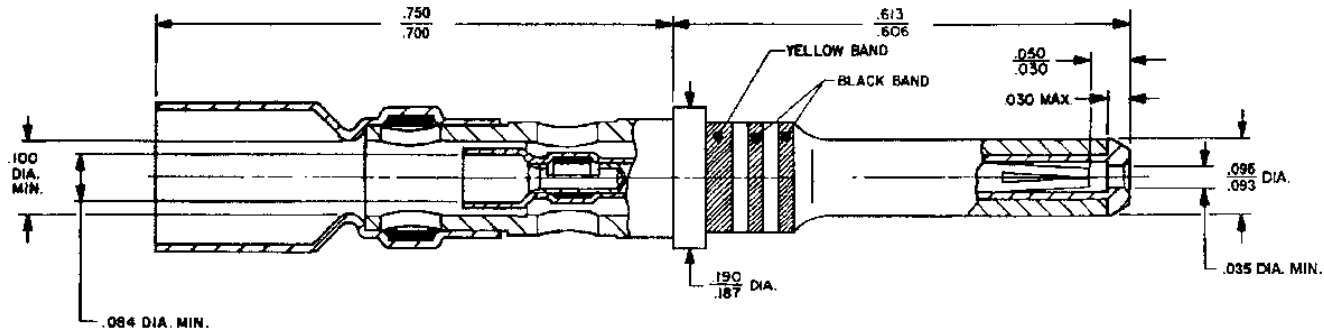


REVISIONS		DATE	APPROVED
D	REDRAWN AND REVISED DCO# 01547		307
E	ADDED NOTE 7, DCO# 01781	7/1/82	309
F	REVISED PER E.O. D-1023	1-11-84	107
G	REVISED PER ECN T-06100	1-17-84	A. HIGGY
H	REVISED PER ECN T-7641	11-18-84	A. HIGGY
J	REVISED PER ECN# T-18724	8/30/85	M. HIGGY
K	REVISED PER ECN# T-19559	8/11/85	A. HIGGY



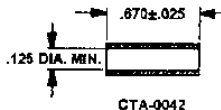
CABLE APPLICATION	
RG CABLE	RAYCHEM CABLE
RG 174 U	5024 AIXIX
RG 178 B/U	7528 AIXIX
RG 179 B/U	9530 AIXIX
RG 316 U	9532 AIXIX
OTHER APPLICATIONS SHOULD BE SUBMITTED TO RAYCHEM FOR EVALUATION.	

#### REQUIREMENTS:

- 1a. CONTACT MATERIAL: COPPER ALLOY PER QQ-B-626 & QQ-C-530.
- 1b. INSULATOR MATERIAL: FLUOROPOLYMER
2. PLATING: GOLD PER MIL-G-45204, NICKEL, PER QQ-N-290, OVER COPPER.
3. MAXIMUM OPERATING TEMPERATURE: 130°C.
4. PERFORMANCE REQUIREMENTS PER MIL-C-39029 EXCEPT AS FOLLOWS:
  - A. THERMAL SHOCK: THE HIGH TEMPERATURE FOR THIS TEST SHALL BE 130°C (MIL-STD-202, METHOD 107, TEST CONDITION A, STEP 3).
  - B. TENSILE STRENGTH: FOR COAX-COMBINED INNER AND OUTER-IS LBS. OR TENSILE STRENGTH OF COAX CABLE.
  - C. CONTACT RESISTANCE: 10 MILLIOHMS MAX., INNER; 8 MILLIOHMS MAX., OUTER (EXCLUDING WIRE RESISTANCE).
  - D. DIELECTRIC WITHSTANDING VOLTAGE: 900 VOLTS RMS MINIMUM.
  - E. INSULATION RESISTANCE: 5000 MEGOHMS MINIMUM.
  - F. ENGAGEMENT FORCE, INNER SOCKET: 16 OZ. MAXIMUM.
  - G. SEPARATION FORCE, INNER SOCKET: 0.5 OZ. MINIMUM.

#### NOTES:

1. THIS CONTACT IS DESIGNED FOR USE IN MIL-C-83723 SERIES 3 TYPE B CONNECTORS.
2. THIS CONTACT IS DESIGNED TO TERMINATE TO THE CABLES IN THE ABOVE TABLE.
3. INSERTION-EXTRACTION TOOL: M83723-3F-12 OR MS 27534-12.
4. FOR ADDITIONAL REQUIREMENTS SEE MIL-C-39029/74
5. FOR TERMINATION PROCEDURE SEE RAYCHEM SPECIFICATION ES81129
6. MATING CONTACT (FOR SIMILAR CABLES): D-602-0095.
7. TO ACHIEVE AN ENVIRONMENTAL SEAL IN A MIL-C-83723 CONNECTOR, USING RG-178 CABLE, INSTALL RAYCHEM PART NO. CTA-0042 IMMEDIATELY ADJACENT TO THE END OF THE METALLIC BODY.



CTA-0042

If this document is printed it becomes uncontrolled.  
Check for the latest revision.

DO NOT SCALE THIS DRAWING

#### CONNECTOR SPECIFICATION CONTROL DRAWING

UNLESS OTHERWISE SPECIFIED DIMENSIONS ARE IN INCHES BRACKETED DIMENSIONS ( ) ARE METRIC AND TOLERANCES ARE:  XX ± ( ) XX ± ( ) Δ ± ( )	DRAWN	B. DEASY	3-19-80	Raychem <small>Raychem Corporation 300 Conestoga Drive Mills Park, CA 94021-0024</small>	
	CHECKED				
	APPROVED				
	APPROVED	L. VANDERKAM	18 MAY 87		
	CAD NAME	802-0084.PCX		TITLE	CONTACT, COAXIAL PIN
		503-029		SIZE	A
				CODE IDENT	NO. 08080
				DWG. NO.	D-602-0094
				WEIGHT	1.30 GRAMS MAX.
					SHEET 1 OF 1