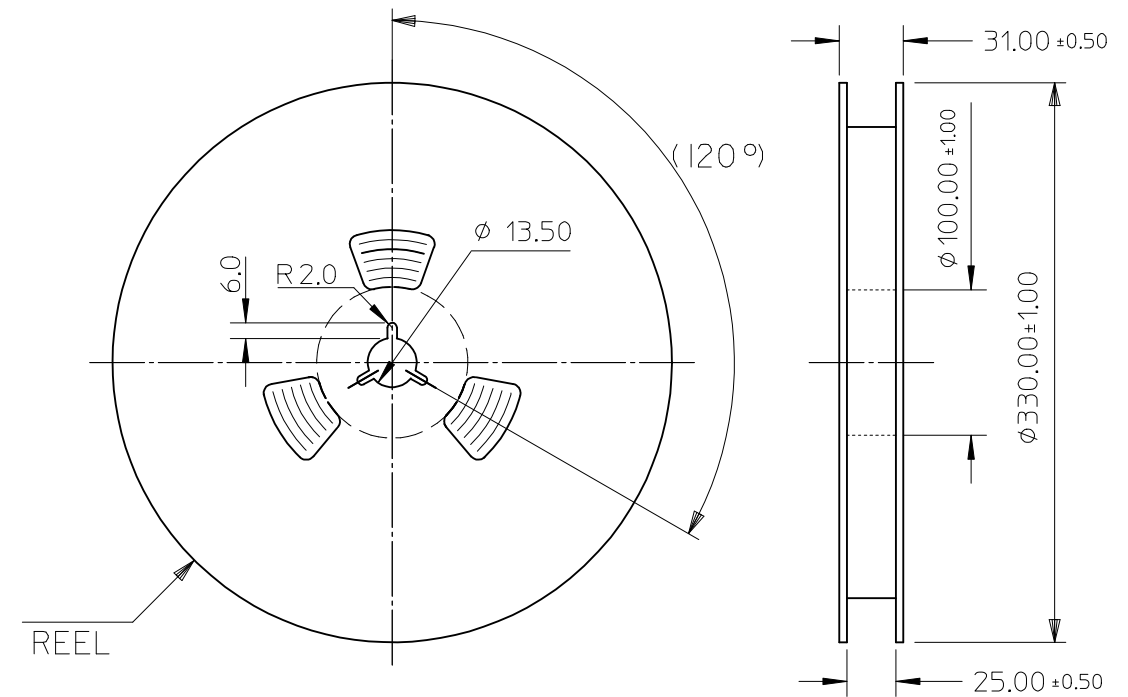
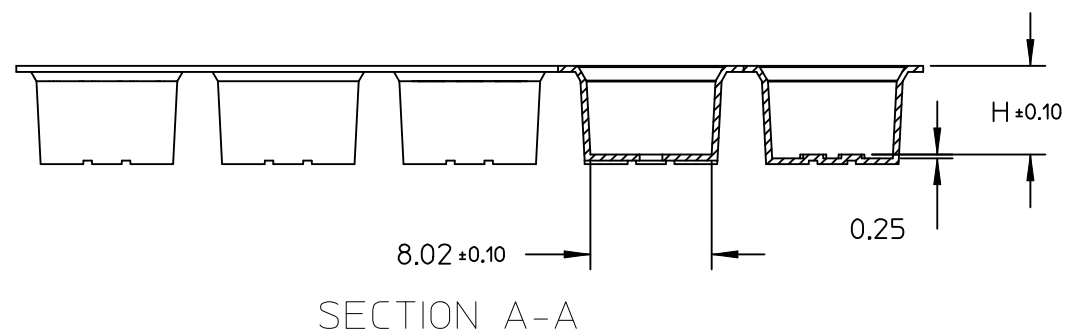
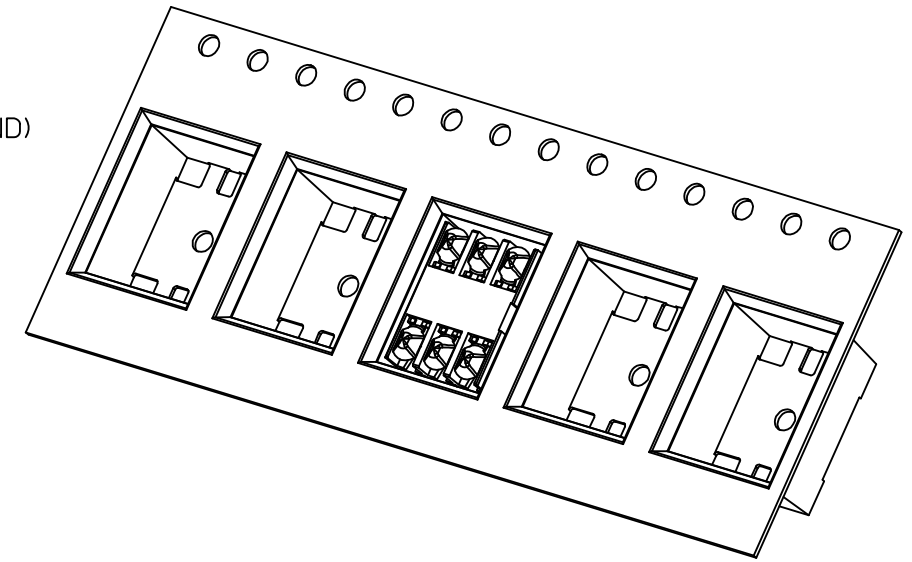
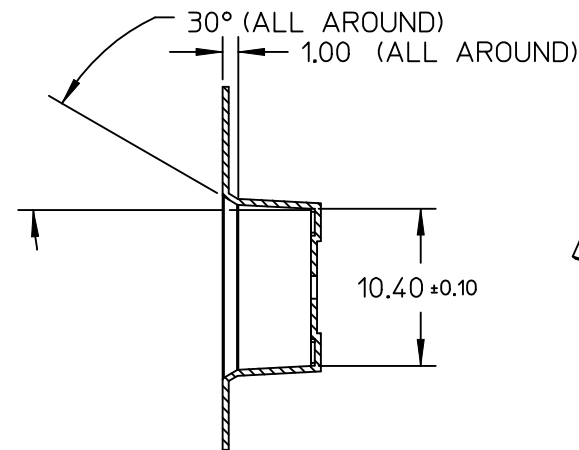
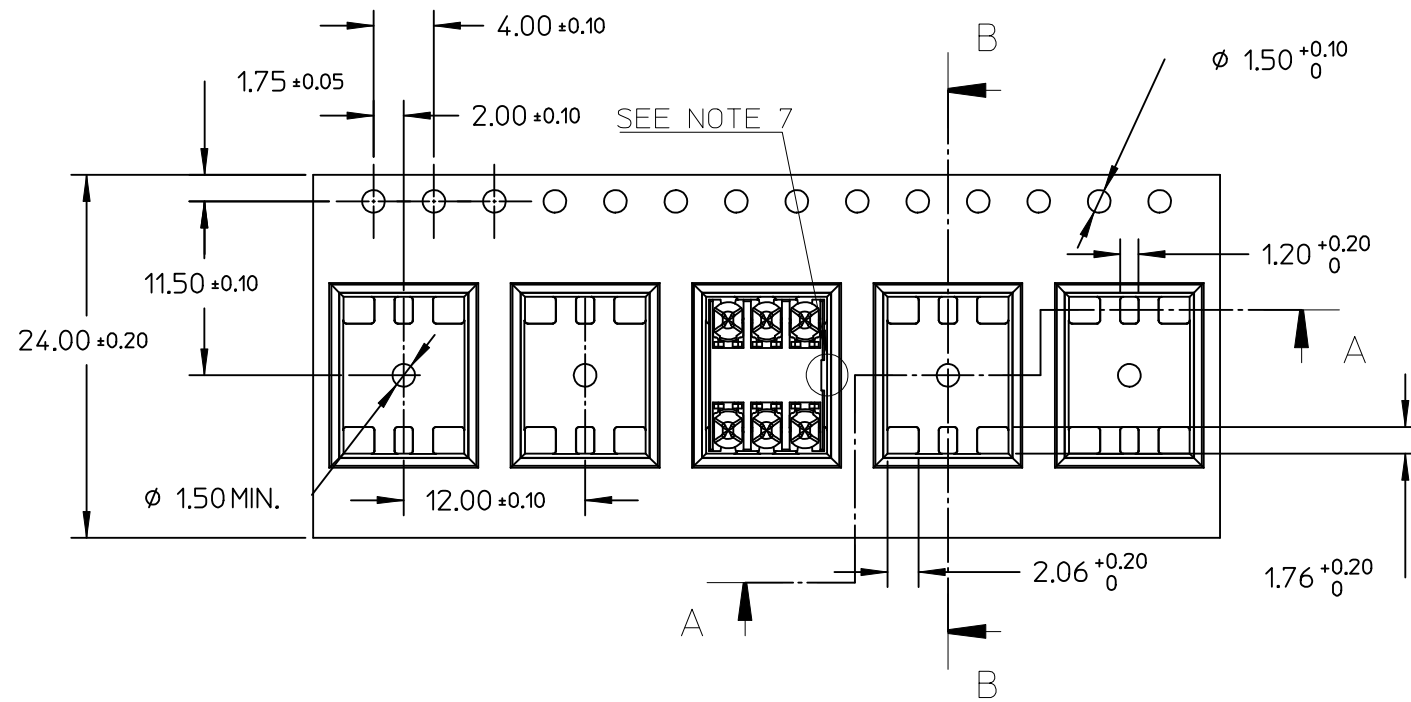


- TAPE BREAK FORCE:10N MIN
- TOP COVER TAPE STRENGTH:10N MIN
- TOP COVER TAPE PEEL FORCE:0.1--1.3N AT A PEEL SPEED OF 300±10 mm/min
- ANGLE BETWEEN THE COVER TAPE AND THE DIRECTION OF FEED DURING PEEL OFF:165--180°

NOTES :
1 STAPLES SHOULD ONLY BE USED TO SET UP CARTON.
ALL CARTONS CLOSURES MUST BE DONE WITH TAPE.
2 FILL PACKAGING REEL WITH THE QUANTITIES AS INDICATED IN THE CHART ON SHEET 3
3 REEL SIZE : 13"(330mm)

DOCUMENT MAINTENANCE EC NO: S2014-0004 DRWN: JZENG CHKD: JTAN02 APPR: KHLIM	2013/07/17	QUALITY SYMBOLS ▽=0 ▽=0	GENERAL TOLERANCES (UNLESS SPECIFIED)		DIMENSION STYLE MM ONLY		SCALE 12:1	DESIGN UNITS METRIC	THIRD ANGLE PROJECTION	
	2013/08/12		mm	INCH	DRAWN BY JLU	DATE 2004/03/21	TITLE PACKAGING SCALABLE SIM CONNECTOR 1.5MM TO 5MM			
	2013/08/13		4 PLACES ± ---	± ---	CHECKED BY YJWU	DATE 2004/03/21				
	REV		DESCRIPTION	3 PLACES ± ---	± ---	APPROVED BY SHUANG	DATE 2004/03/21	MOLEX INCORPORATED		
	D2			2 PLACES ± 0.10	± ---	MATERIAL NO. SEE PAGE 3	DOCUMENT NO. PK-47019-001			
		1 PLACE ± 0.2	± ---	DRAFT WHERE APPLICABLE MUST REMAIN WITHIN DIMENSIONS		THIS DRAWING CONTAINS INFORMATION THAT IS PROPRIETARY TO MOLEX INCORPORATED AND SHOULD NOT BE USED WITHOUT WRITTEN PERMISSION				



NOTE:

1. 10 sprocket hole pitch cumulative tolerance ±0.20 .
2. Carrier camber is within 1 mm in 250mm.
3. Material : Black Conductive Polystyrene Alloy (UP-6100).
4. All dimensions meet EIA-481-B requirements.
5. Thickness : 0.40±0.05mm.
6. Draft angle: 3°
7. Housing slot is not for polarization, at opposite side allowed

REEL PART NUMBER : 885963221

REEL DIMENSION REFERENCE ONLY

SEE SHEET 1 EC NO: S2014-0004 DRWN: JZENG CHKD: JTAN02 APPR: KHLIM	2013/07/17 2013/08/12 2013/08/13	DESCRIPTION REV	QUALITY SYMBOLS	GENERAL TOLERANCES (UNLESS SPECIFIED)		DIMENSION STYLE		SCALE	DESIGN UNITS	THIRD ANGLE PROJECTION
			$\blacktriangledown = 0$ $\triangleleft = 0$	mm	INCH	MM ONLY	2:1	METRIC	TITLE PACKAGING SCALABLE SIM CONNECTOR 1.5MM TO 5MM MOLEX INCORPORATED DOCUMENT NO. PK-47019-001 SHEET NO. 2 OF 3	
			4 PLACES ± --- ± ---			DRAWN BY	DATE			
			3 PLACES ± --- ± ---			CHECKED BY	DATE			
2 PLACES ± 0.10 ± ---			APPROVED BY	DATE						
1 PLACE ± 0.2 ± ---			SHUANG	2004/03/21	MATERIAL NO.		SEE PAGE 3			
			ANGULAR ± 2 °	DRAFT WHERE APPLICABLE MUST REMAIN WITHIN DIMENSIONS		THIS DRAWING CONTAINS INFORMATION THAT IS PROPRIETARY TO MOLEX INCORPORATED AND SHOULD NOT BE USED WITHOUT WRITTEN PERMISSION				

F

F

E

E

D

D

C

C

B

B

A

A

TBD	470193201	470193202	4.20	1150	5	5750	11500
TBD	470193101	470193102	4.10	1200	5	6000	12000
TBD	470193001	470193002	4.00	1250	5	6250	12500
TBD	470192901	470192902	3.90	1300	5	6500	13000
TBD	470192801	470192802	3.80	1350	5	6750	13500
TBD	470192701	470192702	3.70	1400	5	7000	14000
TBD	470192601	470192602	3.60	1450	5	7250	14500
887962394	470192501	470192502	3.20	1500	5	7500	15000
887962394	470192401	470192402	3.20	1500	5	7500	15000
887962394	470192301	470192302	3.20	1500	5	7500	15000
887962394	470192201	470192202	3.20	1500	5	7500	15000
TBD	470192101	470192102	3.10	1600	5	8000	16000
887962395	470192001	470192002	3.00	1600	5	8000	16000
887962396	470191901	470191902	2.90	1700	5	8500	17000
887962395	470191801	470191802	3.00	1800	5	9000	18000
887962397	470191701	470191702	2.70	1800	5	9000	18000
887962397	470191601	470191602	2.70	1800	5	9000	18000
887962397	470191501	470191502	2.70	1800	5	9000	18000

TBD	470195001	470195002	6.00	800	5	4000	8000
TBD	470194901	470194902	5.90	800	5	4000	8000
TBD	470194801	470194802	5.80	800	5	4000	8000
TBD	470194701	470194702	5.70	800	5	4000	8000
TBD	470194601	470194602	5.60	850	5	4250	8500
TBD	470194501	470194502	5.50	850	5	4250	8500
TBD	470194401	470194402	5.40	850	5	4250	8500
TBD	470194301	470194302	5.30	900	5	4500	9000
TBD	470194201	470194202	5.20	900	5	4500	9000
TBD	470194101	470194102	5.10	900	5	4500	9000
TBD	470194001	470194002	5.00	950	5	4750	9500
TBD	470193901	470193902	4.90	950	5	4750	9500
TBD	470193801	470193802	4.80	950	5	4750	9500
TBD	470193701	470193702	4.70	1000	5	5000	10000
TBD	470193601	470193602	4.60	1000	5	5000	10000
TBD	470193501	470193502	4.50	1000	5	5000	10000
TBD	470193401	470193402	4.40	1050	5	5250	10500
TBD	470193301	470193302	4.30	1100	5	5500	11000

CARRIER TAPE PART NUMBER	COMPONENT PART NUMBER	DIM. H	PARTS/ REEL	REELS/ CARTON	PARTS PER PRIMARY CARTON	PARTS PER SHIPPING CARTON	CARRIER TAPE PART NUMBER	COMPONENT PART NUMBER	DIM. H	PARTS/ REEL	REELS/ CARTON	PARTS PER PRIMARY CARTON	PARTS PER SHIPPING CARTON
--------------------------	-----------------------	--------	-------------	---------------	--------------------------	---------------------------	--------------------------	-----------------------	--------	-------------	---------------	--------------------------	---------------------------

SEE SHEET 1 EC NO: S2014-0004 DRWN: JZENG 2013/07/17 CHKD: JIAN02 2013/08/12 APPR: KHL IM 2013/08/13	QUALITY SYMBOLS ▽=0 ▽C=0	GENERAL TOLERANCES (UNLESS SPECIFIED)		DIMENSION STYLE MM ONLY		SCALE 12:1	DESIGN UNITS METRIC	THIRD ANGLE PROJECTION		
						DRAWN BY JLU		DATE 2004/03/21		TITLE PACKAGING SCALABLE SIM CONNECTOR 1.5MM TO 5MM MOLEX INCORPORATED
						CHECKED BY YJWU		DATE 2004/03/21		
						APPROVED BY SHUANG		DATE 2004/03/21		
		ANGULAR ± 2 °		MATERIAL NO.		DOCUMENT NO.				
DRAFT WHERE APPLICABLE MUST REMAIN WITHIN DIMENSIONS				SEE TABLE		PK-47019-001		SHEET NO. 3 OF 3		
THIS DRAWING CONTAINS INFORMATION THAT IS PROPRIETARY TO MOLEX INCORPORATED AND SHOULD NOT BE USED WITHOUT WRITTEN PERMISSION										