

Product data sheet

Specifications



Photoelectric sensors XU, accessory for sensor, 3D fixing kit, bracket with ball joint, XUK

XUZK2003

Main

Range of product	Telemecanique Photoelectric sensors XU
Accessory / separate part category	Mounting and fixing accessories
Accessory / separate part type	Fixing bracket
Accessory / separate part destination	Compact 50 x 50 mm sensor

Complementary

Product compatibility	XUK XUZC50
Protective cover	Without
Product weight	0.17 kg

Packing Units

Unit Type of Package 1	PCE
Number of Units in Package 1	1
Package 1 Height	3.0 cm
Package 1 Width	7.5 cm
Package 1 Length	4.5 cm
Package 1 Weight	180.0 g
Unit Type of Package 2	S01
Number of Units in Package 2	16
Package 2 Height	15 cm
Package 2 Width	15 cm
Package 2 Length	40 cm
Package 2 Weight	3.093 kg
Unit Type of Package 3	P06
Number of Units in Package 3	512
Package 3 Height	75 cm
Package 3 Width	40 cm
Package 3 Length	80 cm

Package 3 Weight	117.16 kg
------------------	-----------

Offer Sustainability

Sustainable offer status	Green Premium product
--------------------------	-----------------------

REACH Regulation	REACH Declaration
------------------	-----------------------------------

EU RoHS Directive	Pro-active compliance (Product out of EU RoHS legal scope) EU RoHS Declaration
-------------------	---

Mercury free	Yes
--------------	-----

RoHS exemption information	Yes
----------------------------	-----

Environmental Disclosure	Product Environmental Profile
--------------------------	---

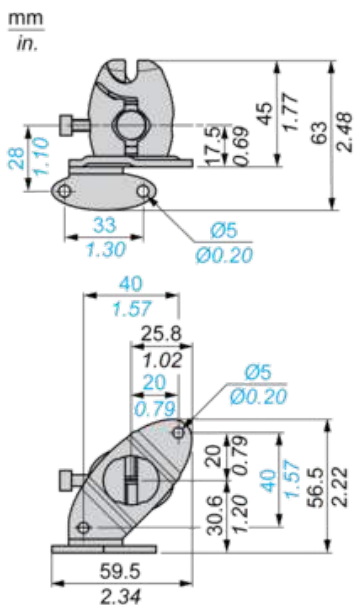
Circularity Profile	End of Life Information
---------------------	---

California proposition 65	WARNING: This product can expose you to chemicals including: Diisononyl phthalate (DINP), which is known to the State of California to cause cancer, and Di-isodecyl phthalate (DIDP), which is known to the State of California to cause birth defects or other reproductive harm. For more information go to www.P65Warnings.ca.gov
---------------------------	---

Contractual warranty

Warranty	18 months
----------	-----------

Dimensions



Recommended replacement(s)