



Electrical specifications

Center Frequency: 3500 MHz
Passband frequencies: 3000 MHz to 4000 MHz (BW=1000 MHz)
Insertion loss of Passband: 1 dB max
Low side rejection frequencies: 60 dB@ bellow 2800 MHz
High side rejection frequencies: 60 dB2 above 4200 MHz
Return loss: VSWR (1.5:1) max
Nominal impedance: 50 Ohm
Power handling: 5 Watts

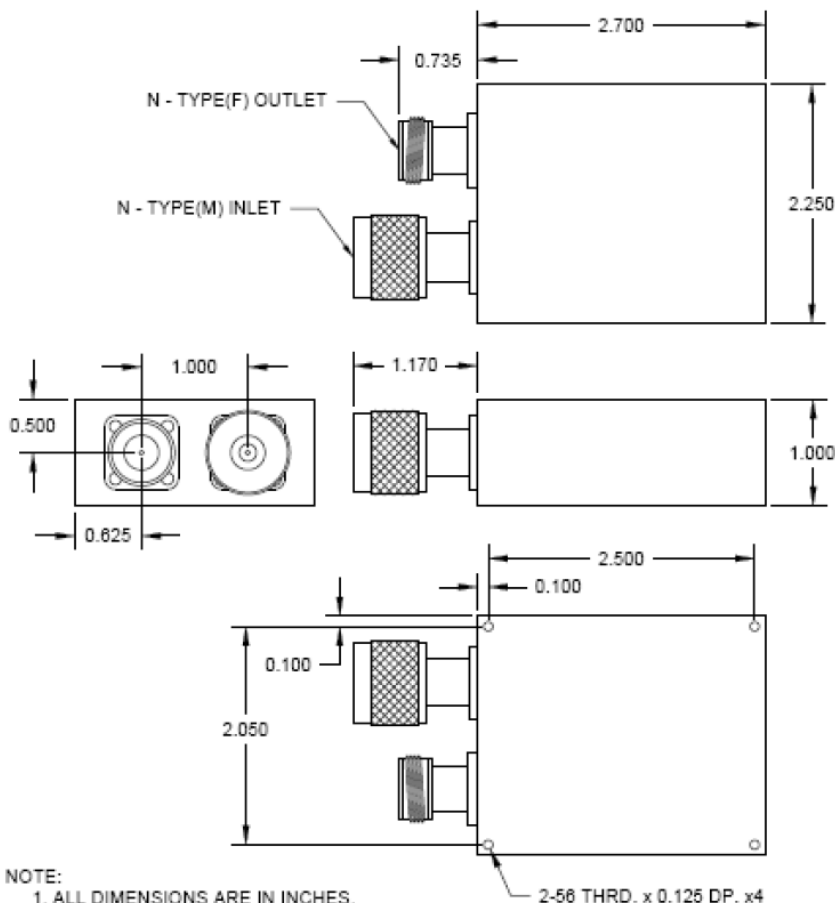
Mechanical

Mounting Method: Threaded Mounting Holes
Connector Type: N-type Female, N-type male
Dimensions: 2.70" x 2.25" x 1.00" in

Environmental

Operating Temperature: -45 to +85° C
Storage Temperature: -55 to +95° C
Shock: 20 G. 11ms
Vibration: 20 G. 5 to 200 MHz

Outline Drawing:





ANATECH ELECTRONICS INC
RF & Microwave Filters & Products

3500 MHz Cavity Bandpass Filter

Part Number: AE3500B10731



Plots:

