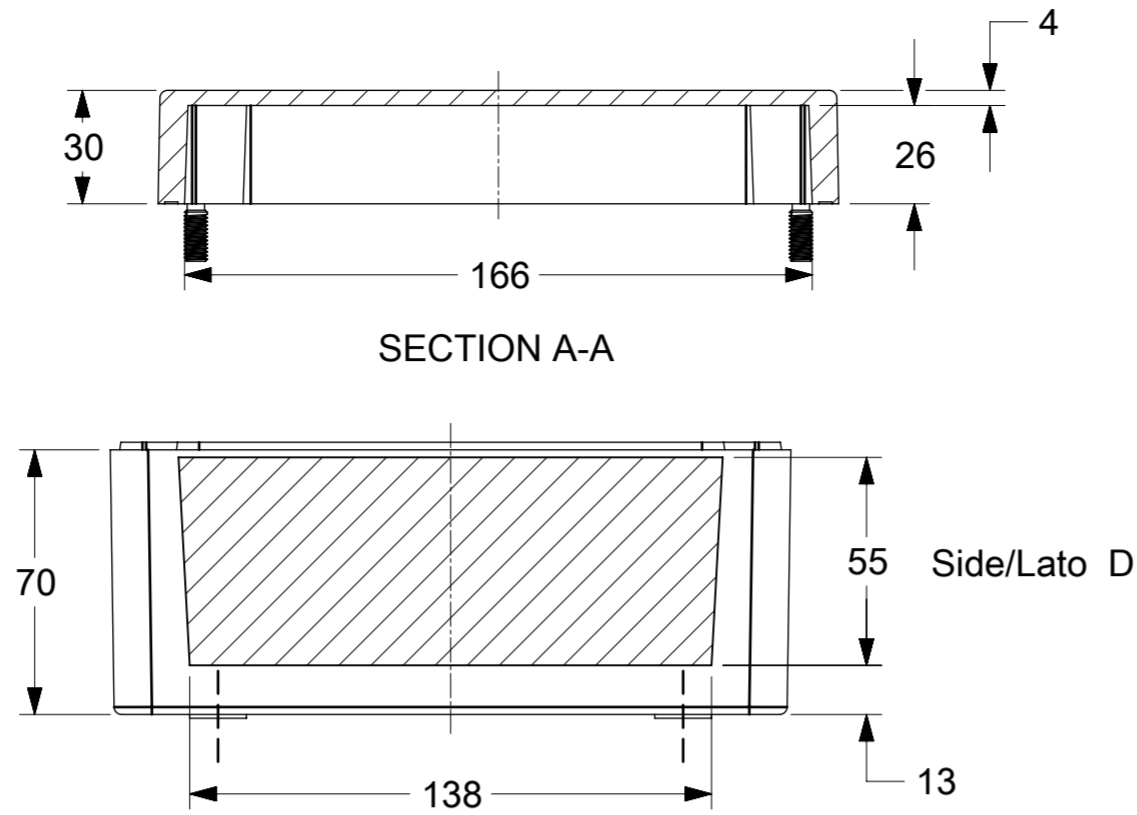
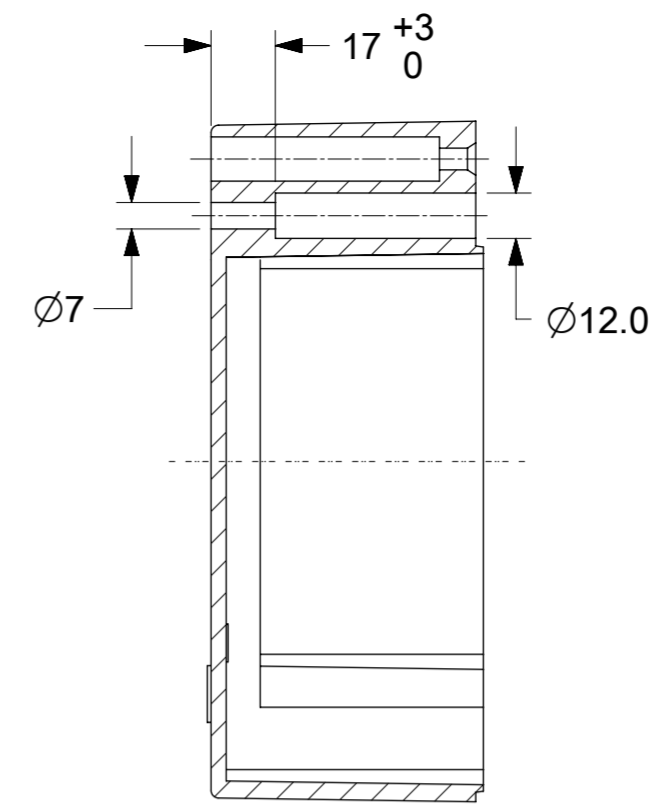


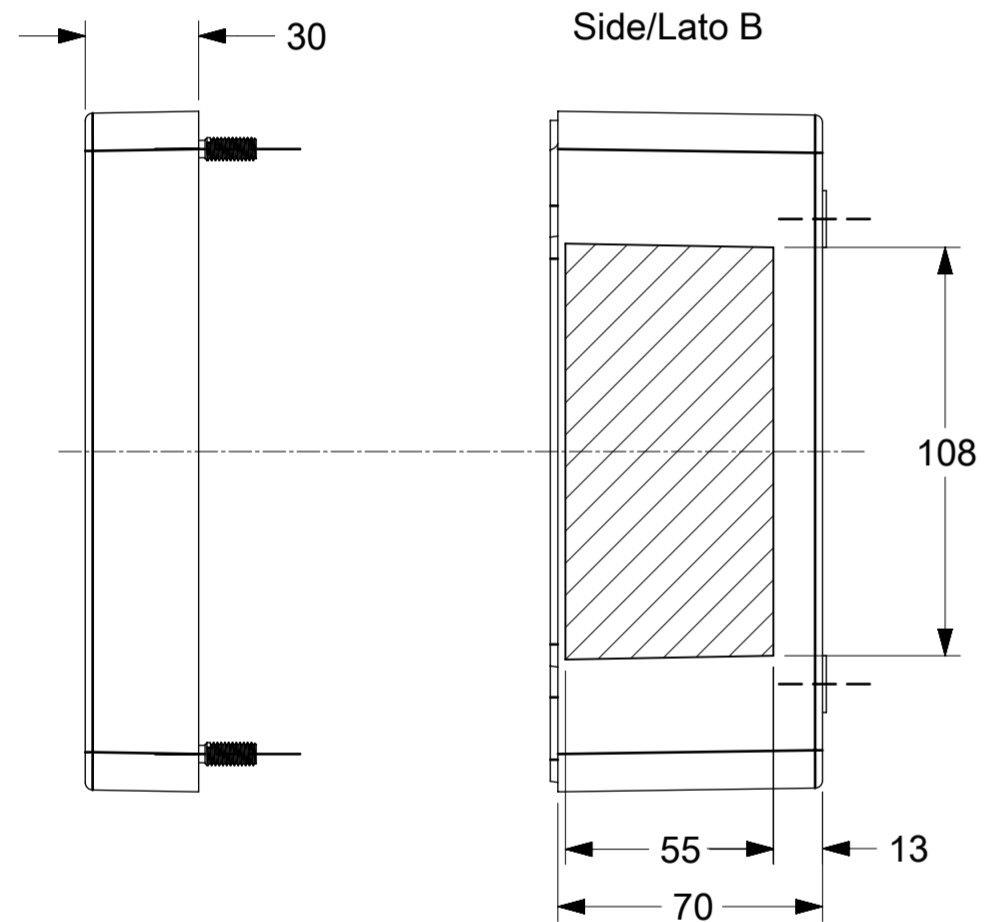
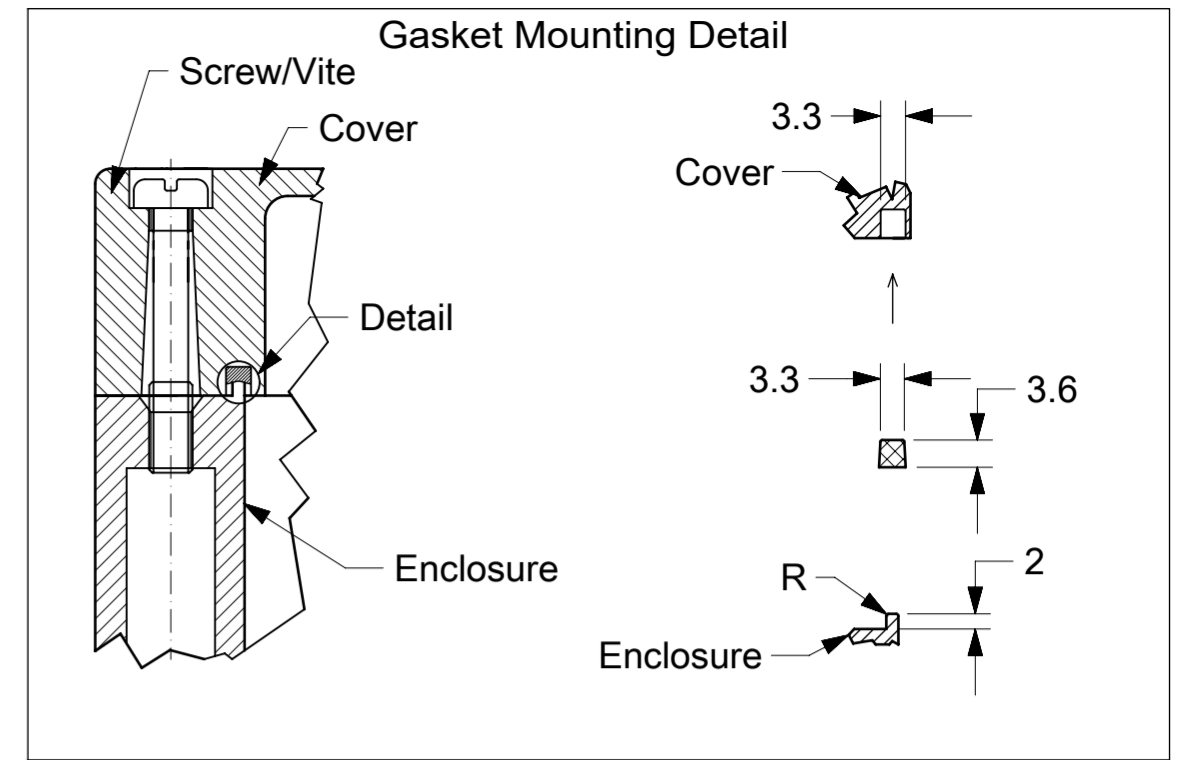
SECTION B-B



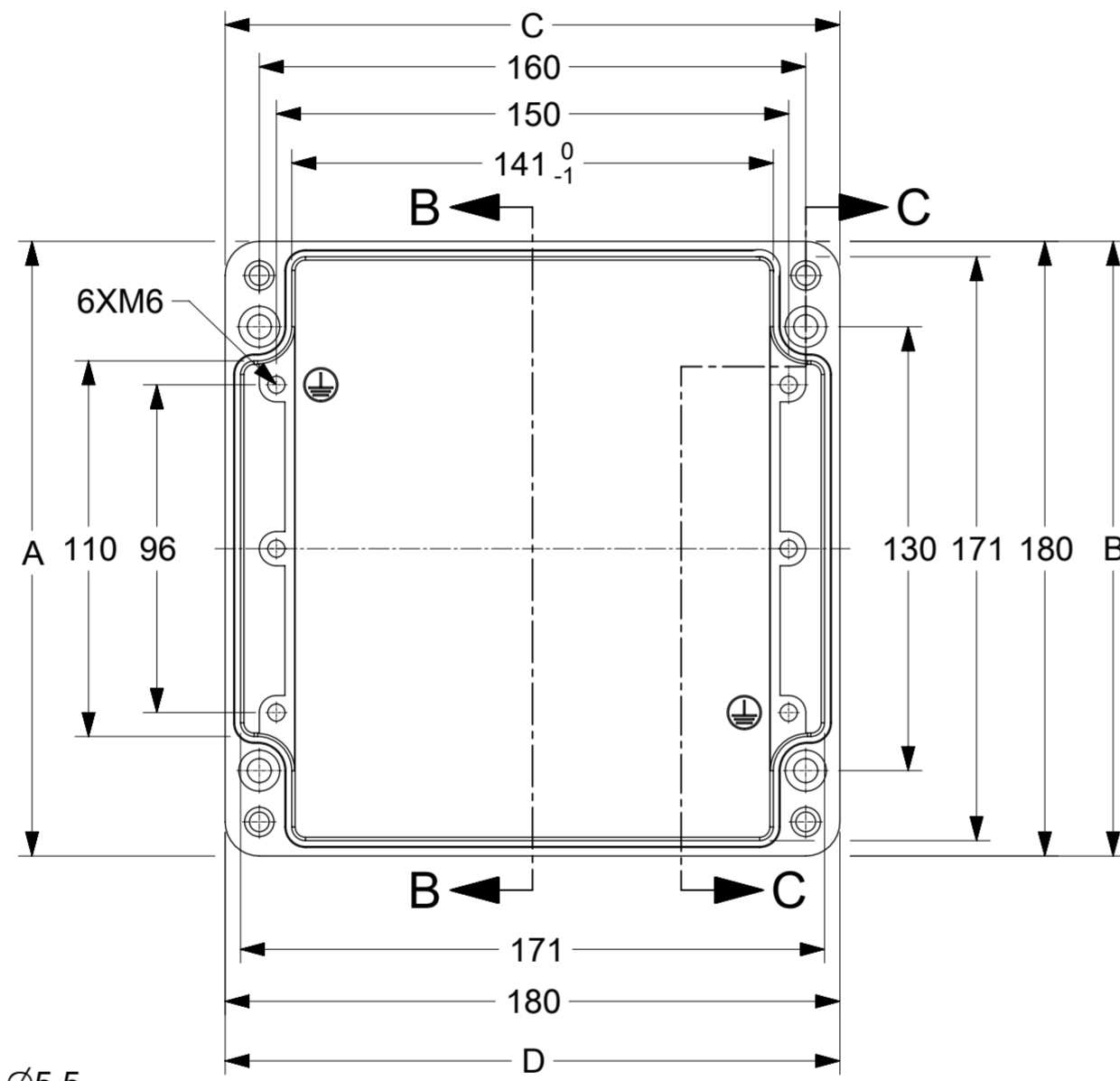
SECTION A-A



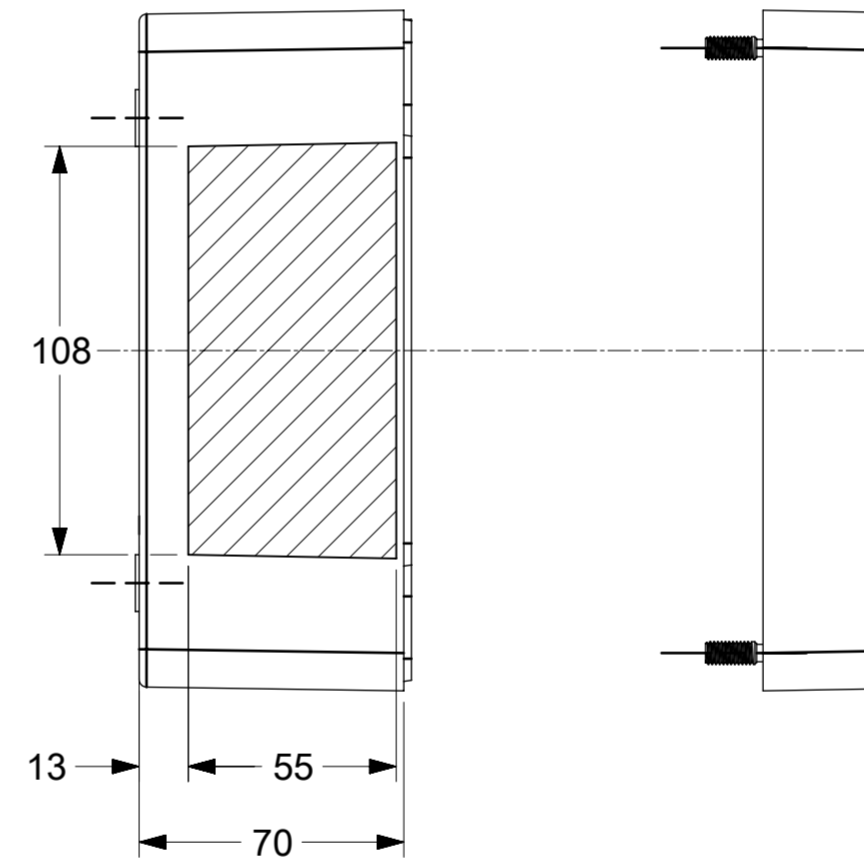
SECTION C-C



Side/Lato B

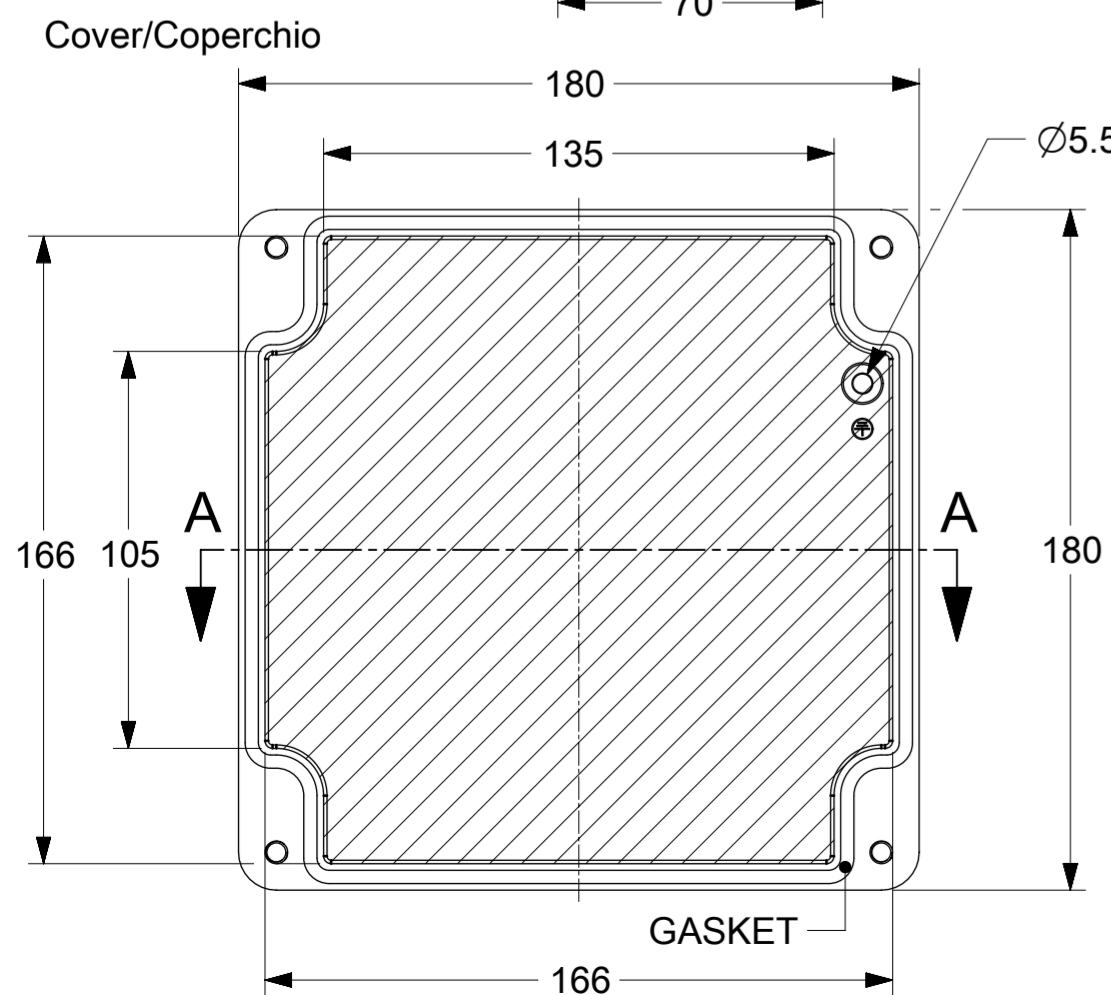


Side/Lato A

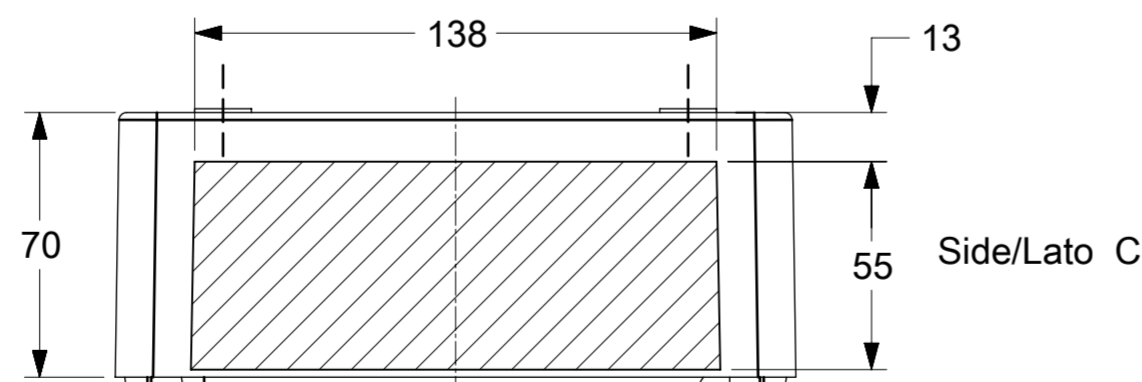


NOTE:

- SUITABLE AREAS FOR DRILLING AND THREADING OPERATIONS
- ENCLOSURE SUPPLIED WITH No. 4 COMBI FIXING SCREW M6x35



Cover/Coperchio



Side/Lato C

SAP.No.	Eng.No.	COLOR
0936040133	8100.8030.0	GREY RAL7001
0936040178	8100.8130.0	LIGHT GREY RAL7035
0936040225	8100.8230.5	NOT PAINTED
0936040296	8100.8330.1	BLACK RAL9005

FUNCTIONAL SYMBOLS $F_A = 0$ $F_C = 0$ $F_P = 0$ DIVISIONAL SYMBOLS	THIS DRAWING CONTAINS INFORMATION THAT IS PROPRIETARY TO MOLEX ELECTRONIC TECHNOLOGIES, LLC AND SHOULD NOT BE USED WITHOUT WRITTEN PERMISSION		CURRENT REV DESC: FIRST RELEASE	
	DIMENSION UNITS	SCALE	EC NO: 707681	
	mm	1:2	DRWN: DMERONI	2021/01/19
	GENERAL TOLERANCES (UNLESS SPECIFIED)		CHK'D: DMERONI	2021/01/25
ANGULAR TOL $\pm 1.0^\circ$		APPR: RSILLER	2022/05/24	
4 PLACES \pm		INITIAL REVISION:		
3 PLACES \pm		DRWN: DMERONI	2021/01/19	
2 PLACES ± 0.1		APPR: RSILLER	2022/05/24	
1 PLACE ± 0.2		DOCUMENT NUMBER		
0 PLACES ± 0.3		936040133		
DRAFT WHERE APPLICABLE MUST REMAIN WITHIN DIMENSIONS		FIRST ANGLE PROJECTION	DRAWING	SERIES
			A2-SIZE	93604
		MATERIAL NUMBER	CUSTOMER	SHEET NUMBER
		SEE TABLE	GENERAL MARKET	1 OF 1

molex

ALUMINIUM BOX 180X180X101 SERIES

PRODUCT CUSTOMER DRAWING

DOC TYPE | DOC PART | REVISION
PSD | 000 | A