

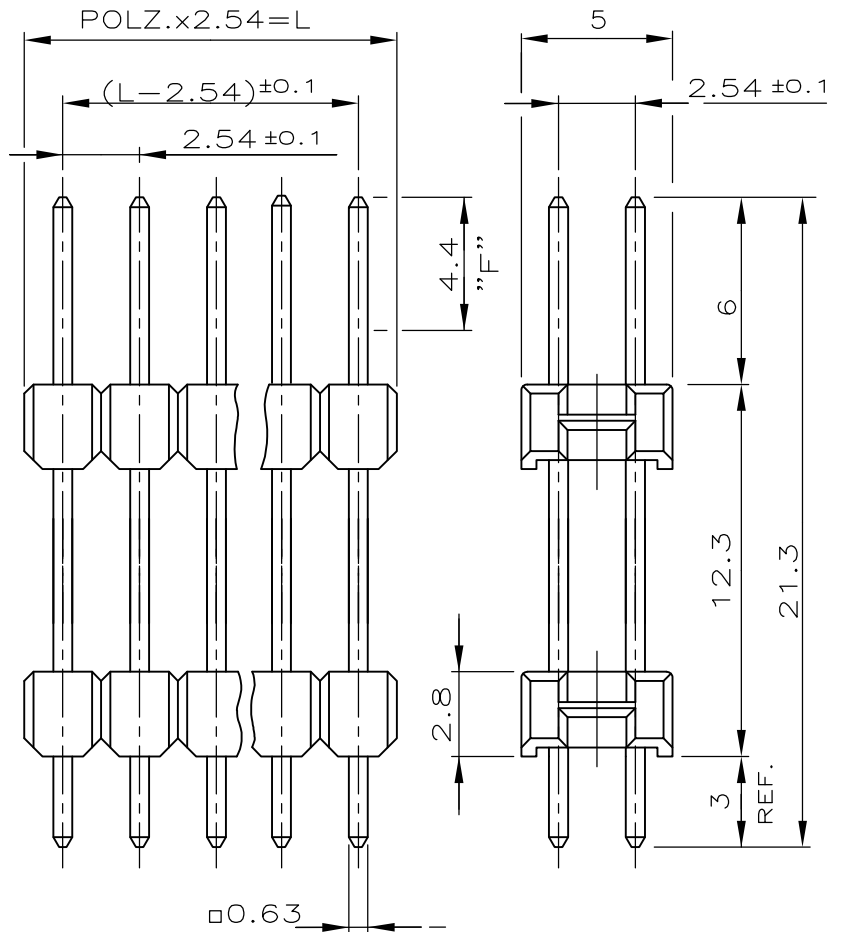
LOC	DIST	REVISIONS			DATE	DWN	APVD
—	—	P	LTR	DESCRIPTION			
		E		Contact pin base material change from CuSn (Phosphor bronze) to CuZn (Brass). Plating change from MIN. 0.8µm gold plating to min. 0.7µm Pd Ni + 0.1µm gold flash at contact area (Area F).	22JUL2014	TJ	JK

VERWENDET FÜR  
E 88-52 549

POLZ. PRO REIHE	L±0.4	BESTELL-NR.
—	—	—
2	5.08	-2
3	7.62	-3
4	10.16	-4
5	12.70	-5
6	15.24	△3 ———— 6
7	17.78	△3 ———— 7
8	20.32	△2 ———— 8
9	22.86	△3 ———— 9
10	25.40	△2 1 ———— 0
11	27.94	△3 1 ———— 1
12	30.48	1 ———— 2
13	33.02	△2 1 ———— 3
14	35.56	△3 1 ———— 4
15	38.10	△2 1 ———— 5
16	40.64	1 ———— 6
17	43.18	1 ———— 7
18	45.72	△3 1 ———— 8
19	48.26	△3 1 ———— 9
20	50.80	2 ———— 0
21	53.34	△2 2 ———— 1
22	55.88	△3 2 ———— 2
23	58.42	2 ———— 3
24	60.96	△3 2 829192 4
25	63.50	△2 2 ———— 5
26	66.04	△2 2 ———— 6
27	68.58	△3 2 ———— 7
28	71.12	2 ———— 8
29	73.66	△3 2 ———— 9
30	76.20	3 ———— 0
31	78.74	△3 3 ———— 1
32	81.28	△3 3 ———— 2
33	83.82	△3 3 ———— 3
34	86.36	△3 3 ———— 4
35	88.90	△3 3 ———— 5
36	91.44	△3 3 ———— 6
37	93.98	△3 3 ———— 7
38	96.52	△3 3 ———— 8
39	99.06	△3 3 ———— 9
40	101.60	4 ———— 0
41	104.14	△3 4 ———— 1
42	106.68	△3 4 ———— 2
43	109.22	△3 4 ———— 3
44	111.76	△3 4 ———— 4
45	114.30	△3 4 ———— 5
46	116.84	4 ———— 6
47	119.38	△3 4 ———— 7
48	121.92	△3 4 ———— 8
49	124.46	△3 4 ———— 9
50	127.00	△2 5 ———— 0

NICHT VERMASSTE KANTEN SIND NICHT MAßSTÄBLICH

- △1 STECKSEITE: IM BEREICH "F" 0.7µm PdNi+0.1µm GOLD FLASH ÜBER 1.27µm NICKEL  
LÖTSEITE: MIN. 2.5µm ZINN ÜBER 1.27µm NICKEL
- △2 OBSOLETE
- △3 OBSOLETE PARTS: OBSOLETE CIS STREAMLINING PER D.RENAUD/D.SINISI



KONTAKTSTIFT	CuZn	△1
STIFTGEHÄUSE	PBT	GRÜN
BENENNUNG	WERKSTOFF	OBERFLÄCHE FARBE

ZEICHNUNG GÜLTIG AB KW 26/90

RELEASED FOR PUBLICATION

ALL RIGHTS RESERVED.

COPYRIGHT - By -

THIS DRAWING IS UNPUBLISHED.

DIMENSIONS: mm	DWN	28.09.88	MATERIAL	SEE TABLE	FINISH	SEE TABLE
	CHK	28.09.88	TE Connectivity			
TOLERANCES UNLESS OTHERWISE SPECIFIED:	APVD	—				
±0.2 mm	PRODUCT SPEC	108-18012	NAME			
0 PLC ± -	APPLICATION SPEC	—	SPEZ. AMPMODU II STIFTLISTE ZWEIREIHIG LOW COST LINE			
1 PLC ± -	WEIGHT	—	SIZE	CAGE CODE	DRAWING NO	RESTRICTED TO
2 PLC ± -	CUSTOMER DRAWING	—	A4	00779	C-829192	—
3 PLC ± -			SCALE	4:1	SHEET	1 OF 1
4 PLC ± -					E	
ANGLES ± -						