

Needle gripper

SNG-V 6 0.8 V-S-5

Part no...:10.01.29.00555

<https://www.schmalz.com/10.01.29.00555>

Home > Vacuum Technology for Automation > Vacuum Components > Special Grippers > Needle Grippers > Needle Grippers SNG-V > SNG-V 6 0.8 V-S-5

Needle gripper "SNG-V", particularly robust version



Number of needles: 6

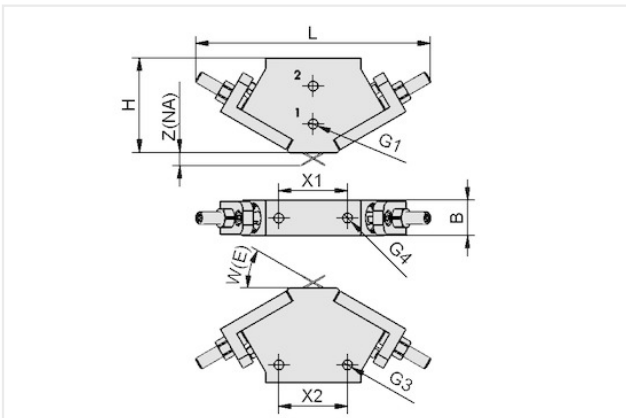
Needle diameter: 0.8 mm

Add. function: Variable stroke

Needle stroke Z(NA): 5 mm

Pressure range (operating pressure): 3.0 ... 6.0 bar

Design Data



Attribute	Value
B	15 mm
G1	M5-F
G3	M5-F
G4	M5-F
H	39.80 mm
L	115 mm
W(E)	30 °
X1	29 mm
X2	29 mm
Z(NA)	5 mm

Technical Data

Attribute	Value
Number of needles	6
Needle diameter	0.80 mm
Pressure range (operating pressure)	3.0 ... 6.0 bar
Operating temperature	5 ... 60 °C
Weight	85 g
Add. function	Variable stroke
Product family	SNG-V

Contact Schmalz

Schmalz Inc. | 5850 Oak Forest Drive, Raleigh, NC 27616, United States | +1 (919) 713-0880 | schmalz.us@schmalz.com

Needle gripper

SNG-V 6 0.8 V-S-5

Part no...:10.01.29.00555

<https://www.schmalz.com/10.01.29.00555>

Accessories



BEF-PL 38x15x11.5 G1/4-IG SNG

Part no...:10.01.29.00403

Pressure range (operating pressure): bar

Length L: 38 mm

Width B: 15 mm

Height H: 11.5 mm

Thread G1: G1/4"-F

Construction use: Needle gripper



HTS-A2 SNG AP/AE OP

Part no...:10.01.29.00622

Pressure range (operating pressure): bar

Length L: 38 mm

Width B: 15 mm

Height H: 9.4 mm

Construction use: Needle gripper

Size: AP/AE



HTS-A3 SNG AP/AE OP

Part no...:10.01.29.00619

Pressure range (operating pressure): bar

Length L: 38 mm

Width B: 15 mm

Height H: 9.4 mm

Construction use: Needle gripper

Size: AP/AE

Needle gripper

SNG-V 6 0.8 V-S-5

Part no...:10.01.29.00555

<https://www.schmalz.com/10.01.29.00555>



HPS-SNG 2M6 AP/AE OP

Part no...:10.01.29.00666

Construction use: Needle gripper

Connection profile: 2x screws M6

Size: AP/AE

Shape: One-piece



STV-GE M5-AG 6

Part no...:10.08.02.00201

Thread G1: M5-M

Hose diameter: 6 mm

Material: Brass

Operating temperature: -20 ... 80 °C

External diameter D: 9.9 mm

Length L: 18.8 mm



STV-W M5-AG 6

Part no...:10.08.02.00296

Pressure range (operating pressure): bar

Length L: 20.8 mm

Height H: 13 mm

Thread G1: M5-M

Needle gripper

SNG-V 6 0.8 V-S-5

Part no.:10.01.29.00555

<https://www.schmalz.com/10.01.29.00555>



VSL 6-4 PU MI-TR

Part no.:10.07.09.00002

External diameter D: 6 mm

Internal diameter d: 4 mm

Length max.: 500 m

Material hose: PU

Bending radius min.: 35 mm

Pressure range (operating pressure): -0.95 ... 10.00 bar

Operating temperature: -20 ... 90 °C

Spare parts



ERS SNG-V 6 0.8 5

Part no.:10.01.29.00556

Construction use: Needle gripper

Size: V

contains: 2 needle wedges mounted

Number of needles: 6

Needle diameter: 0.8 mm

Needle stroke Z(NA): 5 mm