

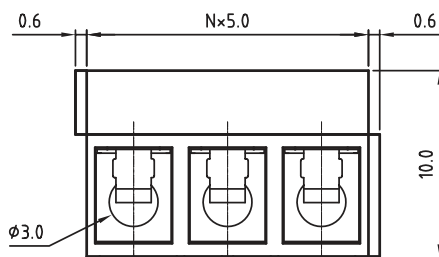
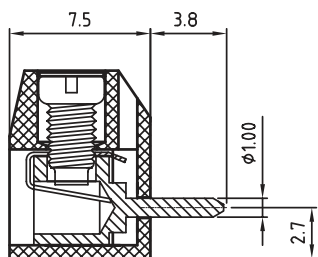
1

2

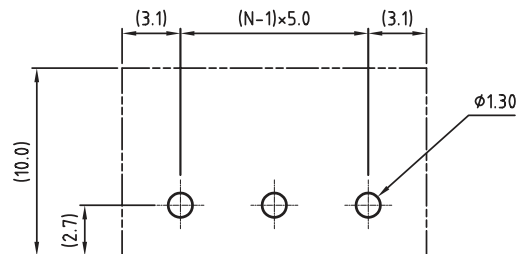
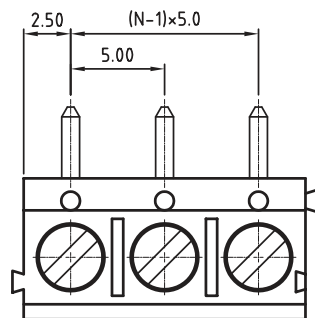
3

4

5



N=Number of contacts



PCB LAYOUT - COMPONENT VIEW

TECHNICAL CHARACTERISTICS

MATERIAL
 INSULATOR: PA 66
 FLAMABILITY RATING: UL94-V0
 COLOR: BLUE
 METAL HOUSING: BRASS (CuZn)
 TERMINAL SCREW SLOT TYPE: "-"
 WIRE GUARD: STAINLESS STEEL
 SOLDER TAIL PLATING: TIN

ENVIRONMENTAL
 OPERATING TEMPERATURE: -40 UP TO 105°C
 COMPLIANCE: LEAD FREE AND ROHS

ELECTRICAL
 CURRENT RATING: 16A
 WORKING VOLTAGE: 250VAC
 WITHSTANDING VOLTAGE: 1.5KV
 CONTACT RESISTANCE: 20 mOhm max

STANDARD
 eULus CERTIFIED E315414

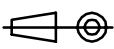

MECHANICAL
 SOLID WIRE: 22-14 AWG / 0.326-2.08 MM²
 STRANDED WIRE: 22-14 AWG / 0.326-2.08 MM²
 TORQUE: 2.6 Lb-In / 0.3 Nm

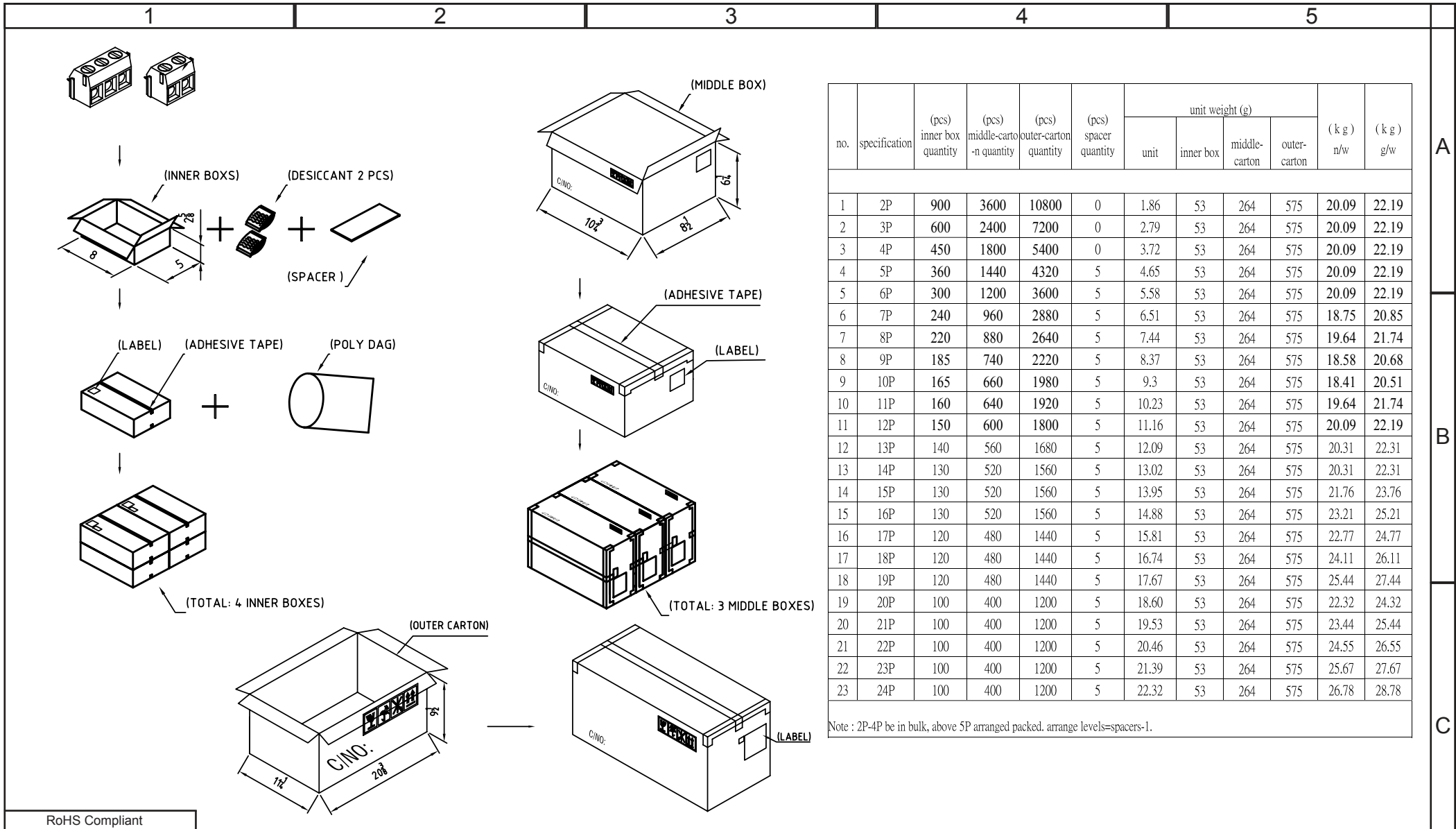
WIRE STRIPE LENGTH: 5-6 MM
 SCREW: M2.6
 PITCH: 5.0 MM

SOLDERING
 JEDEC LEAD FREE WAVE PROCESS ONLY

PACKAGING
 BOX

RoHS Compliant

| | | | | | | | | |
|-----|-----------|-----------|----|--|---|--|--|-------------------|
| G | | | | PROJECTION:  | GENERAL TOLERANCE .X = ± 0.2 .XX = ± 0.15 |  WÜRTH ELEKTRONIK | DESCRIPTION: SERIE 1047 - 5.0MM VERTICAL ENTRY MODULAR WITH PRESSURE CLAMP - WR-TBL | SIZE A4 |
| F | | | | | | | | |
| E | | | | | | | | |
| D | | | | | | | | |
| C | 07-SEP-10 | PACKAGING | JC | | | | | |
| B | 09-OCT-09 | STANDARD | JP | | SCALE: | WERI PART NO: 691 104 700 0xx | | |
| A | 30-OCT-08 | PDF | JP | | SHEET: 1/3 | | | |
| REV | DATE | FILE | BY | | DRAW: MARVIN | | | |



| no. | specification | (pcs) inner box quantity | (pcs) middle-carto -n quantity | (pcs) outer-carton quantity | (pcs) spacer quantity | unit weight (g) | | | | (kg) n/w | (kg) g/w |
|-----|---------------|--------------------------------|--------------------------------------|-----------------------------------|-----------------------------|-----------------|-----------|-------------------|------------------|-------------|-------------|
| | | | | | | unit | inner box | middle- carton | outer- carton | | |
| 1 | 2P | 900 | 3600 | 10800 | 0 | 1.86 | 53 | 264 | 575 | 20.09 | 22.19 |
| 2 | 3P | 600 | 2400 | 7200 | 0 | 2.79 | 53 | 264 | 575 | 20.09 | 22.19 |
| 3 | 4P | 450 | 1800 | 5400 | 0 | 3.72 | 53 | 264 | 575 | 20.09 | 22.19 |
| 4 | 5P | 360 | 1440 | 4320 | 5 | 4.65 | 53 | 264 | 575 | 20.09 | 22.19 |
| 5 | 6P | 300 | 1200 | 3600 | 5 | 5.58 | 53 | 264 | 575 | 20.09 | 22.19 |
| 6 | 7P | 240 | 960 | 2880 | 5 | 6.51 | 53 | 264 | 575 | 18.75 | 20.85 |
| 7 | 8P | 220 | 880 | 2640 | 5 | 7.44 | 53 | 264 | 575 | 19.64 | 21.74 |
| 8 | 9P | 185 | 740 | 2220 | 5 | 8.37 | 53 | 264 | 575 | 18.58 | 20.68 |
| 9 | 10P | 165 | 660 | 1980 | 5 | 9.3 | 53 | 264 | 575 | 18.41 | 20.51 |
| 10 | 11P | 160 | 640 | 1920 | 5 | 10.23 | 53 | 264 | 575 | 19.64 | 21.74 |
| 11 | 12P | 150 | 600 | 1800 | 5 | 11.16 | 53 | 264 | 575 | 20.09 | 22.19 |
| 12 | 13P | 140 | 560 | 1680 | 5 | 12.09 | 53 | 264 | 575 | 20.31 | 22.31 |
| 13 | 14P | 130 | 520 | 1560 | 5 | 13.02 | 53 | 264 | 575 | 20.31 | 22.31 |
| 14 | 15P | 130 | 520 | 1560 | 5 | 13.95 | 53 | 264 | 575 | 21.76 | 23.76 |
| 15 | 16P | 130 | 520 | 1560 | 5 | 14.88 | 53 | 264 | 575 | 23.21 | 25.21 |
| 16 | 17P | 120 | 480 | 1440 | 5 | 15.81 | 53 | 264 | 575 | 22.77 | 24.77 |
| 17 | 18P | 120 | 480 | 1440 | 5 | 16.74 | 53 | 264 | 575 | 24.11 | 26.11 |
| 18 | 19P | 120 | 480 | 1440 | 5 | 17.67 | 53 | 264 | 575 | 25.44 | 27.44 |
| 19 | 20P | 100 | 400 | 1200 | 5 | 18.60 | 53 | 264 | 575 | 22.32 | 24.32 |
| 20 | 21P | 100 | 400 | 1200 | 5 | 19.53 | 53 | 264 | 575 | 23.44 | 25.44 |
| 21 | 22P | 100 | 400 | 1200 | 5 | 20.46 | 53 | 264 | 575 | 24.55 | 26.55 |
| 22 | 23P | 100 | 400 | 1200 | 5 | 21.39 | 53 | 264 | 575 | 25.67 | 27.67 |
| 23 | 24P | 100 | 400 | 1200 | 5 | 22.32 | 53 | 264 | 575 | 26.78 | 28.78 |

Note : 2P-4P be in bulk, above 5P arranged packed. arrange levels=spacers-1.

| | | | |
|----------------|------|------|----|
| RoHS Compliant | | | |
| G | | | |
| F | | | |
| E | | | |
| D | | | |
| C | | | |
| B | | | |
| A | | | |
| REV | DATE | FILE | BY |

| | |
|---------------|-------------------|
| PROJECTION: | GENERAL TOLERANCE |
| | .X = +/- 0.2 |
| | .XX = +/- 0.15 |
| APPROVAL: FBr | UNIT: MM |
| | SCALE: |
| | SHEET: 2/3 |
| | DRAW: PEARL |

WE
WÜRTH ELEKTRONIK

DESCRIPTION: SERIE 1047 - 5.0MM VERTICAL ENTRY MODULAR WITH PRESSURE CLAMP - WR-TBL

WERI PART NO: 691 104 700 0xx

SIZE **A4**

1

2

3

4

5

Cautions and Warnings:

This electronic component is designed and developed with the intention for use in general electronics equipments.

Before incorporating the components into any equipments in the field such as aerospace, aviation, nuclear control, submarine, transportation, (automotive control, train control, ship control), transportation signal, disaster prevention, medical, public information network etc. where higher safety and reliability are especially required or if there is possibility of direct damage or injury to human body, Würth Elektronik must be asked for a written approval.

In addition, even electronic component in general electronic equipments, when used in electrical circuits that require high safety, reliability functions or performance, the sufficient reliability evaluation-check for the safety must be performed before by the user before usage.

A

B

C

RoHS Compliant

| | | | | | | | |
|-----|-----------|------|----|--|---|---|-------------------|
| G | | | | PROJECTION:  | GENERAL TOLERANCE .X = +/- 0.2 .XX = +/- 0.15 |  | |
| F | | | | | | | |
| E | | | | | | | |
| D | | | | | | | |
| C | | | | APPROVAL: JC | UNIT: MM | DESCRIPTION: DISCLAIMER | SIZE A4 |
| B | | | | | SCALE: | | |
| A | 10-SEP-14 | PDF | QL | | SHEET: 3/3 | WERI PART NO: DISCLAIMER | |
| REV | DATE | FILE | BY | | DRAW: QL | | |

D