

1

2

3

4

5

6

7

A

A

B

B

C

C

D

D

E

E

F

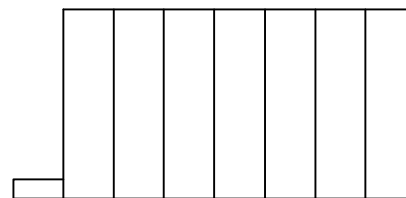
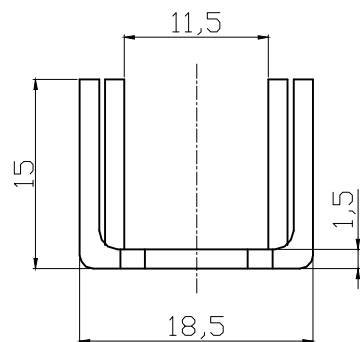
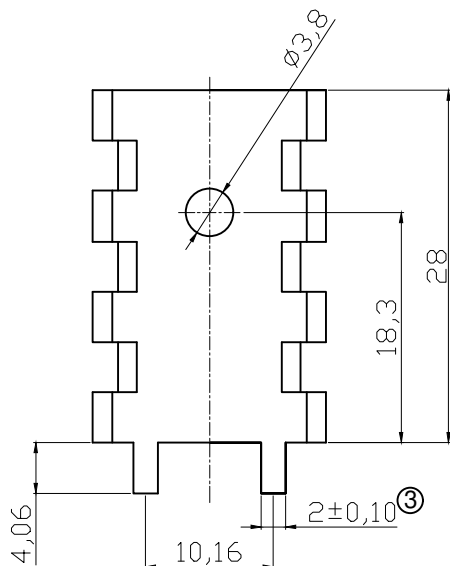
F

G

G

H

H



MATERIAL:
AL 1050 T=1.5mm

P/N	FINISHED:
SN	Tinned plated
E1	BLACK ANODIZED

RoHS compliant
Unit: mm

Scale	Free					Date	Name
⑤ TOLERANCE		⑤	Update	07.06.2013	Amy	Drawn	22.04.2004 Hellwig
Less 10	±0.15	④	Update plating Type (matt tin plating)	19.06.2012	Lucas	Approved	07.06.2013 Amy
10~30	±0.20	③	Add tolerance	19.08.2011	Jason		
31~50	±0.25	②	Update.	28.06.2010	Dean		
51~100	±0.30	①	Drawn	22.04.2004	Hellwig		
DIM	Tol						
Angle	±1°	Id.	Modification	Date	Name		

Customer-No.

ASSMANN WSW-No. **V7238X**Drawing-No. **ASS 0561 HS** rev05

Replace Sheet

1

2

3

4

5

6

7