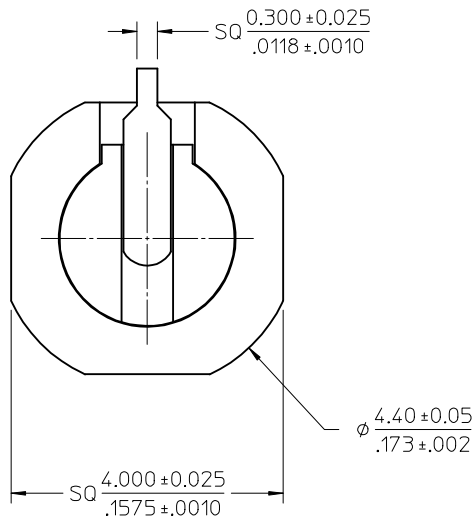
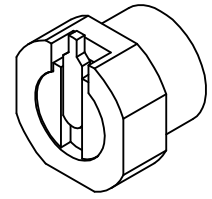


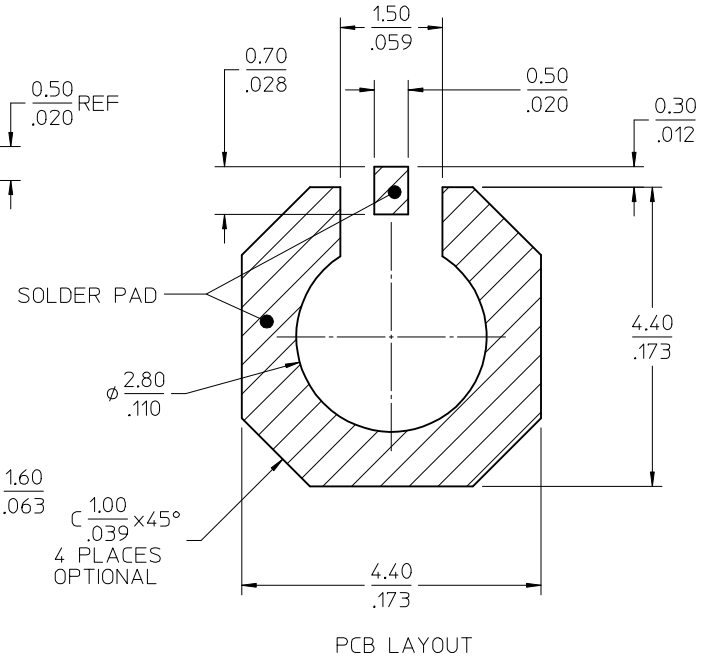
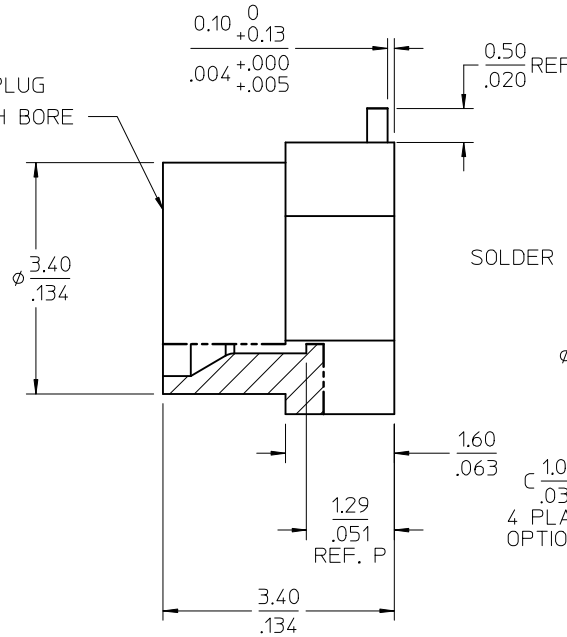
MATERIALS AND FINISHES:

BODY, CENTER CONTACT: BRASS  
 FINISH: GOLD 5u-in MIN OVER  
 NICKEL PHOSPHOR 80u-in MIN

INSULATOR: LCP



SMPM PLUG  
 SMOOTH BORE



73300-0442	TAPE AND REEL WITH KAPTON TAPE
73300-0441	TAPE AND REEL (1500 PCS)
73300-0440	SMPM PLUG SMOOTH BORE INTERFACE (TRAY)
PART NO.	DESCRIPTION

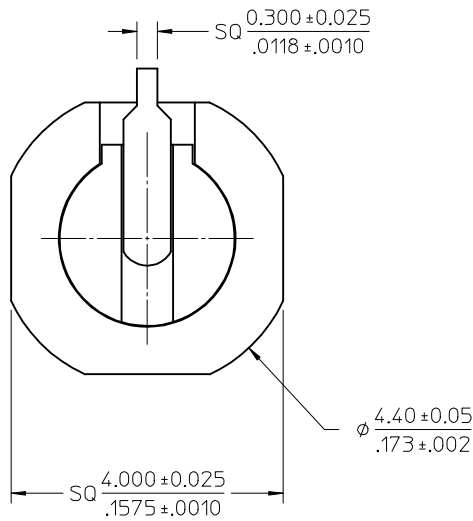
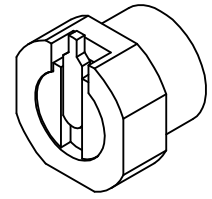
MIL-STD-348A, FIG. 328-3	INTERFACE
SPECIFICATION	DESCRIPTION

CHG: ADDED P/N -0442 EC NO: URF2015-0631 DRWNSHAH 2015/05/12 CHKD:LLM 2015/05/12 APPR:AROBERTSON 2015/05/13 REV A4	QUALITY SYMBOLS ▽=0 ▽=0	GENERAL TOLERANCES (UNLESS SPECIFIED) <table border="1"> <tr> <th></th> <th>mm</th> <th>INCH</th> </tr> <tr> <td>4 PLACES</td> <td>± .005</td> <td>± .0002</td> </tr> <tr> <td>3 PLACES</td> <td>± .004</td> <td>± .00015</td> </tr> <tr> <td>2 PLACES</td> <td>± .003</td> <td>± .0001</td> </tr> <tr> <td>1 PLACE</td> <td>± .002</td> <td>± .000075</td> </tr> </table> ANGULAR ± 2°		mm	INCH	4 PLACES	± .005	± .0002	3 PLACES	± .004	± .00015	2 PLACES	± .003	± .0001	1 PLACE	± .002	± .000075	DIMENSION STYLE MM/IN	SCALE DESIGN UNITS METRIC	THIRD ANGLE PROJECTION
				mm	INCH															
4 PLACES	± .005	± .0002																		
3 PLACES	± .004	± .00015																		
2 PLACES	± .003	± .0001																		
1 PLACE	± .002	± .000075																		
DRAWN BY JLEE02 DATE 2014/06/03 CHECKED BY SSS DATE 2014/06/03 APPROVED BY WSPINK DATE 2014/09/04	TITLE SMPM PLUG, SMT SB PCB VERTICAL 50 OHM EWR-5398, SMPM-PCB/SMT	MATERIAL NO. SEE TABLE	DOCUMENT NO. SD-73300-044	SHEET NO. 1 OF 1																
DRAFT WHERE APPLICABLE MUST REMAIN WITHIN DIMENSIONS																				
THIS DRAWING CONTAINS INFORMATION THAT IS PROPRIETARY TO MOLEX INCORPORATED AND SHOULD NOT BE USED WITHOUT WRITTEN PERMISSION																				

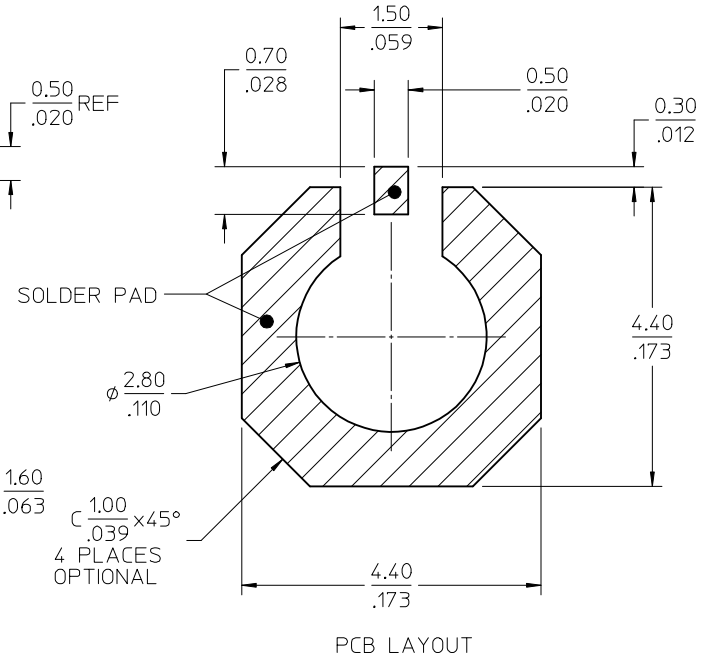
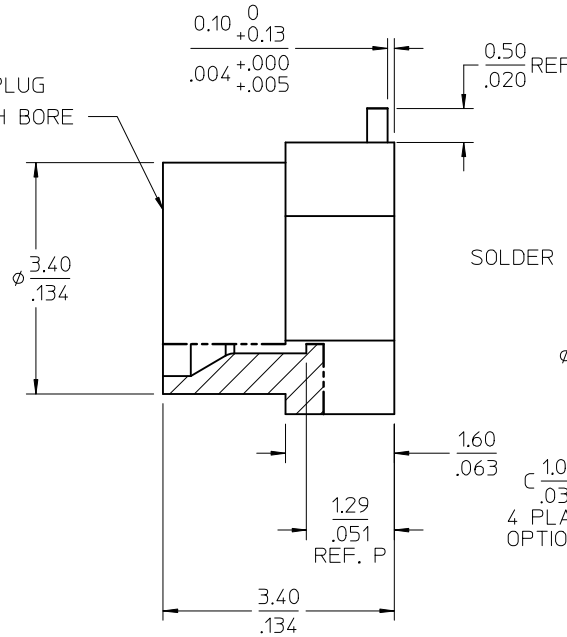
MATERIALS AND FINISHES:

BODY, CENTER CONTACT: BRASS  
 FINISH: GOLD 5u-in MIN OVER  
 NICKEL PHOSPHOR 80u-in MIN

INSULATOR: LCP



SMPM PLUG  
 SMOOTH BORE



73300-0442	TAPE AND REEL WITH KAPTON TAPE
73300-0441	TAPE AND REEL (1500 PCS)
73300-0440	SMPM PLUG SMOOTH BORE INTERFACE (TRAY)
PART NO.	DESCRIPTION

MIL-STD-348A, FIG. 328-3	INTERFACE
SPECIFICATION	DESCRIPTION

CHG: ADDED P/N -0442 EC NO: URF2015-0631 DRWNSHAH 2015/05/12 CHKD:LLM 2015/05/12 APPR:AROBERTSON 2015/05/13	QUALITY SYMBOLS ▽=0 ▽=0	GENERAL TOLERANCES (UNLESS SPECIFIED)		DIMENSION STYLE MM/IN	SCALE	DESIGN UNITS METRIC	THIRD ANGLE PROJECTION	
		4 PLACES ± --- ± --- 3 PLACES ± --- ± --- 2 PLACES ± --- ± --- 1 PLACE ± --- ± ---	mm INCH ± --- ± --- ± --- ± --- ± --- ± --- ± --- ± ---	DRAWN BY JLEE02	DATE 2014/06/03	TITLE SMPM PLUG, SMT SB PCB VERTICAL 50 OHM EWR-5398, SMPM-PCB/SMT	CHECKED BY SSS	DATE 2014/06/03
ANGULAR ± 2°		DRAFT WHERE APPLICABLE MUST REMAIN WITHIN DIMENSIONS		MATERIAL NO. SEE TABLE	DOCUMENT NO. SD-73300-044	SHEET NO. 1 OF 1		
THIS DRAWING CONTAINS INFORMATION THAT IS PROPRIETARY TO MOLEX INCORPORATED AND SHOULD NOT BE USED WITHOUT WRITTEN PERMISSION								