

MATERIAL

Zinc-plated steel.

SCREWS

Zinc-plated steel.

FEATURES AND APPLICATIONS

BDG connecting bar is used for connecting the profiles (Fig.1) of the different side guides (GLA) or central guides (GCA). It is supplied with 4 assembly grub screws M8x10 with hexagon socket.

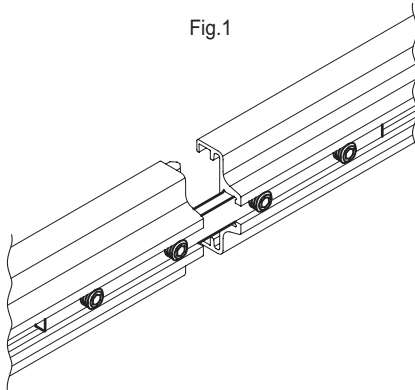
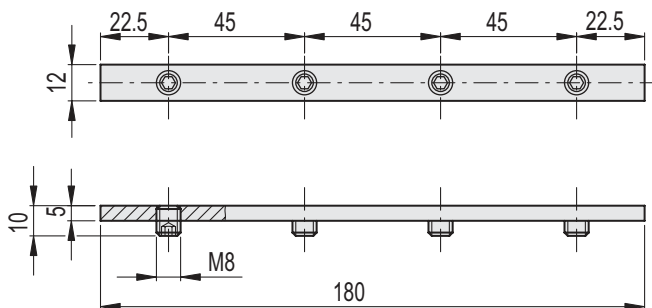
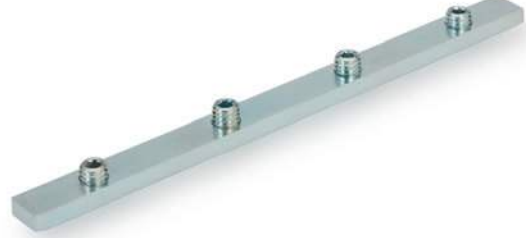


Fig.1



METRIC

Code	Description	⚖
419141	BDG-12-180	80

- 1
- 2
- 3
- 4
- 5
- 6
- 7
- 8
- 9
- 10
- 11
- 12**
- 13
- 14
- 15
- 16
- 17
- 18