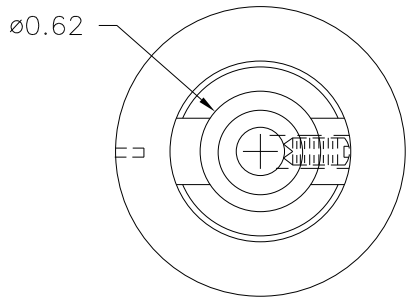
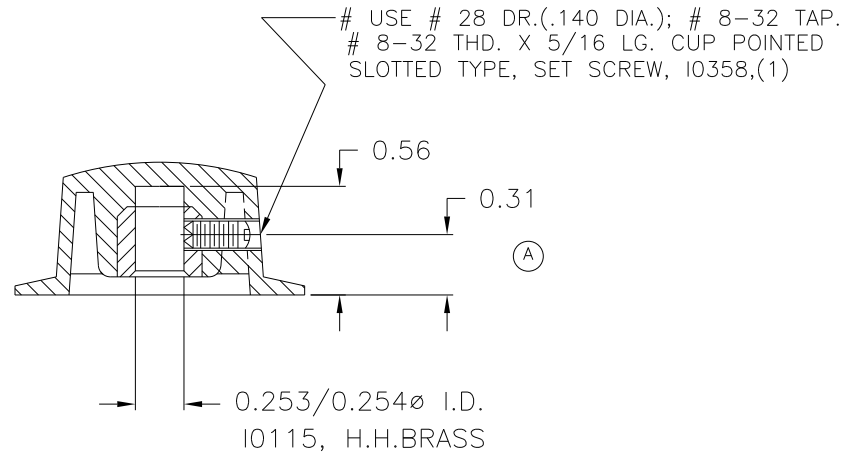
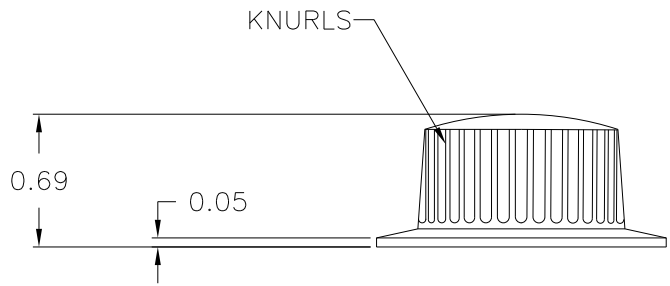
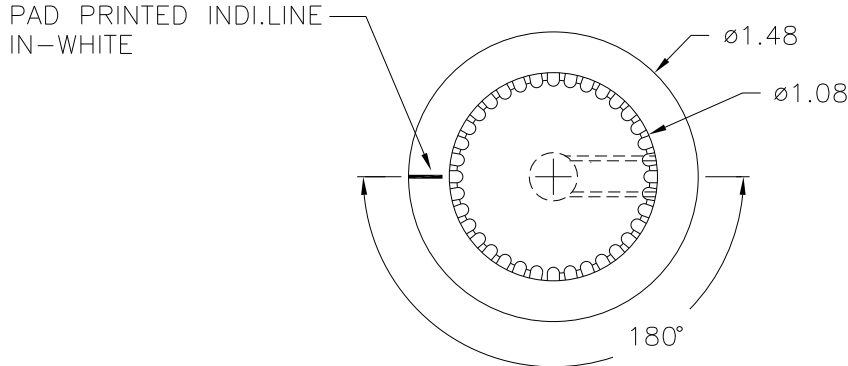


PART NAME: KNOB SCALE: 1:1 DATE: 9/12/97 DR. BY HD

THIS DRAWING IS THE PROPERTY OF DAVIES MOLDING COMPANY, IS SUBMITTED SOLELY AS A DESIGN OR ENGINEERING PROJECT. WE ACCEPT NO RESPONSIBILITY WHATSOEVER FOR THE PRACTICAL APPLICATION OF THE PIECES MADE TO THIS DESIGN.

DAVIES MOLDING COMPANY
CAROL STREAM, ILLINOIS 60188

| | |
|-----------|---------|
| P/N | 1600BW |
| BASE PART | 1600-02 |
| SET SCREW | I0358 |



MATERIAL: G.P. PLENCO PHENOLIC (B11)
COLOR: BLACK

| | | | | | |
|---|----------------------------------|---|---------------------|-----|---------|
| TOLERANCES: UNLESS OTHERWISE SPECIFIED | DO NOT SCALE DRAWING | A | WAS .312 | EW | 7/8/15 |
| DECIMALS: X.XXX ± .005 X.XX ± .015 | MM: X.XX ± 0.15MM X.X ± 0.4MM | - | UPDATED/HAD TOOLBOX | EV. | 7/25/02 |
| FRACTIONS ± 1/64 | ANG. ± 1° | - | CAD/REDRAWN | HD | 9/12/97 |
| CHANGES | | | | | |