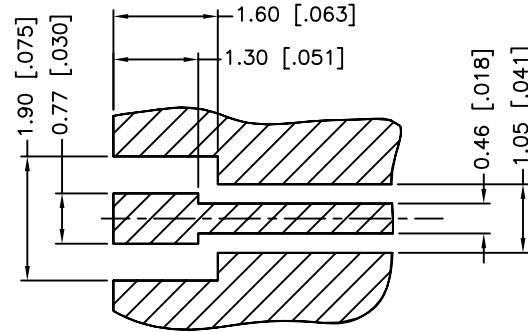
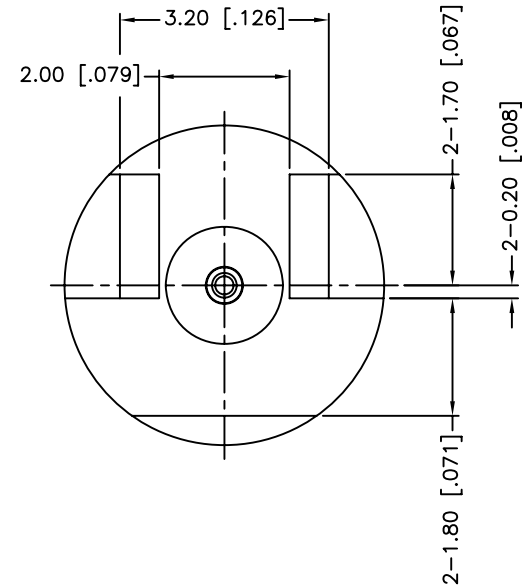
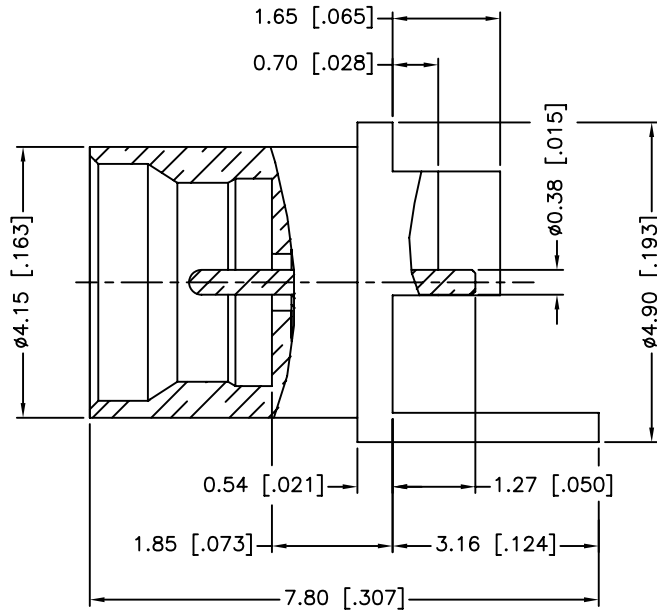
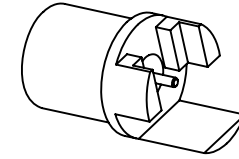


REV.	DATE	ECR NO.	DESCRIPTION
NC	04/02/11	XXXXXX	INITIAL RELEASE



RECOMMENDED PCB LAYOUT



1. FREQUENCY RANGE: DC 0-26.5 GHZ
2. PCB THICKNESS=1.6 mm

UNLESS OTHERWISE SPECIFIED DIMENSIONS ARE IN MILLIMETERS. DIMENSIONS IN [ ] ARE IN INCHES AND FOR CUSTOMER REFERENCE ONLY.

UNLESS OTHERWISE SPECIFIED TOLERANCES FOR MILLIMETERS ARE:  
0.5 - 8mm ± 0.20mm  
8 - 30mm ± 0.40mm  
30 - 120mm ± 0.50mm

UNLESS OTHERWISE SPECIFIED TOLERANCES FOR INCHES ARE:  
.020 - .315 = ± 0.007"  
.315 - 1.180 = ± 0.015"  
1.180 - 4.724 = ± 0.020"

DO NOT SCALE DRAWING

APPROVALS	DATE
DRAWN M.ZHANG	04/02/11
CHECKED	
ISSUED	
SHEET 1 OF 1	
CAD FILE	C:/CONNEX/302114.DWG

<b>Amphenol Connex</b>			
PART DESCRIPTION SMP END LAUNCH RECEPT. JACK, LIMITED DETENT (FOR 1.6MM THICK PCB)			
PART NO. 302114			
DWG. NO.	302114.DWG	REV.	NC
SIZE	A	SCALE	NA

3	CONTACT PIN	BRASS	GOLD	1
2	INSULATOR	PTFE	NATURAL	1
1	BODY	BERYLLIUM COPPER	GOLD	1
	DESCRIPTION	MATERIAL	FINISH	QTY