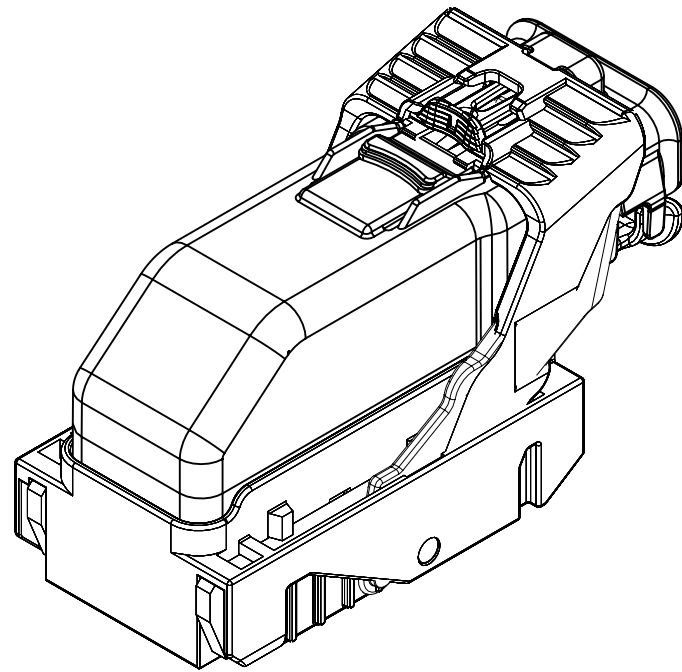

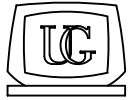


INDEX	
PAGE TITLE	PAGE
TITLE BLOCK	1
REVISION BLOCK	2
PART BLOCK	3
KPC BLOCK	4
COMPONENT TABLE	5
NOTES	6
NOTES	7
WIRE DRESS PACKAGING DIMENSIONS	8
LOCATION AND PACKAGING DIMENSIONS REFERENCING INTERFACE DATUMS B & C	9
LOCATION AND PACKAGING DIMENSIONS REFERENCING INTERFACE DATUM A	10
KEY ID REF - WIRE DRESS OPTION 0	11
KEY ID REF - WIRE DRESS OPTION 9	12
CIRCUIT CONFIGURATIONS	13
CIRCUIT CONFIGURATIONS	14
COMPONENT CONNECTOR INTERFACE	15
COMPONENT CONNECTOR INTERFACE	16
COMPONENT CONNECTOR INTERFACE	17
COMPONENT CONNECTOR INTERFACE	18
COMPONENT CONNECTOR INTERFACE	19
COMPONENT CONNECTOR INTERFACE	20
COMPONENT CONNECTOR INTERFACE	21



ISO VIEW

	<p><b>UNLESS OTHERWISE SPECIFIED:</b> THIS DOCUMENT IS IN ACCORDANCE WITH ASME Y14.5M-1994 AS AMMENDED BY THE GM GLOBAL DIMENSIONING AND TOLERANCING ADDENDUM-1997. ALL GEOMETRIC TOLERANCES AND RELATED DATUMS APPLY RFS. RULE #1 (PERFECT FORM AT MMC) DOES NOT APPLY WHEN A RELATIONSHIP BETWEEN FEATURES IS ESTABLISHED BY ORIENTATION OR LOCATION TOLERANCES. SEPARATE POSITION CALLOUTS MAY BE GAGED SEPARATELY REGARDLESS OF DATUM REFERENCES.</p>			DATE						
	 CHANGE RESTRICTED NO MANUAL CHANGES	REFERENCE 12H (MOLEX AUTOMOTIVE)	DRAFTER J SZYMKOWSKI APVD1 D PFAFFINGER APVD2 B BURT APVD3 APVD4 APVD5	22DE05 22DE05 22DE05    						
DO NOT SCALE	DRAWING NAME HARNESS CONN ASM 66/73/80 CKTS									
METRIC DIMENSIONS SHOWN IN MILLIMETERS UNLESS OTHERWISE SPECIFIED	DRAWING NUMBER 12642695		DWG STATUS <table border="1"> <tr> <td>ST</td> <td>REV</td> <td>PD1</td> </tr> <tr> <td>R</td> <td>002</td> <td></td> </tr> </table>		ST	REV	PD1	R	002	
ST	REV	PD1								
R	002									
			PAGE NUMBER 1 OF 21							

PAGE	DWG STATUS					REVISION HISTORY	AUTH	DR	CK	ENG
	DATE	ST	REV	CHG	PDI					
	19DE11	R	001			RELEASED TO PRODUCTION AT DLS A	CRMRJB	SC	MRO	GF
3	08MY15	R	002	A		REORDERED PART BLOCK AND ADDED MASS CORRECTED P/N TYPO FROM 12562676 TO 12582676				
3, 5		R	002	B		ADDED 12659312, 12659313, 12653574 AND 12653575				
6		R	002	C		REMOVED NOTE 1 . D . 3 . C				
20		R	002	D		DIM 125 WAS 3.25 DIM 131 WAS 5.5	CRMRJD	DFK	MRO	GF

PAGE	DWG STATUS					REVISION HISTORY	AUTH	DR	CK	ENG
	DATE	ST	REV	CHG	PDI					



KEY PRODUCT CHARACTERISTICS  
(IN ACCORDANCE WITH QN 1805 OR ON 1050)



SAFETY/COMPLIANCE

TOTAL ON  
DRAWING

5



FIT/FUNCTION

LAST NO.  
USED

5

NO	TYPE	DESCRIPTION	RATIONALE	PAGE/ZONE
1	F/F	32.68	IMPROVE CONNECTOR SYSTEM MATING	15
2	F/F	29.00	INSURE PROPER RELEASE OF LEVER	15
3	F/F	15.25	INSURE FINAL MATE POSITION	16
5	F/F	POSITIONAL TOLERANCE (2 PLACES)	INSURE CONNECTOR SYSTEM MATEABILITY	19



PAGE TITLE  
KPC BLOCK

DRAWING NUMBER

12642695

DWG STATUS

ST	REV	PD1
----	-----	-----

R	002	
---	-----	--

PAGE NUMBER

4 OF 21



LINE	MFG.	MFG. P/N	GM P/N	EFFECTIVE DATE	APPLICABLE COMPONENTS	KEY OPTION	WIRE DRESS OPTION	KEY CONFIG.	COLOR	STATUS
					DESCRIPTION					
-										
1	MOLEX	34565-0003	12582676	02JN03	MX123 DRESS COVER 66/73/80 CKT	N/A	N/A	N/A	BLACK	AVAILABLE
2	MOLEX	34822-0013	12642692	01SP13	MX123 HRNS CONN ASSY 66 CKT	A	0	1458	BLACK	AVAILABLE
3	MOLEX	34822-0033	12659312	01SP13	MX123 HRNS CONN ASSY 66 CKT	C	0	2467	BLUE	AVAILABLE
4	MOLEX	34822-0023	12642693	01SP13	MX123 HRNS CONN ASSY 66 CKT	A	9	1458	BLACK	AVAILABLE
5	MOLEX	34822-0043	12659313	01SP13	MX123 HRNS CONN ASSY 66 CKT	C	9	2467	BLUE	AVAILABLE
6	MOLEX	34566-0103	12582677	11JN04	MX123 HRNS CONN ASSY 73 CKT	A	0	1458	BLACK	AVAILABLE
7	MOLEX	34566-0203	12582678	11JN04	MX123 HRNS CONN ASSY 73 CKT	B	0	1468	ST GRAY	AVAILABLE
8	MOLEX	34566-0303	12615654	09AP08	MX123 HRNS CONN ASSY 73 CKT	C	0	2467	BLUE	AVAILABLE
9	MOLEX	34566-0403	12647268	T.B.D	MX123 HRNS CONN ASSY 73 CKT	D	0	2367	BROWN	NOT ACTIVE
10	MOLEX	34566-0503	AMJ28633	T.B.D	MX123 HRNS CONN ASSY 73 CKT	E	0	2468	GREEN	NOT ACTIVE
11	MOLEX	34566-0603	12653574	05DC14	MX123 HRNS CONN ASSY 73 CKT	F	0	1357	NATURAL	AVAILABLE
12	MOLEX	34566-0703	12588057	09AP08	MX123 HRNS CONN ASSY 80 CKT	G	0	1358	BLUE	AVAILABLE
13	MOLEX	34566-0803	12588058	11JN04	MX123 HRNS CONN ASSY 80 CKT	H	0	2458	ST GRAY	AVAILABLE
14	MOLEX	34566-0903	12615656	T.B.D	MX123 HRNS CONN ASSY 80 CKT	J	0	2457	BLACK	NOT ACTIVE
15	MOLEX	34566-1003	AMJ28595	T.B.D	MX123 HRNS CONN ASSY 80 CKT	K	0	2357	BROWN	NOT ACTIVE
16	MOLEX	34566-1103	AMJ29057	T.B.D	MX123 HRNS CONN ASSY 80 CKT	L	0	2368	GREEN	NOT ACTIVE
17	MOLEX	34566-1203	AMJ28669	T.B.D	MX123 HRNS CONN ASSY 80 CKT	M	0	2358	NATURAL	NOT ACTIVE
18	MOLEX	34566-1303	12603596	11JN04	MX123 HRNS CONN ASSY 73 CKT	A	9	1458	BLACK	AVAILABLE
19	MOLEX	34566-1403	12603597	11JN04	MX123 HRNS CONN ASSY 73 CKT	B	9	1468	ST GRAY	AVAILABLE
20	MOLEX	34566-1503	12615655	09AP08	MX123 HRNS CONN ASSY 73 CKT	C	9	2467	BLUE	AVAILABLE
21	MOLEX	34566-1603	12647269	T.B.D	MX123 HRNS CONN ASSY 73 CKT	D	9	2367	BROWN	NOT ACTIVE
22	MOLEX	34566-1703	AMJ28698	T.B.D	MX123 HRNS CONN ASSY 73 CKT	E	9	2468	GREEN	NOT ACTIVE
23	MOLEX	34566-1803	12653575	05DC14	MX123 HRNS CONN ASSY 73 CKT	F	9	1357	NATURAL	AVAILABLE
24	MOLEX	34566-1903	12603598	09AP08	MX123 HRNS CONN ASSY 80 CKT	G	9	1358	BLUE	AVAILABLE
25	MOLEX	34566-2003	12603599	11JN04	MX123 HRNS CONN ASSY 80 CKT	H	9	2458	ST GRAY	AVAILABLE
26	MOLEX	34566-2103	12615657	T.B.D	MX123 HRNS CONN ASSY 80 CKT	J	9	2457	BLACK	NOT ACTIVE
27	MOLEX	34566-2203	AMJ29117	T.B.D	MX123 HRNS CONN ASSY 80 CKT	K	9	2357	BROWN	NOT ACTIVE
28	MOLEX	34566-2303	AMJ29136	T.B.D	MX123 HRNS CONN ASSY 80 CKT	L	9	2368	GREEN	NOT ACTIVE
29	MOLEX	34566-2403	AMJ29214	T.B.D	MX123 HRNS CONN ASSY 80 CKT	M	9	2358	NATURAL	NOT ACTIVE
30	MOLEX	34736-2002	12642697	01AU10	MX64 RCPT TERM Ag 18/20 GAGE B (RIGHT PAYOFF)	N/A	N/A	N/A	N/A	AVAILABLE
31	MOLEX	34736-2001	12642696	01AU10	MX64 RCPT TERM Ag 22 GAGE B (RIGHT PAYOFF)	N/A	N/A	N/A	N/A	AVAILABLE
32	MOLEX	34586-0001	T.B.D.	11JN04	MX123 0.64MM GROMMET PLUG	N/A	N/A	N/A	NATURAL	AVAILABLE
33	YAZAKI	7116-4150-02	12588066	02JN03	2.8mm YESC SEALED FEMALE TERMINAL TIN 20/22 GAGE (CABLE RANGE 0.30mm-0.60mm)	N/A	N/A	N/A	N/A	NOT ACTIVE
34	YAZAKI	7116-4151-02	12588067	02JN03	2.8mm YESC SEALED FEMALE TERMINAL TIN 16/18 GAGE (CABLE RANGE 0.75mm-1.40mm)	N/A	N/A	N/A	N/A	NOT ACTIVE
35	YAZAKI	7116-4152-02	12582685	02JN03	2.8mm YESC SEALED FEMALE TERMINAL TIN 14 GAGE (CABLE RANGE 1.50mm-2.50mm)	N/A	N/A	N/A	N/A	AVAILABLE
36	YAZAKI	7158-3111-60	12588068	02JN03	2.8mm CABLE SEAL (wire O.D. range 1.20mm-1.90mm)	N/A	N/A	N/A	GREEN	NOT ACTIVE
37	YAZAKI	7158-3112-70	12588069	02JN03	2.8mm CABLE SEAL (wire O.D. range 1.80mm-2.30mm)	N/A	N/A	N/A	YELLOW	NOT ACTIVE
38	YAZAKI	7158-3113-40	12582686	02JN03	2.8mm CABLE SEAL (wire O.D. range 2.18mm-3.00mm)	N/A	N/A	N/A	WHITE	AVAILABLE
39	YAZAKI	7158-3114-90	T.B.D	02JN03	2.8mm YESC CAVITY PLUG	N/A	N/A	N/A	BLUE	AVAILABLE
40	MOLEX	63811-4200	XX019825	02JN03	MX64 TERM HAND CRIMP TOOL	N/A	N/A	N/A	N/A	AVAILABLE
41	MOLEX	63813-1400	XX019826	02JN03	MX64 TERM SERVICE TOOL	N/A	N/A	N/A	N/A	AVAILABLE
42	MOLEX	63865-8000	XX019827	02JN03	MX64 CRIMP APPLICATOR with TOOL KIT 18/20 GAGE PAYOFF DIRECTION D (left payoff) (contact Molex for payoff detail)	N/A	N/A	N/A	N/A	AVAILABLE
43	MOLEX	63865-8070	XX019828	02JN03	MX64 APPLICATOR TOOL KIT 18/20 GAGE	N/A	N/A	N/A	N/A	AVAILABLE
44	MOLEX	63865-8100	XX019829	02JN03	MX64 CRIMP APPLICATOR with TOOL KIT 22 GAGE PAYOFF DIRECTION D (left payoff) (contact Molex for payoff detail)	N/A	N/A	N/A	N/A	AVAILABLE
45	MOLEX	63865-8170	XX019830	02JN03	MX64 APPLICATOR TOOL KIT 22 GAGE	N/A	N/A	N/A	N/A	AVAILABLE
46	SPX	J35616-64	T.B.D.	02JN03	0.64mm PROBE TOOL (for rcpt)	N/A	N/A	N/A	N/A	AVAILABLE
47	SPX	J35616-64A	T.B.D.	02JN03	0.64mm PROBE TOOL WITH EXT (for rcpt)	N/A	N/A	N/A	N/A	AVAILABLE
48	SPX	J35616-65	T.B.D.	02JN03	0.64mm PROBE TOOL WITH EXT (for pin)	N/A	N/A	N/A	N/A	AVAILABLE
49	SPX	J35616-4A	T.B.D.	02JN03	2.8mm PROBE TOOL (for rcpt)	N/A	N/A	N/A	N/A	AVAILABLE
50	YAZAKI	X39899-J374	12094430	02JN03	2.8mm TERM SERVICE TOOL	N/A	N/A	N/A	N/A	AVAILABLE

002B

\* - MX123 DRESS COVER 73/80/66 CKT MATES TO ANY MX123 HARN CONN ASSY SHOWN ON TABLE ABOVE



PAGE TITLE  
COMPONENT TABLE

DRAWING NUMBER  
12642695

DWG STATUS			PAGE NUMBER
ST	REV	PD1	
R	002		

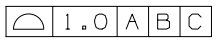
5 OF 21

NOTES: UNLESS OTHERWISE SPECIFIED

1. MATERIAL FOR INTERFACE:

- A. RESIN:
  - 1. 30% G.F. PBT; 20% MAX. (BY WEIGHT) REGRIND.
  - 2. MATING CONNECTOR INTERFACE PART COLOR MUST BE SAME AS MATCHING KEYED HARNESS CONNECTOR ASSEMBLY.
  - 3. MUST BE VALIDATED FOR INDIVIDUAL DEVICE APPLICATION REQUIREMENTS.
- B. 0.64MM PINS:
  - 1. BASE MATERIAL: COPPER ALLOY; CONDUCTIVITY >= 28% IACS AT 20°C; TENSILE STRENGTH >= 635 N/mm<sup>2</sup>; SURFACE ROUGHNESS R<sub>a</sub> 6 MAX.
  - 2. PLATING FINISH: SILVER (Ag). PLATING TO BE 1.9-3.3 μm ELECTRODEPOSITED SEMI-BRIGHT SILVER OVER 1.25-2.25 μm DUCTILE SULPHAMATE NICKEL PER NOTE 1(D).
  - 3. ANTI-TARNISH: SYNTHETIC HYDROCARBON CONTACT SURFACE FINISH OR EQUIVALENT APPLIED WITHOUT VOID TO CONTACT AREA (MIN 3.7mm FROM PIN TIP).
- C. 2.8MM BLADE:
  - 1. BASE MATERIAL: COPPER ALLOY; CONDUCTIVITY >= 28% IACS AT 20°C; TENSILE STRENGTH >= 350 N/mm<sup>2</sup>; SURFACE ROUGHNESS R<sub>a</sub> 6 MAX.
  - 2. PLATING FINISH: TIN. PLATING TO BE 2.5-5.0 μm ELECTRODEPOSITED TIN, MATTE FINISH OVER 1.25-2.5 μm DUCTILE SULPHAMATE NICKEL PER NOTE 1(D).
- D. PLATING REQUIREMENTS:
  - 1. SILVER PLATING
    - a. 99.5% PURE SEMI-BRIGHT WITH NO ORGANIC BRIGHTNERS OR CHROMATES.
  - 2. NICKEL PLATING
    - a. ELECTRODEPOSITED DUCTILE SULFAMATE NICKEL WITH A NON-BRIGHTENED FINISH. NO ORGANIC OR BRIGHTENING AGENTS SHALL BE ALLOWED.
    - b. SHALL ONLY BE USED AS AN UNDERLYING PLATING AND MAY NOT BE USED AS AN ELECTRICAL CONTACT SURFACE PLATING.
    - c. SHALL BE NODULE FREE WHEN VIEWED AT 10X MAGNIFICATION IN MEASURED IN CONTACT SURFACE AREA PLUS 0.5MM PERIMETER AROUND THE CONTACT SURFACE AREA.
    - d. ALL PLATINGS SHALL HAVE A 1.0% MAXIMUM BY WEIGHT IMPURITIES. IMPURITIES ARE DEFINED AS ALL ELEMENTS NOT THE PRIMARY PLATING OR HARDENING AGENT IF APPLICABLE, AS DETERMINED BY WET CHEMICAL ANALYSIS OR AUGER METHOD. NO SINGLE IMPURITY SHALL EXCEED 0.1% MAXIMUM BY WEIGHT.
  - 3. TESTING
    - a. THICKNESS TO BE MEASURED IN CONTACT SURFACE AREA PLUS 0.5MM PERIMETER AROUND THE CONTACT SURFACE AREA AS DESIGNATED IN THE DRAWING. THICKNESS SHALL BE DETERMINED BY METHOD OF X-RAY (XRF).
    - b. PLATING ADHESION SHALL BE TESTED BY A BEND TEST FOR ALL METALS. THE TEST SAMPLE SHALL BE BENT 90 DEGREES TO DETERMINE DEPOSIT ADHESION. TESTING SHALL BE COMPLETED IN ACCORDANCE WITH ASTM SPEC B571.


2. DESIGN - GENERAL:

- A. THIS IS A 100% CAD GENERATED PART. THE CAD MATHEMATICAL DATA IS THE MASTER FOR THIS PART. FOR DIMENSIONAL OR ANY INFORMATION NOT SHOWN ON THIS DRAWING, ANALYZE THE CAD MODEL.
- B. TOLERANCES:
  - 1. LINEAR
    - 0.X ± 0.30
    - 0.XX ± 0.10
    - 0.XXX ± 0.10
  - 2. ANGULAR X° ± 3°
  - 3. 
- C. MINIMUM WALL THICKNESS REQUIRED: 1.3mm.
- D. CORNERS SHOWN AS SHARP TO BE R 0.2 MAX.
- E. LETTERING SHALL BE 0.15 MAX RAISED IN 0.20 MAX RECESS PAD. THIS INCLUDES MATERIAL CODE, RECYCLING CODE, CAVITY ID AND DATE CODE.
- F-1. PARTS MUST BE FREE OF DISCOLORATION, SALT RESIDUE AND OTHER IMPERFECTIONS THAT AFFECT FIT OR FUNCTION.
- F-2. SCRATCHES OR DENTS NOT TO EXCEED 0.013mm IN DEPTH.
- G. FOLLOWING PRODUCTION CODES TO BE PERMANENTLY MARKED & HUMAN READABLE TO A LETTER HEIGHT OF 1.5 ± 0.5MM X 0.3 MAX DEEP
  - 1. MATERIAL #: XXXXX-XXXX
  - 2. DATE CODE: JJYY (JULIAN DAY, LAST DIGIT OF YEAR)
  - 3. INSPECTION MACHINE CODE + SERIAL #: X\_XXXXX

3. DESIGN - MANUFACTURING:

- A. DRAFT TO BE WITHIN TOLERANCE.
- B. ALLOWABLE FLASH MAX 0.2 HIGH X MAX 0.13 THICK.
- C. ALLOWABLE PARTING LINE MISMATCH 0.2 MAX.
- D. EJECTOR PINS MARK TO BE FLUSH TO 0.25 MAX DEPRESSED.
- E. ALLOWABLE GATE VESTIGE FLUSH TO 0.25 MAX PROTRUSION.
- F. NO EXTERNAL MOLD RELEASE AGENT ALLOWED DURING MANUFACTURING.
- G. STEEL THAT FORMS THE INDICATED SURFACE MUST BE POLISHED WITH A DIAMOND FINISH (SPI A-2) OVER THE FULL PERIPHERY OF THE TOOL. SURFACE MUST HAVE NO MISMATCH.
- H. ANY PROCESS LUBRICANT REMAINING ON THE TERMINAL MUST NOT VARNISH OR DEGRADE IT'S ELECTRICAL PERFORMANCE UP TO A MAXIMUM CLASS AMBIENT TEMPERATURE PER SAE USCAR-2 FOR 1008 HOURS. PROCESS LUBRICANTS SHOULD BE APPROVED BY THE RESPONSIBLE ENGINEER.
- J. OPTIONAL FEATURES PROVIDED FOR AUTOMATION.
- K. PART MUST BE FREE FROM BURRS AND SHARP EDGES, WHICH MIGHT BE DETRIMENTAL TO SATISFACTORY ASSEMBLY, SAFE HANDLING OR FUNCTION OF PART.
- L. PARTS AS DELIVERED TO ASSEMBLY SHALL BE CLEAN AND FREE OF DEBRIS, RESIDUAL ABRASIVE MATERIAL AND CORROSION PRODUCTS ADVERESLY AFFECTING FUNCTION OR APPEARANCE.
- M. RESTRICTED AND REPORTABLE SUBSTANCES FOR PARTS PER GMW3059.

002C

	PAGE TITLE	DRAWING NUMBER	DWG STATUS			PAGE NUMBER	
	NOTES		12642695	ST	REV	PDI	6 OF 21
				R	002		

NOTES: UNLESS OTHERWISE SPECIFIED

4. SYSTEM REQUIREMENTS:

- A. HARNESS CONNECTOR IS COMPATIBLE WITH THE FOLLOWING SAE WIRE SIZE NO'S:
  - 14, MEETING SAE J1128
  - 18, MEETING SAE J1128, MAX O.D. OF 2.06 MM
  - 20, MEETING SAE J1128
  - 22, MEETING SAE J1128, MIN O.D. OF 1.47 MM
- B. CABLE TIE SPECIFICATIONS:
  - 1. CABLE TIE:
    - TENSILE RATING: 220N / (50lbs) MIN
    - TIE LENGTH: 186mm MIN
    - TIE WIDTH: 4.75mm MAX
    - MATERIAL: NYLON
  - 2. INSTALLATION:
    - CABLE TIE TENSION: 190N MIN
  - 3. DRESSED WIRE BUNDLE PACKAGING: SEE FIG. 1
- C. WHEN MATED WITH COMPONENT CONNECTOR INTERFACE AND/OR DRESS COVER, HARNESS CONNECTOR SYSTEM CONFORMS TO THE FOLLOWING:
  - 1. SAE/USCAR-2, REV: 3 APRIL, 2001; CLASS 3
  - 2. FIELD CORRELATED LIFE TEST, SAE/USCAR-20, NOV. 2001
  - 3. GMW #3191 AUGUST 22, 2000 (DRAFT); TEMPERATURE CLASS 3, SEALING CLASS 1, VIBRATION CLASS 2
  - 4. RESTRICTED AND REPORTABLE CHEMICALS PER GMW #3059, REV: D AUGUST 2002
  - 5. TPA USER FORCES (FULLY POPULATED WITH TERMINALS)
    - a. REMOVAL FROM LOCK TO PRE-SET: <=120N
- D. WIRE SPECIFICATIONS:
  - 1. WIRE SURFACE MUST BE FREE OF SCRATCHES, GROOVES OR DENTS WHERE FUNCTIONAL

5. TERMINAL CURRENT RATINGS:

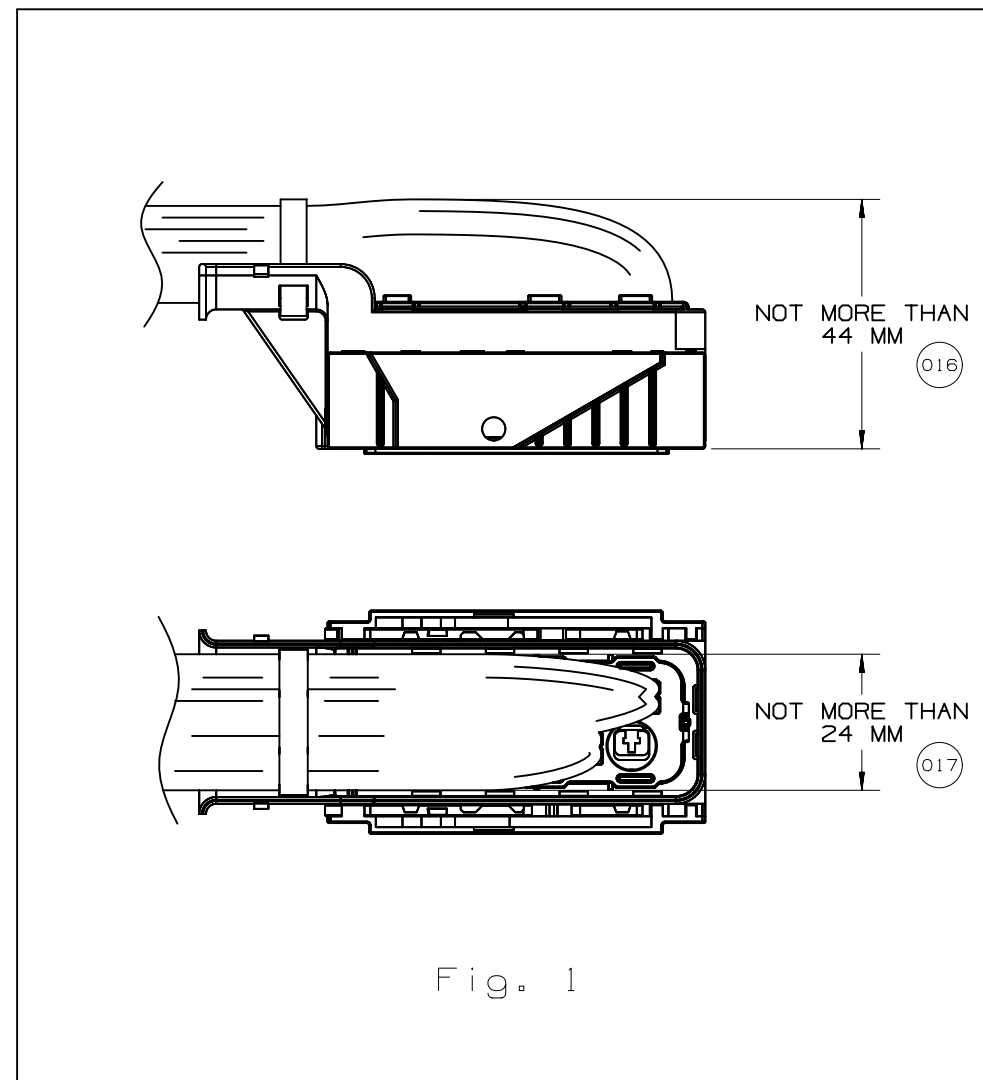
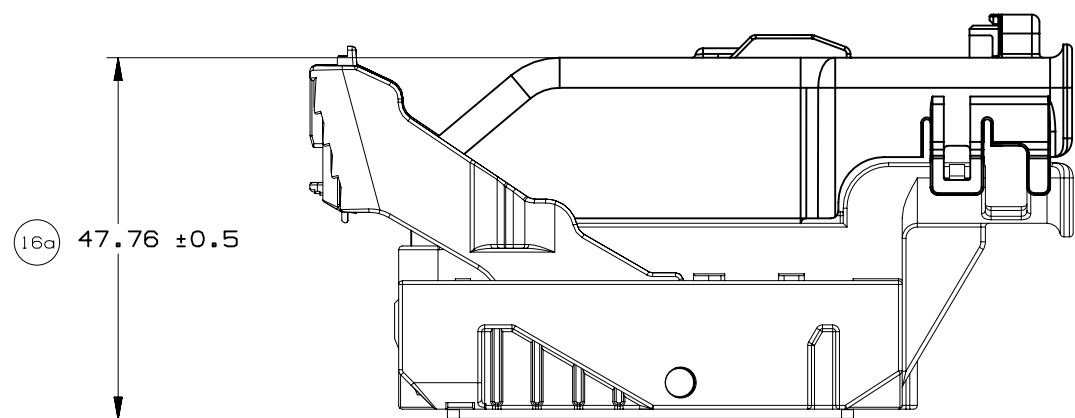
ALL TESTING DONE IN ACCORDANCE WITH USCAR-2 REV5 SECTION 5.3

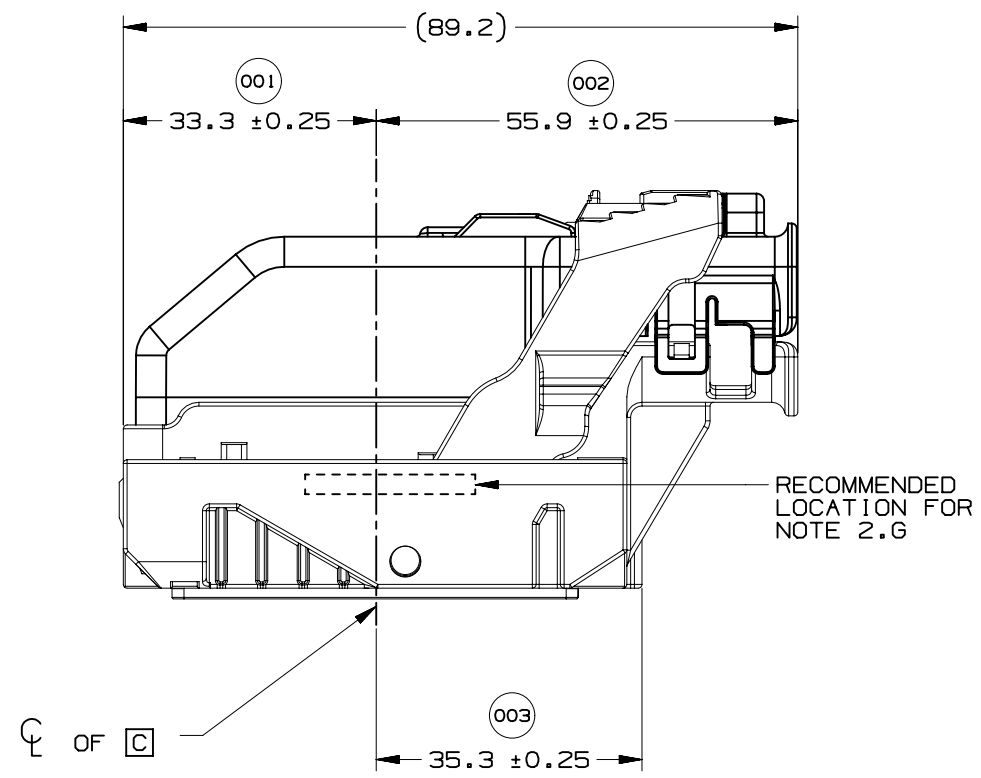
- A. MX64 RCPT TERM
  - 1. MX64 RCPT TERM Ag 18/20 GAGE CRIMPED TO SAE WIRE SIZE NO.18 AND MATED TO MX123 0.64MM PIN: 11.3 AMPS
  - 2. MX64 RCPT TERM Ag 22 GAGE CRIMPED TO SAE WIRE SIZE NO.22 AND MATED TO MX123 0.64MM PIN:8.5 AMPS

WIRE	CURRENT RATING			
	23°C	85°C	105°C	125°C
18AWG	11.3A	11.3A	9.5A	6.6A
20AWG	10.0A	10.0A	8.3A	5.7A
22AWG	8.6A	8.6A	7.1A	5.0A

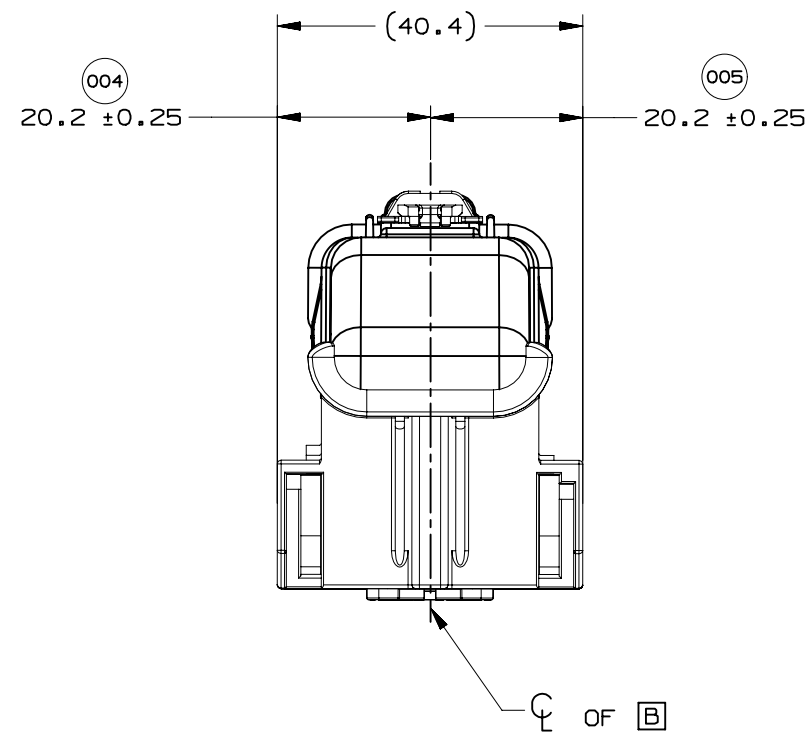
- B. 2.8MM RCPT TERM
  - 1. 2.8MM RCPT TERM TIN 14 GAGE CRIMPED TO SAE WIRE SIZE NO.14 AND MATED TO MX123 2.8MM BLADE: 25.6 AMPS

6. CONTACT MOLEX AUTOMOTIVE FOR AVAILABLE CUSTOM PATTERNS OF CAVITIES OPEN FOR CIRCUITS

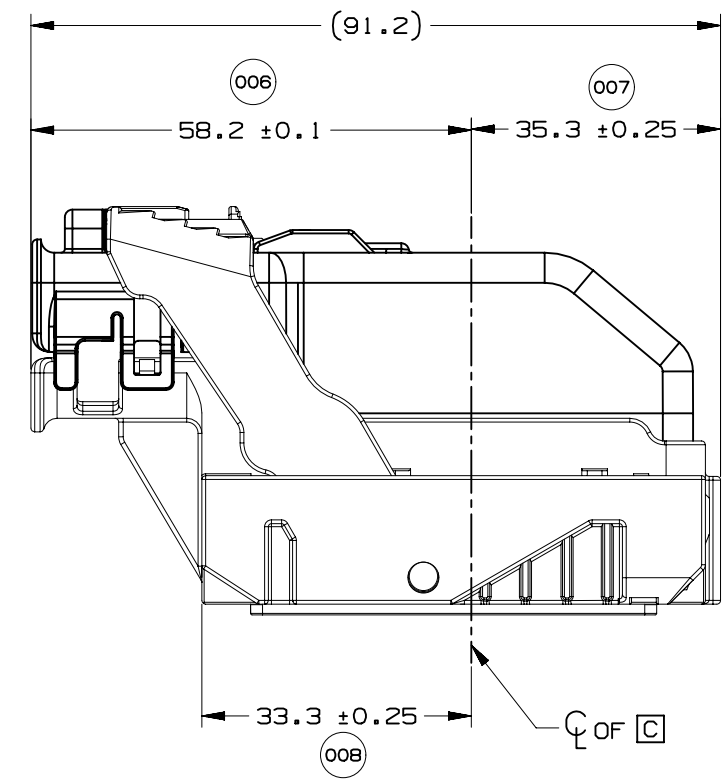




WIRE DRESS OPTION 0 SHOWN

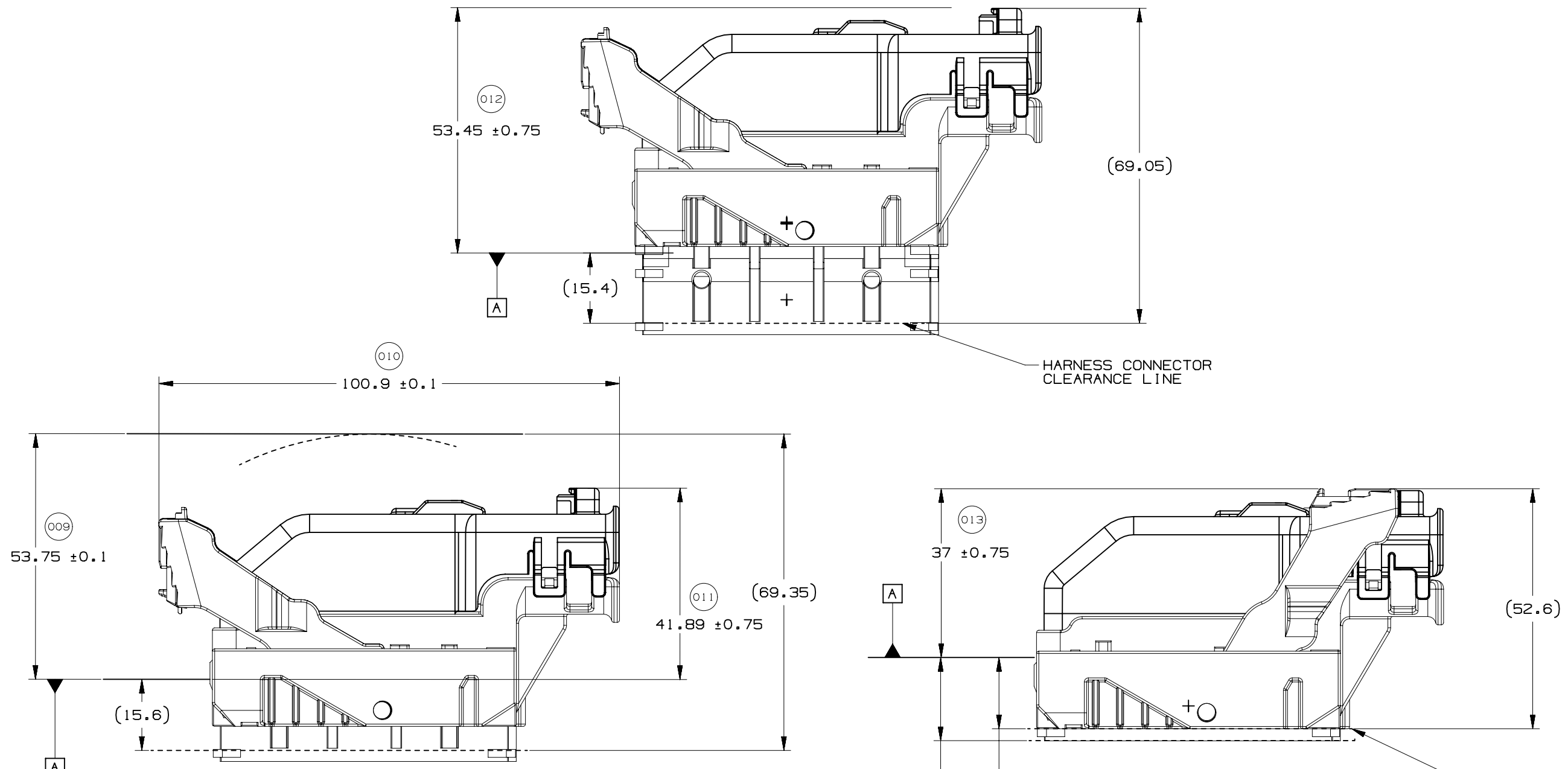


WIRE DRESS OPTION 0 SHOWN



WIRE DRESS OPTION 9 SHOWN





HARNESS CONNECTOR CLEARANCE LINE

HARNESS CONNECTOR ASSEMBLY IN FULLY-MATED POSITION

HARNESS CONNECTOR CLEARANCE LINE

15.6 MIN. ALL AROUND CLEARANCE REQUIRED FOR HARNESS CONNECTOR (014)

17.9 MIN. AT PAD LOCATION CLEARANCE REQUIRED FOR HARNESS CONNECTOR CONSTRUCTION BELOW THIS PLANE IS NOT CONTROLLED (015)

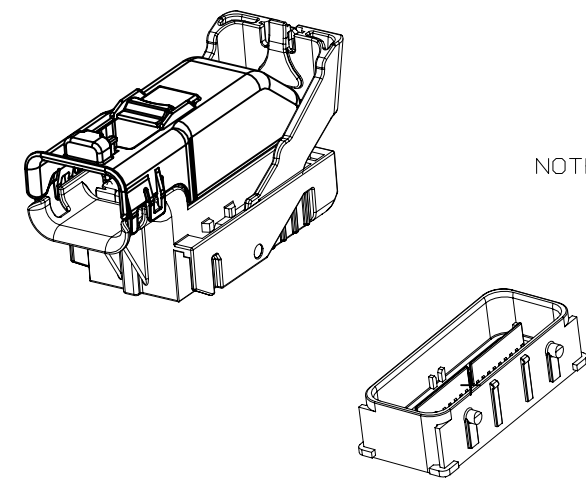
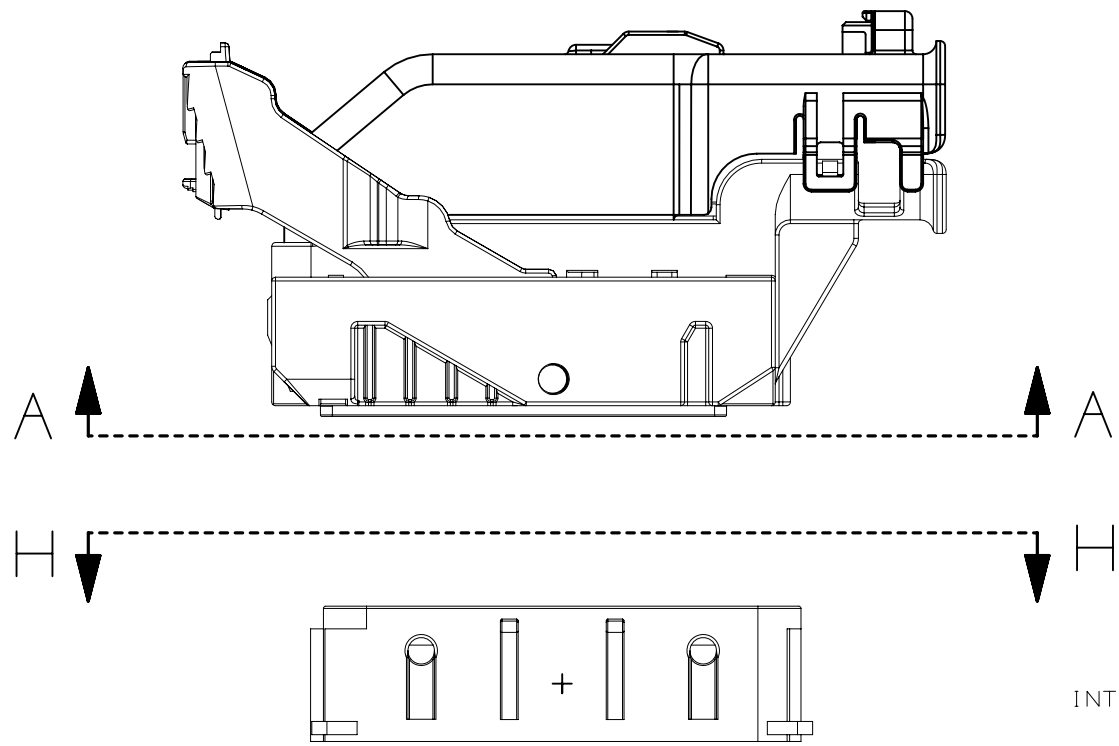


PAGE TITLE  
 LOCATION AND PACKAGING DIMENSIONS  
 REFERENCING INTERFACE DATUM A

DRAWING NUMBER  
 12642695

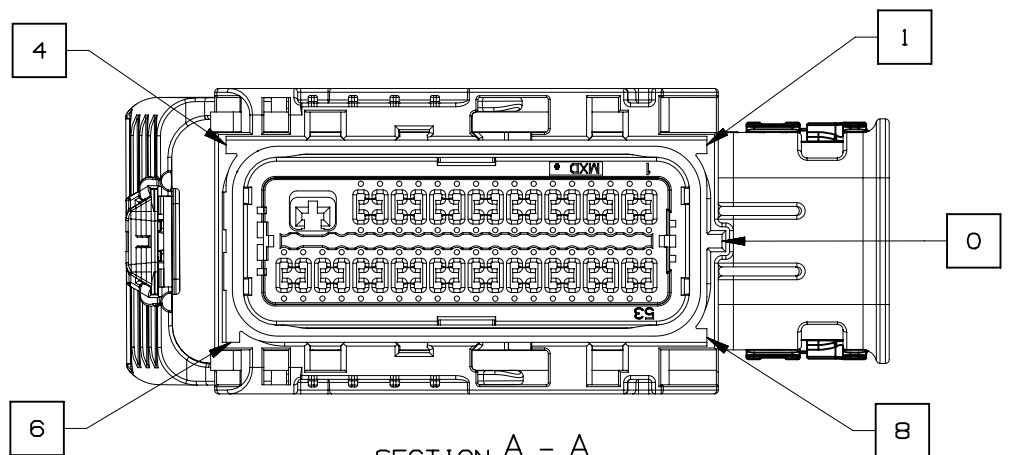
DWG STATUS		
ST	REV	PD1
R	002	

PAGE NUMBER  
 10 OF 21

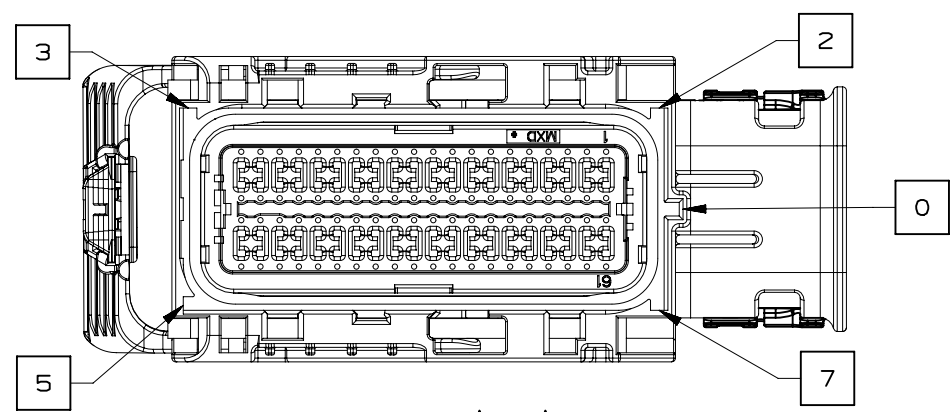


NOTE: REFERENCE THE COMPONENT TABLE FOR KEY OPTIONS AND CONFIGURATIONS

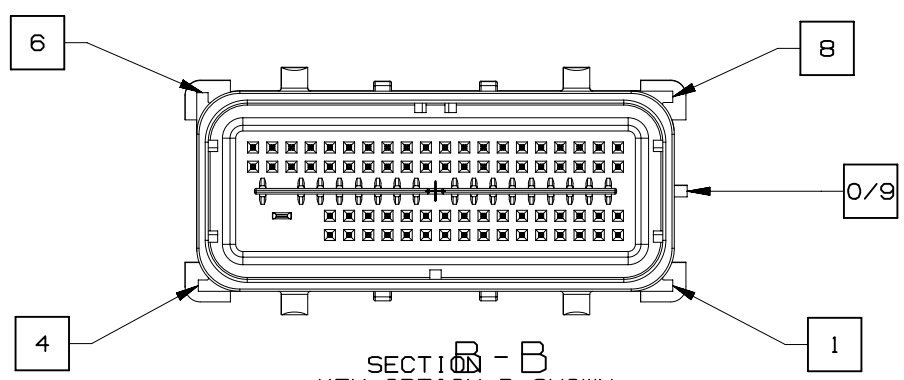
INTERFACE SIDE SHOWN ON ALL SECTION VIEWS



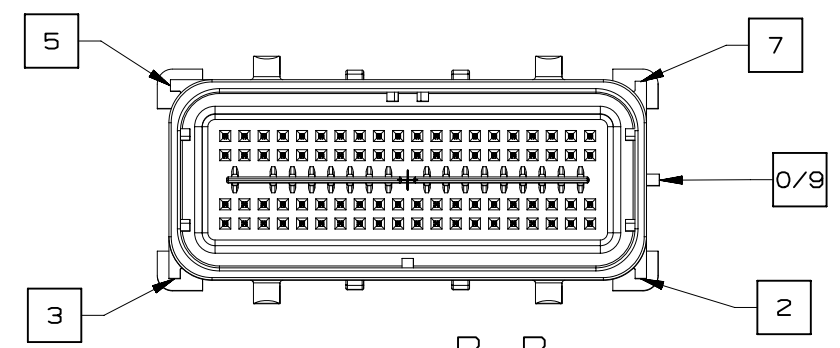
SECTION A - A  
KEY OPTION B SHOWN



SECTION A - A  
KEY OPTION K SHOWN

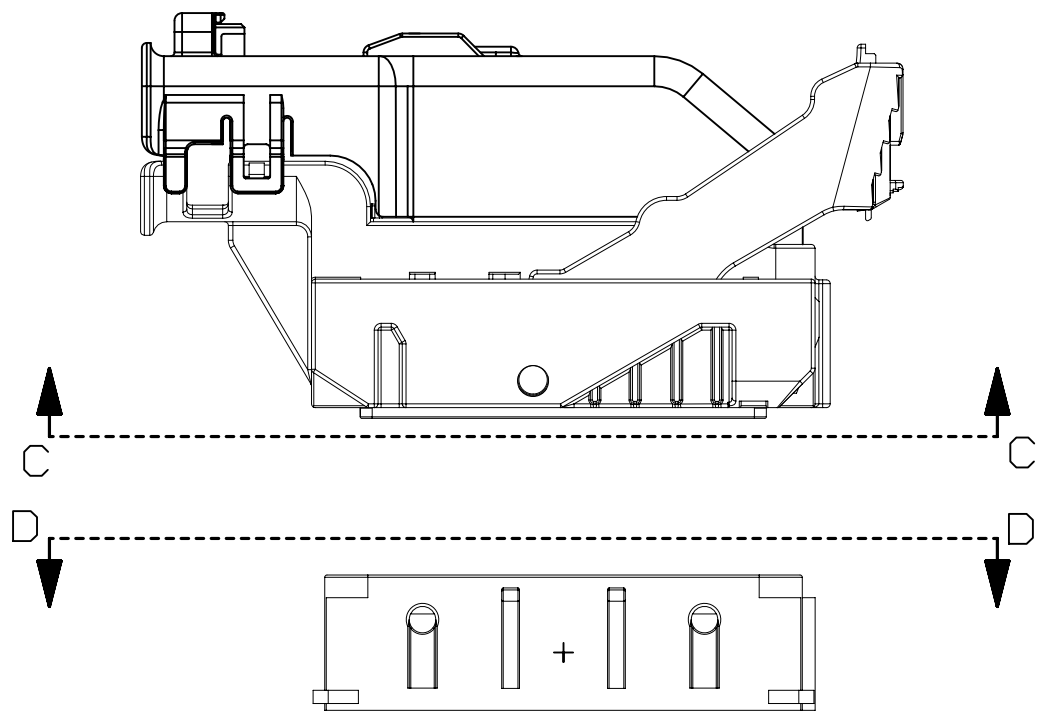


SECTION B - B  
KEY OPTION B SHOWN

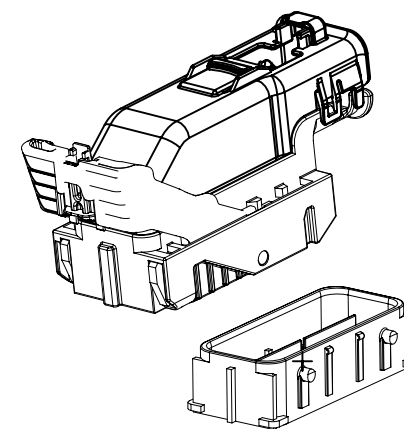


SECTION B - B  
KEY OPTION K SHOWN

	PAGE TITLE	DRAWING NUMBER	DWG STATUS			PAGE NUMBER	
	KEY ID REF - WIRE DRESS OPTION 0	12642695	ST	REV	PD1	11	OF 21
			R	002			

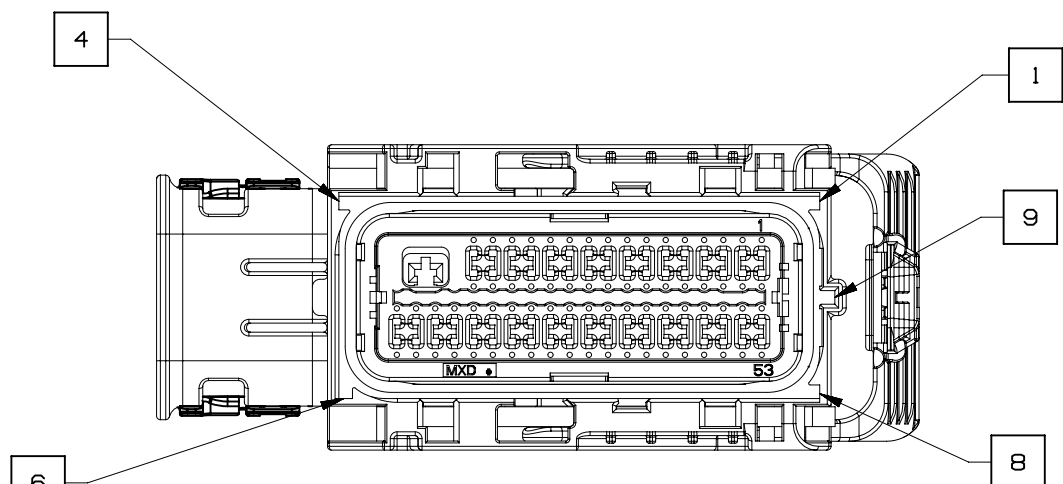


INTERFACE SIDE SHOWN ON ALL SECTION VIEWS

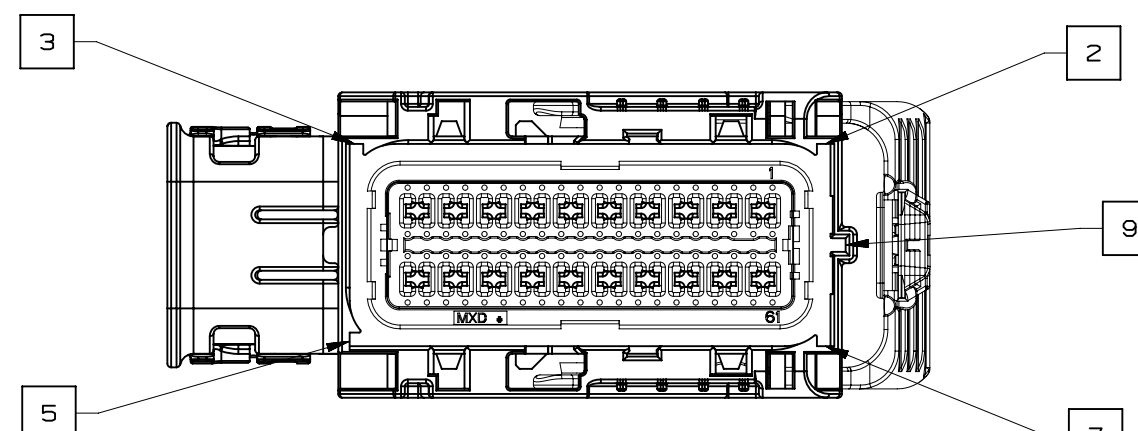


NOTE: REFERENCE THE COMPONENT TABLE FOR KEY OPTIONS AND CONFIGURATIONS

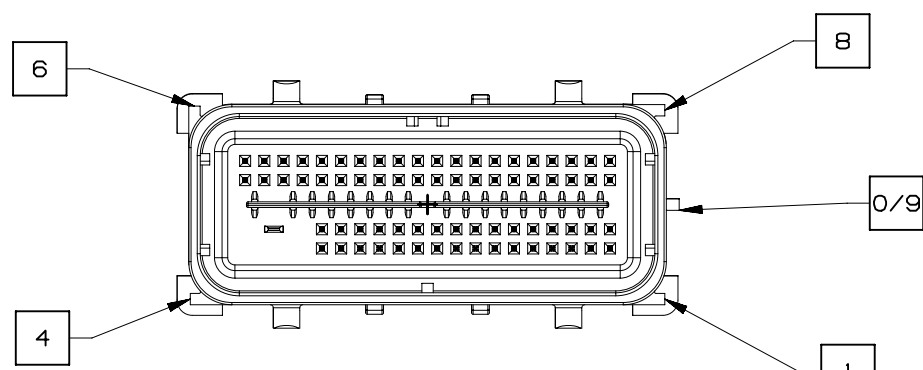
VIEW V



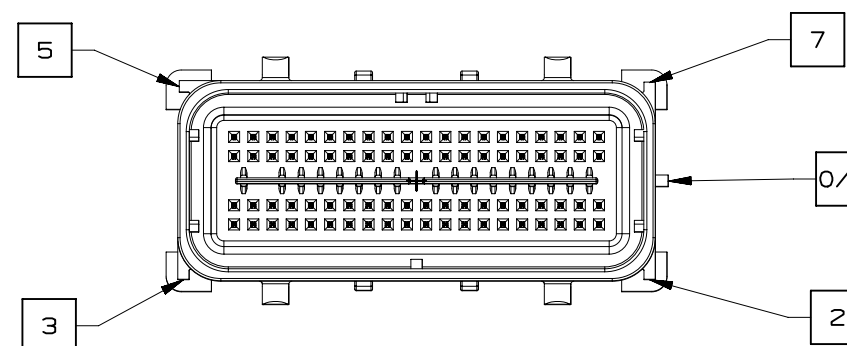
SECTION C-C  
KEY OPTION B SHOWN



SECTION C-C  
KEY OPTION K SHOWN



SECTION D-D  
KEY OPTION B SHOWN



SECTION D-D  
KEY OPTION K SHOWN



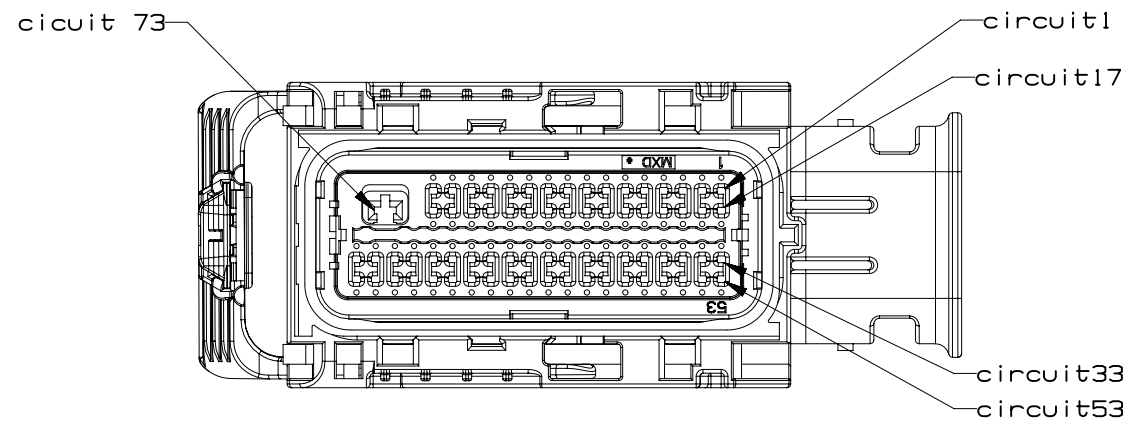
PAGE TITLE  
KEY ID REF - WIRE DRESS OPTION 9

DRAWING NUMBER  
12642695

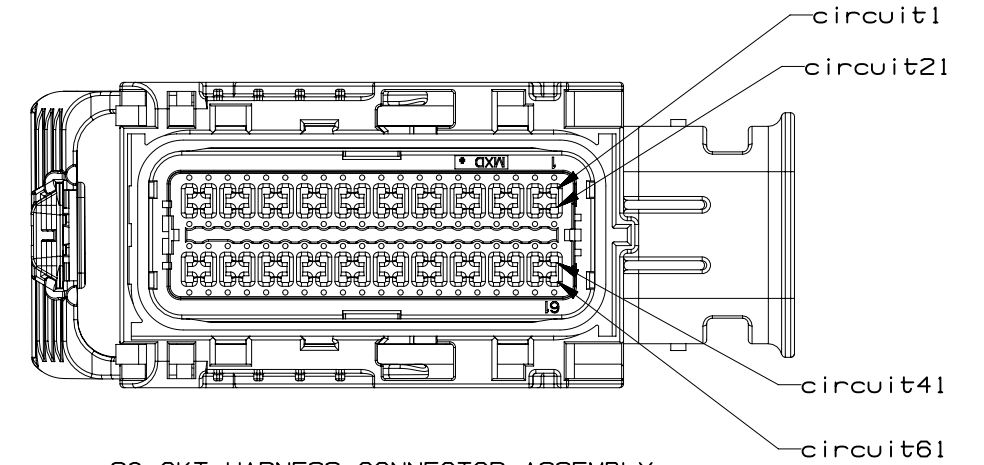
DWG STATUS		
ST	REV	PD1
R	002	

PAGE NUMBER  
12 OF 21



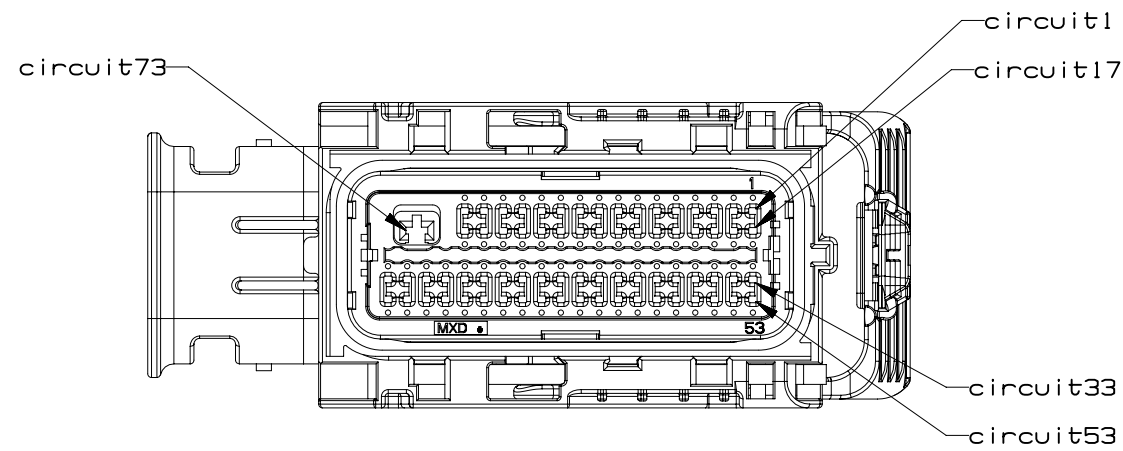


73 CKT HARNESS CONNECTOR ASSEMBLY  
WIRE DRESS OPTION 0

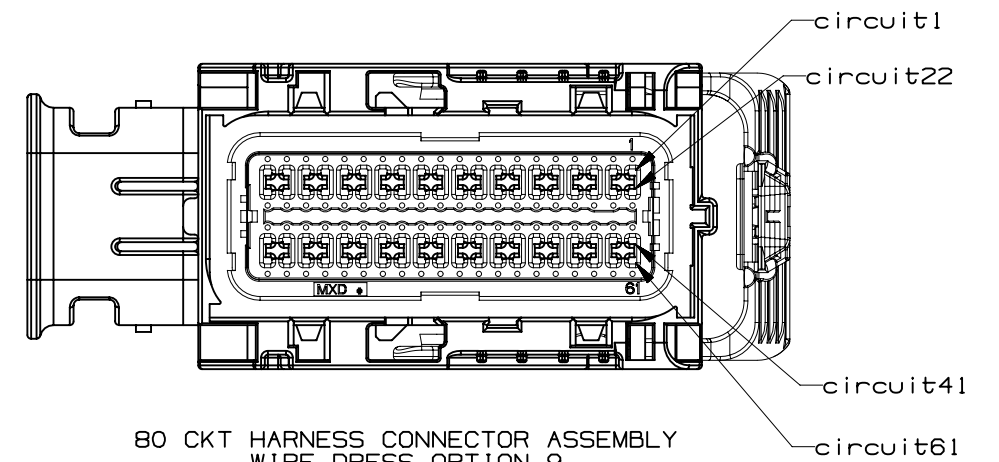


80 CKT HARNESS CONNECTOR ASSEMBLY  
WIRE DRESS OPTION 0

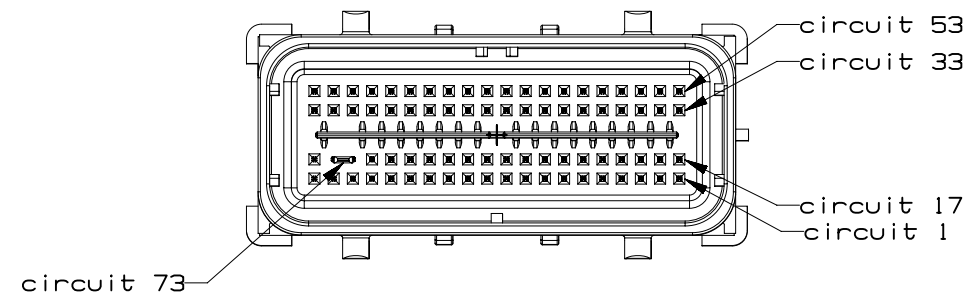
INTERFACE SIDE SHOWN ON ALL VIEWS



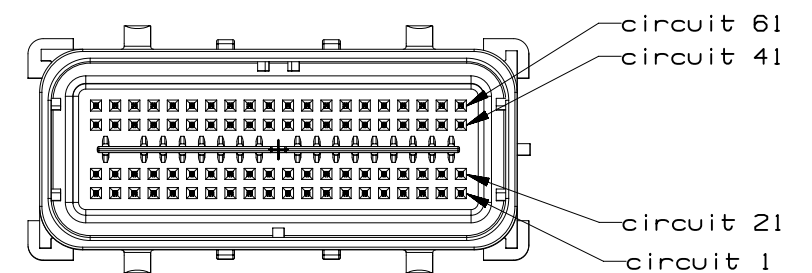
73 CKT HARNESS CONNECTOR ASSEMBLY  
WIRE DRESS OPTION 9



80 CKT HARNESS CONNECTOR ASSEMBLY  
WIRE DRESS OPTION 9

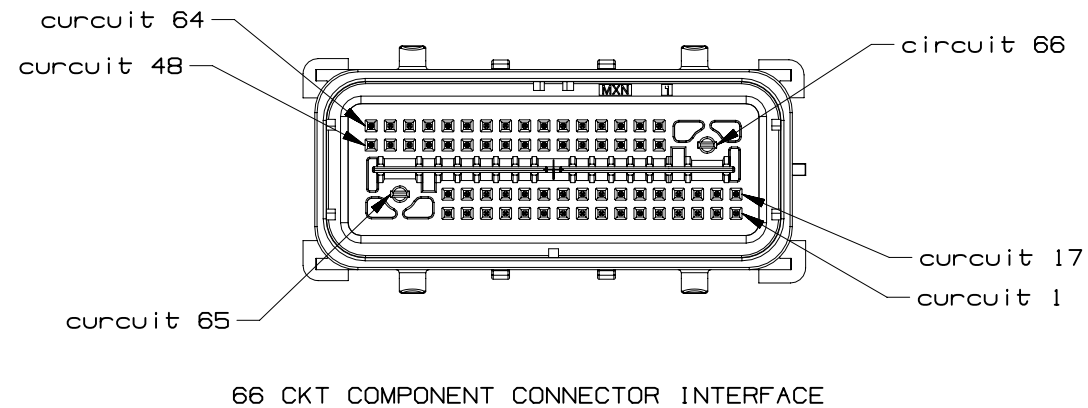
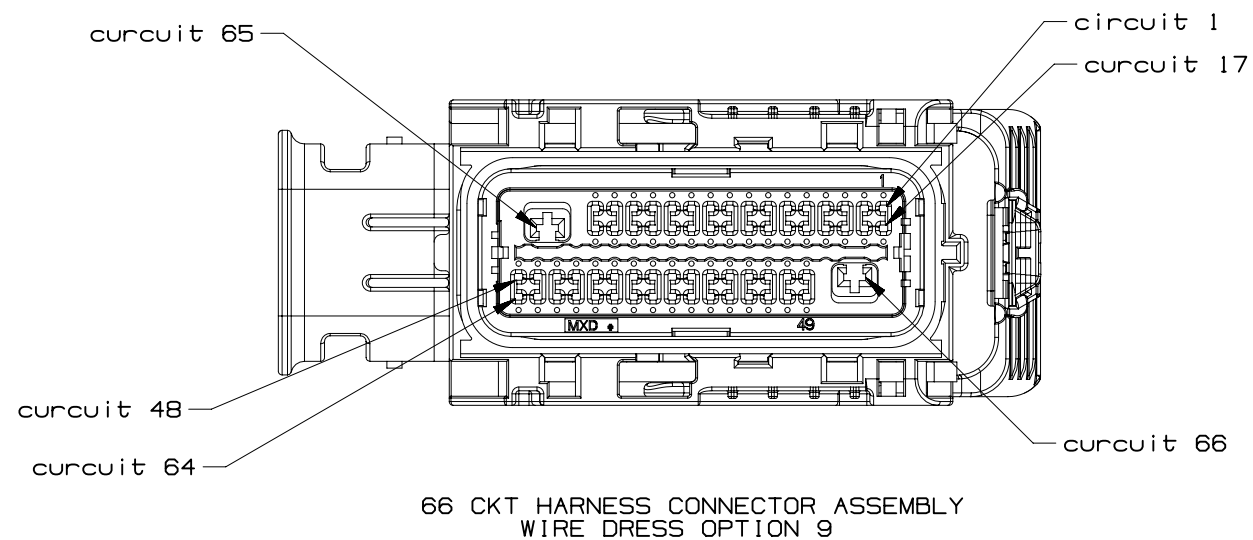
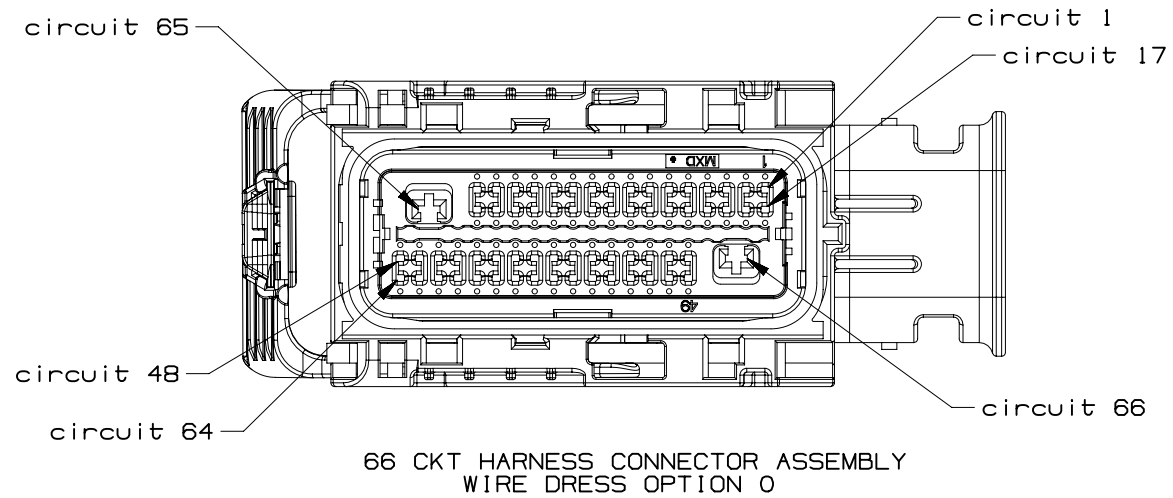



73 CKT COMPONENT CONNECTOR INTERFACE

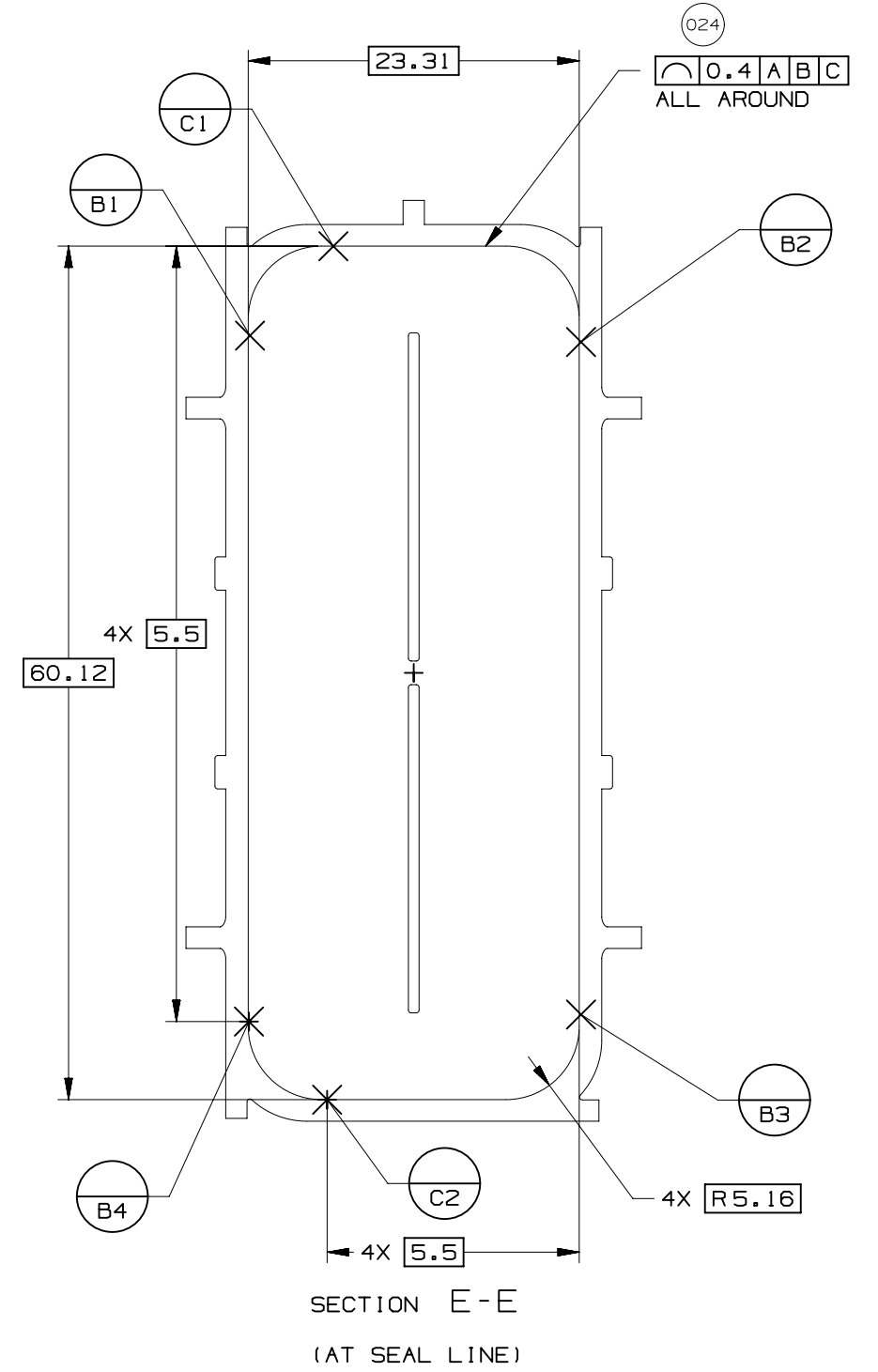
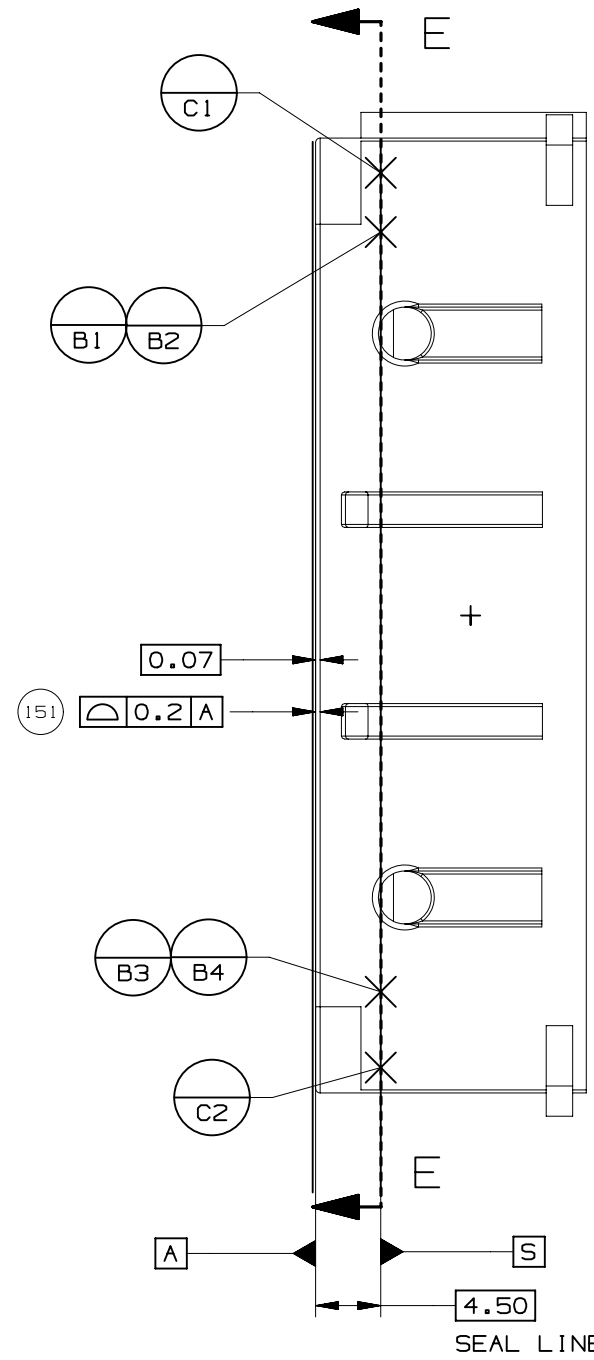
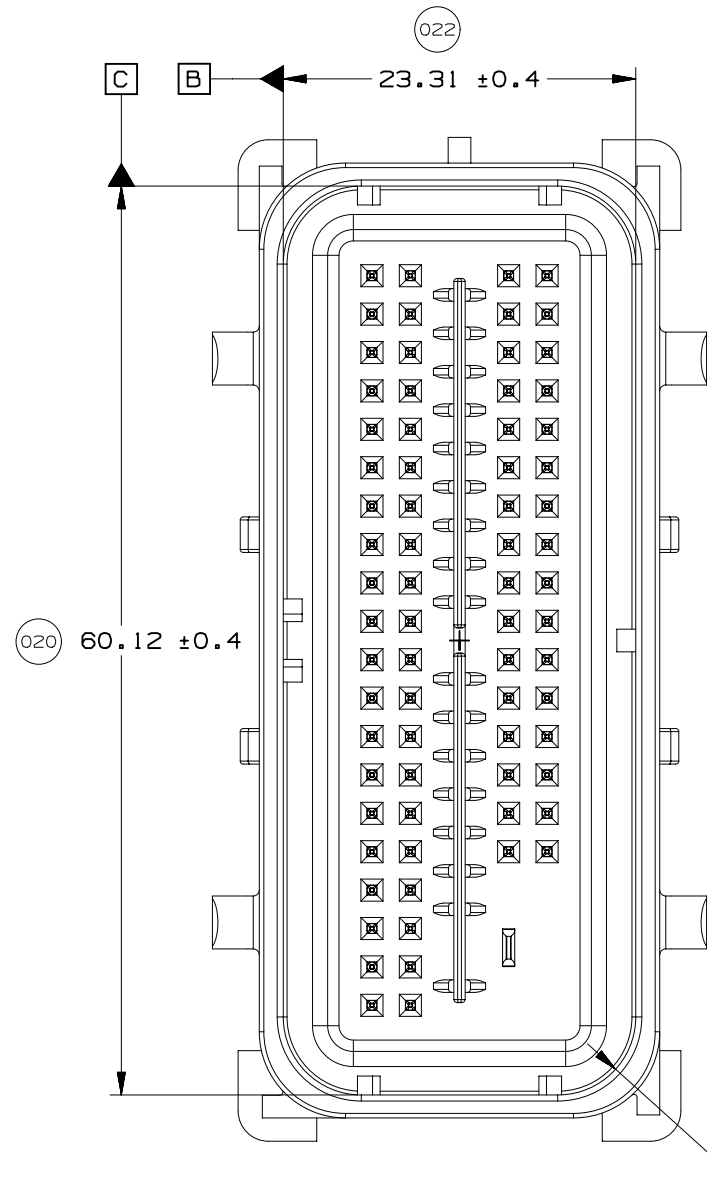
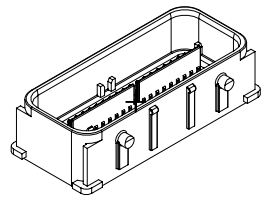


80 CKT COMPONENT CONNECTOR INTERFACE





	PAGE TITLE	DRAWING NUMBER	DWG STATUS			PAGE NUMBER	
	CIRCUIT CONFIGURATIONS		12642695	ST	REV	PDI	14 of 21
				R	002		



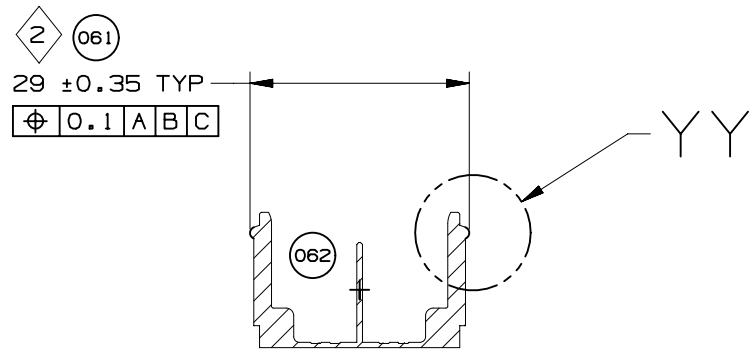
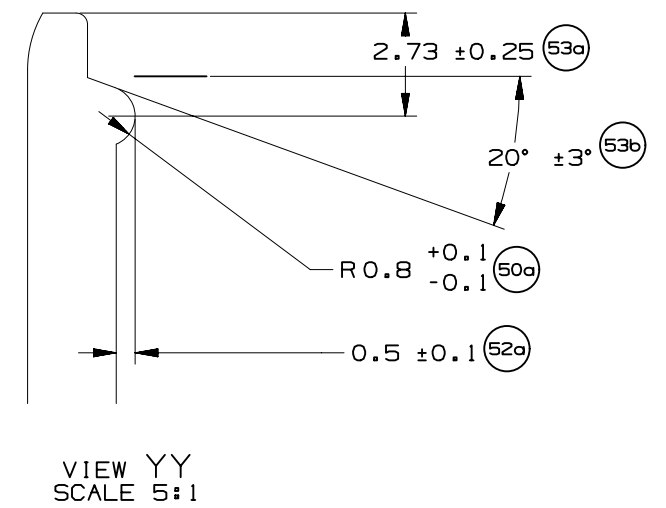
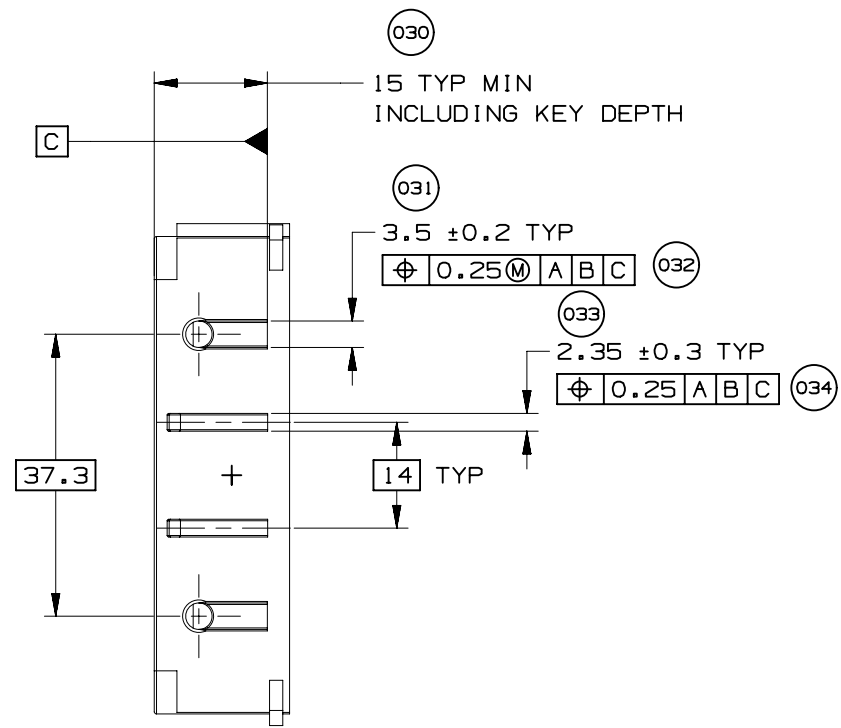
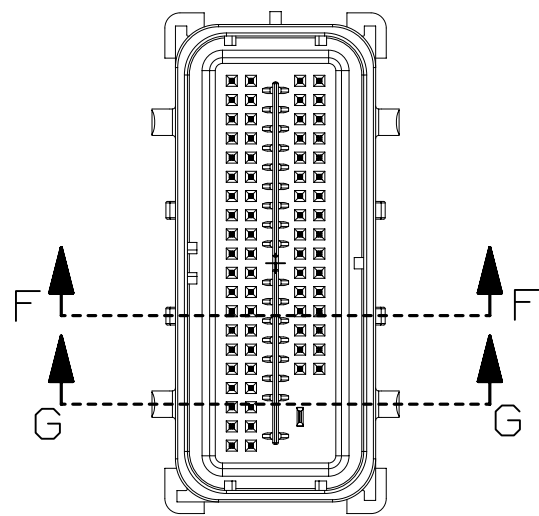
UNLESS SPECIFIED, TOLERANCE OF THE COMPONENT CONNECTOR INTERFACE TO BE  $\sqrt[0.13]{A B C}$



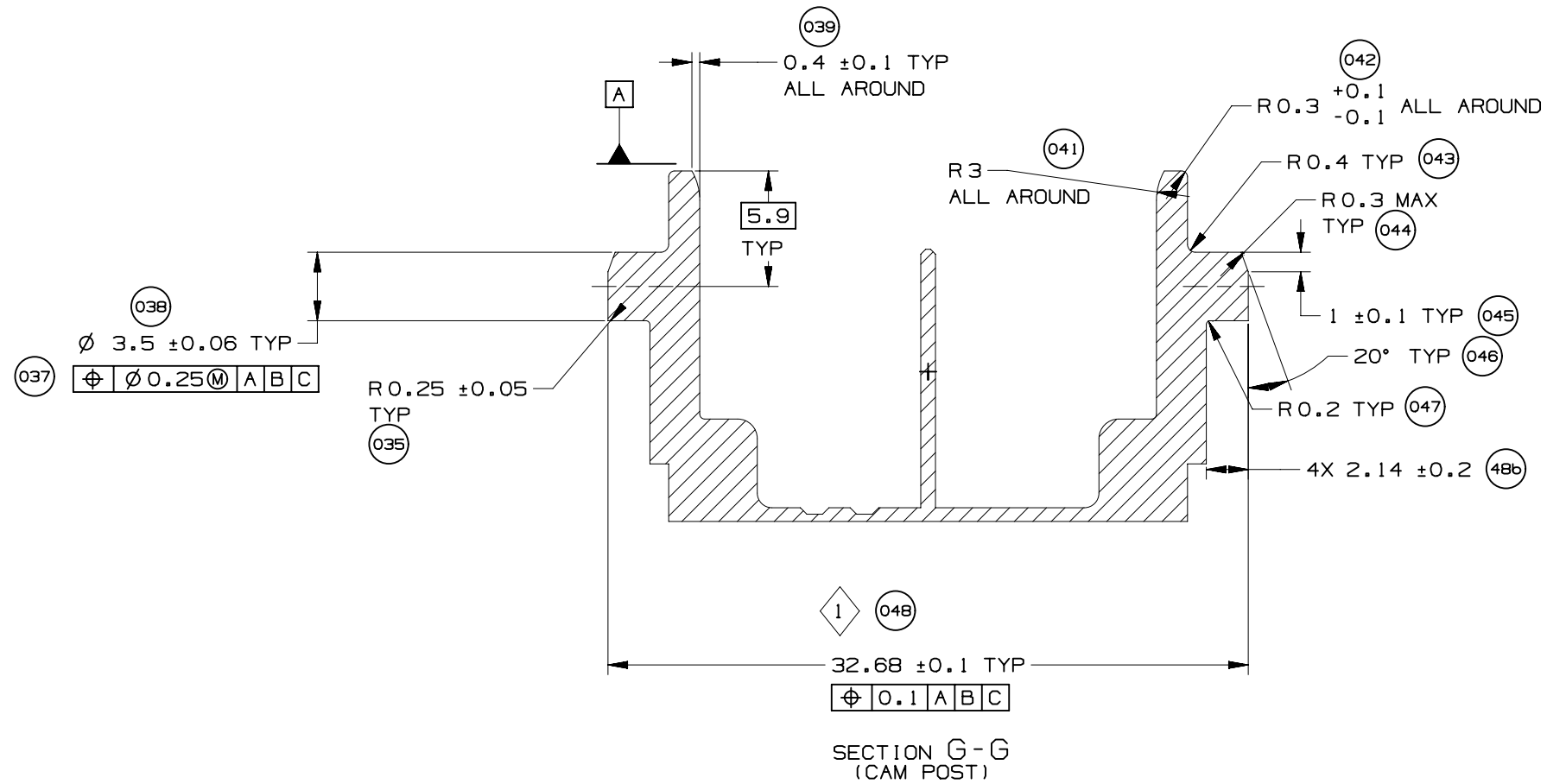
PAGE TITLE  
COMPONENT CONNECTOR INTERFACE

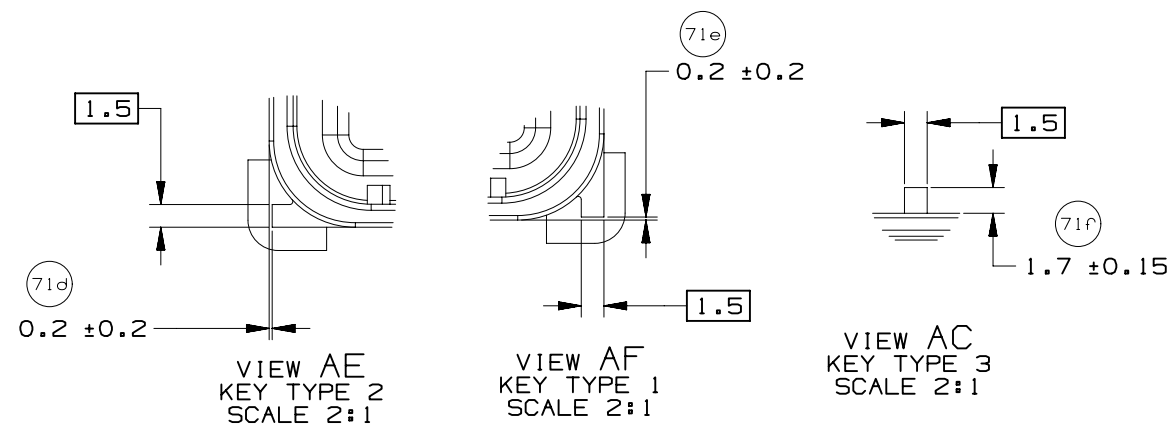
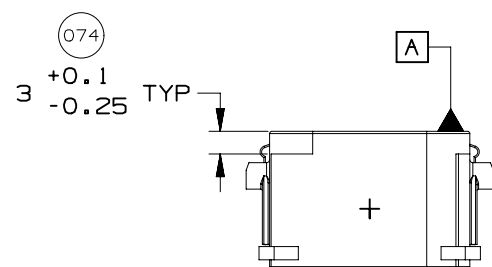
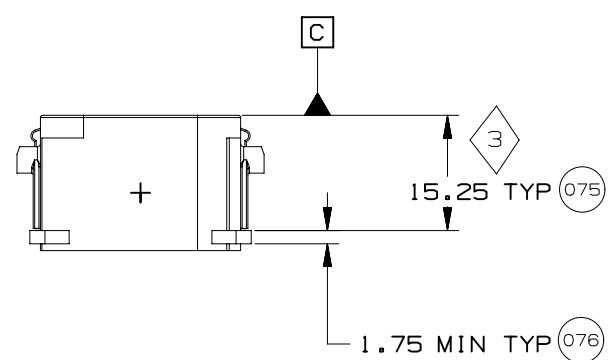
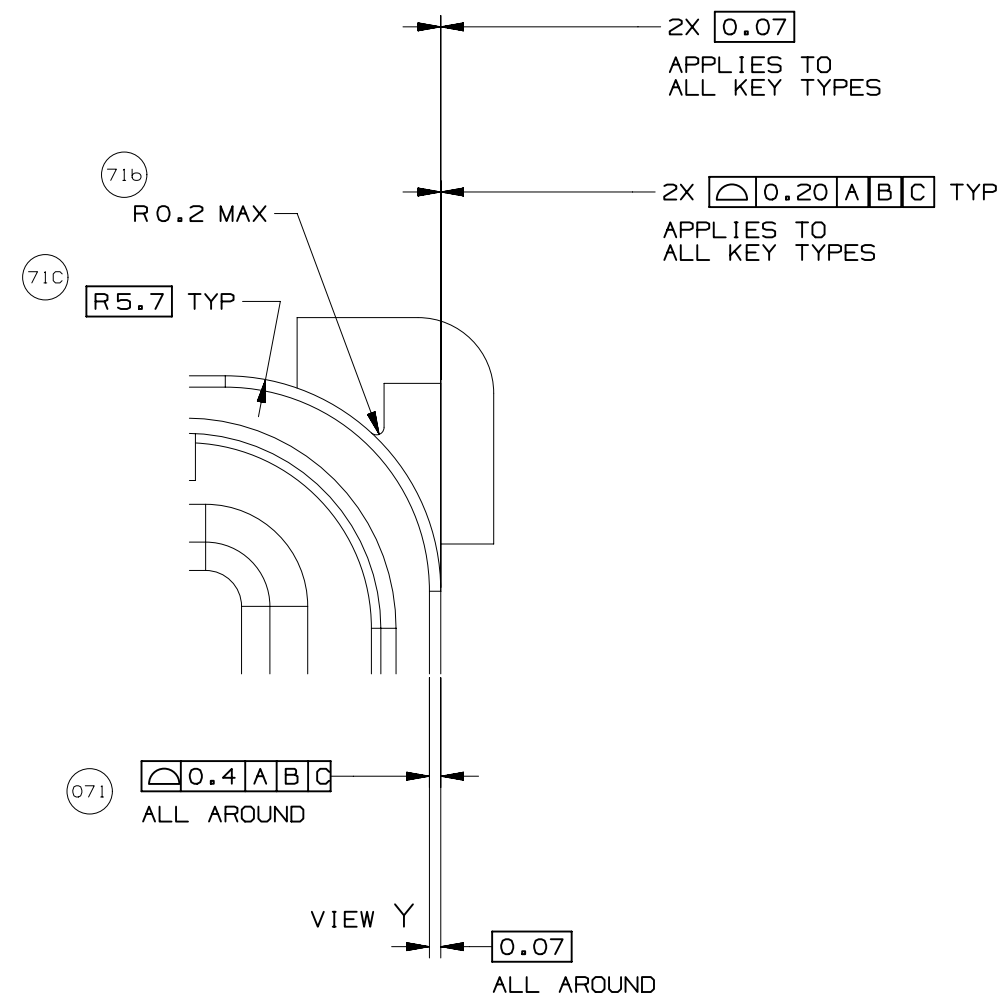
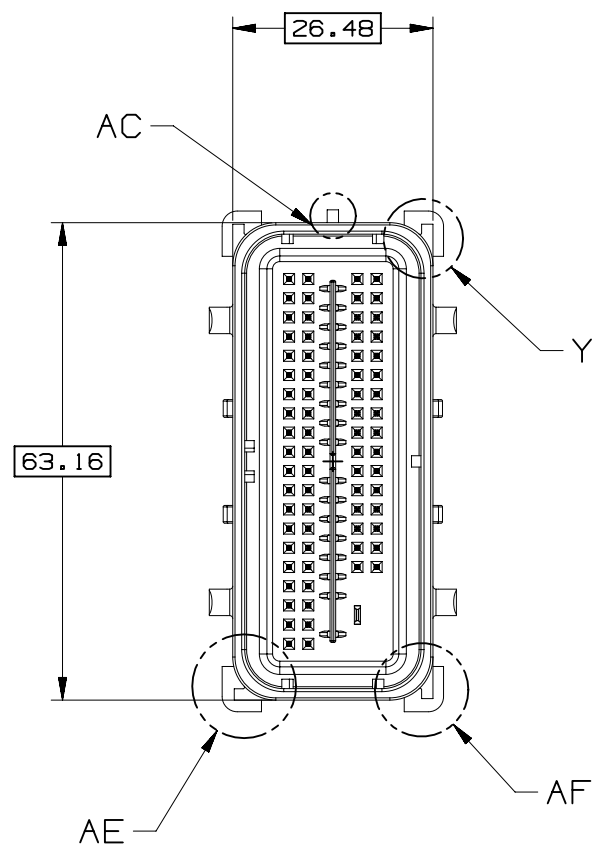
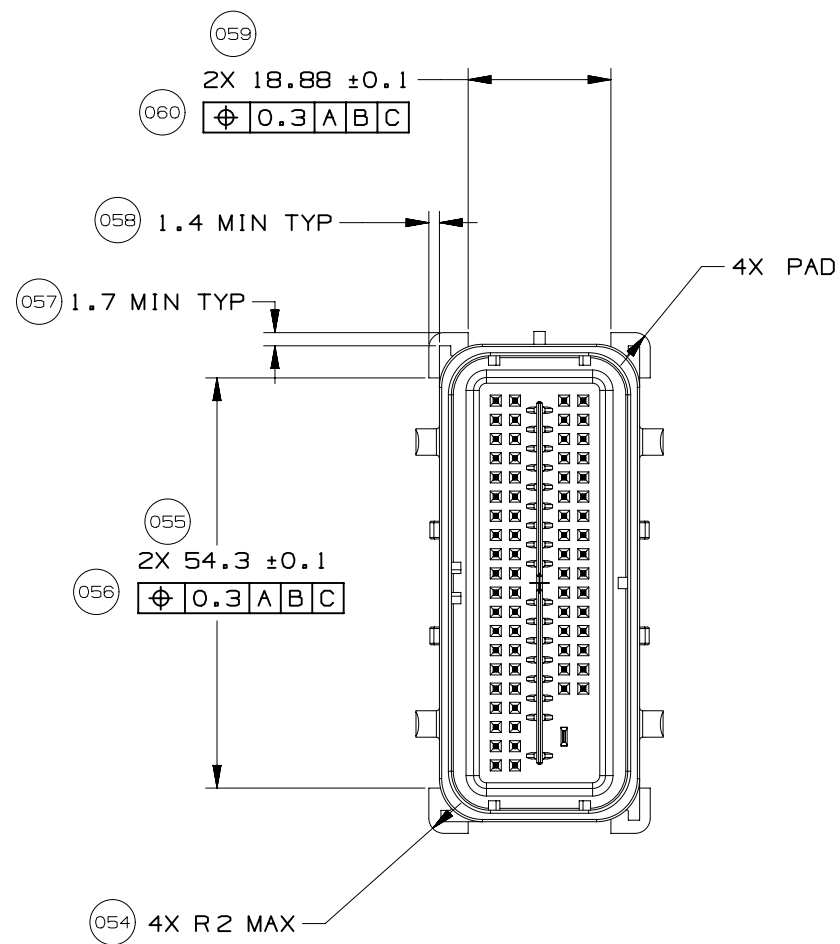
DRAWING NUMBER  
12642695

DWG STATUS			PAGE NUMBER
ST	REV	PD1	
R	002		15 OF 21



SECTION F-F

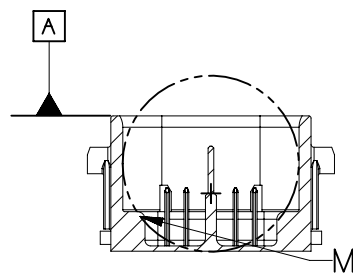
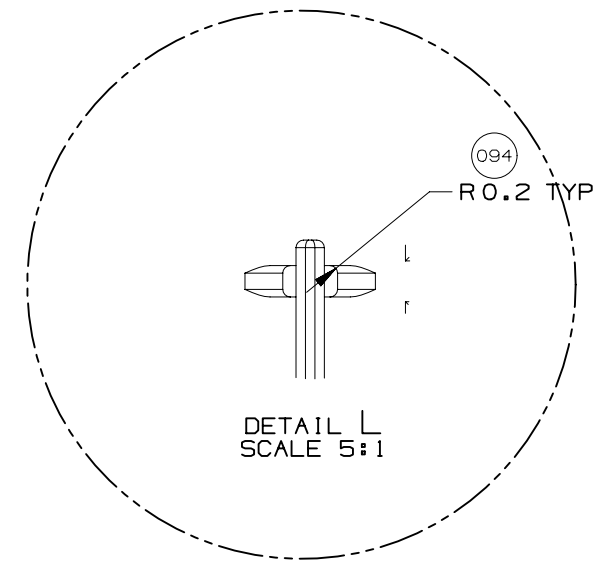
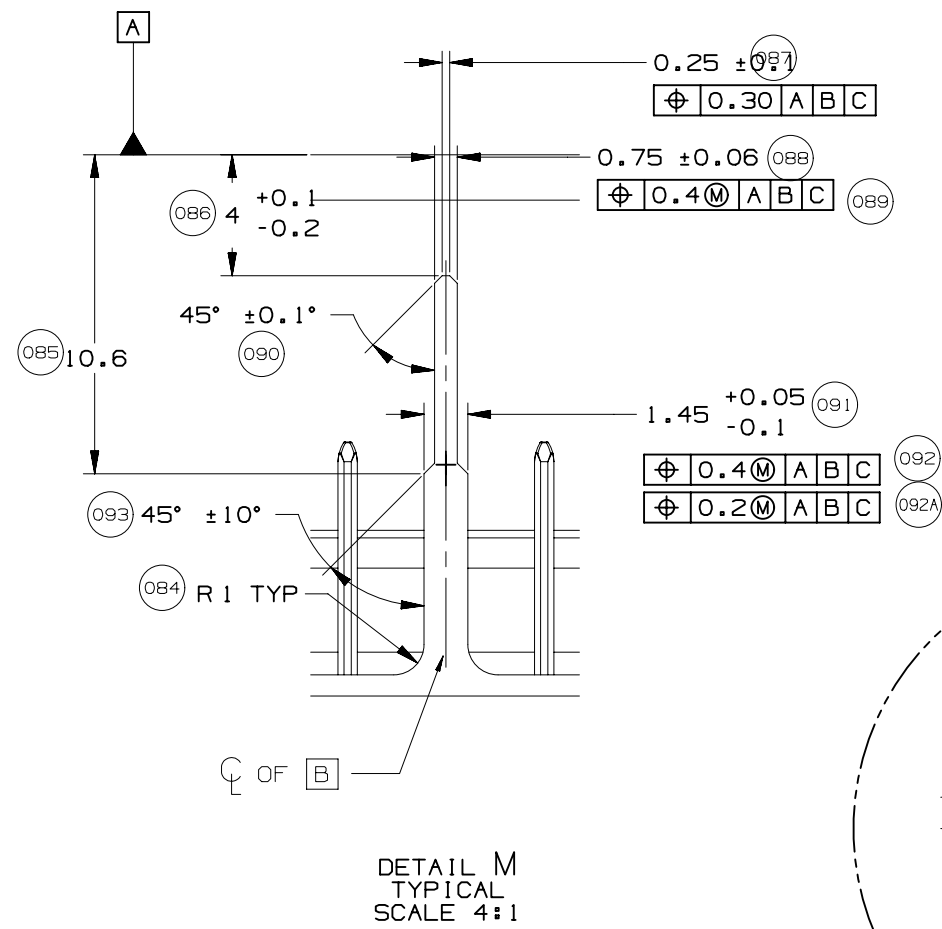
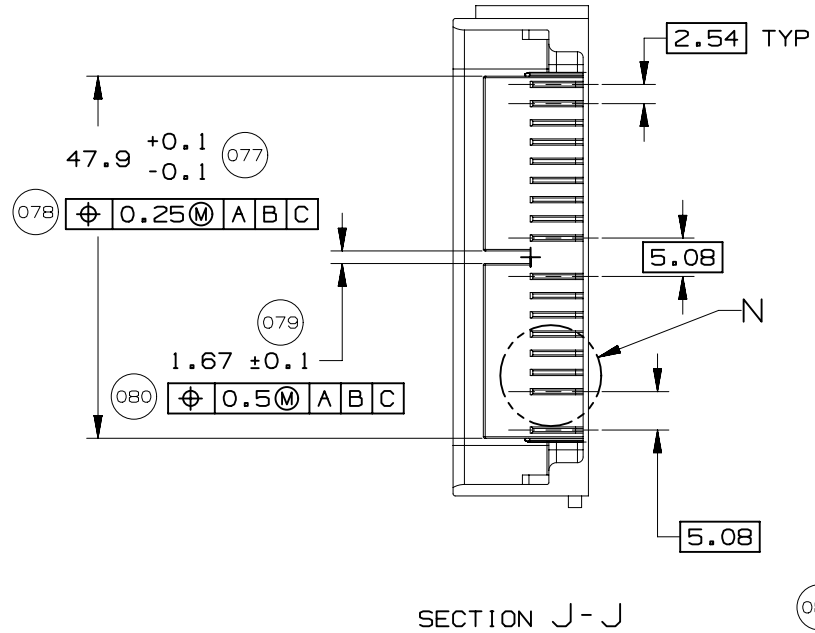
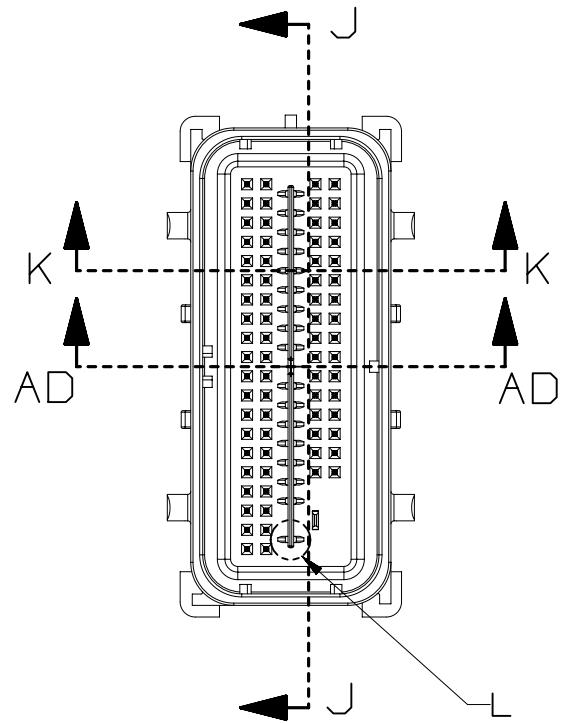




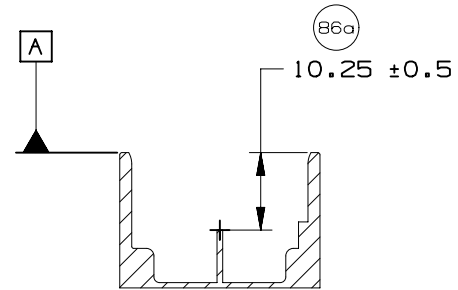
PAGE TITLE  
 COMPONENT CONNECTOR INTERFACE

DRAWING NUMBER  
 12642695

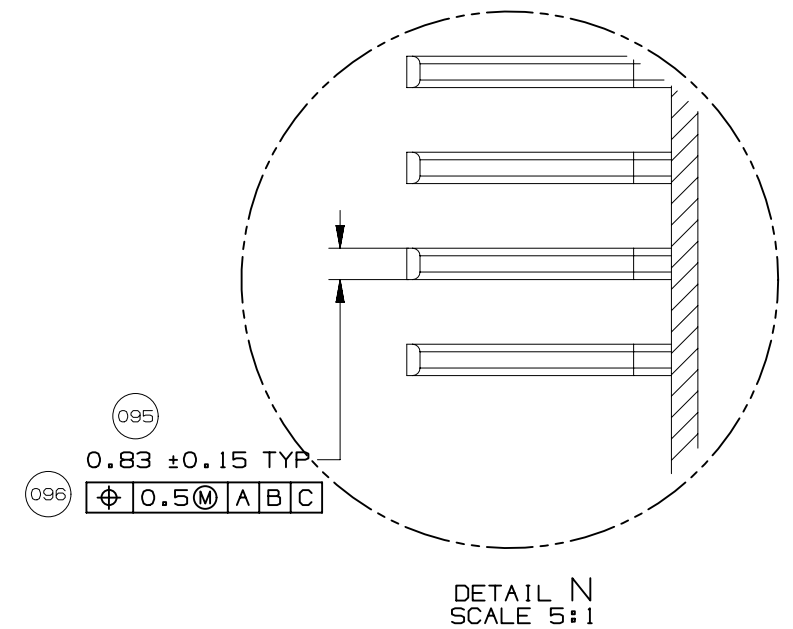
DWG STATUS			PAGE NUMBER
ST	REV	PD1	
R	002		17 OF 21



SECTION K-K



SECTION AD-AD



DETAIL N  
SCALE 5:1

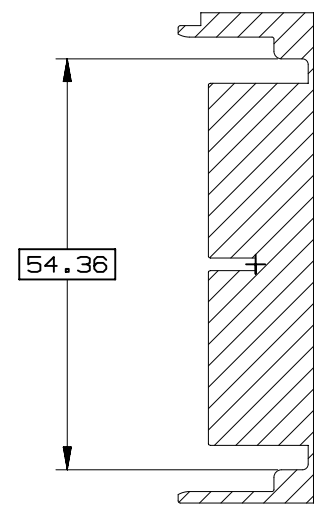
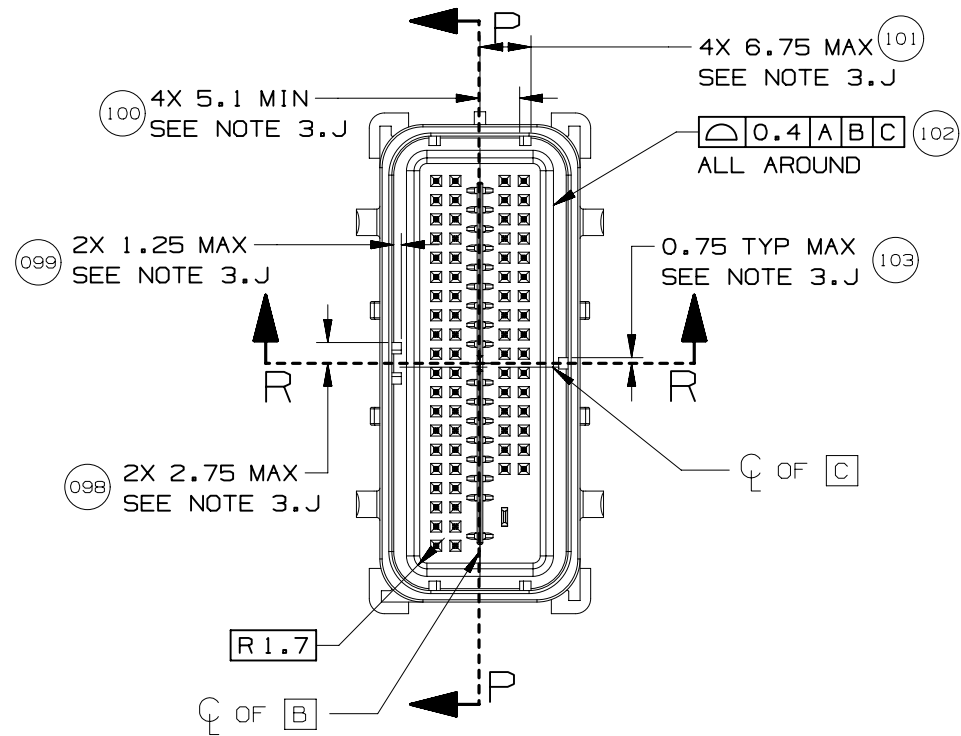


PAGE TITLE  
COMPONENT CONNECTOR INTERFACE

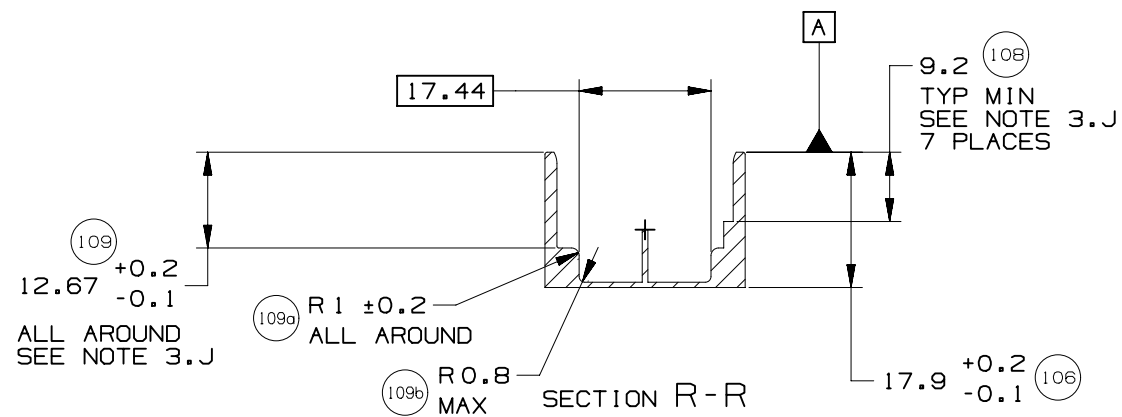
DRAWING NUMBER  
12642695

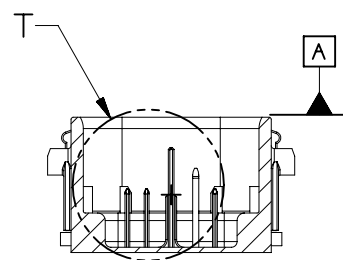
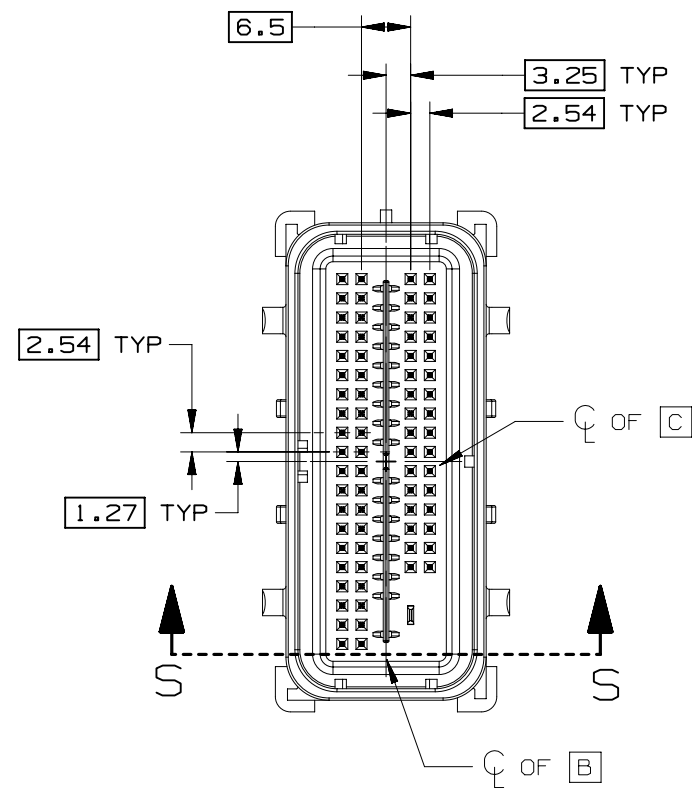
DWG STATUS		
ST	REV	PD1
R	002	

PAGE NUMBER  
18 OF 21

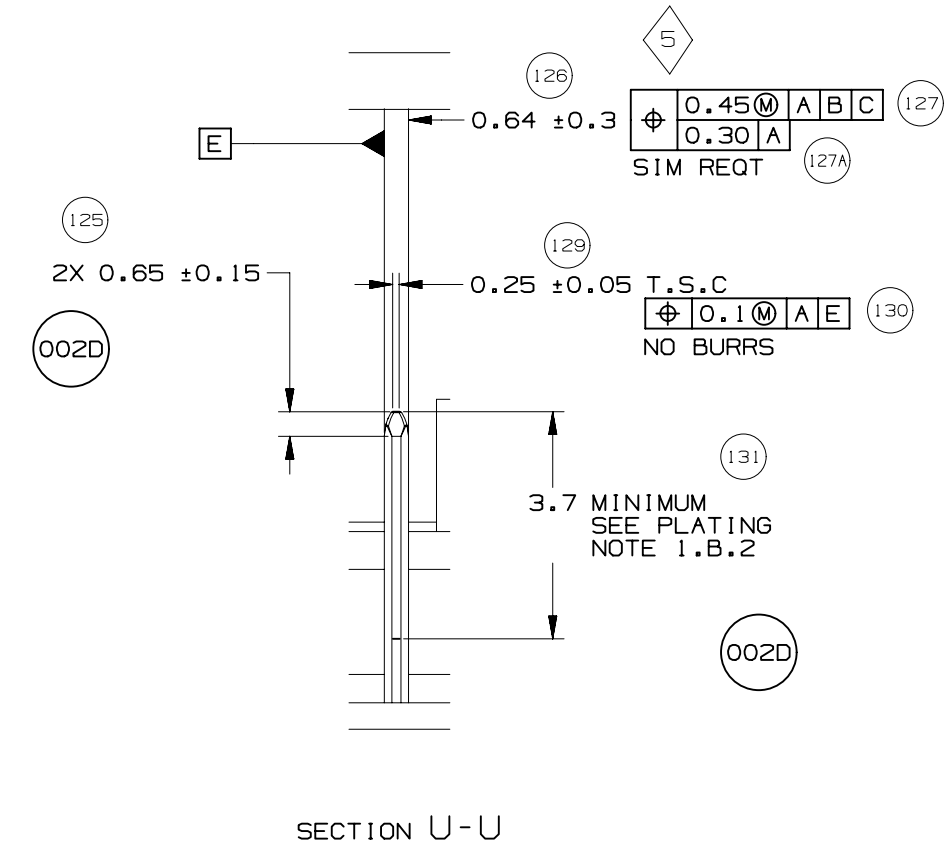
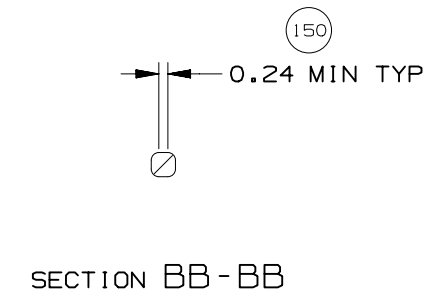
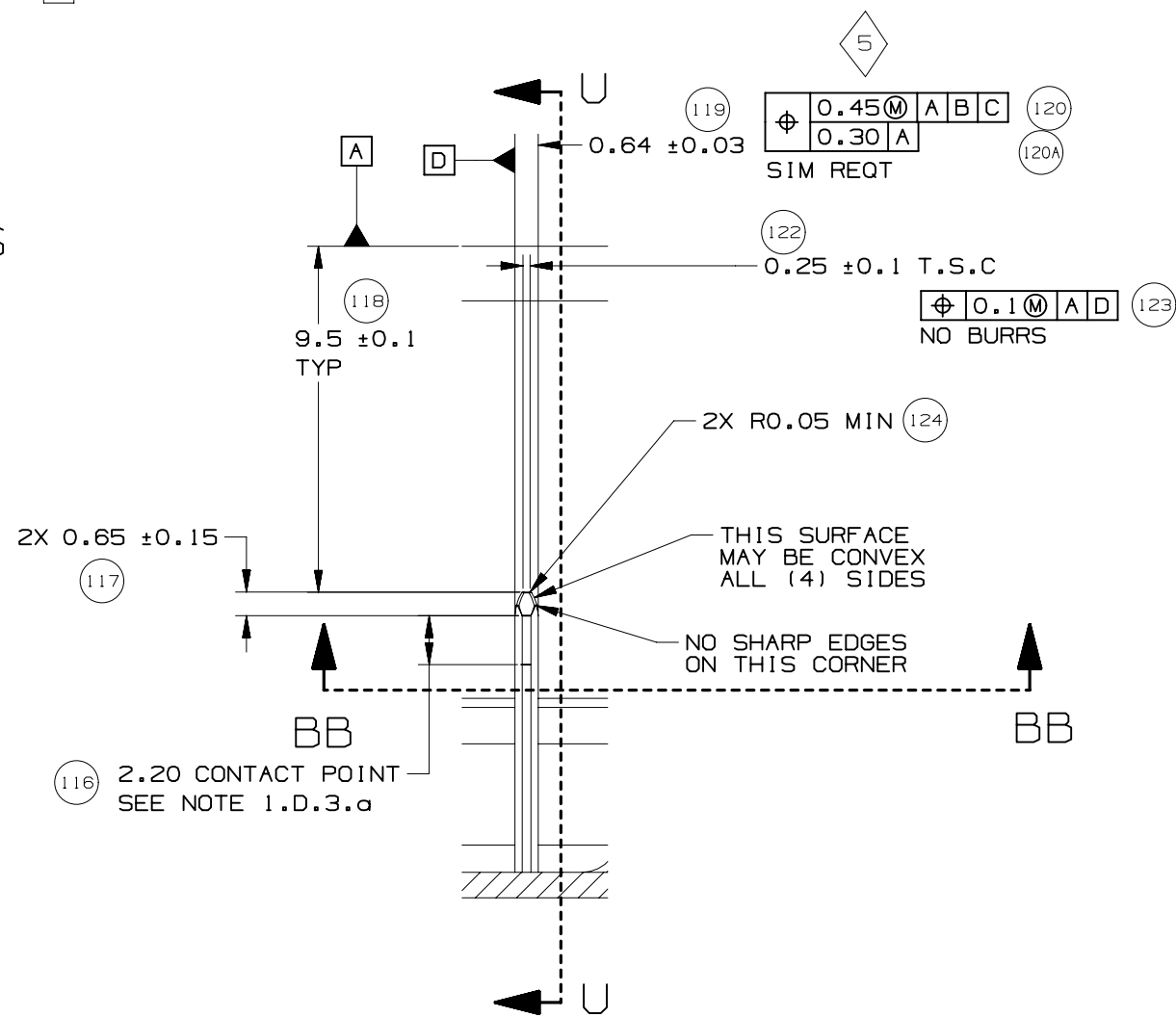


SECTION P-P

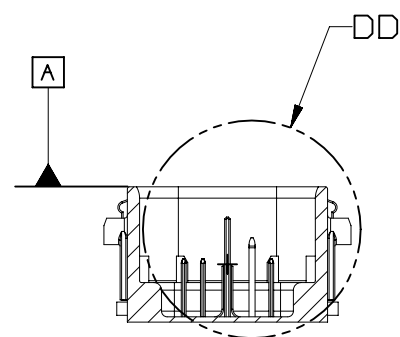
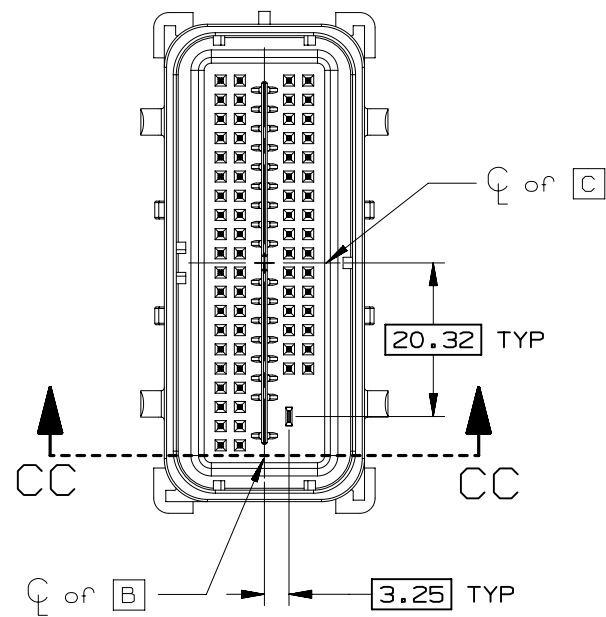




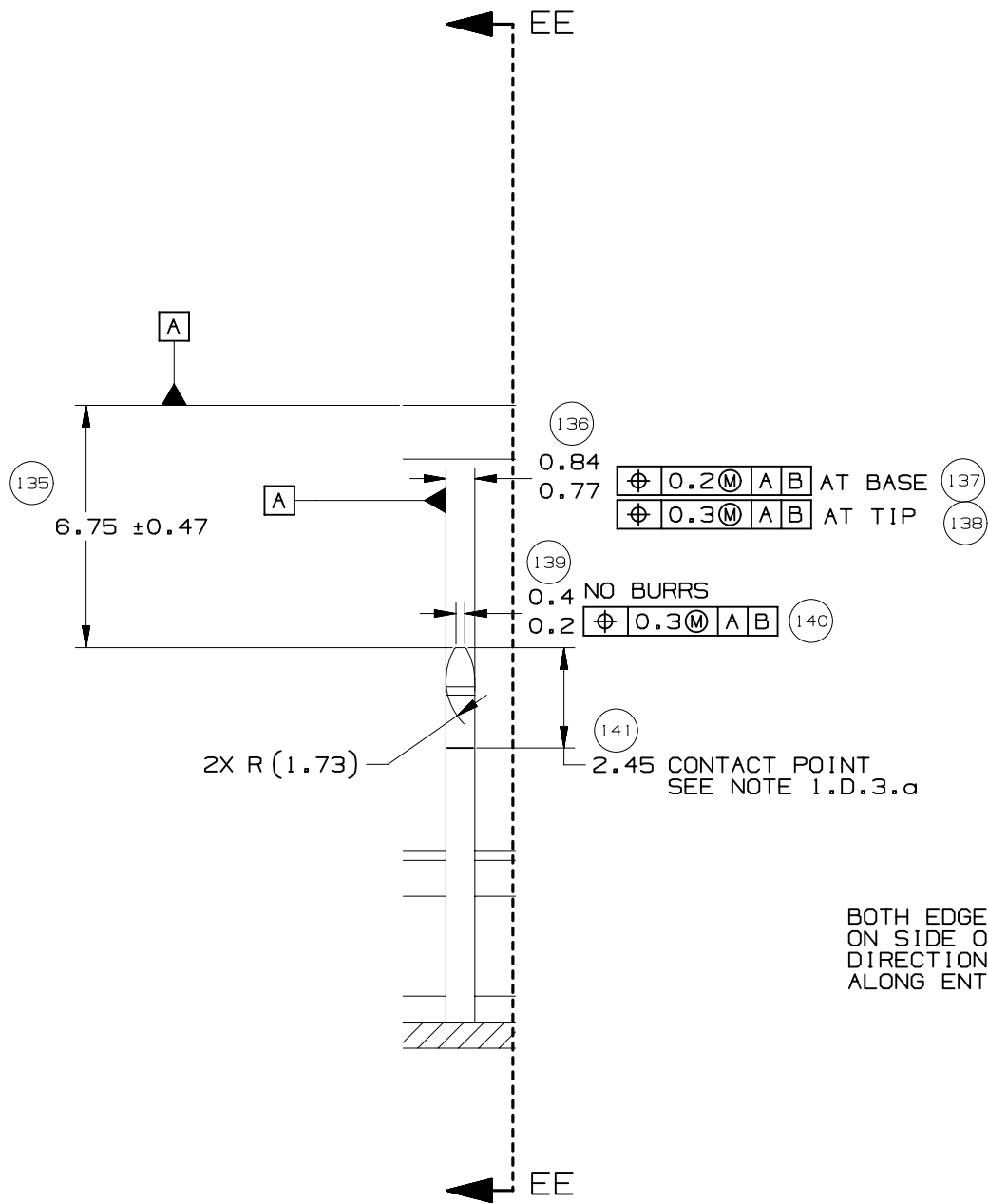
SECTION S-S



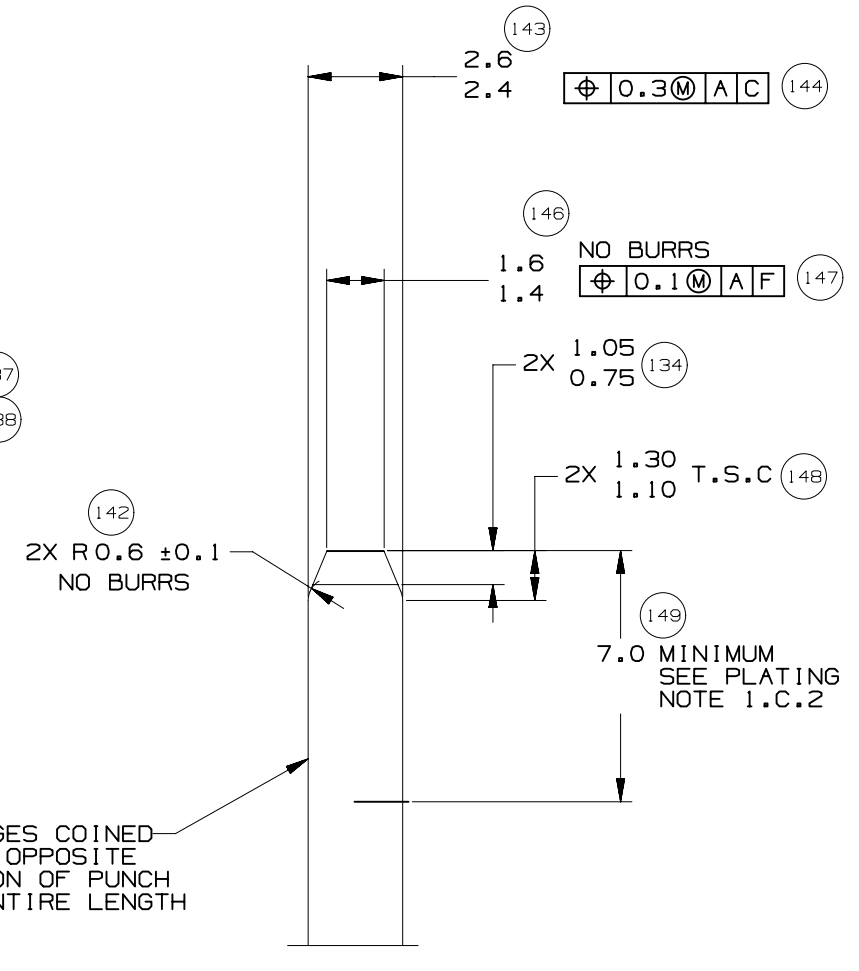




SECTION CC-CC



DETAIL DD  
TYPICAL  
SCALE 5:1

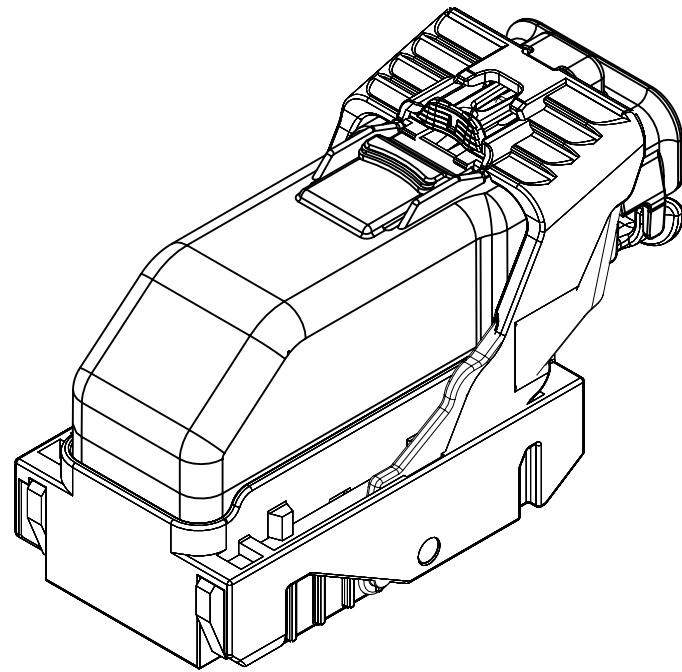


SECTION EE-EE  
TYPICAL


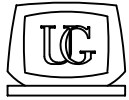
BOTH EDGES COINED  
ON SIDE OPPOSITE  
DIRECTION OF PUNCH  
ALONG ENTIRE LENGTH



INDEX	
PAGE TITLE	PAGE
TITLE BLOCK	1
REVISION BLOCK	2
PART BLOCK	3
KPC BLOCK	4
COMPONENT TABLE	5
NOTES	6
NOTES	7
WIRE DRESS PACKAGING DIMENSIONS	8
LOCATION AND PACKAGING DIMENSIONS REFERENCING INTERFACE DATUMS B & C	9
LOCATION AND PACKAGING DIMENSIONS REFERENCING INTERFACE DATUM A	10
KEY ID REF - WIRE DRESS OPTION 0	11
KEY ID REF - WIRE DRESS OPTION 9	12
CIRCUIT CONFIGURATIONS	13
CIRCUIT CONFIGURATIONS	14
COMPONENT CONNECTOR INTERFACE	15
COMPONENT CONNECTOR INTERFACE	16
COMPONENT CONNECTOR INTERFACE	17
COMPONENT CONNECTOR INTERFACE	18
COMPONENT CONNECTOR INTERFACE	19
COMPONENT CONNECTOR INTERFACE	20
COMPONENT CONNECTOR INTERFACE	21




ISO VIEW

	<p><b>UNLESS OTHERWISE SPECIFIED:</b> THIS DOCUMENT IS IN ACCORDANCE WITH ASME Y14.5M-1994 AS AMMENDED BY THE GM GLOBAL DIMENSIONING AND TOLERANCING ADDENDUM-1997. ALL GEOMETRIC TOLERANCES AND RELATED DATUMS APPLY RFS. RULE #1 (PERFECT FORM AT MMC) DOES NOT APPLY WHEN A RELATIONSHIP BETWEEN FEATURES IS ESTABLISHED BY ORIENTATION OR LOCATION TOLERANCES. SEPARATE POSITION CALLOUTS MAY BE GAGED SEPARATELY REGARDLESS OF DATUM REFERENCES.</p>			DATE						
	 CHANGE RESTRICTED NO MANUAL CHANGES	REFERENCE 12H (MOLEX AUTOMOTIVE)	DRAFTER J SZYMKOWSKI APVD1 D PFAFFINGER APVD2 B BURT APVD3 APVD4 APVD5	22DE05 22DE05 22DE05    						
DO NOT SCALE	DRAWING NAME HARNESS CONN ASM 66/73/80 CKTS									
METRIC DIMENSIONS SHOWN IN MILLIMETERS UNLESS OTHERWISE SPECIFIED	DRAWING NUMBER 12642695		DWG STATUS <table border="1"> <tr> <th>ST</th> <th>REV</th> <th>PD1</th> </tr> <tr> <td>R</td> <td>002</td> <td></td> </tr> </table>		ST	REV	PD1	R	002	
ST	REV	PD1								
R	002									
			PAGE NUMBER 1 OF 21							

PAGE	DWG STATUS					REVISION HISTORY	AUTH	DR	CK	ENG
	DATE	ST	REV	CHG	PDI					
	19DE11	R	001			RELEASED TO PRODUCTION AT DLS A	CRMRJB	SC	MRO	GF
3	08MY15	R	002	A		REORDERED PART BLOCK AND ADDED MASS CORRECTED P/N TYPO FROM 12562676 TO 12582676				
3, 5		R	002	B		ADDED 12659312, 12659313, 12653574 AND 12653575				
6		R	002	C		REMOVED NOTE 1 . D . 3 . C				
20		R	002	D		DIM 125 WAS 3.25 DIM 131 WAS 5.5	CRMRJD	DFK	MRO	GF

PAGE	DWG STATUS					REVISION HISTORY	AUTH	DR	CK	ENG
	DATE	ST	REV	CHG	PDI					

	PAGE TITLE	DRAWING NUMBER	DWG STATUS			PAGE NUMBER	
	REVISION BLOCK		12642695	ST	REV	PDI	2 OF 21
				R	002		



KEY PRODUCT CHARACTERISTICS  
(IN ACCORDANCE WITH QN 1805 OR ON 1050)



SAFETY/COMPLIANCE

TOTAL ON  
DRAWING

5



FIT/FUNCTION

LAST NO.  
USED

5

NO	TYPE	DESCRIPTION	RATIONALE	PAGE/ZONE
1	F/F	32.68	IMPROVE CONNECTOR SYSTEM MATING	15
2	F/F	29.00	INSURE PROPER RELEASE OF LEVER	15
3	F/F	15.25	INSURE FINAL MATE POSITION	16
5	F/F	POSITIONAL TOLERANCE (2 PLACES)	INSURE CONNECTOR SYSTEM MATEABILITY	19



PAGE TITLE  
KPC BLOCK

DRAWING NUMBER

12642695

DWG STATUS

ST	REV	PD1
----	-----	-----

R	002	
---	-----	--

PAGE NUMBER

4 OF 21

LINE	MFG.	MFG. P/N	GM P/N	EFFECTIVE DATE	APPLICABLE COMPONENTS	KEY OPTION	WIRE DRESS OPTION	KEY CONFIG.	COLOR	STATUS
					DESCRIPTION					
-										
1	MOLEX	34565-0003	12582676	02JN03	MX123 DRESS COVER 66/73/80 CKT	N/A	N/A	N/A	BLACK	AVAILABLE
2	MOLEX	34822-0013	12642692	01SP13	MX123 HRNS CONN ASSY 66 CKT	A	0	1458	BLACK	AVAILABLE
3	MOLEX	34822-0033	12659312	01SP13	MX123 HRNS CONN ASSY 66 CKT	C	0	2467	BLUE	AVAILABLE
4	MOLEX	34822-0023	12642693	01SP13	MX123 HRNS CONN ASSY 66 CKT	A	9	1458	BLACK	AVAILABLE
5	MOLEX	34822-0043	12659313	01SP13	MX123 HRNS CONN ASSY 66 CKT	C	9	2467	BLUE	AVAILABLE
6	MOLEX	34566-0103	12582677	11JN04	MX123 HRNS CONN ASSY 73 CKT	A	0	1458	BLACK	AVAILABLE
7	MOLEX	34566-0203	12582678	11JN04	MX123 HRNS CONN ASSY 73 CKT	B	0	1468	ST GRAY	AVAILABLE
8	MOLEX	34566-0303	12615654	09AP08	MX123 HRNS CONN ASSY 73 CKT	C	0	2467	BLUE	AVAILABLE
9	MOLEX	34566-0403	12647268	T.B.D	MX123 HRNS CONN ASSY 73 CKT	D	0	2367	BROWN	NOT ACTIVE
10	MOLEX	34566-0503	AMJ28633	T.B.D	MX123 HRNS CONN ASSY 73 CKT	E	0	2468	GREEN	NOT ACTIVE
11	MOLEX	34566-0603	12653574	05DC14	MX123 HRNS CONN ASSY 73 CKT	F	0	1357	NATURAL	AVAILABLE
12	MOLEX	34566-0703	12588057	09AP08	MX123 HRNS CONN ASSY 80 CKT	G	0	1358	BLUE	AVAILABLE
13	MOLEX	34566-0803	12588058	11JN04	MX123 HRNS CONN ASSY 80 CKT	H	0	2458	ST GRAY	AVAILABLE
14	MOLEX	34566-0903	12615656	T.B.D	MX123 HRNS CONN ASSY 80 CKT	J	0	2457	BLACK	NOT ACTIVE
15	MOLEX	34566-1003	AMJ28595	T.B.D	MX123 HRNS CONN ASSY 80 CKT	K	0	2357	BROWN	NOT ACTIVE
16	MOLEX	34566-1103	AMJ29057	T.B.D	MX123 HRNS CONN ASSY 80 CKT	L	0	2368	GREEN	NOT ACTIVE
17	MOLEX	34566-1203	AMJ28669	T.B.D	MX123 HRNS CONN ASSY 80 CKT	M	0	2358	NATURAL	NOT ACTIVE
18	MOLEX	34566-1303	12603596	11JN04	MX123 HRNS CONN ASSY 73 CKT	A	9	1458	BLACK	AVAILABLE
19	MOLEX	34566-1403	12603597	11JN04	MX123 HRNS CONN ASSY 73 CKT	B	9	1468	ST GRAY	AVAILABLE
20	MOLEX	34566-1503	12615655	09AP08	MX123 HRNS CONN ASSY 73 CKT	C	9	2467	BLUE	AVAILABLE
21	MOLEX	34566-1603	12647269	T.B.D	MX123 HRNS CONN ASSY 73 CKT	D	9	2367	BROWN	NOT ACTIVE
22	MOLEX	34566-1703	AMJ28698	T.B.D	MX123 HRNS CONN ASSY 73 CKT	E	9	2468	GREEN	NOT ACTIVE
23	MOLEX	34566-1803	12653575	05DC14	MX123 HRNS CONN ASSY 73 CKT	F	9	1357	NATURAL	AVAILABLE
24	MOLEX	34566-1903	12603598	09AP08	MX123 HRNS CONN ASSY 80 CKT	G	9	1358	BLUE	AVAILABLE
25	MOLEX	34566-2003	12603599	11JN04	MX123 HRNS CONN ASSY 80 CKT	H	9	2458	ST GRAY	AVAILABLE
26	MOLEX	34566-2103	12615657	T.B.D	MX123 HRNS CONN ASSY 80 CKT	J	9	2457	BLACK	NOT ACTIVE
27	MOLEX	34566-2203	AMJ29117	T.B.D	MX123 HRNS CONN ASSY 80 CKT	K	9	2357	BROWN	NOT ACTIVE
28	MOLEX	34566-2303	AMJ29136	T.B.D	MX123 HRNS CONN ASSY 80 CKT	L	9	2368	GREEN	NOT ACTIVE
29	MOLEX	34566-2403	AMJ29214	T.B.D	MX123 HRNS CONN ASSY 80 CKT	M	9	2358	NATURAL	NOT ACTIVE
30	MOLEX	34736-2002	12642697	01AU10	MX64 RCPT TERM Ag 18/20 GAGE B (RIGHT PAYOFF)	N/A	N/A	N/A	N/A	AVAILABLE
31	MOLEX	34736-2001	12642696	01AU10	MX64 RCPT TERM Ag 22 GAGE B (RIGHT PAYOFF)	N/A	N/A	N/A	N/A	AVAILABLE
32	MOLEX	34586-0001	T.B.D.	11JN04	MX123 0.64MM GROMMET PLUG	N/A	N/A	N/A	NATURAL	AVAILABLE
33	YAZAKI	7116-4150-02	12588066	02JN03	2.8mm YESC SEALED FEMALE TERMINAL TIN 20/22 GAGE (CABLE RANGE 0.30mm-0.60mm)	N/A	N/A	N/A	N/A	NOT ACTIVE
34	YAZAKI	7116-4151-02	12588067	02JN03	2.8mm YESC SEALED FEMALE TERMINAL TIN 16/18 GAGE (CABLE RANGE 0.75mm-1.40mm)	N/A	N/A	N/A	N/A	NOT ACTIVE
35	YAZAKI	7116-4152-02	12582685	02JN03	2.8mm YESC SEALED FEMALE TERMINAL TIN 14 GAGE (CABLE RANGE 1.50mm-2.50mm)	N/A	N/A	N/A	N/A	AVAILABLE
36	YAZAKI	7158-3111-60	12588068	02JN03	2.8mm CABLE SEAL (wire O.D. range 1.20mm-1.90mm)	N/A	N/A	N/A	GREEN	NOT ACTIVE
37	YAZAKI	7158-3112-70	12588069	02JN03	2.8mm CABLE SEAL (wire O.D. range 1.80mm-2.30mm)	N/A	N/A	N/A	YELLOW	NOT ACTIVE
38	YAZAKI	7158-3113-40	12582686	02JN03	2.8mm CABLE SEAL (wire O.D. range 2.18mm-3.00mm)	N/A	N/A	N/A	WHITE	AVAILABLE
39	YAZAKI	7158-3114-90	T.B.D	02JN03	2.8mm YESC CAVITY PLUG	N/A	N/A	N/A	BLUE	AVAILABLE
40	MOLEX	63811-4200	XX019825	02JN03	MX64 TERM HAND CRIMP TOOL	N/A	N/A	N/A	N/A	AVAILABLE
41	MOLEX	63813-1400	XX019826	02JN03	MX64 TERM SERVICE TOOL	N/A	N/A	N/A	N/A	AVAILABLE
42	MOLEX	63865-8000	XX019827	02JN03	MX64 CRIMP APPLICATOR with TOOL KIT 18/20 GAGE PAYOFF DIRECTION D (left payoff) (contact Molex for payoff detail)	N/A	N/A	N/A	N/A	AVAILABLE
43	MOLEX	63865-8070	XX019828	02JN03	MX64 APPLICATOR TOOL KIT 18/20 GAGE	N/A	N/A	N/A	N/A	AVAILABLE
44	MOLEX	63865-8100	XX019829	02JN03	MX64 CRIMP APPLICATOR with TOOL KIT 22 GAGE PAYOFF DIRECTION D (left payoff) (contact Molex for payoff detail)	N/A	N/A	N/A	N/A	AVAILABLE
45	MOLEX	63865-8170	XX019830	02JN03	MX64 APPLICATOR TOOL KIT 22 GAGE	N/A	N/A	N/A	N/A	AVAILABLE
46	SPX	J35616-64	T.B.D.	02JN03	0.64mm PROBE TOOL (for rcpt)	N/A	N/A	N/A	N/A	AVAILABLE
47	SPX	J35616-64A	T.B.D.	02JN03	0.64mm PROBE TOOL WITH EXT (for rcpt)	N/A	N/A	N/A	N/A	AVAILABLE
48	SPX	J35616-65	T.B.D.	02JN03	0.64mm PROBE TOOL WITH EXT (for pin)	N/A	N/A	N/A	N/A	AVAILABLE
49	SPX	J35616-4A	T.B.D.	02JN03	2.8mm PROBE TOOL (for rcpt)	N/A	N/A	N/A	N/A	AVAILABLE
50	YAZAKI	X39899-J374	12094430	02JN03	2.8mm TERM SERVICE TOOL	N/A	N/A	N/A	N/A	AVAILABLE

002B

\* - MX123 DRESS COVER 73/80/66 CKT MATES TO ANY MX123 HARN CONN ASSY SHOWN ON TABLE ABOVE



PAGE TITLE  
COMPONENT TABLE

DRAWING NUMBER  
12642695

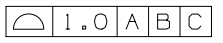
DWG STATUS			PAGE NUMBER
ST	REV	PD1	
R	002		5 OF 21

NOTES: UNLESS OTHERWISE SPECIFIED

1. MATERIAL FOR INTERFACE:

- A. RESIN:
  - 1. 30% G.F. PBT; 20% MAX. (BY WEIGHT) REGRIND.
  - 2. MATING CONNECTOR INTERFACE PART COLOR MUST BE SAME AS MATCHING KEYED HARNESS CONNECTOR ASSEMBLY.
  - 3. MUST BE VALIDATED FOR INDIVIDUAL DEVICE APPLICATION REQUIREMENTS.
- B. 0.64MM PINS:
  - 1. BASE MATERIAL: COPPER ALLOY; CONDUCTIVITY >= 28% IACS AT 20°C; TENSILE STRENGTH >= 635 N/mm<sup>2</sup>; SURFACE ROUGHNESS R<sub>a</sub> 6 MAX.
  - 2. PLATING FINISH: SILVER (Ag). PLATING TO BE 1.9-3.3 μm ELECTRODEPOSITED SEMI-BRIGHT SILVER OVER 1.25-2.25 μm DUCTILE SULPHAMATE NICKEL PER NOTE 1(D).
  - 3. ANTI-TARNISH: SYNTHETIC HYDROCARBON CONTACT SURFACE FINISH OR EQUIVALENT APPLIED WITHOUT VOID TO CONTACT AREA (MIN 3.7mm FROM PIN TIP).
- C. 2.8MM BLADE:
  - 1. BASE MATERIAL: COPPER ALLOY; CONDUCTIVITY >= 28% IACS AT 20°C; TENSILE STRENGTH >= 350 N/mm<sup>2</sup>; SURFACE ROUGHNESS R<sub>a</sub> 6 MAX.
  - 2. PLATING FINISH: TIN. PLATING TO BE 2.5-5.0 μm ELECTRODEPOSITED TIN, MATTE FINISH OVER 1.25-2.5 μm DUCTILE SULPHAMATE NICKEL PER NOTE 1(D).
- D. PLATING REQUIREMENTS:
  - 1. SILVER PLATING
    - a. 99.5% PURE SEMI-BRIGHT WITH NO ORGANIC BRIGHTNERS OR CHROMATES.
  - 2. NICKEL PLATING
    - a. ELECTRODEPOSITED DUCTILE SULFAMATE NICKEL WITH A NON-BRIGHTENED FINISH. NO ORGANIC OR BRIGHTENING AGENTS SHALL BE ALLOWED.
    - b. SHALL ONLY BE USED AS AN UNDERLYING PLATING AND MAY NOT BE USED AS AN ELECTRICAL CONTACT SURFACE PLATING.
    - c. SHALL BE NODULE FREE WHEN VIEWED AT 10X MAGNIFICATION IN MEASURED IN CONTACT SURFACE AREA PLUS 0.5MM PERIMETER AROUND THE CONTACT SURFACE AREA.
    - d. ALL PLATINGS SHALL HAVE A 1.0% MAXIMUM BY WEIGHT IMPURITIES. IMPURITIES ARE DEFINED AS ALL ELEMENTS NOT THE PRIMARY PLATING OR HARDENING AGENT IF APPLICABLE, AS DETERMINED BY WET CHEMICAL ANALYSIS OR AUGER METHOD. NO SINGLE IMPURITY SHALL EXCEED 0.1% MAXIMUM BY WEIGHT.
  - 3. TESTING
    - a. THICKNESS TO BE MEASURED IN CONTACT SURFACE AREA PLUS 0.5MM PERIMETER AROUND THE CONTACT SURFACE AREA AS DESIGNATED IN THE DRAWING. THICKNESS SHALL BE DETERMINED BY METHOD OF X-RAY (XRF).
    - b. PLATING ADHESION SHALL BE TESTED BY A BEND TEST FOR ALL METALS. THE TEST SAMPLE SHALL BE BENT 90 DEGREES TO DETERMINE DEPOSIT ADHESION. TESTING SHALL BE COMPLETED IN ACCORDANCE WITH ASTM SPEC B571.


2. DESIGN - GENERAL:

- A. THIS IS A 100% CAD GENERATED PART. THE CAD MATHEMATICAL DATA IS THE MASTER FOR THIS PART. FOR DIMENSIONAL OR ANY INFORMATION NOT SHOWN ON THIS DRAWING, ANALYZE THE CAD MODEL.
- B. TOLERANCES:
  - 1. LINEAR
    - 0.X ± 0.30
    - 0.XX ± 0.10
    - 0.XXX ± 0.10
  - 2. ANGULAR X° ± 3°
  - 3. 
- C. MINIMUM WALL THICKNESS REQUIRED: 1.3mm.
- D. CORNERS SHOWN AS SHARP TO BE R 0.2 MAX.
- E. LETTERING SHALL BE 0.15 MAX RAISED IN 0.20 MAX RECESS PAD. THIS INCLUDES MATERIAL CODE, RECYCLING CODE, CAVITY ID AND DATE CODE.
- F-1. PARTS MUST BE FREE OF DISCOLORATION, SALT RESIDUE AND OTHER IMPERFECTIONS THAT AFFECT FIT OR FUNCTION.
- F-2. SCRATCHES OR DENTS NOT TO EXCEED 0.013mm IN DEPTH.
- G. FOLLOWING PRODUCTION CODES TO BE PERMANENTLY MARKED & HUMAN READABLE TO A LETTER HEIGHT OF 1.5 ± 0.5MM X 0.3 MAX DEEP
  - 1. MATERIAL #: XXXXX-XXXX
  - 2. DATE CODE: JJYY (JULIAN DAY, LAST DIGIT OF YEAR)
  - 3. INSPECTION MACHINE CODE + SERIAL #: X\_XXXXX

3. DESIGN - MANUFACTURING:

- A. DRAFT TO BE WITHIN TOLERANCE.
- B. ALLOWABLE FLASH MAX 0.2 HIGH X MAX 0.13 THICK.
- C. ALLOWABLE PARTING LINE MISMATCH 0.2 MAX.
- D. EJECTOR PINS MARK TO BE FLUSH TO 0.25 MAX DEPRESSED.
- E. ALLOWABLE GATE VESTIGE FLUSH TO 0.25 MAX PROTRUSION.
- F. NO EXTERNAL MOLD RELEASE AGENT ALLOWED DURING MANUFACTURING.
- G. STEEL THAT FORMS THE INDICATED SURFACE MUST BE POLISHED WITH A DIAMOND FINISH (SPI A-2) OVER THE FULL PERIPHERY OF THE TOOL. SURFACE MUST HAVE NO MISMATCH.
- H. ANY PROCESS LUBRICANT REMAINING ON THE TERMINAL MUST NOT VARNISH OR DEGRADE IT'S ELECTRICAL PERFORMANCE UP TO A MAXIMUM CLASS AMBIENT TEMPERATURE PER SAE USCAR-2 FOR 1008 HOURS. PROCESS LUBRICANTS SHOULD BE APPROVED BY THE RESPONSIBLE ENGINEER.
- J. OPTIONAL FEATURES PROVIDED FOR AUTOMATION.
- K. PART MUST BE FREE FROM BURRS AND SHARP EDGES, WHICH MIGHT BE DETRIMENTAL TO SATISFACTORY ASSEMBLY, SAFE HANDLING OR FUNCTION OF PART.
- L. PARTS AS DELIVERED TO ASSEMBLY SHALL BE CLEAN AND FREE OF DEBRIS, RESIDUAL ABRASIVE MATERIAL AND CORROSION PRODUCTS ADVERESLY AFFECTING FUNCTION OR APPEARANCE.
- M. RESTRICTED AND REPORTABLE SUBSTANCES FOR PARTS PER GMW3059.

002C

	PAGE TITLE	DRAWING NUMBER	DWG STATUS			PAGE NUMBER	
	NOTES		12642695	ST	REV	PDI	6 OF 21
				R	002		

NOTES: UNLESS OTHERWISE SPECIFIED

4. SYSTEM REQUIREMENTS:

- A. HARNESS CONNECTOR IS COMPATIBLE WITH THE FOLLOWING SAE WIRE SIZE NO'S:
  - 14, MEETING SAE J1128
  - 18, MEETING SAE J1128, MAX O.D. OF 2.06 MM
  - 20, MEETING SAE J1128
  - 22, MEETING SAE J1128, MIN O.D. OF 1.47 MM
- B. CABLE TIE SPECIFICATIONS:
  - 1. CABLE TIE:
    - TENSILE RATING: 220N / (50lbs) MIN
    - TIE LENGTH: 186mm MIN
    - TIE WIDTH: 4.75mm MAX
    - MATERIAL: NYLON
  - 2. INSTALLATION:
    - CABLE TIE TENSION: 190N MIN
  - 3. DRESSED WIRE BUNDLE PACKAGING: SEE FIG. 1
- C. WHEN MATED WITH COMPONENT CONNECTOR INTERFACE AND/OR DRESS COVER, HARNESS CONNECTOR SYSTEM CONFORMS TO THE FOLLOWING:
  - 1. SAE/USCAR-2, REV: 3 APRIL, 2001; CLASS 3
  - 2. FIELD CORRELATED LIFE TEST, SAE/USCAR-20, NOV. 2001
  - 3. GMW #3191 AUGUST 22, 2000 (DRAFT); TEMPERATURE CLASS 3, SEALING CLASS 1, VIBRATION CLASS 2
  - 4. RESTRICTED AND REPORTABLE CHEMICALS PER GMW #3059, REV: D AUGUST 2002
  - 5. TPA USER FORCES (FULLY POPULATED WITH TERMINALS)
    - a. REMOVAL FROM LOCK TO PRE-SET: <=120N
- D. WIRE SPECIFICATIONS:
  - 1. WIRE SURFACE MUST BE FREE OF SCRATCHES, GROOVES OR DENTS WHERE FUNCTIONAL

5. TERMINAL CURRENT RATINGS:

ALL TESTING DONE IN ACCORDANCE WITH USCAR-2 REV5 SECTION 5.3

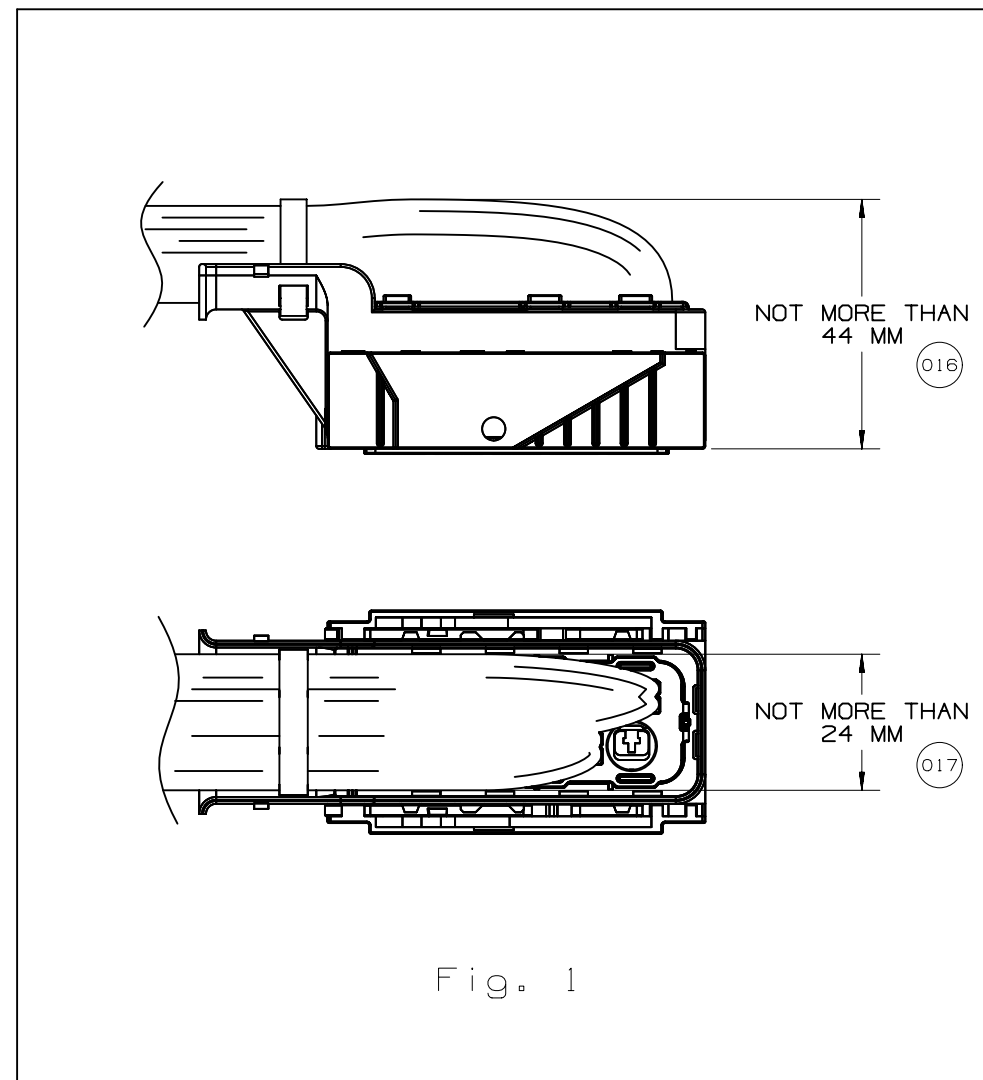
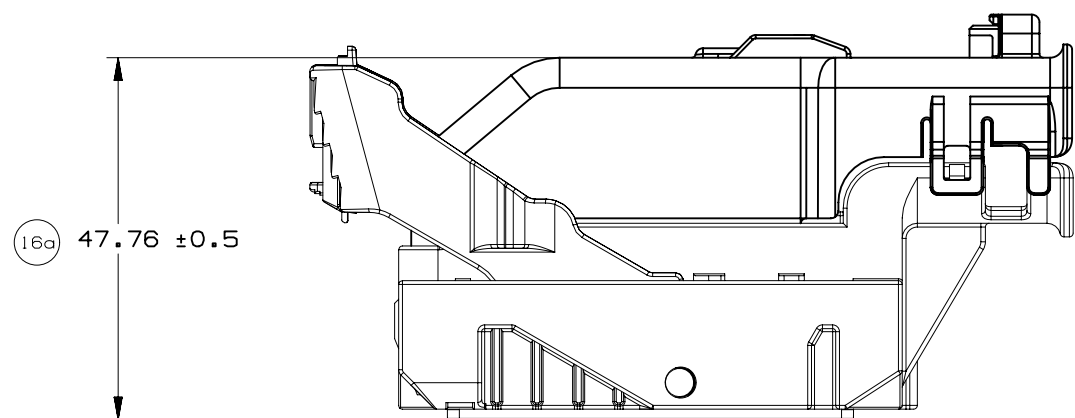
- A. MX64 RCPT TERM
  - 1. MX64 RCPT TERM Ag 18/20 GAGE CRIMPED TO SAE WIRE SIZE NO.18 AND MATED TO MX123 0.64MM PIN: 11.3 AMPS
  - 2. MX64 RCPT TERM Ag 22 GAGE CRIMPED TO SAE WIRE SIZE NO.22 AND MATED TO MX123 0.64MM PIN:8.5 AMPS

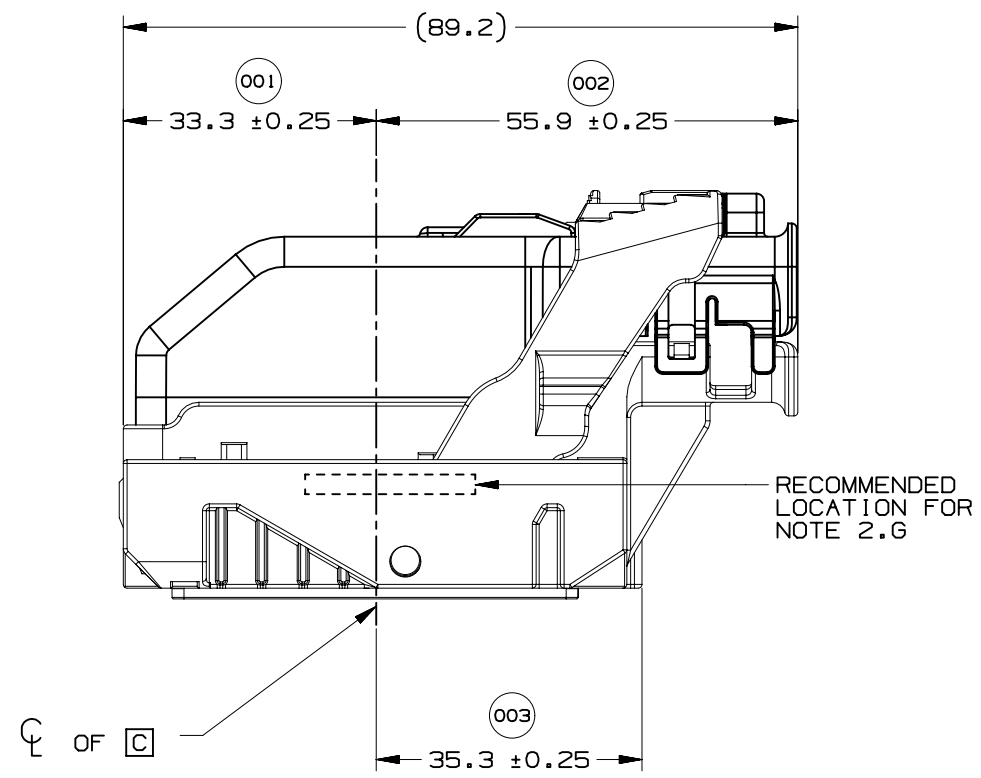
WIRE	CURRENT RATING			
	23°C	85°C	105°C	125°C
18AWG	11.3A	11.3A	9.5A	6.6A
20AWG	10.0A	10.0A	8.3A	5.7A
22AWG	8.6A	8.6A	7.1A	5.0A

- B. 2.8MM RCPT TERM
  - 1. 2.8MM RCPT TERM TIN 14 GAGE CRIMPED TO SAE WIRE SIZE NO.14 AND MATED TO MX123 2.8MM BLADE: 25.6 AMPS

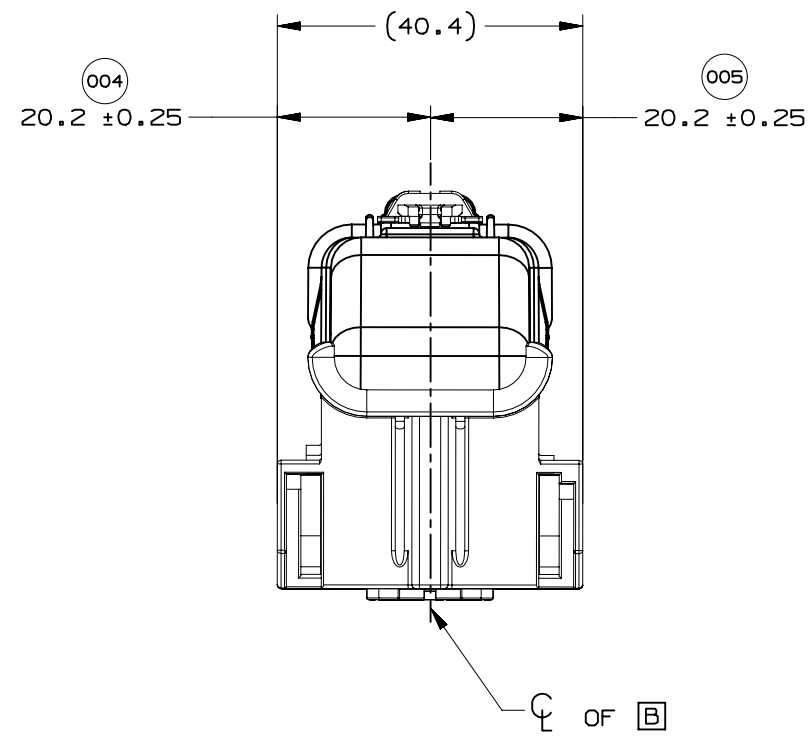
6. CONTACT MOLEX AUTOMOTIVE FOR AVAILABLE CUSTOM PATTERNS OF CAVITIES OPEN FOR CIRCUITS



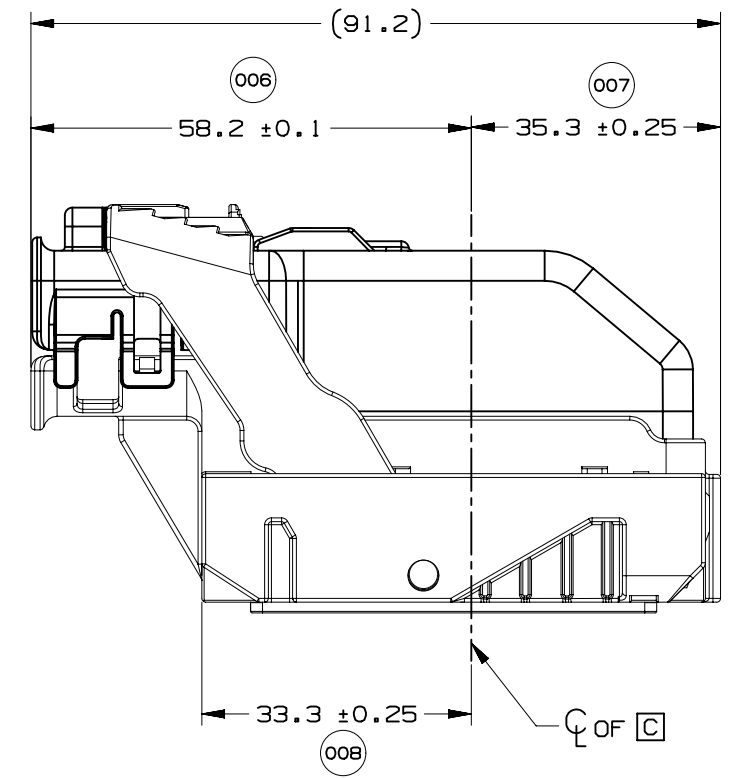




WIRE DRESS OPTION 0 SHOWN

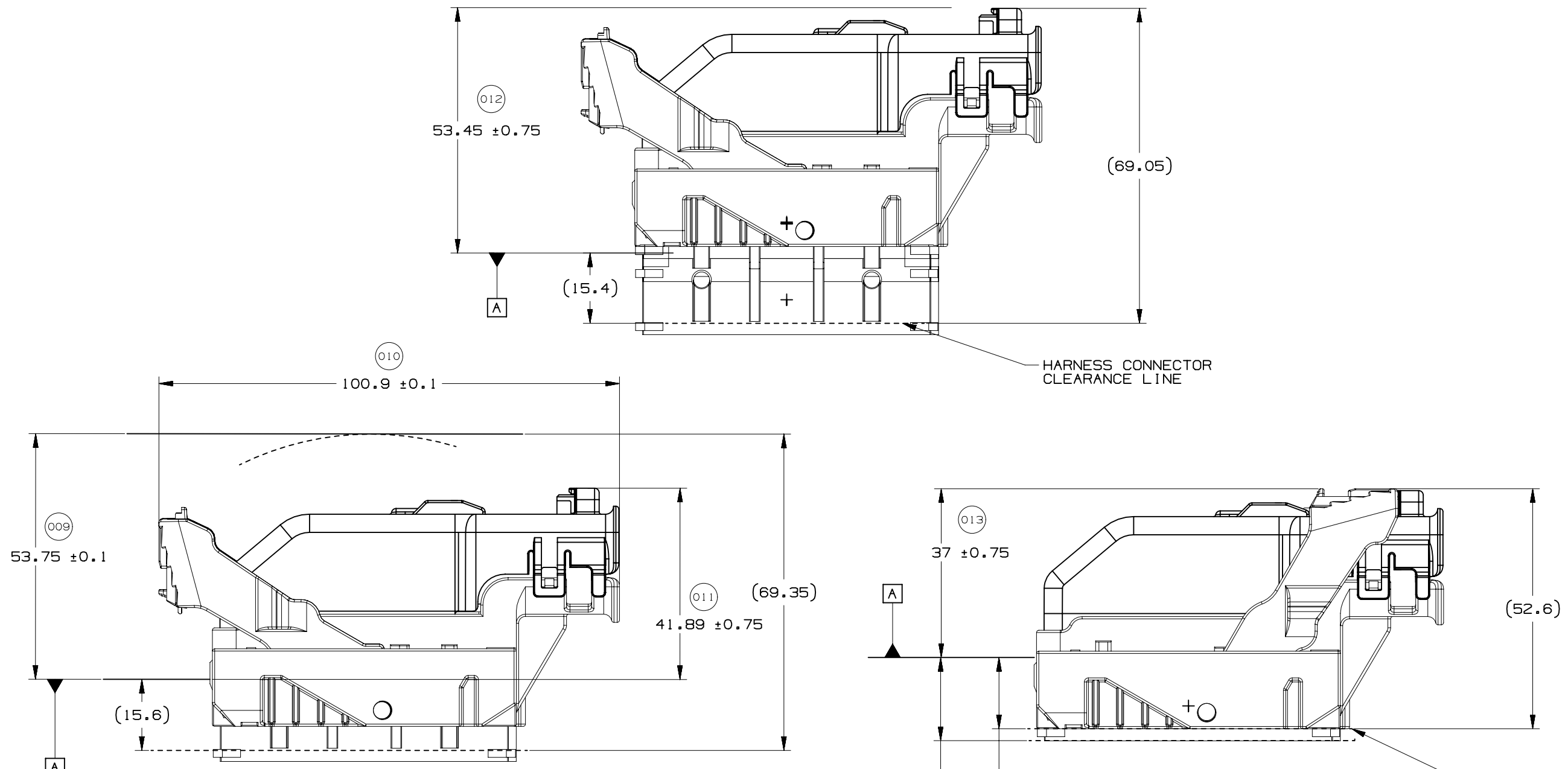


WIRE DRESS OPTION 0 SHOWN



WIRE DRESS OPTION 9 SHOWN





HARNESS CONNECTOR CLEARANCE LINE

HARNESS CONNECTOR ASSEMBLY IN FULLY-MATED POSITION

HARNESS CONNECTOR CLEARANCE LINE

15.6 MIN. ALL AROUND CLEARANCE REQUIRED FOR HARNESS CONNECTOR (014)

17.9 MIN. AT PAD LOCATION CLEARANCE REQUIRED FOR HARNESS CONNECTOR CONSTRUCTION BELOW THIS PLANE IS NOT CONTROLLED (015)

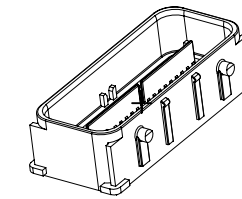
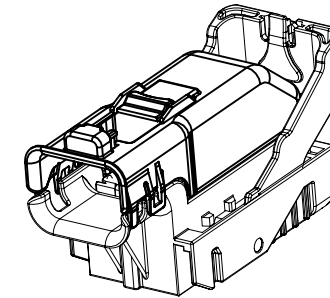
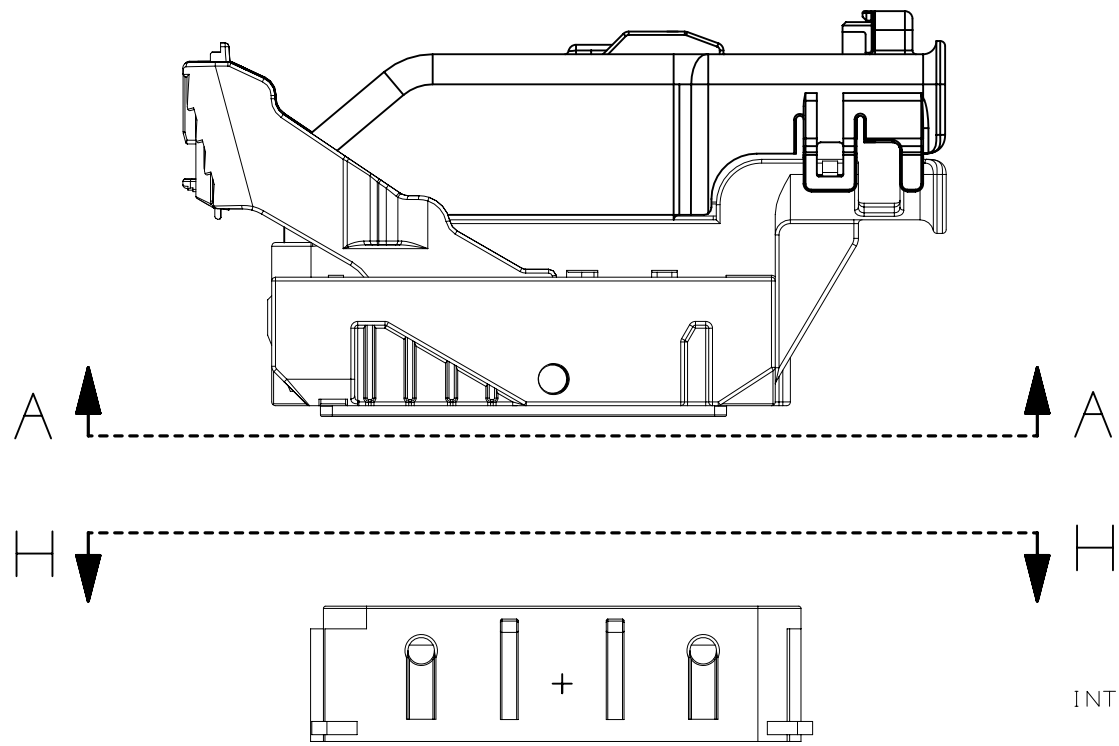


PAGE TITLE  
 LOCATION AND PACKAGING DIMENSIONS  
 REFERENCING INTERFACE DATUM A

DRAWING NUMBER  
 12642695

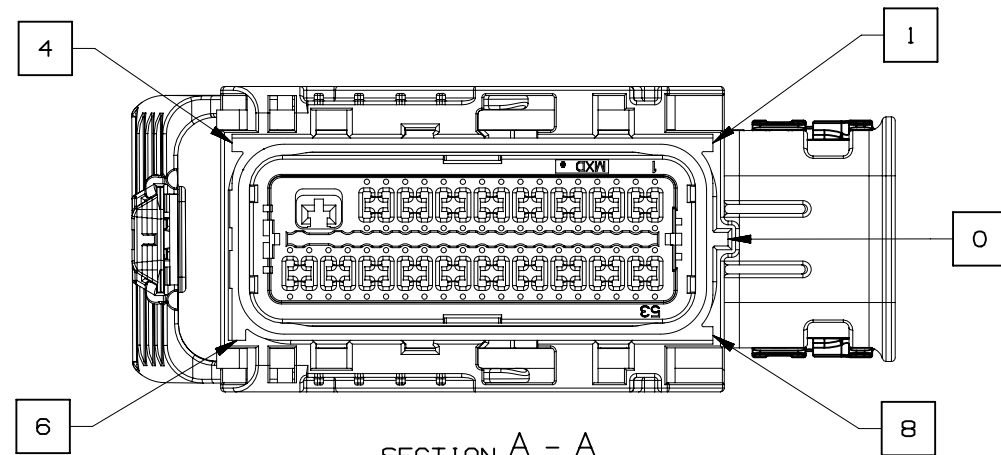
DWG STATUS		
ST	REV	PD1
R	002	

PAGE NUMBER  
 10 OF 21

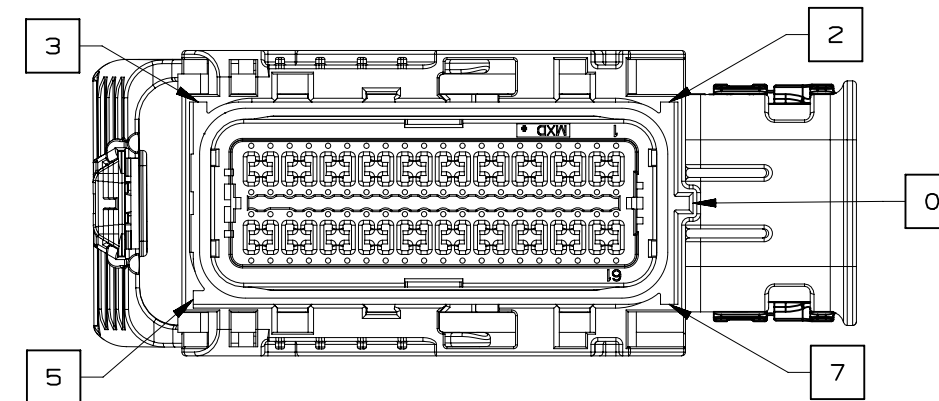


NOTE: REFERENCE THE COMPONENT TABLE FOR KEY OPTIONS AND CONFIGURATIONS

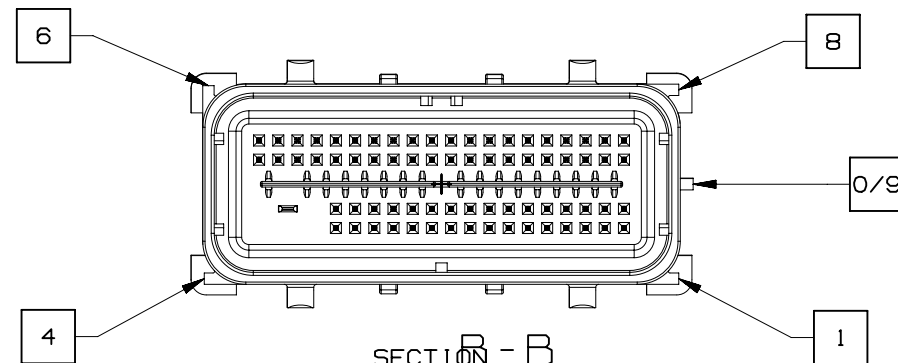
INTERFACE SIDE SHOWN ON ALL SECTION VIEWS



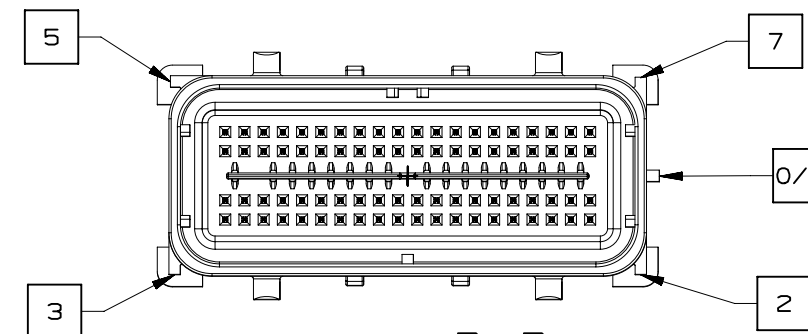
SECTION A - A  
KEY OPTION B SHOWN



SECTION A - A  
KEY OPTION K SHOWN



SECTION B - B  
KEY OPTION B SHOWN



SECTION B - B  
KEY OPTION K SHOWN

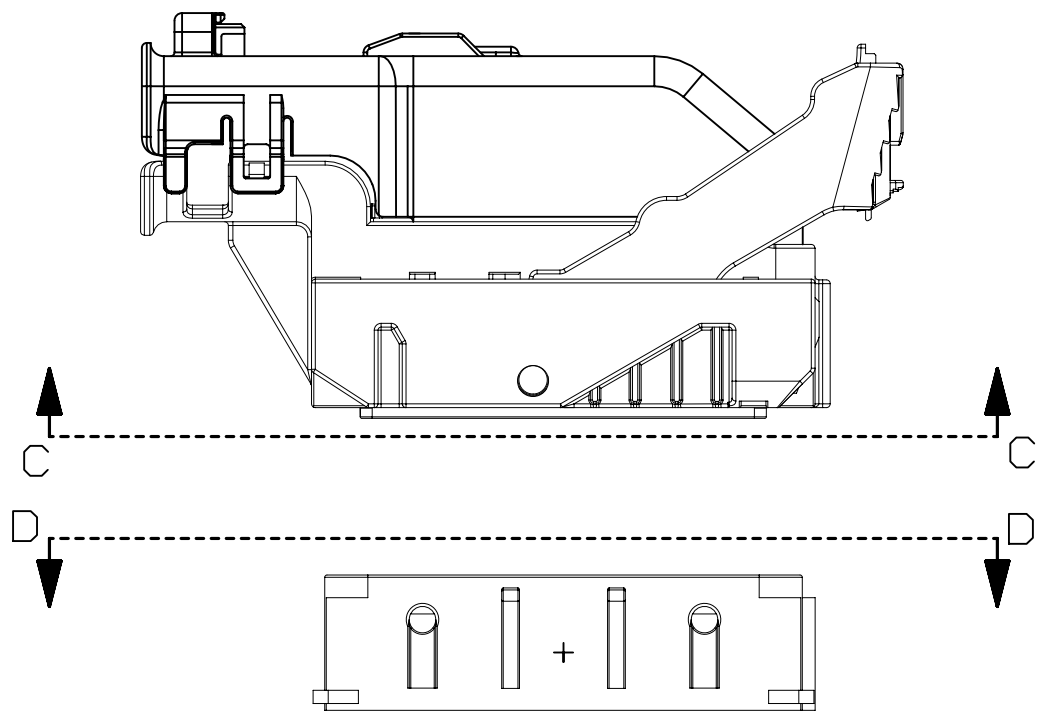


PAGE TITLE  
KEY ID REF - WIRE DRESS OPTION 0

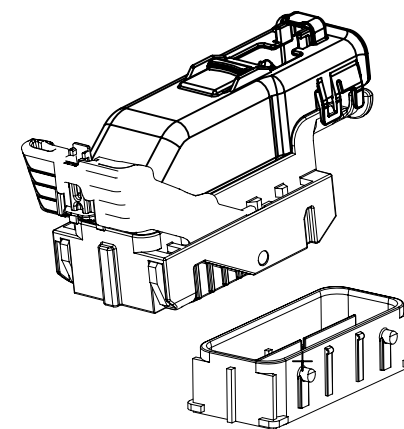
DRAWING NUMBER  
12642695

DWG STATUS		
ST	REV	PD1
R	002	

PAGE NUMBER  
11 OF 21

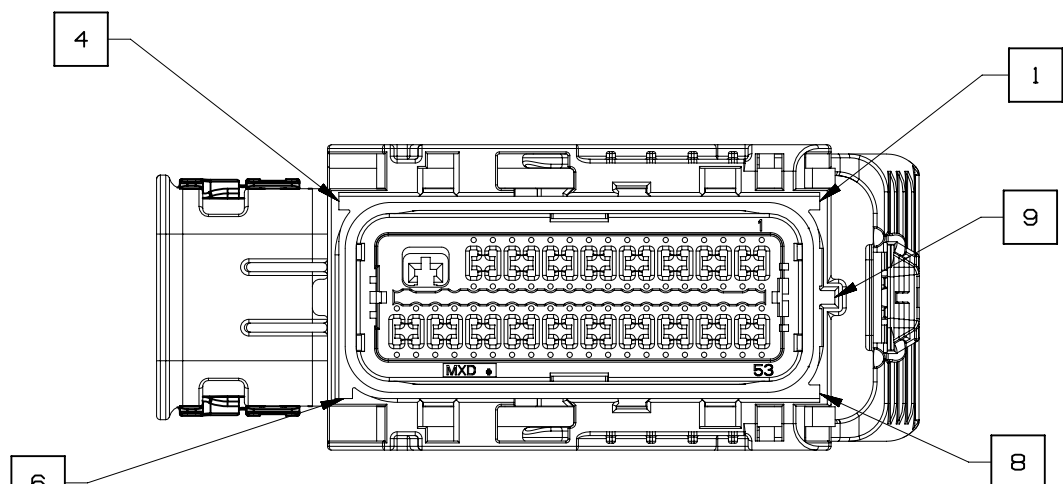


INTERFACE SIDE SHOWN ON ALL SECTION VIEWS

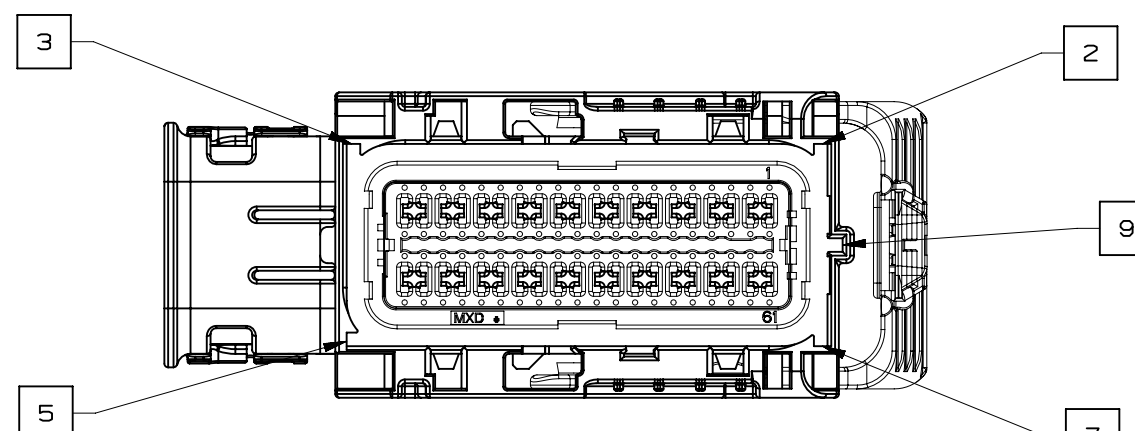


NOTE: REFERENCE THE COMPONENT TABLE FOR KEY OPTIONS AND CONFIGURATIONS

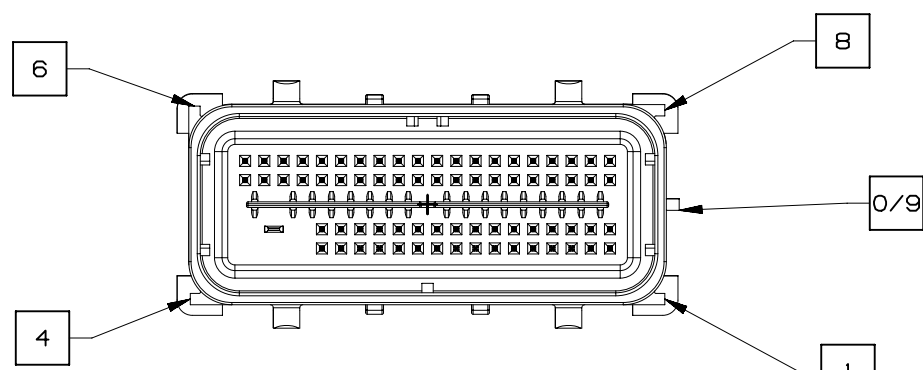
VIEW V



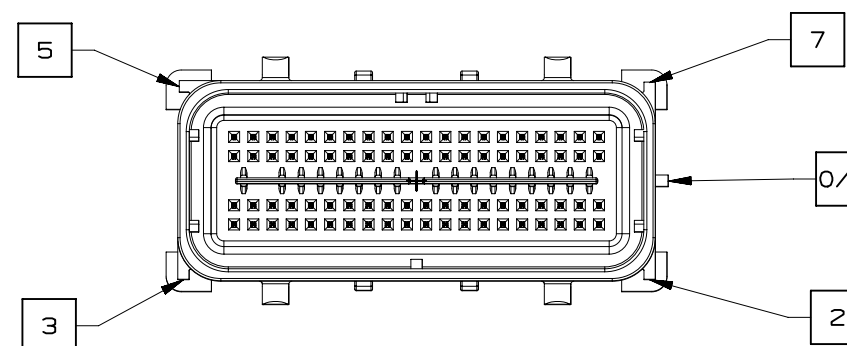
SECTION C-C  
KEY OPTION B SHOWN



SECTION C-C  
KEY OPTION K SHOWN



SECTION D-D  
KEY OPTION B SHOWN



SECTION D-D  
KEY OPTION K SHOWN

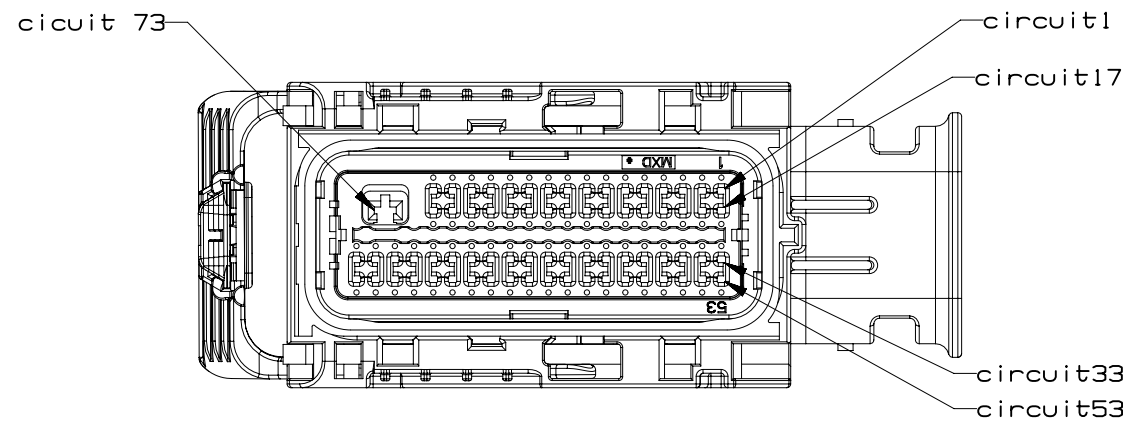


PAGE TITLE  
KEY ID REF - WIRE DRESS OPTION 9

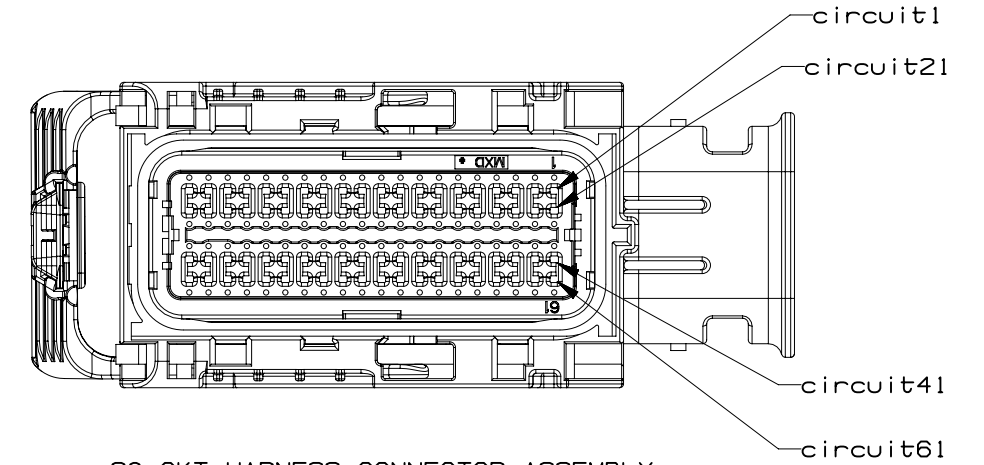
DRAWING NUMBER  
12642695

DWG STATUS		
ST	REV	PD1
R	002	

PAGE NUMBER  
12 OF 21

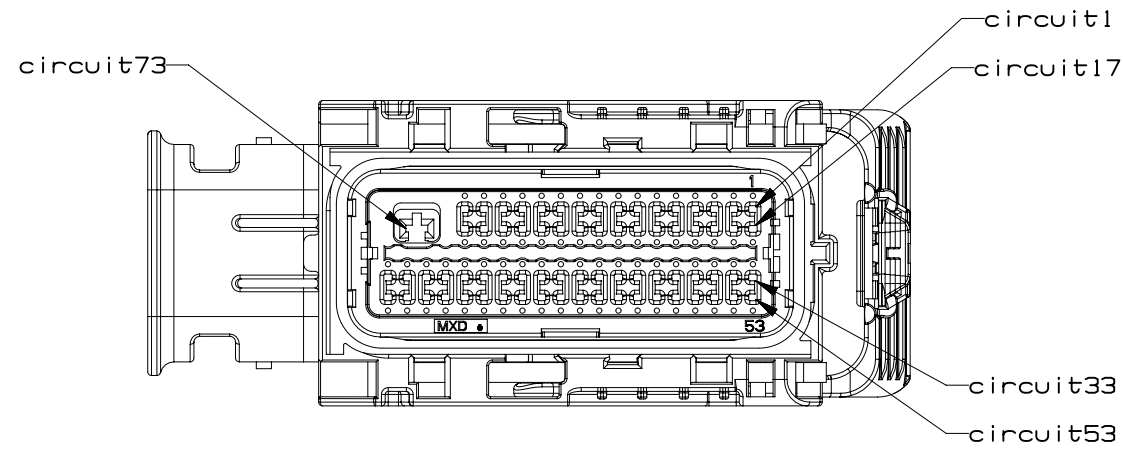


73 CKT HARNESS CONNECTOR ASSEMBLY  
WIRE DRESS OPTION 0

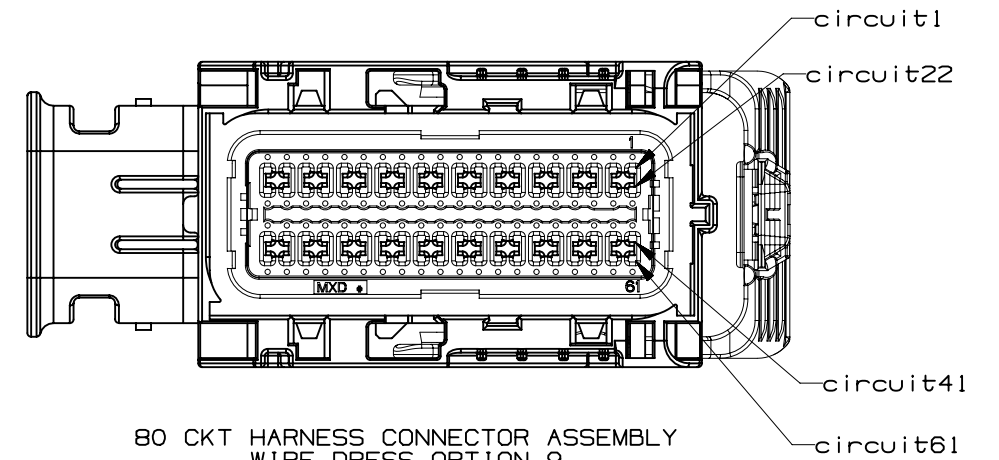


80 CKT HARNESS CONNECTOR ASSEMBLY  
WIRE DRESS OPTION 0

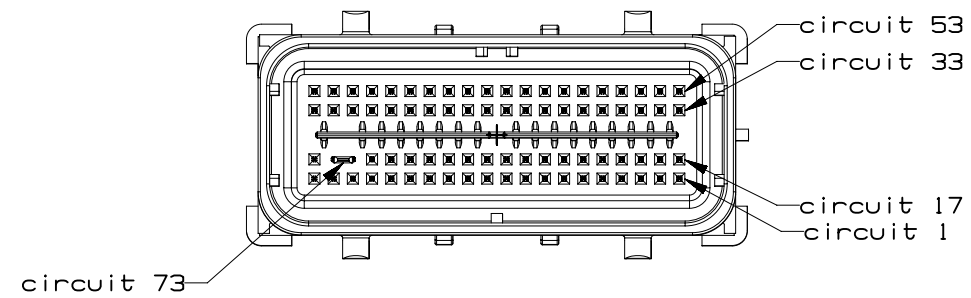
INTERFACE SIDE SHOWN ON ALL VIEWS



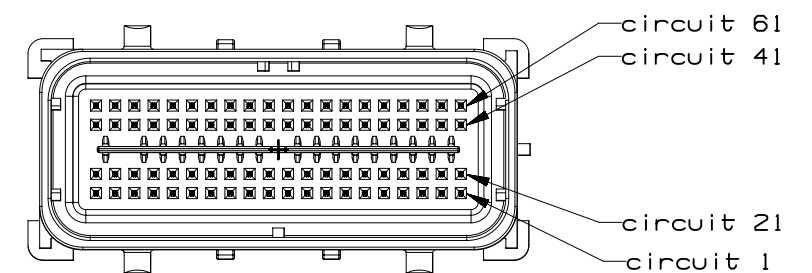
73 CKT HARNESS CONNECTOR ASSEMBLY  
WIRE DRESS OPTION 9



80 CKT HARNESS CONNECTOR ASSEMBLY  
WIRE DRESS OPTION 9

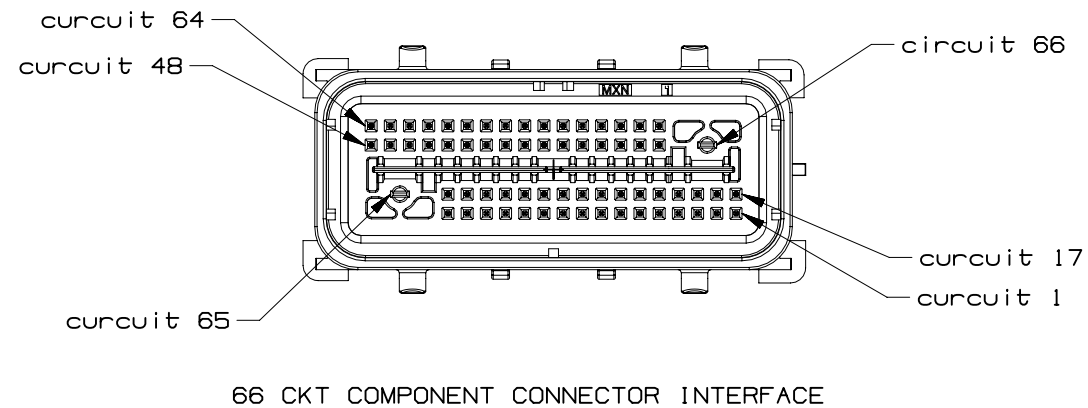
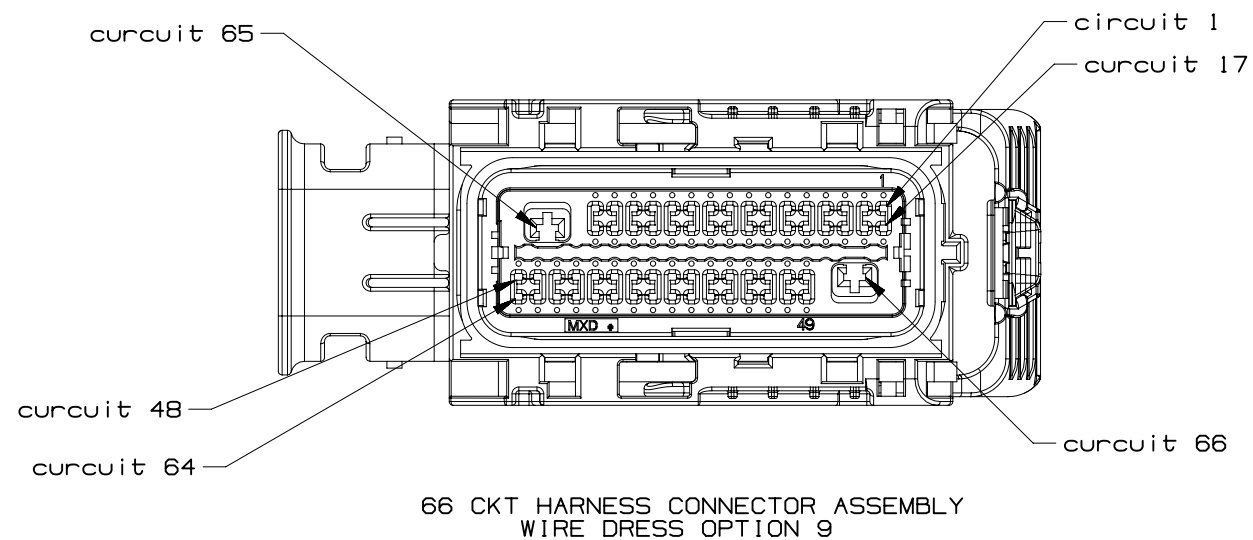
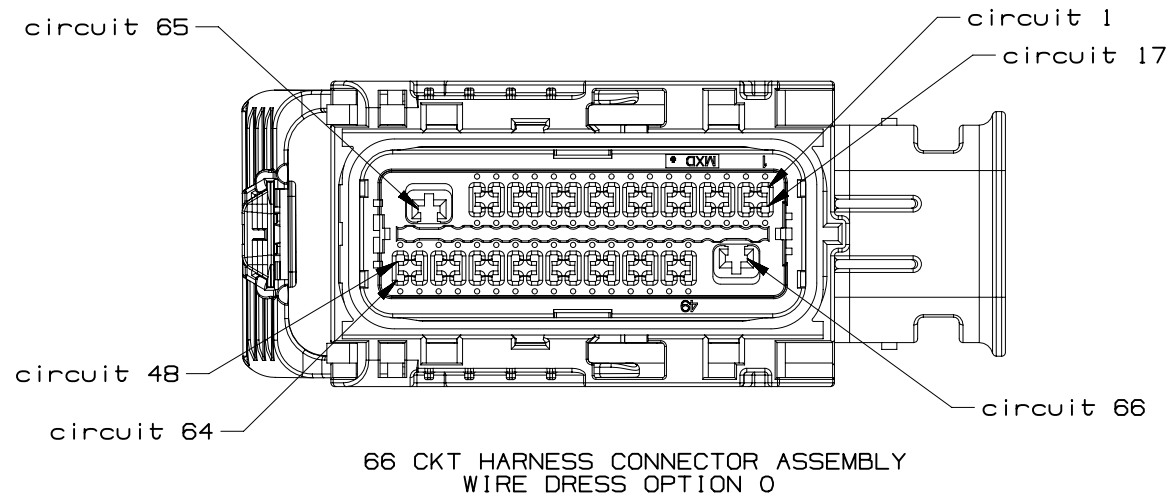



73 CKT COMPONENT CONNECTOR INTERFACE

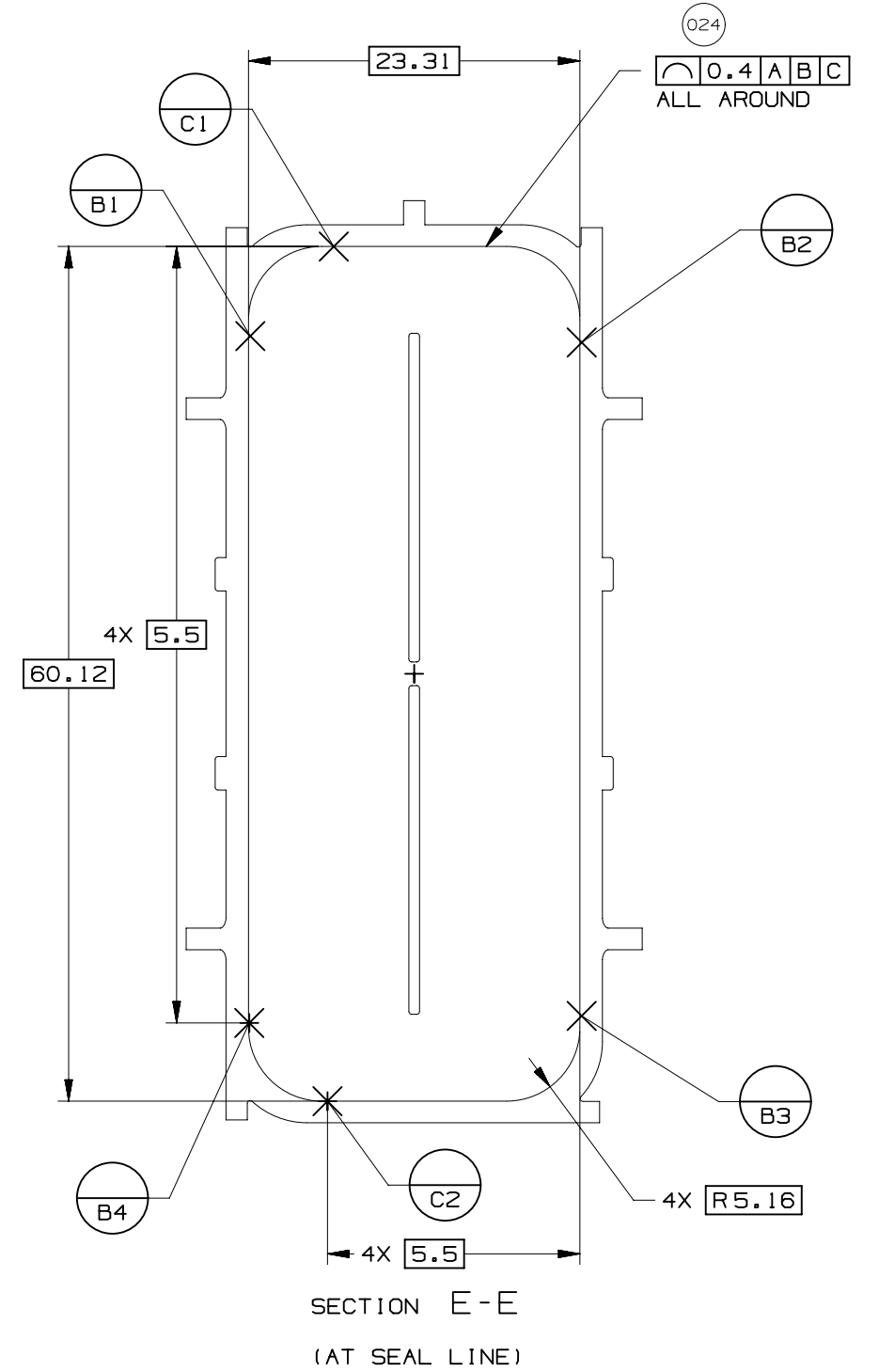
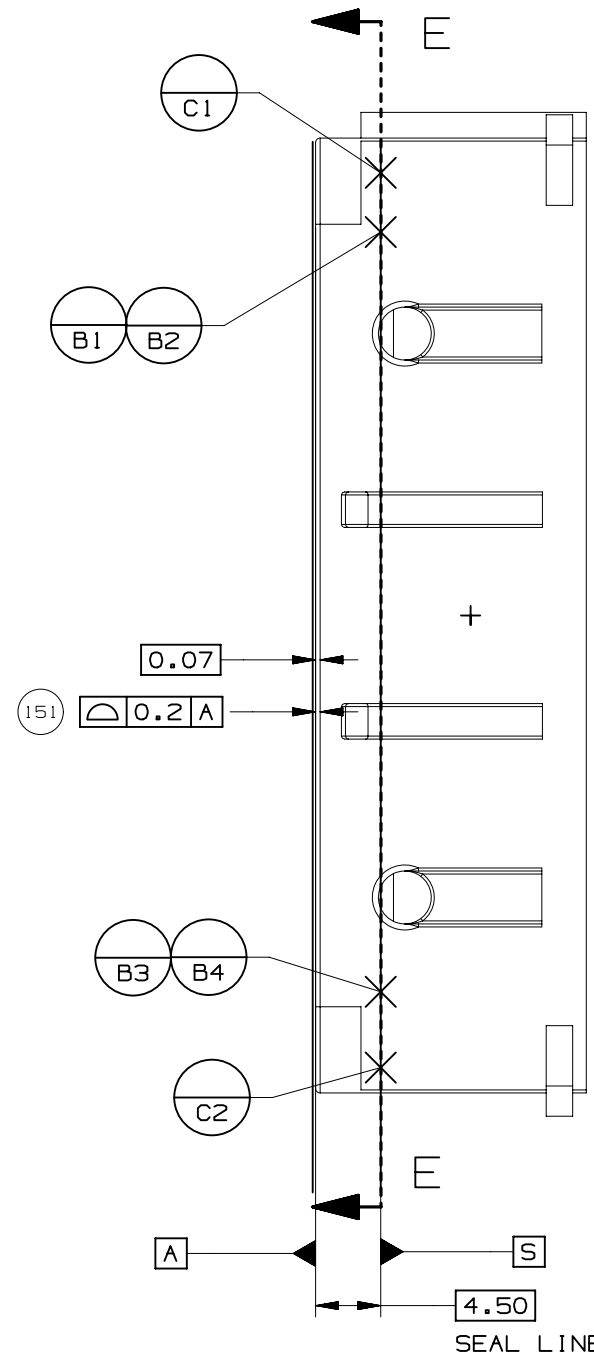
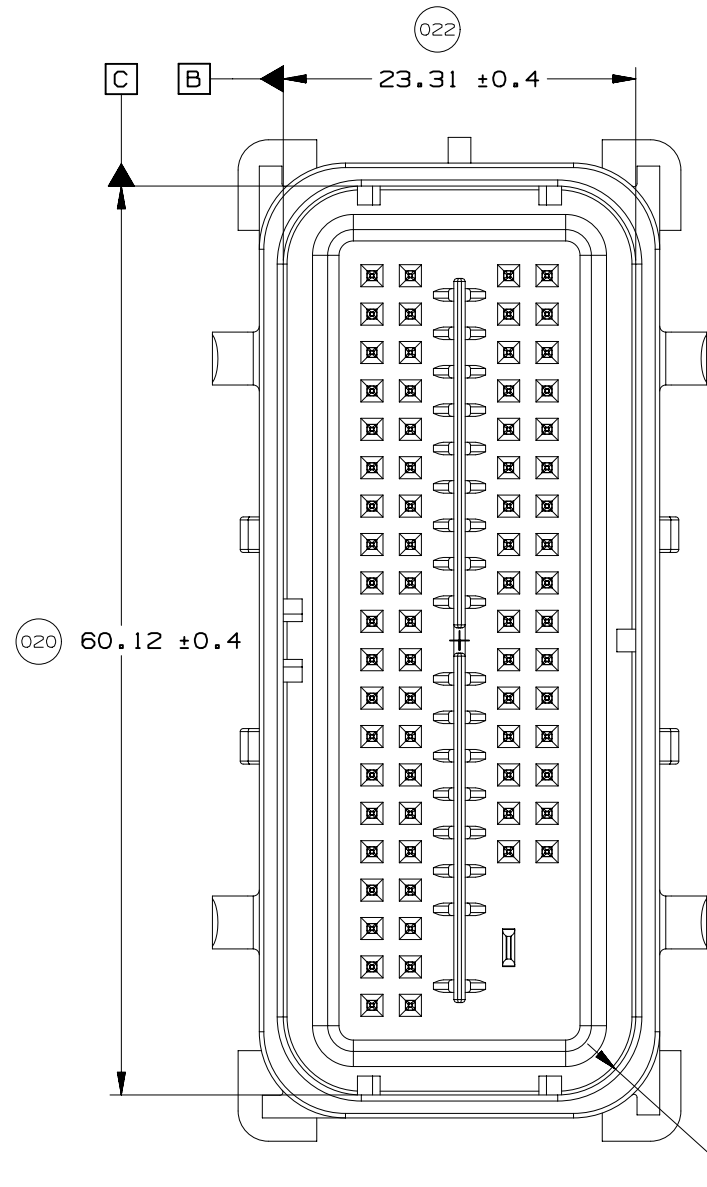
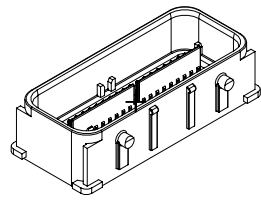


80 CKT COMPONENT CONNECTOR INTERFACE





	PAGE TITLE		DRAWING NUMBER			DWG STATUS			PAGE NUMBER		
	CIRCUIT CONFIGURATIONS					12642695			ST	REV	PDI
						R	002				



UNLESS SPECIFIED, TOLERANCE OF THE COMPONENT CONNECTOR INTERFACE TO BE  $\sqrt[0.13]{A B C}$

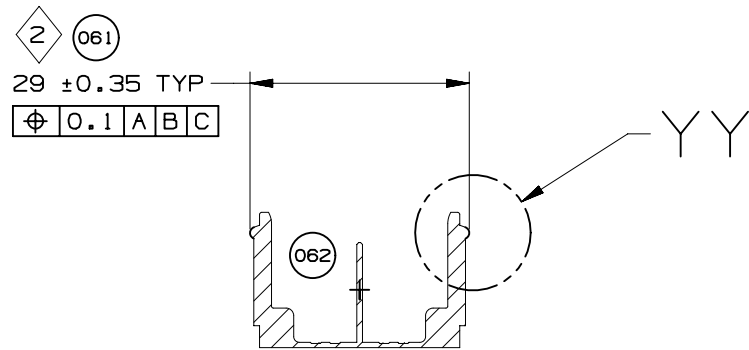
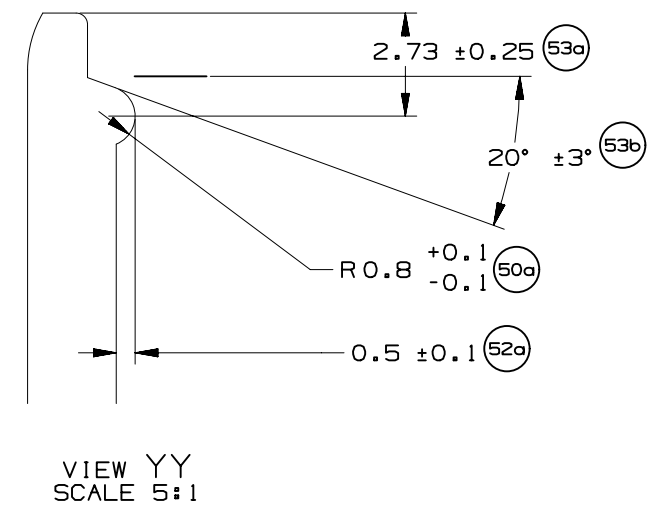
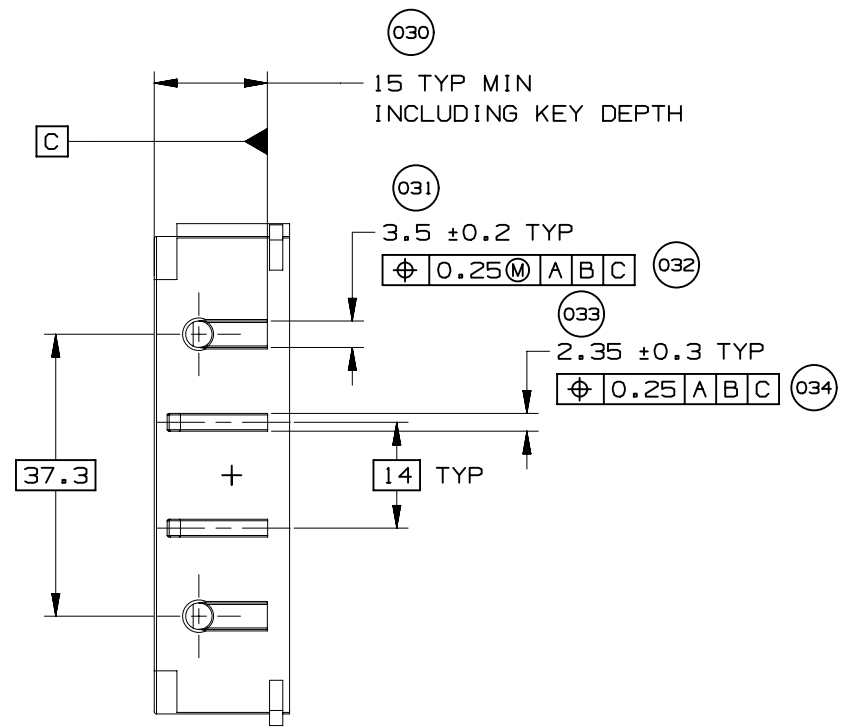
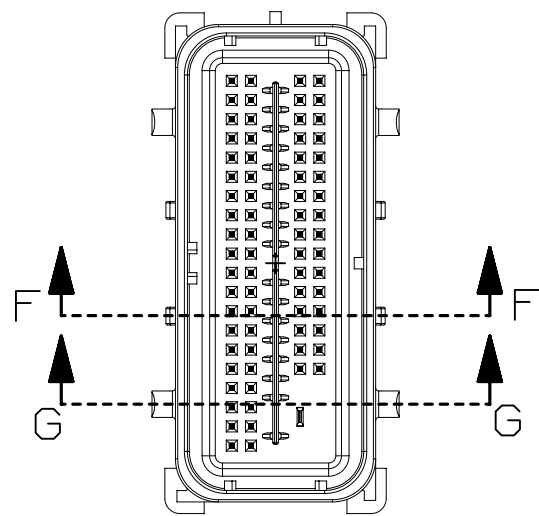


PAGE TITLE  
COMPONENT CONNECTOR INTERFACE

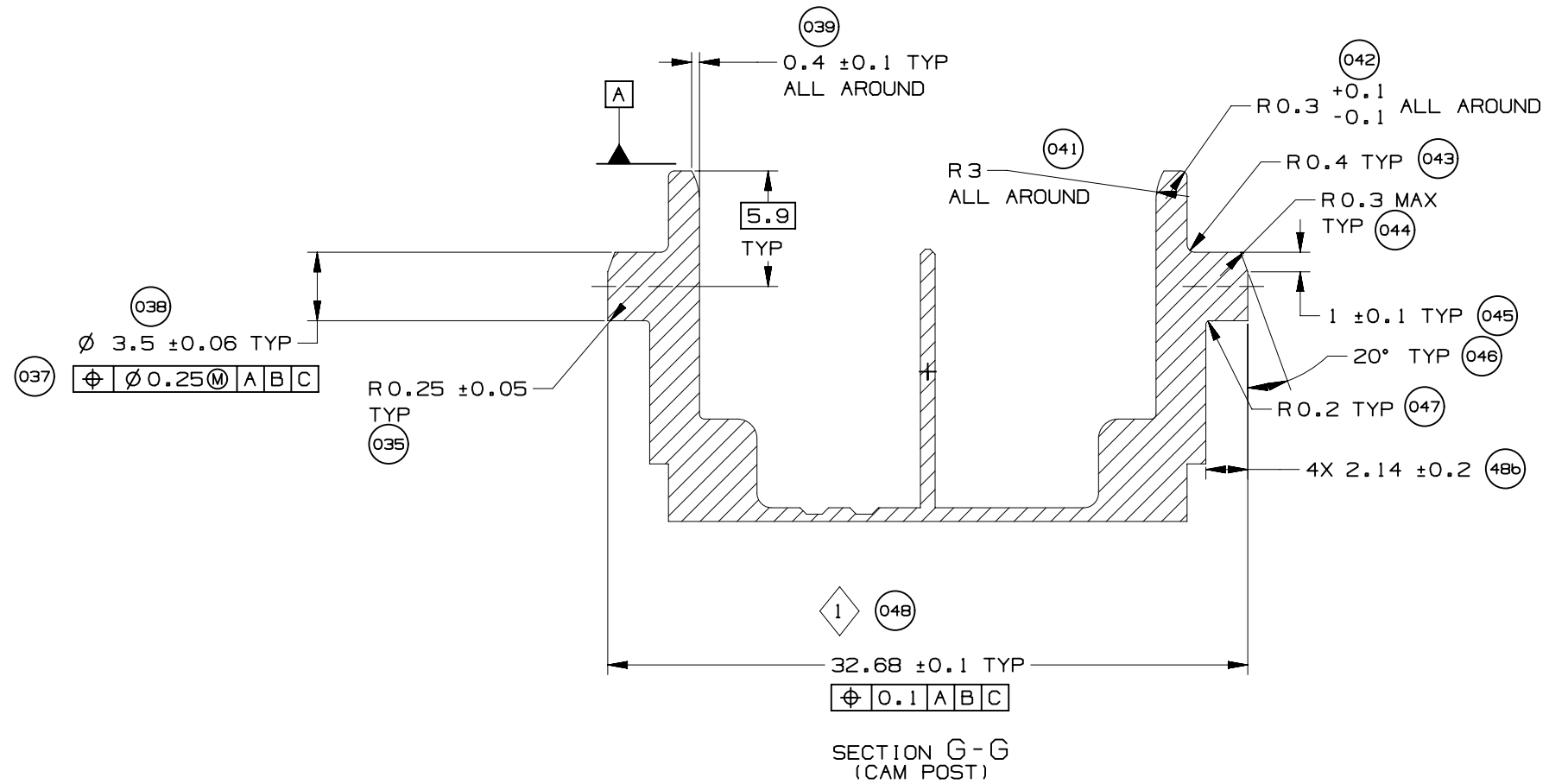
DRAWING NUMBER  
12642695

DWG STATUS			PAGE NUMBER
ST	REV	PD1	
R	002		15 OF 21

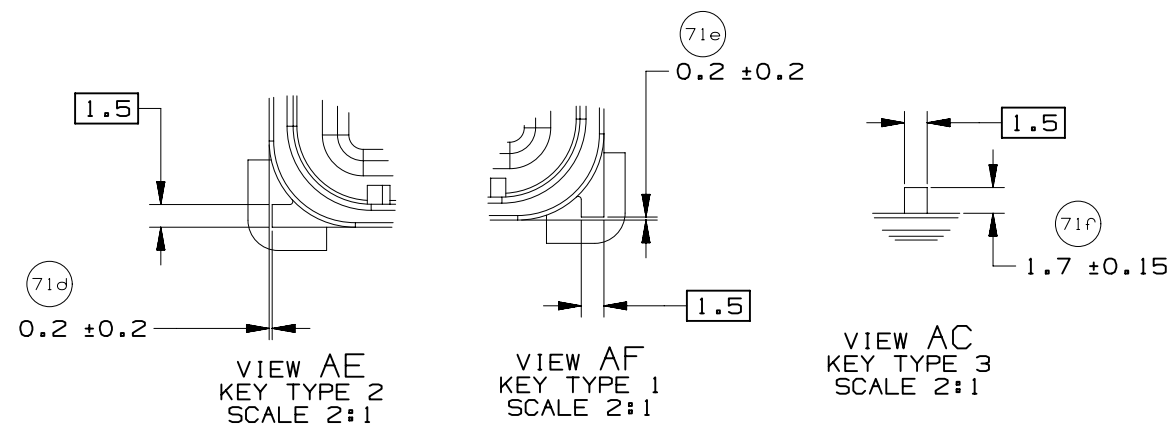
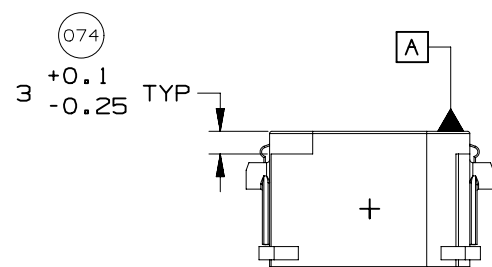
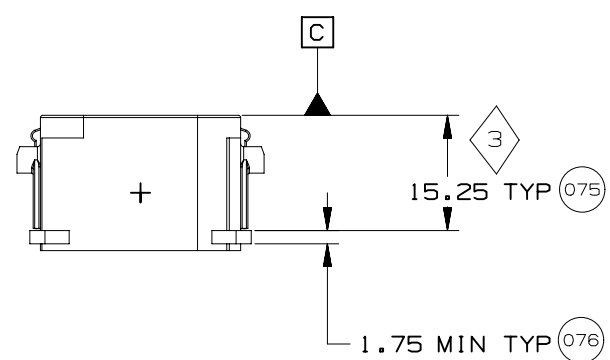
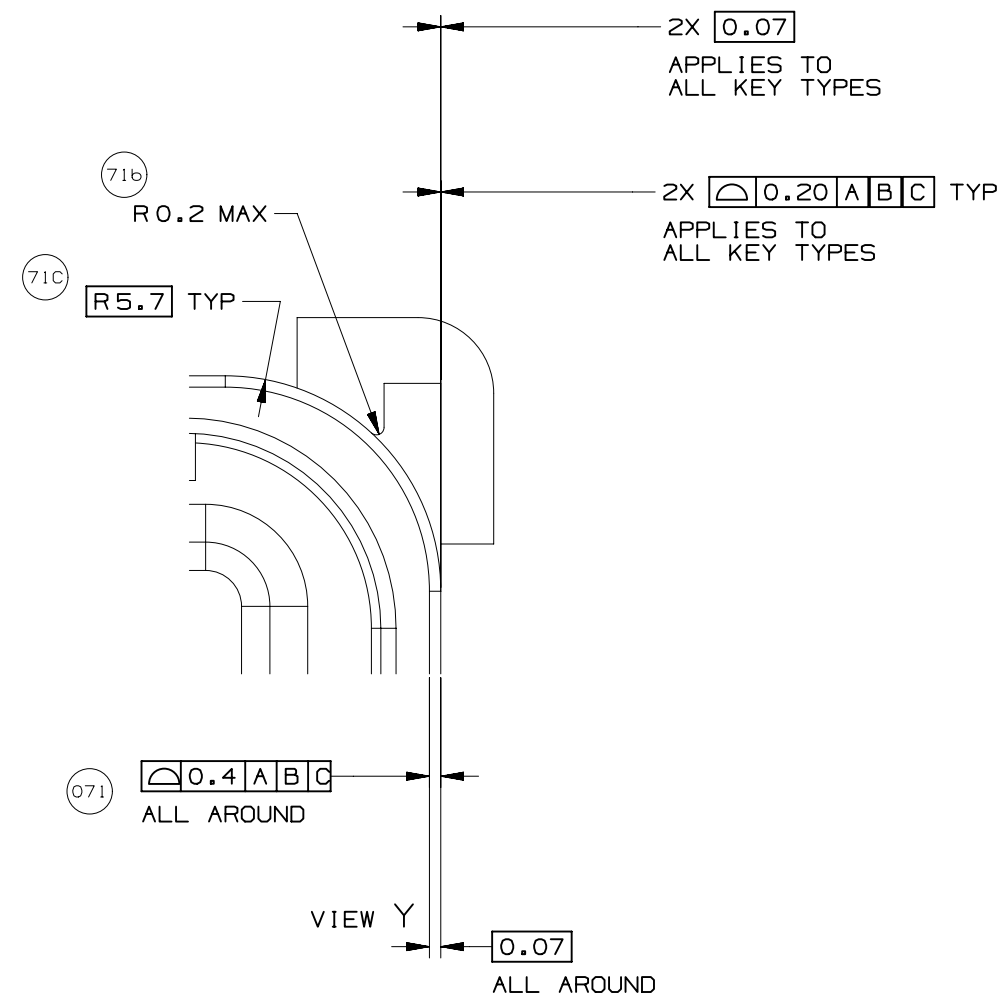
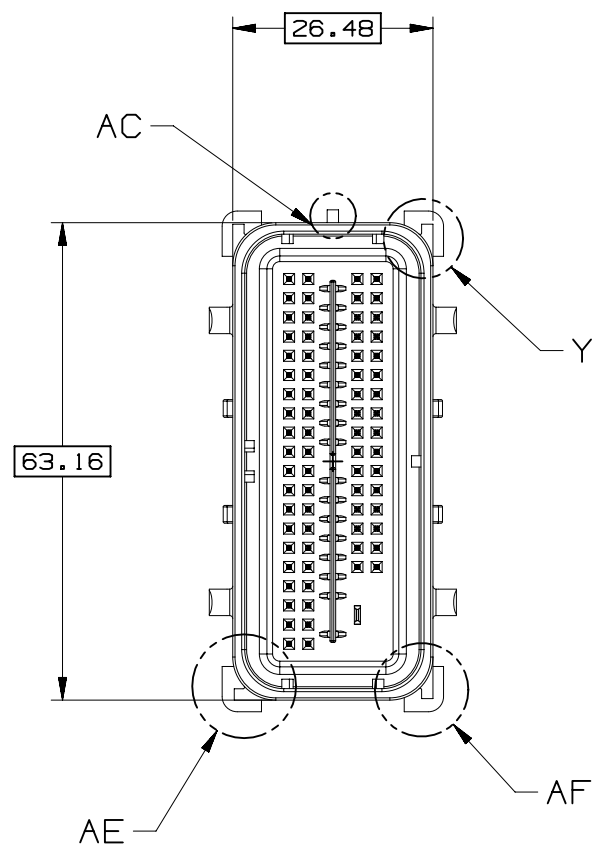
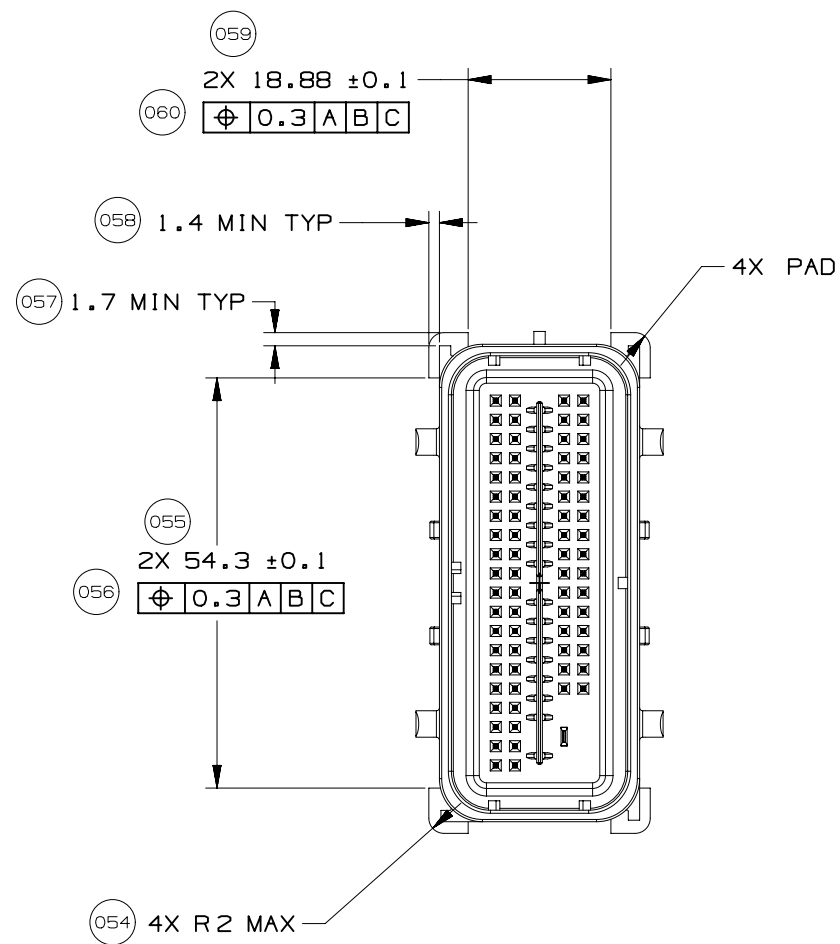




SECTION F-F



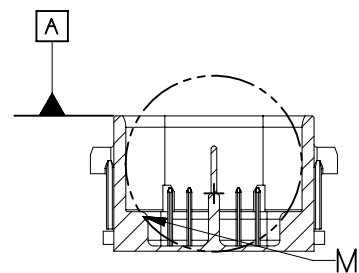
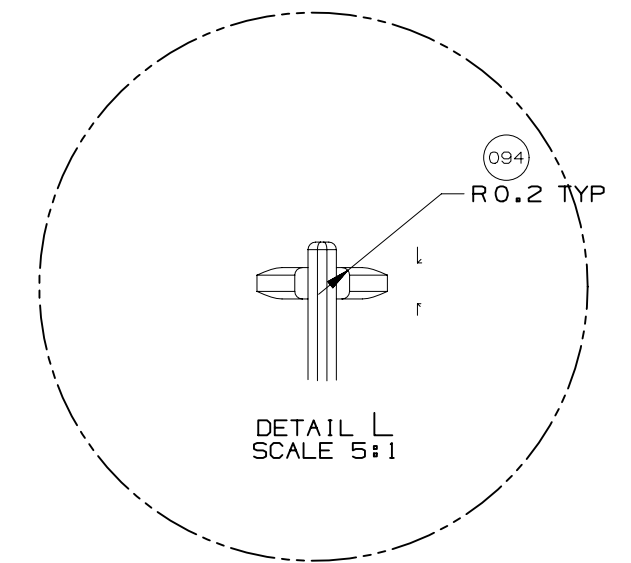
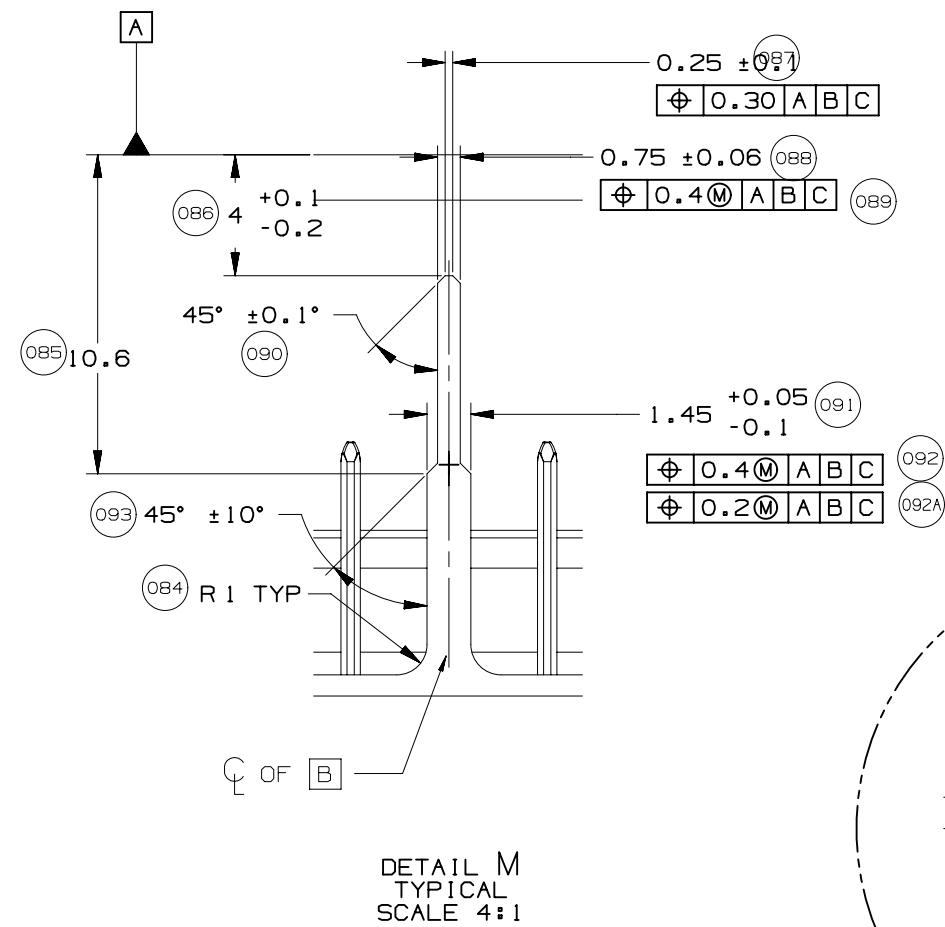
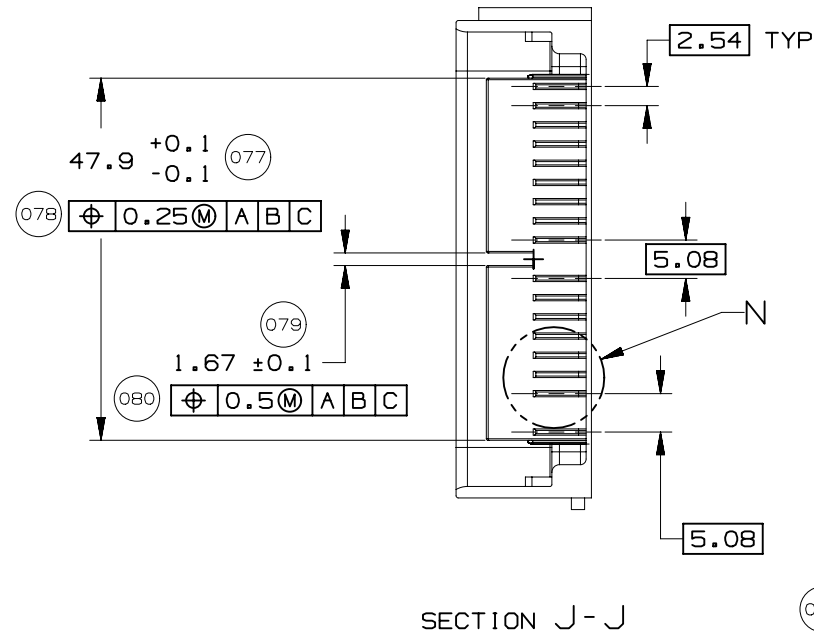
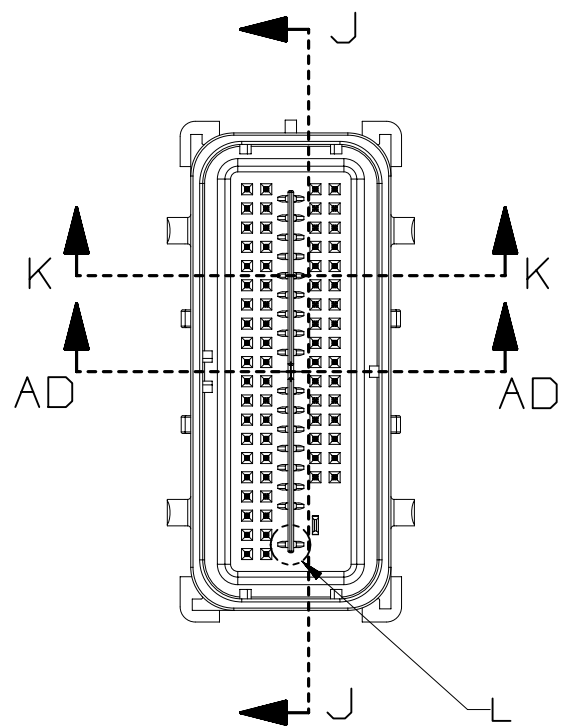
SECTION G-G (CAM POST)



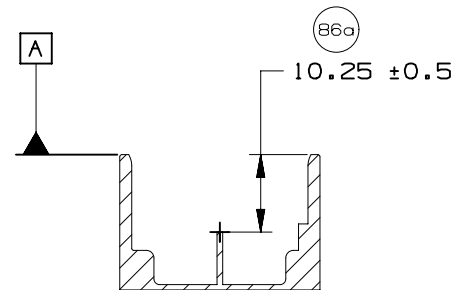
PAGE TITLE  
 COMPONENT CONNECTOR INTERFACE

DRAWING NUMBER  
 12642695

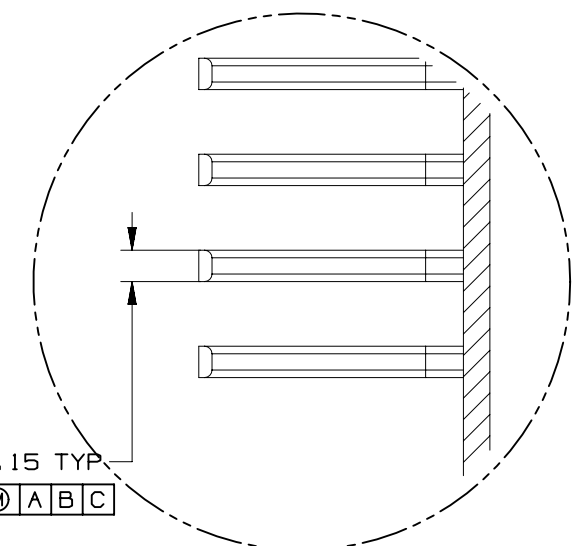
DWG STATUS			PAGE NUMBER
ST	REV	PD1	
R	002		17 OF 21



SECTION K-K



SECTION AD-AD



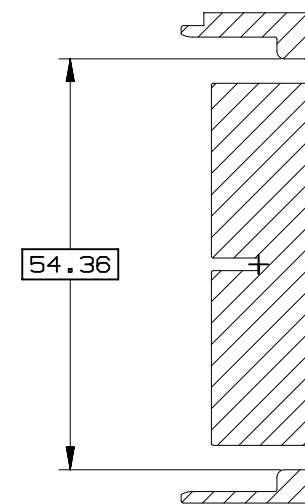
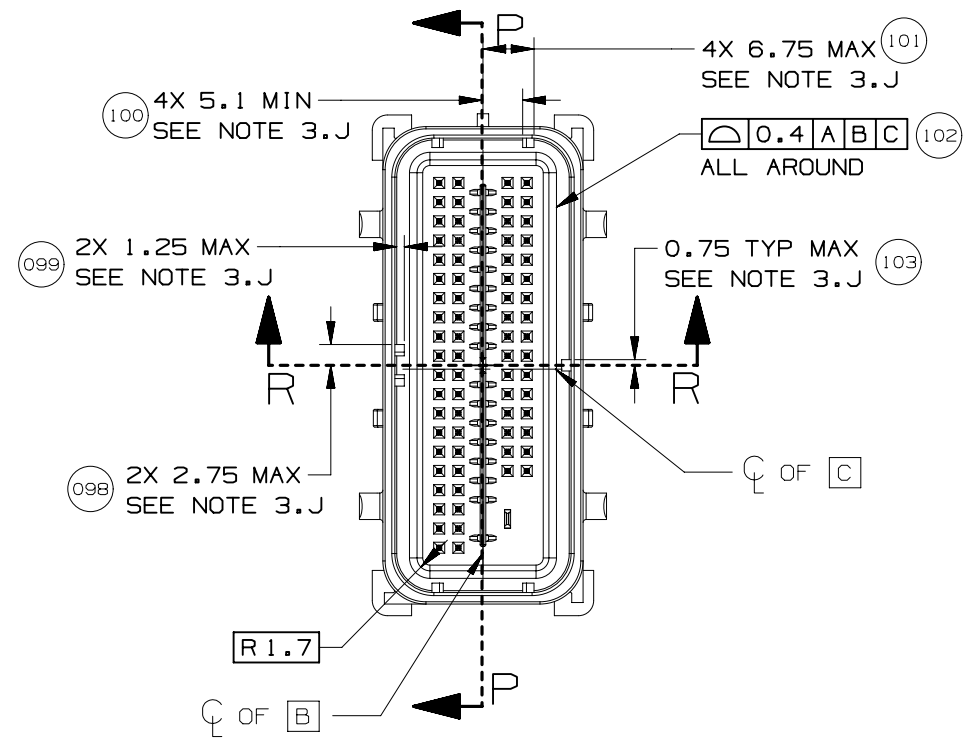
DETAIL N  
SCALE 5:1



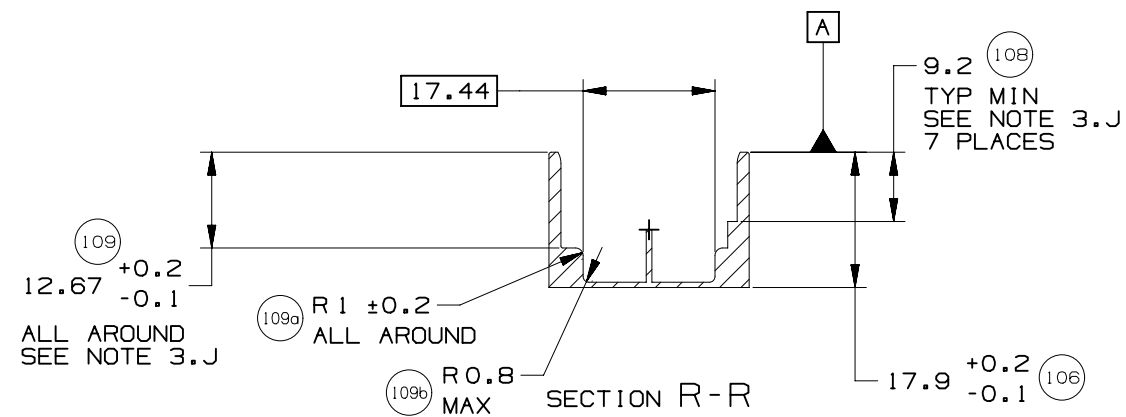
PAGE TITLE  
COMPONENT CONNECTOR INTERFACE

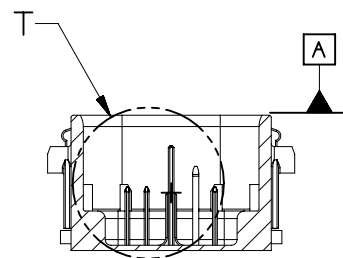
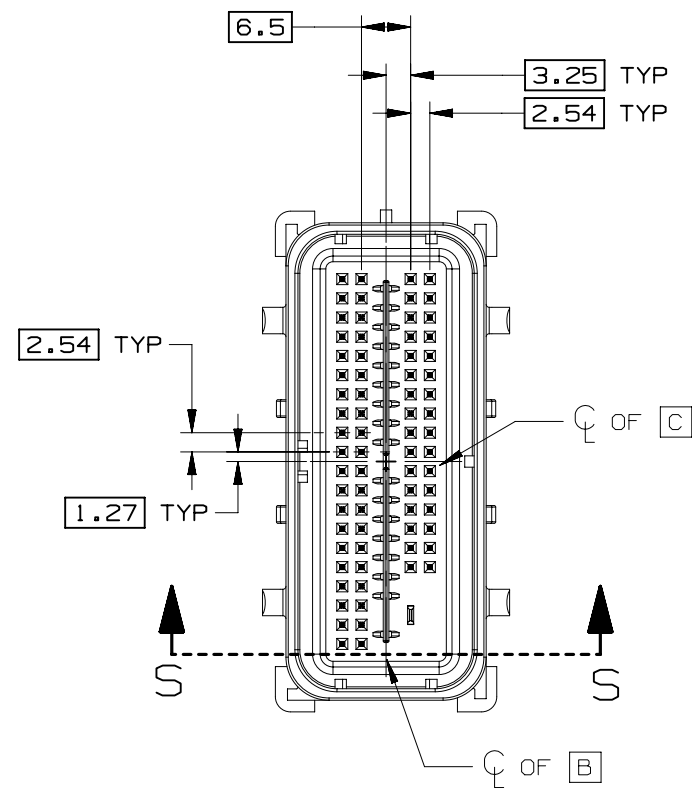
DRAWING NUMBER  
12642695

DWG STATUS			PAGE NUMBER
ST	REV	PD1	
R	002		18 OF 21

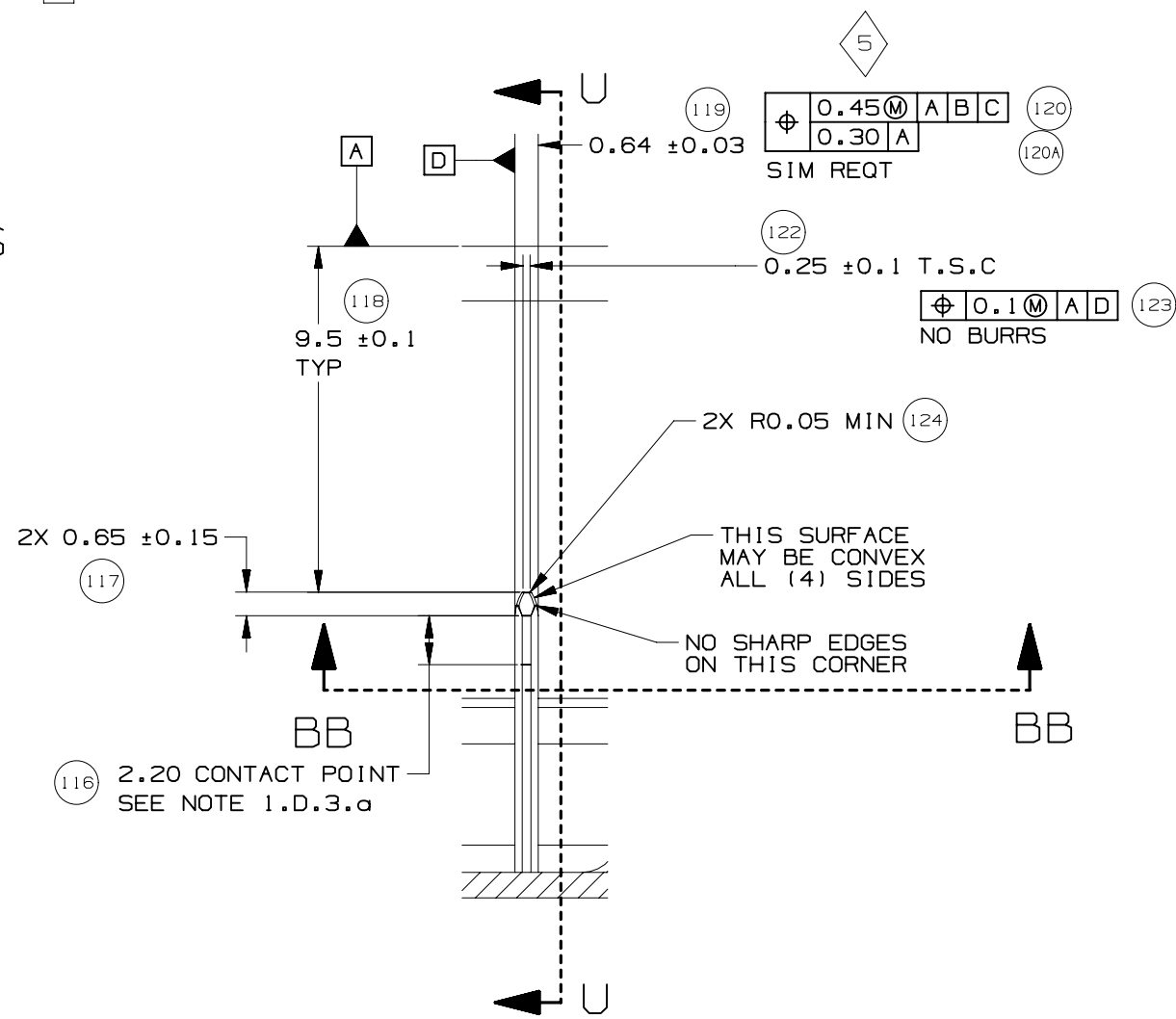


SECTION P-P

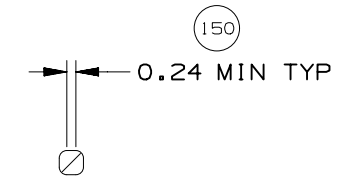




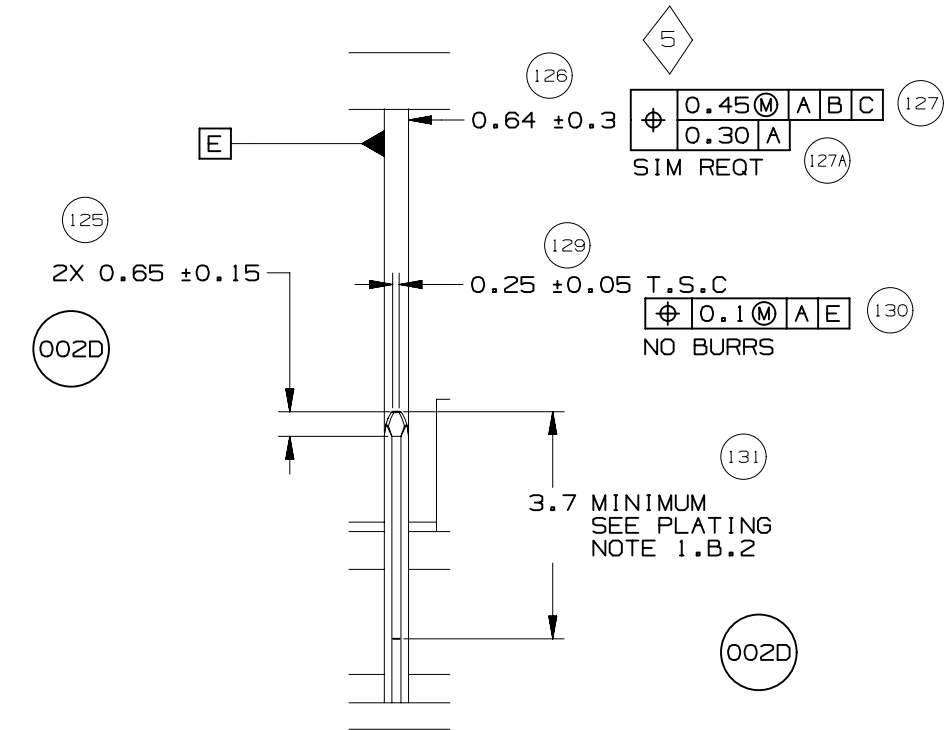
SECTION S-S



DETAIL T  
TYPICAL  
SCALE 5:1

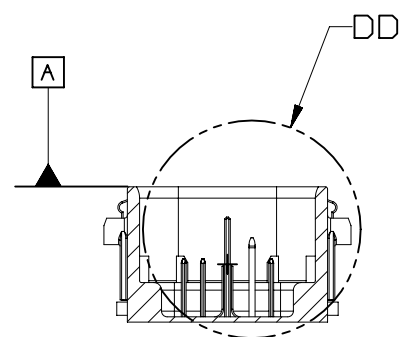
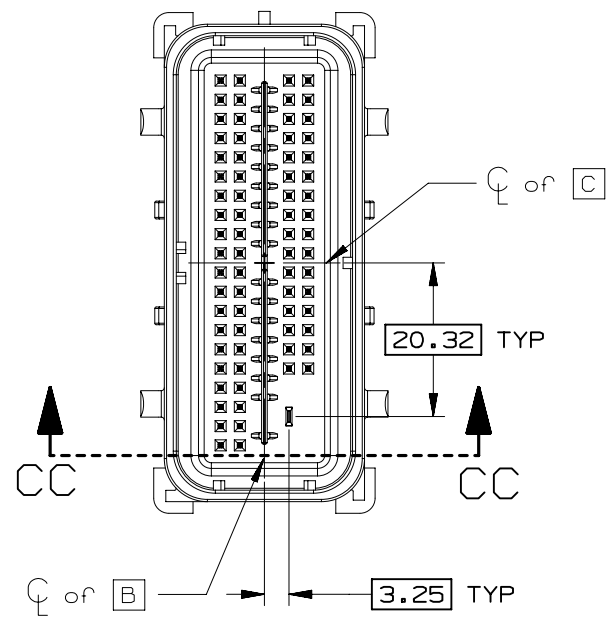


SECTION BB-BB

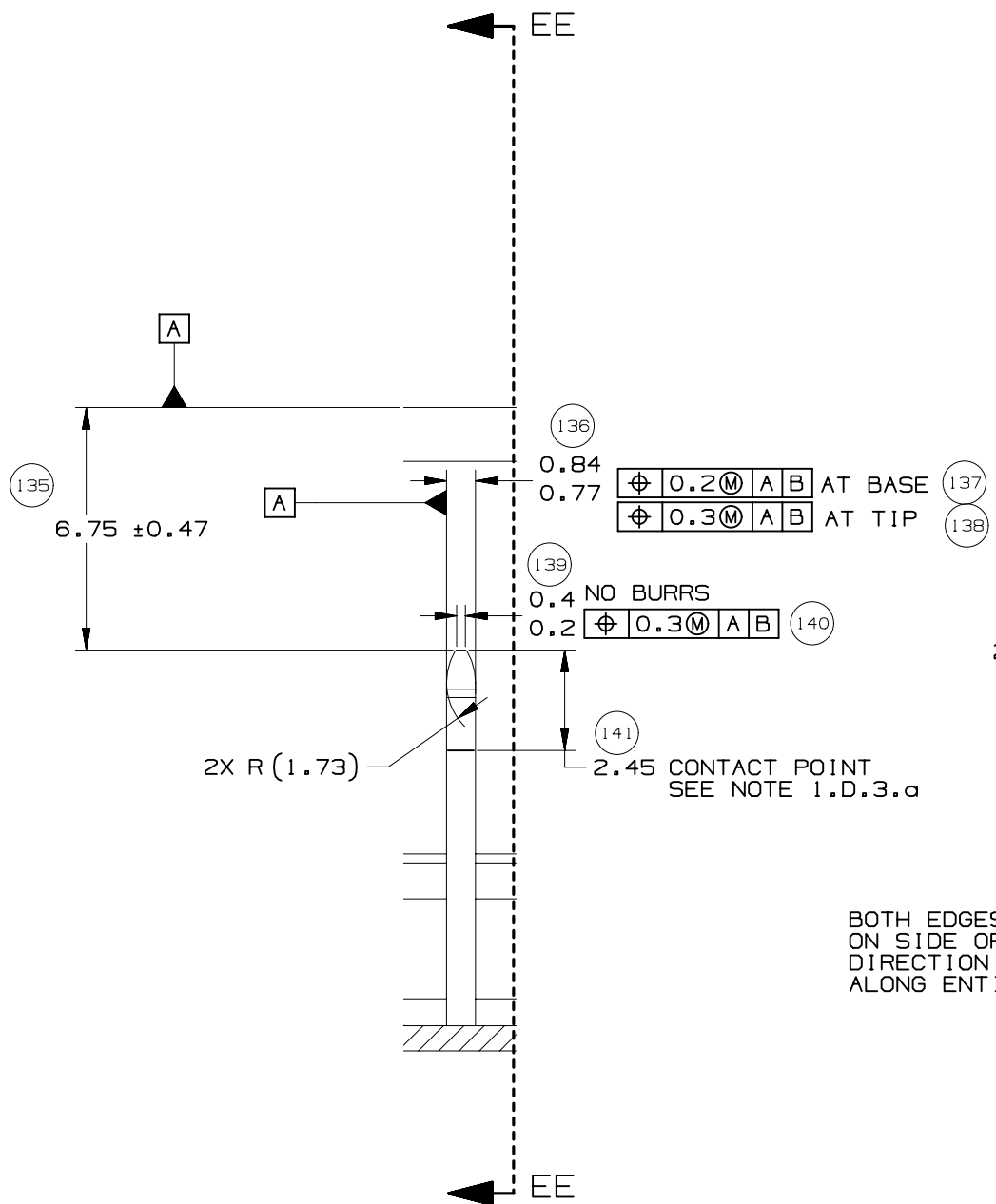


SECTION U-U

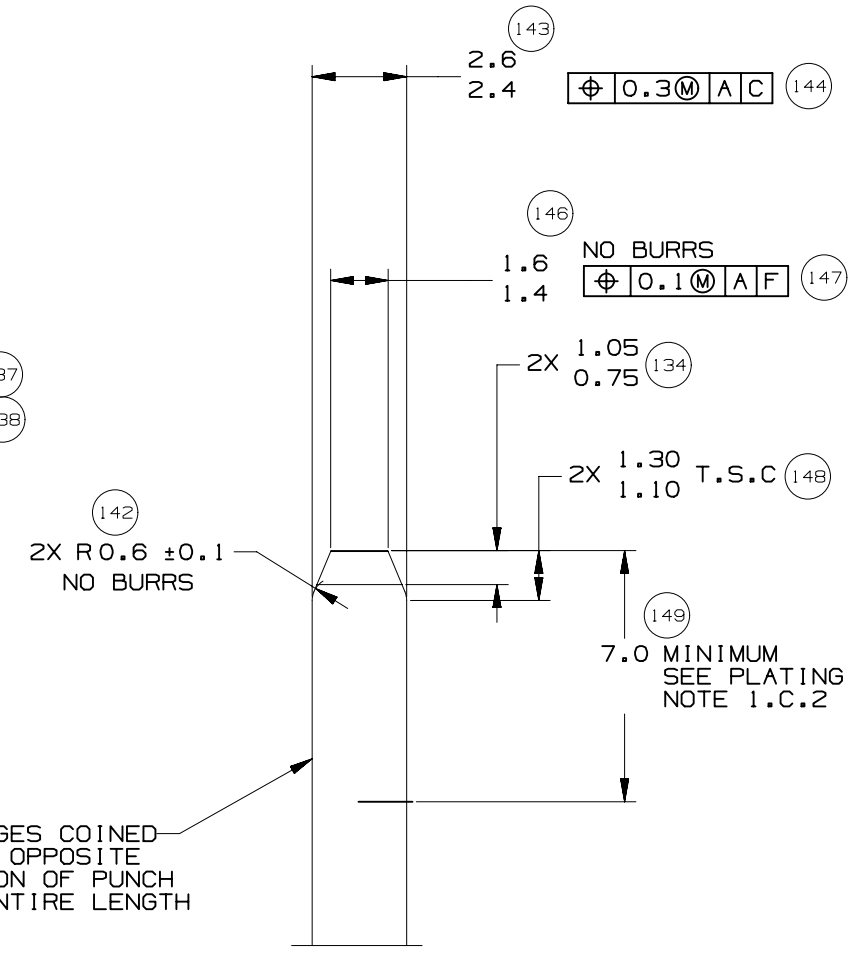




SECTION CC-CC



DETAIL DD  
TYPICAL  
SCALE 5:1

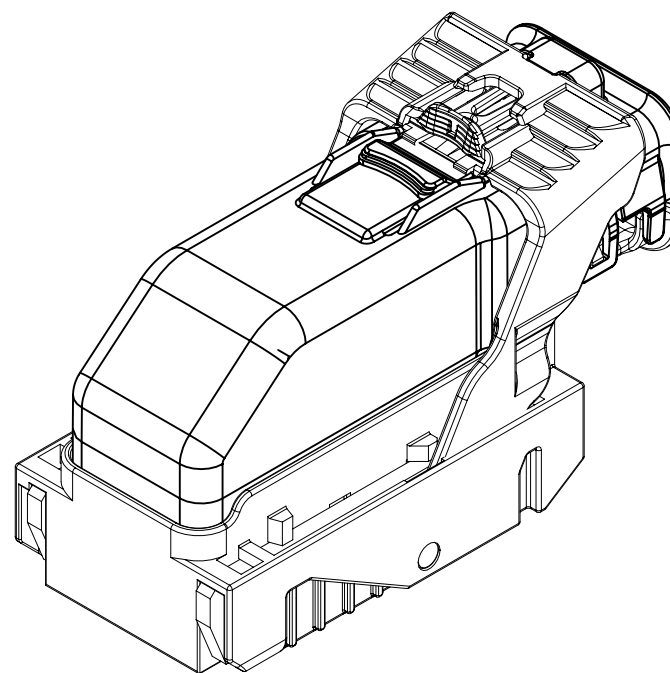


SECTION EE-EE  
TYPICAL


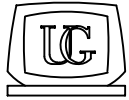
BOTH EDGES COINED  
ON SIDE OPPOSITE  
DIRECTION OF PUNCH  
ALONG ENTIRE LENGTH



INDEX	
PAGE TITLE	PAGE
TITLE BLOCK	1
REVISION BLOCK	2
PART BLOCK	3
KPC BLOCK	4
COMPONENT TABLE	5
NOTES	6
NOTES	7
WIRE DRESS PACKAGING DIMENSIONS	8
LOCATION AND PACKAGING DIMENSIONS REFERENCING INTERFACE DATUMS B & C	9
LOCATION AND PACKAGING DIMENSIONS REFERENCING INTERFACE DATUM A	10
KEY ID REF - WIRE DRESS OPTION 0	11
KEY ID REF - WIRE DRESS OPTION 9	12
CIRCUIT CONFIGURATIONS	13
CIRCUIT CONFIGURATIONS	14
COMPONENT CONNECTOR INTERFACE	15
COMPONENT CONNECTOR INTERFACE	16
COMPONENT CONNECTOR INTERFACE	17
COMPONENT CONNECTOR INTERFACE	18
COMPONENT CONNECTOR INTERFACE	19
COMPONENT CONNECTOR INTERFACE	20
COMPONENT CONNECTOR INTERFACE	21
ADDITIONAL COMPONENTS REQUIRED	22




ISO VIEW

	<p><b>UNLESS OTHERWISE SPECIFIED:</b> THIS DOCUMENT IS IN ACCORDANCE WITH ASME Y14.5M-1994 AS AMMENDED BY THE GM GLOBAL DIMENSIONING AND TOLERANCING ADDENDUM-1997. ALL GEOMETRIC TOLERANCES AND RELATED DATUMS APPLY RFS. RULE #1 (PERFECT FORM AT MMC) DOES NOT APPLY WHEN A RELATIONSHIP BETWEEN FEATURES IS ESTABLISHED BY ORIENTATION OR LOCATION TOLERANCES. SEPARATE POSITION CALLOUTS MAY BE GAGED SEPARATELY REGARDLESS OF DATUM REFERENCES.</p>			DATE
	 CHANGE RESTRICTED NO MANUAL CHANGES	REFERENCE 12H (MOLEX AUTOMOTIVE)	DRAFTER APVD1	05JN15
DO NOT SCALE		APVD2		
METRIC DIMENSIONS SHOWN IN MILLIMETERS UNLESS OTHERWISE SPECIFIED		APVD3		
	DRAWING NAME	APVD4		
	HARNESS CONN ASM-SEALED 52/66/73/80 CKTS, MX123	APVD5		
	DRAWING NUMBER	DWG STATUS		
	12672833	ST	REV	
		R	001	
		PAGE NUMBER		
		1 OF 22		

PAGE	DWG STATUS					REVISION HISTORY	AUTH	DR	CK	ENG
	DATE	ST	REV	CHG	PDI					
	05JN15	R	001			RELEASED TO PRODUCTION AT DLS A	CRMRJE	DFK		

PAGE	DWG STATUS					REVISION HISTORY	AUTH	DR	CK	ENG
	DATE	ST	REV	CHG	PDI					

	PAGE TITLE	DRAWING NUMBER	DWG STATUS			PAGE NUMBER	
	REVISION BLOCK		12672833	ST	REV	PDI	2 OF 22
				R	001		





KEY PRODUCT CHARACTERISTICS  
(IN ACCORDANCE WITH QN 1805 OR ON 1050)



SAFETY/COMPLIANCE

TOTAL ON  
DRAWING

4



FIT/FUNCTION

LAST NO.  
USED

4

NO	TYPE	DESCRIPTION	RATIONALE	PAGE/ZONE
1	F/F	32.68	IMPROVE CONNECTOR SYSTEM MATING	16
2	F/F	29.00	INSURE PROPER RELEASE OF LEVER	16
3	F/F	15.25	INSURE FINAL MATE POSITION	17
4	F/F	POSITIONAL TOLERANCE (2 PLACES)	INSURE CONNECTOR SYSTEM MATEABILITY	20



PAGE TITLE  
KPC BLOCK

DRAWING NUMBER

12672833

DWG STATUS

ST	REV	PDI
----	-----	-----

R	001	
---	-----	--

PAGE NUMBER

4 OF 22

LINE	MFG.	MFG. P/N	GM P/N	EFFECTIVE DATE	APPLICABLE COMPONENTS	KEY OPTION	WIRE DRESS OPTION	KEY CONFIG.	COLOR	STATUS
					DESCRIPTION					
-										
1	MOLEX	34565-0003	12582676	02JN03	MX123 DRESS COVER 52/66/73/80 CKT	N/A	N/A	N/A	BLACK	AVAILABLE
2	MOLEX	160094-0001	12672852	01SP13	MX123 HRNS CONN ASSY 52 CKT	A	0	1458	BLACK	AVAILABLE
3	MOLEX	160094-0003	12672854	01SP13	MX123 HRNS CONN ASSY 52 CKT	C	0	2467	BLUE	AVAILABLE
4	MOLEX	160094-0013	12672853	01SP13	MX123 HRNS CONN ASSY 52 CKT	A	9	1458	BLACK	AVAILABLE
5	MOLEX	160094-0015	12672855	01SP13	MX123 HRNS CONN ASSY 52 CKT	C	9	2467	BLUE	AVAILABLE
6	MOLEX	34822-0013	12672856	01SP13	MX123 HRNS CONN ASSY 66 CKT	A	0	1458	BLACK	AVAILABLE
7	MOLEX	34822-0033	12672858	01SP13	MX123 HRNS CONN ASSY 66 CKT	C	0	2467	BLUE	AVAILABLE
8	MOLEX	34822-0023	12672857	01SP13	MX123 HRNS CONN ASSY 66 CKT	A	9	1458	BLACK	AVAILABLE
9	MOLEX	34822-0043	12672859	01SP13	MX123 HRNS CONN ASSY 66 CKT	C	9	2467	BLUE	AVAILABLE
10	MOLEX	34566-0103	12672860	11JN04	MX123 HRNS CONN ASSY 73 CKT	A	0	1458	BLACK	AVAILABLE
11	MOLEX	34566-0203	12672862	11JN04	MX123 HRNS CONN ASSY 73 CKT	B	0	1468	ST GRAY	AVAILABLE
12	MOLEX	34566-0303	12672864	09AP08	MX123 HRNS CONN ASSY 73 CKT	C	0	2467	BLUE	AVAILABLE
13	MOLEX	34566-0603	12672866	05DC14	MX123 HRNS CONN ASSY 73 CKT	F	0	1357	NATURAL	AVAILABLE
14	MOLEX	34566-1303	12672861	11JN04	MX123 HRNS CONN ASSY 73 CKT	A	9	1458	BLACK	AVAILABLE
15	MOLEX	34566-1403	12672863	11JN04	MX123 HRNS CONN ASSY 73 CKT	B	9	1468	ST GRAY	AVAILABLE
16	MOLEX	34566-1503	12672865	09AP08	MX123 HRNS CONN ASSY 73 CKT	C	9	2467	BLUE	AVAILABLE
17	MOLEX	34566-1803	12672867	05DC14	MX123 HRNS CONN ASSY 73 CKT	F	9	1357	NATURAL	AVAILABLE
18	MOLEX	34566-0703	12672872	09AP08	MX123 HRNS CONN ASSY 80 CKT	G	0	1358	BLUE	AVAILABLE
19	MOLEX	34566-0803	12672870	11JN04	MX123 HRNS CONN ASSY 80 CKT	H	0	2458	ST GRAY	AVAILABLE
20	MOLEX	34566-0903	12672868	T.B.D	MX123 HRNS CONN ASSY 80 CKT	J	0	2457	BLACK	NOT ACTIVE
21	MOLEX	34566-1903	12672873	09AP08	MX123 HRNS CONN ASSY 80 CKT	G	9	1358	BLUE	AVAILABLE
22	MOLEX	34566-2003	12672871	11JN04	MX123 HRNS CONN ASSY 80 CKT	H	9	2458	ST GRAY	AVAILABLE
23	MOLEX	34566-2103	12672869	T.B.D	MX123 HRNS CONN ASSY 80 CKT	J	9	2457	BLACK	NOT ACTIVE
24	MOLEX	34736-0028	12672851	01AU10	MX64 RCPT TERM Ag 0.5mm/0.75mm ISO GAGE B (RIGHT PAYOFF)	N/A	N/A	N/A	N/A	AVAILABLE
25	MOLEX	34736-0026	12672850	01AU10	MX64 RCPT TERM Ag 0.35mm ISO GAGE B (RIGHT PAYOFF)	N/A	N/A	N/A	N/A	AVAILABLE
26	MOLEX	34586-0001	12674820	11JN04	MX123 0.64mm GROMMET PLUG	N/A	N/A	N/A	NATURAL	AVAILABLE
27	YAZAKI	7116-4150-02	12588066	02JN03	2.8mm YESC SEALED FEMALE TERMINAL TIN 0.35mm2-0.50mm2	N/A	N/A	N/A	N/A	NOT ACTIVE
28	YAZAKI	7116-4151-02	12588067	02JN03	2.8mm YESC SEALED FEMALE TERMINAL TIN 0.75mm2-1.0mm2	N/A	N/A	N/A	N/A	NOT ACTIVE
29	YAZAKI	7116-4152-02	12582685	02JN03	2.8mm YESC SEALED FEMALE TERMINAL TIN 1.5mm2-2.5mm2	N/A	N/A	N/A	N/A	AVAILABLE
30	YAZAKI	7158-3111-60	12588068	02JN03	2.8mm CABLE SEAL (wire O.D. range 1.2mm-1.9mm)	N/A	N/A	N/A	GREEN	NOT ACTIVE
31	YAZAKI	7158-3112-70	12588069	02JN03	2.8mm CABLE SEAL (wire O.D. range 1.8mm-2.3mm)	N/A	N/A	N/A	YELLOW	NOT ACTIVE
32	YAZAKI	7158-3113-40	12582686	02JN03	2.8mm CABLE SEAL (wire O.D. range 2.1mm-3.0mm)	N/A	N/A	N/A	WHITE	AVAILABLE
33	YAZAKI	7158-3114-90	12674821	02JN03	2.8mm YESC CAVITY PLUG	N/A	N/A	N/A	BLUE	AVAILABLE
34	MOLEX	63825-8400	N/A	02JN03	MX64 TERM HAND CRIMP TOOL	N/A	N/A	N/A	N/A	AVAILABLE
35	MOLEX	63813-1400	XX019826	02JN03	MX64 TERM SERVICE TOOL	N/A	N/A	N/A	N/A	AVAILABLE
36	MOLEX	63902-5300	N/A	02JN03	MX64 CRIMP APPLICATOR with TOOL KIT 0.5/0.75mm2 PAYOFF DIRECTION D (left payoff) (contact Molex for payoff detail)	N/A	N/A	N/A	N/A	AVAILABLE
37	MOLEX	63902-5370	N/A	02JN03	MX64 APPLICATOR TOOL KIT 0.5/0.75mm2	N/A	N/A	N/A	N/A	AVAILABLE
38	MOLEX	63902-5100	N/A	02JN03	MX64 CRIMP APPLICATOR with TOOL KIT 0.35mm2 PAYOFF DIRECTION D (left payoff) (contact Molex for payoff detail)	N/A	N/A	N/A	N/A	AVAILABLE
39	MOLEX	63902-5170	N/A	02JN03	MX64 APPLICATOR TOOL KIT 0.35mm2	N/A	N/A	N/A	N/A	AVAILABLE
40	SPX	J35616-64	T.B.D.	02JN03	0.64mm PROBE TOOL (for rcpt)	N/A	N/A	N/A	N/A	AVAILABLE
41	SPX	J35616-64A	T.B.D.	02JN03	0.64mm PROBE TOOL WITH EXT (for rcpt)	N/A	N/A	N/A	N/A	AVAILABLE
42	SPX	J35616-65	T.B.D.	02JN03	0.64mm PROBE TOOL WITH EXT (for pin)	N/A	N/A	N/A	N/A	AVAILABLE
43	SPX	J35616-4A	T.B.D.	02JN03	2.8mm PROBE TOOL (for rcpt)	N/A	N/A	N/A	N/A	AVAILABLE
44	YAZAKI	X39899-J374	12094430	02JN03	2.8mm TERM SERVICE TOOL	N/A	N/A	N/A	N/A	AVAILABLE
45	TQI	7000-1006	N/A	15JN15	52 CKT PASS THROUGH ADAPTERS	N/A	N/A	N/A	BLACK	AVAILABLE
46	TQI	7000-1002	N/A	15JN15	66 CKT PASS THROUGH ADAPTERS	N/A	N/A	N/A	BLACK	AVAILABLE
47	TQI	79917-0061	N/A	15JN15	73 CKT PASS THROUGH ADAPTERS	N/A	N/A	N/A	BLACK	AVAILABLE
48	TQI	79917-0066	N/A	15JN15	80 CKT PASS THROUGH ADAPTERS	N/A	N/A	N/A	BLACK	AVAILABLE

\* - MX123 DRESS COVER 52/66/73/80 CKT MATES TO ANY MX123 HARN CONN ASSY SHOWN ON TABLE ABOVE



PAGE TITLE  
COMPONENT TABLE

DRAWING NUMBER

12672833

DWG STATUS

ST	REV	PD1
R	001	

PAGE NUMBER

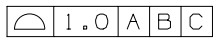
5 OF 22

NOTES: UNLESS OTHERWISE SPECIFIED

1. MATERIAL FOR INTERFACE:


- A. RESIN:
  - 1. 30% G.F. PBT; 20% MAX. (BY WEIGHT) REGRIND.
  - 2. MATING CONNECTOR INTERFACE PART COLOR MUST BE SAME AS MATCHING KEYED HARNESS CONNECTOR ASSEMBLY.
  - 3. MUST BE VALIDATED FOR INDIVIDUAL DEVICE APPLICATION REQUIREMENTS.
- B. 0.64MM PINS:
  - 1. BASE MATERIAL: COPPER ALLOY; CONDUCTIVITY >= 28% IACS AT 20°C; TENSILE STRENGTH >= 635 N/mm<sup>2</sup>; SURFACE ROUGHNESS R<sub>a</sub> 6 MAX.
  - 2. PLATING FINISH: SILVER (Ag). PLATING TO BE 1.9-3.3 μm ELECTRODEPOSITED SEMI-BRIGHT SILVER OVER 1.25-2.25 μm DUCTILE SULPHAMATE NICKEL PER NOTE 1(D).
  - 3. ANTI-TARNISH: SYNTHETIC HYDROCARBON CONTACT SURFACE FINISH OR EQUIVALENT APPLIED WITHOUT VOID TO CONTACT AREA (MIN 3.7mm FROM PIN TIP).
- C. 2.8MM BLADE:
  - 1. BASE MATERIAL: COPPER ALLOY; CONDUCTIVITY >= 28% IACS AT 20°C; TENSILE STRENGTH >= 350 N/mm<sup>2</sup>; SURFACE ROUGHNESS R<sub>a</sub> 6 MAX.
  - 2. PLATING FINISH: TIN. PLATING TO BE 2.5-5.0 μm ELECTRODEPOSITED TIN, MATTE FINISH OVER 1.25-2.5 μm DUCTILE SULPHAMATE NICKEL PER NOTE 1(D).
- D. PLATING REQUIREMENTS:
  - 1. SILVER PLATING
    - a. 99.5% PURE SEMI-BRIGHT WITH NO ORGANIC BRIGHTNERS OR CHROMATES.
  - 2. NICKEL PLATING
    - a. ELECTRODEPOSITED DUCTILE SULFAMATE NICKEL WITH A NON-BRIGHTENED FINISH. NO ORGANIC OR BRIGHTENING AGENTS SHALL BE ALLOWED.
    - b. SHALL ONLY BE USED AS AN UNDERLYING PLATING AND MAY NOT BE USED AS AN ELECTRICAL CONTACT SURFACE PLATING.
    - c. SHALL BE NODULE FREE WHEN VIEWED AT 10X MAGNIFICATION IN MEASURED IN CONTACT SURFACE AREA PLUS 0.5MM PERIMETER AROUND THE CONTACT SURFACE AREA.
    - d. ALL PLATINGS SHALL HAVE A 1.0% MAXIMUM BY WEIGHT IMPURITIES. IMPURITIES ARE DEFINED AS ALL ELEMENTS NOT THE PRIMARY PLATING OR HARDENING AGENT IF APPLICABLE, AS DETERMINED BY WET CHEMICAL ANALYSIS OR AUGER METHOD. NO SINGLE IMPURITY SHALL EXCEED 0.1% MAXIMUM BY WEIGHT.
  - 3. TESTING
    - a. THICKNESS TO BE MEASURED IN CONTACT SURFACE AREA PLUS 0.5MM PERIMETER AROUND THE CONTACT SURFACE AREA AS DESIGNATED IN THE DRAWING. THICKNESS SHALL BE DETERMINED BY METHOD OF X-RAY (XRF).
    - b. PLATING ADHESION SHALL BE TESTED BY A BEND TEST FOR ALL METALS. THE TEST SAMPLE SHALL BE BENT 90 DEGREES TO DETERMINE DEPOSIT ADHESION. TESTING SHALL BE COMPLETED IN ACCORDANCE WITH ASTM SPEC B571.

2. DESIGN - GENERAL:

- A. THIS IS A 100% CAD GENERATED PART. THE CAD MATHEMATICAL DATA IS THE MASTER FOR THIS PART. FOR DIMENSIONAL OR ANY INFORMATION NOT SHOWN ON THIS DRAWING, ANALYZE THE CAD MODEL.
- B. TOLERANCES:
  - 1. LINEAR
    - 0.X ± 0.30
    - 0.XX ± 0.10
    - 0.XXX ± 0.10
  - 2. ANGULAR X° ± 3°
  - 3. 
- C. MINIMUM WALL THICKNESS REQUIRED: 1.3mm.
- D. CORNERS SHOWN AS SHARP TO BE R 0.2 MAX.
- E. LETTERING SHALL BE 0.15 MAX RAISED IN 0.20 MAX RECESS PAD. THIS INCLUDES MATERIAL CODE, RECYCLING CODE, CAVITY ID AND DATE CODE.
- F-1. PARTS MUST BE FREE OF DISCOLORATION, SALT RESIDUE AND OTHER IMPERFECTIONS THAT AFFECT FIT OR FUNCTION.
- F-2. SCRATCHES OR DENTS NOT TO EXCEED 0.013mm IN DEPTH.
- G. FOLLOWING PRODUCTION CODES TO BE PERMANENTLY MARKED & HUMAN READABLE TO A LETTER HEIGHT OF 1.5 ± 0.5MM X 0.3 MAX DEEP
  - 1. MATERIAL #: XXXXX-XXXX
  - 2. DATE CODE: JJYY (JULIAN DAY, LAST DIGIT OF YEAR)
  - 3. INSPECTION MACHINE CODE + SERIAL #: X\_XXXXX

3. DESIGN - MANUFACTURING:

- A. DRAFT TO BE WITHIN TOLERANCE.
- B. ALLOWABLE FLASH MAX 0.2 HIGH X MAX 0.13 THICK.
- C. ALLOWABLE PARTING LINE MISMATCH 0.2 MAX.
- D. EJECTOR PINS MARK TO BE FLUSH TO 0.25 MAX DEPRESSED.
- E. ALLOWABLE GATE VESTIGE FLUSH TO 0.25 MAX PROTRUSION.
- F. NO EXTERNAL MOLD RELEASE AGENT ALLOWED DURING MANUFACTURING.
- G. STEEL THAT FORMS THE INDICATED SURFACE MUST BE POLISHED WITH A DIAMOND FINISH (SPI A-2) OVER THE FULL PERIPHERY OF THE TOOL. SURFACE MUST HAVE NO MISMATCH.
- H. ANY PROCESS LUBRICANT REMAINING ON THE TERMINAL MUST NOT VARNISH OR DEGRADE IT'S ELECTRICAL PERFORMANCE UP TO A MAXIMUM CLASS AMBIENT TEMPERATURE PER SAE USCAR-2 FOR 1008 HOURS. PROCESS LUBRICANTS SHOULD BE APPROVED BY THE RESPONSIBLE ENGINEER.
- J. OPTIONAL FEATURES PROVIDED FOR AUTOMATION.
- K. PART MUST BE FREE FROM BURRS AND SHARP EDGES, WHICH MIGHT BE DETRIMENTAL TO SATISFACTORY ASSEMBLY, SAFE HANDLING OR FUNCTION OF PART.
- L. PARTS AS DELIVERED TO ASSEMBLY SHALL BE CLEAN AND FREE OF DEBRIS, RESIDUAL ABRASIVE MATERIAL AND CORROSION PRODUCTS ADVERESLY AFFECTING FUNCTION OR APPEARANCE.
- M. RESTRICTED AND REPORTABLE SUBSTANCES FOR PARTS PER GMW3059.

	PAGE TITLE	DRAWING NUMBER  <span style="font-size: 24pt;">12672833</span>	DWG STATUS			PAGE NUMBER  6 OF 22
	NOTES		ST	REV	PDI	
	R		001			

NOTES: UNLESS OTHERWISE SPECIFIED

4. SYSTEM REQUIREMENTS:

- A. HARNESS CONNECTOR IS COMPATIBLE WITH THE FOLLOWING ISO WIRE SIZE NO'S:  
 0.35mm<sup>2</sup>, MEETING GMW15626 - MIN OD OF 1.30MM  
 0.50mm<sup>2</sup>, MEETING GMW15626  
 0.75mm<sup>2</sup>, MEETING GMW15626 - MAX OD OF 2.06MM

B. CABLE TIE SPECIFICATIONS:

1. CABLE TIE:  
 TENSILE RATING: 220N / (50lbs) MIN  
 TIE LENGTH: 186mm MIN  
 TIE WIDTH: 4.75mm MAX  
 MATERIAL: NYLON  
 2. INSTALLATION:  
 CABLE TIE TENSION: 190N MIN  
 3. DRESSED WIRE BUNDLE PACKAGING: SEE FIG. 1

C. WHEN MATED WITH COMPONENT CONNECTOR INTERFACE AND/OR DRESS COVER, HARNESS CONNECTOR SYSTEM CONFORMS TO THE FOLLOWING:

1. SAE/USCAR-2, REV: 3 APRIL, 2001; CLASS 3  
 2. FIELD CORRELATED LIFE TEST, SAE/USCAR-20, NOV. 2001  
 3. GMW #3191 AUGUST 22, 2000 (DRAFT); TEMPERATURE CLASS 3, SEALING CLASS 1, VIBRATION CLASS 2  
 4. RESTRICTED AND REPORTABLE CHEMICALS PER GMW #3059, REV: D AUGUST 2002  
 5. TPA USER FORCES (FULLY POPULATED WITH TERMINALS)  
 a. REMOVAL FROM LOCK TO PRE-SET: <=120N

D. WIRE SPECIFICATIONS:

1. WIRE SURFACE MUST BE FREE OF SCRATCHES, GROOVES OR DENTS WHERE FUNCTIONAL

5. TERMINAL CURRENT RATINGS:

A. MX64 RCPT TERM

ALL TESTING DONE IN ACCORDANCE WITH USCAR-2 REV5 SECTION 5.3

1. MX64 RCPT TERM Ag 0.50/0.75mm<sup>2</sup> CRIMPED TO 0.75mm<sup>2</sup> ISO WIRE AND MATED TO MX123 0.64MM PIN: SEE TABLE BELOW  
 2. MX64 RCPT TERM Ag 0.35mm<sup>2</sup> CRIMPED TO 0.35mm<sup>2</sup> ISO WIRE AND MATED TO MX123 0.64MM PIN: SEE TABLE BELOW

WIRE	CURRENT RATING			
	23°C	85°C	105°C	125°C
0.75mm <sup>2</sup>	11.3A	11.3A	9.5A	6.6A
0.50mm <sup>2</sup>	10.0A	10.0A	8.3A	5.7A
0.35mm <sup>2</sup>	8.5A	8.5A	7.1A	5.0A

B. 2.8MM RCPT TERM

ALL TESTING DONE IN ACCORDANCE WITH MOLEX DVP&R 0279 (TR # 7125)

1. 2.8MM RCPT TERM TIN 2.0mm<sup>2</sup> CRIMPED TO 2.0mm<sup>2</sup> ISO WIRE AND MATED TO MX123 2.8MM BLADE: 25.6 AMPS AT 125°C

6. CONTACT MOLEX AUTOMOTIVE FOR AVAILABLE CUSTOM PATTERNS OF CAVITIES OPEN FOR CIRCUITS - SEE GM DRAWING 13507496



PAGE TITLE  
NOTES

DRAWING NUMBER

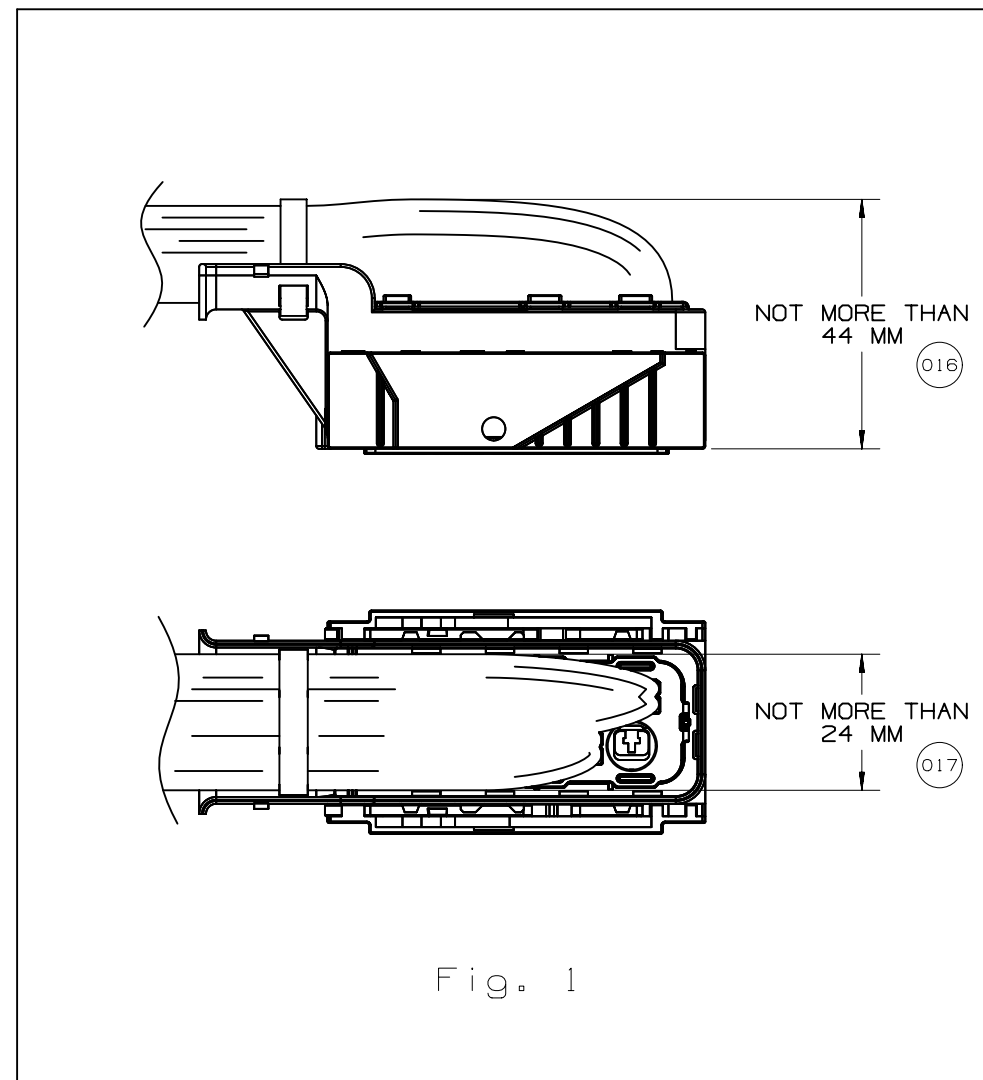
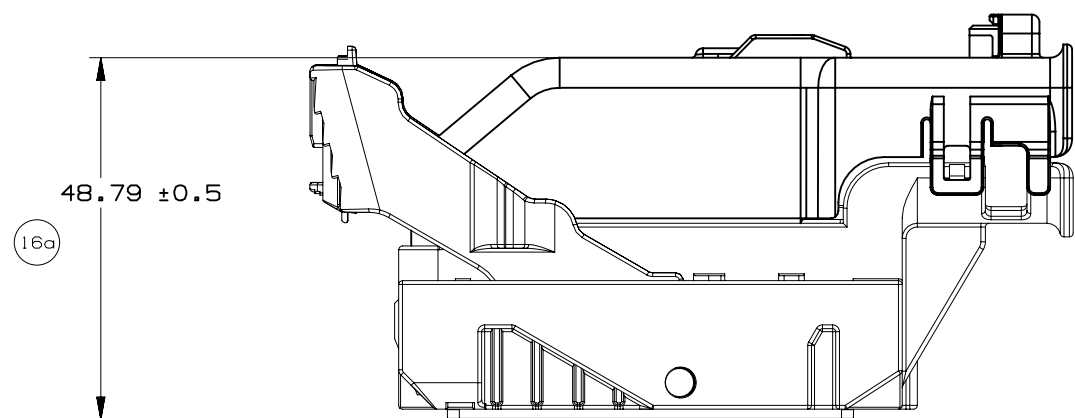
12672833

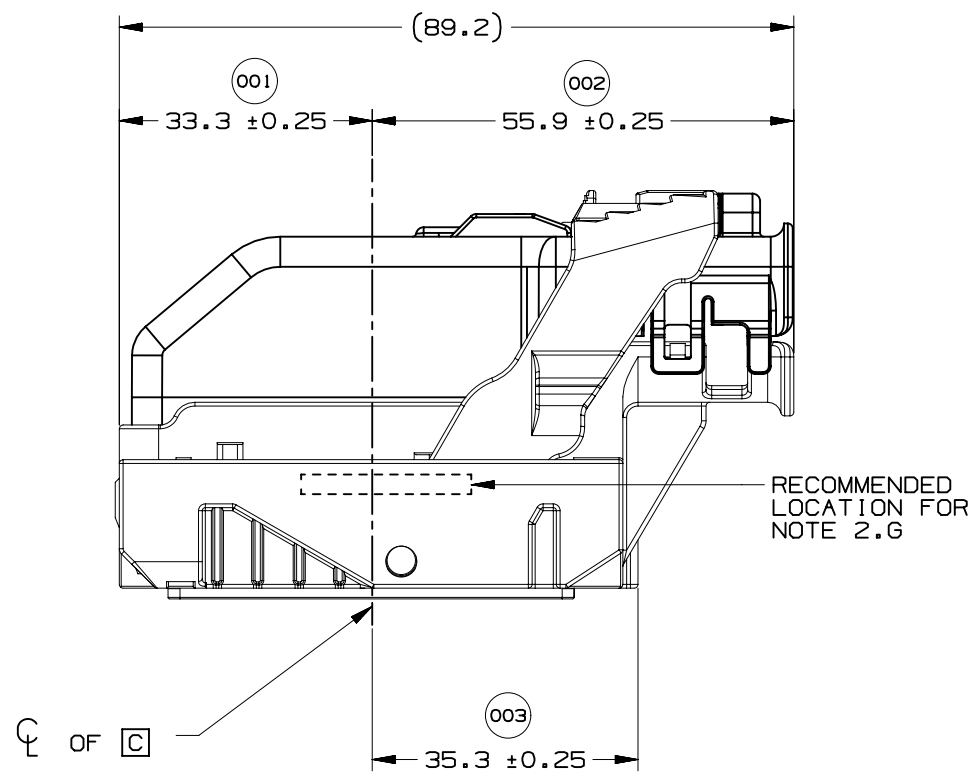
DWG STATUS

ST	REV	PDI
R	001	

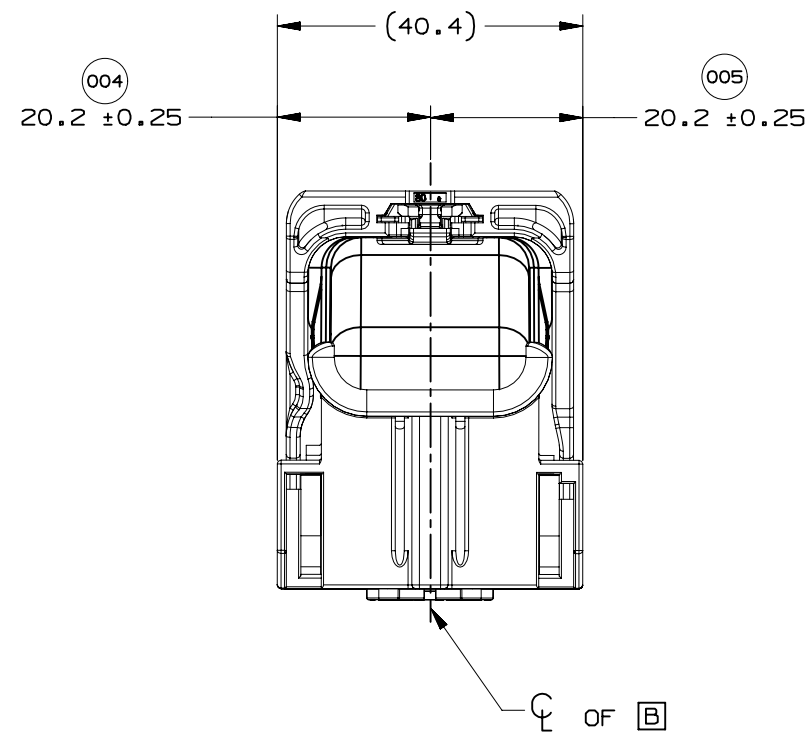
PAGE NUMBER

7 OF 22

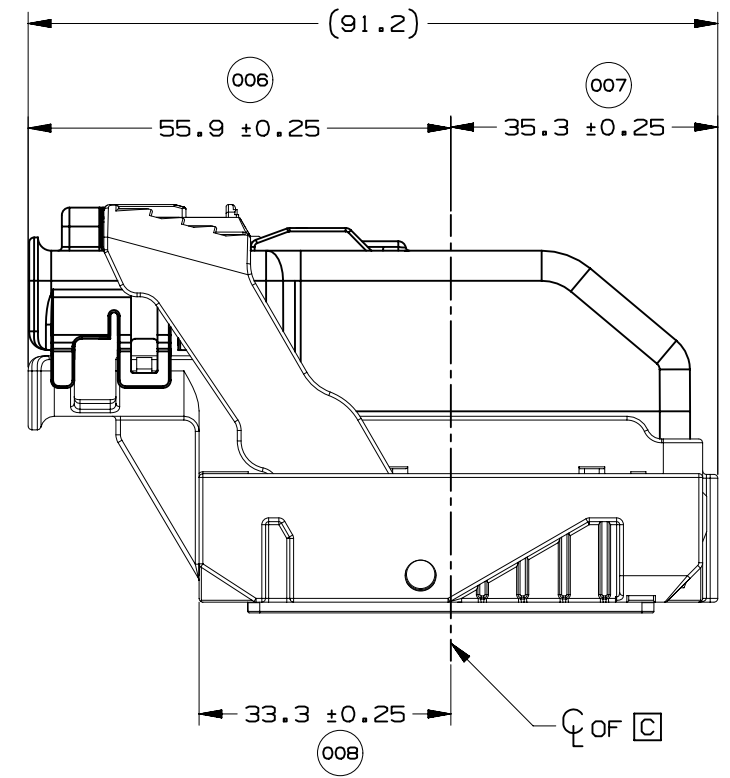




WIRE DRESS OPTION 0 SHOWN

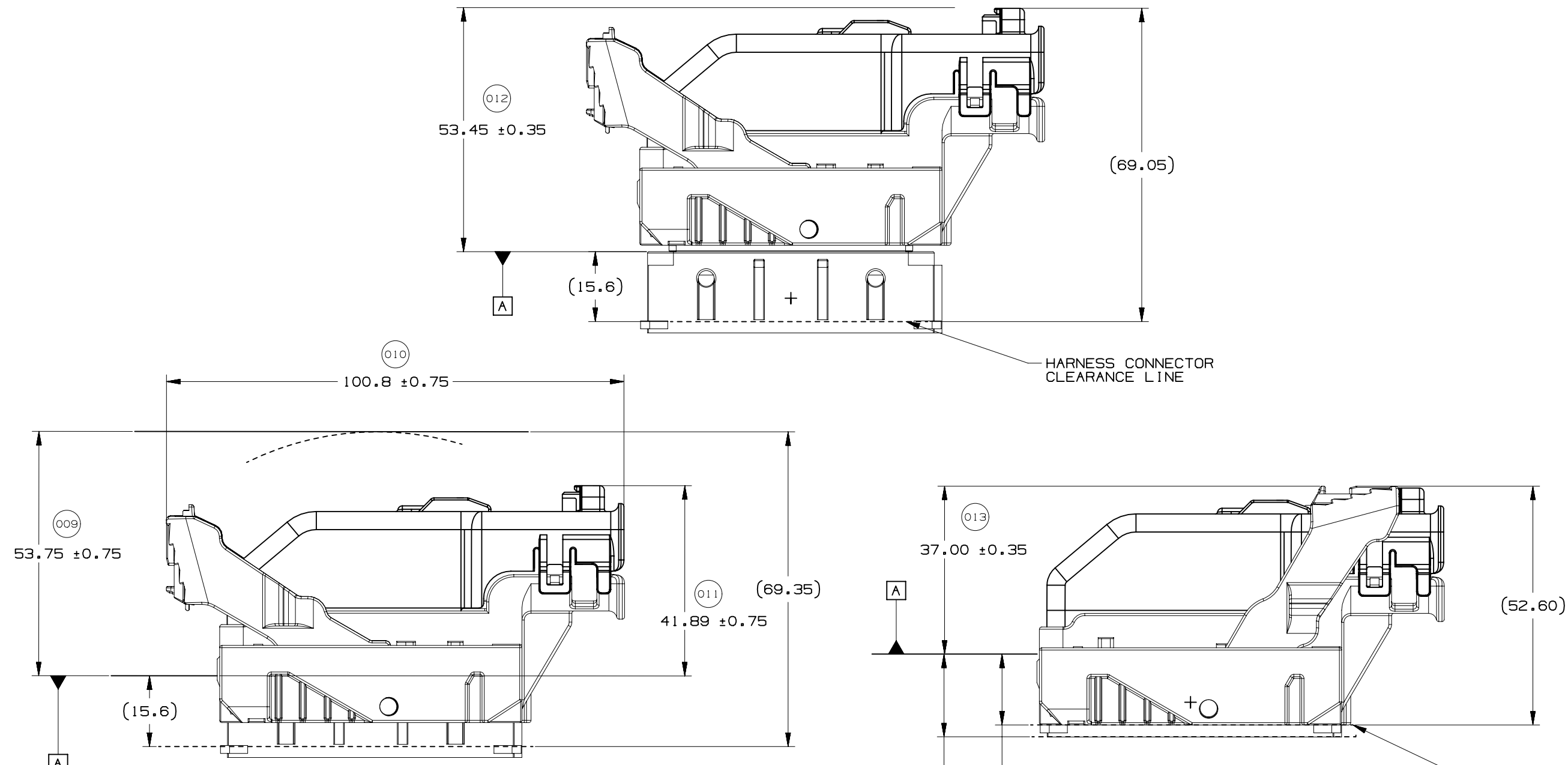


WIRE DRESS OPTION 0 SHOWN



WIRE DRESS OPTION 9 SHOWN





HARNESS CONNECTOR CLEARANCE LINE

HARNESS CONNECTOR ASSEMBLY IN FULLY-MATED POSITION

HARNESS CONNECTOR CLEARANCE LINE

15.6 MIN. ALL AROUND CLEARANCE REQUIRED FOR HARNESS CONNECTOR (014)

17.9 MIN. AT PAD LOCATION CLEARANCE REQUIRED FOR HARNESS CONNECTOR CONSTRUCTION BELOW THIS PLANE IS NOT CONTROLLED (015)



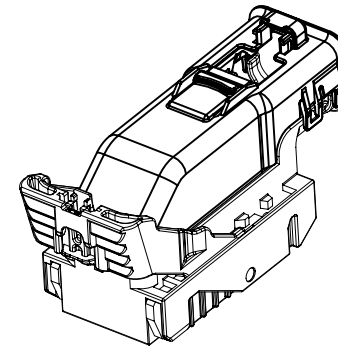
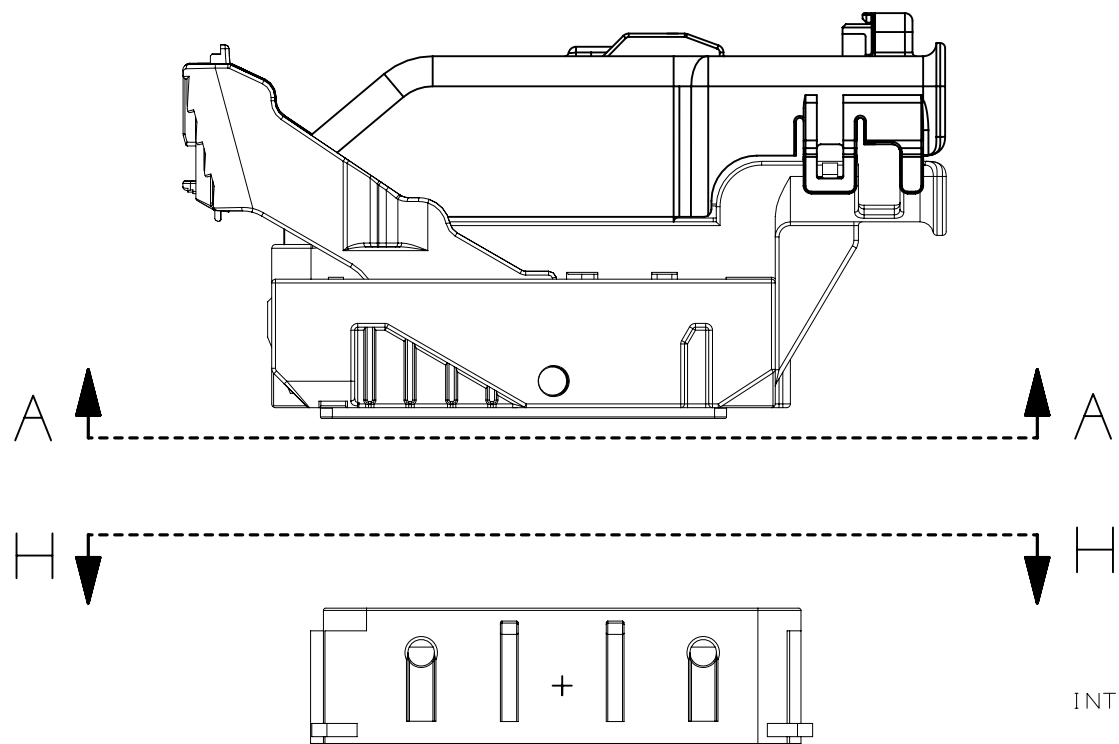
PAGE TITLE  
LOCATION AND PACKAGING DIMENSIONS  
REFERENCING INTERFACE DATUM A

DRAWING NUMBER  
12672833

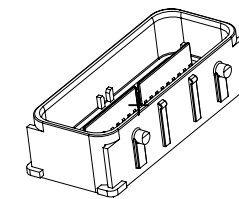
DWG STATUS		
ST	REV	PD1
R	001	

PAGE NUMBER  
10 OF 22

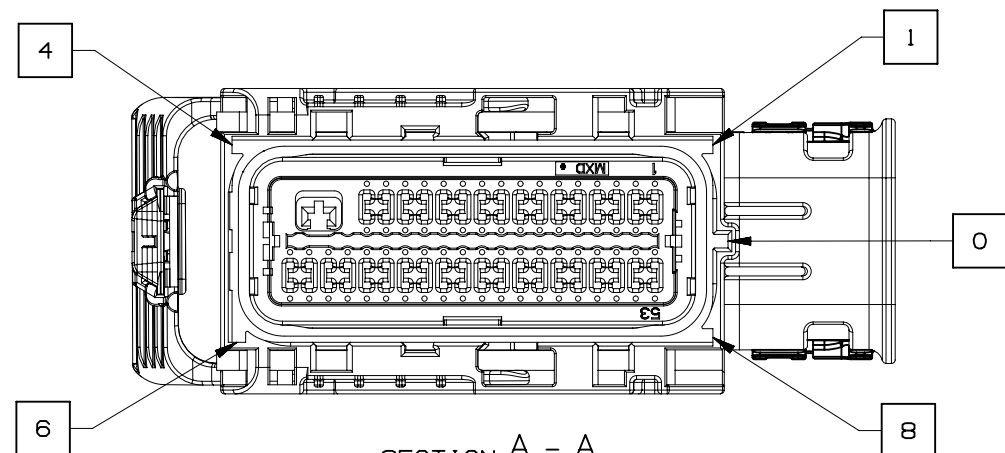




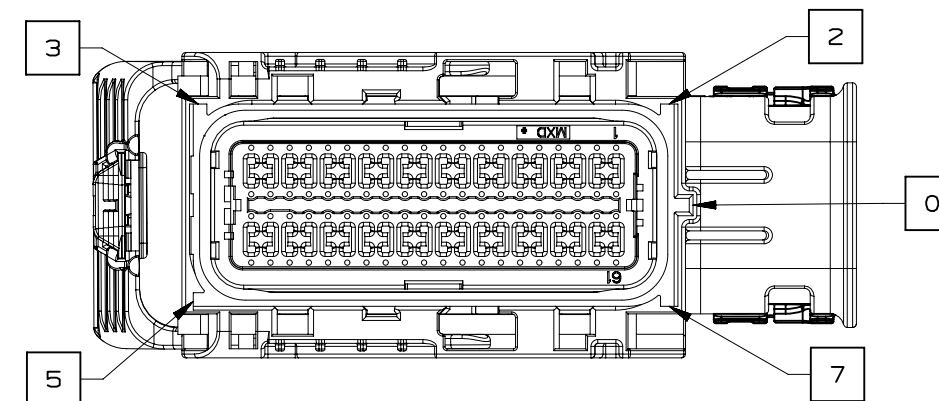
NOTE: REFERENCE THE COMPONENT TABLE FOR KEY OPTIONS AND CONFIGURATIONS



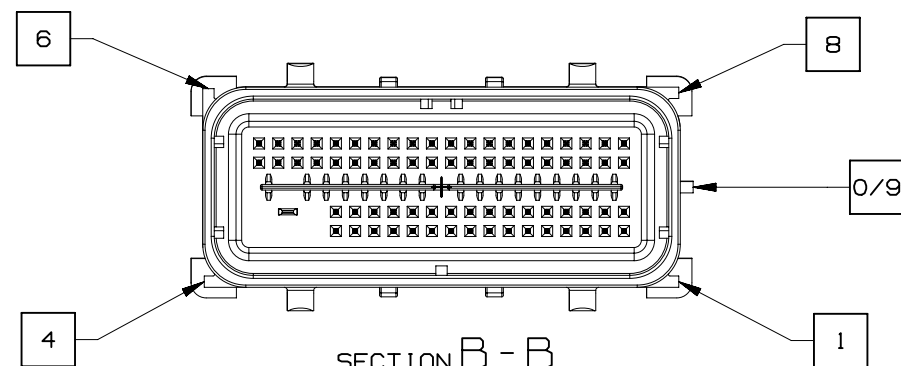
INTERFACE SIDE SHOWN ON ALL SECTION VIEWS



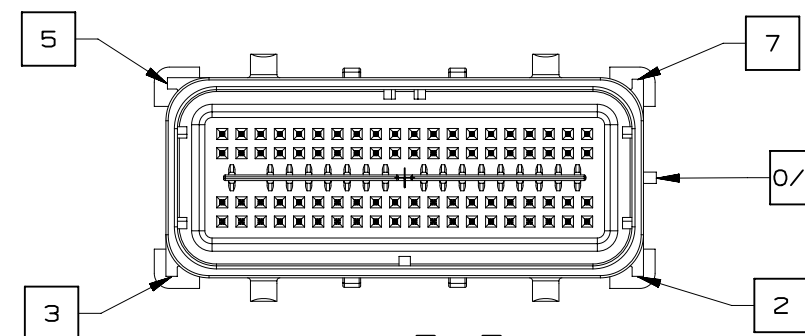
SECTION A - A  
73 CKT HARNESS CONNECTOR ASSEMBLY  
KEY OPTION B SHOWN



SECTION A - A  
80 CKT HARNESS CONNECTOR ASSEMBLY  
KEY OPTION K SHOWN



SECTION B - B  
73 CKT HARNESS CONNECTOR ASSEMBLY  
KEY OPTION B SHOWN



SECTION B - B  
80 CKT HARNESS CONNECTOR ASSEMBLY  
KEY OPTION K SHOWN

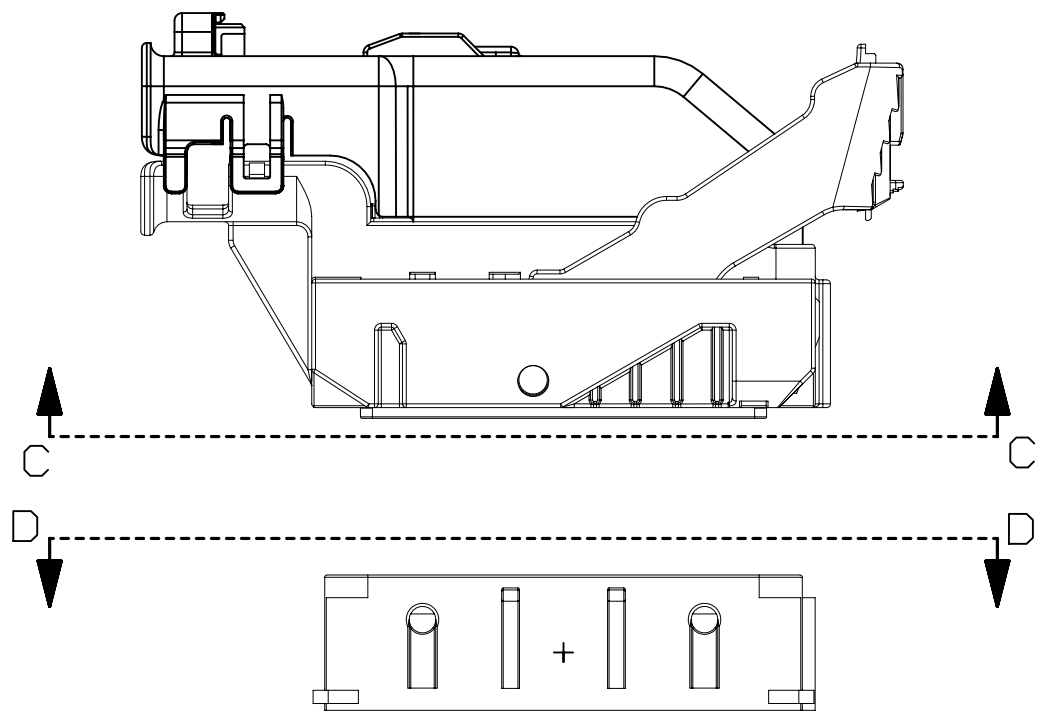


PAGE TITLE  
KEY ID REF - WIRE DRESS OPTION 0

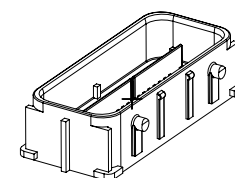
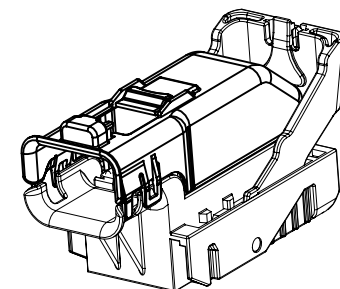
DRAWING NUMBER  
12672833

DWG STATUS		
ST	REV	PD1
R	001	

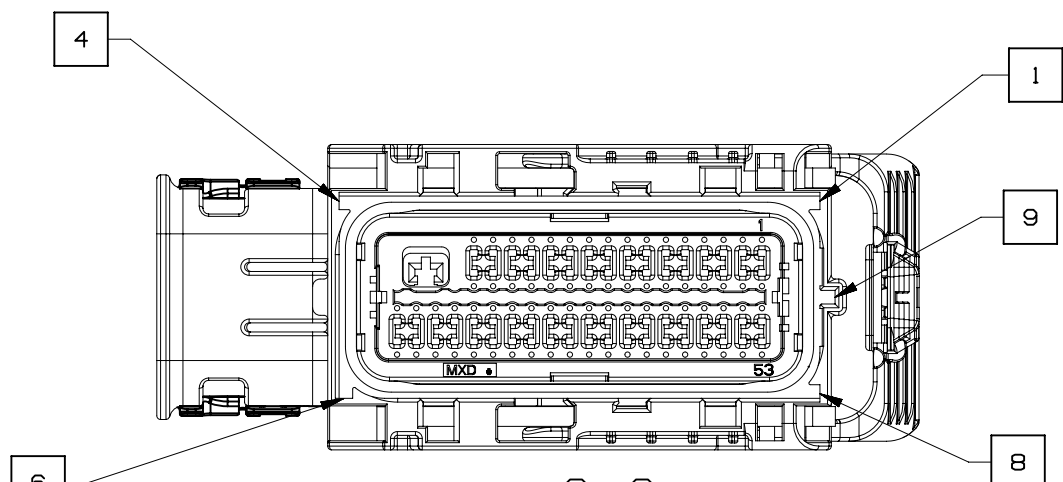
PAGE NUMBER  
11 OF 22



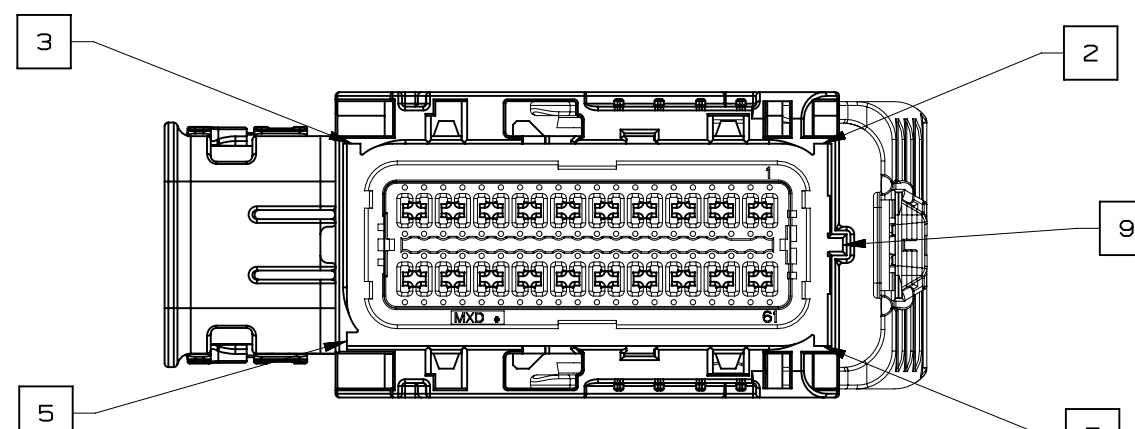
INTERFACE SIDE SHOWN ON ALL SECTION VIEWS



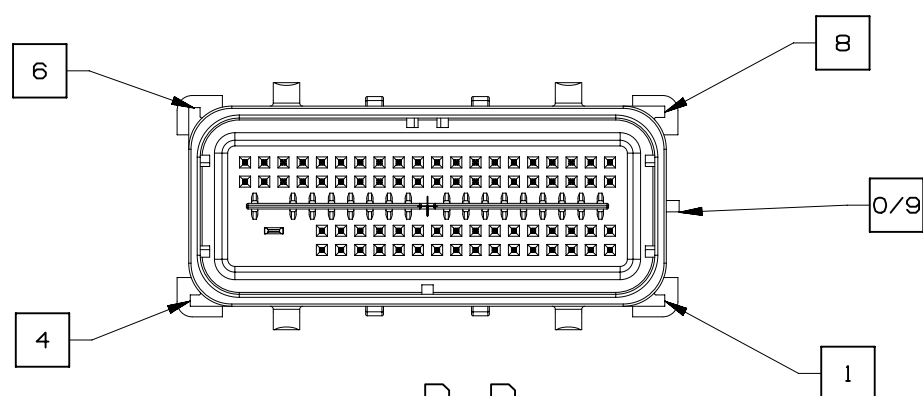
NOTE: REFERENCE THE COMPONENT TABLE FOR KEY OPTIONS AND CONFIGURATIONS



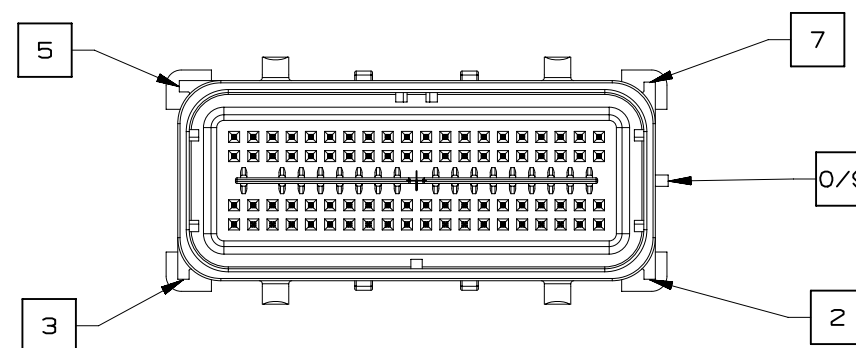
SECTION C - C  
73 CKT HARNESS CONNECTOR ASSEMBLY  
KEY OPTION B SHOWN



SECTION C - C  
80 CKT HARNESS CONNECTOR ASSEMBLY  
KEY OPTION K SHOWN



SECTION D - D  
73 CKT HARNESS CONNECTOR ASSEMBLY  
KEY OPTION B SHOWN



SECTION D - D  
80 CKT HARNESS CONNECTOR ASSEMBLY  
KEY OPTION K SHOWN

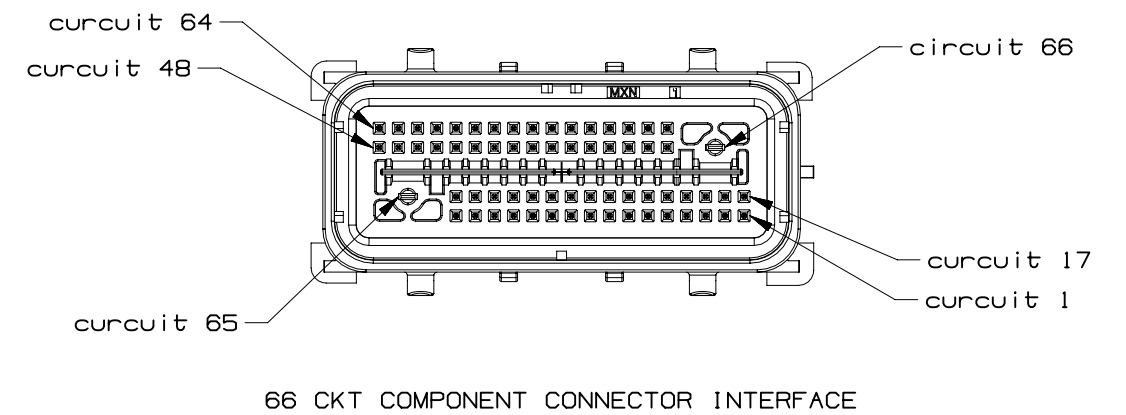
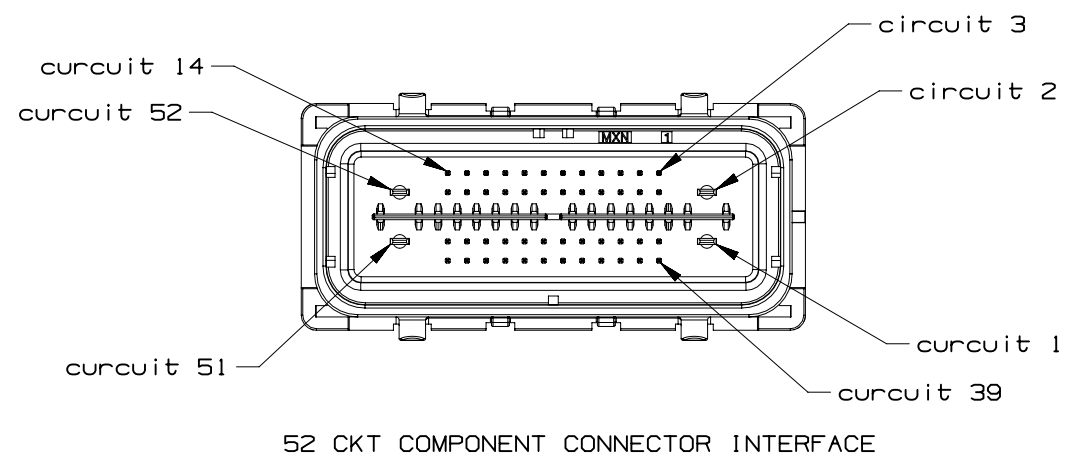
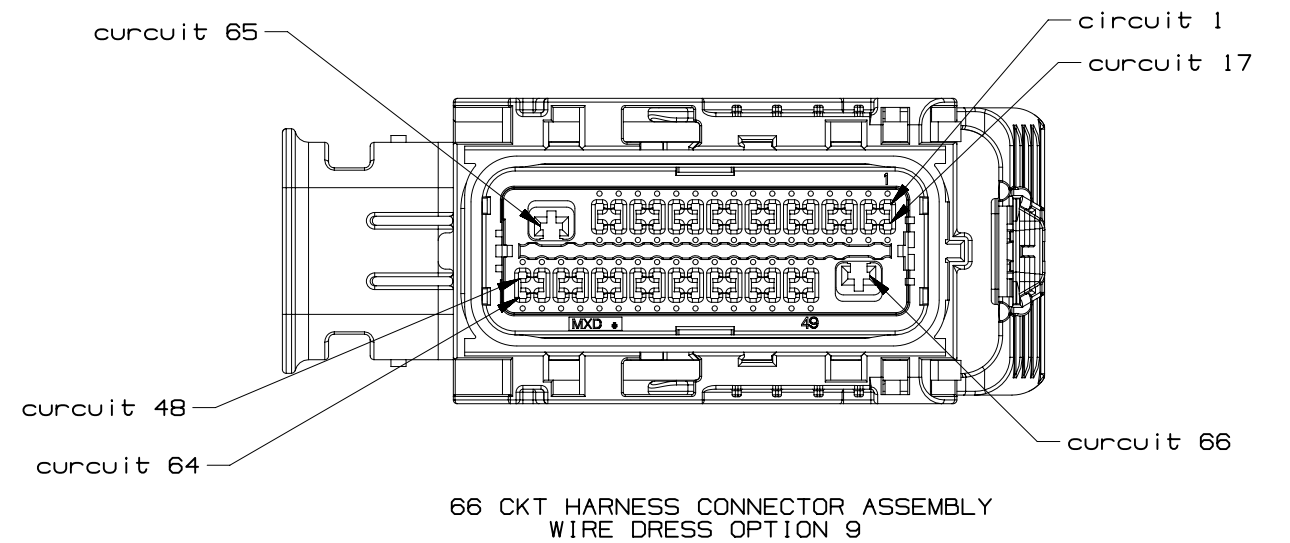
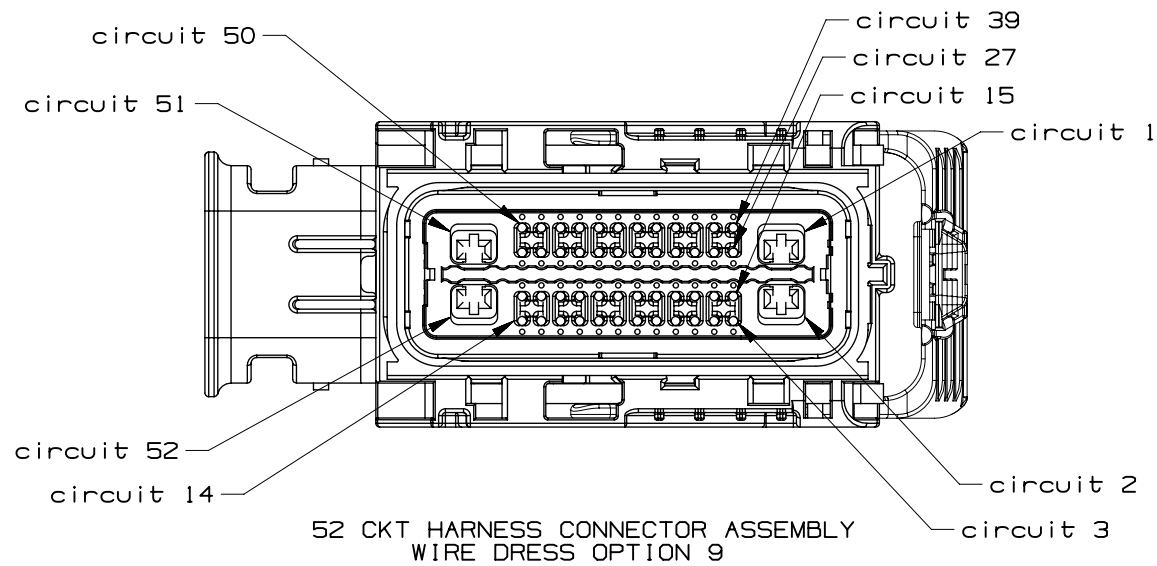
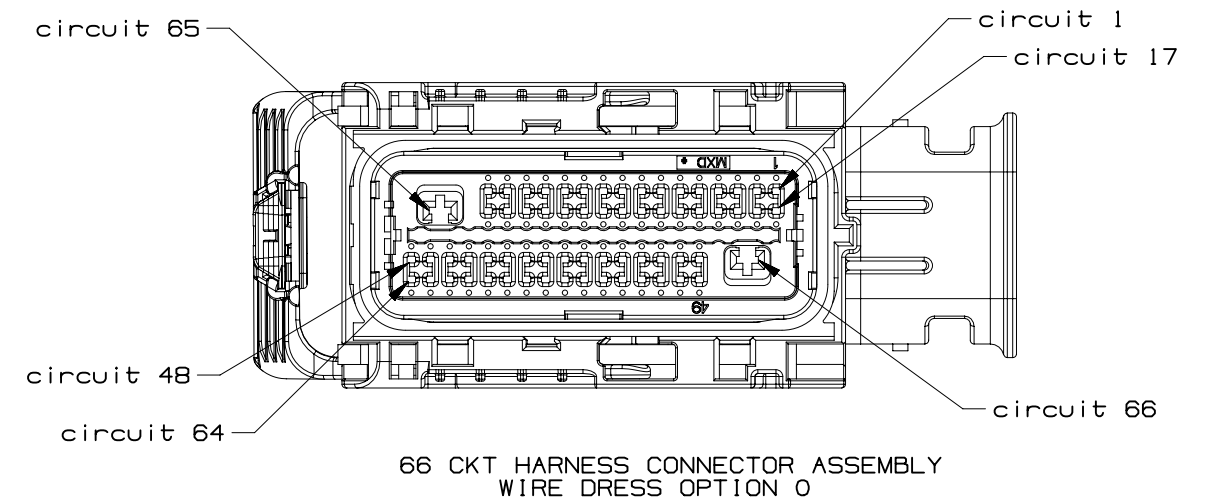
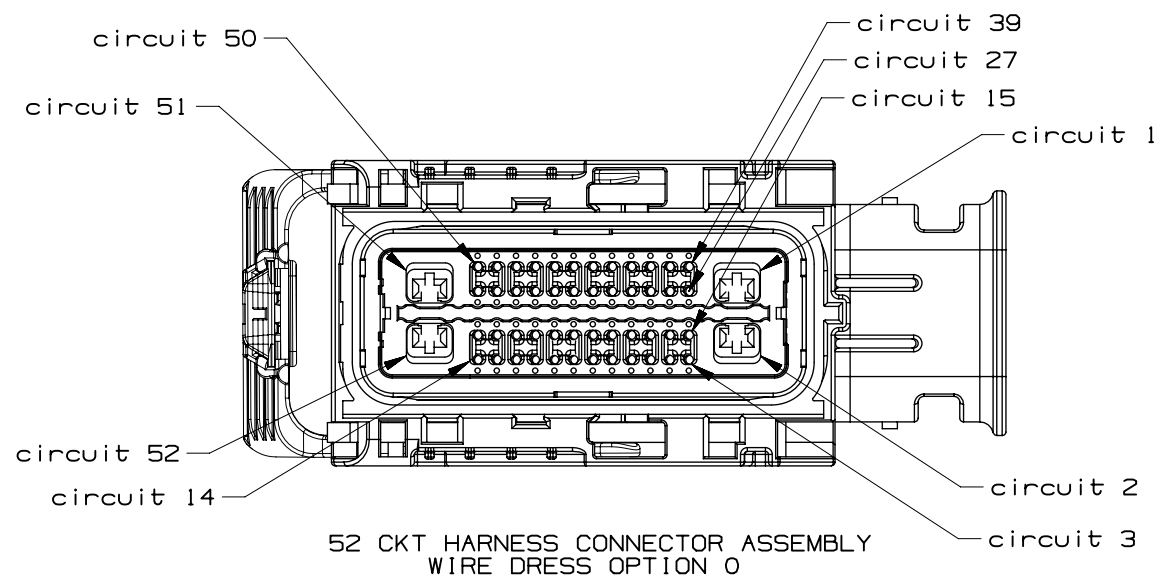


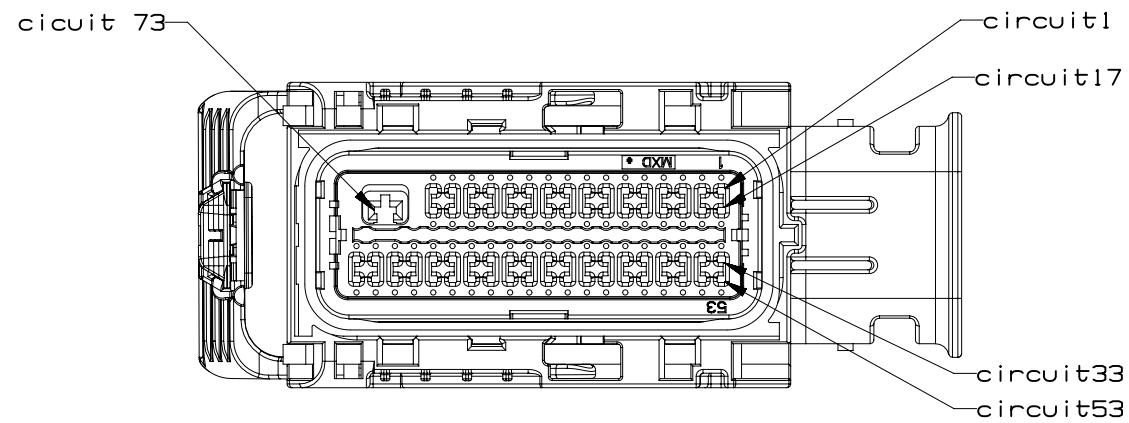
PAGE TITLE  
KEY ID REF - WIRE DRESS OPTION 9

DRAWING NUMBER  
12672833

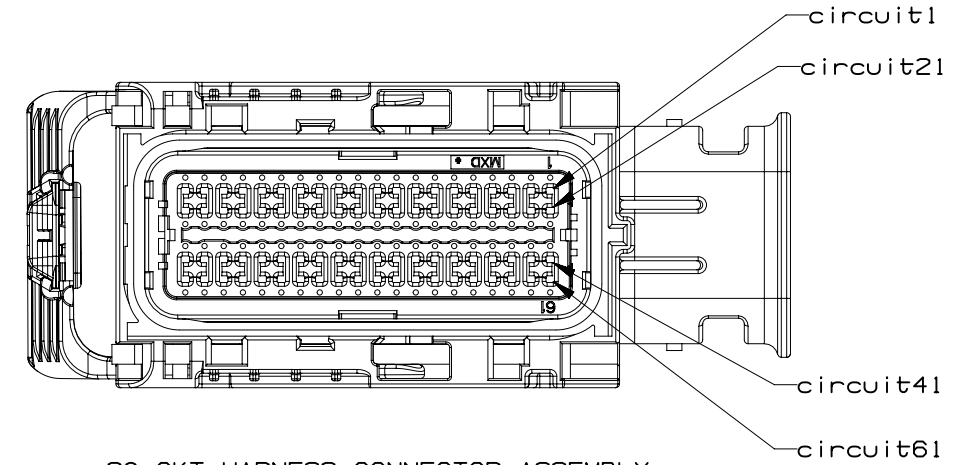
DWG STATUS		
ST	REV	PD1
R	001	

PAGE NUMBER  
12 OF 22



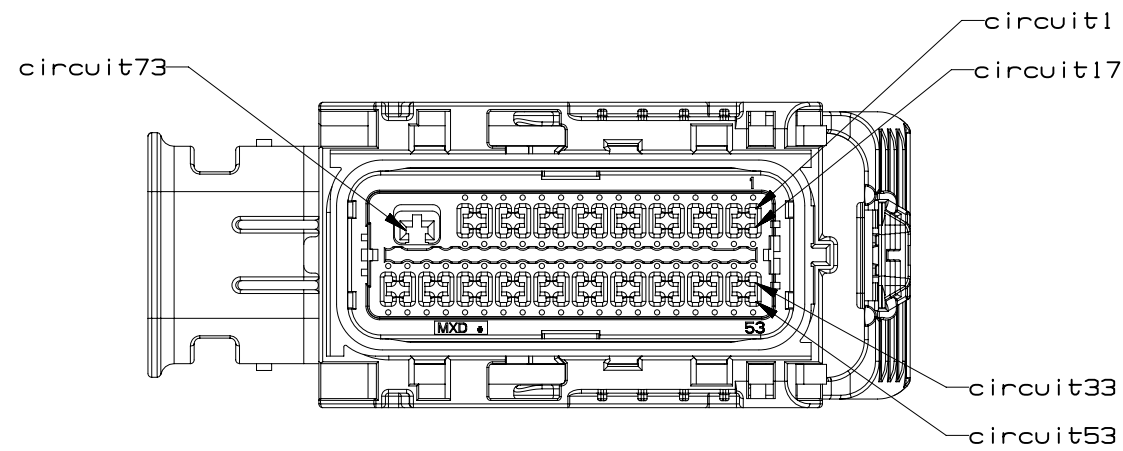


73 CKT HARNESS CONNECTOR ASSEMBLY  
WIRE DRESS OPTION 0

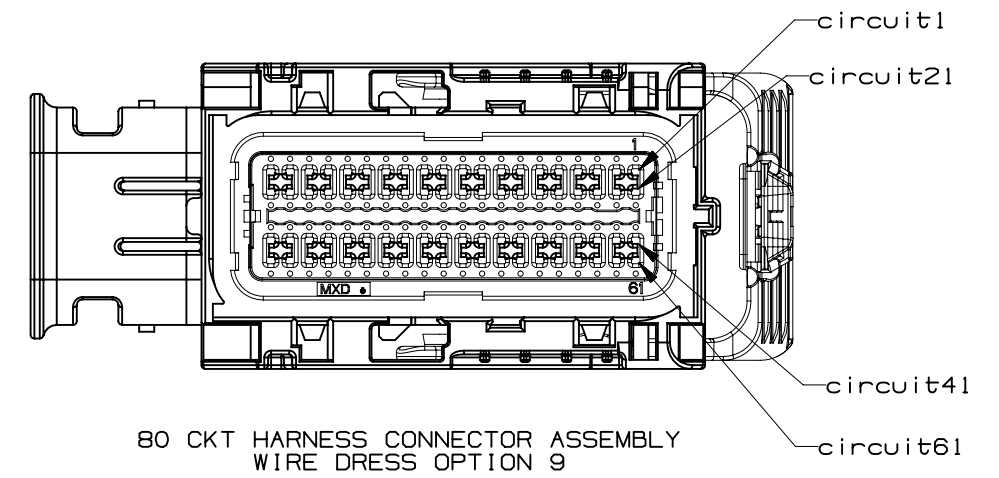


80 CKT HARNESS CONNECTOR ASSEMBLY  
WIRE DRESS OPTION 0

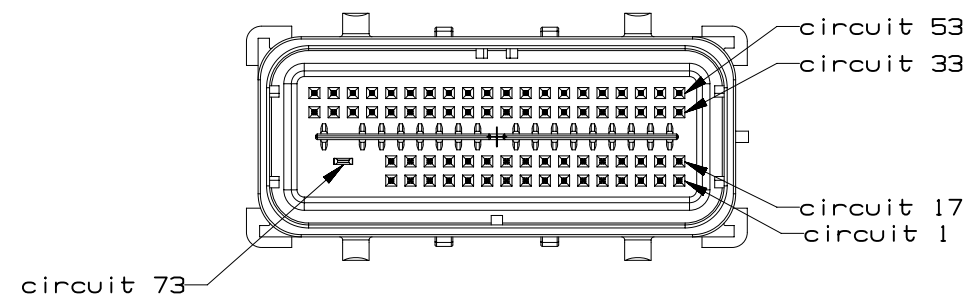
INTERFACE SIDE SHOWN ON ALL VIEWS



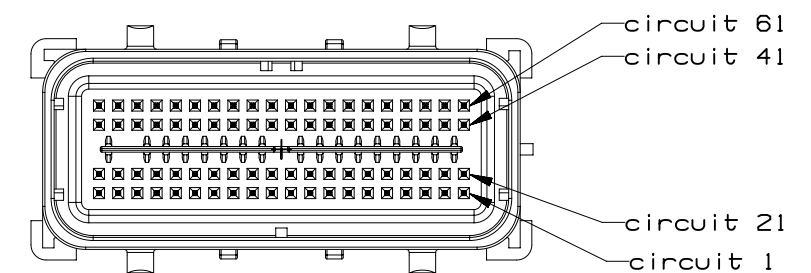
73 CKT HARNESS CONNECTOR ASSEMBLY  
WIRE DRESS OPTION 9



80 CKT HARNESS CONNECTOR ASSEMBLY  
WIRE DRESS OPTION 9

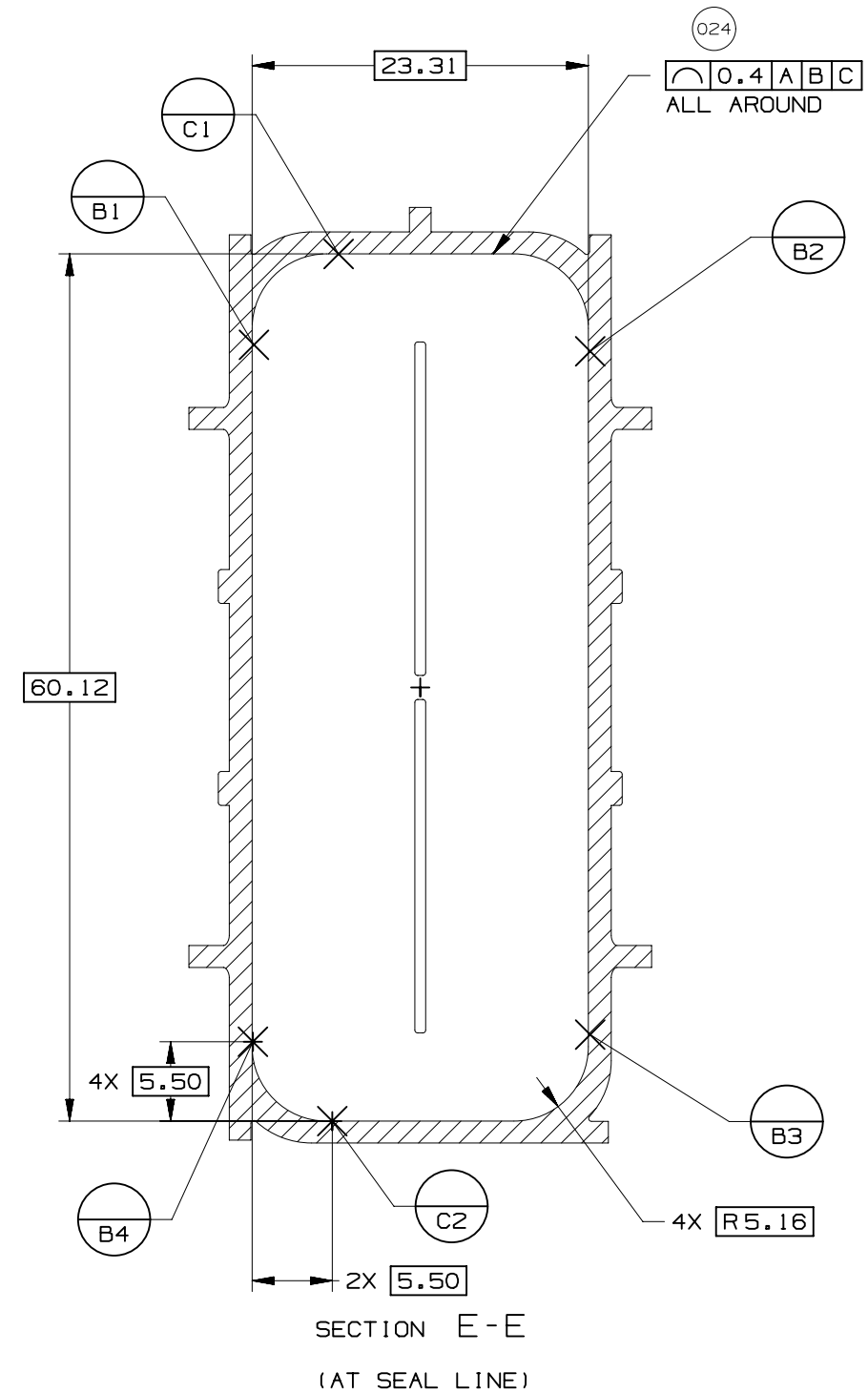
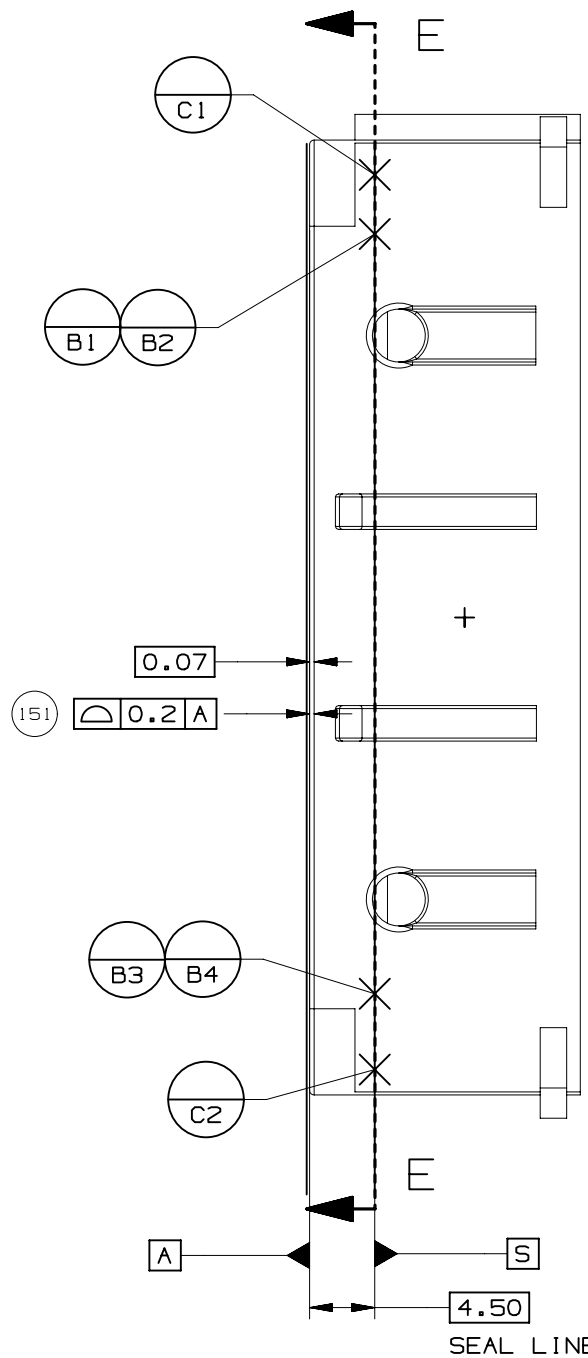
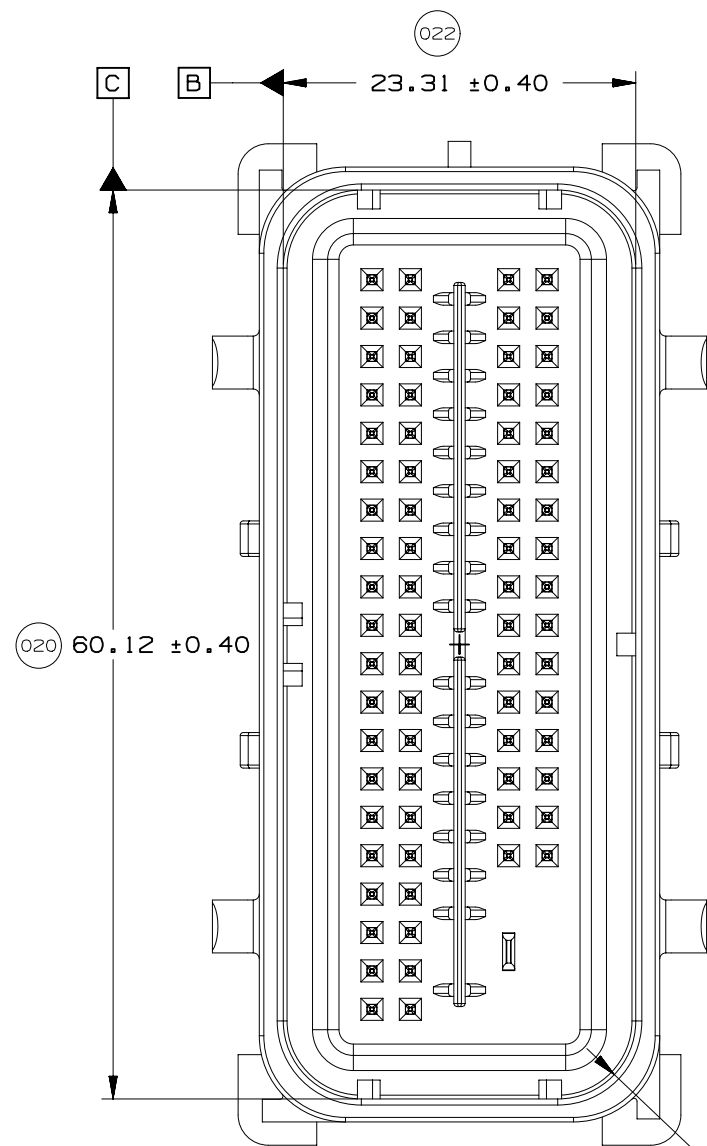
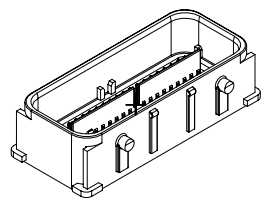


73 CKT COMPONENT CONNECTOR INTERFACE



80 CKT COMPONENT CONNECTOR INTERFACE





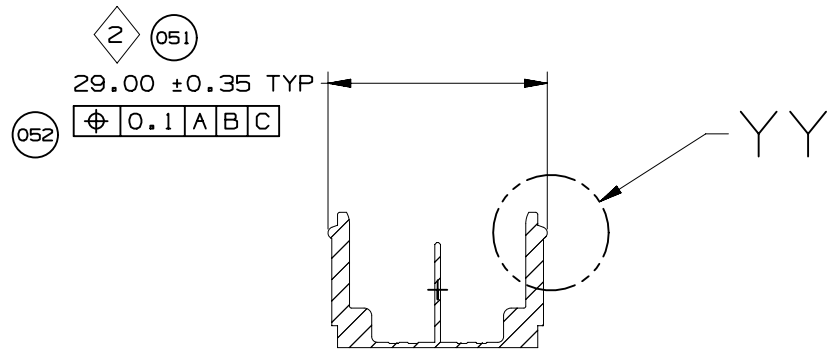
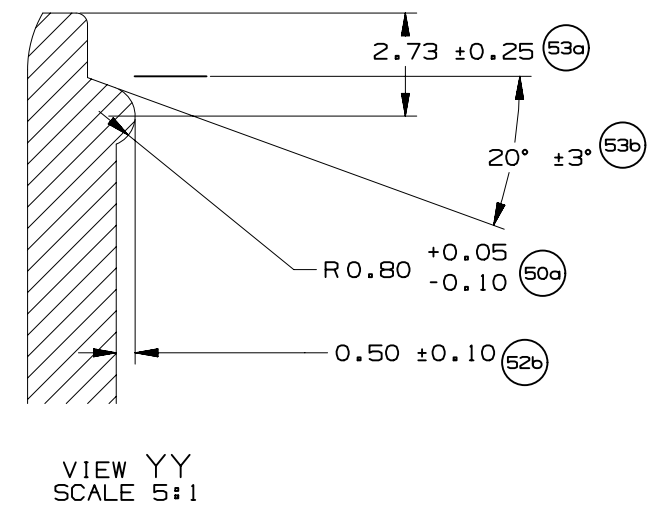
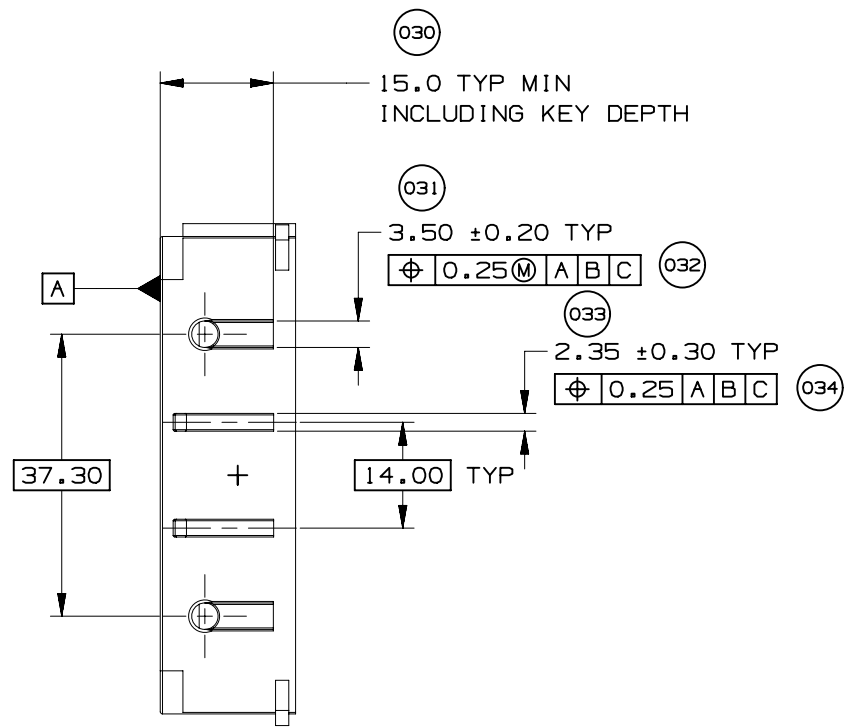
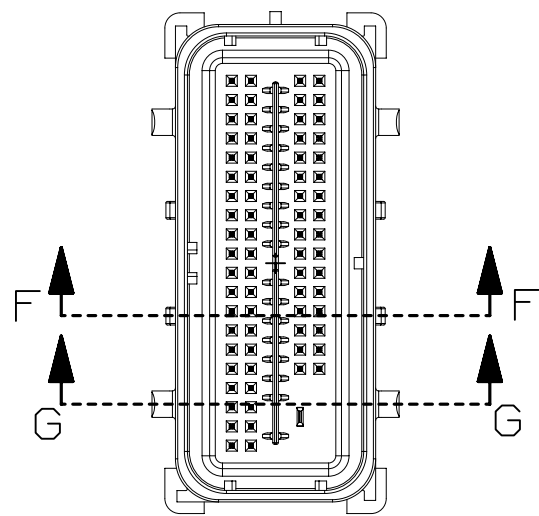
UNLESS SPECIFIED, TOLERANCE OF THE COMPONENT CONNECTOR INTERFACE TO BE  $\nabla 0.13 \text{ A B C}$



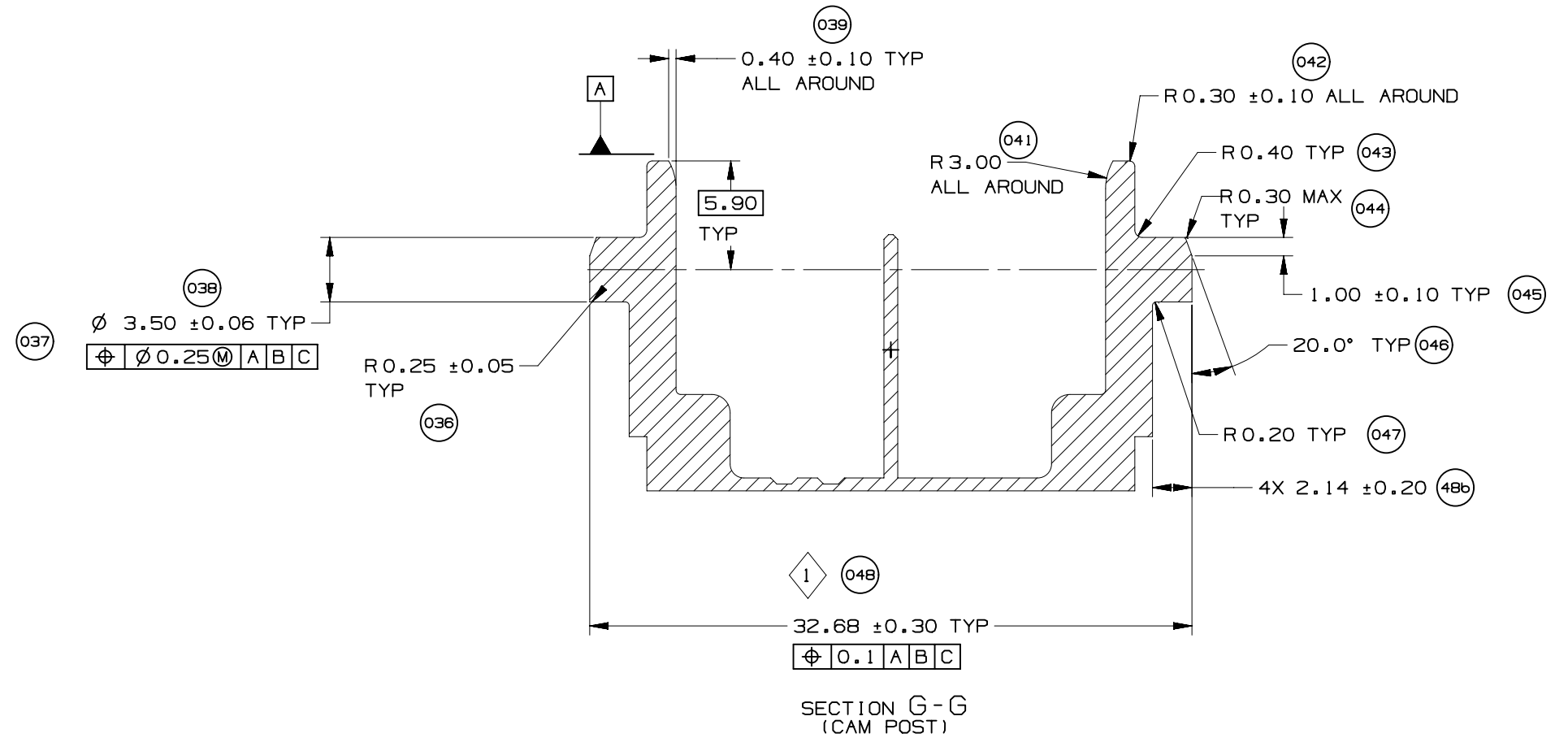
PAGE TITLE  
COMPONENT CONNECTOR INTERFACE

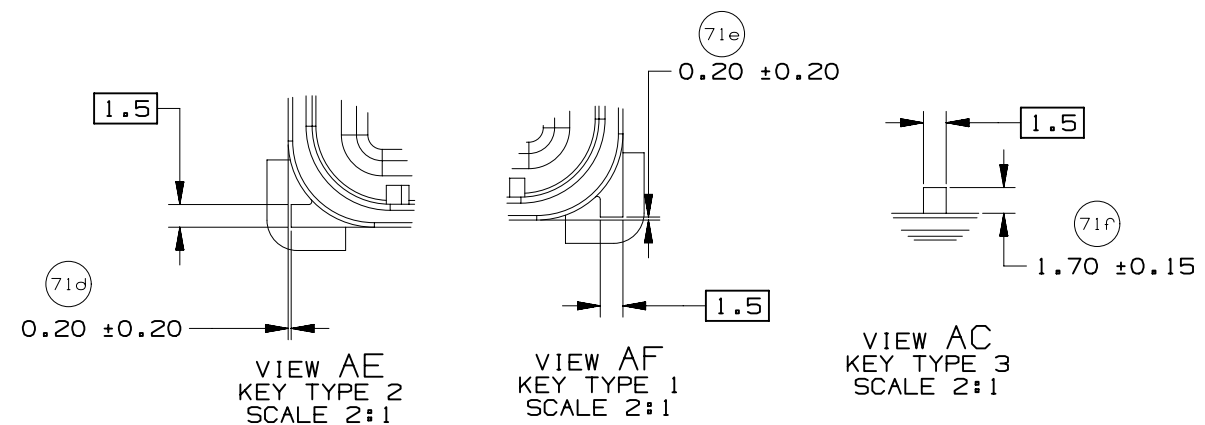
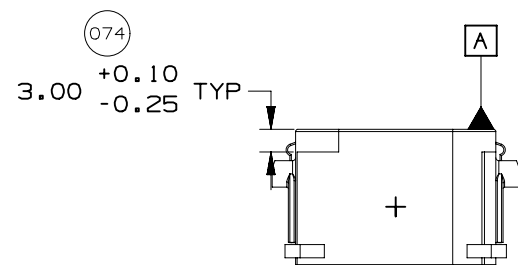
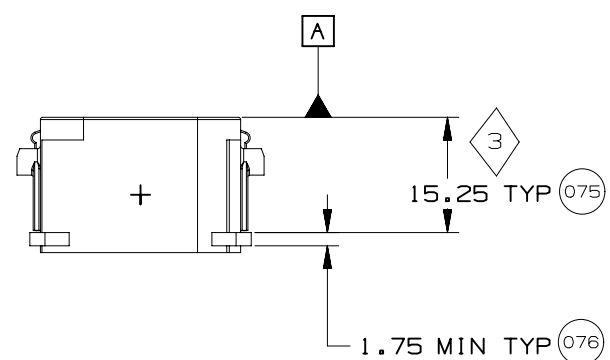
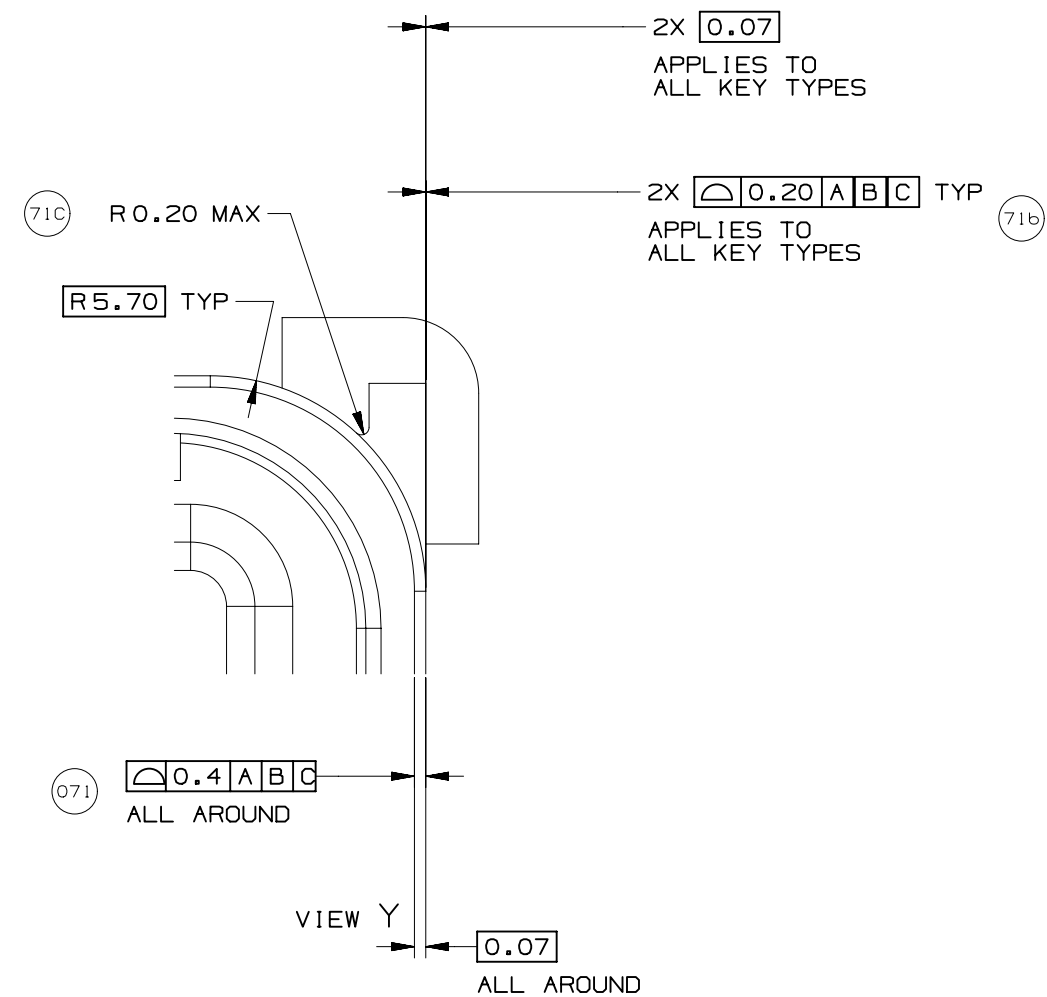
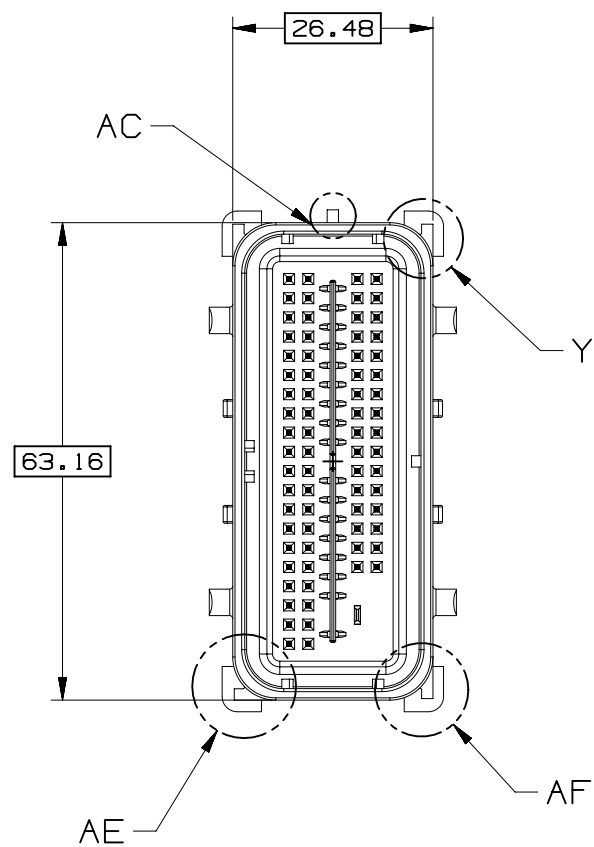
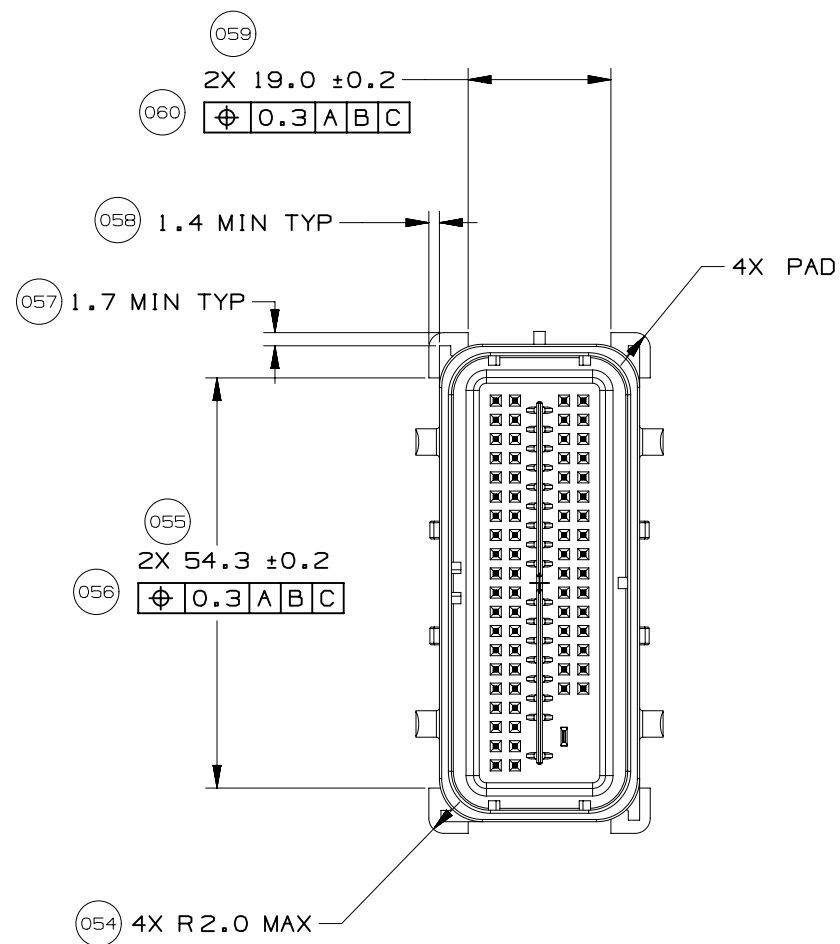
DRAWING NUMBER  
12672833

DWG STATUS			PAGE NUMBER
ST	REV	PD1	
R	001		15 OF 22



SECTION F-F  
(RELEASE FEATURE)

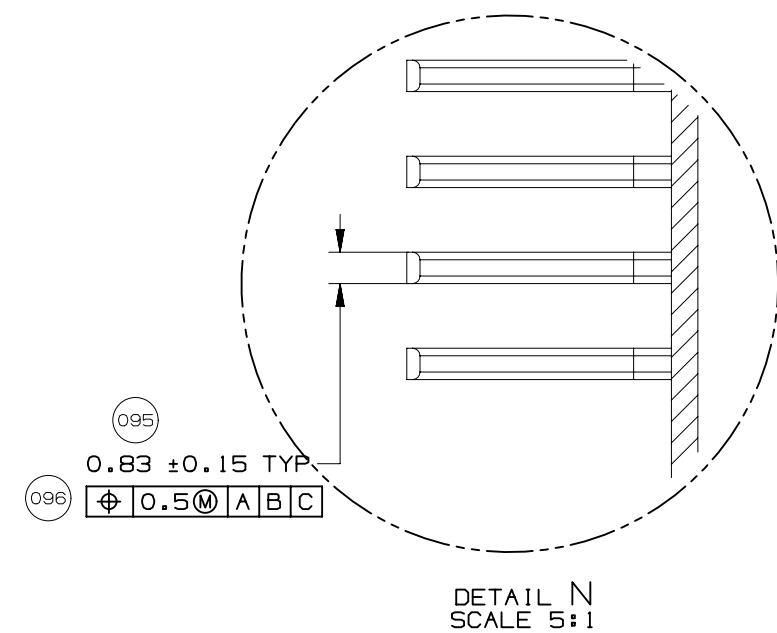
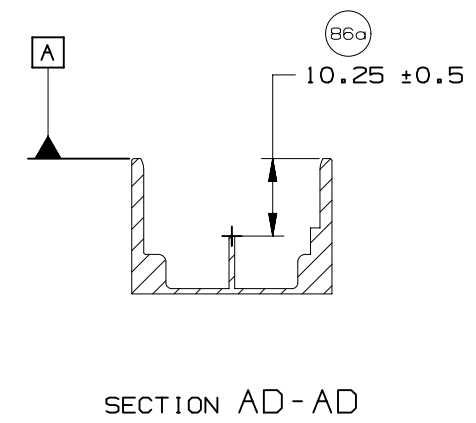
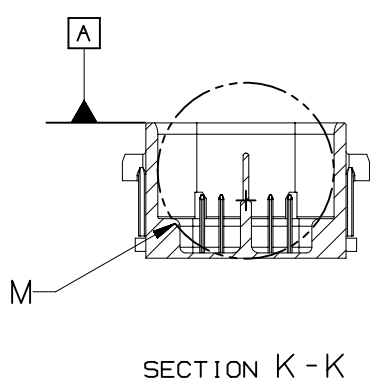
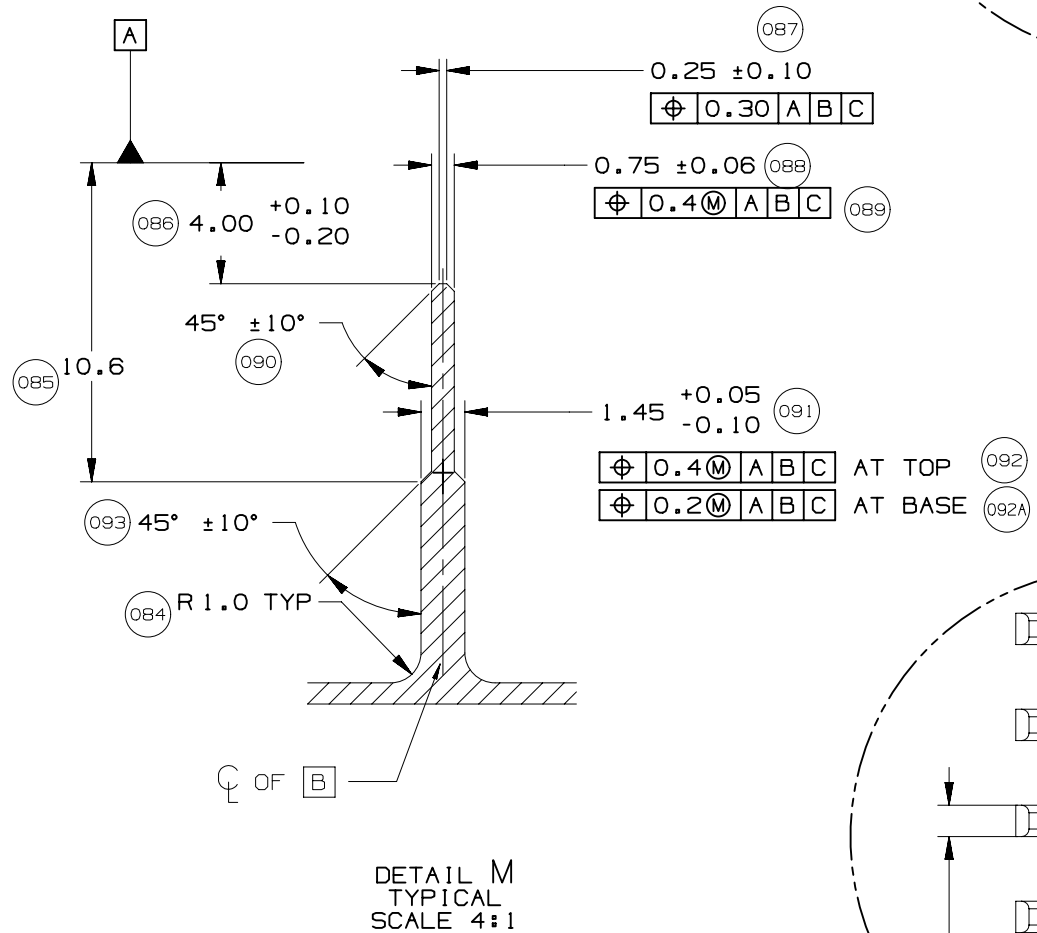
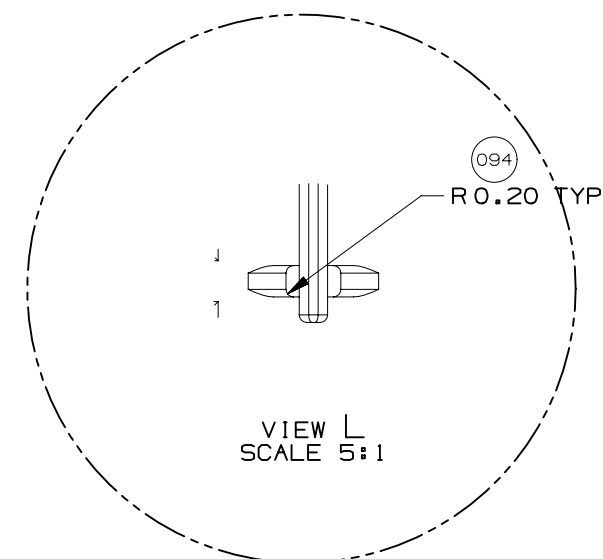
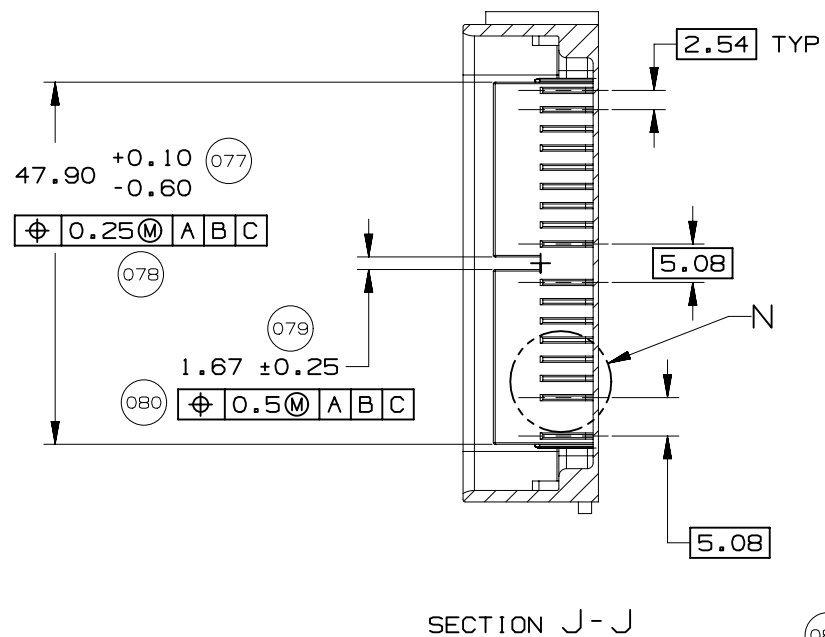
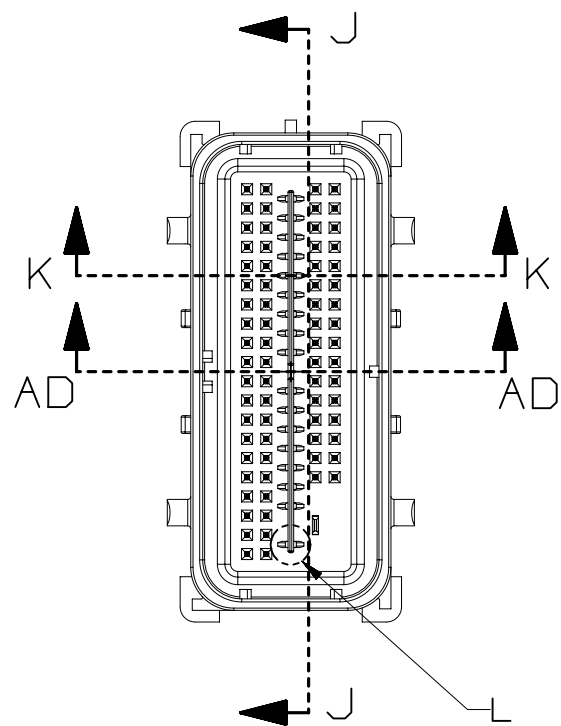




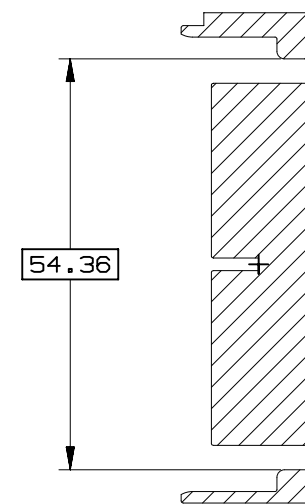
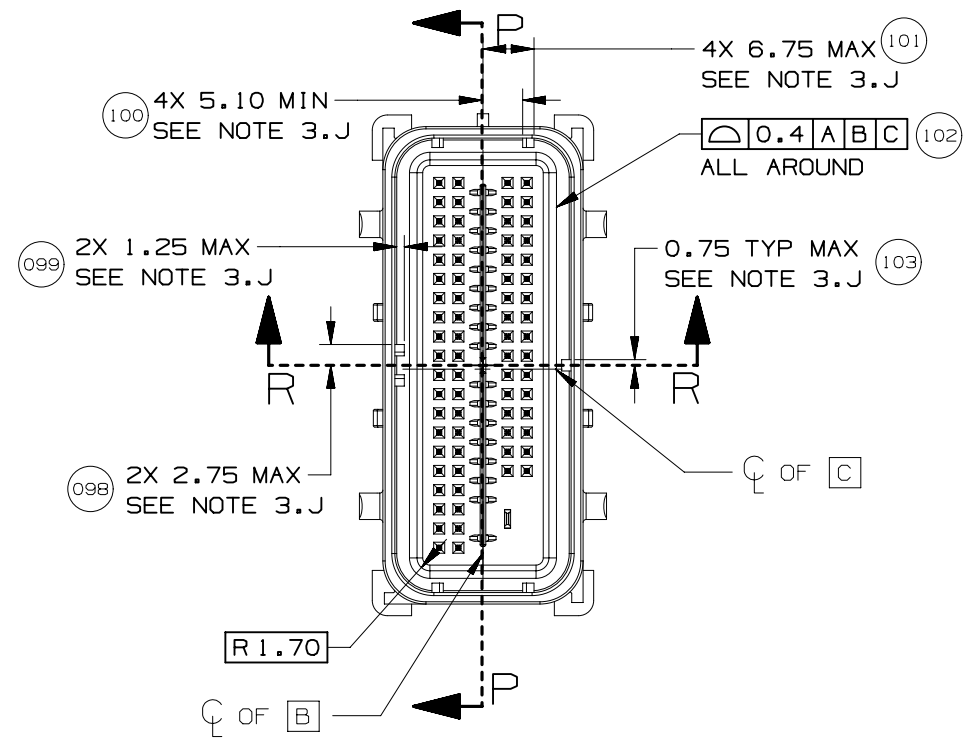
PAGE TITLE  
 COMPONENT CONNECTOR INTERFACE

DRAWING NUMBER  
 12672833

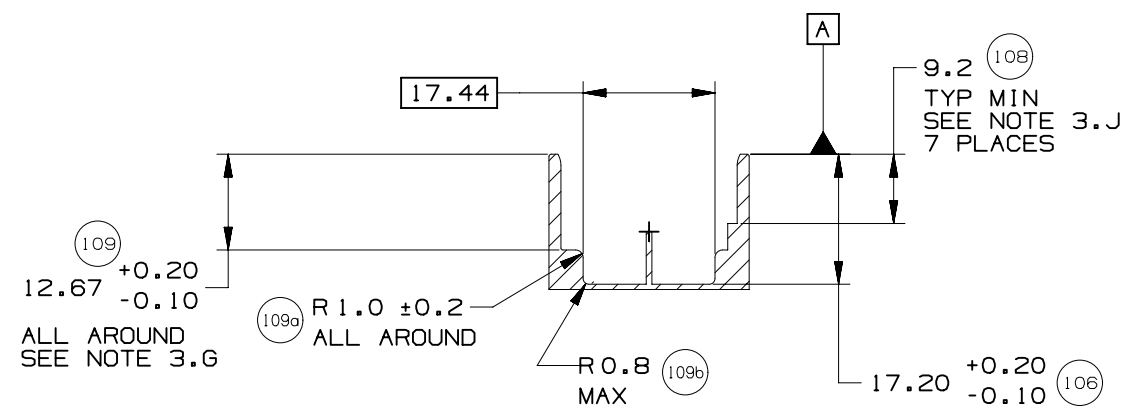
DWG STATUS			PAGE NUMBER	
ST	REV	PD1	17	OF 22
R	001			







SECTION P-P



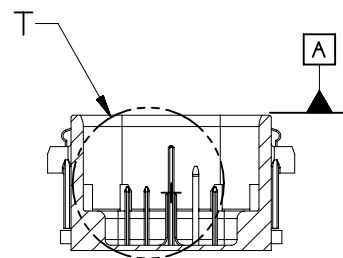
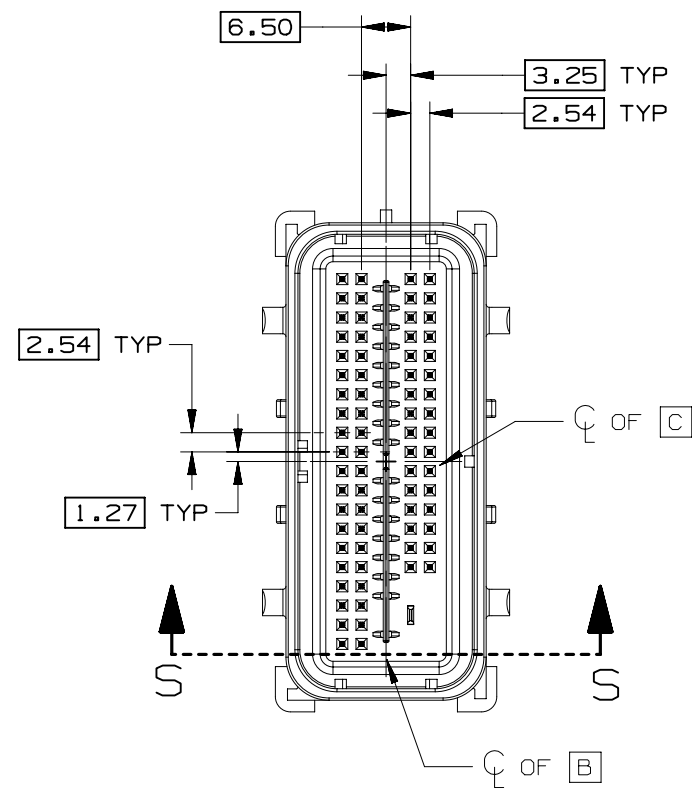
SECTION R-R



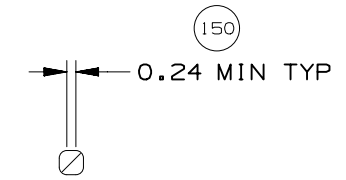
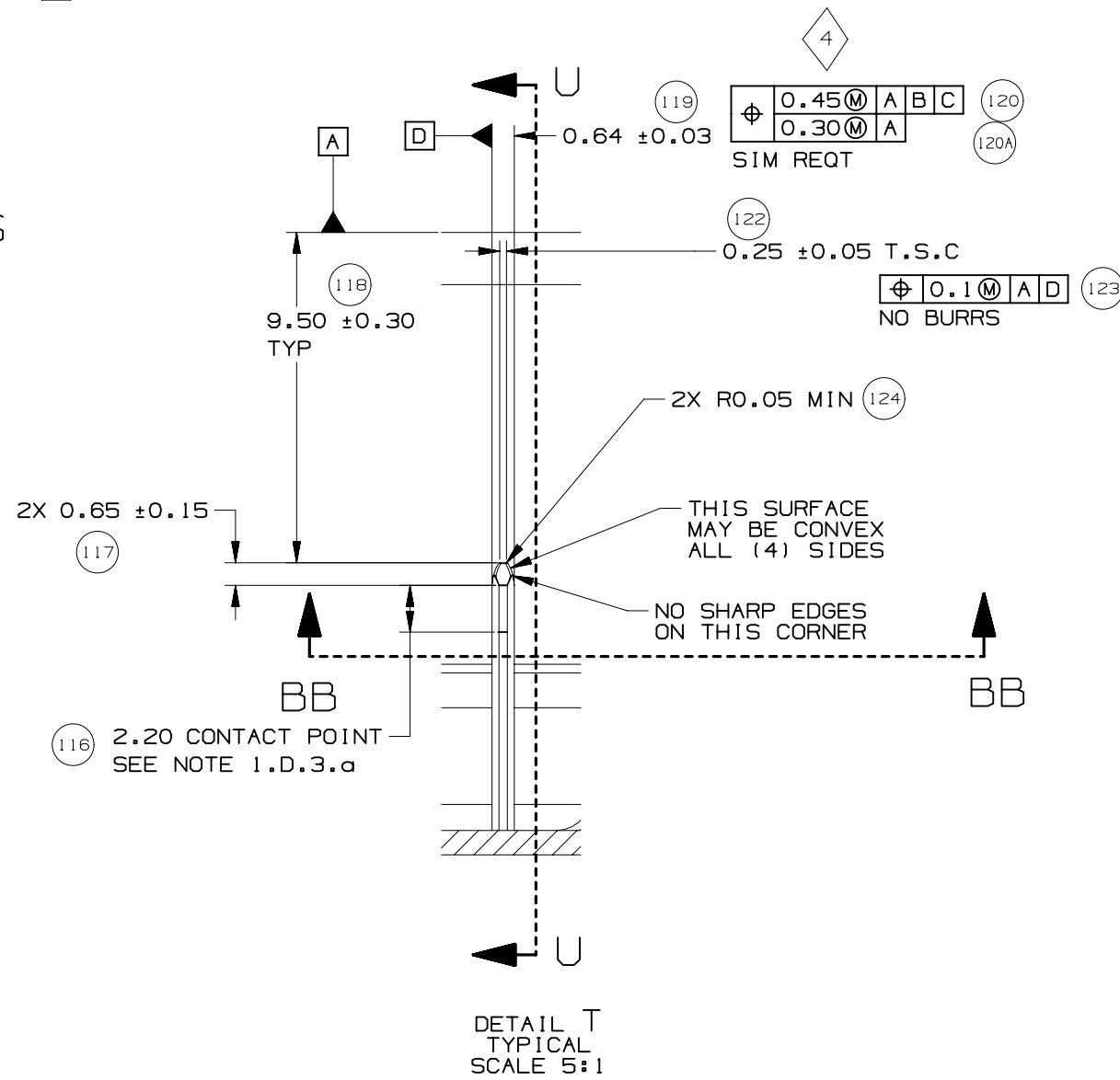
PAGE TITLE  
COMPONENT CONNECTOR INTERFACE

DRAWING NUMBER  
12672833

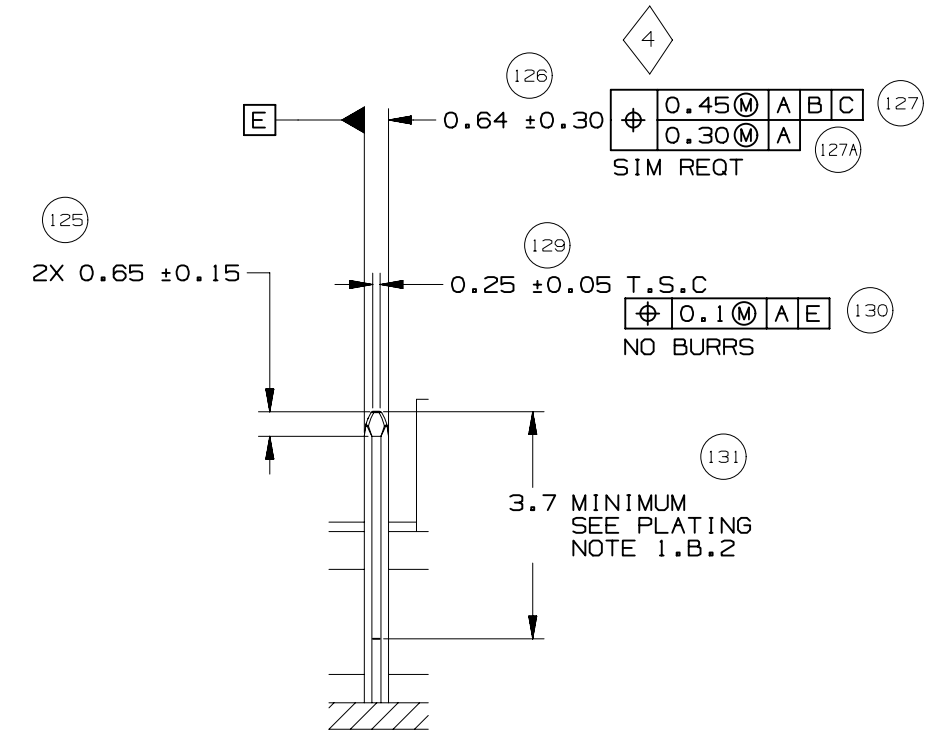
DWG STATUS			PAGE NUMBER	
ST	REV	PD1	19	OF 22
R	001			



SECTION S-S

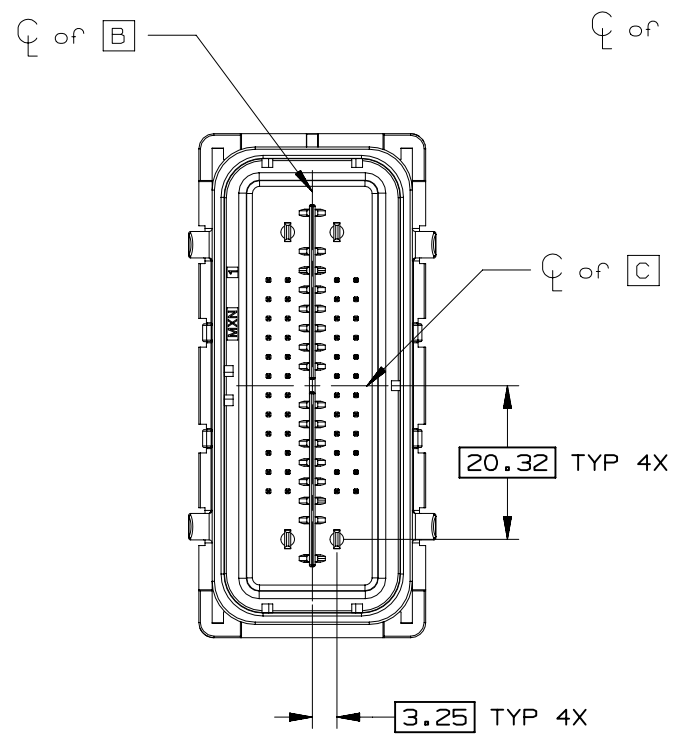


SECTION BB-BB

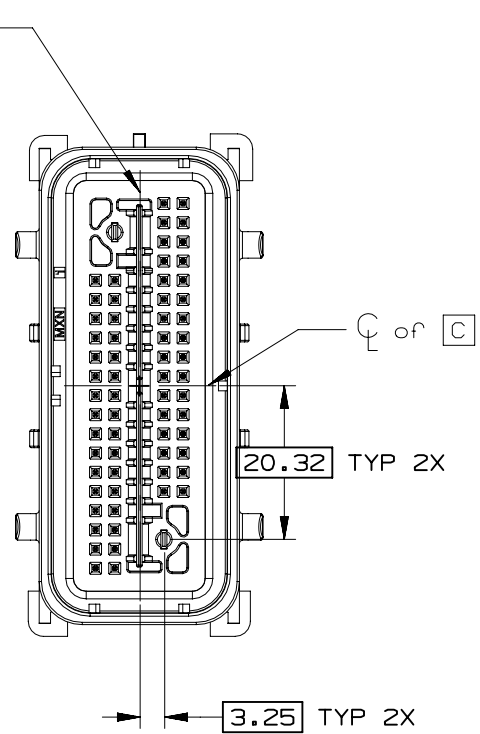


SECTION U-U  
TYPICAL

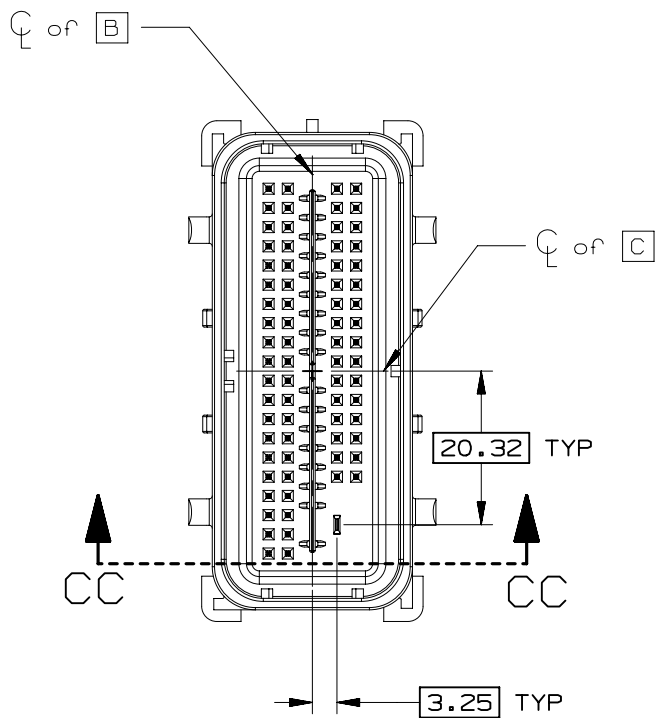




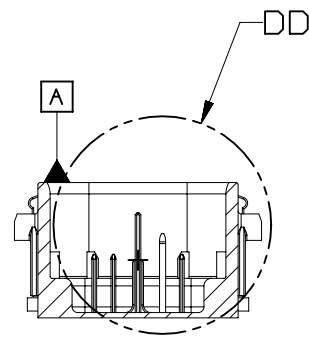
52 CKT COMPONENT  
CONNECTOR INTERFACE



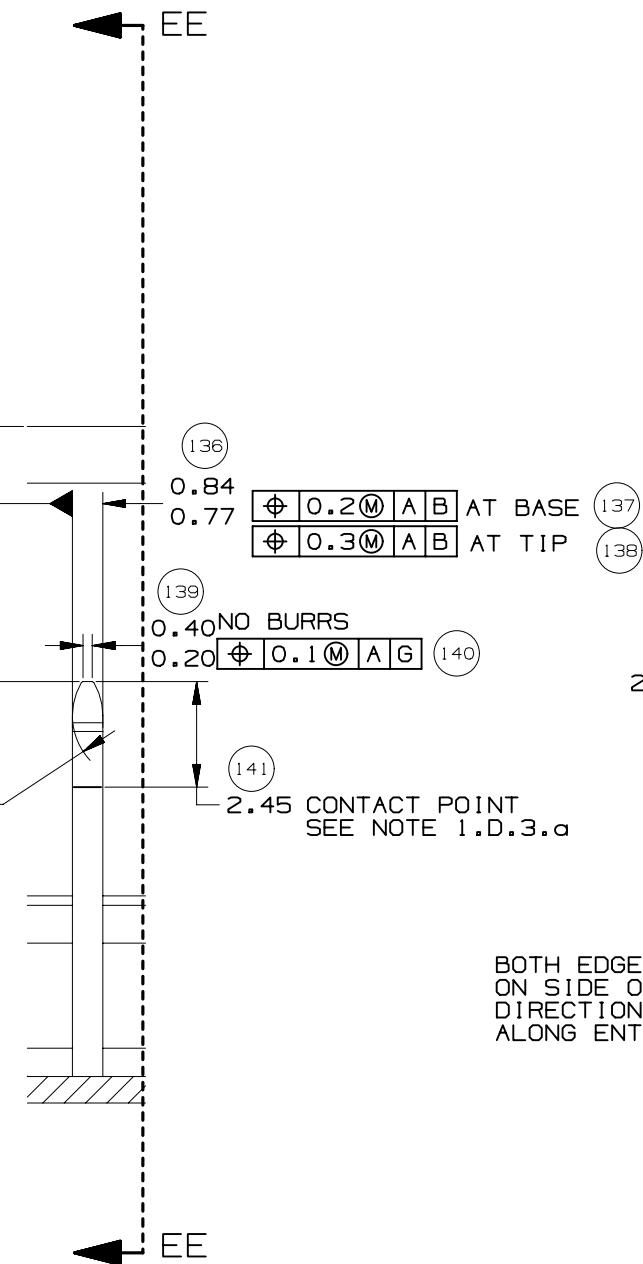
66 CKT COMPONENT  
CONNECTOR INTERFACE



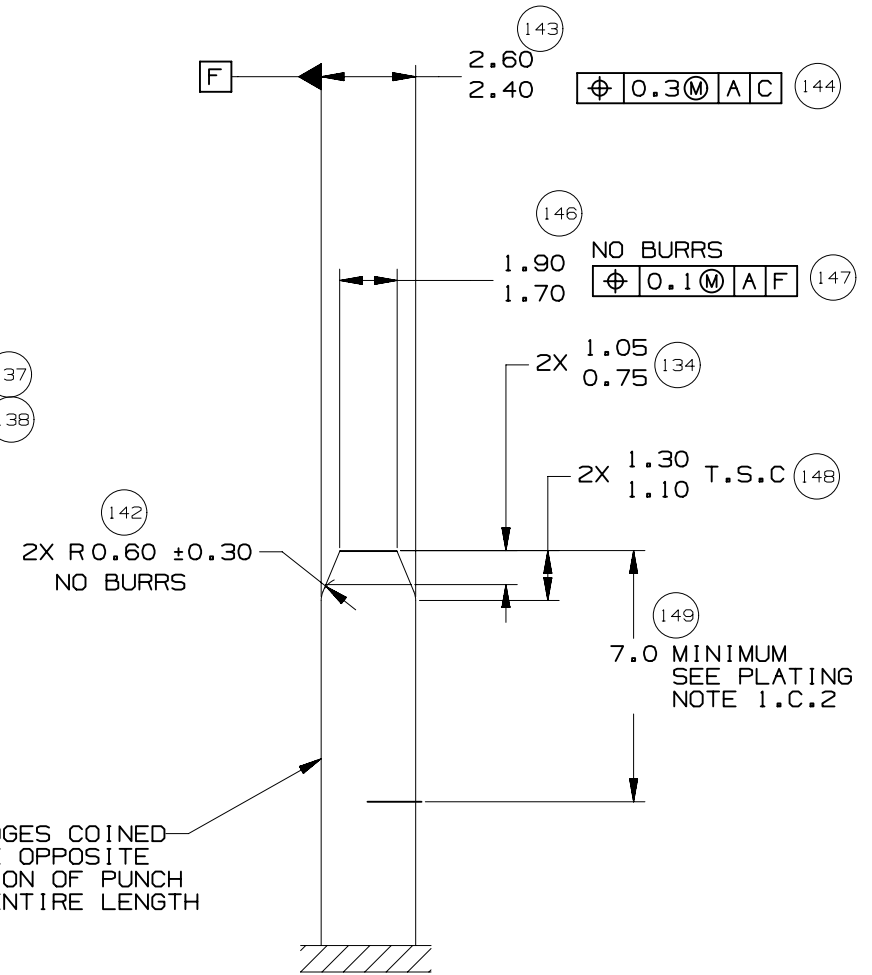
73 CKT COMPONENT  
CONNECTOR INTERFACE



SECTION CC-CC



DETAIL DD  
TYPICAL  
SCALE 5:1



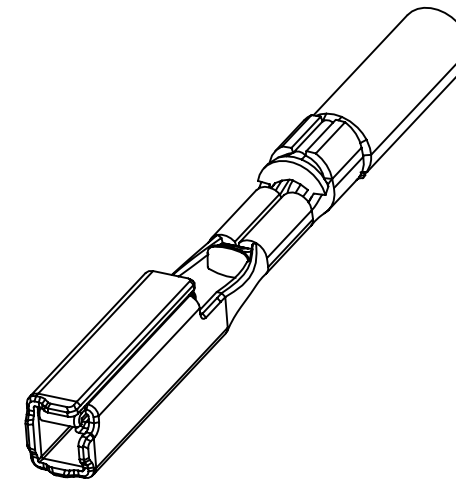
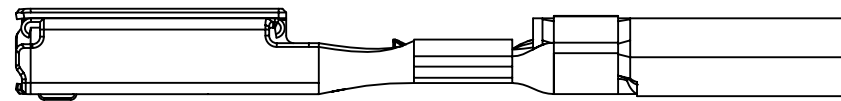
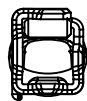
SECTION EE-EE  
TYPICAL

BOTH EDGES COINED  
ON SIDE OPPOSITE  
DIRECTION OF PUNCH  
ALONG ENTIRE LENGTH



MOLEX MX64 RECEPTACLE TERMINAL INFORMATION

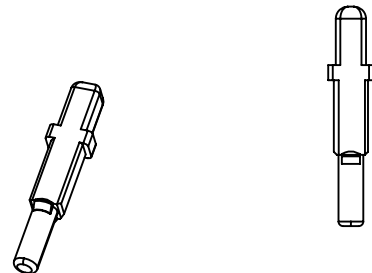
ITEM	MOLEX P/N	GM P/N	WIRE SIZE MM2	TYPE	PLATING	REEL WIND DIRECTION	COMMENTS
1	34736-0025		0.35	ISO	SILVER	LEFT	
2	34736-0026	12672850	0.35	ISO	SILVER	RIGHT	
3	34736-0027		0.5 / 0.75	ISO	SILVER	LEFT	
4	34736-0028	12672851	0.5 / 0.75	ISO	SILVER	RIGHT	



CAVITY PLUGS

ITEM	MFG	MFG P/N	GM P/N RD	SIZE	COLOR	MFG DRAWING	PROD SPEC	APP SPEC	COMMENTS
1	MOLEX	34586-0001	12674820	0.64	NATURAL	SD-34586-001	PS-34566-0000	AS-34566-001	
2	YAZAKI	7158-3114-90	12674821	2.8	BLUE	7158-3114-90	YPES-11-04-062	YPES-15-299	

ITEM 1



ITEM 2



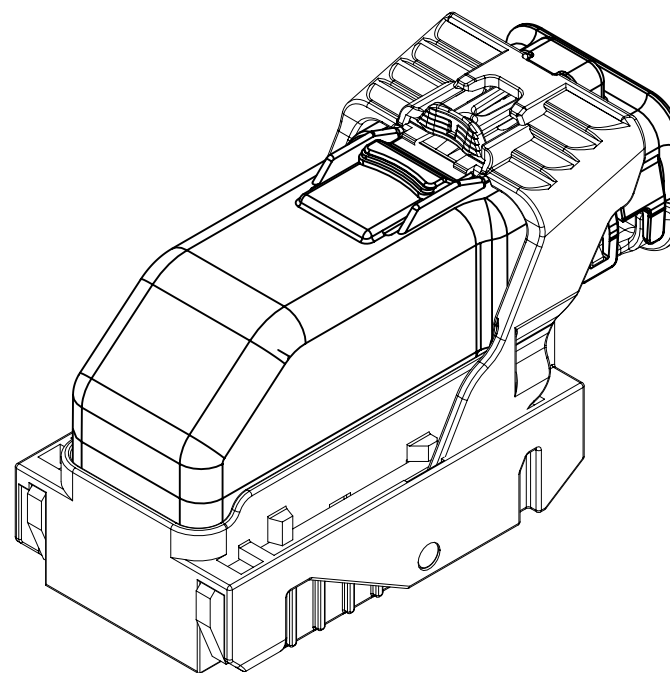
PAGE TITLE  
ADDITIONAL COMPONENTS REQUIRED

DRAWING NUMBER  
12672833


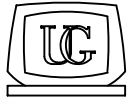
DWG STATUS		
ST	REV	PD1
R	001	

PAGE NUMBER  
22 OF 22

INDEX	
PAGE TITLE	PAGE
TITLE BLOCK	1
REVISION BLOCK	2
PART BLOCK	3
KPC BLOCK	4
COMPONENT TABLE	5
NOTES	6
NOTES	7
WIRE DRESS PACKAGING DIMENSIONS	8
LOCATION AND PACKAGING DIMENSIONS REFERENCING INTERFACE DATUMS B & C	9
LOCATION AND PACKAGING DIMENSIONS REFERENCING INTERFACE DATUM A	10
KEY ID REF - WIRE DRESS OPTION 0	11
KEY ID REF - WIRE DRESS OPTION 9	12
CIRCUIT CONFIGURATIONS	13
CIRCUIT CONFIGURATIONS	14
COMPONENT CONNECTOR INTERFACE	15
COMPONENT CONNECTOR INTERFACE	16
COMPONENT CONNECTOR INTERFACE	17
COMPONENT CONNECTOR INTERFACE	18
COMPONENT CONNECTOR INTERFACE	19
COMPONENT CONNECTOR INTERFACE	20
COMPONENT CONNECTOR INTERFACE	21
ADDITIONAL COMPONENTS REQUIRED	22




ISO VIEW

	<p><b>UNLESS OTHERWISE SPECIFIED:</b> THIS DOCUMENT IS IN ACCORDANCE WITH ASME Y14.5M-1994 AS AMMENDED BY THE GM GLOBAL DIMENSIONING AND TOLERANCING ADDENDUM-1997. ALL GEOMETRIC TOLERANCES AND RELATED DATUMS APPLY RFS. RULE #1 (PERFECT FORM AT MMC) DOES NOT APPLY WHEN A RELATIONSHIP BETWEEN FEATURES IS ESTABLISHED BY ORIENTATION OR LOCATION TOLERANCES. SEPARATE POSITION CALLOUTS MAY BE GAGED SEPARATELY REGARDLESS OF DATUM REFERENCES.</p>			DATE
	 CHANGE RESTRICTED NO MANUAL CHANGES	REFERENCE 12H (MOLEX AUTOMOTIVE)	DRAFTER APVD1	05JN15
DO NOT SCALE		APVD2		
METRIC DIMENSIONS SHOWN IN MILLIMETERS UNLESS OTHERWISE SPECIFIED		APVD3		
	DRAWING NAME	APVD4		
	HARNESS CONN ASM-SEALED 52/66/73/80 CKTS, MX123	APVD5		
	DRAWING NUMBER	DWG STATUS		
	12672833	ST	REV	
		R	001	
		PAGE NUMBER		
		1	OF 22	

PAGE	DWG STATUS					REVISION HISTORY	AUTH	DR	CK	ENG
	DATE	ST	REV	CHG	PDI					
	05JN15	R	001			RELEASED TO PRODUCTION AT DLS A	CRMRJE	DFK		

PAGE	DWG STATUS					REVISION HISTORY	AUTH	DR	CK	ENG
	DATE	ST	REV	CHG	PDI					

	PAGE TITLE	DRAWING NUMBER	DWG STATUS			PAGE NUMBER		
	REVISION BLOCK			12672833	ST		REV	PDI
				R	001			2 OF 22



KEY PRODUCT CHARACTERISTICS  
(IN ACCORDANCE WITH QN 1805 OR ON 1050)



SAFETY/COMPLIANCE

TOTAL ON  
DRAWING

4



FIT/FUNCTION

LAST NO.  
USED

4

NO	TYPE	DESCRIPTION	RATIONALE	PAGE/ZONE
1	F/F	32.68	IMPROVE CONNECTOR SYSTEM MATING	16
2	F/F	29.00	INSURE PROPER RELEASE OF LEVER	16
3	F/F	15.25	INSURE FINAL MATE POSITION	17
4	F/F	POSITIONAL TOLERANCE (2 PLACES)	INSURE CONNECTOR SYSTEM MATEABILITY	20



PAGE TITLE  
KPC BLOCK

DRAWING NUMBER

12672833

DWG STATUS

ST	REV	PDI
----	-----	-----

R	001	
---	-----	--

PAGE NUMBER

4 OF 22



LINE	MFG.	MFG. P/N	GM P/N	EFFECTIVE DATE	APPLICABLE COMPONENTS	KEY OPTION	WIRE DRESS OPTION	KEY CONFIG.	COLOR	STATUS
					DESCRIPTION					
-										
1	MOLEX	34565-0003	12582676	02JN03	MX123 DRESS COVER 52/66/73/80 CKT	N/A	N/A	N/A	BLACK	AVAILABLE
2	MOLEX	160094-0001	12672852	01SP13	MX123 HRNS CONN ASSY 52 CKT	A	0	1458	BLACK	AVAILABLE
3	MOLEX	160094-0003	12672854	01SP13	MX123 HRNS CONN ASSY 52 CKT	C	0	2467	BLUE	AVAILABLE
4	MOLEX	160094-0013	12672853	01SP13	MX123 HRNS CONN ASSY 52 CKT	A	9	1458	BLACK	AVAILABLE
5	MOLEX	160094-0015	12672855	01SP13	MX123 HRNS CONN ASSY 52 CKT	C	9	2467	BLUE	AVAILABLE
6	MOLEX	34822-0013	12672856	01SP13	MX123 HRNS CONN ASSY 66 CKT	A	0	1458	BLACK	AVAILABLE
7	MOLEX	34822-0033	12672858	01SP13	MX123 HRNS CONN ASSY 66 CKT	C	0	2467	BLUE	AVAILABLE
8	MOLEX	34822-0023	12672857	01SP13	MX123 HRNS CONN ASSY 66 CKT	A	9	1458	BLACK	AVAILABLE
9	MOLEX	34822-0043	12672859	01SP13	MX123 HRNS CONN ASSY 66 CKT	C	9	2467	BLUE	AVAILABLE
10	MOLEX	34566-0103	12672860	11JN04	MX123 HRNS CONN ASSY 73 CKT	A	0	1458	BLACK	AVAILABLE
11	MOLEX	34566-0203	12672862	11JN04	MX123 HRNS CONN ASSY 73 CKT	B	0	1468	ST GRAY	AVAILABLE
12	MOLEX	34566-0303	12672864	09AP08	MX123 HRNS CONN ASSY 73 CKT	C	0	2467	BLUE	AVAILABLE
13	MOLEX	34566-0603	12672866	05DC14	MX123 HRNS CONN ASSY 73 CKT	F	0	1357	NATURAL	AVAILABLE
14	MOLEX	34566-1303	12672861	11JN04	MX123 HRNS CONN ASSY 73 CKT	A	9	1458	BLACK	AVAILABLE
15	MOLEX	34566-1403	12672863	11JN04	MX123 HRNS CONN ASSY 73 CKT	B	9	1468	ST GRAY	AVAILABLE
16	MOLEX	34566-1503	12672865	09AP08	MX123 HRNS CONN ASSY 73 CKT	C	9	2467	BLUE	AVAILABLE
17	MOLEX	34566-1803	12672867	05DC14	MX123 HRNS CONN ASSY 73 CKT	F	9	1357	NATURAL	AVAILABLE
18	MOLEX	34566-0703	12672872	09AP08	MX123 HRNS CONN ASSY 80 CKT	G	0	1358	BLUE	AVAILABLE
19	MOLEX	34566-0803	12672870	11JN04	MX123 HRNS CONN ASSY 80 CKT	H	0	2458	ST GRAY	AVAILABLE
20	MOLEX	34566-0903	12672868	T.B.D	MX123 HRNS CONN ASSY 80 CKT	J	0	2457	BLACK	NOT ACTIVE
21	MOLEX	34566-1903	12672873	09AP08	MX123 HRNS CONN ASSY 80 CKT	G	9	1358	BLUE	AVAILABLE
22	MOLEX	34566-2003	12672871	11JN04	MX123 HRNS CONN ASSY 80 CKT	H	9	2458	ST GRAY	AVAILABLE
23	MOLEX	34566-2103	12672869	T.B.D	MX123 HRNS CONN ASSY 80 CKT	J	9	2457	BLACK	NOT ACTIVE
24	MOLEX	34736-0028	12672851	01AU10	MX64 RCPT TERM Ag 0.5mm/0.75mm ISO GAGE B (RIGHT PAYOFF)	N/A	N/A	N/A	N/A	AVAILABLE
25	MOLEX	34736-0026	12672850	01AU10	MX64 RCPT TERM Ag 0.35mm ISO GAGE B (RIGHT PAYOFF)	N/A	N/A	N/A	N/A	AVAILABLE
26	MOLEX	34586-0001	12674820	11JN04	MX123 0.64mm GROMMET PLUG	N/A	N/A	N/A	NATURAL	AVAILABLE
27	YAZAKI	7116-4150-02	12588066	02JN03	2.8mm YESC SEALED FEMALE TERMINAL TIN 0.35mm2-0.50mm2	N/A	N/A	N/A	N/A	NOT ACTIVE
28	YAZAKI	7116-4151-02	12588067	02JN03	2.8mm YESC SEALED FEMALE TERMINAL TIN 0.75mm2-1.0mm2	N/A	N/A	N/A	N/A	NOT ACTIVE
29	YAZAKI	7116-4152-02	12582685	02JN03	2.8mm YESC SEALED FEMALE TERMINAL TIN 1.5mm2-2.5mm2	N/A	N/A	N/A	N/A	AVAILABLE
30	YAZAKI	7158-3111-60	12588068	02JN03	2.8mm CABLE SEAL (wire O.D. range 1.2mm-1.9mm)	N/A	N/A	N/A	GREEN	NOT ACTIVE
31	YAZAKI	7158-3112-70	12588069	02JN03	2.8mm CABLE SEAL (wire O.D. range 1.8mm-2.3mm)	N/A	N/A	N/A	YELLOW	NOT ACTIVE
32	YAZAKI	7158-3113-40	12582686	02JN03	2.8mm CABLE SEAL (wire O.D. range 2.1mm-3.0mm)	N/A	N/A	N/A	WHITE	AVAILABLE
33	YAZAKI	7158-3114-90	12674821	02JN03	2.8mm YESC CAVITY PLUG	N/A	N/A	N/A	BLUE	AVAILABLE
34	MOLEX	63825-8400	N/A	02JN03	MX64 TERM HAND CRIMP TOOL	N/A	N/A	N/A	N/A	AVAILABLE
35	MOLEX	63813-1400	XX019826	02JN03	MX64 TERM SERVICE TOOL	N/A	N/A	N/A	N/A	AVAILABLE
36	MOLEX	63902-5300	N/A	02JN03	MX64 CRIMP APPLICATOR with TOOL KIT 0.5/0.75mm2 PAYOFF DIRECTION D (left payoff) (contact Molex for payoff detail)	N/A	N/A	N/A	N/A	AVAILABLE
37	MOLEX	63902-5370	N/A	02JN03	MX64 APPLICATOR TOOL KIT 0.5/0.75mm2	N/A	N/A	N/A	N/A	AVAILABLE
38	MOLEX	63902-5100	N/A	02JN03	MX64 CRIMP APPLICATOR with TOOL KIT 0.35mm2 PAYOFF DIRECTION D (left payoff) (contact Molex for payoff detail)	N/A	N/A	N/A	N/A	AVAILABLE
39	MOLEX	63902-5170	N/A	02JN03	MX64 APPLICATOR TOOL KIT 0.35mm2	N/A	N/A	N/A	N/A	AVAILABLE
40	SPX	J35616-64	T.B.D.	02JN03	0.64mm PROBE TOOL (for rcpt)	N/A	N/A	N/A	N/A	AVAILABLE
41	SPX	J35616-64A	T.B.D.	02JN03	0.64mm PROBE TOOL WITH EXT (for rcpt)	N/A	N/A	N/A	N/A	AVAILABLE
42	SPX	J35616-65	T.B.D.	02JN03	0.64mm PROBE TOOL WITH EXT (for pin)	N/A	N/A	N/A	N/A	AVAILABLE
43	SPX	J35616-4A	T.B.D.	02JN03	2.8mm PROBE TOOL (for rcpt)	N/A	N/A	N/A	N/A	AVAILABLE
44	YAZAKI	X39899-J374	12094430	02JN03	2.8mm TERM SERVICE TOOL	N/A	N/A	N/A	N/A	AVAILABLE
45	TQI	7000-1006	N/A	15JN15	52 CKT PASS THROUGH ADAPTERS	N/A	N/A	N/A	BLACK	AVAILABLE
46	TQI	7000-1002	N/A	15JN15	66 CKT PASS THROUGH ADAPTERS	N/A	N/A	N/A	BLACK	AVAILABLE
47	TQI	79917-0061	N/A	15JN15	73 CKT PASS THROUGH ADAPTERS	N/A	N/A	N/A	BLACK	AVAILABLE
48	TQI	79917-0066	N/A	15JN15	80 CKT PASS THROUGH ADAPTERS	N/A	N/A	N/A	BLACK	AVAILABLE

\* - MX123 DRESS COVER 52/66/73/80 CKT MATES TO ANY MX123 HARN CONN ASSY SHOWN ON TABLE ABOVE



PAGE TITLE  
COMPONENT TABLE

DRAWING NUMBER

12672833

DWG STATUS

ST	REV	PD1
R	001	

PAGE NUMBER

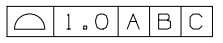
5 OF 22

NOTES: UNLESS OTHERWISE SPECIFIED

1. MATERIAL FOR INTERFACE:


- A. RESIN:
  - 1. 30% G.F. PBT; 20% MAX. (BY WEIGHT) REGRIND.
  - 2. MATING CONNECTOR INTERFACE PART COLOR MUST BE SAME AS MATCHING KEYED HARNESS CONNECTOR ASSEMBLY.
  - 3. MUST BE VALIDATED FOR INDIVIDUAL DEVICE APPLICATION REQUIREMENTS.
- B. 0.64MM PINS:
  - 1. BASE MATERIAL: COPPER ALLOY; CONDUCTIVITY >= 28% IACS AT 20°C; TENSILE STRENGTH >= 635 N/mm<sup>2</sup>; SURFACE ROUGHNESS R<sub>a</sub> 6 MAX.
  - 2. PLATING FINISH: SILVER (Ag). PLATING TO BE 1.9-3.3 μm ELECTRODEPOSITED SEMI-BRIGHT SILVER OVER 1.25-2.25 μm DUCTILE SULPHAMATE NICKEL PER NOTE 1(D).
  - 3. ANTI-TARNISH: SYNTHETIC HYDROCARBON CONTACT SURFACE FINISH OR EQUIVALENT APPLIED WITHOUT VOID TO CONTACT AREA (MIN 3.7mm FROM PIN TIP).
- C. 2.8MM BLADE:
  - 1. BASE MATERIAL: COPPER ALLOY; CONDUCTIVITY >= 28% IACS AT 20°C; TENSILE STRENGTH >= 350 N/mm<sup>2</sup>; SURFACE ROUGHNESS R<sub>a</sub> 6 MAX.
  - 2. PLATING FINISH: TIN. PLATING TO BE 2.5-5.0 μm ELECTRODEPOSITED TIN, MATTE FINISH OVER 1.25-2.5 μm DUCTILE SULPHAMATE NICKEL PER NOTE 1(D).
- D. PLATING REQUIREMENTS:
  - 1. SILVER PLATING
    - a. 99.5% PURE SEMI-BRIGHT WITH NO ORGANIC BRIGHTNERS OR CHROMATES.
  - 2. NICKEL PLATING
    - a. ELECTRODEPOSITED DUCTILE SULFAMATE NICKEL WITH A NON-BRIGHTENED FINISH. NO ORGANIC OR BRIGHTENING AGENTS SHALL BE ALLOWED.
    - b. SHALL ONLY BE USED AS AN UNDERLYING PLATING AND MAY NOT BE USED AS AN ELECTRICAL CONTACT SURFACE PLATING.
    - c. SHALL BE NODULE FREE WHEN VIEWED AT 10X MAGNIFICATION IN MEASURED IN CONTACT SURFACE AREA PLUS 0.5MM PERIMETER AROUND THE CONTACT SURFACE AREA.
    - d. ALL PLATINGS SHALL HAVE A 1.0% MAXIMUM BY WEIGHT IMPURITIES. IMPURITIES ARE DEFINED AS ALL ELEMENTS NOT THE PRIMARY PLATING OR HARDENING AGENT IF APPLICABLE, AS DETERMINED BY WET CHEMICAL ANALYSIS OR AUGER METHOD. NO SINGLE IMPURITY SHALL EXCEED 0.1% MAXIMUM BY WEIGHT.
  - 3. TESTING
    - a. THICKNESS TO BE MEASURED IN CONTACT SURFACE AREA PLUS 0.5MM PERIMETER AROUND THE CONTACT SURFACE AREA AS DESIGNATED IN THE DRAWING. THICKNESS SHALL BE DETERMINED BY METHOD OF X-RAY (XRF).
    - b. PLATING ADHESION SHALL BE TESTED BY A BEND TEST FOR ALL METALS. THE TEST SAMPLE SHALL BE BENT 90 DEGREES TO DETERMINE DEPOSIT ADHESION. TESTING SHALL BE COMPLETED IN ACCORDANCE WITH ASTM SPEC B571.

2. DESIGN - GENERAL:

- A. THIS IS A 100% CAD GENERATED PART. THE CAD MATHEMATICAL DATA IS THE MASTER FOR THIS PART. FOR DIMENSIONAL OR ANY INFORMATION NOT SHOWN ON THIS DRAWING, ANALYZE THE CAD MODEL.
- B. TOLERANCES:
  - 1. LINEAR
    - 0.X ± 0.30
    - 0.XX ± 0.10
    - 0.XXX ± 0.10
  - 2. ANGULAR X° ± 3°
  - 3. 
- C. MINIMUM WALL THICKNESS REQUIRED: 1.3mm.
- D. CORNERS SHOWN AS SHARP TO BE R 0.2 MAX.
- E. LETTERING SHALL BE 0.15 MAX RAISED IN 0.20 MAX RECESS PAD. THIS INCLUDES MATERIAL CODE, RECYCLING CODE, CAVITY ID AND DATE CODE.
- F-1. PARTS MUST BE FREE OF DISCOLORATION, SALT RESIDUE AND OTHER IMPERFECTIONS THAT AFFECT FIT OR FUNCTION.
- F-2. SCRATCHES OR DENTS NOT TO EXCEED 0.013mm IN DEPTH.
- G. FOLLOWING PRODUCTION CODES TO BE PERMANENTLY MARKED & HUMAN READABLE TO A LETTER HEIGHT OF 1.5 ± 0.5MM X 0.3 MAX DEEP
  - 1. MATERIAL #: XXXXX-XXXX
  - 2. DATE CODE: JJJY (JULIAN DAY, LAST DIGIT OF YEAR)
  - 3. INSPECTION MACHINE CODE + SERIAL #: X\_XXXXX

3. DESIGN - MANUFACTURING:

- A. DRAFT TO BE WITHIN TOLERANCE.
- B. ALLOWABLE FLASH MAX 0.2 HIGH X MAX 0.13 THICK.
- C. ALLOWABLE PARTING LINE MISMATCH 0.2 MAX.
- D. EJECTOR PINS MARK TO BE FLUSH TO 0.25 MAX DEPRESSED.
- E. ALLOWABLE GATE VESTIGE FLUSH TO 0.25 MAX PROTRUSION.
- F. NO EXTERNAL MOLD RELEASE AGENT ALLOWED DURING MANUFACTURING.
- G. STEEL THAT FORMS THE INDICATED SURFACE MUST BE POLISHED WITH A DIAMOND FINISH (SPI A-2) OVER THE FULL PERIPHERY OF THE TOOL. SURFACE MUST HAVE NO MISMATCH.
- H. ANY PROCESS LUBRICANT REMAINING ON THE TERMINAL MUST NOT VARNISH OR DEGRADE IT'S ELECTRICAL PERFORMANCE UP TO A MAXIMUM CLASS AMBIENT TEMPERATURE PER SAE USCAR-2 FOR 1008 HOURS. PROCESS LUBRICANTS SHOULD BE APPROVED BY THE RESPONSIBLE ENGINEER.
- J. OPTIONAL FEATURES PROVIDED FOR AUTOMATION.
- K. PART MUST BE FREE FROM BURRS AND SHARP EDGES, WHICH MIGHT BE DETRIMENTAL TO SATISFACTORY ASSEMBLY, SAFE HANDLING OR FUNCTION OF PART.
- L. PARTS AS DELIVERED TO ASSEMBLY SHALL BE CLEAN AND FREE OF DEBRIS, RESIDUAL ABRASIVE MATERIAL AND CORROSION PRODUCTS ADVERESLY AFFECTING FUNCTION OR APPEARANCE.
- M. RESTRICTED AND REPORTABLE SUBSTANCES FOR PARTS PER GMW3059.

	PAGE TITLE	DRAWING NUMBER	DWG STATUS			PAGE NUMBER	
	NOTES		12672833	ST	REV	PDI	6 OF 22
				R	001		

NOTES: UNLESS OTHERWISE SPECIFIED

4. SYSTEM REQUIREMENTS:

- A. HARNESS CONNECTOR IS COMPATIBLE WITH THE FOLLOWING ISO WIRE SIZE NO'S:  
 0.35mm<sup>2</sup>, MEETING GMW15626 - MIN OD OF 1.30MM  
 0.50mm<sup>2</sup>, MEETING GMW15626  
 0.75mm<sup>2</sup>, MEETING GMW15626 - MAX OD OF 2.06MM

B. CABLE TIE SPECIFICATIONS:

1. CABLE TIE:
  - TENSILE RATING: 220N / (50lbs) MIN
  - TIE LENGTH: 186mm MIN
  - TIE WIDTH: 4.75mm MAX
  - MATERIAL: NYLON
2. INSTALLATION:
  - CABLE TIE TENSION: 190N MIN
3. DRESSED WIRE BUNDLE PACKAGING: SEE FIG. 1

C. WHEN MATED WITH COMPONENT CONNECTOR INTERFACE AND/OR DRESS COVER, HARNESS CONNECTOR SYSTEM CONFORMS TO THE FOLLOWING:

1. SAE/USCAR-2, REV: 3 APRIL, 2001; CLASS 3
2. FIELD CORRELATED LIFE TEST, SAE/USCAR-20, NOV. 2001
3. GMW #3191 AUGUST 22, 2000 (DRAFT); TEMPERATURE CLASS 3, SEALING CLASS 1, VIBRATION CLASS 2
4. RESTRICTED AND REPORTABLE CHEMICALS PER GMW #3059, REV: D AUGUST 2002
5. TPA USER FORCES (FULLY POPULATED WITH TERMINALS)
  - a. REMOVAL FROM LOCK TO PRE-SET: <=120N

D. WIRE SPECIFICATIONS:

1. WIRE SURFACE MUST BE FREE OF SCRATCHES, GROOVES OR DENTS WHERE FUNCTIONAL

5. TERMINAL CURRENT RATINGS:

A. MX64 RCPT TERM

ALL TESTING DONE IN ACCORDANCE WITH USCAR-2 REV5 SECTION 5.3

1. MX64 RCPT TERM Ag 0.50/0.75mm<sup>2</sup> CRIMPED TO 0.75mm<sup>2</sup> ISO WIRE AND MATED TO MX123 0.64MM PIN: SEE TABLE BELOW
2. MX64 RCPT TERM Ag 0.35mm<sup>2</sup> CRIMPED TO 0.35mm<sup>2</sup> ISO WIRE AND MATED TO MX123 0.64MM PIN: SEE TABLE BELOW

WIRE	CURRENT RATING			
	23°C	85°C	105°C	125°C
0.75mm <sup>2</sup>	11.3A	11.3A	9.5A	6.6A
0.50mm <sup>2</sup>	10.0A	10.0A	8.3A	5.7A
0.35mm <sup>2</sup>	8.5A	8.5A	7.1A	5.0A

B. 2.8MM RCPT TERM

ALL TESTING DONE IN ACCORDANCE WITH MOLEX DVP&R 0279 (TR # 7125)

1. 2.8MM RCPT TERM TIN 2.0mm<sup>2</sup> CRIMPED TO 2.0mm<sup>2</sup> ISO WIRE AND MATED TO MX123 2.8MM BLADE: 25.6 AMPS AT 125°C

6. CONTACT MOLEX AUTOMOTIVE FOR AVAILABLE CUSTOM PATTERNS OF CAVITIES OPEN FOR CIRCUITS - SEE GM DRAWING 13507496



PAGE TITLE  
NOTES

DRAWING NUMBER

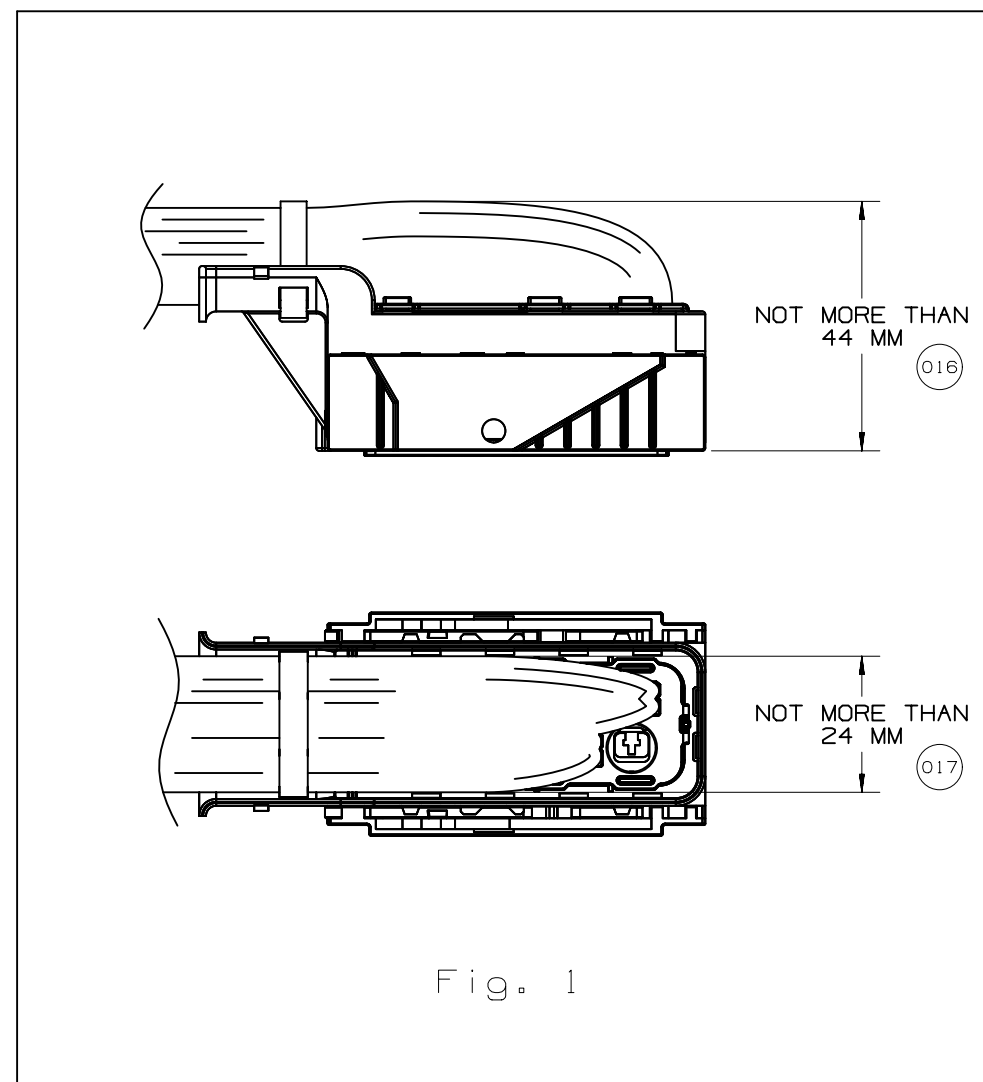
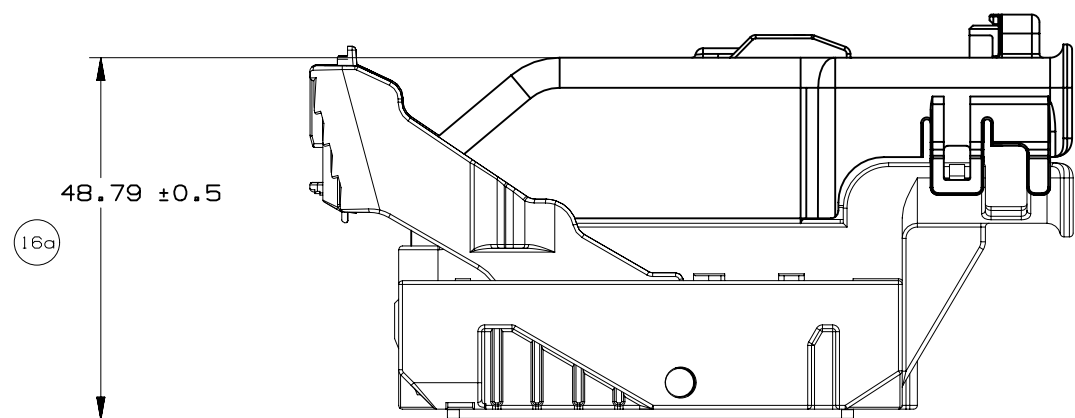
12672833

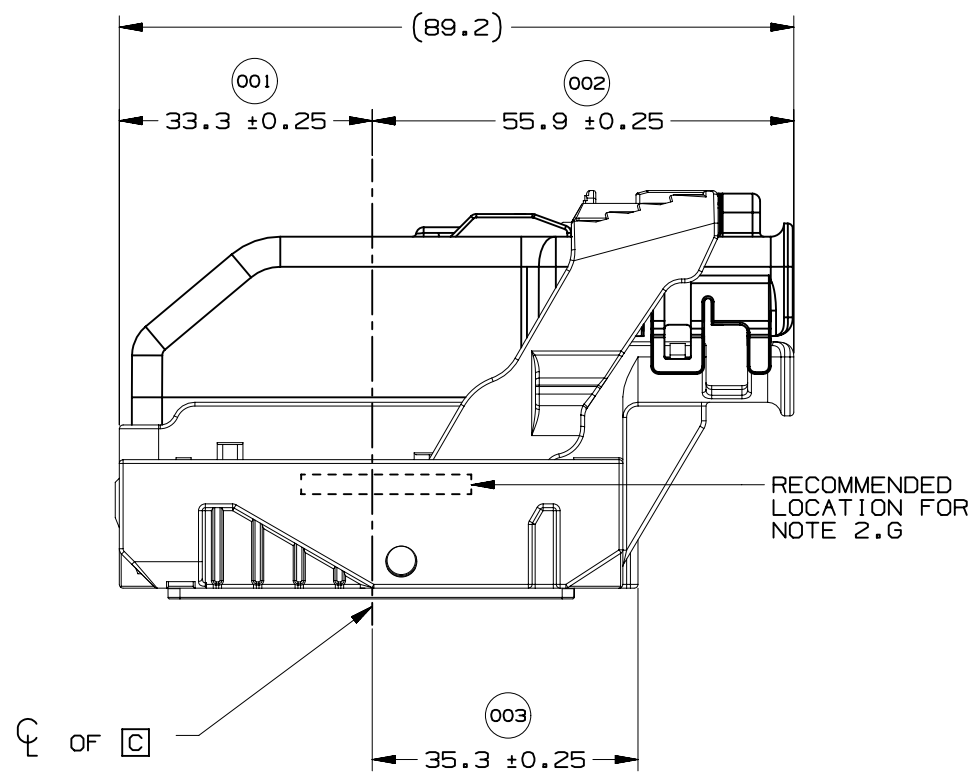
DWG STATUS

ST	REV	PDI
R	001	

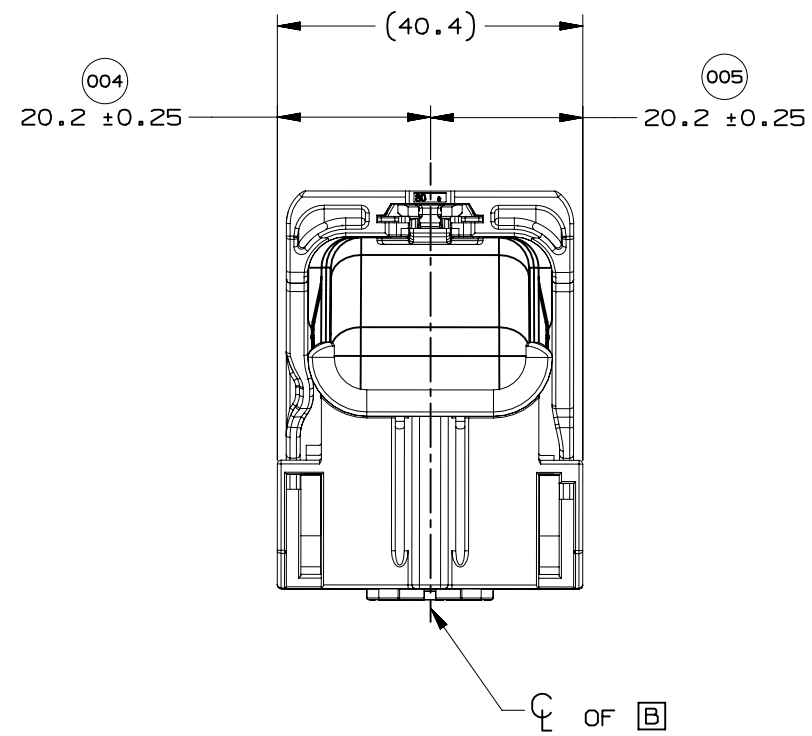
PAGE NUMBER

7 OF 22

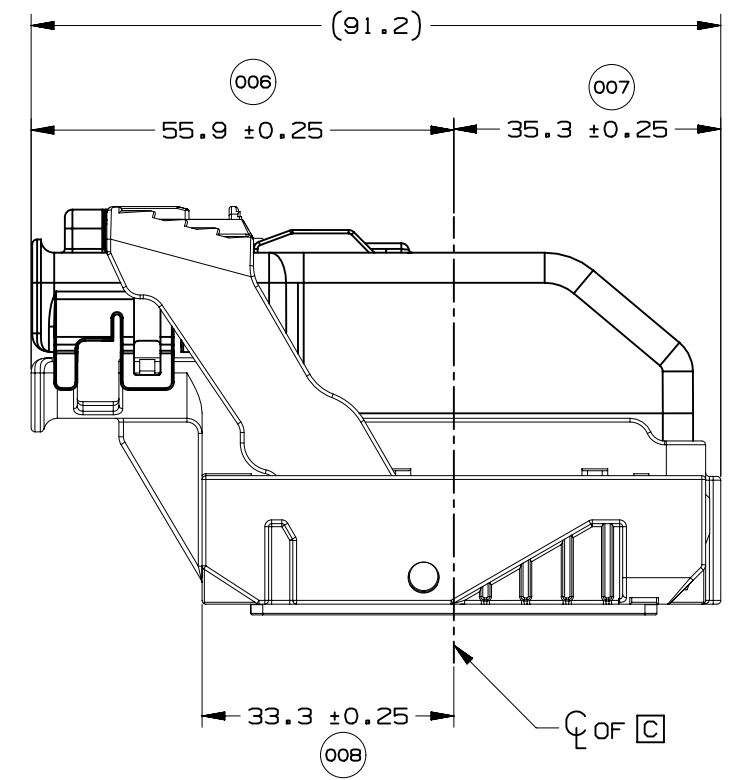




WIRE DRESS OPTION 0 SHOWN

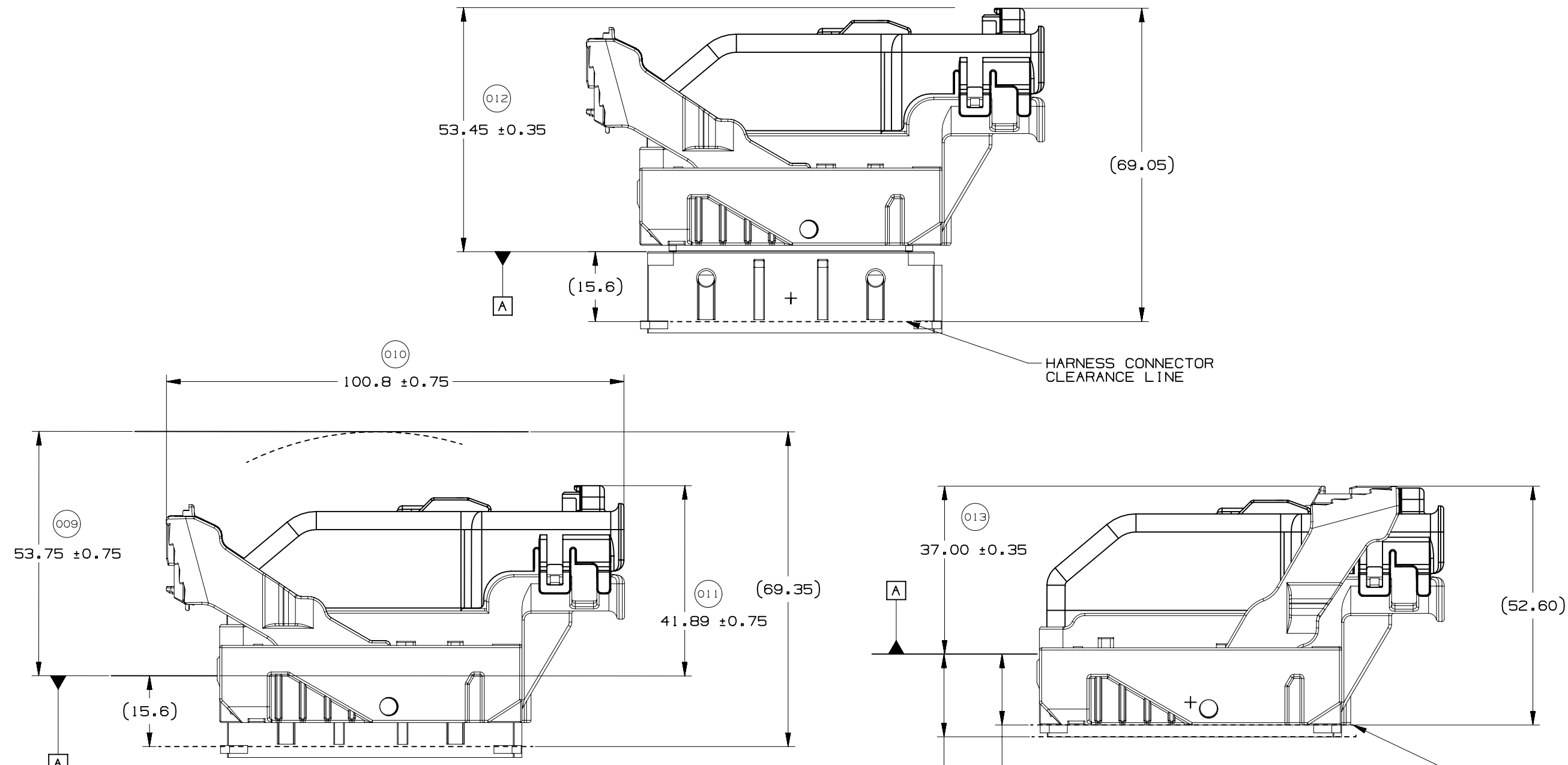


WIRE DRESS OPTION 0 SHOWN



WIRE DRESS OPTION 9 SHOWN





HARNESS CONNECTOR CLEARANCE LINE

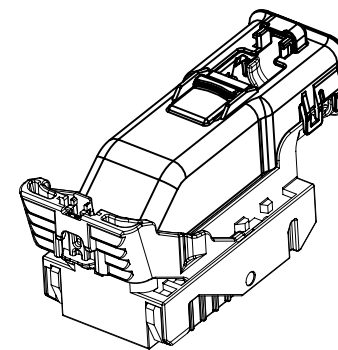
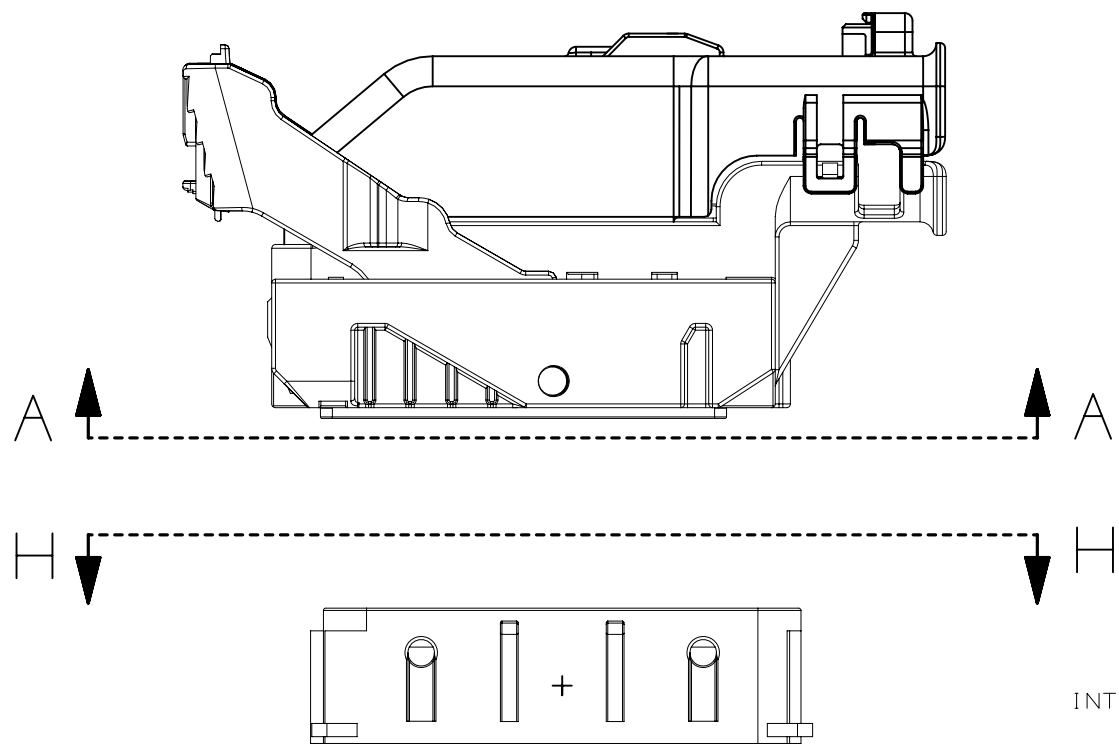
HARNESS CONNECTOR ASSEMBLY IN FULLY-MATED POSITION

HARNESS CONNECTOR CLEARANCE LINE

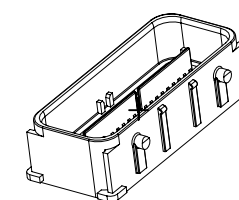
15.6 MIN. ALL AROUND CLEARANCE REQUIRED FOR HARNESS CONNECTOR (014)

17.9 MIN. AT PAD LOCATION CLEARANCE REQUIRED FOR HARNESS CONNECTOR CONSTRUCTION BELOW THIS PLANE IS NOT CONTROLLED (015)

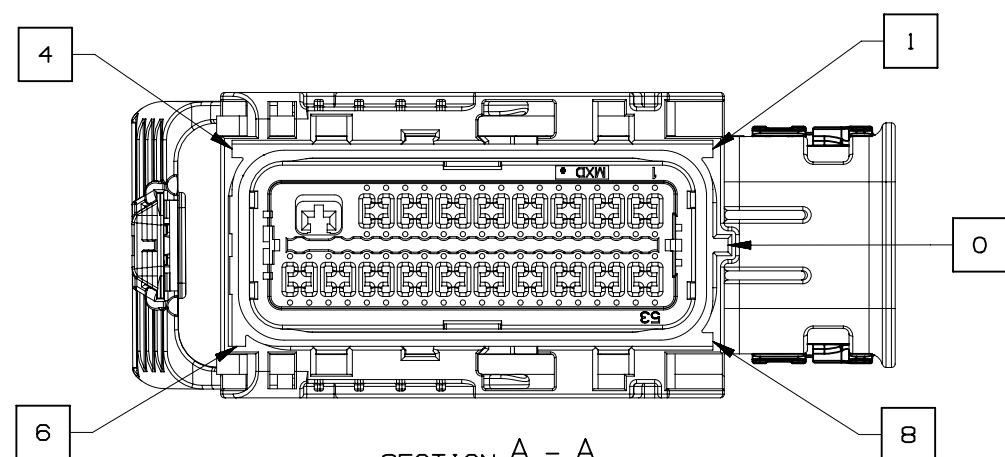
	PAGE TITLE LOCATION AND PACKAGING DIMENSIONS REFERENCING INTERFACE DATUM A	DRAWING NUMBER  12672833	DWG STATUS			PAGE NUMBER	
			ST	REV	PD1	10	OF 22
			R	001			



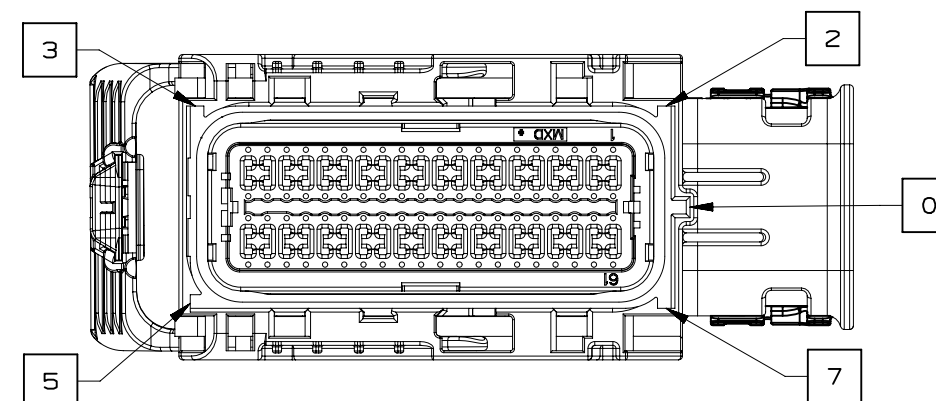
NOTE: REFERENCE THE COMPONENT TABLE FOR KEY OPTIONS AND CONFIGURATIONS



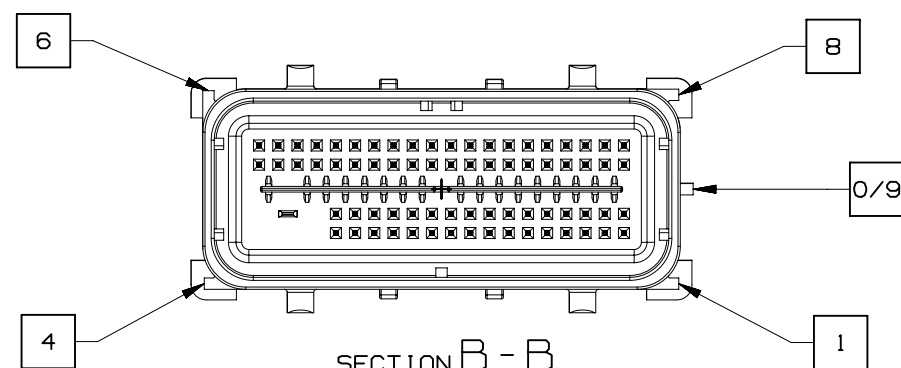
INTERFACE SIDE SHOWN ON ALL SECTION VIEWS



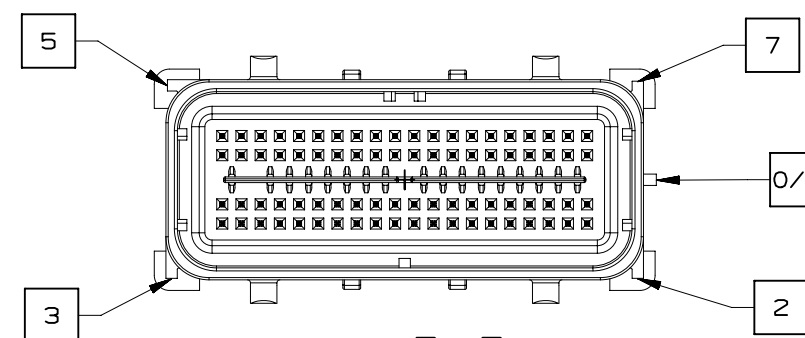
SECTION A - A  
73 CKT HARNESS CONNECTOR ASSEMBLY  
KEY OPTION B SHOWN



SECTION A - A  
80 CKT HARNESS CONNECTOR ASSEMBLY  
KEY OPTION K SHOWN



SECTION B - B  
73 CKT HARNESS CONNECTOR ASSEMBLY  
KEY OPTION B SHOWN



SECTION B - B  
80 CKT HARNESS CONNECTOR ASSEMBLY  
KEY OPTION K SHOWN

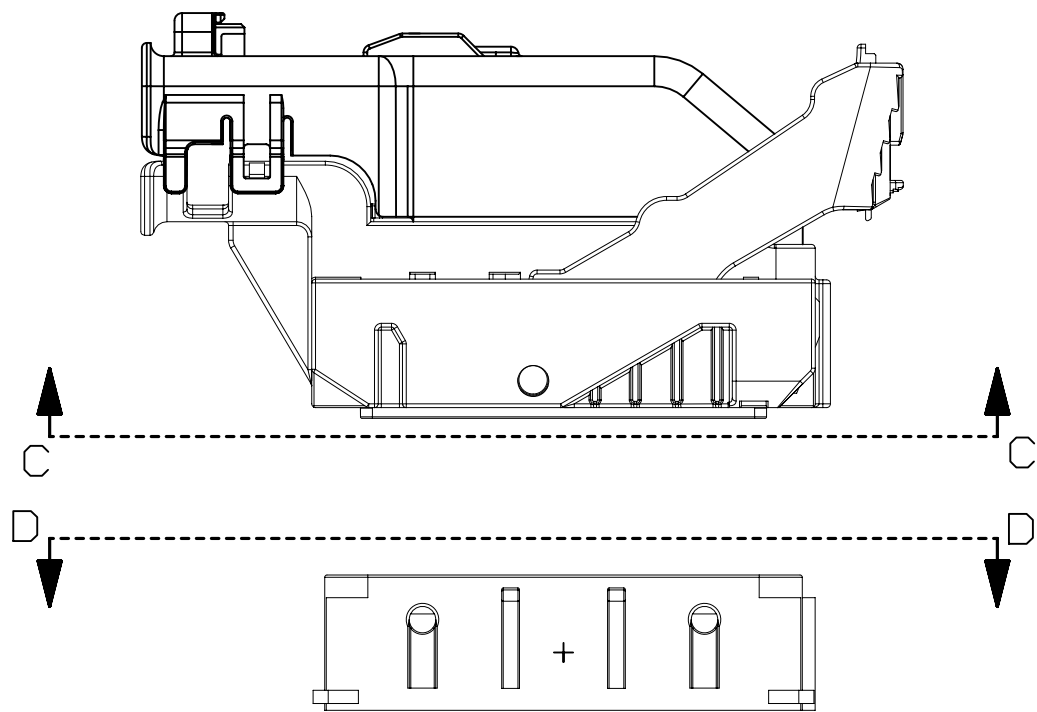


PAGE TITLE  
KEY ID REF - WIRE DRESS OPTION 0

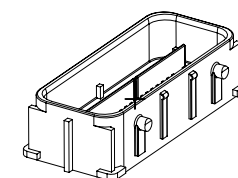
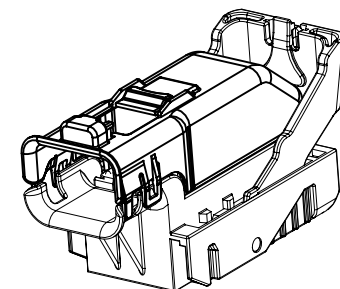
DRAWING NUMBER  
12672833

DWG STATUS		
ST	REV	PD1
R	001	

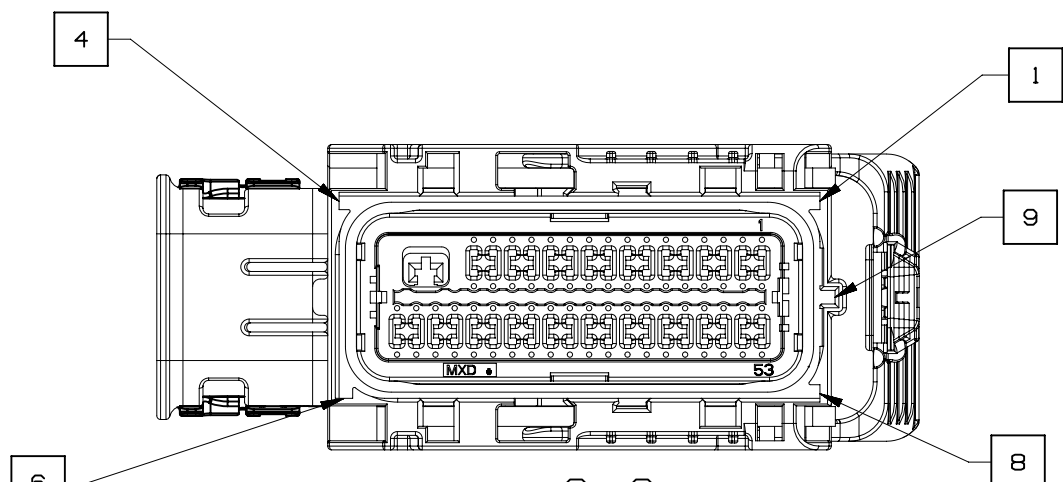
PAGE NUMBER  
11 OF 22



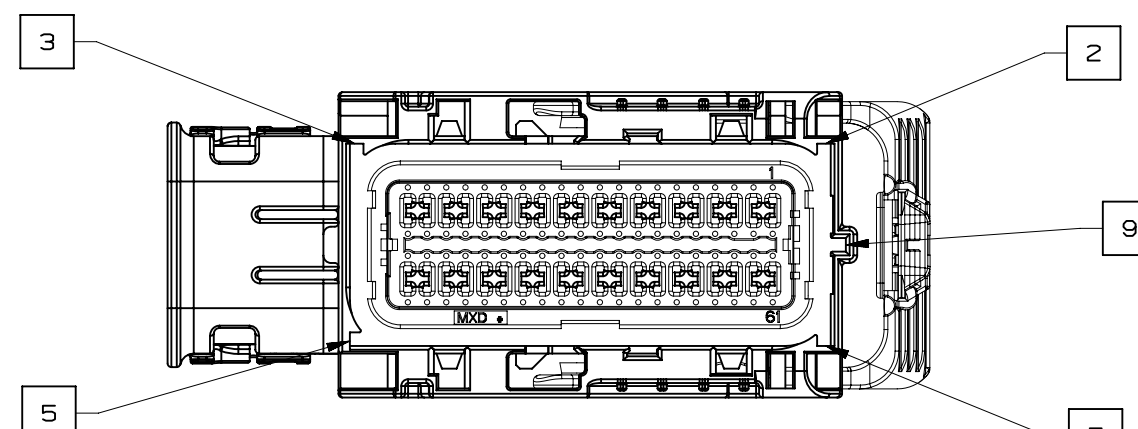
INTERFACE SIDE SHOWN ON ALL SECTION VIEWS



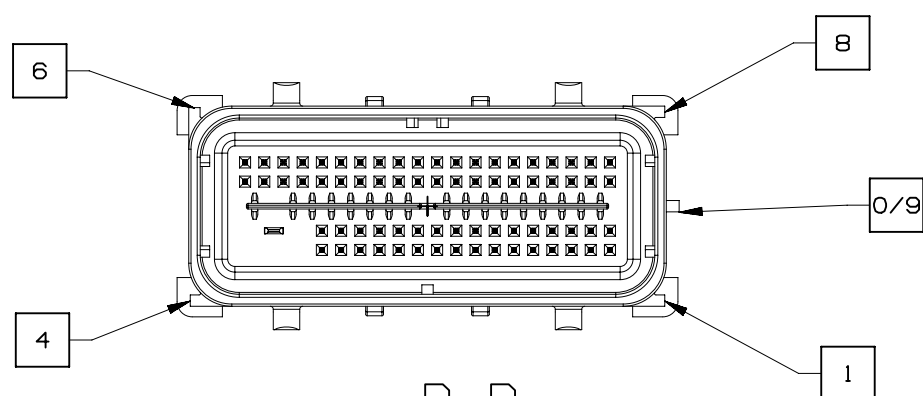
NOTE: REFERENCE THE COMPONENT TABLE FOR KEY OPTIONS AND CONFIGURATIONS



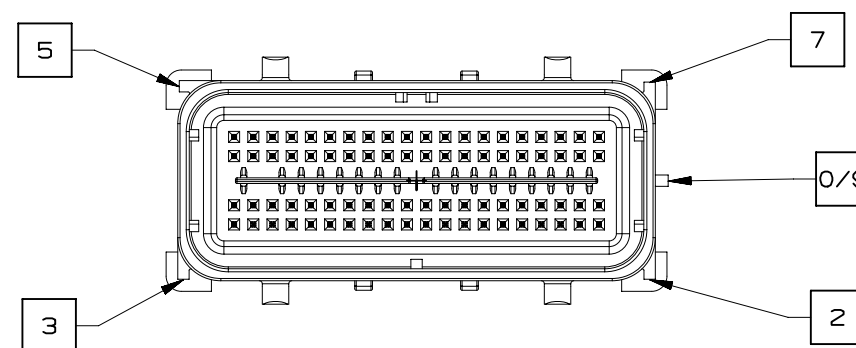
SECTION C - C  
73 CKT HARNESS CONNECTOR ASSEMBLY  
KEY OPTION B SHOWN



SECTION C - C  
80 CKT HARNESS CONNECTOR ASSEMBLY  
KEY OPTION K SHOWN



SECTION D - D  
73 CKT HARNESS CONNECTOR ASSEMBLY  
KEY OPTION B SHOWN



SECTION D - D  
80 CKT HARNESS CONNECTOR ASSEMBLY  
KEY OPTION K SHOWN

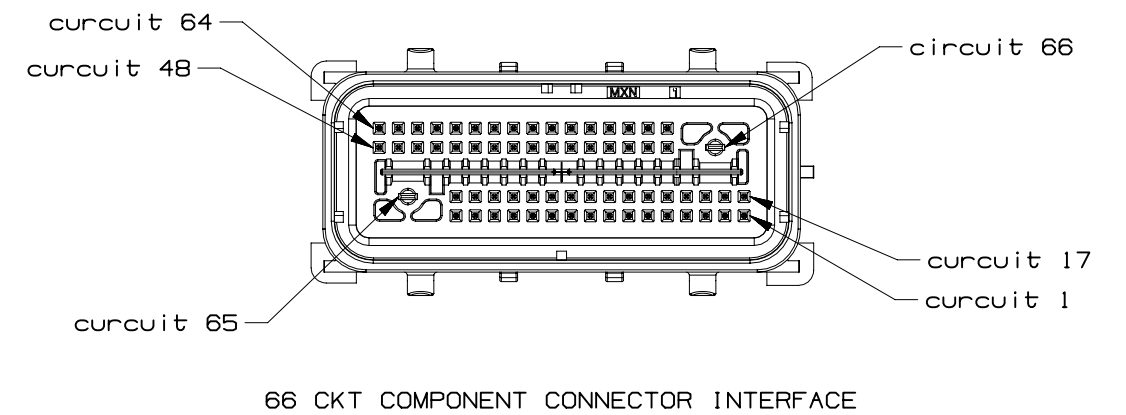
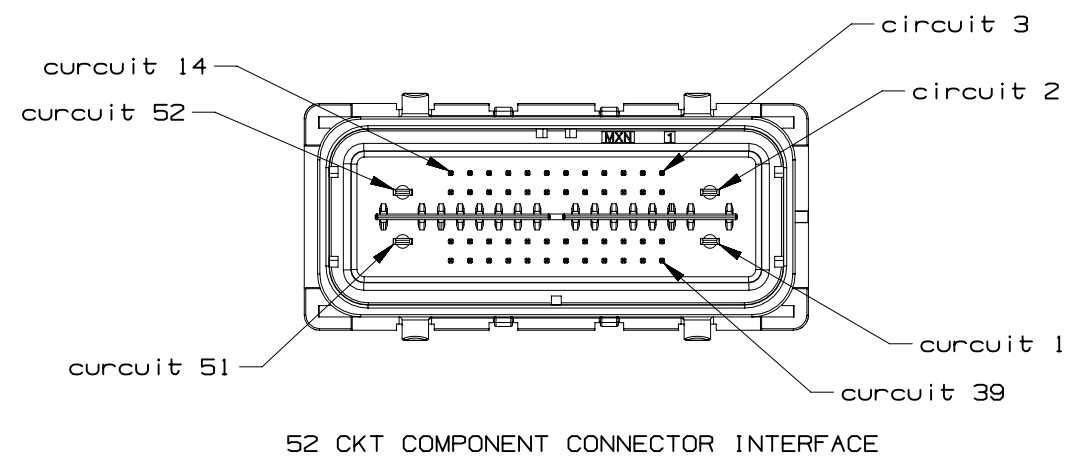
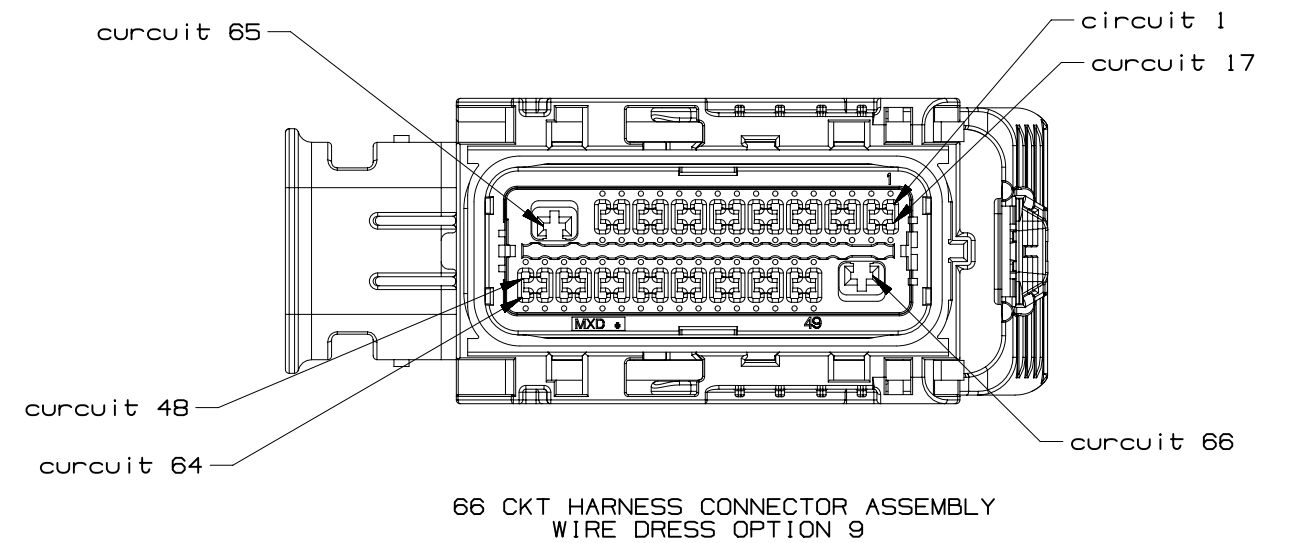
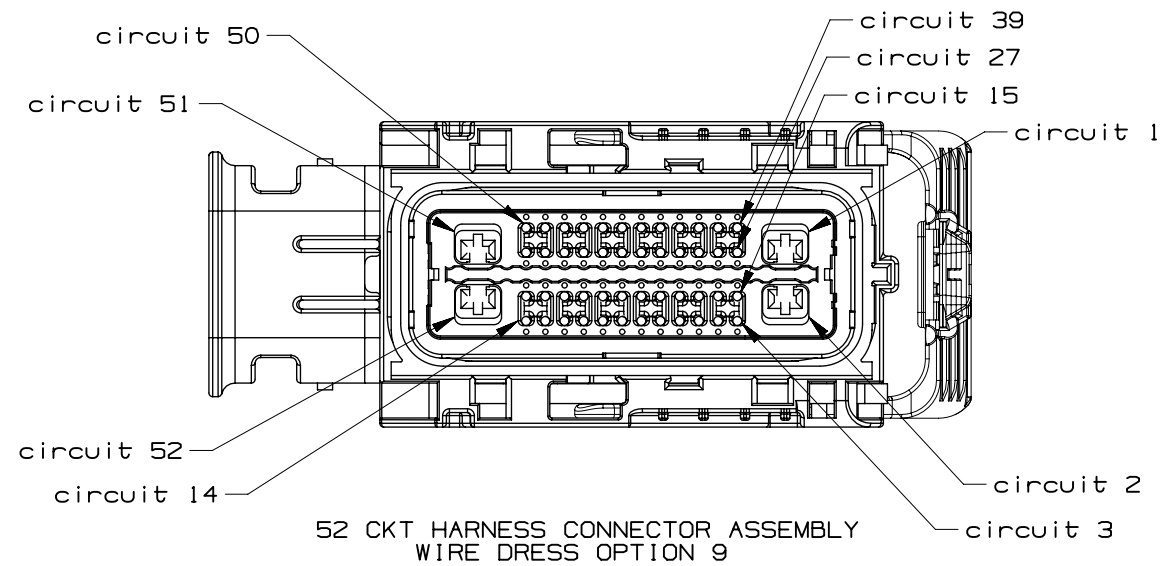
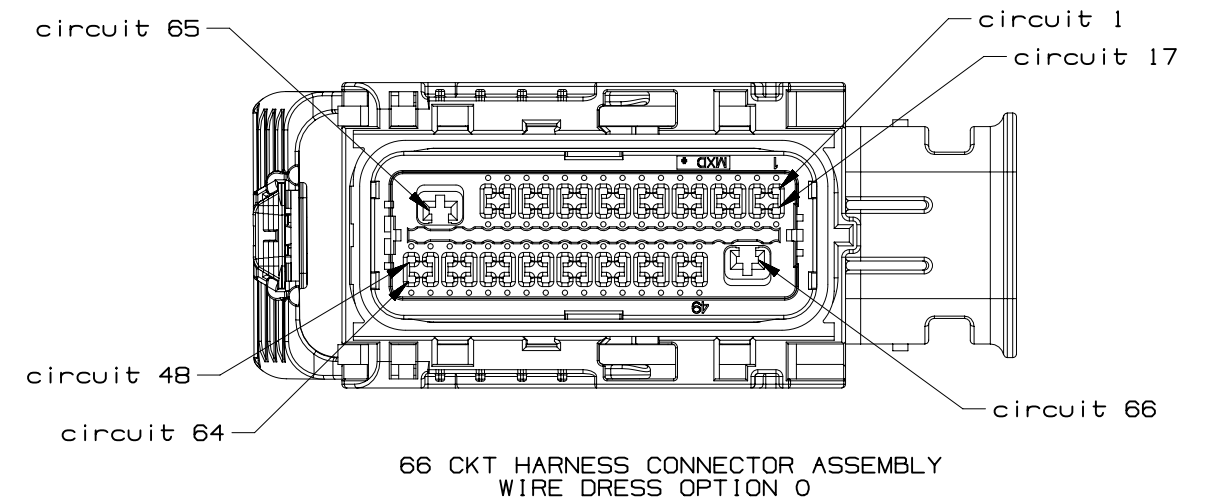
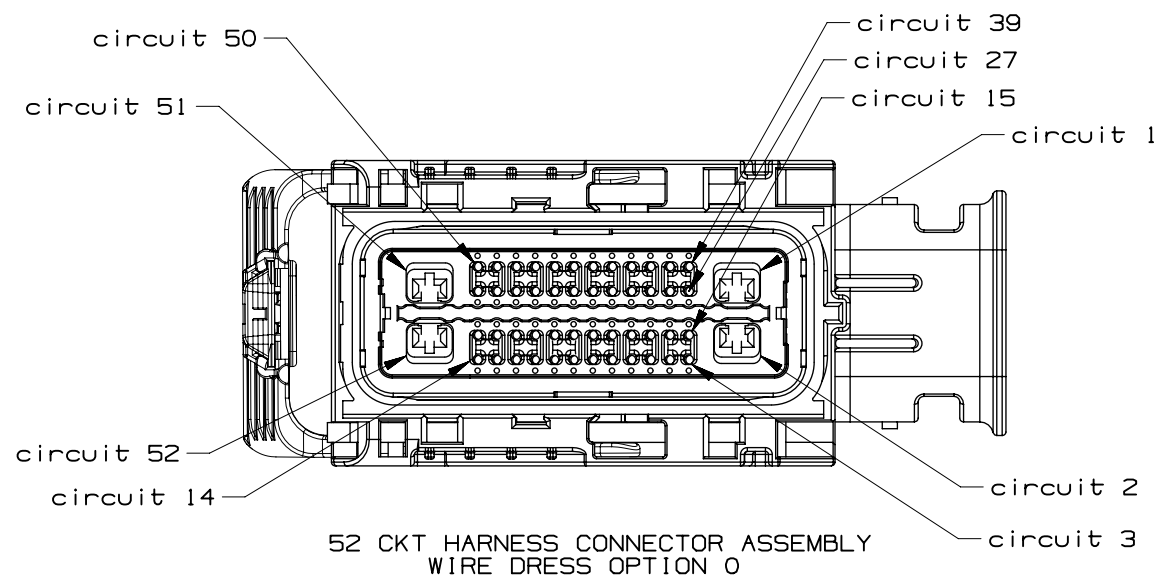


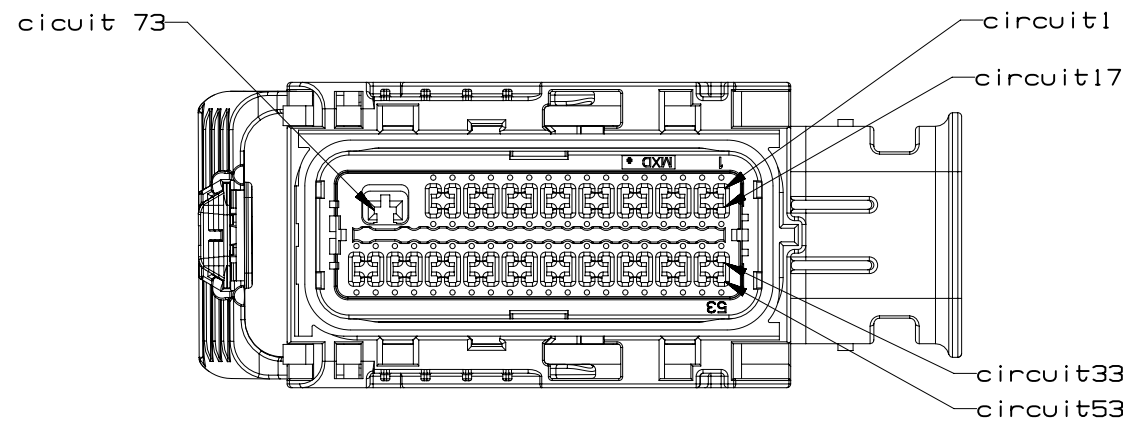
PAGE TITLE  
KEY ID REF - WIRE DRESS OPTION 9

DRAWING NUMBER  
12672833

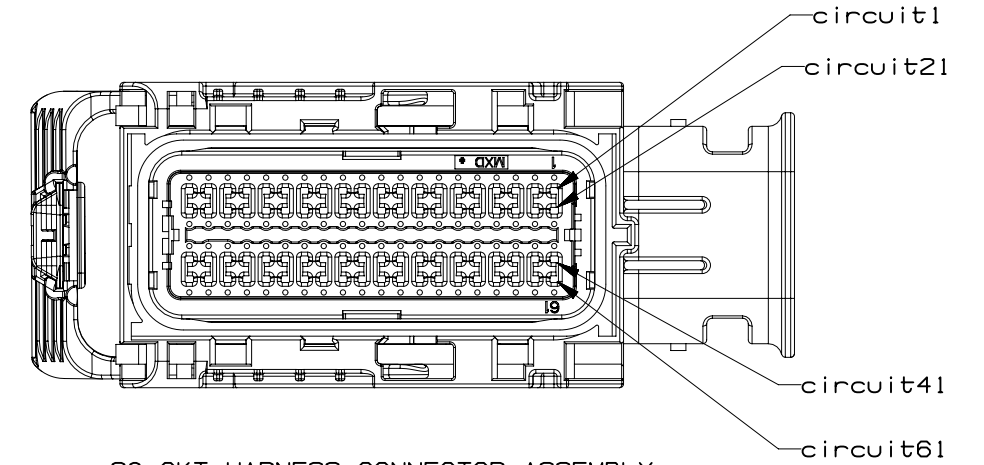
DWG STATUS			PAGE NUMBER
ST	REV	PD1	
R	001		12 OF 22





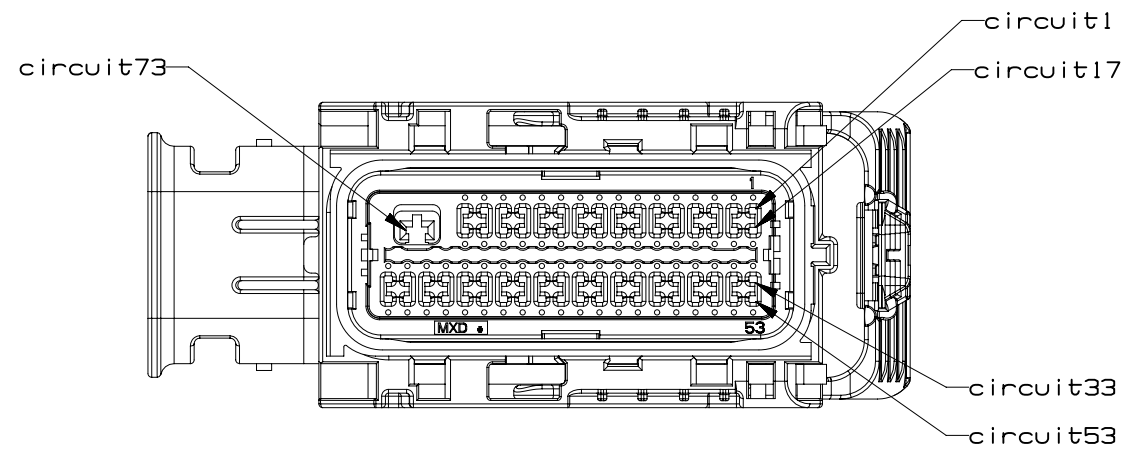


73 CKT HARNESS CONNECTOR ASSEMBLY  
WIRE DRESS OPTION 0

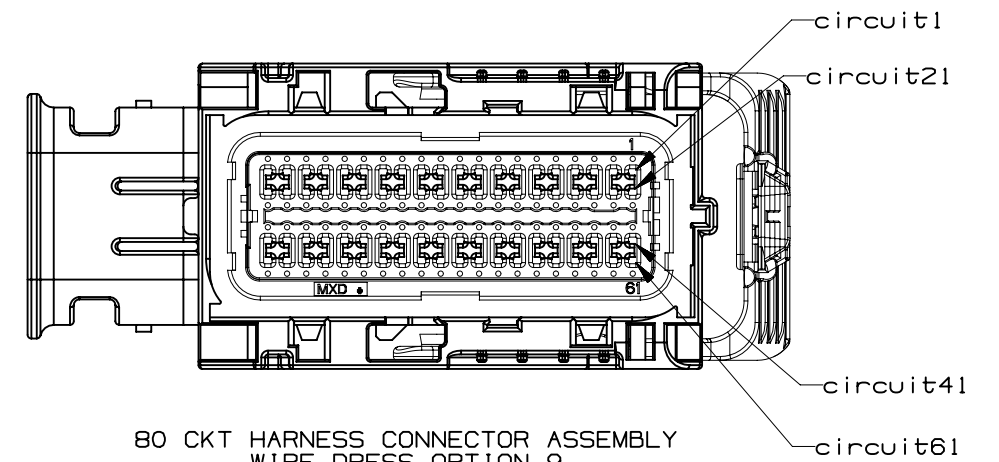


80 CKT HARNESS CONNECTOR ASSEMBLY  
WIRE DRESS OPTION 0

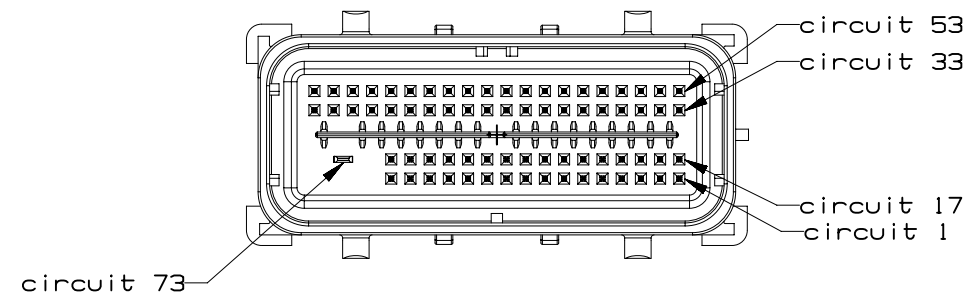
INTERFACE SIDE SHOWN ON ALL VIEWS



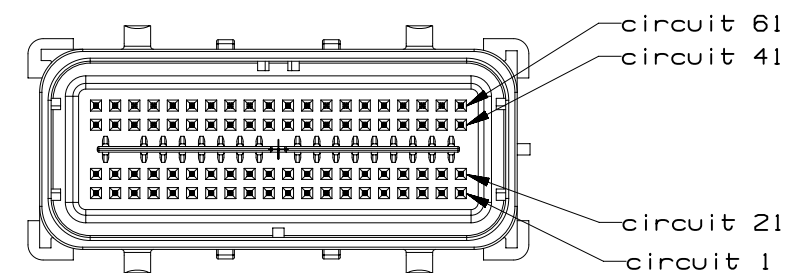
73 CKT HARNESS CONNECTOR ASSEMBLY  
WIRE DRESS OPTION 9



80 CKT HARNESS CONNECTOR ASSEMBLY  
WIRE DRESS OPTION 9

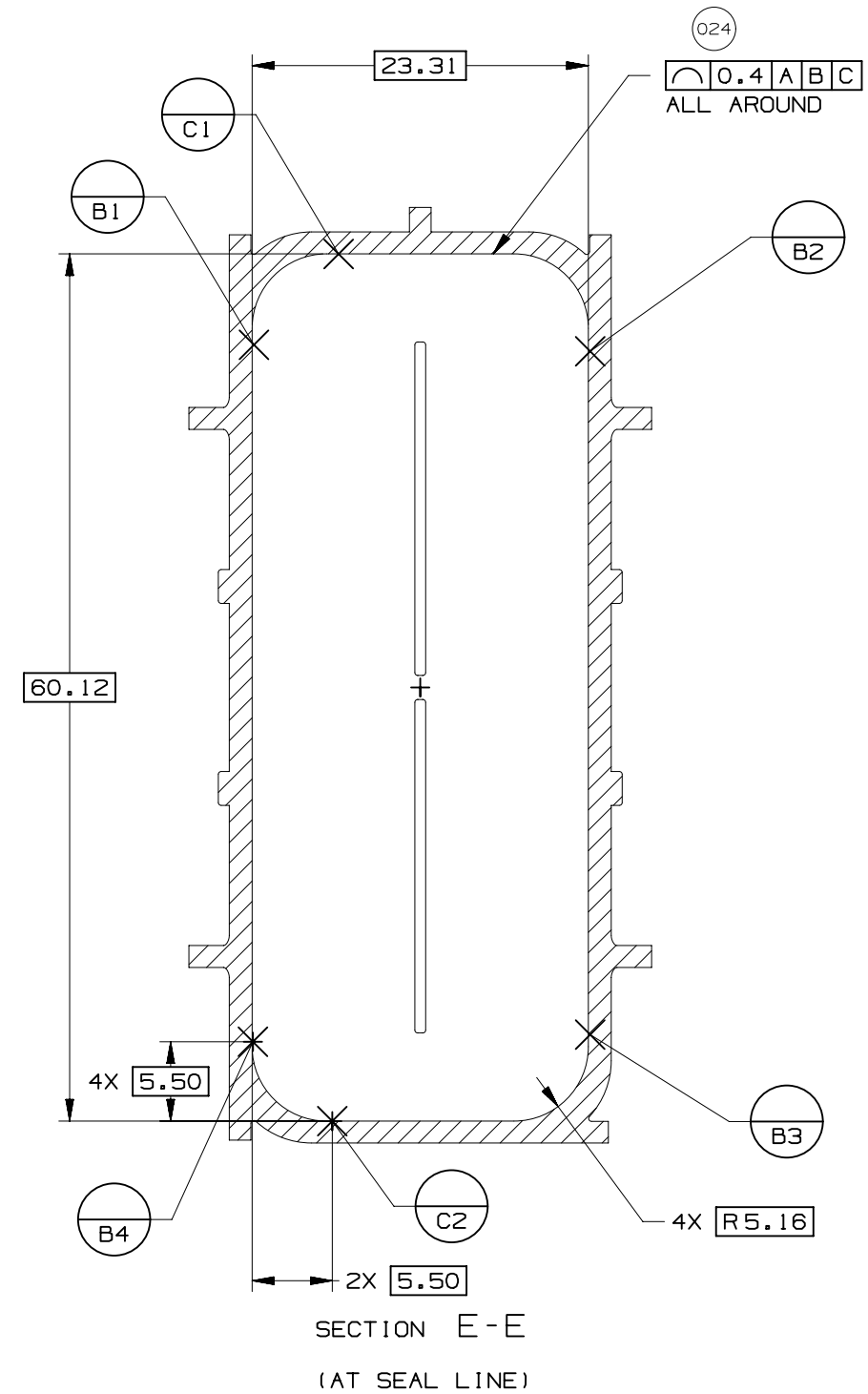
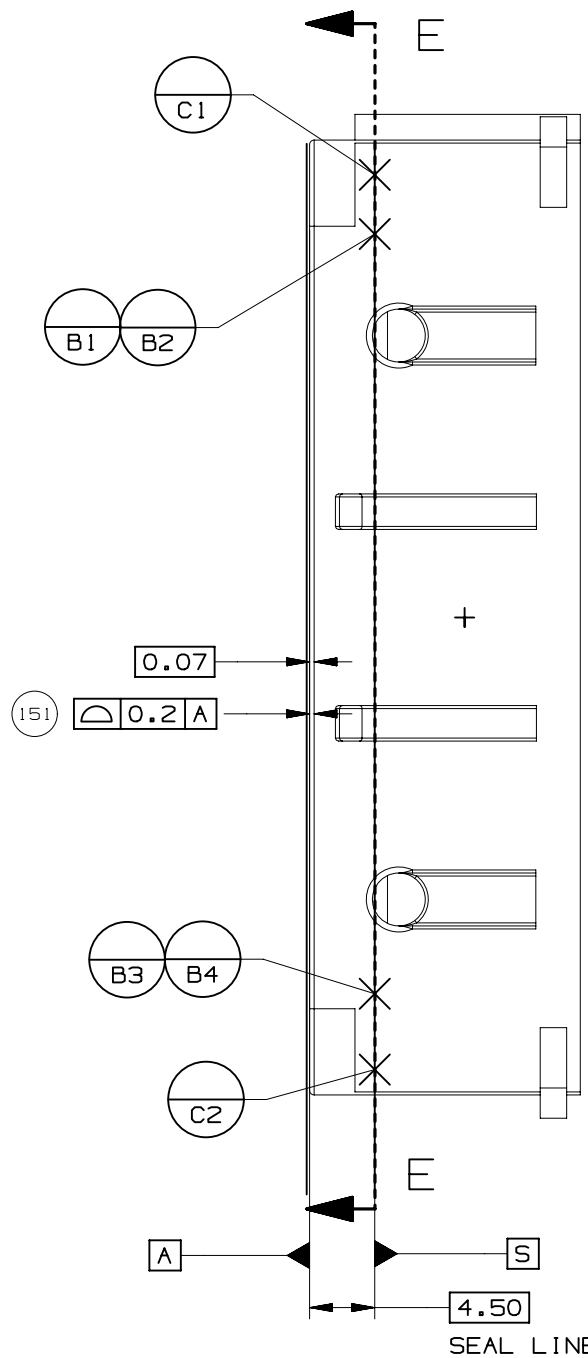
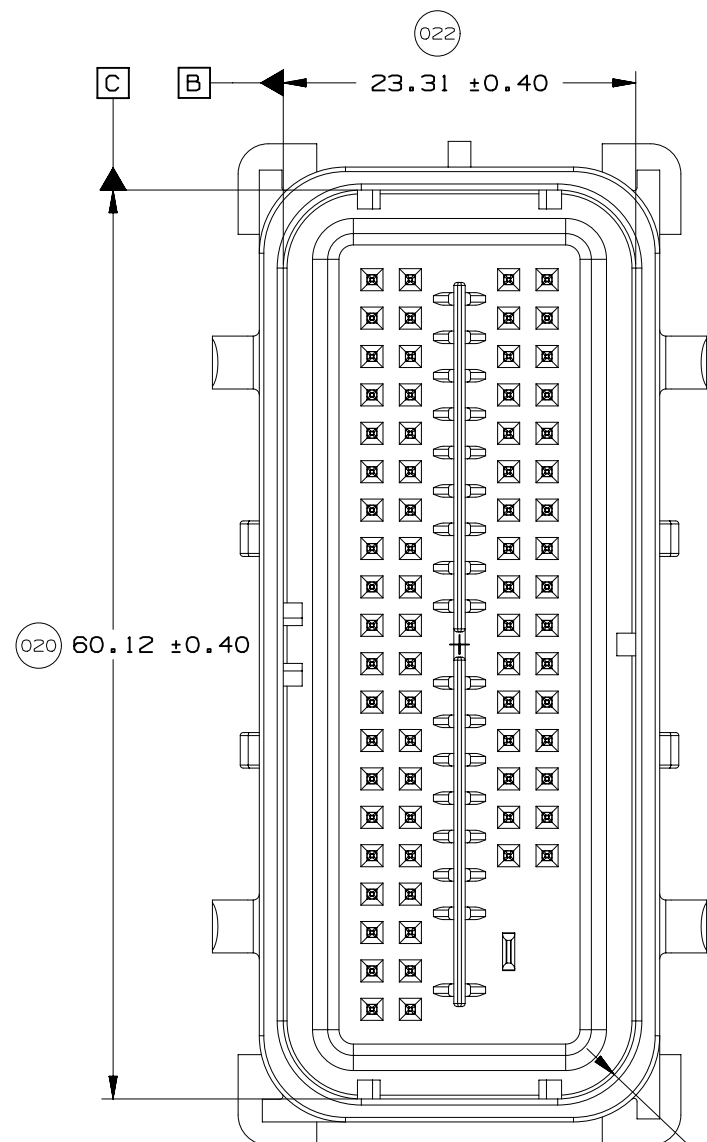
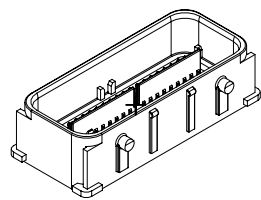


73 CKT COMPONENT CONNECTOR INTERFACE



80 CKT COMPONENT CONNECTOR INTERFACE





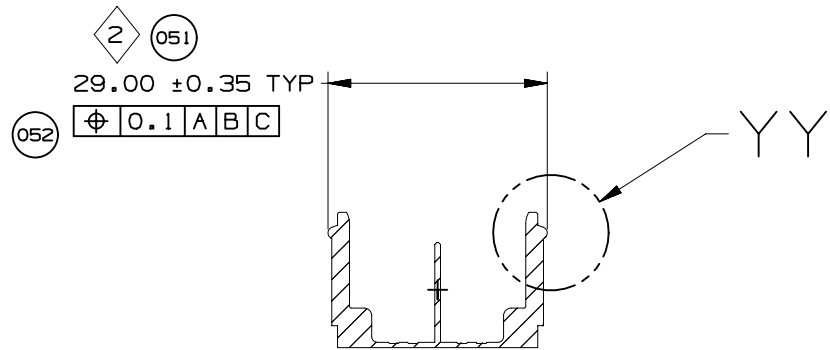
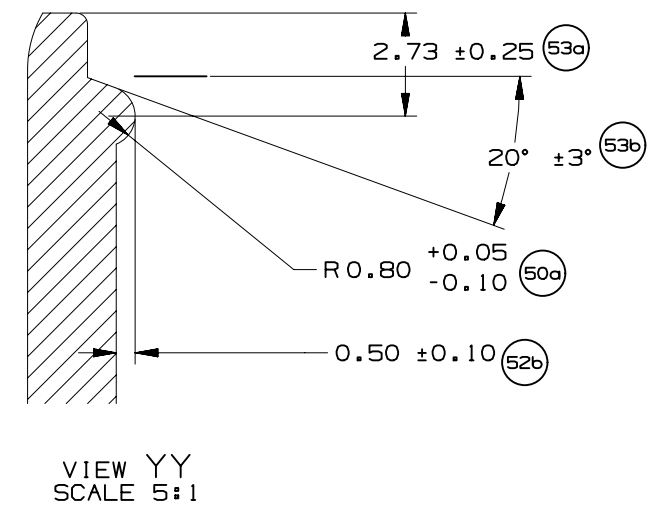
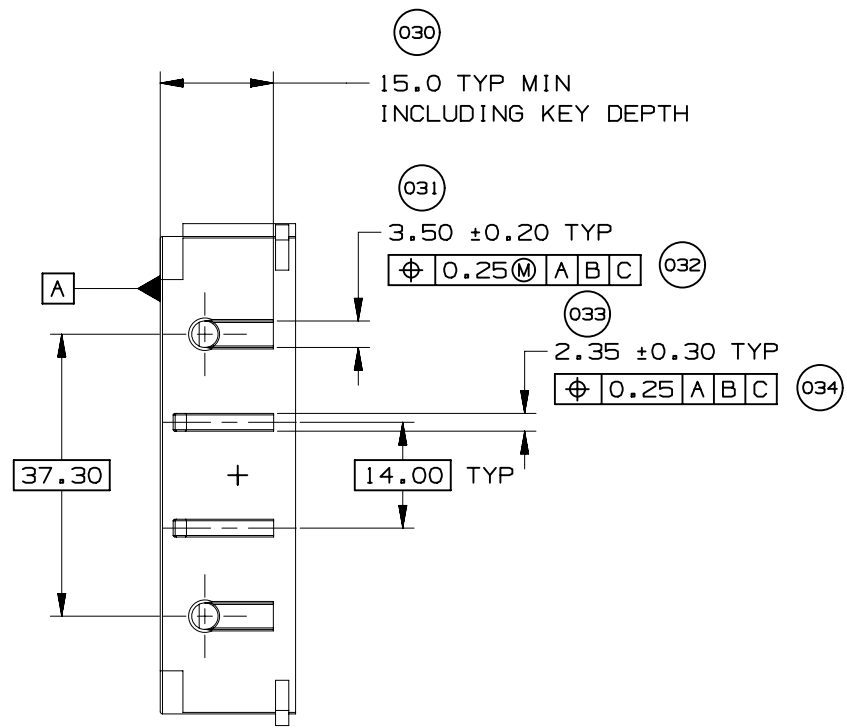
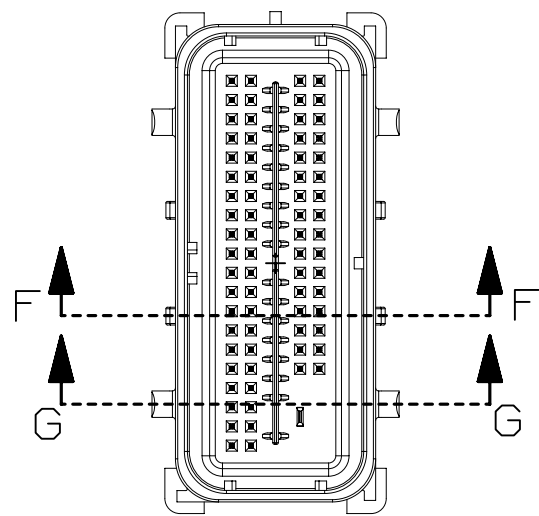
UNLESS SPECIFIED, TOLERANCE OF THE COMPONENT CONNECTOR INTERFACE TO BE  $\sqrt{0.13 A B C}$



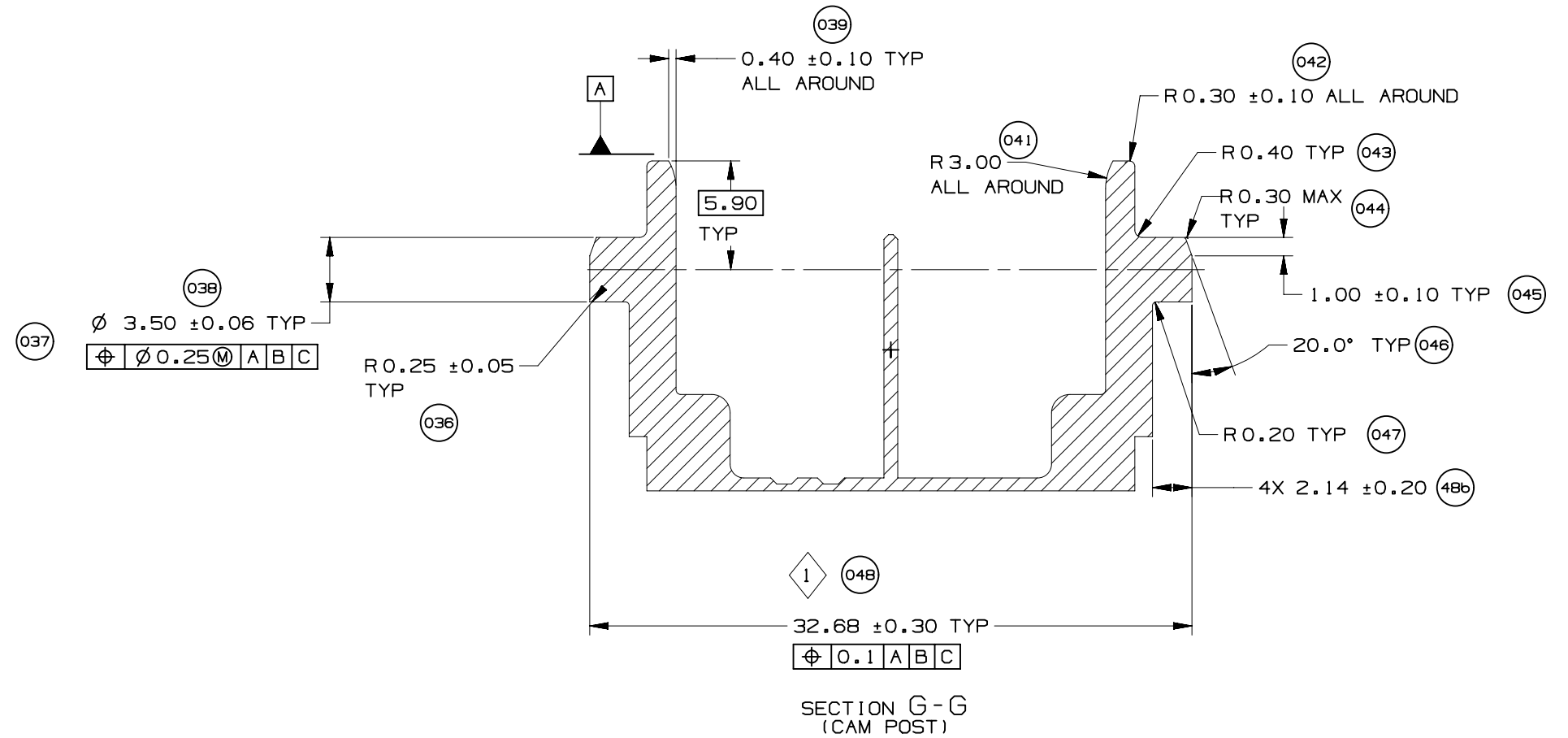
PAGE TITLE  
COMPONENT CONNECTOR INTERFACE

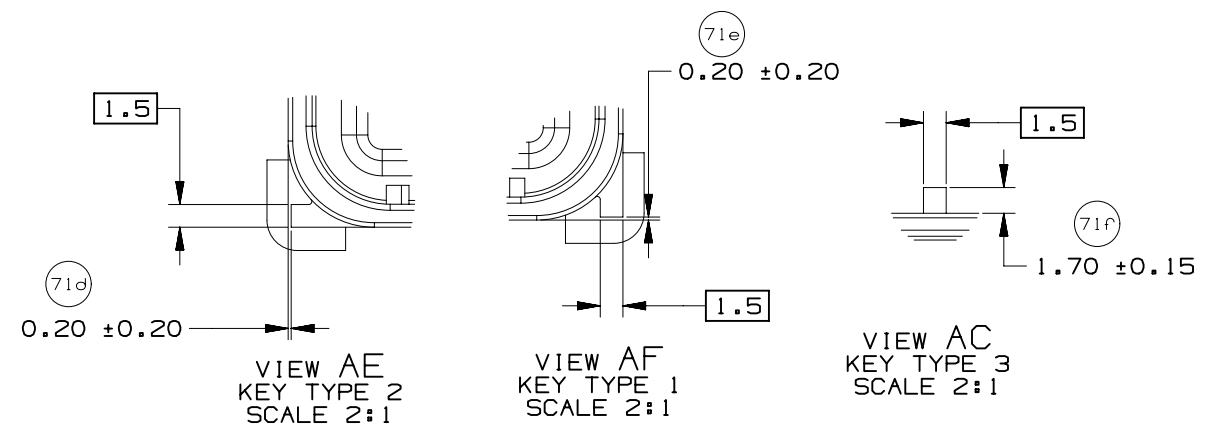
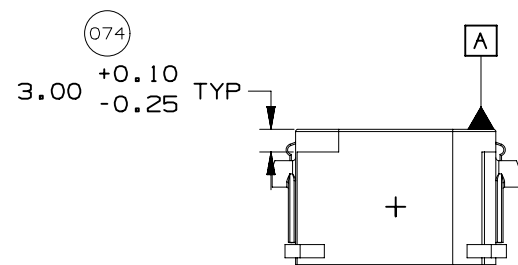
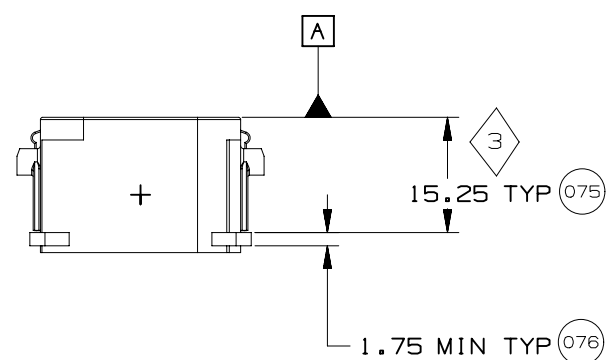
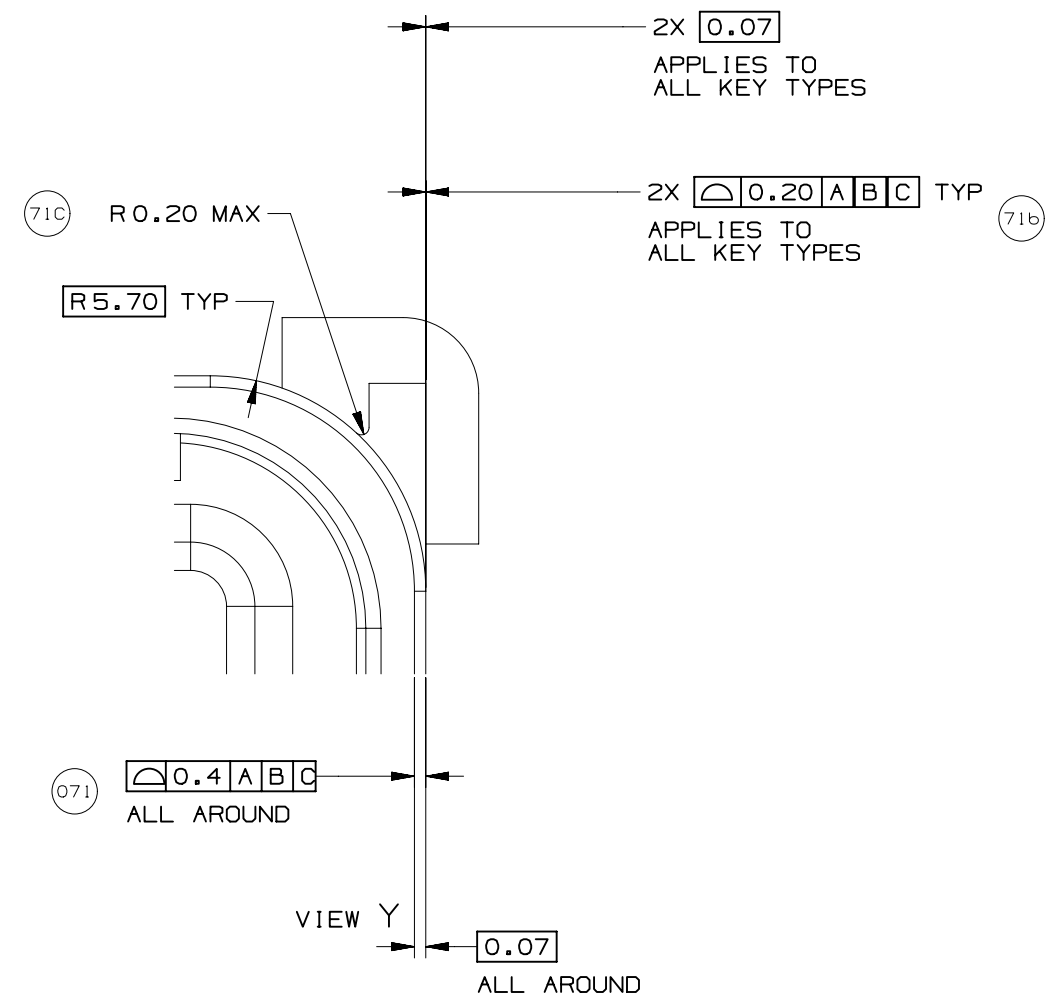
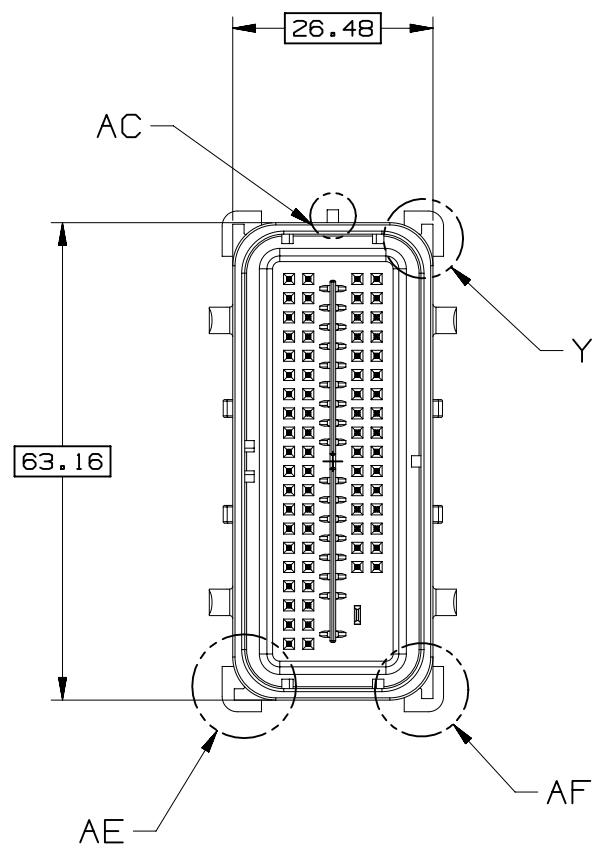
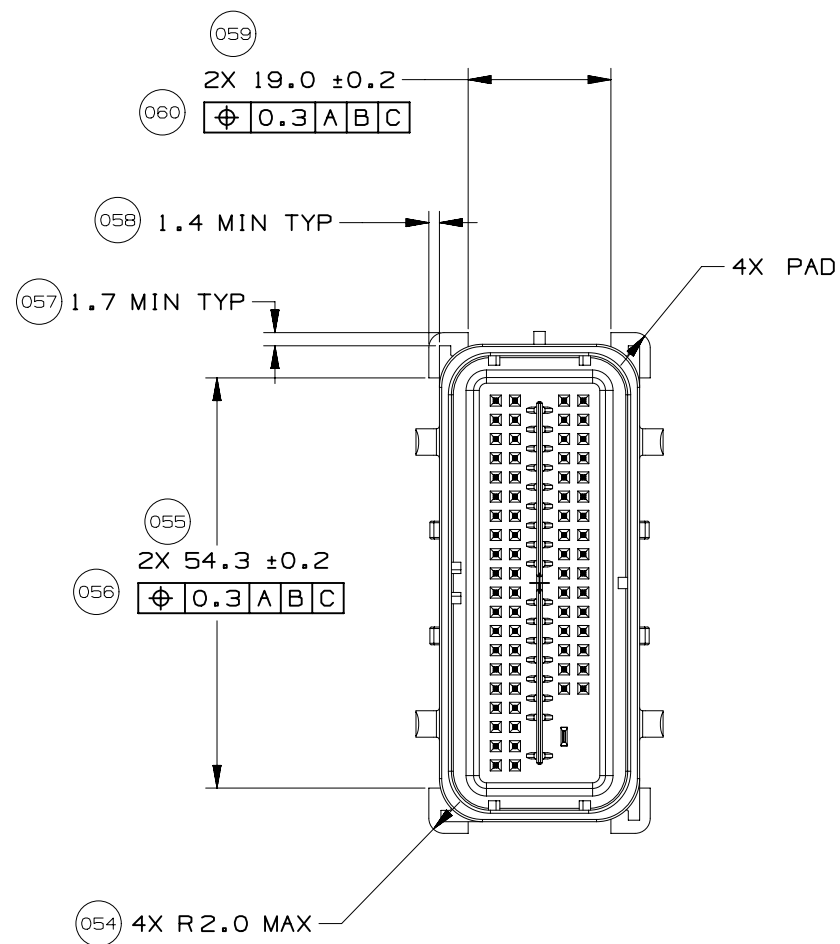
DRAWING NUMBER  
12672833

DWG STATUS			PAGE NUMBER
ST	REV	PD1	
R	001		15 OF 22



SECTION F-F  
(RELEASE FEATURE)

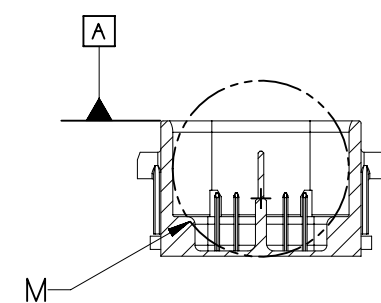
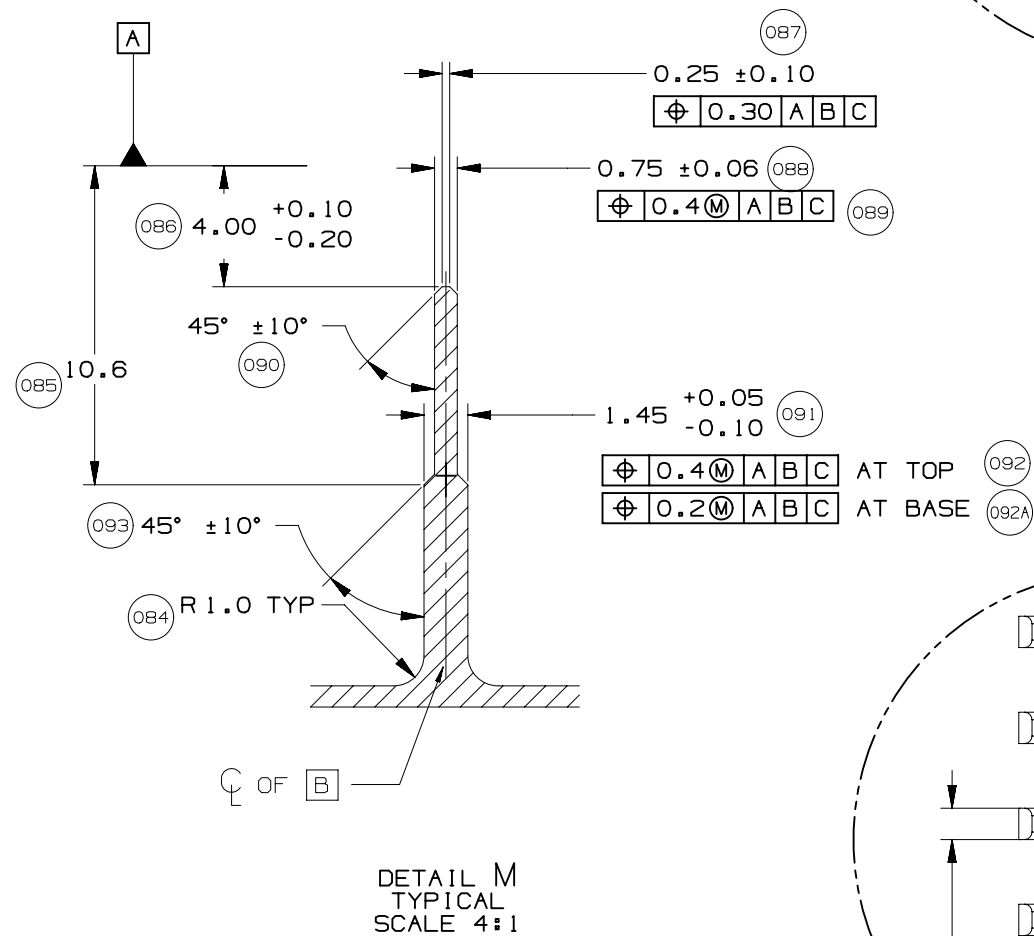
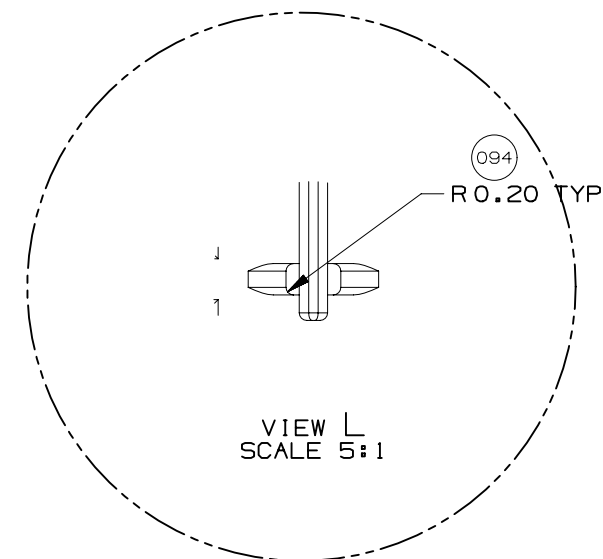
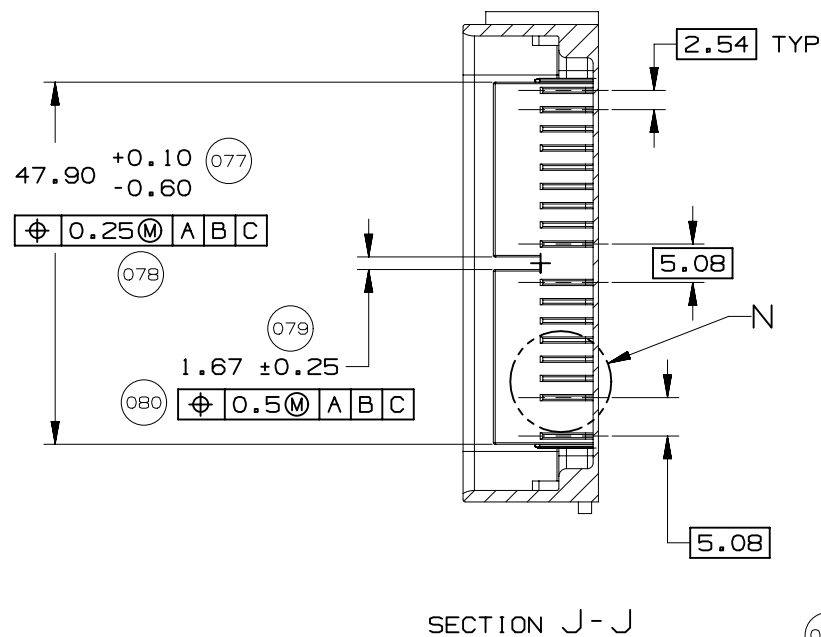
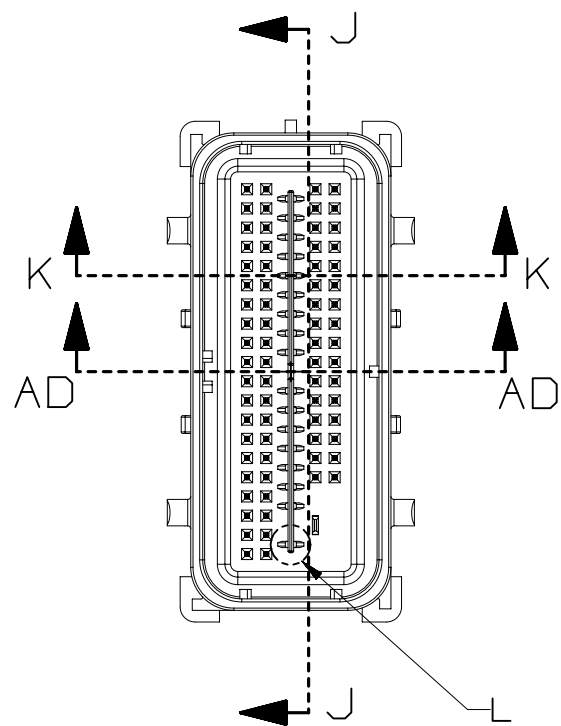




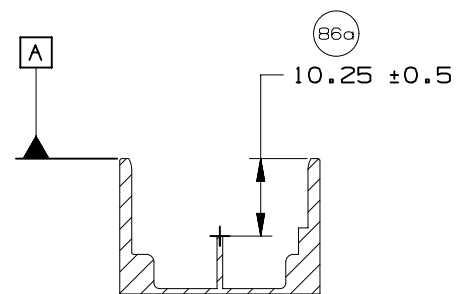
PAGE TITLE  
 COMPONENT CONNECTOR INTERFACE

DRAWING NUMBER  
 12672833

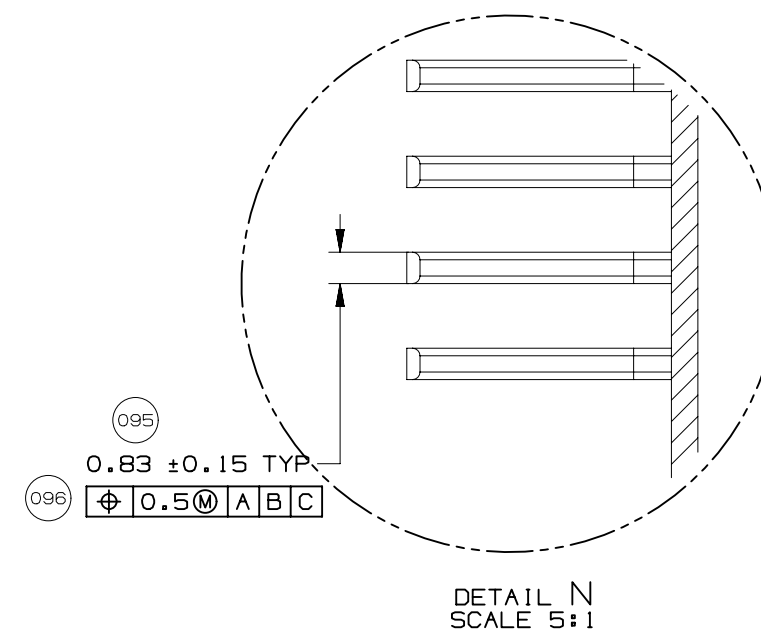
DWG STATUS			PAGE NUMBER	
ST	REV	PD1		
R	001		17	OF 22



SECTION K-K

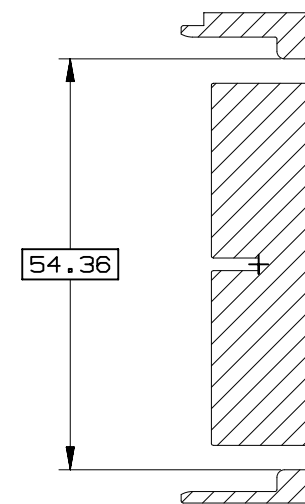
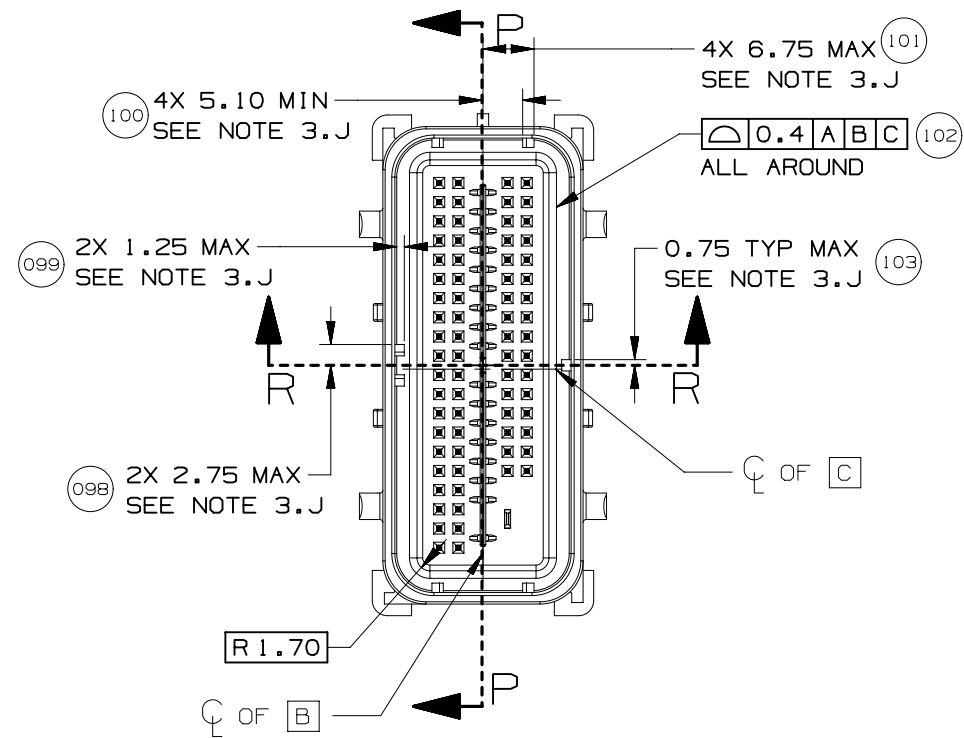


SECTION AD-AD

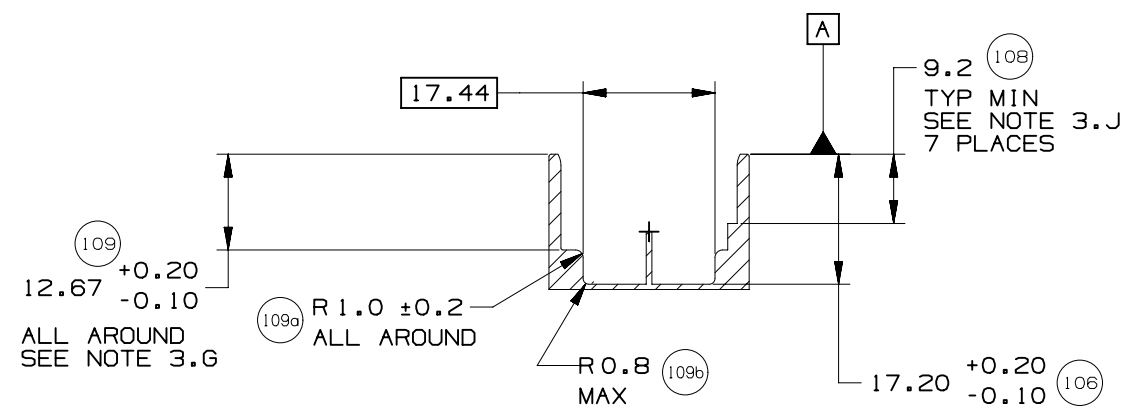


DETAIL N  
SCALE 5:1





SECTION P-P



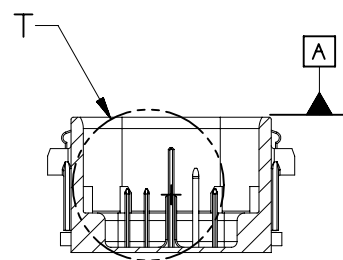
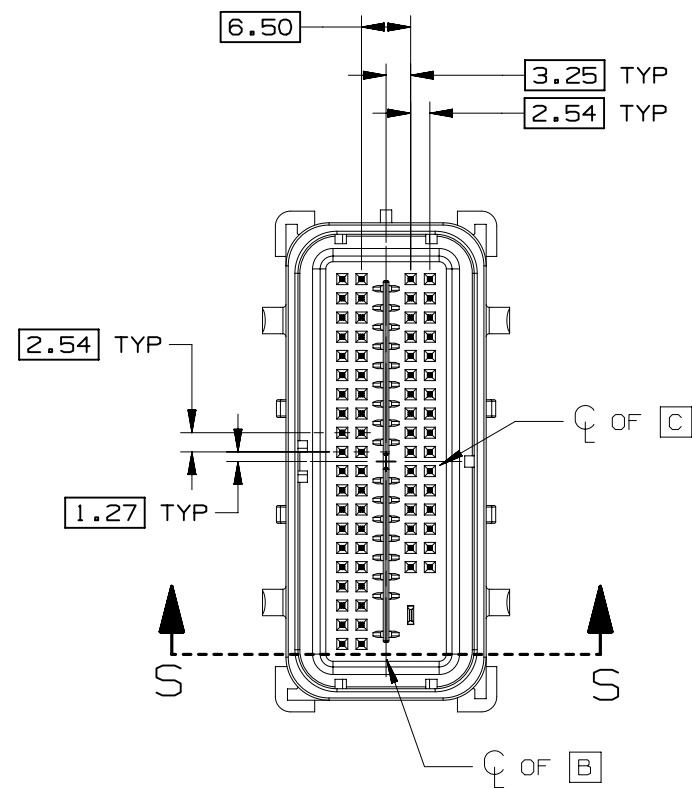
SECTION R-R



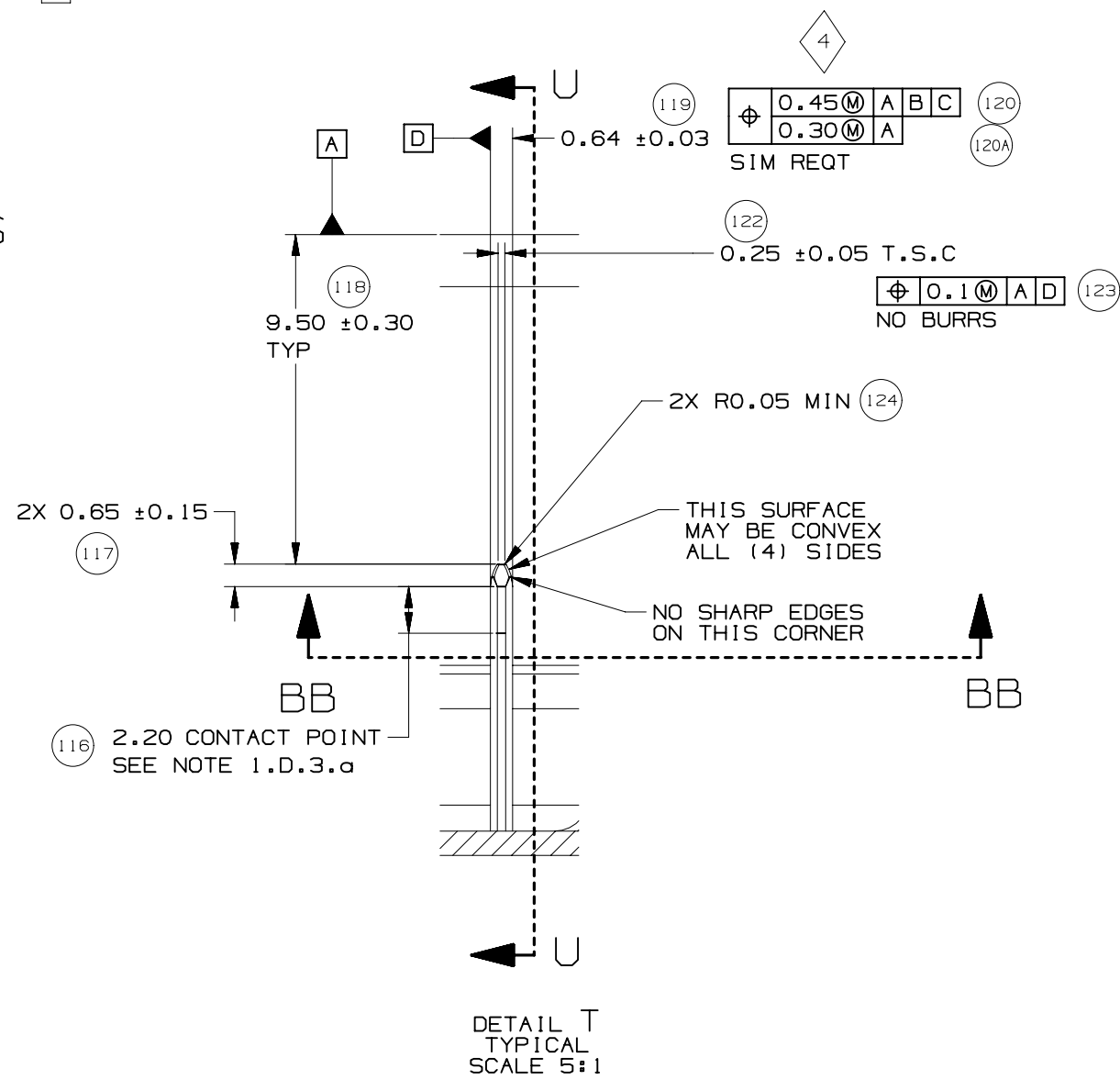
PAGE TITLE  
COMPONENT CONNECTOR INTERFACE

DRAWING NUMBER  
12672833

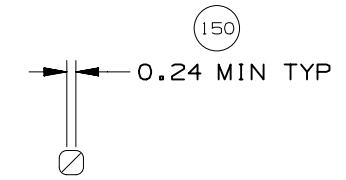
DWG STATUS			PAGE NUMBER	
ST	REV	PD1	19	OF 22
R	001			



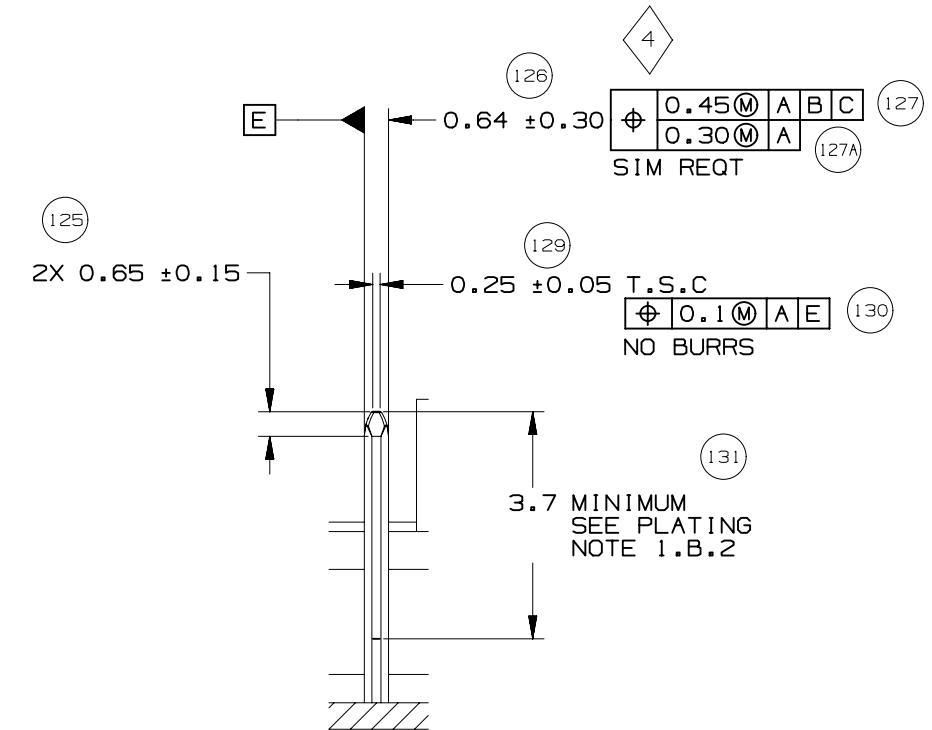
SECTION S-S



DETAIL T  
TYPICAL  
SCALE 5:1



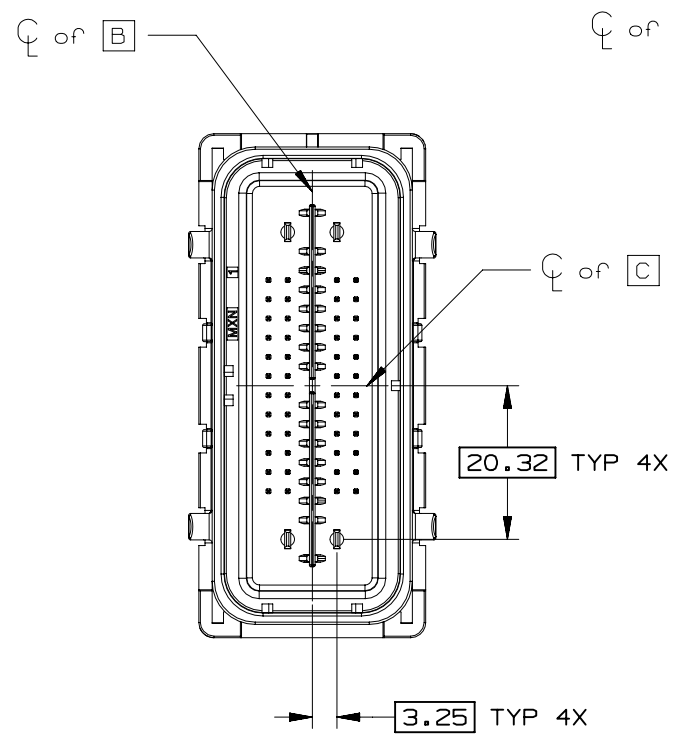
SECTION BB-BB



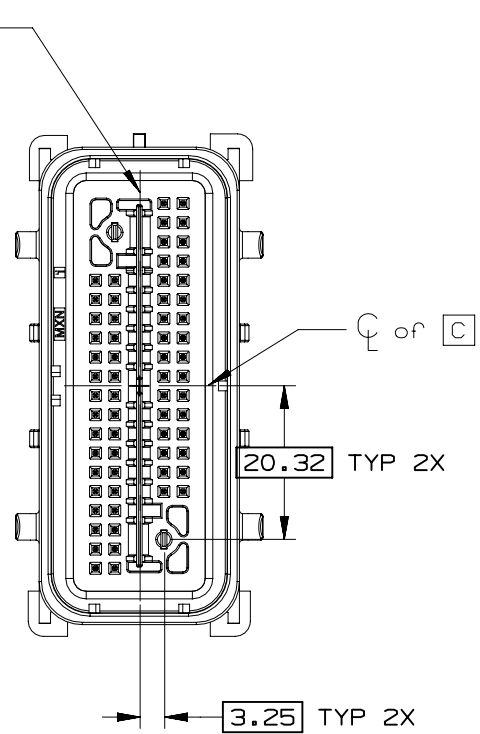
SECTION U-U  
TYPICAL



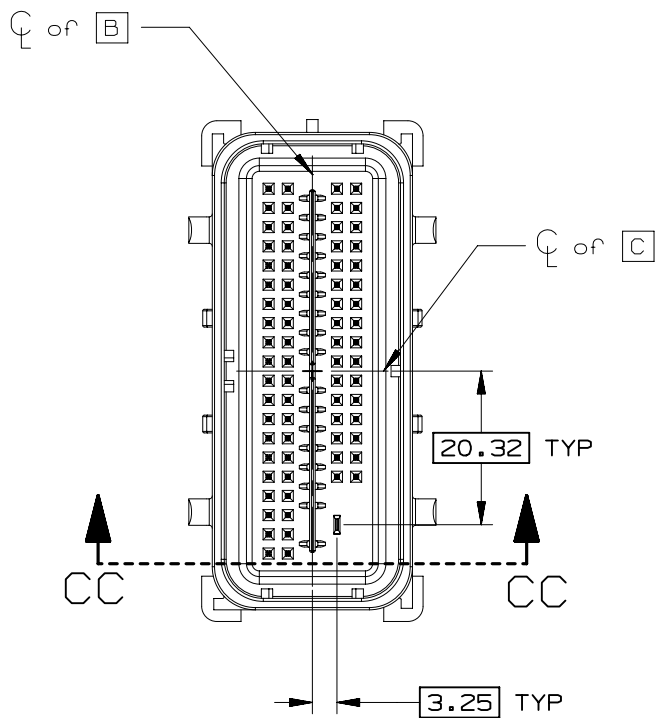




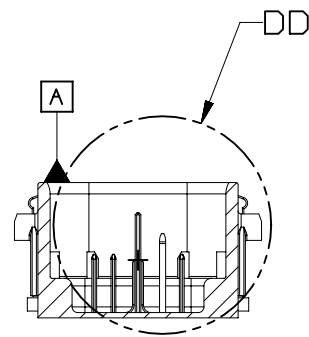
52 CKT COMPONENT  
CONNECTOR INTERFACE



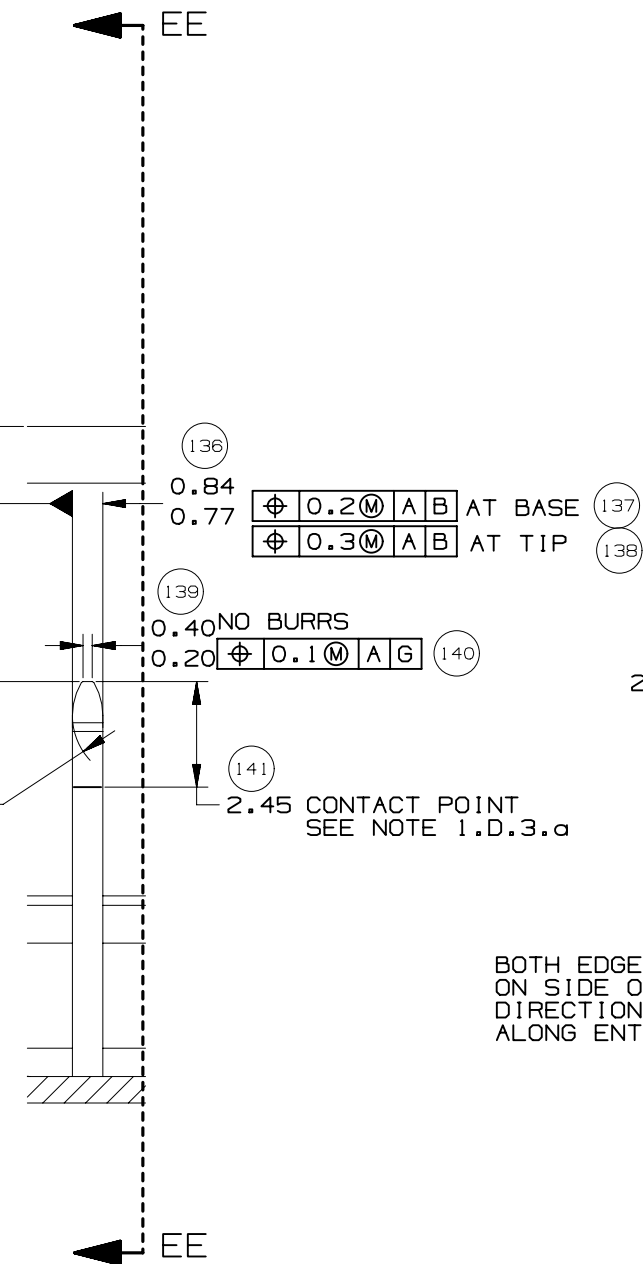
66 CKT COMPONENT  
CONNECTOR INTERFACE



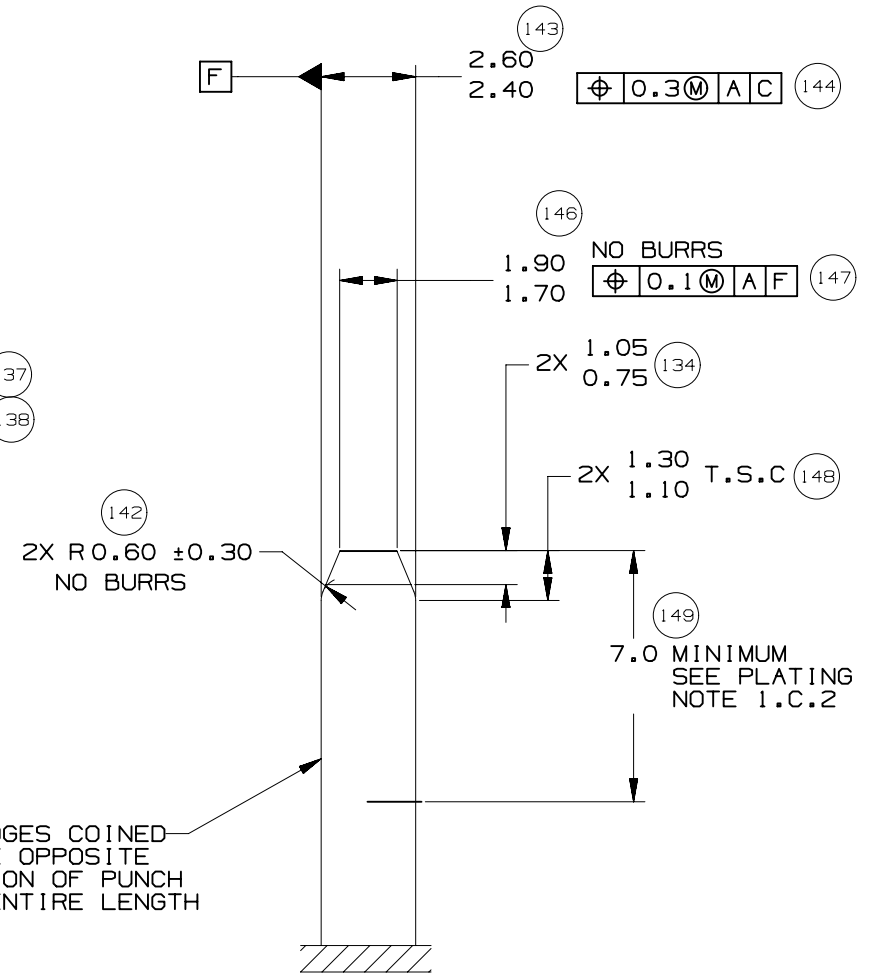
73 CKT COMPONENT  
CONNECTOR INTERFACE



SECTION CC-CC



DETAIL DD  
TYPICAL  
SCALE 5:1



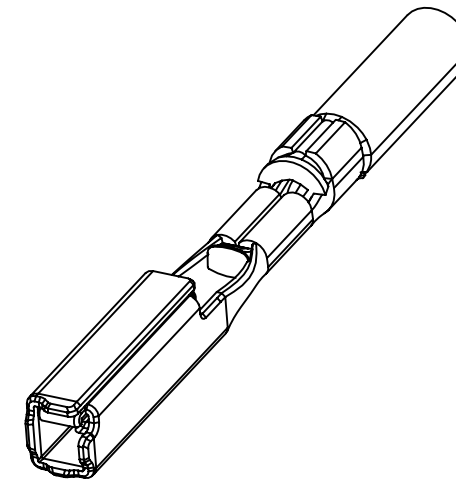
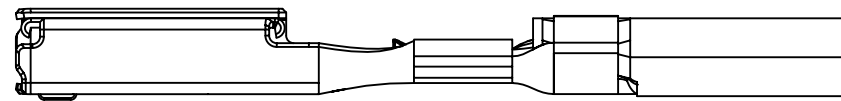
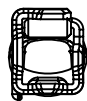
SECTION EE-EE  
TYPICAL

BOTH EDGES COINED  
ON SIDE OPPOSITE  
DIRECTION OF PUNCH  
ALONG ENTIRE LENGTH



MOLEX MX64 RECEPTACLE TERMINAL INFORMATION

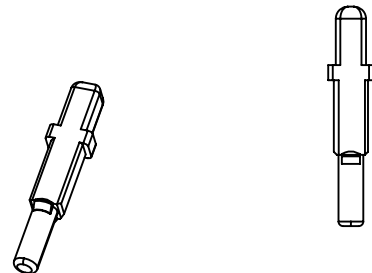
ITEM	MOLEX P/N	GM P/N	WIRE SIZE MM2	TYPE	PLATING	REEL WIND DIRECTION	COMMENTS
1	34736-0025		0.35	ISO	SILVER	LEFT	
2	34736-0026	12672850	0.35	ISO	SILVER	RIGHT	
3	34736-0027		0.5 / 0.75	ISO	SILVER	LEFT	
4	34736-0028	12672851	0.5 / 0.75	ISO	SILVER	RIGHT	



CAVITY PLUGS

ITEM	MFG	MFG P/N	GM P/N RD	SIZE	COLOR	MFG DRAWING	PROD SPEC	APP SPEC	COMMENTS
1	MOLEX	34586-0001	12674820	0.64	NATURAL	SD-34586-001	PS-34566-0000	AS-34566-001	
2	YAZAKI	7158-3114-90	12674821	2.8	BLUE	7158-3114-90	YPES-11-04-062	YPES-15-299	

ITEM 1



ITEM 2

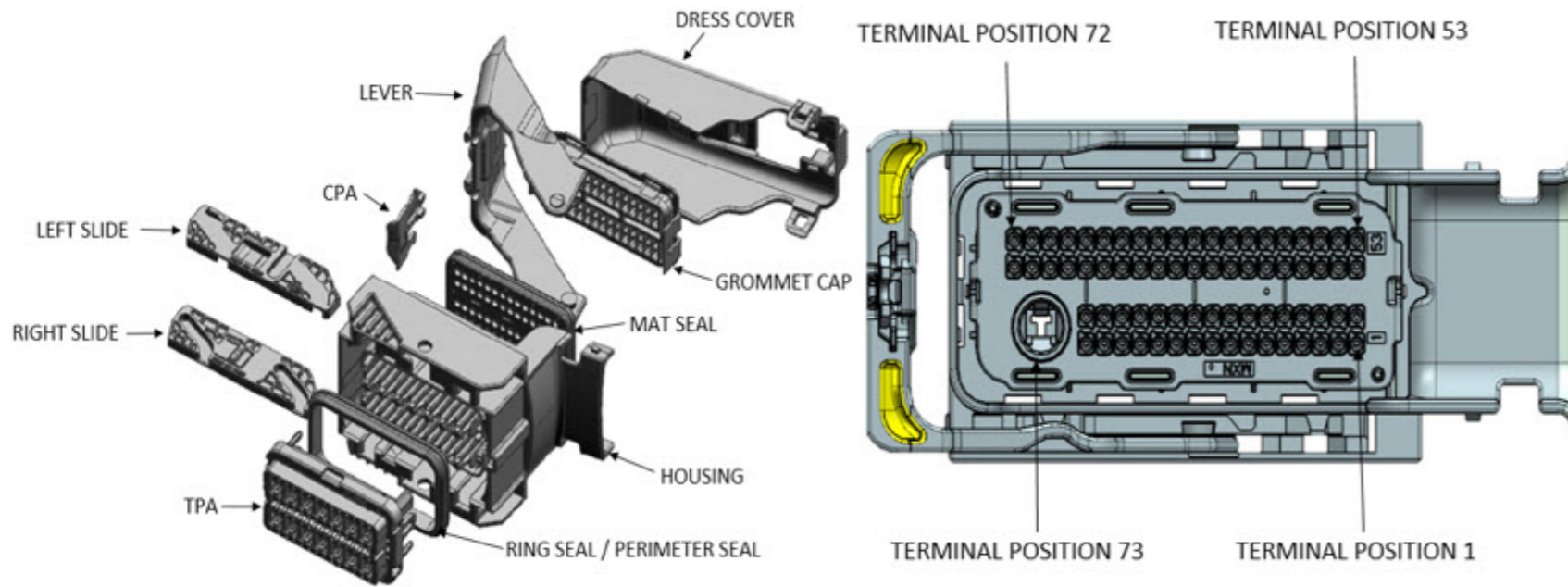


PAGE TITLE  
ADDITIONAL COMPONENTS REQUIRED

DRAWING NUMBER  
12672833

DWG STATUS		
ST	REV	PD1
R	001	

PAGE NUMBER  
22 OF 22



ABBREVIATION	DESCRIPTION	COLOR	MATERIAL
G-CAP-0-P	GROMMET CAP OPTION 0 PLUGGED	BLACK	SPS/PA, G.F 30%
G-CAP-0-O	GROMMET CAP OPTION 0 ALL OPEN	BLACK	SPS/PA, G.F 30%
G-CAP-9-P	GROMMET CAP OPTION 9 PLUGGED	BLACK	SPS/PA, G.F 30%
G-CAP-9-O	GROMMET CAP OPTION 9 ALL OPEN	BLACK	SPS/PA, G.F 30%
C-HSG-A0	CONNECTOR HOUSING KEY A - WDC OPT 0	BLACK	SPS/PA, G.F 30%
C-HSG-B0	CONNECTOR HOUSING KEY B - WDC OPT 0	BLACK	SPS/PA, G.F 30%
C-HSG-C0	CONNECTOR HOUSING KEY C - WDC OPT 0	BLACK	SPS/PA, G.F 30%
C-HSG-D0	CONNECTOR HOUSING KEY D - WDC OPT 0	BLACK	SPS/PA, G.F 30%
C-HSG-E0	CONNECTOR HOUSING KEY E - WDC OPT 0	BLACK	SPS/PA, G.F 30%
C-HSG-F0	CONNECTOR HOUSING KEY F - WDC OPT 0	BLACK	SPS/PA, G.F 30%
C-HSG-A9	CONNECTOR HOUSING KEY A - WDC OPT 9	BLACK	SPS/PA, G.F 30%
C-HSG-B9	CONNECTOR HOUSING KEY B - WDC OPT 9	BLACK	SPS/PA, G.F 30%
C-HSG-C9	CONNECTOR HOUSING KEY C - WDC OPT 9	BLACK	SPS/PA, G.F 30%
C-HSG-D9	CONNECTOR HOUSING KEY D - WDC OPT 9	BLACK	SPS/PA, G.F 30%
C-HSG-E9	CONNECTOR HOUSING KEY E - WDC OPT 9	BLACK	SPS/PA, G.F 30%
C-HSG-F9	CONNECTOR HOUSING KEY F - WDC OPT 9	BLACK	SPS/PA, G.F 30%
TPA-A0	TERMINAL POSITION ASSURANCE (TPA) OPTION 0	BLACK	SPS/PA, G.F 30%
TPA-B0	TERMINAL POSITION ASSURANCE (TPA) OPTION 0	STONE GRAY	SPS/PA, G.F 30%
TPA-C0	TERMINAL POSITION ASSURANCE (TPA) OPTION 0	BLUE	SPS/PA, G.F 30%
TPA-D0	TERMINAL POSITION ASSURANCE (TPA) OPTION 0	BROWN	SPS/PA, G.F 30%
TPA-E0	TERMINAL POSITION ASSURANCE (TPA) OPTION 0	GREEN	SPS/PA, G.F 30%
TPA-F0	TERMINAL POSITION ASSURANCE (TPA) OPTION 0	NATURAL	SPS/PA, G.F 30%
TPA-A0-1	TERMINAL POSITION ASSURANCE (TPA) OPTION 0	BLACK	SPS/PA, G.F 30%
TPA-B0-1	TERMINAL POSITION ASSURANCE (TPA) OPTION 0	STONE GRAY	SPS/PA, G.F 30%
TPA-C0-1	TERMINAL POSITION ASSURANCE (TPA) OPTION 0	BLUE	SPS/PA, G.F 30%
TPA-A9	TERMINAL POSITION ASSURANCE (TPA) OPTION 9	BLACK	SPS/PA, G.F 30%
TPA-B9	TERMINAL POSITION ASSURANCE (TPA) OPTION 9	STONE GRAY	SPS/PA, G.F 30%
TPA-C9	TERMINAL POSITION ASSURANCE (TPA) OPTION 9	BLUE	SPS/PA, G.F 30%
TPA-D9	TERMINAL POSITION ASSURANCE (TPA) OPTION 9	BROWN	SPS/PA, G.F 30%
TPA-E9	TERMINAL POSITION ASSURANCE (TPA) OPTION 9	GREEN	SPS/PA, G.F 30%
TPA-F9	TERMINAL POSITION ASSURANCE (TPA) OPTION 9	NATURAL	SPS/PA, G.F 30%
MAL	MATE ASSIST LEVER	BLACK	SPS/NYLON GF30
RS	SLIDE - RIGHT	BLACK	PBT W/PTFE, G.F. 30%
LS	SLIDE - LEFT	BLACK	PBT W/PTFE, G.F. 30%
CVRBLACK	DRESS COVER BLACK	BLACK	PBT, G.F. 30%
CVRGRAY	DRESS COVER GRAY	GRAY	PBT, G.F. 30%
CVRBLUE	DRESS COVER BLUE	BLUE	PBT, G.F. 30%
CVRBROWN	DRESS COVER BROWN	BROWN	PBT, G.F. 30%
CVRGREEN	DRESS COVER GREEN	GREEN	PBT, G.F. 30%
CVRNATURAL	DRESS COVER NATURAL	NATURAL	PBT, G.F. 30%
CVRYELLOW	DRESS COVER YELLOW	YELLOW	PBT, G.F. 30%
CPA	CONNECTOR POSITION ASSURANCE (CPA)	RED	PPE/PA 10% GF
MSEAL	MAT SEAL	RUST RED	INHERENTLY LUBRICATED SILICONE RUBBER
RSEAL	RING SEAL	RUST RED	INHERENTLY LUBRICATED SILICONE RUBBER

FOR ADDITIONAL INFORMATION SEE SD-34566-001

ASSEMBLY DESCRIPTION	ASSEMBLY PART NUMBER	CONNECTOR HOUSING	GROMMET CAP	TPA	RIGHT SLIDE	LEFT SLIDE	MATE ASSIST LEVER	CPA	MAT SEAL	RING SEAL	BLOCKED TERMINALS																STATUS	COMMENTS	INTEGRAL COMPONENTS SOLD SEPARATELY										
											CAVITY WITH A NUMBER INDICATES BLOCKED TERMINAL POSITION CAVITY WITHOUT A NUMBER INDICATES OPEN TERMINAL POSITION																												
											DRESS COVER																												
MX123 CONN ASSY 73 CKT BLK OPT0 KEY A/54	345660004	C-HSG-A0	G-CAP-0-P	TPA-A0	RS	LS	MAL	CPA	MSEAL	RSEAL	-	-	-	-	68	-	66	65	-	-	62	-	-	-	58	-	-	-	-	-									
											-	-	50	49	-	47	46	-	-	42	-	-	-	-	-	-	-	-	-	-	-	-	-	-	-	-	-	-	
											-	-	-	-	-	-	-	-	28	-	-	-	24	23	-	21	20	-	-	17	-	-	-	-	-	-	-	-	-
											-	-	-	-	-	-	-	-	-	-	-	-	-	-	-	-	4	3	-	-	-	-	-	-	-	-	-	-	-
MX123 CONN ASSY 73 CKT BLK OPT0 KEY A/52	345660044	C-HSG-A0	G-CAP-0-P	TPA-A0	RS	LS	MAL	CPA	MSEAL	RSEAL	-	-	-	-	68	-	66	65	-	63	62	-	-	-	58	-	-	-	-	-									
											-	-	50	49	-	47	46	-	-	42	-	-	-	-	-	-	-	-	-	-	-	-	-	-	-	-	-		
											-	-	-	-	-	-	-	-	28	-	-	-	24	23	-	21	20	-	-	17	-	-	-	-	-	-	-	-	-
											-	-	-	-	-	-	-	-	-	-	-	-	-	-	-	-	-	4	-	-	1	-	-	-	-	-	-	-	-
MX123 CONN ASSY 73 CKT BLK OPT0 KEY A/53	345660064	C-HSG-A0	G-CAP-0-P	TPA-A0	RS	LS	MAL	CPA	MSEAL	RSEAL	-	-	-	-	68	-	66	65	-	-	62	-	-	-	58	-	-	-	-	-									
											-	-	50	49	-	47	46	-	-	42	-	-	-	-	-	-	-	-	-	-	-	-	-	-	33	-	-	-	
											-	-	-	-	-	-	-	-	28	-	-	-	24	23	-	21	20	-	-	17	-	-	-	-	-	-	-	-	-
											-	-	-	-	-	-	-	-	-	-	-	-	-	-	-	-	-	4	3	-	-	-	-	-	-	-	-	-	-

ASSEMBLY DESCRIPTION	ASSEMBLY PART NUMBER	CONNECTOR HOUSING	GROMMET CAP	TPA	RIGHT SLIDE	LEFT SLIDE	MATE ASSIST LEVER	CPA	MAT SEAL	RING SEAL	BLOCKED TERMINALS																		STATUS	COMMENTS	INTEGRAL COMPONENTS SOLD SEPARATELY				
											CAVITY WITH A NUMBER INDICATES BLOCKED TERMINAL POSITION CAVITY WITHOUT A NUMBER INDICATES OPEN TERMINAL POSITION																				DRESS COVER				
MX123 CONN ASSY 73 CKT BLK OPT0 KEY A/48	345660084	C-HSG-A0	G-CAP-0-P	TPA-A0	RS	LS	MAL	CPA	MSEAL	RSEAL	72	71	-	-	68	-	66	65	-	63	62	-	-	-	58	-	-	-	-	-					
											-	-	50	49	-	47	46	-	-	43	42	-	-	-	-	-	-	-	-	-	-	-	-	-	-
											-	-	-	-	32	-	-	-	28	-	-	-	24	23	-	21	20	-	18	17	-	-	-	-	-
MX123 CONN ASSY 73 CKT GRY OPT0 KEY B/61	345660094	C-HSG-B0	G-CAP-0-P	TPA-B0	RS	LS	MAL	CPA	MSEAL	RSEAL	-	-	-	-	-	-	66	-	-	-	-	-	-	-	58	-	-	-	-	-					
											-	-	-	-	-	-	-	-	-	-	-	41	-	-	38	37	-	-	-	-	-	-	-	-	-
											-	-	-	-	-	-	-	-	-	-	-	-	-	-	-	20	19	18	17	-	-	-	-	-	-
MX123 CONN ASSY 73 CKT BLK OPT0 KEY A/73	345660103	C-HSG-A0	G-CAP-0-P	TPA-A0	RS	LS	MAL	CPA	MSEAL	RSEAL	-	-	-	-	-	-	-	-	-	-	-	-	-	-	-	-	-	-	-						
											-	-	-	-	-	-	-	-	-	-	-	-	-	-	-	-	-	-	-	-	-	-	-	-	-
											-	-	-	-	-	-	-	-	-	-	-	-	-	-	-	-	-	-	-	-	-	-	-	-	-
MX123 CONN ASSY 73 CKT GRY OPT0 KEY B/58	345660104	C-HSG-B0	G-CAP-0-P	TPA-B0	RS	LS	MAL	CPA	MSEAL	RSEAL	-	-	-	-	-	-	66	-	-	-	-	-	-	-	58	-	-	-	-	-					
											52	51	-	-	-	-	-	45	-	-	-	41	-	-	38	37	-	-	-	-	-	-	-	-	-
											-	-	-	-	-	-	-	-	-	-	-	-	-	-	-	20	19	18	17	-	-	-	-	-	-
MX123 CONN ASSY 73 CKT GRY OPT0 KEY B/46	345660114	C-HSG-B0	G-CAP-0-P	TPA-B0	RS	LS	MAL	CPA	MSEAL	RSEAL	-	-	-	-	68	67	66	65	-	-	62	-	60	59	-	-	-	-	54	53					
											-	-	-	-	48	47	46	45	44	-	42	41	40	39	-	-	-	35	34	-	-	-	-	-	-
											-	-	-	-	31	-	-	-	27	-	-	-	-	-	-	-	-	19	18	17	-	-	-	-	-
MX123 CONN ASSY 73 CKT GRY OPT0 KEY B/26	345660124	C-HSG-B0	G-CAP-0-P	TPA-B0	RS	LS	MAL	CPA	MSEAL	RSEAL	-	71	70	69	68	67	66	65	64	63	-	-	-	-	58	57	56	-	54	53					
											-	51	50	49	-	-	-	45	44	43	42	41	-	39	38	37	36	35	34	-	-	-	-	-	-
											-	-	-	-	32	31	-	29	28	27	26	25	24	23	-	-	-	-	-	-	-	-	-	-	-
MX123 CONN ASSY 73 CKT GRY OPT0 KEY B/30	345660134	C-HSG-B0	G-CAP-0-P	TPA-B0	RS	LS	MAL	CPA	MSEAL	RSEAL	-	71	70	69	68	67	66	65	64	63	-	-	-	-	58	57	56	-	54	53					
											-	51	50	49	-	-	-	45	44	43	42	-	-	39	-	-	-	-	34	33	-	-	-	-	-
											-	-	-	-	32	31	-	29	28	27	26	25	24	23	-	-	-	-	-	-	-	-	-	-	-
MX123 CONN ASSY 73 CKT GRY OPT9 KEY B/14	345660144	C-HSG-B9	G-CAP-9-P	TPA-B9	RS	LS	MAL	CPA	MSEAL	RSEAL	72	71	70	69	68	67	-	65	64	63	62	61	60	59	-	57	56	55	54	53					
											52	51	50	49	48	47	46	45	44	43	42	-	40	39	-	-	36	35	34	33	-	-	-	-	-
											-	-	-	-	32	31	30	29	28	27	26	25	24	23	22	21	-	-	-	-	-	-	-	-	-
MX123 CONN ASSY 73 CKT GRY OPT9 KEY B/62	345660154	C-HSG-B9	G-CAP-9-P	TPA-B9	RS	LS	MAL	CPA	MSEAL	RSEAL	-	-	-	-	-	-	-	-	-	-	-	-	-	-	58	-	-	-	-	-					
											-	-	-	-	-	-	-	-	-	-	-	-	-	41	-	-	38	37	-	-	-	-	-	-	-
											-	-	-	-	-	-	-	-	-	-	-	-	-	-	-	-	20	19	18	17	-	-	-	-	-
MX123 CONN ASSY 73 CKT GRY OPT9 KEY B/34	345660174	C-HSG-B9	G-CAP-9-P	TPA-B9	RS	LS	MAL	CPA	MSEAL	RSEAL	-	-	-	69	68	-	-	65	64	63	62	61	-	59	58	-	56	55	54	-					
											-	-	-	49	48	-	-	45	44	43	42	41	40	-	38	-	36	-	34	-	-	-	-	-	-
											-	-	-	-	32	31	-	-	-	27	26	-	-	-	-	21	-	-	18	-	-	-	-	-	-
MX123 CONN ASSY 73 CKT GRY OPT9 KEY B/52	345660184	C-HSG-B9	G-CAP-9-P	TPA-B9	RS	LS	MAL	CPA	MSEAL	RSEAL	-	-	-	-	-	-	-	-	-	-	62	-	60	59	-	-	-	-	-	-					
											-	-	-	-	-	-	-	-	-	-	-	-	-	39	38	-	-	35	34	33	-	-	-	-	-
											-	-	-	-	-	31	-	-	-	27	-	-	-	23	22	-	20	19	18	17	-	-	-	-	-
MX123 CONN ASSY 73 CKT BLU OPT0 KEY C/40	345660194	C-HSG-C0	G-CAP-0-P	TPA-C0	RS	LS	MAL	CPA	MSEAL	RSEAL	-	-	-	-	68	-	-	-	-	63	62	61	60	59	58	57	-	55	54	53					
											-	-	-	-	48	-	-	-	-	43	42	41	40	-	38	37	36	35	34	33	-	-	-	-	-
											-	-	-	-	32	-	-	29	-	27	-	-	-	-	-	-	-	19	18	17	-	-	-	-	-



MX123 SEALED RCPT ASSY (73 Ckt)  
BOM & PIN OUT SHEET

ASSEMBLY DESCRIPTION	ASSEMBLY PART NUMBER	CONNECTOR HOUSING	GROMMET CAP	TPA	RIGHT SLIDE	LEFT SLIDE	MATE ASSIST LEVER	CPA	MAT SEAL	RING SEAL	BLOCKED TERMINALS																		STATUS	COMMENTS	INTEGRAL COMPONENTS SOLD SEPARATELY										
											CAVITY WITH A NUMBER INDICATES BLOCKED TERMINAL POSITION																				DRESS COVER										
											CAVITY WITHOUT A NUMBER INDICATES OPEN TERMINAL POSITION																														
MX123 CONN ASSY 73 CKT GRY OPT0 KEY B/73	345660203	C-HSG-B0	G-CAP-0-P	TPA-B0	RS	LS	MAL	CPA	MSEAL	RSEAL	-	-	-	-	-	-	-	-	-	-	-	-	-	-	-	-	-	-	SALEABLE		345650003										
											-	-	-	-	-	-	-	-	-	-	-	-	-	-	-	-	-	-				-	-	-	-	-	-	-	-	-	-
											-	-	-	-	-	-	-	-	-	-	-	-	-	-	-	-	-	-				-	-	-	-	-	-	-	-	-	-
MX123 CONN ASSY 73 CKT BLU OPT0 KEY C/36	345660204	C-HSG-C0	G-CAP-0-P	TPA-C0	RS	LS	MAL	CPA	MSEAL	RSEAL	72	-	-	69	68	-	66	65	-	63	62	-	-	59	58	-	56	55	-	53	SALEABLE		345650003								
											52	-	-	49	-	-	46	-	43	42	-	40	39	38	-	36	35	-	-	-				-	-	-	-	-	-	-	
											-	-	-	-	-	31	30	29	-	-	26	-	24	23	22	21	20	19	18	-				-	-	-	-	-	-	-	-
MX123 CONN ASSY 73 CKT GRY OPT0 KEY B/23	345660214	C-HSG-B0	G-CAP-0-P	TPA-B0	RS	LS	MAL	CPA	MSEAL	RSEAL	-	71	70	69	68	67	66	65	64	63	-	-	-	-	58	57	56	-	54	53	SALEABLE		345650003								
											-	51	50	49	48	47	-	45	44	43	42	-	-	39	38	37	36	35	34	33				-	-	-	-	-	-		
											-	-	-	-	32	31	30	29	28	27	26	-	24	23	-	-	-	-	-	-				-	17	-	-	-	-	-	-
MX123 CONN ASSY 73 CKT GRY OPT9 KEY B/65	345660224	C-HSG-B9	G-CAP-9-P	TPA-B9	RS	LS	MAL	CPA	MSEAL	RSEAL	-	-	-	-	-	-	66	-	-	-	62	-	-	-	-	-	-	-	SALEABLE		345650003										
											-	-	-	-	-	-	-	-	45	-	-	-	41	-	-	-	-	-				-	-	-	-	-	-	-	-	-	
											-	-	-	-	-	-	-	-	-	-	-	-	-	-	-	-	-	-				-	-	-	-	19	18	17	-	-	-
MX123 CONN ASSY 73 CKT BLK OPT0 KEY A/49	345660234	C-HSG-A0	G-CAP-0-P	TPA-A0	RS	LS	MAL	CPA	MSEAL	RSEAL	-	-	-	-	-	67	-	-	-	63	62	-	-	59	58	-	-	55	-	SALEABLE		345650003									
											-	-	-	-	-	47	-	-	-	-	-	41	-	-	-	-	-	35	-				-	-	-	-	-	-	-		
											-	-	-	-	32	-	-	-	-	27	26	25	24	-	-	-	-	-	19				18	17	-	-	-	-	-	-	-
MX123 CONN ASSY 73 CKT BLK OPT9 KEY A/34	345660244	C-HSG-A9	G-CAP-9-P	TPA-A9	RS	LS	MAL	CPA	MSEAL	RSEAL	-	-	-	69	68	-	-	65	64	63	62	61	-	59	58	-	56	55	54	-	SALEABLE		345650003								
											-	-	-	49	48	-	-	45	44	43	42	41	40	-	38	-	36	-	34	-				-	-	-	-	-	-	-	
											-	-	-	-	32	31	-	-	-	27	26	-	-	-	-	21	-	-	18	-				-	-	-	-	-	-	-	-
MX123 CONN ASSY 73 CKT GRY OPT0 KEY B/49	345660254	C-HSG-B0	G-CAP-0-P	TPA-B0	RS	LS	MAL	CPA	MSEAL	RSEAL	-	-	-	-	-	-	-	-	-	-	62	-	60	59	-	-	-	54	53	SALEABLE		345650003									
											-	-	-	-	-	-	-	-	-	-	42	41	-	39	38	-	-	-	34				33	-	-	-	-	-	-	-	
											-	-	-	-	-	31	-	-	-	27	-	-	-	23	22	-	20	-	18				17	-	-	-	-	-	-	-	-
MX123 CONN ASSY 73 CKT BLK OPT9 KEY A/40	345660264	C-HSG-A9	G-CAP-9-P	TPA-A9	RS	LS	MAL	CPA	MSEAL	RSEAL	-	-	-	69	68	-	-	-	-	-	-	-	60	-	58	57	56	-	-	-	SALEABLE		345650003								
											-	-	-	49	48	-	-	-	-	-	-	-	40	-	38	-	-	-	-	-				-	-	-	-	-	-	-	
											-	-	-	-	32	31	-	-	28	27	26	25	24	23	22	21	20	19	-	-				-	-	-	-	-	-	-	-
MX123 CONN ASSY 73 CKT GRY OPT9 KEY B/52	345660274	C-HSG-B9	G-CAP-9-P	TPA-B9	RS	LS	MAL	CPA	MSEAL	RSEAL	-	-	-	-	-	-	-	-	-	-	62	-	60	59	-	-	-	-	-	SALEABLE		345650003									
											-	-	-	-	-	-	-	-	-	-	42	-	40	39	-	-	-	35	34				33	-	-	-	-	-	-	-	
											-	-	-	-	-	31	-	-	-	27	-	-	-	23	22	-	20	-	18				17	-	-	-	-	-	-	-	-
MX123 CONN ASSY 73 CKT BLK OPT9 KEY A/29	345660284	C-HSG-A9	G-CAP-9-P	TPA-A9	RS	LS	MAL	CPA	MSEAL	RSEAL	-	-	-	69	68	-	-	65	64	63	62	61	60	59	58	-	56	55	54	-	SALEABLE		345650003								
											-	-	-	49	48	-	-	45	44	43	42	41	40	-	-	-	36	-	34	-				-	-	-	-	-	-	-	
											-	-	-	-	32	31	-	-	-	27	26	25	24	23	22	21	20	19	18	-				-	-	-	-	-	-	-	-
MX123 CONN ASSY 73 CKT GRY OPT0 KEY B/48	345660294	C-HSG-B0	G-CAP-0-P	TPA-B0	RS	LS	MAL	CPA	MSEAL	RSEAL	-	-	-	-	-	-	-	-	-	-	-	62	-	60	59	-	-	-	54	53	SALEABLE		345650003								
											-	-	-	-	-	-	-	-	-	-	-	42	41	-	39	38	-	-	35	34				33	-	-	-	-	-	-	
											-	-	-	-	-	31	-	-	-	27	-	-	-	23	22	-	20	-	18	17				-	-	-	-	-	-	-	-
MX123 CONN ASSY 73 CKT BLU OPT0 KEY C/73	345660303	C-HSG-C0	G-CAP-0-P	TPA-C0	RS	LS	MAL	CPA	MSEAL	RSEAL	-	-	-	-	-	-	-	-	-	-	-	-	-	-	-	-	-	-	SALEABLE		345650003										
											-	-	-	-	-	-	-	-	-	-	-	-	-	-	-	-	-	-				-	-	-	-	-	-	-	-	-	
											-	-	-	-	-	-	-	-	-	-	-	-	-	-	-	-	-	-				-	-	-	-	-	-	-	-	-	-

ASSEMBLY DESCRIPTION	ASSEMBLY PART NUMBER	CONNECTOR HOUSING	GROMMET CAP	TPA	RIGHT SLIDE	LEFT SLIDE	MATE ASSIST LEVER	CPA	MAT SEAL	RING SEAL	BLOCKED TERMINALS																	STATUS	COMMENTS	INTEGRAL COMPONENTS SOLD SEPARATELY																			
											CAVITY WITH A NUMBER INDICATES BLOCKED TERMINAL POSITION																			DRESS COVER																			
											CAVITY WITHOUT A NUMBER INDICATES OPEN TERMINAL POSITION																																						
MX123 CONN ASSY 73 CKT GRY OPT9 KEY B/53	345660304	C-HSG-B9	G-CAP-9-P	TPA-B9	RS	LS	MAL	CPA	MSEAL	RSEAL	-	-	-	-	-	-	-	-	-	-	-	-	62	-	60	59	-	-	-	-	-	-	-	-	-	-	-												
											-	-	-	-	-	-	-	-	-	-	-	-	-	-	-	-	-	-	-	-	-	-	-	-	-	-	39	38	-	-	35	34	-						
											-	-	-	-	-	-	-	-	-	-	-	-	-	-	-	-	-	-	-	-	-	-	-	-	-	-	-	-	23	22	-	20	19	18	17				
MX123 CONN ASSY 73 CKT GRY OPT9 KEY B/61	345660314	C-HSG-B9	G-CAP-9-P	TPA-B9	RS	LS	MAL	CPA	MSEAL	RSEAL	-	-	-	-	-	-	-	-	-	-	-	-	-	-	-	-	-	-	-	-	-	-	-	-	-	-	-	-											
											-	-	-	-	-	-	-	-	-	-	-	-	-	-	-	-	-	-	-	-	-	-	-	-	-	-	-	-	-	-	-	-	-	-					
											-	-	-	-	-	-	-	-	-	-	-	-	-	-	-	-	-	-	-	-	-	-	-	-	-	-	-	-	-	-	-	-	-	-	-				
MX123 CONN ASSY 73 CKT GRY OPT9 KEY B/43	345660324	C-HSG-B9	G-CAP-9-P	TPA-B9	RS	LS	MAL	CPA	MSEAL	RSEAL	-	-	-	-	-	-	-	-	-	-	-	-	-	-	-	-	-	-	-	-	-	-	-	-	-	-	-	-	-										
											-	-	-	-	-	-	-	-	-	-	-	-	-	-	-	-	-	-	-	-	-	-	-	-	-	-	-	-	-	-	-	-	-	-	-				
											-	-	-	-	-	-	-	-	-	-	-	-	-	-	-	-	-	-	-	-	-	-	-	-	-	-	-	-	-	-	-	-	-	-	-	-			
MX123 CONN ASSY 73 CKT GRY OPT0 KEY B/50	345660334	C-HSG-B0	G-CAP-0-P	TPA-B0	RS	LS	MAL	CPA	MSEAL	RSEAL	-	-	-	-	-	-	-	-	-	-	-	-	-	-	-	-	-	-	-	-	-	-	-	-	-	-	-	-	-	-									
											-	-	-	-	-	-	-	-	-	-	-	-	-	-	-	-	-	-	-	-	-	-	-	-	-	-	-	-	-	-	-	-	-	-	-	-			
											-	-	-	-	-	-	-	-	-	-	-	-	-	-	-	-	-	-	-	-	-	-	-	-	-	-	-	-	-	-	-	-	-	-	-	-	-		
MX123 CONN ASSY 73 CKT GRY OPT0 KEY B/68	345660344	C-HSG-B0	G-CAP-0-P	TPA-B0	RS	LS	MAL	CPA	MSEAL	RSEAL	-	-	-	-	-	-	-	-	-	-	-	-	-	-	-	-	-	-	-	-	-	-	-	-	-	-	-	-	-	-	-								
											-	-	-	-	-	-	-	-	-	-	-	-	-	-	-	-	-	-	-	-	-	-	-	-	-	-	-	-	-	-	-	-	-	-	-	-	-		
											-	-	-	-	-	-	-	-	-	-	-	-	-	-	-	-	-	-	-	-	-	-	-	-	-	-	-	-	-	-	-	-	-	-	-	-	-	-	
MX123 CONN ASSY 73 CKT GRY OPT0 KEY B/54	345660354	C-HSG-B0	G-CAP-0-P	TPA-B0	RS	LS	MAL	CPA	MSEAL	RSEAL	-	-	-	-	-	-	-	-	-	-	-	-	-	-	-	-	-	-	-	-	-	-	-	-	-	-	-	-	-	-	-	-							
											-	-	-	-	-	-	-	-	-	-	-	-	-	-	-	-	-	-	-	-	-	-	-	-	-	-	-	-	-	-	-	-	-	-	-	-	-	-	
											-	-	-	-	-	-	-	-	-	-	-	-	-	-	-	-	-	-	-	-	-	-	-	-	-	-	-	-	-	-	-	-	-	-	-	-	-	-	-
MX123 CONN ASSY 73 CKT GRY OPT0 KEY B/49	345660364	C-HSG-B0	G-CAP-0-P	TPA-B0	RS	LS	MAL	CPA	MSEAL	RSEAL	-	-	-	-	-	-	-	-	-	-	-	-	-	-	-	-	-	-	-	-	-	-	-	-	-	-	-	-	-	-	-	-							
											-	-	-	-	-	-	-	-	-	-	-	-	-	-	-	-	-	-	-	-	-	-	-	-	-	-	-	-	-	-	-	-	-	-	-	-	-	-	
											-	-	-	-	-	-	-	-	-	-	-	-	-	-	-	-	-	-	-	-	-	-	-	-	-	-	-	-	-	-	-	-	-	-	-	-	-	-	-
MX123 CONN ASSY 73 CKT BLK OPT0 KEY A/53	345660374	C-HSG-A0	G-CAP-0-P	TPA-A0	RS	LS	MAL	CPA	MSEAL	RSEAL	-	-	-	-	-	-	-	-	-	-	-	-	-	-	-	-	-	-	-	-	-	-	-	-	-	-	-	-	-	-	-	-							
											-	-	-	-	-	-	-	-	-	-	-	-	-	-	-	-	-	-	-	-	-	-	-	-	-	-	-	-	-	-	-	-	-	-	-	-	-	-	
											-	-	-	-	-	-	-	-	-	-	-	-	-	-	-	-	-	-	-	-	-	-	-	-	-	-	-	-	-	-	-	-	-	-	-	-	-	-	-
MX123 CONN ASSY 73 CKT GRY OPT0 KEY B/59	345660384	C-HSG-B0	G-CAP-0-P	TPA-B0	RS	LS	MAL	CPA	MSEAL	RSEAL	-	-	-	-	-	-	-	-	-	-	-	-	-	-	-	-	-	-	-	-	-	-	-	-	-	-	-	-	-	-	-	-	-						
											-	-	-	-	-	-	-	-	-	-	-	-	-	-	-	-	-	-	-	-	-	-	-	-	-	-	-	-	-	-	-	-	-	-	-	-	-	-	
											-	-	-	-	-	-	-	-	-	-	-	-	-	-	-	-	-	-	-	-	-	-	-	-	-	-	-	-	-	-	-	-	-	-	-	-	-	-	-
MX123 CONN ASSY 73 CKT GRY OPT9 KEY B/58	345660394	C-HSG-B9	G-CAP-9-P	TPA-B9	RS	LS	MAL	CPA	MSEAL	RSEAL	-	-	-	-	-	-	-	-	-	-	-	-	-	-	-	-	-	-	-	-	-	-	-	-	-	-	-	-	-	-	-	-	-						
											-	-	-	-	-	-	-	-	-	-	-	-	-	-	-	-	-	-	-	-	-	-	-	-	-	-	-	-	-	-	-	-	-	-	-	-	-	-	
											-	-	-	-	-	-	-	-	-	-	-	-	-	-	-	-	-	-	-	-	-	-	-	-	-	-	-	-	-	-	-	-	-	-	-	-	-	-	-
MX123 CONN ASSY 73 CKT GRY OPT0 KEY B/48	345660404	C-HSG-B0	G-CAP-0-P	TPA-B0	RS	LS	MAL	CPA	MSEAL	RSEAL	-	-	-	-	-	-	-	-	-	-	-	-	-	-	-	-	-	-	-	-	-	-	-	-	-	-	-	-	-	-	-	-	-	-					
											-	-	-	-	-	-	-	-	-	-	-	-	-	-	-	-	-	-	-	-	-	-	-	-	-	-	-	-	-	-	-	-	-	-	-	-	-	-	-
											-	-	-	-	-	-	-	-	-	-	-	-	-	-	-	-	-	-	-	-	-	-	-	-	-	-	-	-	-	-	-	-	-	-	-	-	-	-	-
MX123 CONN ASSY 73 CKT BLK OPT0 KEY A/56	345660484	C-HSG-A0	G-CAP-0-P	TPA-A0	RS	LS	MAL	CPA	MSEAL	RSEAL	-	-	-	-	-	-	-	-	-	-	-	-	-	-	-	-	-	-	-	-	-	-	-	-	-	-	-	-	-	-	-	-	-	-					
											-	-	-	-	-	-	-	-	-	-	-	-	-	-	-	-	-	-	-	-	-	-	-	-	-	-	-	-	-	-	-	-	-	-	-	-	-	-	-
											-	-	-	-	-	-	-	-	-	-	-	-	-	-	-	-	-	-	-	-	-	-	-	-	-	-	-	-	-	-	-	-	-	-	-	-	-	-	-



ASSEMBLY DESCRIPTION	ASSEMBLY PART NUMBER	CONNECTOR HOUSING	GROMMET CAP	TPA	RIGHT SLIDE	LEFT SLIDE	MATE ASSIST LEVER	CPA	MAT SEAL	RING SEAL	BLOCKED TERMINALS																		STATUS	COMMENTS	INTEGRAL COMPONENTS SOLD SEPARATELY																
											CAVITY WITH A NUMBER INDICATES BLOCKED TERMINAL POSITION																				DRESS COVER																
											CAVITY WITHOUT A NUMBER INDICATES OPEN TERMINAL POSITION																																				
MX123 CONN ASSY 73 CKT GRY OPT0 KEY B/46	345660514	C-HSG-B0	G-CAP-0-P	TPA-B0	RS	LS	MAL	CPA	MSEAL	RSEAL	-	-	-	-	-	-	-	-	-	-	-	-	-	62	-	60	59	-	-	-	-	-	54	53	SALEABLE		345650003										
											-	-	-	-	-	-	-	-	-	-	-	-	42	41	-	39	38	-	-	35	34	33															
											-	-	-	-	-	-	-	-	-	-	-	-	-	-	-	-	-	-	-	-	-	-	-	-				-	-	-	-	-	-	-	-	-	-
											-	-	-	-	-	-	-	-	-	-	-	-	-	-	-	-	-	-	-	-	-	-	-	-				-	-	-	-	-	-	-	-	-	
MX123 CONN ASSY 73 CKT BLK OPT0 KEY A/30	345660524	C-HSG-A0	G-CAP-0-P	TPA-A0	RS	LS	MAL	CPA	MSEAL	RSEAL	-	-	-	69	68	-	-	65	64	63	62	61	60	59	58	57	56	55	54	-	SALEABLE		345650003														
											-	-	-	49	48	-	-	45	44	43	42	41	40	-	38	-	36	-	34	-																	
											-	-	-	-	32	31	-	-	-	-	-	25	24	23	22	21	20	19	18	-																	
											-	-	-	-	16	15	14	-	-	-	-	9	-	-	6	5	4	-	2	-																	
MX123 CONN ASSY 73 CKT BLK OPT9 KEY A/46	345660534	C-HSG-A9	G-CAP-9-P	TPA-A9	RS	LS	MAL	CPA	MSEAL	RSEAL	-	-	-	-	-	-	65	-	63	-	61	-	59	58	57	-	-	-	-	53	SALEABLE		345650003														
											-	-	-	-	48	-	-	-	-	43	42	41	-	-	38	37	-	-	34	-																	
											-	-	-	-	32	31	30	29	28	-	-	-	-	23	22	-	-	19	-	17																	
											-	-	-	-	16	15	-	-	-	11	-	-	-	7	-	-	-	-	2	-																	
MX123 CONN ASSY 73 CKT GRY OPT9 KEY B/59	345660544	C-HSG-B9	G-CAP-9-P	TPA-B9	RS	LS	MAL	CPA	MSEAL	RSEAL	-	-	-	-	-	-	66	-	-	-	62	-	-	-	58	-	-	-	-	-	SALEABLE		345650003														
											-	-	-	-	-	-	-	-	-	-	-	-	-	-	-	-	-	-	-	-				-	-	-	-	-	-	-	-	-	-	-			
											-	-	-	-	-	-	-	-	-	-	-	-	-	-	-	-	-	-	-	-				-	-	-	-	-	-	-	-	-	-	-	-		
											-	-	-	-	-	-	-	-	-	-	-	-	-	-	-	-	-	-	-	-				-	-	-	-	-	-	-	-	-	-	-	-	-	
MX123 CONN ASSY 73 CKT NAT OPT0 KEY F/73	345660603	C-HSG-F0	G-CAP-0-P	TPA-F0	RS	LS	MAL	CPA	MSEAL	RSEAL	-	-	-	-	-	-	-	-	-	-	-	-	-	-	-	-	-	-	-	-	SALEABLE		345650003														
											-	-	-	-	-	-	-	-	-	-	-	-	-	-	-	-	-	-	-	-				-	-	-	-	-	-	-	-	-	-	-			
											-	-	-	-	-	-	-	-	-	-	-	-	-	-	-	-	-	-	-	-				-	-	-	-	-	-	-	-	-	-	-	-	-	
											-	-	-	-	-	-	-	-	-	-	-	-	-	-	-	-	-	-	-	-				-	-	-	-	-	-	-	-	-	-	-	-	-	
MX123 CONN ASSY 73 CKT BLK OPT9 KEY A/38	345660604	C-HSG-A9	G-CAP-9-P	TPA-A9	RS	LS	MAL	CPA	MSEAL	RSEAL	-	-	-	69	68	-	-	-	-	-	-	-	60	-	58	57	56	-	54	-	SALEABLE		345650003														
											-	-	-	49	48	-	-	-	-	-	-	40	-	-	-	-	35	34	-																		
											-	-	-	-	32	31	-	-	28	27	26	25	24	23	22	21	20	19	18	-																	
											-	-	-	-	16	15	14	-	12	11	10	9	-	-	-	5	4	-	2	-																	
MX123 CONN ASSY 73 CKT GRY OPT0 KEY B/43	345660624	C-HSG-B0	G-CAP-0-P	TPA-B0	RS	LS	MAL	CPA	MSEAL	RSEAL	-	-	-	-	68	67	66	65	64	-	62	-	60	59	-	-	-	-	54	53	SALEABLE		345650003														
											-	-	-	-	48	47	46	-	44	-	42	-	40	39	-	-	-	35	34	-																	
											-	-	-	-	-	31	-	-	-	27	-	-	-	-	-	-	-	19	18	17																	
											-	-	-	-	-	15	14	-	-	11	-	-	-	-	-	-	-	3	2	1																	
MX123 CONN ASSY 73 CKT BLK OPT9 KEY A/42	345660634	C-HSG-A9	G-CAP-9-P	TPA-A9	RS	LS	MAL	CPA	MSEAL	RSEAL	72	71	-	-	68	-	66	65	-	63	62	-	-	-	58	-	-	-	-	-	SALEABLE		345650003														
											-	-	50	49	-	47	46	-	-	43	42	-	40	-	-	-	-	-	-	-																	
											-	-	-	-	32	31	-	29	-	-	-	-	24	23	-	21	20	-	18	17																	
											-	-	-	-	16	-	-	-	-	-	-	9	-	7	6	-	4	3	-	1																	
MX123 CONN ASSY 73 CKT BLK OPT9 KEY A/43	345660654	C-HSG-A9	G-CAP-9-P	TPA-A9	RS	LS	MAL	CPA	MSEAL	RSEAL	72	71	-	-	68	-	66	65	-	63	62	-	-	-	58	-	-	-	-	-	SALEABLE		345650003														
											-	-	50	49	-	47	46	-	-	43	42	-	40	-	-	-	-	-	33																		
											-	-	-	-	32	31	-	29	-	-	-	-	24	23	-	20	-	18	17																		
											-	-	-	-	16	-	-	-	-	-	-	9	-	-	6	-	4	3	-	1																	
MX123 CONN ASSY 73 CKT GRY OPT9 KEY B/50	345660674	C-HSG-B9	G-CAP-9-P	TPA-B9	RS	LS	MAL	CPA	MSEAL	RSEAL	-	-	-	-	-	-	66	65	-	-	62	-	60	59	-	-	-	-	54	53	SALEABLE		345650003														
											-	-	-	-	-	-	-	-	-	-	-	-	-	-	-	-	-	-	-	35				34	33												
											-	-	-	-	-	-	-	-	-	-	-	-	-	-	-	-	-	-	-	-				-	-	-	-	-	-	-	-	-	-	-	-		
											-	-	-	-	-	-	-	-	-	-	-	-	-	-	-	-	-	-	-	-				-	-	-	-	-	-	-	-	-	-	-	-	-	
MX123 CONN ASSY 73 CKT BLK OPT0 KEY A/24	345660724	C-HSG-A0	G-CAP-0-P	TPA-A0	RS	LS	MAL	CPA	MSEAL	RSEAL	72	71	70	69	-	67	-	-	64	-	-	61	60	59	-	57	56	55	54	53	SALEABLE		345650003														
											52	51	-	-	48	-	-	45	44	-	-	41	40	39	38	37	36	35	34	-																	
											-	-	-	-	-	31	30	29	-	27	26	25	-	-	22	-	-	19	18	-																	
											-	-	-	-	16	15	14	13	12	11	10	9	8	7	6	5	-	-	2	-																	
MX123 CONN ASSY 73 CKT BLK OPT0 KEY A/31	345661013	C-HSG-A0	G-CAP-0-P	TPA-A0	RS	LS	MAL	CPA	MSEAL	RSEAL	72	-	70	-	-	67	66	-	-	-	62	-	60	-	-	-	-	55	54	53	SALEABLE		345650003														
											-	51	-	-	48	-	46	45	44	43	42	-	40	39	-	-	-	35	-	-																	
											-	-	-	-	-	-	-	-	-	-	26	25	-	-	22	21	-	-	-	-																	
											-	-	-	-	-	-	-	-	-	-	-	-	8	7	6	5	4	-	-	-																	

ASSEMBLY DESCRIPTION	ASSEMBLY PART NUMBER	CONNECTOR HOUSING	GROMMET CAP	TPA	RIGHT SLIDE	LEFT SLIDE	MATE ASSIST LEVER	CPA	MAT SEAL	RING SEAL	BLOCKED TERMINALS																			STATUS	COMMENTS	INTEGRAL COMPONENTS SOLD SEPARATELY	
											CAVITY WITH A NUMBER INDICATES BLOCKED TERMINAL POSITION																					DRESS COVER	
											CAVITY WITHOUT A NUMBER INDICATES OPEN TERMINAL POSITION																						
MX123 CONN ASSY 73 CKT BLK OPT0 KEY A/34	345661023	C-HSG-A0	G-CAP-0-P	TPA-A0	RS	LS	MAL	CPA	MSEAL	RSEAL	72	71	-	69	68	-	-	-	64	63	62	61	60	59	-	-	56	-	-	53	SALEABLE		345650003
											52	51	-	-	48	-	46	45	-	-	-	-	40	-	38	-	36	-	34	33			
											-																						
MX123 CONN ASSY 73 CKT BLK OPT0 KEY A/32	345661033	C-HSG-A0	G-CAP-0-P	TPA-A0	RS	LS	MAL	CPA	MSEAL	RSEAL	-	71	-	69	68	-	-	-	64	63	62	61	60	59	-	-	56	-	-	53	SALEABLE		345650003
											52	51	-	-	48	-	46	45	-	-	-	-	40	-	38	-	36	-	34	33			
											-																						
MX123 CONN ASSY 73 CKT GRY OPT0 KEY B/30	345661043	C-HSG-B0	G-CAP-0-P	TPA-B0	RS	LS	MAL	CPA	MSEAL	RSEAL	72	-	-	69	-	67	-	-	64	63	62	61	60	-	-	-	56	55	-	-	SALEABLE		345650003
											52	-	-	-	-	47	-	-	44	-	42	-	-	-	-	-	-	-	34	-			
											-																						
MX123 CONN ASSY 73 CKT GRY OPT0 KEY B/50	345661063	C-HSG-B0	G-CAP-0-P	TPA-B0	RS	LS	MAL	CPA	MSEAL	RSEAL	72	71	70	69	68	67	66	-	64	63	62	61	-	-	58	-	-	54	-	SALEABLE		345650003	
											52	51	50	-	-	-	46	45	-	43	42	41	-	-	38	-	-	-	34				-
											-																						
MX123 CONN ASSY 73 CKT BLK OPT0 KEY A/28	345661073	C-HSG-A0	G-CAP-0-P	TPA-A0	RS	LS	MAL	CPA	MSEAL	RSEAL	-	-	-	-	-	-	-	-	-	62	-	60	-	-	-	-	55	-	53	SALEABLE		345650003	
											52	51	-	-	-	-	46	45	44	43	-	-	40	39	-	-	-	35	-				-
											-																						
MX123 CONN ASSY 73 CKT GRY OPT0 KEY B/28	345661083	C-HSG-B0	G-CAP-0-P	TPA-B0	RS	LS	MAL	CPA	MSEAL	RSEAL	72	71	70	69	-	-	-	-	63	62	61	60	-	-	-	56	-	-	-	SALEABLE		345650003	
											52	-	-	-	-	47	-	-	44	-	-	-	-	-	-	-	36	-	34				-
											-																						
MX123 CONN ASSY 73 CKT BLK OPT0 KEY A/40	345661093	C-HSG-A0	G-CAP-0-P	TPA-A0	RS	LS	MAL	CPA	MSEAL	RSEAL	72	71	-	69	-	-	-	65	64	63	62	61	60	59	-	57	-	-	53	SALEABLE		345650003	
											52	51	50	-	48	-	46	45	-	-	-	-	40	-	38	-	-	35	-				33
											-																						
MX123 CONN ASSY 73 CKT BLK OPT0 KEY A/39	345661133	C-HSG-A0	G-CAP-0-P	TPA-A0	RS	LS	MAL	CPA	MSEAL	RSEAL	72	71	-	69	-	-	-	65	64	63	62	-	60	59	-	-	56	-	-	53	SALEABLE		345650003
											52	51	50	-	48	-	46	-	-	-	-	-	40	-	38	-	36	35	-	33			
											-																						
MX123 CONN ASSY 73 CKT BLK OPT0 KEY A/31	345661143	C-HSG-A0	G-CAP-0-P	TPA-A0	RS	LS	MAL	CPA	MSEAL	RSEAL	72	71	70	69	-	67	66	-	64	-	62	-	60	-	-	57	-	55	54	-	SALEABLE		345650003
											-	51	-	49	48	-	46	45	44	43	42	-	40	39	-	-	-	-	-	-			
											-																						
MX123 CONN ASSY 73 CKT BLK OPT0 KEY A/42	345661153	C-HSG-A0	G-CAP-0-P	TPA-A0	RS	LS	MAL	CPA	MSEAL	RSEAL	72	71	-	69	68	-	-	-	64	63	62	61	60	59	-	-	56	-	54	53	SALEABLE		345650003
											52	51	50	-	48	-	46	45	-	-	-	-	40	-	38	-	36	35	34	33			
											-																						
MX123 CONN ASSY 73 CKT BLK OPT0 KEY A/27	345661173	C-HSG-A0	G-CAP-0-P	TPA-A0	RS	LS	MAL	CPA	MSEAL	RSEAL	-	-	70	-	-	67	66	-	-	-	-	-	-	-	-	57	-	55	-	53	SALEABLE		345650003
											-	51	-	-	-	-	46	-	44	43	-	-	40	39	-	-	-	35	-	-			
											-																						
MX123 CONN ASSY 73 CKT GRY OPT0 KEY B/48	345661183	C-HSG-B0	G-CAP-0-P	TPA-B0	RS	LS	MAL	CPA	MSEAL	RSEAL	72	71	70	69	68	67	-	-	-	63	-	61	60	-	58	-	56	-	54	-	SALEABLE		345650003
											52	51	50	-	-	-	46	45	-	43	-	41	40	-	38	-	36	-	34	-			
											-																						



ASSEMBLY DESCRIPTION	ASSEMBLY PART NUMBER	CONNECTOR HOUSING	GROMMET CAP	TPA	RIGHT SLIDE	LEFT SLIDE	MATE ASSIST LEVER	CPA	MAT SEAL	RING SEAL	BLOCKED TERMINALS																		STATUS	COMMENTS	INTEGRAL COMPONENTS SOLD SEPARATELY		
											CAVITY WITH A NUMBER INDICATES BLOCKED TERMINAL POSITION CAVITY WITHOUT A NUMBER INDICATES OPEN TERMINAL POSITION																				DRESS COVER		
MX123 CONN ASSY 73 CKT BLK OPT0 KEY A/32	345661193	C-HSG-A0	G-CAP-0-P	TPA-A0	RS	LS	MAL	CPA	MSEAL	RSEAL	-	-	70	-	-	-	-	65	-	-	-	61	-	-	61	-	-	58	57	56	55	-	-
											-	51	50	-	-	47	-	45	-	-	-	41	40	-	38	37	36	35	-	-			
											-	-	-	-	31	30	-	28	-	26	25	24	-	22	21	20	19	18	-	-			
MX123 CONN ASSY 73 CKT BLK OPT0 KEY A/36	345661213	C-HSG-A0	G-CAP-0-P	TPA-A0	RS	LS	MAL	CPA	MSEAL	RSEAL	-	-	70	-	-	-	-	65	-	-	-	61	60	-	58	57	56	55	-	-			
											-	51	50	49	-	47	-	45	-	-	-	41	40	-	38	37	36	35	34	-			
											-	-	-	-	31	30	-	28	-	26	25	-	22	21	20	19	18	-	-				
MX123 CONN ASSY 73 CKT GRY OPT0 KEY B/48	345661223	C-HSG-B0	G-CAP-0-P	TPA-B0	RS	LS	MAL	CPA	MSEAL	RSEAL	72	71	70	69	68	-	-	-	64	-	-	61	60	-	58	-	56	-	54	-			
											52	51	50	49	-	47	46	45	44	-	-	41	40	-	38	-	36	-	34	-			
											-	-	-	-	32	31	30	-	28	-	-	25	24	-	22	-	20	19	18	-			
MX123 CONN ASSY 73 CKT GRY OPT0 KEY B/52	345661233	C-HSG-B0	G-CAP-0-P	TPA-B0	RS	LS	MAL	CPA	MSEAL	RSEAL	72	71	70	69	68	67	66	-	64	63	-	61	60	-	58	-	56	-	54	-			
											52	51	50	49	-	47	-	45	44	43	-	41	40	-	38	-	36	-	34	-			
											-	-	-	-	32	31	30	-	28	27	-	25	24	-	22	-	20	19	18	-			
MX123 CONN ASSY 73 CKT GRY OPT0 KEY B/51	345661243	C-HSG-B0	G-CAP-0-P	TPA-B0	RS	LS	MAL	CPA	MSEAL	RSEAL	72	71	70	69	68	67	66	65	64	63	62	61	60	-	58	-	56	-	54	-			
											52	51	-	49	-	47	-	45	44	43	42	41	40	-	38	-	36	-	34	-			
											-	-	-	-	32	31	30	-	28	27	26	25	24	-	22	-	20	19	18	-			
MX123 CONN ASSY 73 CKT GRY OPT9 KEY B/55	345661253	C-HSG-B9	G-CAP-9-P	TPA-B9	RS	LS	MAL	CPA	MSEAL	RSEAL	72	71	70	69	68	67	66	-	64	63	62	61	-	-	58	-	56	-	54	-			
											52	51	50	-	-	47	-	45	44	43	42	41	-	-	38	-	36	-	34	-			
											-	-	-	-	32	31	30	29	28	27	26	25	-	-	22	-	20	19	18	17			
MX123 CONN ASSY 73 CKT BLK OPT9 KEY A/32	345661263	C-HSG-A9	G-CAP-9-P	TPA-A9	RS	LS	MAL	CPA	MSEAL	RSEAL	-	-	70	-	-	-	-	65	-	-	-	61	60	-	58	57	-	55	54	-			
											52	51	-	49	-	47	-	45	-	-	-	41	40	-	38	37	-	-	34	-			
											-	-	-	-	31	-	-	28	-	26	25	-	-	22	21	-	19	18	-	-			
MX123 CONN ASSY 73 CKT BLK OPT0 KEY A/33	345661273	C-HSG-A0	G-CAP-0-P	TPA-A0	RS	LS	MAL	CPA	MSEAL	RSEAL	72	71	-	-	-	67	66	-	-	-	62	-	60	-	-	-	-	55	54	53			
											-	51	-	-	-	-	46	45	44	43	42	-	40	39	-	-	-	35	-	-			
											-	-	-	-	-	-	-	-	-	-	26	25	-	-	22	21	-	-	-	17			
MX123 CONN ASSY 73 CKT BLK OPT0 KEY A/28	345661283	C-HSG-A0	G-CAP-0-P	TPA-A0	RS	LS	MAL	CPA	MSEAL	RSEAL	-	-	-	-	-	67	-	-	-	-	62	-	60	-	-	-	-	55	-	53			
											-	51	-	-	-	-	46	45	44	43	-	-	40	39	-	-	-	35	-	-			
											-	-	-	-	-	-	-	-	-	-	25	-	-	22	21	-	-	-	17	-			
MX123 CONN ASSY 73 CKT BLK OPT0 KEY A/38	345661293	C-HSG-A0	G-CAP-0-P	TPA-A0	RS	LS	MAL	CPA	MSEAL	RSEAL	72	71	70	69	-	67	66	-	64	-	62	-	60	-	-	57	-	55	54	53			
											-	51	-	49	48	-	46	45	44	43	42	-	40	39	-	-	-	35	-	-			
											-	-	-	-	-	-	-	-	-	-	26	25	-	-	22	21	-	-	-	-			
MX123 CONN ASSY 73 CKT BLK OPT9 KEY A/73	345661303	C-HSG-A9	G-CAP-9-P	TPA-A9	RS	LS	MAL	CPA	MSEAL	RSEAL	-	-	-	-	-	-	-	-	-	-	-	-	-	-	-	-	-	-	-				
											-	-	-	-	-	-	-	-	-	-	-	-	-	-	-	-	-	-	-	-			
											-	-	-	-	-	-	-	-	-	-	-	-	-	-	-	-	-	-	-	-			
MX123 CONN ASSY 73 CKT BLK OPT0 KEY A/4	345661323	C-HSG-A0	G-CAP-0-P	TPA-A0	RS	LS	MAL	CPA	MSEAL	RSEAL	-	-	-	-	-	-	-	-	-	-	-	61	-	-	-	-	-	-	-	-			
											-	-	-	-	-	-	-	-	-	-	-	-	-	-	-	-	-	-	-	-			
											-	-	-	-	-	-	-	-	-	-	26	-	-	-	-	-	-	-	-	-			

ASSEMBLY DESCRIPTION	ASSEMBLY PART NUMBER	CONNECTOR HOUSING	GROMMET CAP	TPA	RIGHT SLIDE	LEFT SLIDE	MATE ASSIST LEVER	CPA	MAT SEAL	RING SEAL	BLOCKED TERMINALS																				STATUS	COMMENTS	INTEGRAL COMPONENTS SOLD SEPARATELY
											CAVITY WITH A NUMBER INDICATES BLOCKED TERMINAL POSITION																						DRESS COVER
											CAVITY WITHOUT A NUMBER INDICATES OPEN TERMINAL POSITION																						
MX123 CONN ASSY 73 CKT BLK OPT0 KEY A/36	345661333	C-HSG-A0	G-CAP-0-P	TPA-A0	RS	LS	MAL	CPA	MSEAL	RSEAL	72	71	-	-	-	67	66	-	-	63	62	61	60	-	-	57	-	55	54	53	SALEABLE		345650003
											-	51	-	-	48	-	46	45	44	43	42	-	40	39	-	-	-	35	-	33			
																					-	-	-	-	-	26	25	24	-	22			
MX123 CONN ASSY 73 CKT BLK OPT0 KEY A/31	345661343	C-HSG-A0	G-CAP-0-P	TPA-A0	RS	LS	MAL	CPA	MSEAL	RSEAL	-	-	70	-	68	-	66	-	-	-	62	61	60	-	-	-	-	55	54	53	SALEABLE		345650003
											52	51	-	-	-	-	46	45	44	43	42	-	40	39	-	-	-	35	-	33			
																					-	-	-	-	-	26	25	24	-	22			
MX123 CONN ASSY 73 CKT BLK OPT0 KEY A/38	345661363	C-HSG-A0	G-CAP-0-P	TPA-A0	RS	LS	MAL	CPA	MSEAL	RSEAL	-	-	70	-	-	-	65	-	-	-	61	60	-	58	57	56	55	54	-	SALEABLE		345650003	
											52	51	50	49	-	47	-	45	-	-	-	41	40	-	38	37	36	35	34				-
																					-	31	30	-	28	-	26	25	-				-
MX123 CONN ASSY 73 CKT GRY OPT0 KEY B/51	345661373	C-HSG-B0	G-CAP-0-P	TPA-B0	RS	LS	MAL	CPA	MSEAL	RSEAL	72	71	70	69	68	67	-	-	64	63	-	61	60	-	58	-	56	-	54	-	SALEABLE		345650003
											52	51	50	49	-	47	-	45	44	43	-	41	40	-	38	-	36	-	34	-			
																					32	31	30	-	28	27	-	25	24	-			
MX123 CONN ASSY 73 CKT GRY OPT0 KEY B/51	345661383	C-HSG-B0	G-CAP-0-P	TPA-B0	RS	LS	MAL	CPA	MSEAL	RSEAL	72	71	70	69	68	67	66	-	64	63	62	61	60	-	-	-	56	-	54	-	SALEABLE		345650003
											52	51	50	-	-	-	-	45	44	43	42	41	40	-	-	-	36	-	34	-			
																					32	31	30	-	28	27	26	25	24	-			
MX123 CONN ASSY 73 CKT GRY OPT0 KEY B/51	345661383	C-HSG-B0	G-CAP-0-P	TPA-B0	RS	LS	MAL	CPA	MSEAL	RSEAL	72	71	70	69	68	67	66	-	64	63	62	61	60	-	-	-	56	-	54	-	SALEABLE		345650003
											52	51	50	-	-	-	-	45	44	43	42	41	40	-	-	-	36	-	34	-			
																					32	31	30	-	28	27	26	25	24	-			
MX123 CONN ASSY 73 CKT BLK OPT0 KEY A/41	345661393	C-HSG-A0	G-CAP-0-P	TPA-A0	RS	LS	MAL	CPA	MSEAL	RSEAL	72	71	-	69	68	-	-	65	64	63	62	-	60	59	-	-	56	-	-	53	SALEABLE		345650003
											52	51	50	49	48	-	46	-	-	-	-	-	40	-	38	-	36	35	-	33			
																					-	31	-	29	28	-	26	-	-	23			
MX123 CONN ASSY 73 CKT GRY OPT9 KEY B/73	345661403	C-HSG-B9	G-CAP-9-P	TPA-B9	RS	LS	MAL	CPA	MSEAL	RSEAL	-	-	-	-	-	-	-	-	-	-	-	-	-	-	-	-	-	-	SALEABLE		345650003		
											-	-	-	-	-	-	-	-	-	-	-	-	-	-	-	-	-	-				-	-
																					-	-	-	-	-	-	-	-				-	-
MX123 CONN ASSY 73 CKT GRY OPT0 KEY B/25	345661423	C-HSG-B0	G-CAP-0-P	TPA-B0	RS	LS	MAL	CPA	MSEAL	RSEAL	72	71	70	69	-	-	-	-	64	63	62	-	-	-	-	56	55	-	-	SALEABLE		345650003	
											52	-	-	-	-	-	-	-	44	-	-	-	-	-	-	36	-	-	-				
																					-	-	-	29	28	27	-	25	-				-
MX123 CONN ASSY 73 CKT GRY OPT0 KEY B/52	345661433	C-HSG-B0	G-CAP-0-P	TPA-B0	RS	LS	MAL	CPA	MSEAL	RSEAL	72	71	70	69	68	67	-	65	-	63	62	61	60	-	58	-	56	-	54	-	SALEABLE		345650003
											52	51	50	-	-	47	-	45	44	43	42	41	40	-	38	-	36	-	34	-			
																					-	31	30	-	28	27	26	25	24	-			
MX123 CONN ASSY 73 CKT GRY OPT0 KEY B/51	345661443	C-HSG-B0	G-CAP-0-P	TPA-B0	RS	LS	MAL	CPA	MSEAL	RSEAL	72	71	70	-	-	67	-	65	64	63	62	61	60	-	58	-	56	-	54	-	SALEABLE		345650003
											52	51	50	-	-	47	-	45	44	43	42	41	40	-	38	-	36	-	34	-			
																					32	31	30	-	28	27	26	25	24	-			
MX123 CONN ASSY 73 CKT GRY OPT0 KEY B/47	345661453	C-HSG-B0	G-CAP-0-P	TPA-B0	RS	LS	MAL	CPA	MSEAL	RSEAL	72	71	70	69	68	67	-	-	-	63	-	61	60	-	58	-	56	-	54	-	SALEABLE		345650003
											52	51	50	-	-	-	46	45	-	43	-	41	40	-	38	-	36	-	34	-			
																					32	31	30	-	-	27	-	25	24	-			
MX123 CONN ASSY 73 CKT BLK OPT0 KEY A/31	345661463	C-HSG-A0	G-CAP-0-P	TPA-A0	RS	LS	MAL	CPA	MSEAL	RSEAL	72	71	70	-	-	67	66	-	-	-	-	-	-	-	-	57	-	55	54	53	SALEABLE		345650003
											-	51	-	-	-	-	46	-	44	43	42	-	40	39	-	-	-	35	-	-			
																					-	-	-	-	-	-	26	25	-	-			

ASSEMBLY DESCRIPTION	ASSEMBLY PART NUMBER	CONNECTOR HOUSING	GROMMET CAP	TPA	RIGHT SLIDE	LEFT SLIDE	MATE ASSIST LEVER	CPA	MAT SEAL	RING SEAL	BLOCKED TERMINALS																		STATUS	COMMENTS	INTEGRAL COMPONENTS SOLD SEPARATELY														
											CAVITY WITH A NUMBER INDICATES BLOCKED TERMINAL POSITION																				DRESS COVER														
											CAVITY WITHOUT A NUMBER INDICATES OPEN TERMINAL POSITION																																		
MX123 CONN ASSY 73 CKT BLK OPT0 KEY A/32	345661473	C-HSG-A0	G-CAP-0-P	TPA-A0	RS	LS	MAL	CPA	MSEAL	RSEAL	-	-	70	-	-	-	-	65	-	-	-	61	60	-	58	57	56	55	-	-															
											-	51	50	-	-	47	-	45	-	-	-	41	40	-	38	37	36	35	-	-															
											-																		16	15	-	-	-	-	10	-	-	-	-	-	-	-	-	-	-
MX123 CONN ASSY 73 CKT BLK OPT0 KEY A/33	345661483	C-HSG-A0	G-CAP-0-P	TPA-A0	RS	LS	MAL	CPA	MSEAL	RSEAL	-	-	70	-	-	67	66	-	-	-	62	-	60	-	-	57	-	55	54	53															
											-	51	-	-	48	-	46	45	44	43	42	-	40	39	-	-	-	35	-	-															
											-																		-	-	-	-	-	-	26	25	-	-	22	21	-	-	-	-	-
MX123 CONN ASSY 73 CKT GRY OPT0 KEY B/49	345661493	C-HSG-B0	G-CAP-0-P	TPA-B0	RS	LS	MAL	CPA	MSEAL	RSEAL	72	71	70	69	-	67	66	65	64	63	62	61	60	-	-	-	56	-	54	-															
											52	51	50	-	-	47	-	45	44	43	42	41	40	-	-	-	36	-	34	-															
											-																		32	31	30	-	28	27	26	25	24	-	-	-	20	19	-	-	-
MX123 CONN ASSY 73 CKT BLU OPT9 KEY C/73	345661503	C-HSG-C9	G-CAP-9-P	TPA-C9	RS	LS	MAL	CPA	MSEAL	RSEAL	-	-	-	-	-	-	-	-	-	-	-	-	-	-	-	-	-	-	-																
											-																		-	-	-	-	-	-	-	-	-	-	-	-	-	-	-	-	-
											-																		-	-	-	-	-	-	-	-	-	-	-	-	-	-	-	-	-
MX123 CONN ASSY 73 CKT GRY OPT0 KEY B/55	345661513	C-HSG-B0	G-CAP-0-P	TPA-B0	RS	LS	MAL	CPA	MSEAL	RSEAL	72	71	70	69	68	67	66	-	64	63	62	61	60	-	58	-	56	-	54	-															
											52	51	50	-	-	47	-	45	44	43	42	41	40	-	38	-	36	-	34	-															
											-																		32	31	30	-	28	27	26	25	24	-	22	-	20	19	18	-	-
MX123 CONN ASSY 73 CKT BLK OPT0 KEY A/34	345661523	C-HSG-A0	G-CAP-0-P	TPA-A0	RS	LS	MAL	CPA	MSEAL	RSEAL	72	71	-	-	-	67	66	-	-	63	62	61	60	-	-	57	-	55	-	53															
											-	51	-	-	48	-	46	45	44	43	-	-	40	39	-	-	-	35	-	33															
											-																		-	-	-	-	-	-	-	25	24	-	22	21	-	-	-	-	-
MX123 CONN ASSY 73 CKT BLK OPT0 KEY A/28	345661533	C-HSG-A0	G-CAP-0-P	TPA-A0	RS	LS	MAL	CPA	MSEAL	RSEAL	-	-	-	-	-	67	66	-	-	-	62	-	60	-	-	-	55	54	53																
											-	-	-	-	48	-	46	45	44	43	42	-	40	39	-	-	-	35	-	-															
											-																		-	-	-	-	-	-	26	25	-	-	22	21	-	-	-	-	-
MX123 CONN ASSY 73 CKT GRY OPT0 KEY B/53	345661543	C-HSG-B0	G-CAP-0-P	TPA-B0	RS	LS	MAL	CPA	MSEAL	RSEAL	72	71	70	-	-	67	-	65	64	63	62	61	60	-	58	-	56	-	54	-															
											52	51	50	-	-	47	-	45	44	43	42	41	40	-	38	-	36	-	34	-															
											-																		32	31	30	-	28	27	26	25	24	-	22	-	20	19	18	17	-
MX123 CONN ASSY 73 CKT BLK OPT0 KEY A/73	345661553	C-HSG-A0	G-CAP-0-P	TPA-A0	RS	LS	MAL	CPA	MSEAL	RSEAL	72	71	70	69	68	67	66	65	64	63	62	61	60	59	58	57	56	55	54	53															
											52	51	50	49	48	47	46	45	44	43	42	41	40	39	38	37	36	35	34	33															
											-																		32	31	30	29	28	27	26	25	24	23	22	21	20	19	18	17	-
MX123 CONN ASSY 73 CKT BLK OPT9 KEY A/73	345661563	C-HSG-A9	G-CAP-9-P	TPA-A9	RS	LS	MAL	CPA	MSEAL	RSEAL	72	71	70	69	68	67	66	65	64	63	62	61	60	59	58	57	56	55	54	53															
											52	51	50	49	48	47	46	45	44	43	42	41	40	39	38	37	36	35	34	33															
											-																		32	31	30	29	28	27	26	25	24	23	22	21	20	19	18	17	-
MX123 CONN ASSY 73 CKT BLK OPT0 KEY A/35	345661583	C-HSG-A0	G-CAP-0-P	TPA-A0	RS	LS	MAL	CPA	MSEAL	RSEAL	72	71	-	69	68	-	-	-	64	63	62	-	60	59	-	-	56	-	-	53															
											52	51	50	-	48	-	46	-	-	-	-	40	-	38	-	36	35	-	33	-															
											-																		-	31	-	29	28	-	26	-	-	23	22	-	-	-	-	-	-
MX123 CONN ASSY 73 CKT GRY OPT0 KEY B/30	345661593	C-HSG-B0	G-CAP-0-P	TPA-B0	RS	LS	MAL	CPA	MSEAL	RSEAL	72	71	70	69	68	-	66	-	64	63	62	-	-	-	-	56	55	-	-																
											52	-	-	-	-	-	-	-	44	-	-	41	-	-	38	-	36	35	-	-															
											-																		-	-	-	29	28	27	-	25	-	-	-	-	-	-	19	18	17

ASSEMBLY DESCRIPTION	ASSEMBLY PART NUMBER	CONNECTOR HOUSING	GROMMET CAP	TPA	RIGHT SLIDE	LEFT SLIDE	MATE ASSIST LEVER	CPA	MAT SEAL	RING SEAL	BLOCKED TERMINALS																		STATUS	COMMENTS	INTEGRAL COMPONENTS SOLD SEPARATELY
											CAVITY WITH A NUMBER INDICATES BLOCKED TERMINAL POSITION CAVITY WITHOUT A NUMBER INDICATES OPEN TERMINAL POSITION																				DRESS COVER
MX123 CONN ASSY 73 CKT GRY OPT0 KEY B/51	345661623	C-HSG-B0	G-CAP-0-P	TPA-B0	RS	LS	MAL	CPA	MSEAL	RSEAL	72	71	70	69	68	67	-	-	64	63	-	61	60	-	58	-	56	-	54	-	
											52	51	50	49	-	-	46	45	44	43	-	41	40	-	38	-	36	-	34	-	
															32	31	30	-	28	27	-	25	24	-	22	-	20	19	18	-	
				16	15	14	13	-	11	10	-	8	-	6	5	4	3	2	1												
MX123 CONN ASSY 73 CKT GRY OPT0 KEY B/46	345661633	C-HSG-B0	G-CAP-0-P	TPA-B0	RS	LS	MAL	CPA	MSEAL	RSEAL	72	71	70	-	-	67	-	65	64	63	62	61	60	-	58	-	56	-	54	-	
											52	51	-	49	-	-	46	45	44	43	42	41	40	-	38	-	36	-	34	-	
															32	31	30	-	28	27	26	25	24	-	22	-	20	19	18	-	
				16	-	14	13	-	-	-	9	8	-	-	-	-	-	-	2	1											
MX123 CONN ASSY 73 CKT GRY OPT0 KEY B/46	345661643	C-HSG-B0	G-CAP-0-P	TPA-B0	RS	LS	MAL	CPA	MSEAL	RSEAL	72	71	70	-	-	67	-	65	64	63	62	61	60	-	58	-	56	-	54	-	
											52	51	-	49	-	-	47	-	45	44	43	42	41	40	-	38	-	36	-	34	-
															32	31	30	-	28	27	26	25	24	-	22	-	20	19	18	-	
				16	-	14	13	-	-	-	9	8	-	-	-	-	-	-	2	1											
MX123 CONN ASSY 73 CKT GRY OPT0 KEY B/50	345661653	C-HSG-B0	G-CAP-0-P	TPA-B0	RS	LS	MAL	CPA	MSEAL	RSEAL	72	71	70	69	68	67	-	65	64	63	62	61	60	-	58	-	56	-	54	-	
											52	51	-	49	-	-	47	-	45	44	43	42	41	40	-	38	-	36	-	34	-
															32	31	30	-	28	27	26	25	24	-	22	-	20	19	18	-	
				16	-	14	13	-	11	10	9	8	-	-	-	-	-	-	2	1											
MX123 CONN ASSY 73 CKT GRY OPT0 KEY B/52	345661663	C-HSG-B0	G-CAP-0-P	TPA-B0	RS	LS	MAL	CPA	MSEAL	RSEAL	72	71	70	69	68	67	-	65	64	63	62	61	60	-	58	-	56	-	54	-	
											52	51	-	49	-	-	47	-	45	44	43	42	41	40	-	38	-	36	-	34	-
															32	31	30	-	28	27	26	25	24	-	22	-	20	19	18	17	
				16	-	14	13	12	11	10	9	8	-	-	-	-	-	-	2	1											
MX123 CONN ASSY 73 CKT BLK OPT0 KEY A/22	345661673	C-HSG-A0	G-CAP-0-P	TPA-A0	RS	LS	MAL	CPA	MSEAL	RSEAL	-	-	-	-	-	-	-	-	-	-	-	61	-	-	58	57	56	-	-	-	
											-	51	50	-	-	47	46	-	-	-	-	-	-	-	38	37	36	-	-	-	
															-	31	30	-	28	-	26	-	-	-	22	21	20	-	-	-	
				-	15	14	-	-	-	10	-	-	-	-	-	-	-	-	-	-											
MX123 CONN ASSY 73 CKT GRY OPT0 KEY B/39	345661683	C-HSG-B0	G-CAP-0-P	TPA-B0	RS	LS	MAL	CPA	MSEAL	RSEAL	72	71	70	69	68	-	-	65	64	-	62	61	60	-	-	-	-	-	54	-	
											52	51	-	-	-	47	46	45	44	-	42	41	40	-	-	-	-	-	34	-	
															32	31	30	-	28	-	26	25	24	-	-	-	20	19	18	17	
				-	-	-	-	12	11	10	9	-	-	-	-	-	-	-	2	1											
MX123 CONN ASSY 73 CKT GRY OPT0 KEY B/53	345661693	C-HSG-B0	G-CAP-0-P	TPA-B0	RS	LS	MAL	CPA	MSEAL	RSEAL	72	71	70	69	68	67	-	65	-	63	62	61	60	-	58	-	56	-	54	-	
											52	51	50	-	-	47	-	45	44	43	42	41	40	-	38	-	36	-	34	-	
															-	31	30	-	28	27	26	25	24	-	22	-	20	19	18	-	
				16	15	14	13	-	11	10	9	8	-	6	5	4	3	2	1												
MX123 CONN ASSY 73 CKT GRY OPT0 KEY B/21	345661713	C-HSG-B0	G-CAP-0-P	TPA-B0	RS	LS	MAL	CPA	MSEAL	RSEAL	72	-	-	69	-	67	-	-	-	-	62	61	-	-	-	-	-	-	-	-	
											52	-	-	-	-	47	-	-	44	-	42	-	-	-	-	-	-	34	-		
															-	-	-	29	28	27	26	25	-	-	-	21	-	-	18	17	
				-	-	14	-	-	-	-	-	-	-	-	-	-	-	-	-	1											
MX123 CONN ASSY 73 CKT GRY OPT0 KEY B/28	345661723	C-HSG-B0	G-CAP-0-P	TPA-B0	RS	LS	MAL	CPA	MSEAL	RSEAL	72	-	-	69	-	67	-	-	64	63	62	61	-	-	-	-	56	55	-	-	
											52	-	-	-	-	47	-	-	44	-	42	-	-	-	-	-	-	34	-		
															-	-	-	29	28	27	26	25	-	-	-	21	-	19	18	17	
				-	-	14	-	-	-	-	-	-	-	-	-	-	-	3	2	1											
MX123 CONN ASSY 73 CKT BLK OPT0 KEY A/35	345661733	C-HSG-A0	G-CAP-0-P	TPA-A0	RS	LS	MAL	CPA	MSEAL	RSEAL	72	71	-	69	-	-	-	-	64	63	62	61	60	59	-	-	56	-	54	53	
											52	51	50	-	48	-	46	45	-	-	-	-	40	-	38	-	36	-	34	33	
															-	31	-	29	28	-	26	-	-	23	22	-	-	-	-	-	
				-	-	14	-	12	11	-	-	-	7	-	-	4	-	-	-	-											
MX123 CONN ASSY 73 CKT BLK OPT0 KEY A/36	345661743	C-HSG-A0	G-CAP-0-P	TPA-A0	RS	LS	MAL	CPA	MSEAL	RSEAL	72	71	-	69	68	-	-	-	64	63	62	61	60	59	-	-	56	-	54	53	
											52	51	50	-	48	-	46	45	-	-	-	-	40	-	38	-	36	-	34	33	
															-	31	-	29	28	-	26	-	-	23	22	-	-	-	-	-	
				-	-	14	-	12	11	-	-	-	7	-	-	4	-	-	-	-											

ASSEMBLY DESCRIPTION	ASSEMBLY PART NUMBER	CONNECTOR HOUSING	GROMMET CAP	TPA	RIGHT SLIDE	LEFT SLIDE	MATE ASSIST LEVER	CPA	MAT SEAL	RING SEAL	BLOCKED TERMINALS																				STATUS	COMMENTS	INTEGRAL COMPONENTS SOLD SEPARATELY	
											CAVITY WITH A NUMBER INDICATES BLOCKED TERMINAL POSITION																						DRESS COVER	
											CAVITY WITHOUT A NUMBER INDICATES OPEN TERMINAL POSITION																							
MX123 CONN ASSY 73 CKT BLK OPT0 KEY A/40	345661753	C-HSG-A0	G-CAP-0-P	TPA-A0	RS	LS	MAL	CPA	MSEAL	RSEAL	72	71	-	69	68	-	-	-	64	63	62	61	60	59	-	-	56	-	54	53	SALEABLE		345650003	
											52	51	50	-	48	-	46	45	-	-	-	-	40	-	38	-	36	-	34	33				
															-	31	30	29	28	-	26	-	-	23	22	-	-	-	-	-				-
MX123 CONN ASSY 73 CKT GRY OPT0 KEY B/31	345661763	C-HSG-B0	G-CAP-0-P	TPA-B0	RS	LS	MAL	CPA	MSEAL	RSEAL	72	71	70	69	68	-	66	-	64	63	62	-	-	-	-	56	55	-	-	SALEABLE		345650003		
											52	-	-	-	-	-	-	-	44	-	42	41	-	-	38	-	36	35	-				-	
															-	-	-	29	28	27	-	25	-	-	-	-	-	19	18				17	
MX123 CONN ASSY 73 CKT BLU OPT0 KEY C/41	345661773	C-HSG-C0	G-CAP-0-P	TPA-C0	RS	LS	MAL	CPA	MSEAL	RSEAL	-	71	-	69	68	-	-	65	64	-	-	61	60	-	58	-	56	55	54	-	SALEABLE		345650003	
											-	-	50	49	48	47	-	45	-	43	-	41	-	-	38	37	36	35	-	-				
															32	31	-	29	28	-	-	-	24	23	-	-	-	19	18	17				
MX123 CONN ASSY 73 CKT BLU OPT0 KEY C/42	345661783	C-HSG-C0	G-CAP-0-P	TPA-C0	RS	LS	MAL	CPA	MSEAL	RSEAL	-	71	-	69	68	-	-	65	64	-	-	61	60	-	58	-	56	55	54	-	SALEABLE		345650003	
											-	-	50	49	48	47	-	45	-	43	-	41	-	-	38	37	36	35	-	-				
															32	31	-	29	28	27	-	-	24	23	-	-	-	19	18	17				
MX123 CONN ASSY 73 CKT BLK OPT0 KEY A/38	345661793	C-HSG-A0	G-CAP-0-P	TPA-A0	RS	LS	MAL	CPA	MSEAL	RSEAL	72	71	70	-	68	67	66	65	64	-	-	-	60	59	-	-	-	-	-	-	SALEABLE		345650003	
											-	-	50	-	48	47	46	45	-	43	-	-	40	39	38	-	-	-	-	-				-
															-	31	30	-	-	-	-	25	24	23	22	21	20	-	-	17				
MX123 CONN ASSY 73 CKT NAT OPT9 KEY F/73	345661803	C-HSG-F9	G-CAP-9-P	TPA-F9	RS	LS	MAL	CPA	MSEAL	RSEAL	-	-	-	-	-	-	-	-	-	-	-	-	-	-	-	-	-	-	-	SALEABLE		345650003		
											-	-	-	-	-	-	-	-	-	-	-	-	-	-	-	-	-	-	-				-	-
															-	-	-	-	-	-	-	-	-	-	-	-	-	-	-				-	-
MX123 CONN ASSY 73 CKT GRY OPT0 KEY B/24	345661813	C-HSG-B0	G-CAP-0-P	TPA-B0	RS	LS	MAL	CPA	MSEAL	RSEAL	-	-	-	69	-	-	-	65	64	63	-	-	-	-	-	-	-	-	-	SALEABLE		345650003		
											-	-	-	49	-	-	-	45	44	43	-	-	-	-	-	-	-	-	-				-	-
															-	-	-	-	-	-	-	-	-	-	22	21	20	19	18				17	
MX123 CONN ASSY 73 CKT BLK OPT0 KEY A/25	345661823	C-HSG-A0	G-CAP-0-P	TPA-A0	RS	LS	MAL	CPA	MSEAL	RSEAL	-	-	-	-	-	67	-	-	-	63	62	-	60	-	-	57	-	55	-	-	SALEABLE		345650003	
											-	51	-	-	48	-	46	45	44	43	-	-	40	39	-	-	-	35	-	-				
															-	-	-	-	-	-	-	25	-	-	-	-	-	-	-	-				
MX123 CONN ASSY 73 CKT BLK OPT0 KEY A/38	345661833	C-HSG-A0	G-CAP-0-P	TPA-A0	RS	LS	MAL	CPA	MSEAL	RSEAL	72	71	70	69	-	67	66	-	64	-	62	-	60	-	-	57	-	55	54	53	SALEABLE		345650003	
											-	51	-	49	48	-	46	45	44	43	42	-	40	39	-	-	-	35	-	-				
															-	-	-	-	-	-	26	-	-	-	22	21	-	-	-	-				
MX123 CONN ASSY 73 CKT BLK OPT0 KEY A/33	345661843	C-HSG-A0	G-CAP-0-P	TPA-A0	RS	LS	MAL	CPA	MSEAL	RSEAL	72	71	70	69	-	67	66	-	64	-	62	-	60	-	-	57	-	55	54	-	SALEABLE		345650003	
											-	51	-	49	48	-	46	45	44	43	42	-	40	39	-	-	-	-	-	-				
															-	-	-	-	-	-	26	25	-	-	-	-	-	-	-	-				
MX123 CONN ASSY 73 CKT BLK OPT0 KEY A/22	345661853	C-HSG-A0	G-CAP-0-P	TPA-A0	RS	LS	MAL	CPA	MSEAL	RSEAL	-	71	-	-	-	-	66	-	64	-	62	-	-	59	58	-	-	-	-	SALEABLE		345650003		
											-	51	-	-	-	-	46	45	-	42	-	-	39	38	-	-	-	-	-				-	
															32	31	-	-	-	27	26	-	-	23	22	-	-	-	-				-	
MX123 CONN ASSY 73 CKT GRY OPT0 KEY B/56	345661863	C-HSG-B0	G-CAP-0-P	TPA-B0	RS	LS	MAL	CPA	MSEAL	RSEAL	72	71	70	69	-	-	-	-	-	62	61	60	59	58	57	56	55	54	53	SALEABLE		345650003		
											52	51	50	49	48	47	-	-	44	-	42	41	40	39	38	37	36	35	34				33	
															-	31	-	-	-	26	25	24	23	22	21	20	19	18	-					
				-	15	14	13	12	11	-	9	8	7	6	5	4	3	2	1	-	-													

ASSEMBLY DESCRIPTION	ASSEMBLY PART NUMBER	CONNECTOR HOUSING	GROMMET CAP	TPA	RIGHT SLIDE	LEFT SLIDE	MATE ASSIST LEVER	CPA	MAT SEAL	RING SEAL	BLOCKED TERMINALS																		STATUS	COMMENTS	INTEGRAL COMPONENTS SOLD SEPARATELY
											CAVITY WITH A NUMBER INDICATES BLOCKED TERMINAL POSITION																				DRESS COVER
											CAVITY WITHOUT A NUMBER INDICATES OPEN TERMINAL POSITION																				
MX123 CONN ASSY 73 CKT BLU OPT0 KEY C/40	345661873	C-HSG-C0	G-CAP-0-P	TPA-C0	RS	LS	MAL	CPA	MSEAL	RSEAL	-	71	-	69	68	-	-	65	64	-	-	61	60	-	58	-	56	55	54	-	
											-	-	50	49	48	47	-	45	-	43	-	41	-	-	38	37	36	35	-	-	
											-																				
											-																				
MX123 CONN ASSY 73 CKT BLK OPT0 KEY A/34	345661883	C-HSG-A0	G-CAP-0-P	TPA-A0	RS	LS	MAL	CPA	MSEAL	RSEAL	72	71	-	69	-	-	-	-	64	63	62	61	60	59	-	-	56	-	54	53	
											52	51	50	-	48	-	46	45	-	-	-	-	-	-	38	-	36	-	34	33	
											-																				
											-																				
MX123 CONN ASSY 73 CKT BLU OPT0 KEY C/42	345661893	C-HSG-C0	G-CAP-0-P	TPA-C0	RS	LS	MAL	CPA	MSEAL	RSEAL	-	71	-	69	68	67	-	65	64	-	62	61	60	-	58	-	56	55	54	-	
											-	-	50	49	48	47	-	45	-	43	-	41	-	-	38	37	36	35	-	-	
											-																				
											-																				
MX123 CONN ASSY 73 CKT GRY OPT0 KEY B/42	345661913	C-HSG-B0	G-CAP-0-P	TPA-B0	RS	LS	MAL	CPA	MSEAL	RSEAL	-	71	-	69	-	67	-	65	64	63	62	61	-	-	58	57	56	-	-	-	
											-	51	-	49	-	47	-	45	44	43	42	41	-	-	38	37	36	-	-	-	
											-																				
											-																				
MX123 CONN ASSY 73 CKT BLK OPT0 KEY A/46	345661923	C-HSG-A0	G-CAP-0-P	TPA-A0	RS	LS	MAL	CPA	MSEAL	RSEAL	72	71	70	-	68	67	66	65	64	-	62	61	60	59	-	57	-	-	-	-	
											-	-	50	-	48	47	46	45	-	-	-	-	40	39	38	37	-	-	-	-	
											-																				
											-																				
MX123 CONN ASSY 73 CKT BLK OPT0 KEY A/35	345661933	C-HSG-A0	G-CAP-0-P	TPA-A0	RS	LS	MAL	CPA	MSEAL	RSEAL	72	71	-	69	68	-	-	-	64	63	62	61	60	59	-	-	56	-	54	53	
											52	51	50	-	48	-	46	45	-	-	-	-	-	-	38	-	36	-	34	33	
											-																				
											-																				
MX123 CONN ASSY 73 CKT BLK OPT0 KEY A/34	345661943	C-HSG-A0	G-CAP-0-P	TPA-A0	RS	LS	MAL	CPA	MSEAL	RSEAL	72	71	-	69	68	-	-	-	64	63	62	61	60	59	-	-	56	-	54	53	
											52	-	50	-	48	-	46	45	-	-	-	-	-	-	38	-	36	-	34	33	
											-																				
											-																				
MX123 CONN ASSY 73 CKT BLU OPT0 KEY C/42	345661953	C-HSG-C0	G-CAP-0-P	TPA-C0	RS	LS	MAL	CPA	MSEAL	RSEAL	-	71	-	69	68	67	-	65	64	-	62	61	60	-	58	-	56	55	54	-	
											-	-	50	49	-	-	-	45	-	43	-	41	-	-	38	37	36	35	-	-	
											-																				
											-																				
MX123 CONN ASSY 73 CKT BLU OPT0 KEY C/44	345661963	C-HSG-C0	G-CAP-0-P	TPA-C0	RS	LS	MAL	CPA	MSEAL	RSEAL	-	71	-	69	68	67	-	65	64	-	62	61	60	-	58	-	56	55	54	-	
											-	-	50	49	48	47	-	45	-	43	-	41	-	-	38	37	36	35	-	-	
											-																				
											-																				
MX123 CONN ASSY 73 CKT BLK OPT0 KEY A/43	345661973	C-HSG-A0	G-CAP-0-P	TPA-A0	RS	LS	MAL	CPA	MSEAL	RSEAL	72	71	70	-	68	67	66	65	64	-	62	61	60	59	58	57	-	-	-	-	
											-	-	50	-	48	47	46	45	-	-	-	-	40	39	38	37	-	-	-	-	
											-																				
											-																				
MX123 CONN ASSY 73 CKT GRY OPT0 KEY B/73	345661983	C-HSG-B0	G-CAP-0-P	TPA-B0	RS	LS	MAL	CPA	MSEAL	RSEAL	72	71	70	69	68	67	66	65	64	63	62	61	60	59	58	57	56	55	54	53	
											52	51	50	49	48	47	46	45	44	43	42	41	40	39	38	37	36	35	34	33	
											-																				
											-																				
MX123 CONN ASSY 73 CKT BLU OPT0 KEY C/73	345661993	C-HSG-C0	G-CAP-0-P	TPA-C0	RS	LS	MAL	CPA	MSEAL	RSEAL	72	71	70	69	68	67	66	65	64	63	62	61	60	59	58	57	56	55	54	53	
											52	51	50	49	48	47	46	45	44	43	42	41	40	39	38	37	36	35	34	33	
											-																				
											-																				



ASSEMBLY DESCRIPTION	ASSEMBLY PART NUMBER	CONNECTOR HOUSING	GROMMET CAP	TPA	RIGHT SLIDE	LEFT SLIDE	MATE ASSIST LEVER	CPA	MAT SEAL	RING SEAL	BLOCKED TERMINALS																STATUS	COMMENTS	INTEGRAL COMPONENTS SOLD SEPARATELY														
											CAVITY WITH A NUMBER INDICATES BLOCKED TERMINAL POSITION																		DRESS COVER														
											CAVITY WITHOUT A NUMBER INDICATES OPEN TERMINAL POSITION																																
MX123 CONN ASSY 73 CKT BLK OPT0 KEY A/31	345662013	C-HSG-A0	G-CAP-0-P	TPA-A0	RS	LS	MAL	CPA	MSEAL	RSEAL	72	-	-	69	68	67	66	-	64	63	62	61	-	-	-	-	56	55	-	-													
											52	-	-	-	-	47	-	-	44	-	42	-	-	-	38	-	-	-	34	-													
																											-	-	14	-	-	-	-	-	-	-	-	3	2	1			
																											-	-	-	-	-	-	-	-	-	-	-	-	-	-	-	-	-
MX123 CONN ASSY 73 CKT BLK OPT0 KEY A/38	345662023	C-HSG-A0	G-CAP-0-P	TPA-A0	RS	LS	MAL	CPA	MSEAL	RSEAL	72	71	-	69	-	-	-	-	64	63	62	61	60	59	-	-	56	-	54	53													
											52	51	50	-	48	-	46	45	-	-	-	-	40	-	38	-	36	-	34	33													
																											-	31	-	29	28	-	26	-	-	23	22	-	-	-	-	-	-
																											16	-	14	-	12	11	10	-	-	7	-	-	4	-	2	-	-
MX123 CONN ASSY 73 CKT BLK OPT0 KEY A/27	345662033	C-HSG-A0	G-CAP-0-P	TPA-A0	RS	LS	MAL	CPA	MSEAL	RSEAL	72	-	-	69	68	67	66	-	-	63	62	61	-	-	-	-	56	-	-	-													
											52	-	-	-	-	47	-	-	44	-	42	-	-	-	38	-	-	-	34	-													
																											-	-	-	29	28	27	26	25	-	-	-	21	-	19	18	17	
																											-	-	14	-	-	-	-	-	-	-	-	-	-	-	-	-	-
MX123 CONN ASSY 73 CKT BLK OPT0 KEY A/39	345662043	C-HSG-A0	G-CAP-0-P	TPA-A0	RS	LS	MAL	CPA	MSEAL	RSEAL	72	71	-	69	68	-	-	-	64	63	62	61	60	59	-	-	56	-	54	53													
											52	51	50	-	48	-	46	45	-	-	-	-	40	-	38	-	36	-	34	33													
																											-	31	-	29	28	-	26	-	-	23	22	-	-	-	-	-	-
																											16	-	14	-	12	11	10	-	-	7	-	-	4	-	2	-	-
MX123 CONN ASSY 73 CKT GRY OPT0 KEY B/41	345662053	C-HSG-B0	G-CAP-0-P	TPA-B0	RS	LS	MAL	CPA	MSEAL	RSEAL	72	71	-	69	-	-	-	-	64	63	62	61	60	59	-	-	56	-	54	53													
											52	51	50	-	48	-	46	45	-	-	-	-	40	-	38	-	36	35	34	33													
																											-	31	-	29	28	-	26	-	-	-	22	-	-	-	-	-	17
																											16	15	14	-	12	11	10	9	-	7	-	-	4	-	2	-	-
MX123 CONN ASSY 73 CKT BLK OPT0 KEY A/37	345662093	C-HSG-A0	G-CAP-0-P	TPA-A0	RS	LS	MAL	CPA	MSEAL	RSEAL	72	71	70	69	-	67	66	-	64	-	62	-	60	-	-	57	-	55	54	53													
											-	51	-	49	48	-	46	45	44	43	42	-	40	39	-	-	-	35	-	-	-												
																											-	-	-	-	-	-	26	-	-	-	22	21	-	-	-	-	-
																											-	15	14	-	-	-	-	-	-	8	7	6	5	4	3	2	-
MX123 CONN ASSY 73 CKT GRY OPT0 KEY B/27	345662133	C-HSG-B0	G-CAP-0-P	TPA-B0	RS	LS	MAL	CPA	MSEAL	RSEAL	72	-	-	69	68	67	66	-	-	63	62	61	-	-	-	-	56	-	-	-													
											52	-	-	-	-	47	-	-	44	-	42	-	-	-	38	-	-	-	34	-													
																											-	-	-	29	28	27	26	25	-	-	-	21	-	19	18	17	
																											-	-	14	-	-	-	-	-	-	-	-	-	-	-	-	-	-
MX123 CONN ASSY 73 CKT GRY OPT0 KEY B/31	345662143	C-HSG-B0	G-CAP-0-P	TPA-B0	RS	LS	MAL	CPA	MSEAL	RSEAL	72	-	-	69	68	67	66	-	64	63	62	61	-	-	-	-	56	55	-	-													
											52	-	-	-	-	47	-	-	44	-	42	-	-	-	38	-	-	-	34	-													
																											-	-	-	29	28	27	26	25	-	-	-	21	-	19	18	17	
																											-	-	14	-	-	-	-	-	-	-	-	-	-	-	3	2	1
MX123 CONN ASSY 73 CKT BLK OPT0 KEY A/41	345662153	C-HSG-A0	G-CAP-0-P	TPA-A0	RS	LS	MAL	CPA	MSEAL	RSEAL	72	71	-	69	-	-	-	-	64	63	62	61	60	59	-	-	56	-	54	53													
											52	51	50	-	48	-	46	45	-	-	-	-	40	-	38	-	36	35	34	33													
																											-	31	-	29	28	-	26	-	-	-	22	-	-	-	-	-	17
																											16	15	14	-	12	11	10	9	-	7	-	-	4	-	2	-	-
MX123 CONN ASSY 73 CKT BLK OPT0 KEY A/40	345662163	C-HSG-A0	G-CAP-0-P	TPA-A0	RS	LS	MAL	CPA	MSEAL	RSEAL	72	71	-	69	68	-	-	65	64	63	62	-	60	59	-	57	56	-	-	53													
											52	51	50	-	48	-	46	-	-	-	-	-	40	-	38	-	36	35	-	33													
																											-	31	30	29	28	-	26	25	-	23	22	-	-	-	-	-	-
																											16	-	14	-	12	-	10	-	8	7	-	-	4	-	2	-	-
MX123 CONN ASSY 73 CKT BLK OPT0 KEY A/36	345662173	C-HSG-A0	G-CAP-0-P	TPA-A0	RS	LS	MAL	CPA	MSEAL	RSEAL	72	71	-	69	68	-	-	-	64	63	62	-	60	59	-	57	56	-	-	53													
											52	51	50	-	48	-	46	-	-	-	-	-	40	-	38	-	36	35	-	33													
																											-	31	-	29	28	-	26	-	-	23	22	-	-	-	-	-	-
																											16	-	14	-	12	-	10	-	-	7	-	-	4	-	2	-	-
MX123 CONN ASSY 73 CKT BLK OPT0 KEY A/44	345662183	C-HSG-A0	G-CAP-0-P	TPA-A0	RS	LS	MAL	CPA	MSEAL	RSEAL	72	71	-	69	68	-	-	65	64	63	62	61	60	59	-	-	56	-	54	53													
											52	51	50	-	48	-	46	45	-	-	-	-	40	-	38	-	36	35	34	33													
																											-	31	30	29	28	-	26	25	-	23	22	-	-	-	-	-	-
																											16	-	14	-	12	11	10	-	8	7	-	-	4	-	2	-	-

ASSEMBLY DESCRIPTION	ASSEMBLY PART NUMBER	CONNECTOR HOUSING	GROMMET CAP	TPA	RIGHT SLIDE	LEFT SLIDE	MATE ASSIST LEVER	CPA	MAT SEAL	RING SEAL	BLOCKED TERMINALS																				STATUS	COMMENTS	INTEGRAL COMPONENTS SOLD SEPARATELY
											CAVITY WITH A NUMBER INDICATES BLOCKED TERMINAL POSITION																						DRESS COVER
											CAVITY WITHOUT A NUMBER INDICATES OPEN TERMINAL POSITION																						
MX123 CONN ASSY 73 CKT BLK OPT0 KEY A/40	345662193	C-HSG-A0	G-CAP-0-P	TPA-A0	RS	LS	MAL	CPA	MSEAL	RSEAL	72	71	-	69	68	-	-	-	64	63	62	61	60	59	-	-	56	-	54	53	SALEABLE		345650003
											52	51	50	-	48	-	46	45	-	-	-	-	40	-	38	-	36	35	34	33			
															-	31	-	29	28	-	26	-	-	23	22	-	-	-	-	-			
MX123 CONN ASSY 73 CKT BLK OPT0 KEY A/24	345662223	C-HSG-A0	G-CAP-0-P	TPA-A0	RS	LS	MAL	CPA	MSEAL	RSEAL	-	-	-	-	-	-	-	65	-	-	-	61	-	-	58	57	56	-	-	-	SALEABLE		345650003
											-	51	50	-	-	47	-	45	-	-	-	41	-	-	38	37	36	-	-	-			
															-	31	30	-	28	-	26	25	-	-	22	21	20	-	-	-			
MX123 CONN ASSY 73 CKT BLK OPT0 KEY A/48	345662233	C-HSG-A0	G-CAP-0-P	TPA-A0	RS	LS	MAL	CPA	MSEAL	RSEAL	72	71	70	-	68	67	66	65	64	-	62	61	60	59	-	57	-	55	-	53	SALEABLE		345650003
											-	-	50	-	48	47	46	45	-	-	-	-	40	39	38	37	-	-	-	-			
															-	31	30	29	-	27	-	25	24	23	22	21	20	-	-	17			
MX123 CONN ASSY 73 CKT BLK OPT0 KEY A/24	345662253	C-HSG-A0	G-CAP-0-P	TPA-A0	RS	LS	MAL	CPA	MSEAL	RSEAL	-	-	-	-	-	67	-	-	-	-	62	-	60	-	-	57	-	55	-	-	SALEABLE		345650003
											-	51	-	-	48	-	46	45	44	43	-	-	40	39	-	-	-	35	-	-			
															-	-	-	-	-	-	-	25	-	-	-	-	-	-	-	-			
MX123 CONN ASSY 73 CKT BLK OPT0 KEY A/44	345662263	C-HSG-A0	G-CAP-0-P	TPA-A0	RS	LS	MAL	CPA	MSEAL	RSEAL	72	71	70	-	68	67	66	65	64	-	62	61	60	59	-	57	-	-	-	-	SALEABLE		345650003
											-	-	-	-	48	47	46	45	-	-	-	-	40	39	38	37	-	-	-	-			
															-	31	30	29	-	27	-	25	24	23	22	21	20	-	-	17			
MX123 CONN ASSY 73 CKT BLK OPT0 KEY A/36	345662273	C-HSG-A0	G-CAP-0-P	TPA-A0	RS	LS	MAL	CPA	MSEAL	RSEAL	72	71	70	-	68	67	66	65	64	-	-	-	60	59	-	-	-	-	-	SALEABLE		345650003	
											-	-	-	-	48	47	46	45	-	-	-	-	40	39	38	-	-	-	-				-
															-	31	30	-	-	-	-	25	24	23	22	21	20	-	-				17
MX123 CONN ASSY 73 CKT GRY OPT0 KEY B/52	345662283	C-HSG-B0	G-CAP-0-P	TPA-B0	RS	LS	MAL	CPA	MSEAL	RSEAL	72	71	70	69	-	-	-	-	-	-	62	61	60	59	58	57	56	-	54	53	SALEABLE		345650003
											52	51	50	-	-	47	-	-	-	-	42	41	40	39	38	37	36	35	34	33			
															-	31	-	-	-	-	26	25	24	23	22	21	20	19	18	-			
MX123 CONN ASSY 73 CKT BLU OPT0 KEY C/44	345662293	C-HSG-C0	G-CAP-0-P	TPA-C0	RS	LS	MAL	CPA	MSEAL	RSEAL	-	71	-	69	-	67	-	65	64	-	62	61	60	-	58	-	56	55	54	-	SALEABLE		345650003
											-	-	50	49	-	-	-	45	-	43	-	41	-	-	38	37	36	35	-	-			
															32	31	-	29	28	27	-	-	24	23	-	-	20	19	18	17			
MX123 CONN ASSY 73 CKT BLU OPT0 KEY C/47	345662313	C-HSG-C0	G-CAP-0-P	TPA-C0	RS	LS	MAL	CPA	MSEAL	RSEAL	-	71	-	69	68	67	-	65	64	-	62	61	60	-	58	-	56	55	54	-	SALEABLE		345650003
											-	-	50	49	48	47	-	45	-	43	-	41	-	-	38	37	36	35	-	-			
															32	31	-	29	28	27	-	-	24	23	-	-	20	19	18	17			
MX123 CONN ASSY 73 CKT BLU OPT0 KEY C/41	345662323	C-HSG-C0	G-CAP-0-P	TPA-C0	RS	LS	MAL	CPA	MSEAL	RSEAL	-	71	-	69	-	67	-	65	64	-	62	61	60	-	58	-	56	55	54	-	SALEABLE		345650003
											-	-	50	49	-	-	-	45	-	43	-	41	-	-	38	37	36	35	-	-			
															32	31	-	29	28	27	-	-	24	23	-	-	19	18	17				
MX123 CONN ASSY 73 CKT BLK OPT0 KEY A/33	345662333	C-HSG-A0	G-CAP-0-P	TPA-A0	RS	LS	MAL	CPA	MSEAL	RSEAL	72	-	70	-	-	67	66	-	-	-	62	-	60	-	58	-	-	55	54	53	SALEABLE		345650003
											-	51	-	-	48	-	46	45	44	43	42	-	40	-	-	-	-	35	-	-			
															-	-	-	-	-	-	26	25	-	-	21	-	-	-	17				
MX123 CONN ASSY 73 CKT BLK OPT0 KEY A/36	345662343	C-HSG-A0	G-CAP-0-P	TPA-A0	RS	LS	MAL	CPA	MSEAL	RSEAL	-	71	-	69	-	-	-	-	64	63	62	61	60	59	-	-	56	-	54	53	SALEABLE		345650003
											52	51	50	-	48	-	46	45	-	-	-	-	40	-	38	-	36	-	34	33			
															-	31	-	29	28	-	26	-	-	23	22	-	-	-	-	-			



ASSEMBLY DESCRIPTION	ASSEMBLY PART NUMBER	CONNECTOR HOUSING	GROMMET CAP	TPA	RIGHT SLIDE	LEFT SLIDE	MATE ASSIST LEVER	CPA	MAT SEAL	RING SEAL	BLOCKED TERMINALS																			STATUS	COMMENTS	INTEGRAL COMPONENTS SOLD SEPARATELY		
											CAVITY WITH A NUMBER INDICATES BLOCKED TERMINAL POSITION																					DRESS COVER		
											CAVITY WITHOUT A NUMBER INDICATES OPEN TERMINAL POSITION																							
MX123 CONN ASSY 73 CKT BLK OPT0 KEY A/37	345662353	C-HSG-A0	G-CAP-0-P	TPA-A0	RS	LS	MAL	CPA	MSEAL	RSEAL	-	71	-	69	68	-	-	-	64	63	62	61	60	59	-	-	56	-	54	53	SALEABLE		345650003	
											52	51	50	-	48	-	46	45	-	-	-	-	40	-	38	-	36	-	34	33				
											-																			16				-
MX123 CONN ASSY 73 CKT BLU OPT0 KEY C/39	345662363	C-HSG-C0	G-CAP-0-P	TPA-C0	RS	LS	MAL	CPA	MSEAL	RSEAL	-	71	-	69	68	-	-	65	64	-	-	61	60	-	58	-	56	55	54	-	SALEABLE		345650003	
											-	-	50	49	48	47	-	45	-	43	-	41	-	-	-	37	36	35	-	-				
											-																			16				-
MX123 CONN ASSY 73 CKT GRY OPT0 KEY B/21	345662373	C-HSG-B0	G-CAP-0-P	TPA-B0	RS	LS	MAL	CPA	MSEAL	RSEAL	72	71	70	69	-	-	-	-	63	62	-	-	-	-	-	56	-	-	-	SALEABLE		345650003		
											52	-	-	-	-	-	-	-	44	-	-	-	-	-	-	36	-	-	-				-	
											-																						-	-
MX123 CONN ASSY 73 CKT GRY OPT0 KEY B/50	345662383	C-HSG-B0	G-CAP-0-P	TPA-B0	RS	LS	MAL	CPA	MSEAL	RSEAL	72	71	70	69	68	67	66	-	64	63	62	61	60	-	58	-	56	-	54	-	SALEABLE		345650003	
											52	51	-	-	-	47	-	45	44	43	42	41	40	-	38	-	36	-	34	-				
											-																			32				31
MX123 CONN ASSY 73 CKT GRY OPT0 KEY B/50	345662393	C-HSG-B0	G-CAP-0-P	TPA-B0	RS	LS	MAL	CPA	MSEAL	RSEAL	72	71	70	69	68	67	66	65	64	63	62	61	60	-	58	-	56	-	54	-	SALEABLE		345650003	
											52	51	-	-	-	47	-	45	44	43	42	41	40	-	38	-	36	-	34	-				
											-																			32				31
MX123 CONN ASSY 73 CKT BLK OPT0 KEY A/38	345662413	C-HSG-A0	G-CAP-0-P	TPA-A0	RS	LS	MAL	CPA	MSEAL	RSEAL	72	71	-	69	68	-	-	-	64	63	62	61	60	59	-	-	56	-	54	53	SALEABLE		345650003	
											52	51	50	-	48	-	46	45	-	-	-	-	40	-	38	-	36	-	34	33				
											-																			16				-
MX123 CONN ASSY 73 CKT BLK OPT0 KEY A/44	345662423	C-HSG-A0	G-CAP-0-P	TPA-A0	RS	LS	MAL	CPA	MSEAL	RSEAL	72	71	70	69	68	67	66	65	64	-	62	61	60	59	-	-	-	-	-	-	SALEABLE		345650003	
											-	-	50	-	48	47	46	45	-	-	-	-	40	39	38	37	-	-	-	-				-
											-																			-				31
MX123 CONN ASSY 73 CKT BLK OPT0 KEY A/44	345662433	C-HSG-A0	G-CAP-0-P	TPA-A0	RS	LS	MAL	CPA	MSEAL	RSEAL	72	71	70	-	68	67	66	65	64	-	62	61	60	59	58	57	-	-	-	-	-	SALEABLE		345650003
											-	-	50	-	48	47	46	45	-	-	-	-	40	39	38	37	-	-	-	-	-			
											-																			-	31			
MX123 CONN ASSY 73 CKT BLU OPT0 KEY C/40	345662443	C-HSG-C0	G-CAP-0-P	TPA-C0	RS	LS	MAL	CPA	MSEAL	RSEAL	-	71	-	69	-	67	-	65	64	-	62	61	60	-	58	-	56	55	54	-	SALEABLE		345650003	
											-	-	50	49	-	-	-	45	-	43	42	41	-	-	38	37	36	35	-	-				
											-																			16				-
MX123 CONN ASSY 73 CKT BLK OPT0 KEY A/36	345662453	C-HSG-A0	G-CAP-0-P	TPA-A0	RS	LS	MAL	CPA	MSEAL	RSEAL	72	-	70	-	68	67	66	-	-	-	62	61	60	59	-	-	-	-	-	SALEABLE		345650003		
											-	-	50	-	48	47	46	-	-	-	-	-	40	39	38	-	-	-	-				-	
											-																						-	31
MX123 CONN ASSY 73 CKT BLK OPT0 KEY A/36	345662463	C-HSG-A0	G-CAP-0-P	TPA-A0	RS	LS	MAL	CPA	MSEAL	RSEAL	72	-	70	-	68	67	66	-	-	-	62	61	60	59	58	-	-	-	-	-	SALEABLE		345650003	
											-	-	50	-	48	47	46	-	-	-	-	-	40	39	38	-	-	-	-	-				
											-																			-				31
MX123 CONN ASSY 73 CKT BLK OPT0 KEY A/37	345662473	C-HSG-A0	G-CAP-0-P	TPA-A0	RS	LS	MAL	CPA	MSEAL	RSEAL	72	71	-	69	-	-	-	-	64	63	62	61	60	59	-	-	56	-	54	53	SALEABLE		345650003	
											52	51	50	-	48	-	46	45	-	-	-	-	40	-	38	-	36	-	34	33				
											-																			16				-

ASSEMBLY DESCRIPTION	ASSEMBLY PART NUMBER	CONNECTOR HOUSING	GROMMET CAP	TPA	RIGHT SLIDE	LEFT SLIDE	MATE ASSIST LEVER	CPA	MAT SEAL	RING SEAL	BLOCKED TERMINALS																		STATUS	COMMENTS	INTEGRAL COMPONENTS SOLD SEPARATELY								
											CAVITY WITH A NUMBER INDICATES BLOCKED TERMINAL POSITION CAVITY WITHOUT A NUMBER INDICATES OPEN TERMINAL POSITION																				DRESS COVER								
MX123 CONN ASSY 73 CKT BLK OPT0 KEY A/36	345662483	C-HSG-A0	G-CAP-0-P	TPA-A0	RS	LS	MAL	CPA	MSEAL	RSEAL	72	71	70	-	68	67	66	65	64	-	-	-	60	59	-	-	-	-	-	-	-	-							
											-	-	50	-	48	47	46	45	-	-	-	-	40	39	38	-	-	-	-	-	-	-	-	-	-	-	-	-	-
																													-	31	30	-	-	-	-	25	24	-	22
MX123 CONN ASSY 73 CKT GRY OPT0 KEY B/23	345662493	C-HSG-B0	G-CAP-0-P	TPA-B0	RS	LS	MAL	CPA	MSEAL	RSEAL	-	-	-	69	-	-	-	65	64	63	-	-	-	-	-	-	-	-	-	-									
											-	-	-	49	-	-	-	45	44	43	-	-	-	-	-	-	-	-	-	-	-	-	-	-	-	-	-	-	
																													-	-	-	-	-	-	-	-	23	22	21
MX123 CONN ASSY 73 CKT BLK OPT0 KEY A/33	345662503	C-HSG-A0	G-CAP-0-P	TPA-A0	RS	LS	MAL	CPA	MSEAL	RSEAL	-	-	70	-	-	-	-	65	-	-	-	61	60	-	58	57	-	55	54	-									
											52	51	-	49	-	47	-	45	-	-	-	41	40	-	38	37	-	-	34	-	-	-	-	-	-	-	-		
																													-	31	-	-	28	-	26	25	24	-	22
MX123 CONN ASSY 73 CKT BLU OPT0 KEY C/37	345662513	C-HSG-C0	G-CAP-0-P	TPA-C0	RS	LS	MAL	CPA	MSEAL	RSEAL	-	71	-	69	-	-	-	65	64	-	-	61	60	-	58	-	56	55	54	-									
											-	-	50	49	-	-	-	45	-	43	-	41	-	-	38	37	36	35	-	-	-	-	-	-	-	-	-		
																													-	31	-	29	28	-	-	-	24	23	-
MX123 CONN ASSY 73 CKT BLK OPT0 KEY A/21	345662523	C-HSG-A0	G-CAP-0-P	TPA-A0	RS	LS	MAL	CPA	MSEAL	RSEAL	-	-	-	-	-	-	-	-	-	-	-	61	-	-	58	57	56	-	-	-	-								
											-	51	50	-	-	47	46	-	-	-	-	-	-	38	37	36	35	-	-	-	-	-	-	-	-	-	-		
																													-	31	30	-	-	-	26	-	-	-	22
MX123 CONN ASSY 73 CKT GRY OPT0 KEY B/34	345662533	C-HSG-B0	G-CAP-0-P	TPA-B0	RS	LS	MAL	CPA	MSEAL	RSEAL	72	71	70	69	68	-	-	-	64	-	62	61	60	-	-	-	-	-	54	-									
											52	51	-	-	-	47	-	-	44	-	42	41	40	-	-	-	-	-	-	-	-	-	-	-	-	-	-		
																													32	31	30	-	28	-	26	25	24	-	-
MX123 CONN ASSY 73 CKT BLU OPT0 KEY C/45	345662543	C-HSG-C0	G-CAP-0-P	TPA-C0	RS	LS	MAL	CPA	MSEAL	RSEAL	-	71	-	69	68	67	-	65	64	-	62	61	60	-	58	-	56	55	54	-									
											-	-	50	49	48	47	-	45	-	43	-	41	-	-	38	37	36	35	-	-	-	-	-	-	-	-	-		
																													-	31	-	29	28	-	-	-	24	23	-
MX123 CONN ASSY 73 CKT GRY OPT9 KEY B/24	345662553	C-HSG-B9	G-CAP-9-P	TPA-B9	RS	LS	MAL	CPA	MSEAL	RSEAL	-	-	-	69	-	-	-	65	64	63	-	-	-	-	-	-	-	-	-										
											-	-	-	49	-	-	-	45	44	43	-	-	-	-	-	-	22	21	20	19	18	17	-	-	-	-			
																													-	-	-	-	12	11	-	-	-	7	6
MX123 CONN ASSY 73 CKT BLK OPT9 KEY A/36	345662563	C-HSG-A9	G-CAP-9-P	TPA-A9	RS	LS	MAL	CPA	MSEAL	RSEAL	72	71	70	-	68	67	66	65	64	-	-	-	60	59	-	-	-	-	-	-	-								
											-	-	-	-	48	47	46	45	-	-	-	-	40	39	38	-	-	-	-	-	-	-	-	-	-	-			
																													-	31	30	-	-	-	-	25	24	23	22
MX123 CONN ASSY 73 CKT BLU OPT9 KEY C/42	345662573	C-HSG-C9	G-CAP-9-P	TPA-C9	RS	LS	MAL	CPA	MSEAL	RSEAL	-	71	-	69	68	67	-	65	64	-	-	61	60	-	58	-	56	55	54	-									
											-	-	50	49	48	47	-	45	-	43	-	41	-	-	38	37	36	35	-	-	-	-	-	-	-	-	-		
																													32	31	-	29	28	27	-	-	24	23	-
MX123 CONN ASSY 73 CKT BLK OPT0 KEY A/43	345662583	C-HSG-A0	G-CAP-0-P	TPA-A0	RS	LS	MAL	CPA	MSEAL	RSEAL	72	71	70	-	68	67	66	65	64	-	62	61	60	59	-	57	-	-	-	-	-	-							
											-	-	-	-	48	47	46	45	-	-	-	-	40	-	38	37	-	-	-	-	-	-	-	-	-	-	-		
																													-	31	30	29	-	27	-	25	24	23	22
MX123 CONN ASSY 73 CKT BLU OPT0 KEY C/44	345662593	C-HSG-C0	G-CAP-0-P	TPA-C0	RS	LS	MAL	CPA	MSEAL	RSEAL	-	71	-	69	68	67	-	65	64	-	-	61	60	-	58	-	56	55	54	-									
											-	-	50	49	48	47	-	45	-	43	-	41	-	-	38	37	36	35	-	-	-	-	-	-	-	-	-		
																													-	31	-	29	28	-	-	-	24	23	-

ASSEMBLY DESCRIPTION	ASSEMBLY PART NUMBER	CONNECTOR HOUSING	GROMMET CAP	TPA	RIGHT SLIDE	LEFT SLIDE	MATE ASSIST LEVER	CPA	MAT SEAL	RING SEAL	BLOCKED TERMINALS																				STATUS	COMMENTS	INTEGRAL COMPONENTS SOLD SEPARATELY	
											CAVITY WITH A NUMBER INDICATES BLOCKED TERMINAL POSITION																						DRESS COVER	
											CAVITY WITHOUT A NUMBER INDICATES OPEN TERMINAL POSITION																							
MX123 CONN ASSY 73 CKT GRY OPT0 KEY B/53	345662603	C-HSG-B0	G-CAP-0-P	TPA-B0	RS	LS	MAL	CPA	MSEAL	RSEAL	72	71	70	69	68	-	-	-	64	63	62	61	60	-	58	-	56	-	54	-	SALEABLE		345650003	
											52	51	50	-	-	-	46	45	-	43	42	41	40	-	38	-	36	-	34	-				
															32	31	30	-	-	27	26	25	24	-	22	-	20	19	18	17				
															16	15	14	13	12	11	10	9	8	-	6	5	4	3	2	1				
MX123 CONN ASSY 73 CKT BLU OPT9 KEY C/41	345662613	C-HSG-C0	G-CAP-9-P	TPA-C0	RS	LS	MAL	CPA	MSEAL	RSEAL	-	71	-	69	68	-	-	65	64	-	-	61	60	-	58	-	56	55	54	-	SALEABLE		345650003	
											-	-	50	49	48	47	-	45	-	43	-	41	-	-	38	37	36	35	-	-				
															32	31	-	29	28	-	-	-	24	23	-	-	-	19	18	17				
															16	-	-	13	12	11	-	-	8	7	-	-	-	3	2	1				
MX123 CONN ASSY 73 CKT BLK OPT0 KEY A/34	345662623	C-HSG-A0	G-CAP-0-P	TPA-A0	RS	LS	MAL	CPA	MSEAL	RSEAL	72	-	70	-	-	-	66	-	-	-	62	-	60	-	58	-	-	55	54	53	SALEABLE		345650003	
											52	51	-	-	48	-	46	45	44	43	42	-	40	39	-	-	-	35	-	-				
															-	-	-	-	-	-	26	25	-	-	22	21	-	-	-	17				
															-	15	14	-	-	-	-	-	8	-	6	5	-	3	2	1				
MX123 CONN ASSY 73 CKT BLK OPT0 KEY A/38	345662633	C-HSG-A0	G-CAP-0-P	TPA-A0	RS	LS	MAL	CPA	MSEAL	RSEAL	72	-	70	-	-	-	66	-	-	-	63	62	-	60	-	58	-	-	55	54	53	SALEABLE		345650003
											52	51	-	-	48	-	46	45	44	43	42	-	40	39	-	-	-	35	34	-				
															-	-	-	-	-	-	26	25	-	-	22	21	-	-	-	17				
															-	15	14	13	12	-	-	-	8	-	6	5	-	3	2	1				
MX123 CONN ASSY 73 CKT BLK OPT0 KEY A/32	345662643	C-HSG-A0	G-CAP-0-P	TPA-A0	RS	LS	MAL	CPA	MSEAL	RSEAL	72	-	70	-	-	-	66	-	-	-	62	-	60	-	58	-	-	55	54	53	SALEABLE		345650003	
											52	51	-	-	48	-	46	45	44	43	42	-	40	-	-	-	35	-	-					
															-	-	-	-	-	-	26	25	-	-	21	-	-	-	17					
															-	15	14	-	-	-	-	-	8	-	6	5	-	3	2	1				
MX123 CONN ASSY 73 CKT BLK OPT0 KEY A/36	345662653	C-HSG-A0	G-CAP-0-P	TPA-A0	RS	LS	MAL	CPA	MSEAL	RSEAL	72	-	70	-	-	-	66	-	-	-	63	62	-	60	-	58	-	-	55	54	53	SALEABLE		345650003
											52	51	-	-	48	-	46	45	44	43	42	-	40	-	-	-	35	34	-					
															-	-	-	-	-	-	26	25	-	-	21	-	-	-	17					
															-	15	14	13	12	-	-	-	8	-	6	5	-	3	2	1				
MX123 CONN ASSY 73 CKT GRY OPT0 KEY B/27	345662693	C-HSG-B0	G-CAP-0-P	TPA-B0	RS	LS	MAL	CPA	MSEAL	RSEAL	72	-	-	69	-	67	-	-	-	64	63	62	61	-	-	-	-	56	55	-	-	SALEABLE		345650003
											52	-	-	-	-	47	-	-	44	-	-	-	-	-	-	-	-	34	-	-				
															-	-	-	29	28	27	26	25	-	-	21	-	19	18	17					
															-	-	14	-	-	-	-	-	-	-	-	-	3	2	1					
MX123 CONN ASSY 73 CKT GRY OPT0 KEY B/55	345662703	C-HSG-B0	G-CAP-0-P	TPA-B0	RS	LS	MAL	CPA	MSEAL	RSEAL	72	71	70	69	68	67	66	-	64	63	62	61	60	-	58	-	56	-	54	-	SALEABLE		345650003	
											52	51	50	-	-	-	46	45	-	43	42	41	40	-	38	-	36	-	34	-				
															32	31	30	-	-	27	26	25	24	-	22	-	20	19	18	17				
															16	15	14	13	12	11	10	9	8	-	6	5	4	3	2	1				
MX123 CONN ASSY 73 CKT BLK OPT0 KEY A/33	345662713	C-HSG-A0	G-CAP-0-P	TPA-A0	RS	LS	MAL	CPA	MSEAL	RSEAL	72	71	70	-	-	67	66	-	-	-	62	-	-	-	-	57	-	55	54	53	SALEABLE		345650003	
											-	51	-	-	48	-	46	45	44	43	42	-	40	39	-	-	-	35	-	-				
															-	-	-	-	-	-	26	-	-	-	22	21	-	-	-	-				
															-	15	14	-	-	-	-	-	8	7	6	5	4	3	2	-				
MX123 CONN ASSY 73 CKT GRY OPT0 KEY B/20	345662723	C-HSG-B0	G-CAP-0-P	TPA-B0	RS	LS	MAL	CPA	MSEAL	RSEAL	72	-	-	69	-	67	-	-	-	-	62	61	-	-	-	-	-	-	-	-	SALEABLE		345650003	
											52	-	-	-	-	47	-	-	44	-	-	-	-	-	-	-	-	34	-	-				
															-	-	-	29	28	27	26	25	-	-	21	-	-	18	17					
															-	-	14	-	-	-	-	-	-	-	-	-	-	-	1					
MX123 CONN ASSY 73 CKT BLK OPT0 KEY A/35	345662733	C-HSG-A0	G-CAP-0-P	TPA-A0	RS	LS	MAL	CPA	MSEAL	RSEAL	72	71	-	69	-	-	-	-	64	63	62	61	60	59	-	-	56	-	54	53	SALEABLE		345650003	
											52	51	50	-	48	-	46	45	-	-	-	-	40	-	38	-	36	35	34	33				
															-	31	-	29	28	-	26	-	-	-	22	-	-	-	-	-				
															-	-	14	-	12	11	-	-	-	7	-	-	4	-	-	-				
MX123 CONN ASSY 73 CKT BLU OPT0 KEY C/41	345662743	C-HSG-C0	G-CAP-0-P	TPA-C0	RS	LS	MAL	CPA	MSEAL	RSEAL	-	71	-	69	68	-	-	65	64	-	-	61	60	-	58	-	56	55	54	-	SALEABLE		345650003	
											-	-	50	49	48	47	-	45	-	43	-	41	-	-	38	37	36	35	-	-				
															-	31	-	29	28	27	-	-	24	23	-	-	-	19	18	17				
															16	-	-	13	12	11	-	-	8	7	-	-	-	3	2	1				

ASSEMBLY DESCRIPTION	ASSEMBLY PART NUMBER	CONNECTOR HOUSING	GROMMET CAP	TPA	RIGHT SLIDE	LEFT SLIDE	MATE ASSIST LEVER	CPA	MAT SEAL	RING SEAL	BLOCKED TERMINALS																				STATUS	COMMENTS	INTEGRAL COMPONENTS SOLD SEPARATELY															
											CAVITY WITH A NUMBER INDICATES BLOCKED TERMINAL POSITION																						DRESS COVER															
											CAVITY WITHOUT A NUMBER INDICATES OPEN TERMINAL POSITION																																					
MX123 CONN ASSY 73 CKT BLK OPT0 KEY A/38	345662753	C-HSG-A0	G-CAP-0-P	TPA-A0	RS	LS	MAL	CPA	MSEAL	RSEAL	72	71	70	69	68	67	66	65	64	-	-	-	60	59	-	-	-	-	-	-	-	-	-															
											-	-	50	-	48	47	46	45	-	-	-	-	40	39	38	-	-	-	-	-	-	-	-	-	-	-	-	-	-	-								
											-	-	-	-	-	31	30	-	-	-	-	25	24	23	22	21	20	-	-	-	-	-	-	17	-	-	-	-	-	-								
MX123 CONN ASSY 73 CKT GRY OPT0 KEY B/25	345662763	C-HSG-B0	G-CAP-0-P	TPA-B0	RS	LS	MAL	CPA	MSEAL	RSEAL	-	-	-	69	-	-	-	65	64	63	-	-	-	-	-	-	-	-	-	-	-	-	-	-	-	-	-	-										
											-	-	-	49	-	-	-	45	44	43	-	-	-	-	-	-	-	-	-	-	-	-	-	-	-	-	-	-	-	-	-	-	-	-				
											-	-	-	-	-	-	-	-	-	-	-	-	23	22	21	20	19	18	17	-	-	-	-	-	-	-	-	-	-	-	-	-	-	-				
MX123 CONN ASSY 73 CKT BLK OPT9 KEY A/43	345662793	C-HSG-A9	G-CAP-9-P	TPA-A9	RS	LS	MAL	CPA	MSEAL	RSEAL	72	71	70	69	68	-	-	65	64	63	62	61	60	59	58	57	56	55	54	53																		
											52	51	50	49	-	-	46	45	44	43	42	-	40	39	38	37	36	35	34	33	-	-	-	-	-	-	-	-	-	-	-	-	-					
											-	-	-	-	-	-	-	-	-	-	28	-	26	-	24	23	-	-	20	-	-	-	-	-	-	-	-	-	-	2	-	-	-	-				
MX123 CONN ASSY 73 CKT GRY OPT9 KEY B/22	345662813	C-HSG-B9	G-CAP-9-P	TPA-B9	RS	LS	MAL	CPA	MSEAL	RSEAL	-	-	-	-	-	-	-	-	-	63	-	-	-	-	-	-	-	-	-	-	-	-	-	-	-	-	-	53										
											-	-	-	-	-	47	-	45	-	43	42	41	-	39	38	-	-	35	34	33	-	-	-	-	-	-	-	-	-	-	-	-	-	-				
											-	-	-	-	-	-	-	-	-	-	-	26	-	-	23	22	-	-	19	-	17	-	-	-	-	-	-	-	-	-	-	-	-	-	-			
MX123 CONN ASSY 73 CKT BLK OPT0 KEY A/46	345662823	C-HSG-A0	G-CAP-0-P	TPA-A0	RS	LS	MAL	CPA	MSEAL	RSEAL	72	71	70	69	68	-	-	65	64	63	62	61	60	59	58	57	56	55	54	53																		
											52	51	50	49	48	-	46	45	44	43	42	-	40	39	38	37	36	35	34	33	-	-	-	-	-	-	-	-	-	-	-	-	-	-				
											-	-	-	-	-	-	-	-	-	-	28	-	26	-	24	23	-	-	20	-	-	-	-	-	-	-	-	-	-	-	2	1	-	-	-			
MX123 CONN ASSY 73 CKT GRY OPT0 KEY B/26	345662833	C-HSG-B0	G-CAP-0-P	TPA-B0	RS	LS	MAL	CPA	MSEAL	RSEAL	-	-	-	-	-	-	-	-	-	64	63	62	-	-	59	58	-	-	-	-	-	-	-	-	-	-	-	-	53									
											-	-	-	-	-	47	-	45	-	43	42	41	-	39	38	-	-	35	34	33	-	-	-	-	-	-	-	-	-	-	-	-	-	-	-			
											-	-	-	-	-	-	-	-	-	-	-	26	25	-	23	22	-	-	-	-	-	-	-	-	-	-	-	-	-	-	-	-	-	-	-	-		
MX123 CONN ASSY 73 CKT BLK OPT0 KEY A/44	345662843	C-HSG-A0	G-CAP-0-P	TPA-A0	RS	LS	MAL	CPA	MSEAL	RSEAL	72	71	70	69	68	-	-	65	64	63	62	61	60	59	58	57	56	55	54	53																		
											52	51	50	49	48	-	46	45	44	43	42	-	40	39	38	37	36	35	34	33	-	-	-	-	-	-	-	-	-	-	-	-	-	-	-			
											-	-	-	-	-	-	-	-	-	-	28	-	26	-	24	23	-	-	20	-	-	-	-	-	-	-	-	-	-	-	2	1	-	-	-	-		
MX123 CONN ASSY 73 CKT GRY OPT0 KEY B/24	345662853	C-HSG-B0	G-CAP-0-P	TPA-B0	RS	LS	MAL	CPA	MSEAL	RSEAL	-	-	-	-	-	-	-	-	-	-	62	-	-	59	58	-	-	-	-	-	-	-	-	-	-	-	-	-	-	53								
											-	-	-	-	-	47	-	45	-	43	42	41	-	39	38	-	-	35	34	33	-	-	-	-	-	-	-	-	-	-	-	-	-	-	-	-		
											-	-	-	-	-	-	-	-	-	-	-	26	25	-	23	22	-	-	-	-	-	-	-	-	-	-	-	-	-	-	-	-	-	-	-	-	-	
MX123 CONN ASSY 73 CKT BLK OPT0 KEY A/23	345662863	C-HSG-A0	G-CAP-0-P	TPA-A0	RS	LS	MAL	CPA	MSEAL	RSEAL	-	-	-	-	-	-	-	65	-	-	-	61	-	-	58	57	56	-	-	-	-	-	-	-	-	-	-	-	-	-	-							
											-	51	50	-	-	47	-	45	-	-	-	41	-	-	38	37	36	-	-	-	-	-	-	-	-	-	-	-	-	-	-	-	-	-	-	-		
											-	-	-	-	-	31	30	-	-	-	26	25	-	-	22	21	20	-	-	-	-	-	-	-	-	-	-	-	-	-	-	-	-	-	-	-	-	-
MX123 CONN ASSY 73 CKT GRY OPT0 KEY B/37	345662873	C-HSG-B0	G-CAP-0-P	TPA-B0	RS	LS	MAL	CPA	MSEAL	RSEAL	-	-	-	-	-	-	-	65	64	63	62	61	60	-	-	-	-	-	-	54	-	-	-	-	-	-	-	-	-	-	-	-						
											-	-	-	-	-	-	-	46	45	44	43	42	41	40	-	-	-	-	-	-	-	-	-	-	-	-	-	-	-	-	-	-	-	-	-	-	-	-
											-	-	-	-	-	32	31	30	29	28	27	26	25	24	-	-	-	20	19	18	17	-	-	-	-	-	-	-	-	-	-	-	-	-	-	-	-	-
MX123 CONN ASSY 73 CKT BLK OPT0 KEY A/39	345662883	C-HSG-A0	G-CAP-0-P	TPA-A0	RS	LS	MAL	CPA	MSEAL	RSEAL	72	71	-	-	68	67	66	65	64	-	-	-	60	59	-	-	-	-	-	-	-	-	-	-	-	-	-	-	-	-	-	-	-					
											-	-	50	-	48	47	46	45	-	-	-	-	40	39	38	-	-	35	-	33	-	-	-	-	-	-	-	-	-	-	-	-	-	-	-	-	-	-
											-	-	-	-	-	31	30	-	-	-	-	25	24	23	22	21	20	-	-	-	-	-	-	-	-	-	-	-	-	-	-	-	-	-	-	-	-	-
MX123 CONN ASSY 73 CKT BLK OPT0 KEY A/35	345662893	C-HSG-A0	G-CAP-0-P	TPA-A0	RS	LS	MAL	CPA	MSEAL	RSEAL	-	71	70	-	68	-	66	-	64	-	62	61	-	59	58	-	-	55	54	-	-	-	-	-	-	-	-	-	-	-	-	-	-	-				
											52	51	50	-	48	-	-	45	-	-	42	41	-	39	38	-	-	-	34	-	-	-	-	-	-	-	-	-	-	-	-	-	-	-	-	-	-	-
											-	-	-	-	-	32	-	-	-	-	27	26	25	-	23	22	-	-	19	18	-	-	-	-	-	-	-	-	-	-	-	-	-	-	-	-	-	-

ASSEMBLY DESCRIPTION	ASSEMBLY PART NUMBER	CONNECTOR HOUSING	GROMMET CAP	TPA	RIGHT SLIDE	LEFT SLIDE	MATE ASSIST LEVER	CPA	MAT SEAL	RING SEAL	BLOCKED TERMINALS																STATUS	COMMENTS	INTEGRAL COMPONENTS SOLD SEPARATELY					
											CAVITY WITH A NUMBER INDICATES BLOCKED TERMINAL POSITION																		DRESS COVER					
											CAVITY WITHOUT A NUMBER INDICATES OPEN TERMINAL POSITION																							
MX123 CONN ASSY 73 CKT BLK OPT0 KEY A/24	345662903	C-HSG-A0	G-CAP-0-P	TPA-A0	RS	LS	MAL	CPA	MSEAL	RSEAL	-	-	-	-	-	-	-	-	65	-	-	-	-	60	-	58	57	56	-	-	-			
											-	-	50	-	-	47	46	45	-	-	-	-	40	-	38	37	36	-	-	-				
																											-	-	30	-	28	-	26	-
																-	15	14	-	-	-	10	-	-	-	-	-	-	-	-	-	-	-	-
MX123 CONN ASSY 73 CKT GRY OPT0 KEY B/55	345662913	C-HSG-B0	G-CAP-0-P	TPA-B0	RS	LS	MAL	CPA	MSEAL	RSEAL	72	71	70	69	-	-	66	65	-	63	62	61	60	59	-	57	56	55	54	53				
											52	51	50	49	48	47	-	-	44	43	42	41	40	39	-	37	36	35	34	33				
																											-	31	-	-	-	-	26	25
																16	-	14	-	12	11	-	9	8	7	6	5	4	3	2	-			
MX123 CONN ASSY 73 CKT GRY OPT0 KEY B/59	345662923	C-HSG-B0	G-CAP-0-P	TPA-B0	RS	LS	MAL	CPA	MSEAL	RSEAL	72	71	70	69	-	-	66	65	-	63	62	61	60	59	58	57	56	55	54	53				
											52	51	50	49	48	47	-	-	44	43	42	41	40	39	38	37	36	35	34	33				
																											-	31	-	-	-	-	26	25
																16	-	14	-	12	11	-	9	8	7	6	5	4	3	2	1			
MX123 CONN ASSY 73 CKT BLK OPT0 KEY A/37	345662933	C-HSG-A0	G-CAP-0-P	TPA-A0	RS	LS	MAL	CPA	MSEAL	RSEAL	-	71	70	-	68	-	66	-	64	-	62	61	-	59	58	-	-	55	54	-				
											52	51	50	-	48	-	46	45	-	-	42	41	-	39	38	-	-	-	34	-				
																											32	-	-	-	-	27	26	25
																-	-	-	13	12	-	-	9	8	7	6	-	-	-	-	-	-	-	
MX123 CONN ASSY 73 CKT GRY OPT0 KEY B/23	345662943	C-HSG-B0	G-CAP-0-P	TPA-B0	RS	LS	MAL	CPA	MSEAL	RSEAL	72	71	70	69	-	-	66	65	-	-	62	61	60	-	58	-	56	55	54	53				
											52	51	50	49	48	47	-	-	44	-	42	41	40	-	38	-	36	35	34	33				
																											-	31	-	-	-	-	26	25
																16	15	14	13	12	11	-	9	8	7	-	-	-	-	2	1			
MX123 CONN ASSY 73 CKT GRY OPT0 KEY B/21	345662953	C-HSG-B0	G-CAP-0-P	TPA-B0	RS	LS	MAL	CPA	MSEAL	RSEAL	72	71	70	69	-	-	66	65	-	-	62	61	60	-	58	57	56	55	54	53				
											52	51	50	49	48	47	-	-	44	-	42	41	40	-	38	37	36	35	-	33				
																											-	31	-	-	-	-	26	25
																16	15	14	13	12	11	-	9	8	7	-	-	-	-	2	1			
MX123 CONN ASSY 73 CKT BLK OPT9 KEY A/38	345662983	C-HSG-A9	G-CAP-9-P	TPA-A9	RS	LS	MAL	CPA	MSEAL	RSEAL	72	71	-	-	68	67	66	65	64	-	-	-	60	59	-	-	-	-	-	-				
											-	-	50	-	48	47	46	45	-	-	-	-	40	39	38	-	-	35	-	33				
																											-	31	30	-	-	-	-	25
																-	-	14	-	-	-	-	9	8	7	6	5	4	-	-	-	-	-	
MX123 CONN ASSY 73 CKT GRY OPT9 KEY B/49	345662993	C-HSG-B9	G-CAP-9-P	TPA-B9	RS	LS	MAL	CPA	MSEAL	RSEAL	-	-	-	69	-	-	-	65	64	63	-	-	-	-	-	-	-	-	-					
											-	-	-	49	-	-	-	45	44	43	-	-	-	-	-	-	-	-	-	-				
																											-	-	-	-	-	-	-	-
																-	-	-	-	12	11	-	-	-	7	6	5	4	3	2	1			
MX123 CONN ASSY 73 CKT BLK OPT0 KEY A/6	345663003	C-HSG-A0	G-CAP-0-P	TPA-A0	RS	LS	MAL	CPA	MSEAL	RSEAL	-	-	-	-	-	-	-	65	-	-	-	61	-	-	-	-	-	-	-					
											-	-	-	-	-	-	-	45	-	-	-	-	-	-	-	-	-	-	-	-				
																											-	-	-	-	-	-	26	-
																-	-	-	-	-	-	10	-	-	-	-	-	-	-	-	-	-	-	
MX123 CONN ASSY 73 CKT BLU OPT9 KEY C/41	345663013	C-HSG-C9	G-CAP-9-P	TPA-C9	RS	LS	MAL	CPA	MSEAL	RSEAL	-	-	-	-	-	-	-	65	64	-	-	61	60	-	58	-	-	-	54	-				
											-	-	50	49	48	47	-	45	-	43	-	41	-	-	-	37	36	35	-	-				
																											-	31	-	29	28	27	-	-
																16	-	-	13	12	11	-	-	8	7	-	-	-	-	2	1			
MX123 CONN ASSY 73 CKT BLU OPT0 KEY C/37	345663043	C-HSG-C0	G-CAP-0-P	TPA-C0	RS	LS	MAL	CPA	MSEAL	RSEAL	-	71	-	69	-	67	-	65	64	-	-	61	60	-	58	-	56	55	54	-				
											-	-	50	49	-	-	-	45	-	43	-	41	-	-	38	37	36	35	-	-				
																											-	31	-	29	28	-	-	-
																16	-	-	-	12	11	-	-	8	7	-	-	-	3	2	1			
MX123 CONN ASSY 73 CKT BLU OPT0 KEY C/38	345663053	C-HSG-C0	G-CAP-0-P	TPA-C0	RS	LS	MAL	CPA	MSEAL	RSEAL	-	71	-	69	-	67	-	65	64	-	-	61	60	-	58	-	56	55	54	-				
											-	-	50	49	-	-	-	45	-	43	-	41	-	-	37	36	35	-	-					
																											-	31	-	29	28	-	-	-
																16	-	-	-	12	11	-	-	8	7	-	-	-	3	2	1			



MX123 SEALED RCPT ASSY (73 Ckt)  
BOM & PIN OUT SHEET

ASSEMBLY DESCRIPTION	ASSEMBLY PART NUMBER	CONNECTOR HOUSING	GROMMET CAP	TPA	RIGHT SLIDE	LEFT SLIDE	MATE ASSIST LEVER	CPA	MAT SEAL	RING SEAL	BLOCKED TERMINALS																			STATUS	COMMENTS	INTEGRAL COMPONENTS SOLD SEPARATELY										
											DRESS COVER																															
											CAVITY WITH A NUMBER INDICATES BLOCKED TERMINAL POSITION CAVITY WITHOUT A NUMBER INDICATES OPEN TERMINAL POSITION																															
MX123 CONN ASSY 73 CKT BLK OPT0 KEY A/36	345663063	C-HSG-A0	G-CAP-0-P	TPA-A0	RS	LS	MAL	CPA	MSEAL	RSEAL	72	-	70	-	68	67	66	-	-	-	62	61	-	59	-	-	-	-	-	-	-	-	-	-								
											-	-	50	-	48	47	46	-	-	-	-	-	40	39	38	-	-	-	-	-	-	-	-	-	-	-	-	-	-			
															-	31	-	29	-	27	-	25	24	23	22	21	20	-	-	-	-	17										
															-	15	14	13	-	11	-	9	8	7	6	5	4	-	2	1												
MX123 CONN ASSY 73 CKT BLK OPT0 KEY A/39	345663073	C-HSG-A0	G-CAP-0-P	TPA-A0	RS	LS	MAL	CPA	MSEAL	RSEAL	72	-	70	-	68	67	66	-	-	-	62	61	-	59	58	-	-	-	-	-	-	-	-	-								
											-	-	50	-	48	47	46	-	-	-	-	-	40	39	38	-	-	-	-	-	-	-	-	-	-	-	-					
															-	31	-	29	-	27	-	25	24	-	22	21	20	-	-	-	-	17										
															-	15	14	13	-	11	-	9	-	-	-	5	4	-	2	1												
MX123 CONN ASSY 73 CKT BLK OPT0 KEY A/36	345663083	C-HSG-A0	G-CAP-0-P	TPA-A0	RS	LS	MAL	CPA	MSEAL	RSEAL	72	-	70	-	68	67	66	-	-	-	62	61	-	59	-	-	-	-	-	-	-	-	-	-								
											-	-	50	-	48	47	46	-	-	-	-	-	40	39	38	-	-	-	-	-	-	-	-	-	-	-	-					
															-	31	-	29	-	27	-	25	24	23	22	21	20	-	-	-	-	17										
															-	15	14	13	12	-	9	8	7	6	5	4	-	2	1													
MX123 CONN ASSY 73 CKT BLK OPT0 KEY A/36	345663093	C-HSG-A0	G-CAP-0-P	TPA-A0	RS	LS	MAL	CPA	MSEAL	RSEAL	72	-	70	-	68	67	66	65	-	-	-	61	-	59	58	-	-	-	-	-	-	-	-	-	-							
											-	-	50	-	48	47	46	-	-	-	-	-	40	39	38	-	-	-	-	-	-	-	-	-	-	-	-					
															-	31	-	29	-	27	-	25	24	-	22	21	20	-	-	-	-	17										
															-	15	14	13	-	11	-	9	8	7	6	5	4	-	2	1												
MX123 CONN ASSY 73 CKT GRY OPT0 KEY B/48	345663103	C-HSG-B0	G-CAP-0-P	TPA-B0	RS	LS	MAL	CPA	MSEAL	RSEAL	72	71	70	69	68	67	66	-	64	63	-	61	60	-	58	-	56	-	54	-												
											52	51	50	-	-	47	-	45	44	43	-	41	40	-	38	-	36	-	34	-												
															32	31	30	-	28	27	-	25	24	-	22	-	20	19	-	17												
															16	-	14	13	12	11	10	-	-	-	6	5	-	-	2	1												
MX123 CONN ASSY 73 CKT BLK OPT0 KEY A/39	345663113	C-HSG-A0	G-CAP-0-P	TPA-A0	RS	LS	MAL	CPA	MSEAL	RSEAL	72	-	70	-	68	67	66	-	-	-	62	61	-	59	58	-	-	-	-	-	-	-	-	-								
											-	-	50	-	48	47	46	-	-	-	-	-	40	39	38	-	-	-	-	-	-	-	-	-	-	-						
															-	31	-	29	-	27	-	25	24	-	22	-	20	-	-	-	17											
															-	15	14	13	-	11	-	9	-	7	6	-	4	-	2	1												
MX123 CONN ASSY 73 CKT GRY OPT0 KEY B/32	345663123	C-HSG-B0	G-CAP-0-P	TPA-B0	RS	LS	MAL	CPA	MSEAL	RSEAL	-	71	-	69	-	67	-	65	64	63	62	61	-	-	58	57	56	-	-	-	-	-	-	-								
											-	51	-	49	-	47	-	45	44	43	42	41	-	-	38	37	36	-	-	-	-	-	-	-	-	-						
															-	-	-	-	-	-	-	-	-	23	22	21	20	19	18	17												
															-	15	14	13	12	11	-	-	-	7	6	5	4	3	2	1												
MX123 CONN ASSY 73 CKT BLU OPT0 KEY C/36	345663133	C-HSG-C0	G-CAP-0-P	TPA-C0	RS	LS	MAL	CPA	MSEAL	RSEAL	-	71	-	69	-	-	-	65	64	-	-	61	60	-	58	-	56	55	54	-	-	-	-									
											-	-	50	49	-	-	-	45	-	43	-	41	-	-	38	37	36	35	-	-	-	-	-	-	-	-						
															-	31	-	29	28	27	-	-	24	23	-	-	19	18	17													
															16	-	-	13	12	11	-	-	8	7	-	-	3	2	1													
MX123 CONN ASSY 73 CKT BLU OPT0 KEY C/31	345663143	C-HSG-C0	G-CAP-0-P	TPA-C0	RS	LS	MAL	CPA	MSEAL	RSEAL	-	71	-	69	68	67	-	65	64	-	-	61	60	-	58	-	56	55	54	-	-	-	-									
											-	-	50	49	48	47	-	45	-	43	-	41	-	-	38	-	-	35	-	-	-	-	-	-	-							
															-	31	-	29	28	27	-	-	24	23	-	-	20	19	18	17												
															16	-	-	13	12	11	-	-	8	7	-	5	4	3	2	1												
MX123 CONN ASSY 73 CKT BLK OPT0 KEY A/26	345663153	C-HSG-A0	G-CAP-0-P	TPA-A0	RS	LS	MAL	CPA	MSEAL	RSEAL	72	71	-	-	68	67	66	65	64	-	62	61	60	59	-	57	-	55	-	53	-	-	-	-	-							
											-	-	50	-	48	-	46	45	-	-	-	-	40	39	38	37	-	35	-	33	-	-	-	-	-	-						
															-	31	30	29	-	27	-	25	24	23	22	21	20	-	-	-	17											
															-	15	14	13	-	11	-	9	8	7	6	5	4	-	2	1												
MX123 CONN ASSY 73 CKT BLU OPT0 KEY C/35	345663163	C-HSG-C0	G-CAP-0-P	TPA-C0	RS	LS	MAL	CPA	MSEAL	RSEAL	-	71	-	69	68	67	66	65	64	-	-	61	60	-	58	-	-	-	54	-	-	-	-									
											-	-	50	49	48	47	-	45	-	43	-	41	-	-	38	-	-	35	-	-	-	-	-	-	-							
															-	31	-	29	28	27	-	-	24	23	-	-	20	-	-	17												
															16	-	-	13	12	11	-	-	8	7	-	5	4	-	2	1												
MX123 CONN ASSY 73 CKT BLK OPT0 KEY A/29	345663173	C-HSG-A0	G-CAP-0-P	TPA-A0	RS	LS	MAL	CPA	MSEAL	RSEAL	72	71	-	-	68	67	66	65	64	-	62	61	60	59	-	57	-	55	-	53	-	-	-	-								
											-	-	50	-	48	-	46	45	-	-	-	-	40	39	38	37	-	35	-	33	-	-	-	-	-							
															-	31	30	29	-	27	-	25	24	23	22	21	20	-	-	-	17											
															-	15	14	13	-	11	-	9	8	7	6	5	4	-	-	-												



ASSEMBLY DESCRIPTION	ASSEMBLY PART NUMBER	CONNECTOR HOUSING	GROMMET CAP	TPA	RIGHT SLIDE	LEFT SLIDE	MATE ASSIST LEVER	CPA	MAT SEAL	RING SEAL	BLOCKED TERMINALS																STATUS	COMMENTS	INTEGRAL COMPONENTS SOLD SEPARATELY		
											CAVITY WITH A NUMBER INDICATES BLOCKED TERMINAL POSITION CAVITY WITHOUT A NUMBER INDICATES OPEN TERMINAL POSITION																		DRESS COVER		
MX123 CONN ASSY 73 CKT BLU OPT0 KEY C/30	345663183	C-HSG-C0	G-CAP-0-P	TPA-C0	RS	LS	MAL	CPA	MSEAL	RSEAL	-	71	-	69	68	67	-	65	64	-	-	61	60	-	58	-	-	-	54	-	
											-	-	50	49	48	47	-	45	-	43	-	41	-	-	38	37	36	35	-	-	
											-	-	-	-	32	31	-	29	28	27	-	-	24	23	-	-	20	19	18	17	
											-	-	-	-	16	-	-	13	12	11	-	-	8	7	-	5	4	3	2	1	
MX123 CONN ASSY 73 CKT BLK OPT0 KEY A/31	345663193	C-HSG-A0	G-CAP-0-P	TPA-A0	RS	LS	MAL	CPA	MSEAL	RSEAL	72	71	70	-	68	67	66	65	64	-	62	61	60	59	-	57	-	-	-	-	
											-	-	50	-	48	47	46	45	-	-	-	-	40	39	38	37	-	-	-	-	
											-	-	-	-	-	31	30	29	-	27	-	25	24	23	22	21	20	-	-	-	-
											-	-	-	-	-	15	14	13	-	11	-	9	8	7	6	5	4	-	-	-	-
MX123 CONN ASSY 73 CKT GRY OPT0 KEY B/42	345663203	C-HSG-B0	G-CAP-0-P	TPA-B0	RS	LS	MAL	CPA	MSEAL	RSEAL	72	71	70	69	68	-	66	65	64	63	62	61	-	-	-	-	-	54	-		
											52	51	-	-	-	47	-	45	44	43	42	41	40	-	-	-	36	-	-	-	
											-	-	-	-	-	32	31	30	-	28	27	26	25	24	-	-	-	20	19	-	17
											-	-	-	-	-	-	-	13	12	11	10	9	8	-	-	-	-	-	-	2	1
MX123 CONN ASSY 73 CKT BLU OPT0 KEY C/31	345663213	C-HSG-C0	G-CAP-0-P	TPA-C0	RS	LS	MAL	CPA	MSEAL	RSEAL	-	71	-	69	68	-	-	65	64	-	-	61	60	-	58	57	-	55	54	-	
											-	-	50	49	48	47	-	45	-	43	-	41	-	39	38	37	36	35	-	-	
											-	-	-	-	-	31	-	29	28	27	-	-	24	23	-	-	20	19	18	17	
											-	-	-	-	16	-	-	13	12	11	-	-	8	7	-	-	-	-	3	2	1
MX123 CONN ASSY 73 CKT BLU OPT0 KEY C/33	345663223	C-HSG-C0	G-CAP-0-P	TPA-C0	RS	LS	MAL	CPA	MSEAL	RSEAL	-	71	-	69	68	-	-	65	64	-	-	61	60	-	58	-	56	55	54	-	
											-	-	50	49	48	47	-	45	-	43	-	41	-	-	38	37	36	35	-	-	
											-	-	-	-	-	31	-	29	28	-	-	-	24	23	-	-	20	19	18	17	
											-	-	-	-	16	-	-	13	12	11	-	-	8	7	-	-	-	-	3	2	1
MX123 CONN ASSY 73 CKT BLK OPT0 KEY A/36	345663233	C-HSG-A0	G-CAP-0-P	TPA-A0	RS	LS	MAL	CPA	MSEAL	RSEAL	72	71	-	-	68	67	66	65	64	-	-	-	60	59	-	-	-	-	-	-	
											-	-	50	-	48	47	46	45	-	-	-	-	40	39	38	-	-	35	-	33	
											-	-	-	-	-	31	30	-	-	-	-	25	24	23	22	21	20	-	-	-	17
											-	-	-	-	-	-	-	14	-	-	-	9	8	7	6	5	4	-	-	2	1
MX123 CONN ASSY 73 CKT BLU OPT0 KEY C/31	345663243	C-HSG-C0	G-CAP-0-P	TPA-C0	RS	LS	MAL	CPA	MSEAL	RSEAL	-	71	-	69	68	67	-	65	64	-	-	61	60	-	58	-	56	55	54	-	
											-	-	50	49	48	47	-	45	-	43	-	41	-	-	38	37	36	35	-	-	
											-	-	-	-	-	31	-	29	28	27	-	-	24	23	-	-	20	19	18	17	
											-	-	-	-	16	-	-	13	12	11	-	-	8	7	-	-	-	-	3	2	1
MX123 CONN ASSY 73 CKT BLK OPT0 KEY A/28	345663253	C-HSG-A0	G-CAP-0-P	TPA-A0	RS	LS	MAL	CPA	MSEAL	RSEAL	72	71	-	-	68	67	66	65	64	-	62	61	60	59	-	57	-	-	-	-	
											-	-	50	-	48	47	46	45	-	-	-	-	40	39	38	37	-	35	-	33	
											-	-	-	-	-	31	30	29	-	27	-	25	24	23	22	21	20	-	-	-	17
											-	-	-	-	-	-	-	14	13	-	11	-	9	8	7	6	5	4	-	-	2
MX123 CONN ASSY 73 CKT BLU OPT0 KEY C/36	345663263	C-HSG-C0	G-CAP-0-P	TPA-C0	RS	LS	MAL	CPA	MSEAL	RSEAL	-	71	-	69	68	67	-	65	64	-	-	61	60	-	58	-	56	55	54	-	
											-	-	50	49	48	47	-	45	-	43	-	41	-	-	38	37	36	35	-	-	
											-	-	-	-	-	31	-	29	28	27	-	-	24	23	-	-	20	-	-	-	17
											-	-	-	-	16	-	-	13	12	11	-	-	8	7	-	-	-	-	-	2	1
MX123 CONN ASSY 73 CKT BLK OPT0 KEY A/31	345663273	C-HSG-A0	G-CAP-0-P	TPA-A0	RS	LS	MAL	CPA	MSEAL	RSEAL	72	71	-	-	68	67	66	65	64	-	62	61	60	59	-	57	-	-	-	-	
											-	-	50	-	48	47	46	45	-	-	-	-	40	39	38	37	-	35	-	33	
											-	-	-	-	-	31	30	29	-	27	-	25	24	23	22	21	20	-	-	-	17
											-	-	-	-	-	-	-	14	13	-	11	-	9	8	7	6	5	4	-	-	-
MX123 CONN ASSY 73 CKT BLU OPT0 KEY C/31	345663283	C-HSG-C0	G-CAP-0-P	TPA-C0	RS	LS	MAL	CPA	MSEAL	RSEAL	-	71	-	69	68	-	-	65	64	-	-	61	60	-	58	-	56	55	54	-	
											-	-	50	49	48	47	-	45	-	43	-	41	-	-	38	37	36	35	-	-	
											-	-	-	-	-	32	31	-	29	28	27	-	-	24	23	-	-	20	19	18	17
											-	-	-	-	16	-	-	13	12	11	-	-	8	7	-	-	-	-	3	2	1
MX123 CONN ASSY 73 CKT GRY OPT0 KEY B/49	345663293	C-HSG-B0	G-CAP-0-P	TPA-B0	RS	LS	MAL	CPA	MSEAL	RSEAL	-	-	-	69	-	-	-	65	64	63	-	-	-	-	-	-	-	-	-		
											-	-	-	49	-	-	46	45	44	43	-	-	-	-	-	-	-	-	-	-	-
											-	-	-	-	-	-	-	-	-	-	-	-	-	-	22	21	20	19	18	17	
											-	-	-	-	-	-	-	-	12	11	-	-	-	7	6	5	4	3	2	1	

ASSEMBLY DESCRIPTION	ASSEMBLY PART NUMBER	CONNECTOR HOUSING	GROMMET CAP	TPA	RIGHT SLIDE	LEFT SLIDE	MATE ASSIST LEVER	CPA	MAT SEAL	RING SEAL	BLOCKED TERMINALS																		STATUS	COMMENTS	INTEGRAL COMPONENTS SOLD SEPARATELY
											CAVITY WITH A NUMBER INDICATES BLOCKED TERMINAL POSITION CAVITY WITHOUT A NUMBER INDICATES OPEN TERMINAL POSITION																				DRESS COVER
MX123 CONN ASSY 73 CKT GRY OPT0 KEY B/44	345663303	C-HSG-B0	G-CAP-0-P	TPA-B0	RS	LS	MAL	CPA	MSEAL	RSEAL	72	71	70	69	68	67	66	65	64	63	62	61	60	-	-	-	-	-	54	-	
											52	51	-	-	-	47	-	45	44	43	42	41	40	-	-	-	36	-	-	-	
															32	31	30	-	28	27	26	25	24	-	-	-	20	19	-	17	
MX123 CONN ASSY 73 CKT BLU OPT0 KEY C/28	345663313	C-HSG-C0	G-CAP-0-P	TPA-C0	RS	LS	MAL	CPA	MSEAL	RSEAL	-	71	-	69	68	67	66	65	64	-	-	61	60	-	58	-	56	55	54	-	
											-	-	50	49	48	47	-	45	-	43	-	41	-	-	38	37	36	35	-	-	
															-	31	-	29	28	27	-	-	24	23	-	-	20	19	18	17	
MX123 CONN ASSY 73 CKT GRY OPT0 KEY B/25	345663323	C-HSG-B0	G-CAP-0-P	TPA-B0	RS	LS	MAL	CPA	MSEAL	RSEAL	72	71	70	69	-	-	-	-	-	-	62	61	60	59	-	57	56	-	54	53	
											52	51	50	-	-	47	-	-	-	-	42	41	40	39	-	37	36	35	34	33	
															-	31	-	-	-	-	26	25	24	23	-	21	20	19	18	-	
MX123 CONN ASSY 73 CKT BLK OPT0 KEY A/49	345663333	C-HSG-A0	G-CAP-0-P	TPA-A0	RS	LS	MAL	CPA	MSEAL	RSEAL	-	-	-	-	-	67	66	-	-	-	62	-	60	-	-	-	55	-	53		
											-	-	-	-	48	-	46	45	44	43	-	-	40	39	-	-	-	35	-	-	
															-	-	-	-	-	-	25	-	-	22	21	-	-	-	-	-	
MX123 CONN ASSY 73 CKT BLK OPT0 KEY A/41	345663343	C-HSG-A0	G-CAP-0-P	TPA-A0	RS	LS	MAL	CPA	MSEAL	RSEAL	-	71	70	-	68	-	-	-	64	-	62	61	-	59	58	-	-	55	54	-	
											52	51	50	-	48	-	46	45	-	-	-	41	-	39	38	-	-	-	34	-	
															32	-	-	-	-	27	-	25	-	23	22	-	-	19	18	-	
MX123 CONN ASSY 73 CKT GRY OPT0 KEY B/23	345663353	C-HSG-B0	G-CAP-0-P	TPA-B0	RS	LS	MAL	CPA	MSEAL	RSEAL	72	71	70	69	-	-	66	65	-	63	62	61	60	-	-	57	56	55	-	53	
											52	51	50	49	48	47	-	-	44	43	42	41	40	-	-	37	36	35	34	33	
															-	31	-	-	-	-	26	25	24	-	-	21	20	19	18	-	
MX123 CONN ASSY 73 CKT BLK OPT0 KEY A/45	345663363	C-HSG-A0	G-CAP-0-P	TPA-A0	RS	LS	MAL	CPA	MSEAL	RSEAL	72	-	70	-	-	67	66	-	-	-	62	-	60	-	58	-	-	55	-	53	
											-	51	-	-	48	-	46	45	44	43	-	-	-	-	-	-	-	35	-	-	
															-	-	-	-	-	-	25	-	-	-	21	-	-	-	17	-	
MX123 CONN ASSY 73 CKT BLU OPT9 KEY C/41	345663373	C-HSG-C9	G-CAP-9-P	TPA-C9	RS	LS	MAL	CPA	MSEAL	RSEAL	-	71	-	69	-	-	-	65	64	-	-	61	60	-	58	-	56	55	54	-	
											-	-	50	49	-	-	-	45	-	43	-	41	-	-	-	37	36	35	-	-	
															-	31	-	29	28	27	-	-	24	23	-	-	20	-	-	17	
MX123 CONN ASSY 73 CKT BLK OPT0 KEY A/44	345663383	C-HSG-A0	G-CAP-0-P	TPA-A0	RS	LS	MAL	CPA	MSEAL	RSEAL	72	71	-	-	-	67	66	-	-	-	62	-	60	-	-	-	55	-	53		
											-	51	-	-	-	-	46	45	44	43	-	-	40	39	-	-	-	35	-	-	
															-	-	-	-	-	-	25	-	-	22	21	-	-	-	17	-	
MX123 CONN ASSY 73 CKT BLU OPT0 KEY C/35	345663393	C-HSG-C0	G-CAP-0-P	TPA-C0	RS	LS	MAL	CPA	MSEAL	RSEAL	-	71	-	69	-	-	-	65	64	-	-	61	60	-	58	-	56	55	54	-	
											-	-	50	49	-	-	-	45	-	43	-	41	-	-	38	37	36	35	-	-	
															-	31	-	29	28	27	-	-	24	23	-	-	20	19	18	17	
MX123 CONN ASSY 73 CKT BLK OPT0 KEY A/6	345663403	C-HSG-A0	G-CAP-0-P	TPA-A0	RS	LS	MAL	CPA	MSEAL	RSEAL	-	-	-	-	-	-	-	65	-	-	-	61	-	-	-	-	-	-	-		
											-	-	-	-	-	-	-	45	-	-	-	-	-	-	-	-	-	-	-	-	
															-	-	-	-	-	-	26	-	-	-	-	-	-	-	-	-	
MX123 CONN ASSY 73 CKT BLK OPT0 KEY A/45	345663413	C-HSG-A0	G-CAP-0-P	TPA-A0	RS	LS	MAL	CPA	MSEAL	RSEAL	-	71	-	69	68	-	-	-	64	63	62	-	60	59	-	-	56	-	-	53	
											52	51	-	-	48	-	46	-	-	-	-	40	-	38	-	36	-	34	33		
															-	31	-	29	28	-	-	-	23	22	-	-	-	-	-	-	



ASSEMBLY DESCRIPTION	ASSEMBLY PART NUMBER	CONNECTOR HOUSING	GROMMET CAP	TPA	RIGHT SLIDE	LEFT SLIDE	MATE ASSIST LEVER	CPA	MAT SEAL	RING SEAL	BLOCKED TERMINALS																		STATUS	COMMENTS	INTEGRAL COMPONENTS SOLD SEPARATELY		
											CAVITY WITH A NUMBER INDICATES BLOCKED TERMINAL POSITION																				DRESS COVER		
											CAVITY WITHOUT A NUMBER INDICATES OPEN TERMINAL POSITION																						
MX123 CONN ASSY 73 CKT BLU OPT9 KEY C/31	345663423	C-HSG-C9	G-CAP-9-P	TPA-C9	RS	LS	MAL	CPA	MSEAL	RSEAL	72	71	70	-	68	67	66	65	64	-	62	61	60	59	-	57	-	-	-	-			
											-	-	50	-	48	47	46	45	-	-	-	-	40	39	38	37	-	-	-	-	-		
											-																		-	15	14	13	-
MX123 CONN ASSY 73 CKT BLU OPT9 KEY C/30	345663433	C-HSG-C9	G-CAP-9-P	TPA-C9	RS	LS	MAL	CPA	MSEAL	RSEAL	-	71	-	69	68	67	-	65	64	-	-	61	60	-	58	-	-	-	54	-			
											-	-	50	49	48	47	-	45	-	43	-	41	-	-	38	37	36	35	-	-	-	-	
											-																		32	31	-	29	28
MX123 CONN ASSY 73 CKT BLK OPT0 KEY A/36	345663443	C-HSG-A0	G-CAP-0-P	TPA-A0	RS	LS	MAL	CPA	MSEAL	RSEAL	72	-	70	-	68	67	66	-	-	-	62	61	-	59	58	-	-	-	-	-			
											-	-	50	-	48	47	46	-	-	-	-	-	40	39	38	-	-	-	-	-	-	-	
											-																		-	31	-	29	-
MX123 CONN ASSY 73 CKT BLK OPT0 KEY A/6	345663453	C-HSG-A0	G-CAP-0-P	TPA-A0	RS	LS	MAL	CPA	MSEAL	RSEAL	72	71	70	69	68	67	66	65	64	63	62	-	60	59	58	57	56	55	54	53			
											52	51	50	49	48	47	46	45	44	43	42	41	40	39	38	37	36	35	34	33			
											-																		32	31	30	29	28
MX123 CONN ASSY 73 CKT GRY OPT9 KEY B/54	345663473	C-HSG-B9	G-CAP-9-P	TPA-B9	RS	LS	MAL	CPA	MSEAL	RSEAL	-	-	-	-	-	-	-	-	-	63	-	-	-	-	-	-	-	-	53				
											-	-	-	-	48	47	-	45	-	43	42	41	-	39	-	-	-	35	34	33			
											-																		-	-	-	-	-
MX123 CONN ASSY 73 CKT GRY OPT0 KEY B/51	345663483	C-HSG-B0	G-CAP-0-P	TPA-B0	RS	LS	MAL	CPA	MSEAL	RSEAL	-	-	-	-	-	-	-	64	63	62	-	-	59	58	-	-	-	-	53				
											-	-	-	-	-	47	-	45	-	43	42	41	-	39	-	-	-	35	34	33			
											-																		-	-	-	-	-
MX123 CONN ASSY 73 CKT BLK OPT0 KEY A/44	345663493	C-HSG-A0	G-CAP-0-P	TPA-A0	RS	LS	MAL	CPA	MSEAL	RSEAL	-	71	-	69	68	-	-	-	64	63	62	-	60	59	-	-	56	-	-	53			
											52	51	50	-	48	-	46	-	-	-	-	-	40	-	38	-	36	-	34	33			
											-																		-	31	-	29	28
MX123 CONN ASSY 73 CKT BLK OPT0 KEY A/32	345663503	C-HSG-A0	G-CAP-0-P	TPA-A0	RS	LS	MAL	CPA	MSEAL	RSEAL	-	-	70	-	-	-	-	65	-	-	-	61	-	-	58	57	56	55	54	53			
											-	51	50	-	-	47	-	45	-	-	-	41	-	-	38	37	36	-	34	-			
											-																		-	31	30	-	28
MX123 CONN ASSY 73 CKT BLK OPT0 KEY A/37	345663513	C-HSG-A0	G-CAP-0-P	TPA-A0	RS	LS	MAL	CPA	MSEAL	RSEAL	72	71	-	-	68	67	66	65	64	-	-	-	-	59	-	-	-	-	-	-			
											-	-	50	-	48	47	46	45	-	-	-	-	40	39	38	-	-	35	-	33			
											-																		-	31	30	-	-
MX123 CONN ASSY 73 CKT BLK OPT0 KEY A/31	345663523	C-HSG-A0	G-CAP-0-P	TPA-A0	RS	LS	MAL	CPA	MSEAL	RSEAL	-	71	-	69	68	67	-	65	64	-	-	61	60	59	58	57	-	-	-	53			
											-	51	50	-	48	47	46	45	44	-	-	41	40	39	38	37	-	-	-	33			
											-																		32	-	30	29	-
MX123 CONN ASSY 73 CKT BLK OPT9 KEY A/31	345663533	C-HSG-A9	G-CAP-9-P	TPA-A9	RS	LS	MAL	CPA	MSEAL	RSEAL	72	71	70	-	68	67	66	65	64	-	62	61	60	59	-	57	-	-	-	-			
											-	-	50	-	48	47	46	45	-	-	-	-	40	39	38	37	-	-	-	-	-		
											-																		-	31	30	29	-
MX123 CONN ASSY 73 CKT BLK OPT9 KEY A/30	345663543	C-HSG-A9	G-CAP-9-P	TPA-A9	RS	LS	MAL	CPA	MSEAL	RSEAL	-	71	-	69	68	67	-	65	64	-	-	61	60	-	58	-	-	-	54	-			
											-	-	50	49	48	47	-	45	-	43	-	41	-	-	38	37	36	35	-	-	-	-	
											-																		32	31	-	29	28
-																		16	-	-	13	12	11	-	-	8	7	-	5	4	3	2	1





ASSEMBLY DESCRIPTION	ASSEMBLY PART NUMBER	CONNECTOR HOUSING	GROMMET CAP	TPA	RIGHT SLIDE	LEFT SLIDE	MATE ASSIST LEVER	CPA	MAT SEAL	RING SEAL	BLOCKED TERMINALS																		STATUS	COMMENTS	INTEGRAL COMPONENTS SOLD SEPARATELY			
											CAVITY WITH A NUMBER INDICATES BLOCKED TERMINAL POSITION																				DRESS COVER			
											CAVITY WITHOUT A NUMBER INDICATES OPEN TERMINAL POSITION																							
MX123 CONN ASSY 73 CKT BLK OPT0 KEY A/32	345663803	C-HSG-A0	G-CAP-0-P	TPA-A0	RS	LS	MAL	CPA	MSEAL	RSEAL	-	-	70	-	-	-	-	65	-	-	-	61	60	-	58	57	-	55	54	-	SALEABLE		345650003	
											52	51	-	49	-	47	-	45	-	-	-	41	40	-	38	37	-	-	34	-				
											-																		16	15				-
MX123 CONN ASSY 73 CKT BLU OPT0 KEY C/42	345663813	C-HSG-C0	G-CAP-0-P	TPA-C0	RS	LS	MAL	CPA	MSEAL	RSEAL	-	71	-	69	-	67	-	65	64	-	-	61	60	-	58	-	56	55	54	-	SALEABLE		345650003	
											-	-	50	49	-	-	-	45	-	43	-	41	-	-	-	-	-	35	-	-				
											-																		16	-				-
MX123 CONN ASSY 73 CKT BLK OPT0 KEY A/30	345663823	C-HSG-A0	G-CAP-0-P	TPA-A0	RS	LS	MAL	CPA	MSEAL	RSEAL	72	71	-	-	68	67	66	65	64	-	-	62	-	60	59	-	-	-	-	-	-	SALEABLE		345650003
											-	-	50	-	48	47	46	45	-	-	42	-	40	39	38	-	-	35	-	33				
											-																		-	31	30			
MX123 CONN ASSY 73 CKT BLK OPT0 KEY A/37	345663833	C-HSG-A0	G-CAP-0-P	TPA-A0	RS	LS	MAL	CPA	MSEAL	RSEAL	72	71	-	-	68	67	66	65	64	-	-	-	60	59	58	-	-	-	-	-	SALEABLE		345650003	
											-	-	50	-	48	47	46	45	-	-	-	-	40	39	38	-	-	35	-	33				
											-																		-	31				30
MX123 CONN ASSY 73 CKT BLK OPT0 KEY A/51	345663843	C-HSG-A0	G-CAP-0-P	TPA-A0	RS	LS	MAL	CPA	MSEAL	RSEAL	-	-	-	-	-	-	-	65	-	-	-	61	-	-	58	57	56	-	-	-	SALEABLE		345650003	
											-	51	50	-	-	47	46	45	-	-	-	-	-	-	38	37	36	-	-	-				
											-																		-	31				30
MX123 CONN ASSY 73 CKT BLK OPT0 KEY A/53	345663853	C-HSG-A0	G-CAP-0-P	TPA-A0	RS	LS	MAL	CPA	MSEAL	RSEAL	-	-	-	-	-	-	-	-	-	-	-	61	-	-	58	57	56	-	-	-	SALEABLE		345650003	
											-	51	50	-	-	47	46	-	-	-	-	-	-	-	38	37	36	-	-	-				
											-																		-	31				30
MX123 CONN ASSY 73 CKT GRY OPT0 KEY B/51	345663863	C-HSG-B0	G-CAP-0-P	TPA-B0	RS	LS	MAL	CPA	MSEAL	RSEAL	-	-	-	69	-	-	-	65	64	63	-	-	-	-	-	-	-	-	-	SALEABLE		345650003		
											-	-	-	49	-	-	-	45	44	43	-	-	-	-	-	-	-	-	-				-	
											-																		-				-	-
MX123 CONN ASSY 73 CKT GRY OPT0 KEY B/34	345663873	C-HSG-B0	G-CAP-0-P	TPA-B0	RS	LS	MAL	CPA	MSEAL	RSEAL	72	71	70	69	68	67	66	65	64	-	62	61	60	-	-	-	-	54	53	SALEABLE		345650003		
											52	51	-	-	-	47	-	-	44	-	42	41	40	-	-	-	-	-	-				33	
											-																		32				31	30
MX123 CONN ASSY 73 CKT GRY OPT0 KEY B/35	345663883	C-HSG-B0	G-CAP-0-P	TPA-B0	RS	LS	MAL	CPA	MSEAL	RSEAL	72	71	70	69	68	-	-	65	64	63	62	61	60	-	-	-	-	54	-	SALEABLE		345650003		
											52	51	-	-	-	47	46	-	44	43	42	41	40	-	-	-	-	-	-					
											-																		32				31	30
MX123 CONN ASSY 73 CKT BLU OPT0 KEY C/34	345663893	C-HSG-C0	G-CAP-0-P	TPA-C0	RS	LS	MAL	CPA	MSEAL	RSEAL	-	71	-	69	-	-	-	65	64	-	-	61	60	-	58	-	56	55	54	-	SALEABLE		345650003	
											-	-	50	49	-	-	-	45	-	43	-	41	40	39	38	37	36	35	-	-				
											-																		16	-				-
MX123 CONN ASSY 73 CKT GRY OPT0 KEY B/54	345663903	C-HSG-B0	G-CAP-0-P	TPA-B0	RS	LS	MAL	CPA	MSEAL	RSEAL	72	71	70	69	68	67	66	-	64	63	62	61	60	-	58	-	56	-	54	-	SALEABLE		345650003	
											52	51	50	-	-	47	-	45	-	43	42	41	40	-	38	-	36	-	34	-				
											-																		16	15				14
MX123 CONN ASSY 73 CKT BLK OPT0 KEY A/39	345663913	C-HSG-A0	G-CAP-0-P	TPA-A0	RS	LS	MAL	CPA	MSEAL	RSEAL	72	-	-	-	68	67	66	65	-	-	62	61	-	59	-	-	-	-	-	SALEABLE		345650003		
											-	-	50	-	48	47	46	-	-	-	-	40	39	38	-	-	35	-	33					
											-																		-				31	-

ASSEMBLY DESCRIPTION	ASSEMBLY PART NUMBER	CONNECTOR HOUSING	GROMMET CAP	TPA	RIGHT SLIDE	LEFT SLIDE	MATE ASSIST LEVER	CPA	MAT SEAL	RING SEAL	BLOCKED TERMINALS																		STATUS	COMMENTS	INTEGRAL COMPONENTS SOLD SEPARATELY	
											CAVITY WITH A NUMBER INDICATES BLOCKED TERMINAL POSITION																				DRESS COVER	
											CAVITY WITHOUT A NUMBER INDICATES OPEN TERMINAL POSITION																					
MX123 CONN ASSY 73 CKT GRY OPT0 KEY B/36	345663923	C-HSG-B0	G-CAP-0-P	TPA-B0	RS	LS	MAL	CPA	MSEAL	RSEAL	-	71	-	69	-	67	-	65	64	63	62	61	-	-	58	57	56	-	-	-		
											-	51	-	49	-	47	-	45	44	43	42	41	-	-	38	37	36	-	-	-		
											-																		22	21	20	-
MX123 CONN ASSY 73 CKT BLK OPT0 KEY A/35	345663933	C-HSG-A0	G-CAP-0-P	TPA-A0	RS	LS	MAL	CPA	MSEAL	RSEAL	72	-	-	-	68	67	66	65	-	-	62	61	-	59	-	-	-	-	-			
											-	-	50	-	48	47	46	-	-	-	-	-	40	39	38	-	-	35	-	33		
											-																		31	-	29	-
MX123 CONN ASSY 73 CKT BLU OPT0 KEY C/32	345663943	C-HSG-C0	G-CAP-0-P	TPA-C0	RS	LS	MAL	CPA	MSEAL	RSEAL	-	71	-	69	-	67	-	65	64	63	62	61	-	-	58	57	56	-	-	-		
											-	51	-	49	-	47	-	45	44	43	42	41	-	-	38	37	36	-	-	-		
											-																		23	22	21	20
MX123 CONN ASSY 73 CKT BLU OPT0 KEY C/35	345663953	C-HSG-C0	G-CAP-0-P	TPA-C0	RS	LS	MAL	CPA	MSEAL	RSEAL	-	71	-	69	-	67	66	65	64	-	-	61	60	-	58	-	56	55	54	-		
											-	-	50	49	-	-	-	45	-	43	-	41	-	-	38	37	36	35	-	-		
											-																		31	-	29	28
MX123 CONN ASSY 73 CKT BLU OPT0 KEY C/36	345663963	C-HSG-C0	G-CAP-0-P	TPA-C0	RS	LS	MAL	CPA	MSEAL	RSEAL	-	71	-	69	-	-	-	65	64	-	-	61	60	-	58	-	56	55	54	-		
											-	-	50	49	-	-	-	45	-	43	-	41	-	-	37	36	35	-	-	-		
											-																		31	-	29	28
MX123 CONN ASSY 73 CKT BLU OPT0 KEY C/33	345663973	C-HSG-C0	G-CAP-0-P	TPA-C0	RS	LS	MAL	CPA	MSEAL	RSEAL	-	71	-	69	-	-	66	65	64	-	-	61	60	-	58	-	56	55	54	-		
											-	-	50	49	-	-	-	45	-	43	-	41	-	-	37	36	35	-	-	-		
											-																		31	-	29	28
MX123 CONN ASSY 73 CKT BLU OPT0 KEY C/38	345663983	C-HSG-C0	G-CAP-0-P	TPA-C0	RS	LS	MAL	CPA	MSEAL	RSEAL	-	71	-	69	-	-	-	65	64	-	-	61	60	-	58	-	56	55	54	-		
											-	-	50	49	-	-	-	45	-	43	-	41	-	-	37	36	35	-	-	-		
											-																		31	-	29	28
MX123 CONN ASSY 73 CKT BLK OPT0 KEY A/38	345663983	C-HSG-A0	G-CAP-0-P	TPA-A0	RS	LS	MAL	CPA	MSEAL	RSEAL	-	-	-	-	68	67	66	65	-	-	62	61	-	-	-	-	-	-	-			
											-	-	50	-	48	47	46	-	-	-	-	-	39	38	-	-	35	-	33			
											-																		31	-	29	-
MX123 CONN ASSY 73 CKT BLK OPT0 KEY A/38	345663993	C-HSG-A0	G-CAP-0-P	TPA-A0	RS	LS	MAL	CPA	MSEAL	RSEAL	72	71	-	-	68	67	66	65	64	-	-	-	-	59	-	-	-	-	-			
											-	-	50	-	48	47	46	45	-	-	-	-	39	38	-	-	35	-	33			
											-																		31	30	-	-
MX123 CONN ASSY 73 CKT GRY OPT0 KEY B/44	345664003	C-HSG-B0	G-CAP-0-P	TPA-B0	RS	LS	MAL	CPA	MSEAL	RSEAL	72	71	70	69	68	-	-	65	-	-	62	61	60	-	58	-	56	-	54	-		
											52	51	-	-	-	47	46	45	44	-	42	41	40	-	38	-	36	-	34	-		
											-																		31	30	-	28
MX123 CONN ASSY 73 CKT GRY OPT0 KEY B/34	345664013	C-HSG-B0	G-CAP-0-P	TPA-B0	RS	LS	MAL	CPA	MSEAL	RSEAL	-	71	-	69	-	67	-	65	64	63	62	61	-	-	58	57	56	-	-	-		
											-	51	-	49	-	47	-	45	44	43	42	41	-	-	38	37	36	-	-	-		
											-																		23	22	21	20
MX123 CONN ASSY 73 CKT GRY OPT0 KEY B/49	345664023	C-HSG-B0	G-CAP-0-P	TPA-B0	RS	LS	MAL	CPA	MSEAL	RSEAL	-	-	-	69	-	-	-	65	64	63	-	-	-	-	-	-	-	-				
											-	-	-	49	-	-	-	45	44	43	-	-	-	-	-	-	-	-	-	-		
											-																		23	22	21	20
MX123 CONN ASSY 73 CKT BLU OPT0 KEY C/36	345664033	C-HSG-C0	G-CAP-0-P	TPA-C0	RS	LS	MAL	CPA	MSEAL	RSEAL	-	71	-	69	-	67	66	65	64	-	-	61	60	-	-	-	56	55	54	-		
											-	-	50	49	-	-	46	45	-	43	-	41	-	-	37	36	35	-	-	-		
											-																		31	-	29	28

ASSEMBLY DESCRIPTION	ASSEMBLY PART NUMBER	CONNECTOR HOUSING	GROMMET CAP	TPA	RIGHT SLIDE	LEFT SLIDE	MATE ASSIST LEVER	CPA	MAT SEAL	RING SEAL	BLOCKED TERMINALS																STATUS	COMMENTS	INTEGRAL COMPONENTS SOLD SEPARATELY													
											CAVITY WITH A NUMBER INDICATES BLOCKED TERMINAL POSITION																		DRESS COVER													
											CAVITY WITHOUT A NUMBER INDICATES OPEN TERMINAL POSITION																															
MX123 CONN ASSY 73 CKT BLK OPT0 KEY A/36	345664043	C-HSG-A0	G-CAP-0-P	TPA-A0	RS	LS	MAL	CPA	MSEAL	RSEAL	72	-	-	-	68	-	66	65	-	-	62	61	-	59	58	-	-	-	-	-	-											
											-	-	50	-	48	47	46	-	-	-	-	-	40	39	38	-	-	35	-	33												
																											-	31	-	29	-	27	-	25	24	-	22	21	20	-	-	17
																											-	-	14	13	-	11	-	9	8	7	6	5	4	-	2	1
MX123 CONN ASSY 73 CKT BLK OPT0 KEY A/43	345664053	C-HSG-A0	G-CAP-0-P	TPA-A0	RS	LS	MAL	CPA	MSEAL	RSEAL	-	71	70	-	68	-	-	-	64	-	62	61	-	59	58	-	-	55	54	-												
											52	51	50	-	48	-	-	45	-	-	-	41	-	39	38	-	-	-	34	-												
																											32	-	-	-	-	-	-	25	-	23	22	-	-	19	18	-
																											-	-	-	-	12	-	-	9	8	7	6	-	-	-	-	-
MX123 CONN ASSY 73 CKT GRY OPT0 KEY B/24	345664063	C-HSG-B0	G-CAP-0-P	TPA-B0	RS	LS	MAL	CPA	MSEAL	RSEAL	72	71	70	69	-	-	66	65	-	63	62	61	60	-	-	57	56	55	-	53												
											52	51	50	49	48	47	-	-	44	43	42	41	40	-	-	37	36	35	34	33												
																											-	31	-	-	-	-	26	25	24	-	-	21	20	19	18	-
																											16	-	14	-	12	11	-	9	-	7	6	5	4	3	2	-
MX123 CONN ASSY 73 CKT BLK OPT0 KEY A/36	345664073	C-HSG-A0	G-CAP-0-P	TPA-A0	RS	LS	MAL	CPA	MSEAL	RSEAL	-	71	-	69	68	67	-	65	64	-	-	61	60	-	58	-	-	-	54	-												
											-	-	50	49	48	47	-	45	-	43	-	41	-	-	38	-	-	35	-	-												
																											-	31	-	29	28	27	-	-	24	23	-	-	20	-	-	17
																											16	-	-	13	12	11	-	-	8	7	-	5	4	-	2	1
MX123 CONN ASSY 73 CKT BLU OPT0 KEY C/42	345664083	C-HSG-C0	G-CAP-0-P	TPA-C0	RS	LS	MAL	CPA	MSEAL	RSEAL	-	71	-	69	-	67	66	65	64	-	-	61	60	-	-	-	56	55	54	-												
											-	-	50	49	-	-	46	45	-	43	-	41	-	-	-	-	-	35	-	-												
																											-	31	-	29	28	-	-	-	23	-	-	-	19	18	-	
																											16	-	-	-	12	11	10	9	-	7	-	-	-	3	-	-
MX123 CONN ASSY 73 CKT BLK OPT0 KEY A/37	345664093	C-HSG-A0	G-CAP-0-P	TPA-A0	RS	LS	MAL	CPA	MSEAL	RSEAL	72	-	-	-	68	-	66	65	-	-	62	61	-	59	58	-	-	-	-	-												
											-	-	50	-	48	-	46	-	-	-	-	-	40	39	38	-	-	35	-	33												
																											-	31	-	29	-	27	-	25	24	-	22	21	20	-	-	17
																											-	-	14	13	-	11	-	9	8	7	6	5	4	-	2	1
MX123 CONN ASSY 73 CKT BLK OPT0 KEY A/29	345664103	C-HSG-A0	G-CAP-0-P	TPA-A0	RS	LS	MAL	CPA	MSEAL	RSEAL	-	-	70	-	-	-	-	65	-	-	-	61	-	-	58	57	56	55	54	53												
											-	51	50	-	-	47	-	-	-	-	-	41	-	-	38	37	36	-	34	-												
																											-	31	30	-	28	-	-	25	-	-	22	21	20	19	18	-
																											16	15	-	-	-	-	-	-	-	-	-	-	-	-	-	-
MX123 CONN ASSY 73 CKT GRY OPT0 KEY B/19	345664113	C-HSG-B0	G-CAP-0-P	TPA-B0	RS	LS	MAL	CPA	MSEAL	RSEAL	72	71	70	69	-	-	66	65	-	63	62	61	60	59	-	57	56	55	54	53												
											52	51	50	49	48	47	-	-	44	43	42	41	40	39	-	37	36	35	34	33												
																											-	31	-	-	-	-	26	25	24	23	-	21	20	19	18	-
																											16	-	14	-	12	11	-	9	8	7	6	5	4	3	2	-
MX123 CONN ASSY 73 CKT BLK OPT9 KEY A/42	345664123	C-HSG-A9	G-CAP-9-P	TPA-A9	RS	LS	MAL	CPA	MSEAL	RSEAL	-	71	70	-	68	-	-	-	64	-	62	61	-	59	58	-	-	55	54	-												
											52	51	50	-	48	-	-	45	-	-	-	41	-	39	38	-	-	-	34	-												
																											32	-	-	-	-	27	-	25	-	23	22	-	-	19	18	-
																											-	-	-	-	12	-	-	9	8	7	6	-	-	-	-	-
MX123 CONN ASSY 73 CKT GRY OPT9 KEY B/25	345664133	C-HSG-B9	G-CAP-9-P	TPA-B9	RS	LS	MAL	CPA	MSEAL	RSEAL	72	71	70	69	-	-	66	65	-	63	62	61	60	-	-	57	56	55	-	53												
											52	51	50	49	48	47	-	-	44	43	42	41	40	-	-	37	36	35	34	33												
																											-	31	-	-	-	-	26	25	24	-	-	21	20	19	18	-
																											16	-	14	-	12	11	-	-	-	7	6	5	4	3	2	-
MX123 CONN ASSY 73 CKT GRY OPT0 KEY B/22	345664143	C-HSG-B0	G-CAP-0-P	TPA-B0	RS	LS	MAL	CPA	MSEAL	RSEAL	72	71	70	69	-	-	66	65	-	63	62	61	60	-	-	57	56	55	-	53												
											52	51	50	49	48	47	-	-	44	43	42	41	40	-	-	37	36	35	34	33												
																											-	31	-	-	-	-	26	25	24	-	-	21	20	19	18	-
																											16	15	14	13	12	11	-	-	8	7	6	5	4	3	2	-
MX123 CONN ASSY 73 CKT GRY OPT0 KEY B/37	345664153	C-HSG-B0	G-CAP-0-P	TPA-B0	RS	LS	MAL	CPA	MSEAL	RSEAL	-	71	-	69	-	67	-	65	64	63	62	61	-	-	58	57	56	-	-	-												
											-	51	-	49	-	47	-	45	-	43	42	41	-	-	38	37	36	-	-	-												
																											-	-	-	-	-	-	-	-	-	-	22	21	20	-	-	17
																											-	15	14	13	12	11	-	-	-	-	6	5	4	3	2	1



ASSEMBLY DESCRIPTION	ASSEMBLY PART NUMBER	CONNECTOR HOUSING	GROMMET CAP	TPA	RIGHT SLIDE	LEFT SLIDE	MATE ASSIST LEVER	CPA	MAT SEAL	RING SEAL	BLOCKED TERMINALS																		STATUS	COMMENTS	INTEGRAL COMPONENTS SOLD SEPARATELY		
											CAVITY WITH A NUMBER INDICATES BLOCKED TERMINAL POSITION																				DRESS COVER		
											CAVITY WITHOUT A NUMBER INDICATES OPEN TERMINAL POSITION																						
MX123 CONN ASSY 73 CKT GRY OPT0 KEY B/35	345664163	C-HSG-B0	G-CAP-0-P	TPA-B0	RS	LS	MAL	CPA	MSEAL	RSEAL	-	71	-	69	-	67	-	65	64	63	62	61	-	-	58	57	56	-	-	-			
											-	51	-	49	-	47	-	45	44	43	42	41	-	-	38	37	36	-	-	-			
																													23	22	21	20	19
MX123 CONN ASSY 73 CKT BLK OPT0 KEY A/42	345664173	C-HSG-A0	G-CAP-0-P	TPA-A0	RS	LS	MAL	CPA	MSEAL	RSEAL	-	-	-	-	68	67	66	65	-	-	62	61	-	-	-	57	-	-	-				
											-	-	50	-	48	-	46	-	-	-	-	-	40	39	-	37	-	35	-	33			
																													-	31	-	29	-
MX123 CONN ASSY 73 CKT BLU OPT0 KEY C/41	345664183	C-HSG-C0	G-CAP-0-P	TPA-C0	RS	LS	MAL	CPA	MSEAL	RSEAL	-	71	-	69	-	67	-	65	64	-	-	61	60	-	-	-	56	55	54	-			
											-	-	50	49	-	-	-	45	-	43	-	41	-	-	38	37	36	35	-	-			
																													-	31	-	29	28
MX123 CONN ASSY 73 CKT BLU OPT0 KEY C/38	345664193	C-HSG-C0	G-CAP-0-P	TPA-C0	RS	LS	MAL	CPA	MSEAL	RSEAL	72	-	70	-	68	67	66	-	-	63	62	-	-	59	-	57	-	-	-	53			
											52	51	-	-	48	47	46	-	44	-	42	-	40	39	-	-	-	-	34	33			
																													32	-	30	-	-
MX123 CONN ASSY 73 CKT GRY OPT0 KEY B/48	345664203	C-HSG-B0	G-CAP-0-P	TPA-B0	RS	LS	MAL	CPA	MSEAL	RSEAL	72	71	70	69	68	67	66	65	-	63	62	61	60	-	58	-	56	-	54	-			
											52	51	-	-	-	47	-	45	44	43	42	41	40	-	38	-	36	-	34	-			
																													-	31	30	-	28
MX123 CONN ASSY 73 CKT BLK OPT0 KEY A/36	345664213	C-HSG-A0	G-CAP-0-P	TPA-A0	RS	LS	MAL	CPA	MSEAL	RSEAL	-	-	70	69	-	-	-	-	-	63	62	61	-	-	-	57	56	55	54	53			
											52	51	-	49	-	-	-	-	44	43	42	41	-	-	-	37	36	-	34	33			
																													32	-	-	29	28
MX123 CONN ASSY 73 CKT BLK OPT0 KEY A/38	345664223	C-HSG-A0	G-CAP-0-P	TPA-A0	RS	LS	MAL	CPA	MSEAL	RSEAL	-	-	70	69	-	-	-	-	-	63	62	61	-	-	58	57	56	55	54	53			
											52	51	-	49	-	-	-	-	44	43	42	41	-	-	-	37	36	-	34	-			
																													32	-	-	29	28
MX123 CONN ASSY 73 CKT GRY OPT0 KEY B/23	345664233	C-HSG-B0	G-CAP-0-P	TPA-B0	RS	LS	MAL	CPA	MSEAL	RSEAL	72	71	70	-	68	67	66	-	-	-	62	61	60	59	58	57	56	55	54	53			
											52	51	50	-	48	47	46	-	-	-	42	41	40	39	38	37	36	35	34	33			
																													32	31	30	29	28
MX123 CONN ASSY 73 CKT BLK OPT0 KEY A/21	345664243	C-HSG-A0	G-CAP-0-P	TPA-A0	RS	LS	MAL	CPA	MSEAL	RSEAL	72	71	70	69	68	67	66	65	64	63	62	-	60	59	-	-	-	55	54	53			
											52	-	-	49	48	-	-	45	44	43	42	41	40	39	-	-	-	35	34	33			
																													32	-	-	29	28
MX123 CONN ASSY 73 CKT BLK OPT0 KEY A/23	345664253	C-HSG-A0	G-CAP-0-P	TPA-A0	RS	LS	MAL	CPA	MSEAL	RSEAL	72	71	70	69	68	67	66	-	64	63	62	-	60	59	-	-	-	55	54	53			
											52	-	-	49	48	-	-	-	44	43	42	41	40	39	-	-	-	35	34	33			
																													32	-	-	29	28
MX123 CONN ASSY 73 CKT GRY OPT0 KEY B/36	345664263	C-HSG-B0	G-CAP-0-P	TPA-B0	RS	LS	MAL	CPA	MSEAL	RSEAL	-	-	-	-	-	67	66	-	-	63	-	-	-	59	58	57	56	55	-	53			
											-	-	50	49	48	-	-	45	-	43	-	-	-	39	38	37	36	35	34	33			
																													-	-	-	29	-
MX123 CONN ASSY 73 CKT GRY OPT0 KEY B/40	345664273	C-HSG-B0	G-CAP-0-P	TPA-B0	RS	LS	MAL	CPA	MSEAL	RSEAL	-	-	-	-	-	-	-	-	-	63	-	-	-	59	58	57	56	55	-	53			
											-	-	50	49	48	-	46	-	-	43	-	-	-	39	38	37	36	35	34	33			
																													-	-	-	29	-

ASSEMBLY DESCRIPTION	ASSEMBLY PART NUMBER	CONNECTOR HOUSING	GROMMET CAP	TPA	RIGHT SLIDE	LEFT SLIDE	MATE ASSIST LEVER	CPA	MAT SEAL	RING SEAL	BLOCKED TERMINALS																		STATUS	COMMENTS	INTEGRAL COMPONENTS SOLD SEPARATELY
											CAVITY WITH A NUMBER INDICATES BLOCKED TERMINAL POSITION CAVITY WITHOUT A NUMBER INDICATES OPEN TERMINAL POSITION																				DRESS COVER
MX123 CONN ASSY 73 CKT BLK OPT0 KEY A/38	345664283	C-HSG-A0	G-CAP-0-P	TPA-A0	RS	LS	MAL	CPA	MSEAL	RSEAL	72	71	-	-	68	67	66	65	64	-	-	-	-	59	58	-	-	-	-	-	-
											-	-	50	-	48	47	46	45	-	-	-	-	40	39	38	-	-	35	-	33	
																													-		
MX123 CONN ASSY 73 CKT GRY OPT0 KEY B/38	345664293	C-HSG-B0	G-CAP-0-P	TPA-B0	RS	LS	MAL	CPA	MSEAL	RSEAL	72	71	70	69	68	-	-	65	64	-	62	61	60	-	-	-	-	-	54	-	
											52	51	-	-	-	47	46	-	44	-	42	41	40	-	-	-	-	-	-	-	
																													-		
MX123 CONN ASSY 73 CKT BLK OPT0 KEY A/33	345664303	C-HSG-A0	G-CAP-0-P	TPA-A0	RS	LS	MAL	CPA	MSEAL	RSEAL	72	71	-	-	-	-	66	-	-	-	62	-	60	-	-	-	-	55	54	53	
											52	51	-	-	-	-	46	45	44	43	42	-	40	39	-	-	-	-	35	-	-
																													-		
MX123 CONN ASSY 73 CKT GRY OPT0 KEY B/35	345664313	C-HSG-B0	G-CAP-0-P	TPA-B0	RS	LS	MAL	CPA	MSEAL	RSEAL	72	71	70	69	68	67	66	65	64	-	62	61	60	-	-	-	-	54	-		
											52	51	-	-	-	47	-	45	44	-	42	41	40	-	-	-	-	-	-	-	
																													-		
MX123 CONN ASSY 73 CKT GRY OPT0 KEY B/37	345664323	C-HSG-B0	G-CAP-0-P	TPA-B0	RS	LS	MAL	CPA	MSEAL	RSEAL	-	71	-	69	-	67	-	65	64	63	62	61	-	-	58	57	56	-	-	-	
											-	51	-	49	-	47	-	45	44	43	42	41	-	-	38	37	36	-	-	-	
																													-		
MX123 CONN ASSY 73 CKT BLK OPT0 KEY A/40	345664333	C-HSG-A0	G-CAP-0-P	TPA-A0	RS	LS	MAL	CPA	MSEAL	RSEAL	-	-	-	-	68	-	66	65	-	-	62	61	-	-	58	57	-	-	-	-	
											-	-	50	-	48	-	46	-	-	-	-	-	40	39	-	37	-	35	-	33	
																													-		
MX123 CONN ASSY 73 CKT BLK OPT0 KEY A/39	345664343	C-HSG-A0	G-CAP-0-P	TPA-A0	RS	LS	MAL	CPA	MSEAL	RSEAL	-	-	-	-	68	67	66	65	-	-	62	61	-	-	-	57	-	-	-	-	
											-	-	50	-	48	-	46	-	-	-	-	-	40	39	-	37	-	35	-	33	
																													-		
MX123 CONN ASSY 73 CKT BLU OPT0 KEY C/37	345664353	C-HSG-C0	G-CAP-0-P	TPA-C0	RS	LS	MAL	CPA	MSEAL	RSEAL	-	71	-	69	-	67	66	65	64	-	-	61	60	-	-	-	56	55	54	-	
											-	-	50	49	-	-	46	45	-	43	-	41	-	-	38	37	36	35	-	-	
																													-		
MX123 CONN ASSY 73 CKT BLK OPT0 KEY A/39	345664363	C-HSG-A0	G-CAP-0-P	TPA-A0	RS	LS	MAL	CPA	MSEAL	RSEAL	72	71	-	-	68	67	66	65	64	-	-	-	-	59	-	-	-	-	-	-	
											-	-	50	-	48	47	46	45	-	-	-	-	40	39	38	-	-	35	-	33	
																													-		
MX123 CONN ASSY 73 CKT BLK OPT0 KEY A/30	345664373	C-HSG-A0	G-CAP-0-P	TPA-A0	RS	LS	MAL	CPA	MSEAL	RSEAL	72	71	-	-	68	67	66	65	64	-	62	61	60	59	-	57	-	55	-	53	
											-	-	50	-	48	-	46	45	-	-	-	-	-	39	38	37	-	35	-	33	
																													-		
MX123 CONN ASSY 73 CKT BLK OPT0 KEY A/29	345664403	C-HSG-A0	G-CAP-0-P	TPA-A0	RS	LS	MAL	CPA	MSEAL	RSEAL	-	-	-	-	-	-	-	-	-	-	62	-	60	-	-	-	-	55	54	53	
											52	51	-	-	-	-	46	45	44	43	42	-	40	39	-	-	-	-	35	-	-
																													-		
MX123 CONN ASSY 73 CKT GRY OPT0 KEY B/34	345664413	C-HSG-B0	G-CAP-0-P	TPA-B0	RS	LS	MAL	CPA	MSEAL	RSEAL	72	71	70	69	68	67	66	65	64	-	62	61	60	-	-	-	-	54	-		
											52	51	-	-	-	47	-	45	44	-	42	41	40	-	-	-	-	-	-	-	
																													-		



ASSEMBLY DESCRIPTION	ASSEMBLY PART NUMBER	CONNECTOR HOUSING	GROMMET CAP	TPA	RIGHT SLIDE	LEFT SLIDE	MATE ASSIST LEVER	CPA	MAT SEAL	RING SEAL	BLOCKED TERMINALS																		STATUS	COMMENTS	INTEGRAL COMPONENTS SOLD SEPARATELY				
											CAVITY WITH A NUMBER INDICATES BLOCKED TERMINAL POSITION																				DRESS COVER				
											CAVITY WITHOUT A NUMBER INDICATES OPEN TERMINAL POSITION																								
MX123 CONN ASSY 73 CKT BLU OPT9 KEY C/42	345664423	C-HSG-C9	G-CAP-9-P	TPA-C9	RS	LS	MAL	CPA	MSEAL	RSEAL	-	71	-	69	-	-	-	65	64	-	-	61	60	-	58	-	56	55	54	-	SALEABLE		345650003		
											-	-	50	49	-	-	-	45	-	43	-	41	-	-	-	-	-	35	-	-					
											-																		16	-				-	13
MX123 CONN ASSY 73 CKT BLK OPT9 KEY A/40	345664433	C-HSG-A9	G-CAP-9-P	TPA-A9	RS	LS	MAL	CPA	MSEAL	RSEAL	72	71	-	-	68	67	66	65	64	-	-	-	-	59	-	-	-	-	-	SALEABLE		345650003			
											-	-	-	-	48	47	46	45	-	-	-	-	-	39	38	-	-	35	-				33		
											-																		-				-	-	31
MX123 CONN ASSY 73 CKT BLK OPT9 KEY A/32	345664443	C-HSG-A9	G-CAP-9-P	TPA-A9	RS	LS	MAL	CPA	MSEAL	RSEAL	72	71	70	69	68	-	-	65	64	63	62	61	60	59	58	57	56	55	54	53	SALEABLE		345650003		
											52	51	50	49	-	-	46	45	44	43	42	-	40	39	38	37	36	35	34	33					
											-																		-	-				-	-
MX123 CONN ASSY 73 CKT BLK OPT0 KEY A/45	345664453	C-HSG-A0	G-CAP-0-P	TPA-A0	RS	LS	MAL	CPA	MSEAL	RSEAL	-	-	-	-	-	67	66	-	-	-	-	-	-	-	-	-	-	-	-	SALEABLE		345650003			
											-	-	-	-	-	47	-	-	-	-	-	41	-	-	-	-	-	-	-				-		
											-																		32				31	30	29
MX123 CONN ASSY 73 CKT GRY OPT9 KEY B/18	345664463	C-HSG-B9	G-CAP-9-P	TPA-B9	RS	LS	MAL	CPA	MSEAL	RSEAL	72	71	70	69	68	67	66	65	64	-	62	61	60	59	58	57	56	55	54	-	SALEABLE		345650003		
											52	51	50	49	-	-	46	-	44	-	-	41	40	-	38	37	36	-	-	-					
											-																		32	31				30	29
MX123 CONN ASSY 73 CKT GRY OPT0 KEY B/21	345664473	C-HSG-B0	G-CAP-0-P	TPA-B0	RS	LS	MAL	CPA	MSEAL	RSEAL	72	71	70	69	68	67	66	65	-	-	-	61	60	-	-	57	56	55	54	-	SALEABLE		345650003		
											52	51	50	49	48	-	46	-	44	-	-	41	40	-	38	37	36	-	-	-					
											-																		32	31				30	29
MX123 CONN ASSY 73 CKT BLU OPT9 KEY C/54	345664483	C-HSG-C9	G-CAP-9-P	TPA-C9	RS	LS	MAL	CPA	MSEAL	RSEAL	-	71	-	69	-	-	-	65	64	-	-	61	60	-	-	-	-	-	54	-	SALEABLE		345650003		
											-	-	50	-	-	-	-	45	-	43	42	41	-	-	-	-	-	-	35	-				-	
											-																		16	-				-	-
MX123 CONN ASSY 73 CKT BLK OPT9 KEY A/58	345664493	C-HSG-A9	G-CAP-9-P	TPA-A9	RS	LS	MAL	CPA	MSEAL	RSEAL	-	-	-	-	68	-	66	65	-	-	-	-	-	-	-	-	-	-	SALEABLE		345650003				
											-	-	-	-	-	-	46	-	-	-	-	-	-	38	-	-	35	-				33			
											-																					-	-	-	-
MX123 CONN ASSY 73 CKT GRY OPT9 KEY B/56	345664513	C-HSG-B9	G-CAP-9-P	TPA-B9	RS	LS	MAL	CPA	MSEAL	RSEAL	-	-	-	69	-	-	-	65	64	63	-	-	-	-	-	-	-	-	SALEABLE		345650003				
											-	-	-	49	-	-	-	45	44	43	-	-	-	-	-	-	-	-				-			
											-																					-	-	-	-
MX123 CONN ASSY 73 CKT BLK OPT0 KEY A/38	345664533	C-HSG-A0	G-CAP-0-P	TPA-A0	RS	LS	MAL	CPA	MSEAL	RSEAL	-	71	70	-	68	-	66	-	64	-	62	61	-	59	58	-	-	55	54	-	SALEABLE		345650003		
											52	51	50	-	48	-	46	45	-	-	42	41	-	39	38	-	-	-	34	-					
											-																		32	-				-	-
MX123 CONN ASSY 73 CKT GRY OPT0 KEY B/27	345664543	C-HSG-B0	G-CAP-0-P	TPA-B0	RS	LS	MAL	CPA	MSEAL	RSEAL	72	71	70	69	-	-	66	65	-	-	62	61	60	59	-	-	56	-	54	-	SALEABLE		345650003		
											52	51	50	49	48	47	-	-	44	-	42	41	40	39	-	-	36	-	34	33					
											-																		-	31				-	-
MX123 CONN ASSY 73 CKT GRY OPT0 KEY B/23	345664553	C-HSG-B0	G-CAP-0-P	TPA-B0	RS	LS	MAL	CPA	MSEAL	RSEAL	72	71	70	69	-	-	66	65	-	-	62	61	60	59	-	-	56	55	54	-	SALEABLE		345650003		
											52	51	50	49	48	47	-	-	44	-	42	41	40	39	-	-	36	35	34	33					
											-																		16	15				14	13

ASSEMBLY DESCRIPTION	ASSEMBLY PART NUMBER	CONNECTOR HOUSING	GROMMET CAP	TPA	RIGHT SLIDE	LEFT SLIDE	MATE ASSIST LEVER	CPA	MAT SEAL	RING SEAL	BLOCKED TERMINALS																		STATUS	COMMENTS	INTEGRAL COMPONENTS SOLD SEPARATELY
											CAVITY WITH A NUMBER INDICATES BLOCKED TERMINAL POSITION																				DRESS COVER
											CAVITY WITHOUT A NUMBER INDICATES OPEN TERMINAL POSITION																				
MX123 CONN ASSY 73 CKT GRY OPT0 KEY B/24	345664563	C-HSG-B0	G-CAP-0-P	TPA-B0	RS	LS	MAL	CPA	MSEAL	RSEAL	72	71	70	69	-	-	66	65	-	-	62	61	60	59	-	57	56	-	54	-	
											52	51	50	49	48	47	-	-	44	-	42	41	40	39	-	37	36	-	34	33	
											-																				
MX123 CONN ASSY 73 CKT GRY OPT0 KEY B/20	345664573	C-HSG-B0	G-CAP-0-P	TPA-B0	RS	LS	MAL	CPA	MSEAL	RSEAL	72	71	70	69	-	-	66	65	-	-	62	61	60	59	-	57	56	55	54	-	
											52	51	50	49	48	47	-	-	44	-	42	41	40	39	-	37	36	35	34	33	
											-																				
MX123 CONN ASSY 73 CKT GRY OPT0 KEY B/19	345664583	C-HSG-B0	G-CAP-0-P	TPA-B0	RS	LS	MAL	CPA	MSEAL	RSEAL	72	71	70	69	-	-	66	65	-	63	62	61	60	59	-	57	56	55	54	-	
											52	51	50	49	48	47	-	-	44	43	42	41	40	39	-	37	36	35	34	33	
											-																				
MX123 CONN ASSY 73 CKT GRY OPT0 KEY B/18	345664593	C-HSG-B0	G-CAP-0-P	TPA-B0	RS	LS	MAL	CPA	MSEAL	RSEAL	72	71	70	69	-	-	66	65	-	63	62	61	60	59	-	57	56	55	54	-	
											52	51	50	49	48	47	-	-	44	43	42	41	40	39	-	37	36	35	34	33	
											-																				
MX123 CONN ASSY 73 CKT BLK OPT0 KEY A/42	345664613	C-HSG-A0	G-CAP-0-P	TPA-A0	RS	LS	MAL	CPA	MSEAL	RSEAL	-	71	70	-	68	-	-	-	64	-	62	61	-	59	58	-	-	55	54	-	
											52	51	50	-	48	-	46	45	-	-	-	41	-	39	38	-	-	-	34	-	
											-																				
MX123 CONN ASSY 73 CKT GRY OPT0 KEY B/36	345664623	C-HSG-B0	G-CAP-0-P	TPA-B0	RS	LS	MAL	CPA	MSEAL	RSEAL	-	71	-	69	-	67	-	65	64	63	62	61	-	-	58	57	56	-	-	-	
											-	51	-	49	-	47	-	45	44	43	42	41	-	-	38	37	36	-	-	-	
											-																				
MX123 CONN ASSY 73 CKT BLK OPT0 KEY A/39	345664633	C-HSG-A0	G-CAP-0-P	TPA-A0	RS	LS	MAL	CPA	MSEAL	RSEAL	72	-	-	-	68	67	66	65	-	-	62	61	-	-	-	57	-	-	-	-	
											-	-	50	-	48	-	46	-	-	-	-	-	40	39	-	37	-	35	-	33	
											-																				
MX123 CONN ASSY 73 CKT GRY OPT0 KEY B/38	345664643	C-HSG-B0	G-CAP-0-P	TPA-B0	RS	LS	MAL	CPA	MSEAL	RSEAL	-	71	-	69	-	67	-	65	64	63	62	61	-	-	58	57	56	-	-	-	
											-	51	-	49	-	47	-	45	44	43	42	41	-	-	38	37	36	-	-	-	
											-																				
MX123 CONN ASSY 73 CKT BLK OPT0 KEY A/37	345664653	C-HSG-A0	G-CAP-0-P	TPA-A0	RS	LS	MAL	CPA	MSEAL	RSEAL	72	-	-	-	68	-	66	65	-	-	62	61	-	-	58	57	-	-	-	-	
											-	-	50	-	48	-	46	-	-	-	-	-	40	39	-	37	-	35	-	33	
											-																				
MX123 CONN ASSY 73 CKT BLK OPT0 KEY A/36	345664663	C-HSG-A0	G-CAP-0-P	TPA-A0	RS	LS	MAL	CPA	MSEAL	RSEAL	72	-	-	-	68	67	66	65	-	-	62	61	-	-	-	57	-	-	-	-	
											-	-	50	-	48	-	46	-	-	-	-	-	40	39	-	37	-	35	-	33	
											-																				
MX123 CONN ASSY 73 CKT BLK OPT0 KEY A/29	345664673	C-HSG-A0	G-CAP-0-P	TPA-A0	RS	LS	MAL	CPA	MSEAL	RSEAL	72	71	70	69	68	-	-	65	64	63	62	61	60	59	58	57	56	55	54	53	
											52	51	50	49	48	-	46	45	44	43	42	-	40	39	38	37	36	35	34	33	
											-																				
MX123 CONN ASSY 73 CKT GRY OPT9 KEY B/56	345664683	C-HSG-B9	G-CAP-9-P	TPA-B9	RS	LS	MAL	CPA	MSEAL	RSEAL	-	-	-	-	-	-	-	-	-	63	-	-	-	-	-	-	-	-	53		
											-	-	-	-	48	47	-	45	-	43	42	-	-	39	-	-	-	35	34	33	
											-																				



ASSEMBLY DESCRIPTION	ASSEMBLY PART NUMBER	CONNECTOR HOUSING	GROMMET CAP	TPA	RIGHT SLIDE	LEFT SLIDE	MATE ASSIST LEVER	CPA	MAT SEAL	RING SEAL	BLOCKED TERMINALS																				STATUS	COMMENTS	INTEGRAL COMPONENTS SOLD SEPARATELY				
											CAVITY WITH A NUMBER INDICATES BLOCKED TERMINAL POSITION																						DRESS COVER				
											CAVITY WITHOUT A NUMBER INDICATES OPEN TERMINAL POSITION																										
MX123 CONN ASSY 73 CKT GRY OPT9 KEY B/26	345664813	C-HSG-B9	G-CAP-9-P	TPA-B9	RS	LS	MAL	CPA	MSEAL	RSEAL	72	71	70	69	-	-	66	65	-	63	62	61	60	-	-	57	56	55	-	53							
											52	51	50	49	48	47	-	-	44	43	42	41	40	-	-	37	36	35	34	33							
																						-	31	-	-	-	26	25	24	-	-	21	20	19	18	-	
																						16	-	14	-	12	11	-	-	-	7	-	5	4	3	2	-
MX123 CONN ASSY 73 CKT BLU OPT0 KEY C/46	345664823	C-HSG-C0	G-CAP-0-P	TPA-C0	RS	LS	MAL	CPA	MSEAL	RSEAL	72	71	70	69	-	-	-	-	-	63	62	61	60	-	-	-	56	-	-	-							
											52	-	-	-	-	47	-	-	44	-	-	-	-	-	-	36	-	34	-								
																						-	-	-	29	28	27	-	25	-	-	21	-	19	18	17	
																						-	15	14	-	12	11	-	-	-	-	-	-	-	-	-	1
MX123 CONN ASSY 73 CKT BLU OPT0 KEY C/41	345664833	C-HSG-C0	G-CAP-0-P	TPA-C0	RS	LS	MAL	CPA	MSEAL	RSEAL	-	71	-	69	-	-	-	65	64	-	-	61	60	-	58	-	56	55	54	-							
											-	-	50	49	-	-	-	45	-	43	-	41	-	-	38	-	-	35	-	-							
																						-	31	-	29	28	-	-	-	23	-	-	20	19	18	17	
																						16	-	-	13	12	11	-	-	-	7	-	-	-	3	-	1
MX123 CONN ASSY 73 CKT BLU OPT0 KEY C/42	345664843	C-HSG-C0	G-CAP-0-P	TPA-C0	RS	LS	MAL	CPA	MSEAL	RSEAL	-	71	-	69	-	-	-	65	64	-	-	61	60	-	58	-	56	55	54	-							
											-	-	50	49	-	-	-	45	-	43	-	41	-	-	-	-	35	-	-								
																						-	31	-	29	28	-	-	-	23	-	-	20	19	18	17	
																						16	-	-	13	12	11	-	-	-	7	-	-	-	3	-	1
MX123 CONN ASSY 73 CKT BLU OPT0 KEY C/45	345664853	C-HSG-C0	G-CAP-0-P	TPA-C0	RS	LS	MAL	CPA	MSEAL	RSEAL	-	71	-	69	-	67	-	65	64	-	-	61	60	-	58	-	-	54	-								
											-	-	50	49	-	-	-	45	-	43	-	41	-	-	38	-	-	35	-	-							
																						-	31	-	29	28	-	-	-	23	-	-	20	-	-	17	
																						16	-	-	13	12	11	-	-	-	7	-	-	-	-	-	1
MX123 CONN ASSY 73 CKT BLU OPT0 KEY C/41	345664863	C-HSG-C0	G-CAP-0-P	TPA-C0	RS	LS	MAL	CPA	MSEAL	RSEAL	-	71	-	69	-	67	-	65	64	-	-	61	60	-	58	-	56	55	54	-							
											-	-	50	49	-	-	-	45	-	43	-	41	-	-	-	-	35	-	-								
																						-	31	-	29	28	-	-	-	23	-	-	20	19	18	17	
																						16	-	-	13	12	11	-	-	-	7	-	-	-	3	-	1
MX123 CONN ASSY 73 CKT BLU OPT0 KEY C/40	345664873	C-HSG-C0	G-CAP-0-P	TPA-C0	RS	LS	MAL	CPA	MSEAL	RSEAL	-	71	-	69	-	67	-	65	64	-	-	61	60	-	58	-	56	55	54	-							
											-	-	50	49	-	-	-	45	-	43	-	41	-	-	38	-	-	35	-	-							
																						-	31	-	29	28	-	-	-	23	-	-	20	19	18	17	
																						16	-	-	13	12	11	-	-	-	7	-	-	-	3	-	1
MX123 CONN ASSY 73 CKT BLK OPT9 KEY A/39	345664883	C-HSG-A9	G-CAP-9-P	TPA-A9	RS	LS	MAL	CPA	MSEAL	RSEAL	-	71	70	-	68	-	66	-	64	-	62	61	-	59	58	-	-	55	54	-							
											52	51	50	-	48	-	-	45	-	-	42	41	-	39	38	-	-	-	34	-							
																						32	-	-	-	-	27	26	25	-	23	22	-	-	19	18	-
																						-	-	-	-	12	-	-	9	8	7	6	-	-	-	-	-
MX123 CONN ASSY 73 CKT GRY OPT9 KEY B/24	345664893	C-HSG-B9	G-CAP-9-P	TPA-B9	RS	LS	MAL	CPA	MSEAL	RSEAL	72	71	70	69	-	-	66	65	-	-	62	61	60	59	-	-	56	-	54	53							
											52	51	50	49	48	47	-	-	44	-	42	41	40	39	-	37	36	-	34	33							
																						-	31	-	-	-	26	25	24	23	-	21	20	-	18	-	
																						16	-	14	-	12	11	-	9	8	7	6	5	4	3	2	-
MX123 CONN ASSY 73 CKT BLK OPT0 KEY A/21	345664903	C-HSG-A0	G-CAP-0-P	TPA-A0	RS	LS	MAL	CPA	MSEAL	RSEAL	-	-	-	-	-	67	-	-	-	-	-	60	-	-	-	-	54	53									
											-	-	-	-	48	-	46	45	-	-	42	-	40	39	-	-	-	-	-								
																						-	-	-	-	-	26	25	-	-	22	21	-	-	-	-	
																						-	-	-	-	-	-	-	8	7	6	5	4	3	-	-	
MX123 CONN ASSY 73 CKT GRY OPT9 KEY B/27	345664913	C-HSG-B9	G-CAP-9-P	TPA-B9	RS	LS	MAL	CPA	MSEAL	RSEAL	72	71	70	69	-	-	66	65	-	-	62	61	60	59	-	-	56	-	54	-							
											52	51	50	49	48	47	-	-	44	-	42	41	40	39	-	-	36	-	34	33							
																						-	31	-	-	-	26	25	24	23	-	-	20	-	18	-	
																						16	15	14	13	-	11	-	9	8	7	6	5	4	3	2	-
MX123 CONN ASSY 73 CKT BLK OPT9 KEY A/38	345664923	C-HSG-A9	G-CAP-9-P	TPA-A9	RS	LS	MAL	CPA	MSEAL	RSEAL	-	71	70	-	68	-	66	-	64	-	62	61	-	59	58	-	-	55	54	-							
											52	51	50	-	48	-	46	45	-	-	42	41	-	39	38	-	-	-	34	-							
																						32	-	-	-	-	27	26	25	-	23	22	-	-	19	18	-
																						-	-	-	-	12	-	-	9	8	7	6	-	-	-	-	-

ASSEMBLY DESCRIPTION	ASSEMBLY PART NUMBER	CONNECTOR HOUSING	GROMMET CAP	TPA	RIGHT SLIDE	LEFT SLIDE	MATE ASSIST LEVER	CPA	MAT SEAL	RING SEAL	BLOCKED TERMINALS																		STATUS	COMMENTS	INTEGRAL COMPONENTS SOLD SEPARATELY		
											CAVITY WITH A NUMBER INDICATES BLOCKED TERMINAL POSITION CAVITY WITHOUT A NUMBER INDICATES OPEN TERMINAL POSITION																				DRESS COVER		
MX123 CONN ASSY 73 CKT BLU OPT0 KEY C/41	345664933	C-HSG-C0	G-CAP-0-P	TPA-C0	RS	LS	MAL	CPA	MSEAL	RSEAL	-	71	-	69	-	-	-	65	64	-	-	61	60	-	58	-	56	55	54	-			
											-	-	50	49	-	-	-	45	-	43	42	41	-	-	38	-	-	-	-	-	-	-	-
																						-	31	-	29	28	-	-	-	-	23	-	-
											16	-	-	13	12	11	-	-	-	7	-	-	-	3	-	1							
MX123 CONN ASSY 73 CKT BLK OPT0 KEY A/49	345664943	C-HSG-A0	G-CAP-0-P	TPA-A0	RS	LS	MAL	CPA	MSEAL	RSEAL	72	71	-	-	-	-	66	65	64	-	-	-	-	-	-	-	-	-	-				
											-	-	-	-	48	47	46	45	-	-	-	-	40	-	-	-	-	35	-	33			
																						-	-	30	-	-	-	-	-	24	-	22	21
											-	-	-	-	-	-	-	-	-	-	7	6	5	4	-	2	1						
MX123 CONN ASSY 73 CKT GRY OPT0 KEY B/51	345664953	C-HSG-B0	G-CAP-0-P	TPA-B0	RS	LS	MAL	CPA	MSEAL	RSEAL	-	-	-	-	-	-	-	-	-	-	62	61	60	-	58	57	56	55	54	-			
											-	-	-	-	-	-	-	-	-	-	42	41	40	-	38	37	36	35	-	-			
																						-	-	-	-	-	-	-	-	-	-	22	21
											-	-	-	-	-	-	-	-	-	9	-	-	6	5	4	-	-	-					
MX123 CONN ASSY 73 CKT BLK OPT9 KEY A/43	345664963	C-HSG-A9	G-CAP-9-P	TPA-A9	RS	LS	MAL	CPA	MSEAL	RSEAL	-	71	70	-	68	-	-	-	64	-	62	61	-	59	58	-	-	55	54	-			
											52	51	50	-	48	-	-	45	-	-	-	41	-	39	38	-	-	-	34	-			
																						32	-	-	-	-	-	25	-	23	22	-	-
											-	-	-	-	12	-	-	9	8	7	6	-	-	-	-	-	-						
MX123 CONN ASSY 73 CKT GRY OPT9 KEY B/27	345664973	C-HSG-B9	G-CAP-9-P	TPA-B9	RS	LS	MAL	CPA	MSEAL	RSEAL	72	71	70	69	-	-	66	65	-	63	62	61	60	-	-	57	56	55	-	53			
											52	51	50	49	48	47	-	-	-	-	42	41	40	-	-	37	36	35	34	33			
																						-	31	-	-	-	-	26	25	24	-	-	21
											16	-	14	-	-	11	-	9	8	7	-	5	4	3	2	-							
MX123 CONN ASSY 73 CKT GRY OPT0 KEY B/39	345664983	C-HSG-B0	G-CAP-0-P	TPA-B0	RS	LS	MAL	CPA	MSEAL	RSEAL	-	71	-	69	-	67	-	65	64	63	62	61	-	-	58	57	56	-	-	-			
											-	51	-	49	-	47	-	45	-	43	42	41	-	-	38	37	36	-	-	-			
																						-	-	-	-	-	-	-	-	-	-	22	21
											-	15	14	13	12	11	-	9	-	-	6	5	4	3	-	-							
MX123 CONN ASSY 73 CKT BLK OPT0 KEY A/36	345664993	C-HSG-A0	G-CAP-0-P	TPA-A0	RS	LS	MAL	CPA	MSEAL	RSEAL	-	-	-	-	68	-	66	65	-	-	62	61	-	-	58	57	-	-	-	-			
											-	-	50	-	48	-	46	-	-	-	-	-	40	39	38	37	-	35	-	33			
																						-	31	-	29	-	27	-	25	24	23	22	21
											-	-	14	13	-	11	-	9	8	7	6	5	4	-	2	1							
MX123 CONN ASSY 73 CKT GRY OPT9 KEY B/31	345665013	C-HSG-B9	G-CAP-9-P	TPA-B9	RS	LS	MAL	CPA	MSEAL	RSEAL	72	71	70	69	-	-	66	65	-	-	62	61	60	-	-	57	56	-	-	53			
											52	51	50	49	48	47	-	-	-	-	42	41	40	-	-	37	36	-	34	33			
																						-	31	-	-	-	-	26	25	24	-	-	21
											16	-	14	-	-	11	-	9	8	7	-	5	4	3	2	-							
MX123 CONN ASSY 73 CKT BLU OPT0 KEY C/38	345665023	C-HSG-C0	G-CAP-0-P	TPA-C0	RS	LS	MAL	CPA	MSEAL	RSEAL	-	71	-	69	-	-	66	65	64	-	-	61	60	-	58	-	56	55	54	-			
											-	-	50	49	-	-	-	45	-	43	-	41	-	-	38	-	-	35	-	-			
																						-	31	-	29	28	27	-	-	-	23	-	-
											16	-	-	13	12	11	10	9	-	7	-	-	-	3	-	1							
MX123 CONN ASSY 73 CKT BLK OPT0 KEY A/40	345665033	C-HSG-A0	G-CAP-0-P	TPA-A0	RS	LS	MAL	CPA	MSEAL	RSEAL	72	71	-	-	68	67	66	65	64	-	-	-	-	59	-	-	-	-	-				
											-	-	50	-	48	47	46	45	-	-	-	-	40	39	38	-	-	-	-	-			
																						-	31	30	-	-	-	-	-	24	23	22	21
											-	-	14	-	-	-	-	9	8	7	6	5	4	-	2	1							
MX123 CONN ASSY 73 CKT BLK OPT0 KEY A/2	345665043	C-HSG-A0	G-CAP-0-P	TPA-A0	RS	LS	MAL	CPA	MSEAL	RSEAL	72	71	70	69	68	67	66	65	64	63	62	61	60	59	58	57	56	55	54	53			
											52	51	50	49	48	47	46	45	44	43	42	41	40	39	38	37	36	35	34	33			
																						32	-	30	29	28	27	26	25	24	23	22	21
											16	15	14	13	12	11	10	9	8	7	6	5	4	3	2	1							
MX123 CONN ASSY 73 CKT GRY OPT0 KEY B/6	345665053	C-HSG-B0	G-CAP-0-P	TPA-B0	RS	LS	MAL	CPA	MSEAL	RSEAL	72	71	70	69	68	67	66	65	64	63	62	61	60	59	58	57	56	55	54	53			
											52	51	50	49	48	-	46	45	44	43	42	41	40	39	38	37	36	35	34	33			
																						32	-	30	29	28	27	26	25	24	23	22	21
											16	15	14	13	12	11	10	9	8	7	6	5	4	3	2	-							





ASSEMBLY DESCRIPTION	ASSEMBLY PART NUMBER	CONNECTOR HOUSING	GROMMET CAP	TPA	RIGHT SLIDE	LEFT SLIDE	MATE ASSIST LEVER	CPA	MAT SEAL	RING SEAL	BLOCKED TERMINALS																		STATUS	COMMENTS	INTEGRAL COMPONENTS SOLD SEPARATELY
											CAVITY WITH A NUMBER INDICATES BLOCKED TERMINAL POSITION CAVITY WITHOUT A NUMBER INDICATES OPEN TERMINAL POSITION																				DRESS COVER
MX123 CONN ASSY 73 CKT BLK OPT0 KEY A/40	345665193	C-HSG-A0	G-CAP-0-P	TPA-A0	RS	LS	MAL	CPA	MSEAL	RSEAL	72	71	-	-	68	67	66	65	64	-	-	-	-	59	-	-	-	-	-		
											-	-	50	-	48	47	46	45	-	-	-	-	40	39	38	-	-	35	-	33	
																						-	31	30	-	-	-	-	25	24	23
											-	-	14	-	-	-	-	-	9	8	7	6	5	4	-	-	-				
MX123 CONN ASSY 73 CKT BLK OPT0 KEY A/15	345665203	C-HSG-A0	G-CAP-0-P	TPA-A0	RS	LS	MAL	CPA	MSEAL	RSEAL	-	-	70	-	-	-	-	65	-	-	-	61	60	-	-	-	-	55	-	-	
											-	-	-	-	-	-	45	-	-	-	41	40	-	-	-	-	-	-	-		
																						-	-	-	-	28	-	26	25	-	-
											16	-	-	-	-	-	-	10	-	-	-	-	-	-	-	-	-				
MX123 CONN ASSY 73 CKT BLK OPT0 KEY A/51	345665213	C-HSG-A0	G-CAP-0-P	TPA-A0	RS	LS	MAL	CPA	MSEAL	RSEAL	-	-	-	-	-	-	-	-	-	-	-	61	-	-	58	57	56	-	-	-	
											-	51	50	-	-	47	46	45	-	-	-	-	-	38	37	36	-	-	-		
																						-	31	30	-	28	-	26	-	-	-
											-	15	14	-	-	-	-	10	-	-	-	-	-	-	-	-	-				
MX123 CONN ASSY 73 CKT BLU OPT0 KEY C/34	345665223	C-HSG-C0	G-CAP-0-P	TPA-C0	RS	LS	MAL	CPA	MSEAL	RSEAL	-	71	-	69	68	-	-	65	64	-	-	61	60	-	58	-	56	55	54	-	
											-	-	50	49	-	47	-	45	-	43	-	41	-	-	38	37	36	35	-	-	
																						-	31	-	29	28	-	-	24	23	-
											16	-	-	13	12	11	-	-	8	7	-	-	-	3	2	1					
MX123 CONN ASSY 73 CKT BLU OPT0 KEY C/41	345665233	C-HSG-C0	G-CAP-0-P	TPA-C0	RS	LS	MAL	CPA	MSEAL	RSEAL	-	71	-	69	-	-	-	65	64	-	-	61	60	-	58	-	-	-	54	-	
											-	-	50	49	-	-	-	45	-	43	-	41	-	-	37	36	35	-	-		
																						-	31	-	29	28	27	-	-	24	23
											16	-	-	13	12	11	-	-	8	7	-	-	-	-	-	2	1				
MX123 CONN ASSY 73 CKT BLU OPT0 KEY C/60	345665243	C-HSG-C0	G-CAP-0-P	TPA-C0	RS	LS	MAL	CPA	MSEAL	RSEAL	-	-	-	-	-	-	-	64	-	-	-	60	-	-	-	-	-	-			
											52	-	-	-	-	47	-	-	-	-	-	-	-	-	37	-	-	-	-		
																						32	-	-	-	-	-	-	24	23	-
											-	-	-	13	12	11	10	-	8	-	-	-	-	-	-	-					
MX123 CONN ASSY 73 CKT GRY OPT0 KEY B/39	345665253	C-HSG-B0	G-CAP-0-P	TPA-B0	RS	LS	MAL	CPA	MSEAL	RSEAL	72	71	70	69	68	-	-	65	64	-	62	61	60	-	-	-	-	-	54	-	
											52	51	-	-	-	47	-	44	-	42	41	40	-	-	-	-	-	-	-		
																						32	31	30	-	28	-	26	25	24	-
											-	-	-	-	12	11	10	9	-	-	-	-	-	-	-	2	1				
MX123 CONN ASSY 73 CKT GRY OPT0 KEY B/50	345665263	C-HSG-B0	G-CAP-0-P	TPA-B0	RS	LS	MAL	CPA	MSEAL	RSEAL	-	-	-	69	-	-	-	65	64	63	-	-	-	-	-	-	-	-			
											-	-	-	49	-	-	-	45	44	43	-	-	-	-	-	-	-	-	-		
																						-	-	-	-	-	-	26	-	-	23
											-	-	-	-	12	11	-	9	-	7	6	5	4	3	-	-					
MX123 CONN ASSY 73 CKT BLK OPT0 KEY A/40	345665273	C-HSG-A0	G-CAP-0-P	TPA-A0	RS	LS	MAL	CPA	MSEAL	RSEAL	72	71	-	-	68	67	66	65	64	-	-	-	-	59	-	-	-	-	-		
											-	-	50	-	48	47	46	45	-	-	-	-	40	39	38	-	-	35	-	33	
																						-	31	30	-	-	-	-	25	24	-
											-	-	14	-	-	-	-	-	-	7	6	5	4	-	2	1					
MX123 CONN ASSY 73 CKT BLU OPT0 KEY C/41	345665283	C-HSG-C0	G-CAP-0-P	TPA-C0	RS	LS	MAL	CPA	MSEAL	RSEAL	-	71	-	69	-	-	-	65	64	-	-	61	60	-	58	-	-	-	-		
											-	-	50	49	-	-	-	45	-	43	-	41	-	-	38	37	36	35	-	-	
																						-	31	-	29	28	27	-	-	24	23
											16	-	-	13	12	11	-	-	8	7	-	-	-	-	-	2	1				
MX123 CONN ASSY 73 CKT BLK OPT0 KEY A/41	345665293	C-HSG-A0	G-CAP-0-P	TPA-A0	RS	LS	MAL	CPA	MSEAL	RSEAL	72	71	-	-	68	67	66	65	64	-	-	-	-	59	-	-	-	-	-		
											-	-	50	-	48	47	46	45	-	-	-	-	39	38	-	-	35	-	33		
																						-	31	30	-	-	-	-	25	24	23
											-	-	14	-	-	-	-	-	9	8	7	6	5	4	-	-	-				
MX123 CONN ASSY 73 CKT GRY OPT0 KEY B/49	345665303	C-HSG-B0	G-CAP-0-P	TPA-B0	RS	LS	MAL	CPA	MSEAL	RSEAL	72	71	70	69	68	67	66	-	-	63	62	61	60	-	58	-	56	-	54	-	
											52	51	-	-	-	47	-	45	44	43	42	41	40	-	38	-	36	-	34	-	
																						-	31	30	-	28	27	26	25	24	-
											16	-	14	13	12	11	10	9	8	-	-	-	-	-	-	2	1				

ASSEMBLY DESCRIPTION	ASSEMBLY PART NUMBER	CONNECTOR HOUSING	GROMMET CAP	TPA	RIGHT SLIDE	LEFT SLIDE	MATE ASSIST LEVER	CPA	MAT SEAL	RING SEAL	BLOCKED TERMINALS																		STATUS	COMMENTS	INTEGRAL COMPONENTS SOLD SEPARATELY		
											CAVITY WITH A NUMBER INDICATES BLOCKED TERMINAL POSITION																				DRESS COVER		
											CAVITY WITHOUT A NUMBER INDICATES OPEN TERMINAL POSITION																						
MX123 CONN ASSY 73 CKT BLU OPT0 KEY C/47	345665313	C-HSG-C0	G-CAP-0-P	TPA-C0	RS	LS	MAL	CPA	MSEAL	RSEAL	-	71	-	69	-	-	-	65	64	-	-	61	60	-	58	-	-	-	54	-			
											-	-	50	49	-	-	-	45	-	43	-	41	-	-	-	-	35	-	-				
											-																		16	-	-	13	12
MX123 CONN ASSY 73 CKT BLK OPT0 KEY A/35	345665333	C-HSG-A0	G-CAP-0-P	TPA-A0	RS	LS	MAL	CPA	MSEAL	RSEAL	-	-	-	69	-	-	-	-	-	-	-	61	-	-	58	57	-	55	54	-			
											52	-	50	-	-	-	-	-	-	-	42	-	-	39	38	37	36	35	34	33			
											-																		32	31	-	-	-
MX123 CONN ASSY 73 CKT GRY OPT0 KEY B/24	345665343	C-HSG-B0	G-CAP-0-P	TPA-B0	RS	LS	MAL	CPA	MSEAL	RSEAL	72	71	70	69	-	-	66	65	-	63	62	61	60	-	-	57	56	55	-	53			
											52	51	50	49	48	47	-	-	44	43	42	41	40	-	-	37	36	35	34	33			
											-																		16	15	14	13	-
MX123 CONN ASSY 73 CKT GRY OPT9 KEY B/32	345665353	C-HSG-B9	G-CAP-9-P	TPA-B9	RS	LS	MAL	CPA	MSEAL	RSEAL	72	71	70	69	-	-	66	65	-	63	62	61	60	-	-	57	56	-	-	53			
											52	51	50	49	48	47	-	-	-	-	42	41	40	-	-	37	36	-	-	33			
											-																		16	-	14	-	-
MX123 CONN ASSY 73 CKT BLU OPT0 KEY C/35	345665363	C-HSG-C0	G-CAP-0-P	TPA-C0	RS	LS	MAL	CPA	MSEAL	RSEAL	-	71	-	69	-	67	-	65	64	-	-	61	60	-	58	-	56	55	54	-			
											-	-	50	49	-	-	-	45	-	43	-	41	-	-	-	37	36	35	-	-			
											-																		16	-	-	13	12
MX123 CONN ASSY 73 CKT BLU OPT0 KEY C/32	345665373	C-HSG-C0	G-CAP-0-P	TPA-C0	RS	LS	MAL	CPA	MSEAL	RSEAL	-	71	-	69	-	67	-	65	64	-	-	61	60	-	58	-	56	55	54	-			
											-	-	50	49	-	-	-	45	-	43	-	41	-	-	38	37	36	35	-	-			
											-																		16	-	-	13	12
MX123 CONN ASSY 73 CKT BLU OPT0 KEY C/39	345665383	C-HSG-C0	G-CAP-0-P	TPA-C0	RS	LS	MAL	CPA	MSEAL	RSEAL	-	71	-	69	-	67	-	65	64	-	-	61	60	-	58	-	56	55	54	-			
											-	-	50	49	-	-	-	45	-	43	-	41	-	-	38	-	-	35	-	-			
											-																		16	-	-	13	12
MX123 CONN ASSY 73 CKT BLK OPT0 KEY A/30	345665393	C-HSG-A0	G-CAP-0-P	TPA-A0	RS	LS	MAL	CPA	MSEAL	RSEAL	72	71	-	-	68	67	66	65	64	-	62	61	60	59	58	57	-	-	-	-			
											-	-	50	-	48	47	46	45	-	-	-	-	40	39	38	37	-	35	-	33			
											-																		15	14	13	-	11
MX123 CONN ASSY 73 CKT GRY OPT0 KEY B/42	345665403	C-HSG-B0	G-CAP-0-P	TPA-B0	RS	LS	MAL	CPA	MSEAL	RSEAL	72	71	70	69	68	67	66	-	64	63	62	61	60	-	-	-	-	54	-				
											52	51	-	-	-	47	-	-	44	43	42	41	40	-	-	-	36	-	-	-			
											-																		32	31	30	-	28
MX123 CONN ASSY 73 CKT BLK OPT0 KEY A/31	345665413	C-HSG-A0	G-CAP-0-P	TPA-A0	RS	LS	MAL	CPA	MSEAL	RSEAL	72	71	-	-	68	67	66	65	64	-	62	61	60	59	58	57	-	-	-	-			
											-	-	50	-	48	47	46	45	-	-	-	-	40	39	38	37	-	35	-	33			
											-																		15	14	13	-	11
MX123 CONN ASSY 73 CKT BLK OPT0 KEY A/27	345665423	C-HSG-A0	G-CAP-0-P	TPA-A0	RS	LS	MAL	CPA	MSEAL	RSEAL	72	71	-	-	68	67	66	65	64	-	62	61	60	59	-	57	-	-	-	-			
											-	-	50	-	48	47	46	45	-	-	-	-	40	39	38	37	-	35	-	33			
											-																		15	14	13	-	11
MX123 CONN ASSY 73 CKT GRY OPT9 KEY B/22	345665433	C-HSG-B9	G-CAP-9-P	TPA-B9	RS	LS	MAL	CPA	MSEAL	RSEAL	72	71	70	69	-	-	66	65	-	63	62	61	60	-	-	57	56	55	-	53			
											52	51	50	49	48	47	-	-	44	43	42	41	40	-	-	37	36	35	34	33			
											-																		16	15	14	13	12



ASSEMBLY DESCRIPTION	ASSEMBLY PART NUMBER	CONNECTOR HOUSING	GROMMET CAP	TPA	RIGHT SLIDE	LEFT SLIDE	MATE ASSIST LEVER	CPA	MAT SEAL	RING SEAL	BLOCKED TERMINALS																				STATUS	COMMENTS	INTEGRAL COMPONENTS SOLD SEPARATELY
											CAVITY WITH A NUMBER INDICATES BLOCKED TERMINAL POSITION																						DRESS COVER
											CAVITY WITHOUT A NUMBER INDICATES OPEN TERMINAL POSITION																						
MX123 CONN ASSY 73 CKT GRY OPT9 KEY B/24	345665443	C-HSG-B9	G-CAP-9-P	TPA-B9	RS	LS	MAL	CPA	MSEAL	RSEAL	72	71	70	69	-	-	66	65	-	63	62	61	60	-	-	57	56	55	-	53			
											52	51	50	49	48	47	-	-	44	43	42	41	40	-	-	37	36	35	34	33			
															-	31	-	-	-	-	26	25	24	-	-	21	20	19	18	-			
															16	-	14	-	12	11	-	9	8	7	-	5	4	3	2	-			
MX123 CONN ASSY 73 CKT GRY OPT0 KEY B/24	345665453	C-HSG-B0	G-CAP-0-P	TPA-B0	RS	LS	MAL	CPA	MSEAL	RSEAL	72	71	70	69	-	-	66	65	-	63	62	61	60	-	-	57	56	55	-	53			
											52	51	50	49	48	47	-	-	44	43	42	41	40	-	-	37	36	35	34	33			
															-	31	-	-	-	-	26	25	24	-	-	21	20	19	18	-			
															16	-	14	-	12	11	-	9	8	7	-	5	4	3	2	-			
MX123 CONN ASSY 73 CKT BLK OPT0 KEY A/21	345665463	C-HSG-A0	G-CAP-0-P	TPA-A0	RS	LS	MAL	CPA	MSEAL	RSEAL	-	71	-	69	68	67	66	65	64	-	62	61	60	59	58	57	56	55	54	53			
											-	51	50	-	48	47	46	45	44	43	42	-	40	39	38	37	36	35	34	33			
															32	-	-	29	-	-	-	25	24	-	22	21	-	-	18	17			
															-	-	-	13	-	11	-	9	8	7	-	5	4	3	2	1			
MX123 CONN ASSY 73 CKT BLK OPT0 KEY A/45	345665473	C-HSG-A0	G-CAP-0-P	TPA-A0	RS	LS	MAL	CPA	MSEAL	RSEAL	-	-	-	69	-	-	-	-	-	-	-	61	-	-	58	57	-	55	54	-			
											-	-	50	49	-	-	-	-	-	-	-	-	-	39	38	37	36	35	34	33			
															32	-	-	-	-	-	-	-	-	22	21	-	-	18	-				
															-	-	-	13	-	-	-	9	8	7	-	5	4	3	2	1			
MX123 CONN ASSY 73 CKT GRY OPT0 KEY B/39	345665483	C-HSG-B0	G-CAP-0-P	TPA-B0	RS	LS	MAL	CPA	MSEAL	RSEAL	-	71	-	69	-	67	-	65	-	-	62	61	-	-	58	57	56	-	-	-			
											-	51	-	49	-	47	-	45	44	43	42	41	-	-	38	37	36	-	-	-			
															-	-	-	-	-	-	-	-	-	23	22	21	-	19	18	-			
															-	15	14	13	12	11	-	9	-	7	6	-	-	3	-	-			
MX123 CONN ASSY 73 CKT BLK OPT0 KEY A/37	345665493	C-HSG-A0	G-CAP-0-P	TPA-A0	RS	LS	MAL	CPA	MSEAL	RSEAL	-	71	-	-	68	67	66	65	64	-	62	61	-	-	-	-	-	-	-				
											-	-	50	-	48	47	46	45	-	-	-	-	39	38	-	-	35	-	33				
															-	31	30	29	-	27	-	25	24	23	22	21	20	-	-	-			
															-	-	14	13	-	11	-	9	8	7	6	5	4	-	-	-			
MX123 CONN ASSY 73 CKT BLK OPT0 KEY A/30	345665503	C-HSG-A0	G-CAP-0-P	TPA-A0	RS	LS	MAL	CPA	MSEAL	RSEAL	-	-	70	-	-	-	-	65	-	-	-	61	-	-	58	57	56	55	54	53			
											-	51	50	-	-	47	-	45	-	-	-	41	-	-	38	37	36	-	34	-			
															-	31	30	-	28	-	-	25	-	-	22	21	20	19	18	-			
															16	15	-	-	-	-	-	-	-	-	-	-	-	-	-	-			
MX123 CONN ASSY 73 CKT GRY OPT9 KEY B/22	345665513	C-HSG-B9	G-CAP-9-P	TPA-B9	RS	LS	MAL	CPA	MSEAL	RSEAL	72	71	70	69	-	-	66	65	-	63	62	61	60	59	-	57	56	-	54	53			
											52	51	50	49	48	47	-	-	44	43	42	41	40	39	-	37	36	-	34	33			
															-	31	-	-	-	-	26	25	24	23	-	21	20	-	18	-			
															16	15	14	13	12	11	-	9	8	7	6	5	4	3	2	-			
MX123 CONN ASSY 73 CKT BLK OPT9 KEY A/42	345665523	C-HSG-A9	G-CAP-9-P	TPA-A9	RS	LS	MAL	CPA	MSEAL	RSEAL	-	71	70	-	68	-	-	-	64	-	62	61	-	59	58	-	-	55	54	-			
											52	51	50	-	48	-	46	45	-	-	-	41	-	39	38	-	-	-	34	-			
															32	-	-	-	-	-	25	-	23	22	-	-	19	18	-				
															-	-	-	-	12	-	-	9	8	7	6	-	-	-	-				
MX123 CONN ASSY 73 CKT GRY OPT9 KEY B/24	345665533	C-HSG-B9	G-CAP-9-P	TPA-B9	RS	LS	MAL	CPA	MSEAL	RSEAL	72	71	70	69	-	-	66	65	-	63	62	61	60	-	-	57	56	55	-	53			
											52	51	50	49	48	47	-	-	44	43	42	41	40	-	-	37	36	35	34	33			
															-	31	-	-	-	-	26	25	24	-	-	21	20	19	18	-			
															16	15	14	13	12	11	-	9	-	7	-	5	4	3	2	-			
MX123 CONN ASSY 73 CKT BLK OPT9 KEY A/24	345665543	C-HSG-A9	G-CAP-9-P	TPA-A9	RS	LS	MAL	CPA	MSEAL	RSEAL	72	71	70	69	-	-	66	65	-	63	62	61	60	-	-	57	56	55	-	53			
											52	51	50	49	48	47	-	-	44	43	42	41	40	-	-	37	36	35	34	33			
															-	31	-	-	-	-	26	25	24	-	-	21	20	19	18	-			
															16	15	14	13	-	11	-	9	-	7	-	5	4	3	2	-			
MX123 CONN ASSY 73 CKT GRY OPT9 KEY B/24	345665553	C-HSG-B9	G-CAP-9-P	TPA-B9	RS	LS	MAL	CPA	MSEAL	RSEAL	72	71	70	69	-	-	66	65	-	63	62	61	60	-	-	57	56	55	-	53			
											52	51	50	49	48	47	-	-	44	43	42	41	40	-	-	37	36	35	34	33			
															-	31	-	-	-	-	26	25	24	-	-	21	20	19	18	-			
															16	15	14	13	-	11	-	9	-	7	-	5	4	3	2	-			

ASSEMBLY DESCRIPTION	ASSEMBLY PART NUMBER	CONNECTOR HOUSING	GROMMET CAP	TPA	RIGHT SLIDE	LEFT SLIDE	MATE ASSIST LEVER	CPA	MAT SEAL	RING SEAL	BLOCKED TERMINALS																		STATUS	COMMENTS	INTEGRAL COMPONENTS SOLD SEPARATELY																
											CAVITY WITH A NUMBER INDICATES BLOCKED TERMINAL POSITION																				DRESS COVER																
											CAVITY WITHOUT A NUMBER INDICATES OPEN TERMINAL POSITION																																				
MX123 CONN ASSY 73 CKT BLK OPT0 KEY A/43	345665563	C-HSG-A0	G-CAP-0-P	TPA-A0	RS	LS	MAL	CPA	MSEAL	RSEAL	-	-	-	-	68	67	66	65	-	-	62	61	-	-	-	-	-	-	-	-	-	-	-	-	-	-	-	-	-								
											-	-	50	-	-	-	46	-	-	-	-	-	40	39	38	-	-	35	-	-	-	-	-	-	-	-	-	-	-	-	-	-	-	-			
											-	-	-	-	-	31	-	29	-	27	-	25	24	23	22	21	20	-	-	-	-	-	-	-	-	-	-	-	-	-	-	-	-	-	-		
MX123 CONN ASSY 73 CKT BLU OPT0 KEY C/52	345665573	C-HSG-C0	G-CAP-0-P	TPA-C0	RS	LS	MAL	CPA	MSEAL	RSEAL	-	71	-	69	-	67	-	65	64	-	-	61	60	-	-	-	-	-	-	54	-	-	-	-	-	-	-	-									
											-	-	50	-	-	-	45	-	43	-	41	-	-	-	-	-	-	35	-	-	-	-	-	-	-	-	-	-	-	-	-	-	-	-			
											-	-	-	-	-	31	-	29	28	27	-	-	-	-	-	-	-	-	-	-	-	-	-	-	-	-	-	-	-	3	-	-	-	-			
MX123 CONN ASSY 73 CKT GRY OPT0 KEY B/41	345665583	C-HSG-B0	G-CAP-0-P	TPA-B0	RS	LS	MAL	CPA	MSEAL	RSEAL	-	71	-	69	-	67	-	65	-	-	62	61	-	-	58	57	56	-	-	-	-	-	-	-	-	-	-	-	-								
											-	51	-	49	-	47	-	45	44	43	42	41	-	-	38	37	36	-	-	-	-	-	-	-	19	18	-	-	-	-	-	-	-	-			
											-	-	-	-	-	-	-	-	-	-	-	-	-	-	22	21	-	19	18	-	-	-	-	-	-	-	-	-	-	-	-	-	-	-	-		
MX123 CONN ASSY 73 CKT BLU OPT0 KEY C/37	345665593	C-HSG-C0	G-CAP-0-P	TPA-C0	RS	LS	MAL	CPA	MSEAL	RSEAL	-	71	-	69	-	67	-	65	64	-	-	61	60	-	58	-	56	-	54	-	-	-	-	-	-	-	-	-	-								
											-	-	50	49	-	-	45	-	43	-	41	-	-	38	37	36	35	-	-	-	-	-	-	-	-	-	-	-	-	-	-	-	-	-	-		
											-	-	-	-	-	31	-	29	28	27	-	-	24	-	-	-	20	19	18	17	-	-	-	-	-	-	-	-	-	-	-	-	-	-	-	-	
MX123 CONN ASSY 73 CKT BLK OPT0 KEY A/33	345665603	C-HSG-A0	G-CAP-0-P	TPA-A0	RS	LS	MAL	CPA	MSEAL	RSEAL	-	-	70	-	-	-	65	-	-	-	61	60	-	58	57	-	55	54	-	-	-	-	-	-	-	-	-	-	-	-							
											52	51	-	49	-	47	-	45	-	43	-	41	40	-	38	37	-	-	34	-	-	-	-	-	-	-	-	-	-	-	-	-	-	-	-		
											-	-	-	-	-	31	-	29	28	27	-	-	24	-	-	-	20	19	18	17	-	-	-	-	-	-	-	-	-	-	-	-	-	-	-	-	-
MX123 CONN ASSY 73 CKT BLU OPT0 KEY C/43	345665613	C-HSG-C0	G-CAP-0-P	TPA-C0	RS	LS	MAL	CPA	MSEAL	RSEAL	-	71	-	69	-	67	66	65	64	-	-	61	60	-	-	56	55	54	-	-	-	-	-	-	-	-	-	-	-	-	-						
											-	-	50	49	-	-	46	45	-	43	-	41	-	-	38	-	-	35	-	-	-	-	-	-	19	18	-	-	-	-	-	-	-	-	-		
											-	-	-	-	-	31	-	29	28	-	-	-	-	-	-	-	-	-	19	18	-	-	-	-	-	-	-	-	-	-	-	-	-	-	-	-	-
MX123 CONN ASSY 73 CKT BLU OPT0 KEY C/40	345665623	C-HSG-C0	G-CAP-0-P	TPA-C0	RS	LS	MAL	CPA	MSEAL	RSEAL	-	71	-	69	-	67	66	65	64	-	-	61	60	-	58	-	56	55	54	-	-	-	-	-	-	-	-	-	-	-	-						
											-	-	50	49	-	-	46	45	-	43	-	41	-	-	38	-	-	35	-	-	-	-	-	-	19	18	17	-	-	-	-	-	-	-	-	-	
											-	-	-	-	-	31	-	29	28	-	-	-	-	-	-	-	-	-	19	18	17	-	-	-	-	-	-	-	-	-	-	-	-	-	-	-	-
MX123 CONN ASSY 73 CKT GRY OPT0 KEY B/19	345665633	C-HSG-B0	G-CAP-0-P	TPA-B0	RS	LS	MAL	CPA	MSEAL	RSEAL	-	71	70	69	68	67	66	65	64	63	-	-	60	59	58	57	56	55	54	53	-	-	-	-	-	-	-	-	-	-	-	-					
											-	51	50	49	-	47	-	45	-	43	-	42	-	39	38	37	36	35	34	33	-	-	-	-	-	-	-	-	-	-	-	-	-	-	-	-	-
											-	-	-	-	-	32	31	-	29	28	27	26	25	24	23	22	21	-	-	-	-	-	-	-	-	-	-	-	-	-	-	-	-	-	-	-	-
MX123 CONN ASSY 73 CKT GRY OPT0 KEY B/18	345665643	C-HSG-B0	G-CAP-0-P	TPA-B0	RS	LS	MAL	CPA	MSEAL	RSEAL	-	71	70	69	68	67	66	65	64	63	-	-	60	59	58	57	56	55	54	53	-	-	-	-	-	-	-	-	-	-	-	-					
											-	51	50	49	-	47	-	45	44	-	42	-	39	38	37	36	35	34	33	-	-	-	-	-	-	-	-	-	-	-	-	-	-	-	-	-	-
											-	-	-	-	-	32	31	-	29	28	27	26	25	24	23	22	21	-	-	-	-	-	-	-	-	-	-	-	-	-	-	-	-	-	-	-	-
MX123 CONN ASSY 73 CKT BLK OPT0 KEY A/52	345665653	C-HSG-A0	G-CAP-0-P	TPA-A0	RS	LS	MAL	CPA	MSEAL	RSEAL	-	-	-	-	-	67	-	-	-	-	62	-	-	59	58	-	-	55	-	-	-	-	-	-	-	-	-	-	-	-							
											-	-	-	-	-	47	-	-	-	-	42	41	-	-	-	-	35	-	-	-	-	-	-	20	19	18	-	-	-	-	-	-	-	-	-	-	
											-	-	-	-	-	-	-	-	-	-	27	-	-	24	-	-	-	20	19	18	-	-	-	-	-	-	-	-	-	-	-	-	-	-	-	-	-
MX123 CONN ASSY 73 CKT BLU OPT0 KEY C/37	345665663	C-HSG-C0	G-CAP-0-P	TPA-C0	RS	LS	MAL	CPA	MSEAL	RSEAL	72	71	70	-	68	-	-	65	-	63	-	61	-	59	58	-	56	-	-	53	-	-	-	-	-	-	-	-	-	-	-	-					
											-	-	-	49	-	47	-	-	-	43	-	41	40	39	38	-	36	-	-	-	-	-	-	-	-	-	-	-	-	-	-	-	-	-	-	-	
											-	-	-	-	-	-	30	29	-	-	-	-	25	24	23	22	21	20	-	-	-	-	-	-	-	-	-	-	-	-	-	-	-	-	-	-	-
MX123 CONN ASSY 73 CKT BLU OPT0 KEY C/35	345665673	C-HSG-C0	G-CAP-0-P	TPA-C0	RS	LS	MAL	CPA	MSEAL	RSEAL	72	71	70	-	68	-	-	65	-	63	62	-	-	59	58	-	56	55	-	53	-	-	-	-	-	-	-	-	-	-	-	-	-				
											-	-	-	-	-	47	-	-	-	43	42	-	40	39	38	-	36	35	-	-	-	-	-	-	-	-	-	-	-	-	-	-	-	-	-	-	-
											-	-	-	-	-	-	30	29	-	-	-	-	26	-	24	23	22	21	20	19	-	-	-	-	-	-	-	-	-	-	-	-	-	-	-	-	-

ASSEMBLY DESCRIPTION	ASSEMBLY PART NUMBER	CONNECTOR HOUSING	GROMMET CAP	TPA	RIGHT SLIDE	LEFT SLIDE	MATE ASSIST LEVER	CPA	MAT SEAL	RING SEAL	BLOCKED TERMINALS																				STATUS	COMMENTS	INTEGRAL COMPONENTS SOLD SEPARATELY				
											CAVITY WITH A NUMBER INDICATES BLOCKED TERMINAL POSITION																						DRESS COVER				
											CAVITY WITHOUT A NUMBER INDICATES OPEN TERMINAL POSITION																										
MX123 CONN ASSY 73 CKT GRY OPT0 KEY B/18	345665683	C-HSG-B0	G-CAP-0-P	TPA-B0	RS	LS	MAL	CPA	MSEAL	RSEAL	-	71	70	69	68	67	66	65	64	63	-	-	60	59	58	57	56	55	54	53	SALEABLE		345650003				
											-	51	50	49	-	47	-	45	-	-	42	-	-	39	38	37	36	35	34	33							
															32	31	-	29	28	27	26	25	24	23	22	21	-	-	-	17							
											-	15	-	13	12	11	10	9	8	7	6	5	-	3	2	1											
MX123 CONN ASSY 73 CKT BLK OPT0 KEY A/53	345665693	C-HSG-A0	G-CAP-0-P	TPA-A0	RS	LS	MAL	CPA	MSEAL	RSEAL	-	-	-	-	-	67	-	-	-	-	62	-	-	59	58	-	-	55	-	-	SALEABLE		345650003				
											-	-	-	-	-	47	-	-	-	-	42	41	-	-	-	-	-	35	-	-							
															-	-	-	-	-	27	-	-	24	-	-	-	-	19	18	17							
											16	-	-	-	-	11	10	-	8	-	-	-	-	3	-	1											
MX123 CONN ASSY 73 CKT GRY OPT0 KEY B/52	345665703	C-HSG-B0	G-CAP-0-P	TPA-B0	RS	LS	MAL	CPA	MSEAL	RSEAL	72	71	70	69	-	67	66	65	64	63	62	61	60	-	58	-	56	-	54	-	SALEABLE		345650003				
											52	51	50	-	-	47	-	45	44	43	42	41	40	-	38	-	36	-	34	-							
															32	31	30	-	28	27	26	25	24	-	22	-	20	19	-	-							
											16	15	14	13	-	-	-	9	8	-	6	5	4	3	2	1											
MX123 CONN ASSY 73 CKT BLU OPT0 KEY C/40	345665713	C-HSG-C0	G-CAP-0-P	TPA-C0	RS	LS	MAL	CPA	MSEAL	RSEAL	72	71	70	-	68	-	-	65	-	63	-	61	-	59	58	-	56	-	-	53	SALEABLE		345650003				
											-	-	-	49	-	47	-	-	-	43	-	41	40	39	38	-	36	-	-	-							
															-	-	30	29	-	-	-	25	24	23	22	21	20	-	-	-							
											-	-	-	-	-	-	-	-	-	-	6	5	4	3	2	1											
MX123 CONN ASSY 73 CKT BLU OPT0 KEY C/36	345665723	C-HSG-C0	G-CAP-0-P	TPA-C0	RS	LS	MAL	CPA	MSEAL	RSEAL	72	71	70	-	68	-	-	65	-	63	62	-	-	59	58	-	56	55	-	53	SALEABLE		345650003				
											-	-	-	-	-	47	-	-	-	43	42	-	40	39	38	-	36	35	-	-							
															32	-	30	29	-	-	26	-	24	23	22	21	20	19	-	17							
											-	-	-	-	-	-	-	-	-	-	6	5	4	3	2	1											
MX123 CONN ASSY 73 CKT BLK OPT0 KEY A/36	345665733	C-HSG-A0	G-CAP-0-P	TPA-A0	RS	LS	MAL	CPA	MSEAL	RSEAL	72	-	-	-	68	67	66	65	-	-	62	61	-	-	-	-	-	-	-	SALEABLE		345650003					
											-	-	50	-	48	47	46	-	-	-	-	-	40	39	38	-	-	35	-				33				
															-	31	-	29	-	27	-	25	24	23	22	21	20	-	-				17				
											-	-	14	13	-	11	-	9	8	7	6	5	4	-	2	1											
MX123 CONN ASSY 73 CKT BLK OPT0 KEY A/36	345665743	C-HSG-A0	G-CAP-0-P	TPA-A0	RS	LS	MAL	CPA	MSEAL	RSEAL	72	-	-	-	68	-	66	65	-	-	62	61	-	-	58	-	-	-	-	SALEABLE		345650003					
											-	-	50	-	48	47	46	-	-	-	-	-	40	39	38	-	-	35	-				33				
															-	31	-	29	-	27	-	25	24	23	22	21	20	-	-				17				
											-	-	14	13	-	11	-	9	8	7	6	5	4	-	2	1											
MX123 CONN ASSY 73 CKT BLK OPT0 KEY A/39	345665753	C-HSG-A0	G-CAP-0-P	TPA-A0	RS	LS	MAL	CPA	MSEAL	RSEAL	72	-	-	-	68	67	66	65	-	-	62	61	-	-	58	-	-	-	-	SALEABLE		345650003					
											-	-	50	-	48	47	46	-	-	-	-	-	40	39	38	-	-	35	-				33				
															-	31	-	29	-	27	-	25	24	-	22	-	20	-	-				17				
											-	-	14	13	-	11	-	9	-	7	6	-	4	-	2	1											
MX123 CONN ASSY 73 CKT BLU OPT0 KEY C/42	345665763	C-HSG-C0	G-CAP-0-P	TPA-C0	RS	LS	MAL	CPA	MSEAL	RSEAL	-	71	-	69	-	67	-	65	64	-	-	61	60	-	58	-	56	55	54	-	SALEABLE		345650003				
											-	-	50	49	-	-	-	45	-	43	-	41	-	-	38	-	-	35	-	-							
															-	31	-	29	28	-	-	-	-	23	-	-	-	19	18	17							
											16	-	-	-	12	11	-	-	-	7	-	-	-	3	-	1											
MX123 CONN ASSY 73 CKT BLU OPT0 KEY C/41	345665773	C-HSG-C0	G-CAP-0-P	TPA-C0	RS	LS	MAL	CPA	MSEAL	RSEAL	-	71	-	69	-	67	66	65	64	-	-	61	60	-	-	56	55	54	-	SALEABLE		345650003					
											-	-	50	49	-	-	46	45	-	43	-	41	-	-	38	-	-	35	-				-				
															-	31	-	29	28	-	-	-	-	23	-	-	-	19	18				-				
											16	-	-	-	12	11	10	9	-	7	-	-	-	3	-	-											
MX123 CONN ASSY 73 CKT BLU OPT0 KEY C/38	345665783	C-HSG-C0	G-CAP-0-P	TPA-C0	RS	LS	MAL	CPA	MSEAL	RSEAL	-	71	-	69	-	67	66	65	64	-	-	61	60	-	58	-	56	55	54	-	SALEABLE		345650003				
											-	-	50	49	-	-	46	45	-	43	-	41	-	-	38	-	-	35	-	-							
															-	31	-	29	28	-	-	-	-	23	-	-	-	19	18	17							
											16	-	-	-	12	11	10	9	-	7	-	-	-	3	-	1											
MX123 CONN ASSY 73 CKT BLK OPT0 KEY B/34	345665793	C-HSG-B0	G-CAP-0-P	TPA-B0	RS	LS	MAL	CPA	MSEAL	RSEAL	-	71	-	69	-	67	-	65	64	63	62	61	-	-	58	57	56	-	-	-	SALEABLE		345650003				
											-	51	-	49	-	47	-	45	44	43	42	41	-	-	38	37	36	-	-	-							
															-	-	-	-	-	-	-	-	-	23	22	21	20	19	18	-							
											-	15	14	13	12	11	-	9	-	7	6	5	4	3	-	-											

ASSEMBLY DESCRIPTION	ASSEMBLY PART NUMBER	CONNECTOR HOUSING	GROMMET CAP	TPA	RIGHT SLIDE	LEFT SLIDE	MATE ASSIST LEVER	CPA	MAT SEAL	RING SEAL	BLOCKED TERMINALS																		STATUS	COMMENTS	INTEGRAL COMPONENTS SOLD SEPARATELY			
											CAVITY WITH A NUMBER INDICATES BLOCKED TERMINAL POSITION																				DRESS COVER			
											CAVITY WITHOUT A NUMBER INDICATES OPEN TERMINAL POSITION																							
MX123 CONN ASSY 73 CKT GRY OPT0 KEY B/55	345665803	C-HSG-B0	G-CAP-0-P	TPA-B0	RS	LS	MAL	CPA	MSEAL	RSEAL	72	71	70	69	68	67	66	65	64	63	62	61	60	59	58	57	56	55	54	53	SALEABLE		345650003	
											52	51	50	-	-	-	46	45	44	43	42	41	40	-	38	-	36	-	34	-				
															32	31	30	-	28	27	26	25	24	-	22	-	20	19	18	-				
				16	15	14	13	-	11	10	9	8	-	6	5	4	3	2	1															
MX123 CONN ASSY 73 CKT GRY OPT0 KEY B/38	345665813	C-HSG-B0	G-CAP-0-P	TPA-B0	RS	LS	MAL	CPA	MSEAL	RSEAL	-	71	-	69	-	67	-	65	64	63	62	61	-	-	58	57	56	-	-	-	SALEABLE		345650003	
											-	51	-	49	-	47	-	45	44	43	42	41	-	-	38	37	36	-	-	-				
															-	-	-	-	-	-	-	-	-	22	21	20	-	-	-					
				-	15	14	13	12	11	-	9	-	-	6	5	4	3	-	-															
MX123 CONN ASSY 73 CKT BLK OPT0 KEY A/21	345665823	C-HSG-A0	G-CAP-0-P	TPA-A0	RS	LS	MAL	CPA	MSEAL	RSEAL	-	71	-	69	68	67	66	65	64	-	62	61	60	59	58	57	56	55	54	53	SALEABLE		345650003	
											-	51	50	-	48	47	46	45	44	-	42	-	40	39	38	37	36	35	34	33				
															32	-	-	29	-	-	-	25	24	-	22	21	-	-	18	17				
				-	-	-	13	12	11	-	9	8	7	-	5	4	3	2	1															
MX123 CONN ASSY 73 CKT BLK OPT0 KEY A/22	345665833	C-HSG-A0	G-CAP-0-P	TPA-A0	RS	LS	MAL	CPA	MSEAL	RSEAL	-	71	-	69	68	67	66	65	64	-	62	61	60	59	58	57	56	55	54	53	SALEABLE		345650003	
											-	51	50	-	48	47	46	45	44	-	42	-	40	39	38	37	36	35	34	33				
															32	-	-	29	-	-	-	25	24	-	22	21	-	-	18	17				
				-	-	-	13	12	11	-	9	8	7	-	5	4	3	2	1															
MX123 CONN ASSY 73 CKT BLU OPT0 KEY C/36	345665863	C-HSG-C0	G-CAP-0-P	TPA-C0	RS	LS	MAL	CPA	MSEAL	RSEAL	-	71	-	69	68	67	-	65	64	-	-	61	60	-	58	-	-	-	54	-	SALEABLE		345650003	
											-	-	50	49	48	47	-	45	-	43	-	41	-	-	38	-	-	35	-	-				
															-	31	-	29	28	27	-	-	24	23	-	-	20	-	-	17				
				16	-	-	13	12	11	-	-	8	7	-	5	4	-	2	1															
MX123 CONN ASSY 73 CKT GRY OPT0 KEY B/20	345665873	C-HSG-B0	G-CAP-0-P	TPA-B0	RS	LS	MAL	CPA	MSEAL	RSEAL	-	71	70	69	68	67	66	65	64	63	-	-	60	59	58	57	56	55	54	53	SALEABLE		345650003	
											-	51	50	49	-	-	-	45	-	-	42	-	-	39	38	37	36	35	34	33				
															32	31	-	29	28	27	26	25	24	23	22	21	-	-	-	17				
				-	-	-	13	12	11	10	9	8	7	6	5	-	3	2	1															
MX123 CONN ASSY 73 CKT GRY OPT0 KEY B/19	345665883	C-HSG-B0	G-CAP-0-P	TPA-B0	RS	LS	MAL	CPA	MSEAL	RSEAL	-	71	70	69	68	67	66	65	64	63	-	-	60	59	58	57	56	55	54	53	SALEABLE		345650003	
											-	51	50	49	-	-	-	45	44	-	42	-	-	39	38	37	36	35	34	33				
															32	31	-	29	28	27	26	25	24	23	22	21	-	-	-	17				
				-	-	-	13	12	11	10	9	8	7	6	5	-	3	2	1															
MX123 CONN ASSY 73 CKT BLU OPT0 KEY C/35	345665893	C-HSG-C0	G-CAP-0-P	TPA-C0	RS	LS	MAL	CPA	MSEAL	RSEAL	72	71	70	-	68	-	-	65	64	63	-	61	-	59	58	-	56	-	-	-	53	SALEABLE		345650003
											-	-	-	49	-	47	-	-	-	43	-	41	40	39	38	-	36	-	-	-				
															-	31	30	29	-	-	-	25	24	23	22	21	20	-	-	17				
				-	-	-	-	-	-	-	-	8	7	6	5	4	3	2	1															
MX123 CONN ASSY 73 CKT BLK OPT0 KEY A/40	345665903	C-HSG-A0	G-CAP-0-P	TPA-A0	RS	LS	MAL	CPA	MSEAL	RSEAL	-	-	70	-	-	-	-	65	-	-	-	61	60	-	58	57	56	55	54	-	SALEABLE		345650003	
											52	51	50	49	-	47	46	45	-	-	-	41	40	-	38	37	36	-	34	-				
															-	31	30	-	28	-	26	25	24	-	22	21	20	19	18	-				
				16	15	14	-	-	-	10	-	-	7	6	-	-	-	-	-															
MX123 CONN ASSY 73 CKT BLU OPT0 KEY C/34	345665913	C-HSG-C0	G-CAP-0-P	TPA-C0	RS	LS	MAL	CPA	MSEAL	RSEAL	72	71	70	-	68	-	-	65	-	63	62	-	-	59	58	-	56	55	-	53	SALEABLE		345650003	
											-	-	-	-	-	47	-	-	-	43	42	-	40	39	38	-	36	35	-	-				
															-	31	30	29	-	-	26	-	24	23	22	21	20	19	-	17				
				-	-	-	-	-	-	-	-	8	7	6	5	4	3	2	1															
MX123 CONN ASSY 73 CKT BLU OPT0 KEY C/38	345665933	C-HSG-C0	G-CAP-0-P	TPA-C0	RS	LS	MAL	CPA	MSEAL	RSEAL	-	71	-	69	-	67	-	65	64	-	-	61	60	-	58	-	-	-	54	-	SALEABLE		345650003	
											-	-	50	49	-	-	-	45	-	43	-	41	-	-	38	37	36	35	-	-				
															-	31	-	29	28	27	-	-	24	-	-	20	19	18	17					
				16	-	-	13	12	11	-	-	8	-	-	-	-	3	2	1															
MX123 CONN ASSY 73 CKT BLU OPT0 KEY C/41	345665943	C-HSG-C0	G-CAP-0-P	TPA-C0	RS	LS	MAL	CPA	MSEAL	RSEAL	-	71	-	69	-	-	-	65	64	-	-	61	60	-	58	-	-	-	54	-	SALEABLE		345650003	
											-	-	50	-	-	-	-	45	-	43	-	41	-	-	38	37	36	35	-	-				
															-	31	-	29	28	-	-	24	23	-	-	19	18	17						
				16	-	-	-	12	11	-	-	8	7	-	-	-	3	2	1															

ASSEMBLY DESCRIPTION	ASSEMBLY PART NUMBER	CONNECTOR HOUSING	GROMMET CAP	TPA	RIGHT SLIDE	LEFT SLIDE	MATE ASSIST LEVER	CPA	MAT SEAL	RING SEAL	BLOCKED TERMINALS																		STATUS	COMMENTS	INTEGRAL COMPONENTS SOLD SEPARATELY						
											CAVITY WITH A NUMBER INDICATES BLOCKED TERMINAL POSITION																				DRESS COVER						
											CAVITY WITHOUT A NUMBER INDICATES OPEN TERMINAL POSITION																										
MX123 CONN ASSY 73 CKT BLK OPT0 KEY A/45	345665953	C-HSG-A0	G-CAP-0-P	TPA-A0	RS	LS	MAL	CPA	MSEAL	RSEAL	72	-	-	-	68	67	66	-	-	-	-	-	-	59	-	-	-	-	-	-	-	-					
											-	-	50	-	-	-	46	-	-	-	-	-	40	39	38	-	-	35	-	33							
																						-	31	-	-	-	-	25	-	23	22	21	20	-	-	17	
																						-	-	14	-	-	-	-	9	8	7	6	5	4	-	2	1
MX123 CONN ASSY 73 CKT GRY OPT0 KEY B/51	345665963	C-HSG-B0	G-CAP-0-P	TPA-B0	RS	LS	MAL	CPA	MSEAL	RSEAL	-	-	-	69	-	-	-	65	64	63	-	-	-	-	-	-	-	-	-	-	-						
											-	-	-	49	-	-	-	45	44	43	-	-	-	-	-	-	-	-	-	-	-	-	-	-	-	-	
																						-	-	-	-	-	-	-	-	23	22	21	20	19	-	17	
																						-	-	-	-	12	11	-	-	-	7	6	5	4	-	2	1
MX123 CONN ASSY 73 CKT BLU OPT0 KEY C/41	345665973	C-HSG-C0	G-CAP-0-P	TPA-C0	RS	LS	MAL	CPA	MSEAL	RSEAL	-	71	-	69	-	-	-	65	64	-	-	61	60	-	58	-	-	-	54	-							
											-	-	50	49	-	-	-	45	-	43	-	41	-	-	38	37	36	35	-	-							
																						-	31	-	29	28	-	-	-	24	23	-	-	20	-	-	17
																						16	-	-	13	12	11	-	-	-	8	7	-	-	-	-	2
MX123 CONN ASSY 73 CKT BLU OPT0 KEY C/36	345665983	C-HSG-C0	G-CAP-0-P	TPA-C0	RS	LS	MAL	CPA	MSEAL	RSEAL	72	71	70	-	68	-	-	65	-	63	-	61	-	59	58	-	56	-	-	-	53						
											-	-	-	49	-	47	-	-	-	43	-	41	40	39	38	-	36	-	-	-	-	-	-	-			
																						-	31	30	29	-	-	-	25	24	23	22	21	20	-	-	17
																						-	-	-	-	-	-	-	-	8	7	6	5	4	3	2	1
MX123 CONN ASSY 73 CKT BLK OPT0 KEY A/61	345665993	C-HSG-A0	G-CAP-0-P	TPA-A0	RS	LS	MAL	CPA	MSEAL	RSEAL	72	-	-	-	68	-	-	-	64	-	-	-	-	59	-	-	-	-	-	-	-						
											-	-	-	-	48	-	46	-	-	-	-	-	-	-	38	-	-	-	-	-	-	-	33				
																						-	-	-	-	-	-	-	-	-	-	22	-	-	-	-	-
																						-	-	-	-	-	-	-	-	7	-	-	4	-	2	-	
MX123 CONN ASSY 73 CKT GRY OPT0 KEY B/55	345666003	C-HSG-B0	G-CAP-0-P	TPA-B0	RS	LS	MAL	CPA	MSEAL	RSEAL	72	71	70	69	68	-	-	-	64	63	62	61	60	-	58	-	56	-	54	-							
											52	51	50	-	-	-	46	45	44	43	42	41	40	-	38	-	36	-	34	-							
																						32	31	30	-	28	27	26	25	24	-	22	-	20	19	18	17
																						16	15	14	13	12	11	10	9	8	-	6	5	4	3	2	1
MX123 CONN ASSY 73 CKT GRY OPT0 KEY B/46	345666013	C-HSG-B0	G-CAP-0-P	TPA-B0	RS	LS	MAL	CPA	MSEAL	RSEAL	72	71	70	-	68	-	66	-	64	63	62	-	-	-	-	-	56	55	-	-	-						
											52	-	-	-	-	-	-	44	-	42	41	-	-	38	-	36	35	-	-	-	-	-	-				
																						-	-	-	-	28	27	-	25	-	-	-	-	-	19	-	17
																						-	-	-	-	12	11	-	-	-	-	-	-	-	3	2	1
MX123 CONN ASSY 73 CKT BLK OPT0 KEY A/56	345666023	C-HSG-A0	G-CAP-0-P	TPA-A0	RS	LS	MAL	CPA	MSEAL	RSEAL	-	-	-	-	-	-	66	65	64	63	62	61	-	-	-	-	-	55	-	-							
											-	-	-	-	-	-	46	-	-	-	42	41	-	-	-	-	-	-	-	-	-	-	-				
																						-	-	-	-	-	27	26	25	-	-	-	-	-	-	18	-
																						-	-	14	-	-	-	-	9	8	-	-	-	-	-	-	-
MX123 CONN ASSY 73 CKT BLK OPT0 KEY A/39	345666033	C-HSG-A0	G-CAP-0-P	TPA-A0	RS	LS	MAL	CPA	MSEAL	RSEAL	72	71	-	-	68	67	66	65	64	-	-	-	60	59	-	-	-	-	-	-	-						
											-	-	50	-	48	47	46	45	-	-	-	-	40	39	38	-	-	35	-	33							
																						-	31	30	-	-	-	-	25	24	23	22	-	20	-	-	17
																						-	-	14	-	-	-	-	9	-	7	6	-	4	-	2	1
MX123 CONN ASSY 73 CKT GRY OPT0 KEY B/23	345666043	C-HSG-B0	G-CAP-0-P	TPA-B0	RS	LS	MAL	CPA	MSEAL	RSEAL	72	71	70	69	-	-	-	-	63	62	61	60	59	-	57	56	-	54	53								
											52	51	50	49	48	47	-	-	44	43	42	41	40	39	-	37	36	-	34	33							
																						-	31	-	-	-	-	26	25	24	23	-	21	20	-	18	-
																						-	15	14	13	12	11	-	9	8	7	6	5	4	3	2	-
MX123 CONN ASSY 73 CKT GRY OPT0 KEY B/20	345666053	C-HSG-B0	G-CAP-0-P	TPA-B0	RS	LS	MAL	CPA	MSEAL	RSEAL	-	71	70	69	68	67	66	65	64	63	-	-	60	59	58	57	56	55	54	53							
											-	51	50	49	-	-	-	45	44	-	42	-	-	39	38	37	36	35	34	33							
																						32	31	-	29	28	27	26	25	24	23	22	21	-	-	-	17
																						-	-	-	13	12	11	10	9	8	7	6	5	-	3	-	1
MX123 CONN ASSY 73 CKT BLU OPT0 KEY C/37	345666063	C-HSG-C0	G-CAP-0-P	TPA-C0	RS	LS	MAL	CPA	MSEAL	RSEAL	72	71	70	-	68	-	-	65	-	63	-	61	-	59	58	-	56	-	-	53							
											-	-	-	49	-	47	-	-	-	43	-	41	40	39	38	-	36	-	-	-	-	-	-				
																						-	31	30	29	-	-	-	25	24	23	22	21	20	-	-	-
																						-	-	-	-	-	-	-	-	8	7	6	5	4	3	2	1

ASSEMBLY DESCRIPTION	ASSEMBLY PART NUMBER	CONNECTOR HOUSING	GROMMET CAP	TPA	RIGHT SLIDE	LEFT SLIDE	MATE ASSIST LEVER	CPA	MAT SEAL	RING SEAL	BLOCKED TERMINALS																				STATUS	COMMENTS	INTEGRAL COMPONENTS SOLD SEPARATELY		
											CAVITY WITH A NUMBER INDICATES BLOCKED TERMINAL POSITION																						DRESS COVER		
											CAVITY WITHOUT A NUMBER INDICATES OPEN TERMINAL POSITION																								
MX123 CONN ASSY 73 CKT BLU OPT0 KEY C/35	345666073	C-HSG-C0	G-CAP-0-P	TPA-C0	RS	LS	MAL	CPA	MSEAL	RSEAL	72	71	70	-	68	-	-	65	-	63	62	-	-	59	58	-	56	55	-	53	SALEABLE		345650003		
											-	-	-	-	-	-	47	-	-	-	43	42	-	40	39	38	-	36	35	-				-	
																					-	31	30	29	-	-	26	-	24	23				22	21
MX123 CONN ASSY 73 CKT BLU OPT0 KEY C/38	345666083	C-HSG-C0	G-CAP-0-P	TPA-C0	RS	LS	MAL	CPA	MSEAL	RSEAL	-	71	-	69	-	-	-	65	64	-	-	61	60	-	58	-	56	55	54	-	SALEABLE		345650003		
											-	-	50	49	-	-	-	45	-	43	-	41	-	-	38	-	-	35	-	-					
																					-	31	-	29	28	27	-	-	24	23				-	-
MX123 CONN ASSY 73 CKT GRY OPT0 KEY B/22	345666093	C-HSG-B0	G-CAP-0-P	TPA-B0	RS	LS	MAL	CPA	MSEAL	RSEAL	-	71	-	69	68	-	66	65	64	-	-	-	-	58	57	56	55	54	53	SALEABLE		345650003			
											-	51	50	49	48	47	-	45	44	-	42	-	-	39	38	37	36	35	34				33		
																					32	31	30	29	28	-	26	25	24				23	22	21
MX123 CONN ASSY 73 CKT GRY OPT0 KEY B/51	345666103	C-HSG-B0	G-CAP-0-P	TPA-B0	RS	LS	MAL	CPA	MSEAL	RSEAL	72	71	70	69	68	-	-	-	64	63	-	61	60	-	58	-	56	-	54	-	SALEABLE		345650003		
											52	51	50	-	-	-	46	45	44	43	-	41	40	-	38	-	36	-	34	-					
																					32	31	30	-	28	27	-	25	24	-				22	-
MX123 CONN ASSY 73 CKT BLK OPT0 KEY A/66	345666113	C-HSG-A0	G-CAP-0-P	TPA-A0	RS	LS	MAL	CPA	MSEAL	RSEAL	-	-	-	-	-	67	-	-	-	-	-	-	-	59	-	-	-	-	-	SALEABLE		345650003			
											-	-	-	-	-	47	-	-	-	-	-	-	-	-	-	-	-	35	-				-		
																					-	-	-	-	-	-	-	-	24				-	-	-
MX123 CONN ASSY 73 CKT BLU OPT0 KEY C/33	345666123	C-HSG-C0	G-CAP-0-P	TPA-C0	RS	LS	MAL	CPA	MSEAL	RSEAL	72	71	70	-	68	-	-	65	-	63	-	61	-	59	58	-	56	55	-	53	SALEABLE		345650003		
											-	-	-	49	-	47	-	-	-	43	-	41	40	39	38	-	36	35	-	-					
																					32	31	30	29	-	-	25	24	23	22				21	20
MX123 CONN ASSY 73 CKT BLU OPT9 KEY C/38	345666133	C-HSG-C9	G-CAP-9-P	TPA-C9	RS	LS	MAL	CPA	MSEAL	RSEAL	-	71	-	69	-	-	66	65	64	-	-	61	60	-	58	-	56	55	54	-	SALEABLE		345650003		
											-	-	50	49	-	-	46	45	-	43	-	41	-	-	-	-	-	35	-	-					
																					-	31	-	29	28	27	-	-	-	23				-	-
MX123 CONN ASSY 73 CKT GRY OPT9 KEY B/33	345666173	C-HSG-B9	G-CAP-9-P	TPA-B9	RS	LS	MAL	CPA	MSEAL	RSEAL	72	71	70	69	68	-	-	65	64	63	62	61	60	59	58	57	56	55	54	53	SALEABLE		345650003		
											52	51	50	49	-	-	46	45	44	43	42	-	40	39	38	37	36	35	34	33					
																					-	-	-	-	28	-	-	-	-	23				-	-
MX123 CONN ASSY 73 CKT BLK OPT9 KEY A/32	345666183	C-HSG-A9	G-CAP-9-P	TPA-A9	RS	LS	MAL	CPA	MSEAL	RSEAL	72	71	70	69	68	67	-	65	64	63	62	61	60	59	58	57	56	55	54	53	SALEABLE		345650003		
											52	51	50	49	-	-	46	45	44	43	42	-	40	39	38	37	36	35	34	33					
																					-	-	-	-	28	-	-	-	-	23				-	-
MX123 CONN ASSY 73 CKT GRY OPT9 KEY B/57	345666193	C-HSG-B9	G-CAP-9-P	TPA-B9	RS	LS	MAL	CPA	MSEAL	RSEAL	-	-	-	-	-	-	-	-	-	63	-	-	-	-	-	-	-	-	53	SALEABLE		345650003			
											-	-	-	-	48	47	-	45	-	43	42	-	-	39	-	-	-	35	34				33		
																					-	-	-	-	-	-	-	-	23				22	-	-
MX123 CONN ASSY 73 CKT BLK OPT0 KEY A/33	345666203	C-HSG-A0	G-CAP-0-P	TPA-A0	RS	LS	MAL	CPA	MSEAL	RSEAL	72	-	-	-	-	67	66	-	-	-	62	-	60	-	58	-	-	55	54	53	SALEABLE		345650003		
											-	-	-	-	48	-	46	45	44	43	42	-	40	39	-	-	-	35	-	-					
																					-	-	-	-	-	26	25	-	-	22				21	-
MX123 CONN ASSY 73 CKT BLK OPT9 KEY A/33	345666213	C-HSG-A9	G-CAP-9-P	TPA-A9	RS	LS	MAL	CPA	MSEAL	RSEAL	72	71	70	69	68	-	-	65	64	63	62	61	60	59	58	57	56	55	54	53	SALEABLE		345650003		
											52	51	50	49	-	-	46	45	44	43	42	-	40	39	38	37	36	35	34	33					
																					-	-	-	-	28	-	-	-	-	23				-	-



ASSEMBLY DESCRIPTION	ASSEMBLY PART NUMBER	CONNECTOR HOUSING	GROMMET CAP	TPA	RIGHT SLIDE	LEFT SLIDE	MATE ASSIST LEVER	CPA	MAT SEAL	RING SEAL	BLOCKED TERMINALS																		STATUS	COMMENTS	INTEGRAL COMPONENTS SOLD SEPARATELY						
											CAVITY WITH A NUMBER INDICATES BLOCKED TERMINAL POSITION																				DRESS COVER						
											CAVITY WITHOUT A NUMBER INDICATES OPEN TERMINAL POSITION																										
MX123 CONN ASSY 73 CKT BLU OPT9 KEY C/36	345666223	C-HSG-C9	G-CAP-9-P	TPA-C9	RS	LS	MAL	CPA	MSEAL	RSEAL	-	71	-	69	-	67	-	65	64	-	-	61	60	-	58	-	56	55	54	-							
											-	-	50	49	-	-	-	45	-	43	42	41	-	-	38	37	36	35	-	-							
																						-	31	-	29	28	-	-	-	24	23	-	-	-	19	18	17
																						16	-	-	-	12	11	-	-	8	7	-	-	-	3	2	1
MX123 CONN ASSY 73 CKT GRY OPT9 KEY B/34	345666233	C-HSG-B9	G-CAP-9-P	TPA-B9	RS	LS	MAL	CPA	MSEAL	RSEAL	-	71	-	69	-	67	-	65	64	63	62	61	-	-	58	57	56	-	-	-							
											-	51	-	49	-	47	-	45	44	43	42	41	-	-	38	37	36	-	-	-							
																						-	-	-	-	-	-	-	-	23	22	21	20	19	18	-	
																						-	15	14	13	12	11	-	9	-	7	6	5	4	3	-	-
MX123 CONN ASSY 73 CKT BLK OPT9 KEY A/39	345666243	C-HSG-A9	G-CAP-9-P	TPA-A9	RS	LS	MAL	CPA	MSEAL	RSEAL	72	-	-	-	68	67	66	65	-	-	62	61	-	-	-	-	-	-	-								
											-	-	-	-	48	47	46	-	-	-	-	-	40	-	38	-	-	35	-	33							
																						-	31	-	29	-	27	-	25	24	23	22	21	20	-	-	17
																						-	-	-	13	-	11	-	9	8	7	6	5	4	-	2	1
MX123 CONN ASSY 73 CKT BLU OPT9 KEY C/43	345666253	C-HSG-C9	G-CAP-9-P	TPA-C9	RS	LS	MAL	CPA	MSEAL	RSEAL	-	71	-	69	-	-	-	65	64	-	-	61	60	-	58	-	56	55	54	-							
											-	-	50	-	-	-	-	45	-	43	42	41	-	-	38	-	-	35	-	-							
																						-	31	-	29	28	-	-	-	23	-	-	-	19	18	17	
																						16	-	-	-	12	11	-	-	7	-	-	-	3	-	1	
MX123 CONN ASSY 73 CKT GRY OPT9 KEY B/53	345666263	C-HSG-B9	G-CAP-9-P	TPA-B9	RS	LS	MAL	CPA	MSEAL	RSEAL	-	-	-	69	-	-	-	65	64	63	-	-	-	-	-	-	-	-	-								
											-	-	-	49	-	-	-	45	44	43	-	-	-	-	-	-	-	-	-	-							
																						-	-	-	-	-	-	-	-	23	22	21	20	19	-	-	
																						-	-	-	-	12	11	-	9	-	7	6	5	4	-	-	-
MX123 CONN ASSY 73 CKT GRY OPT9 KEY B/48	345666273	C-HSG-B9	G-CAP-9-P	TPA-B9	RS	LS	MAL	CPA	MSEAL	RSEAL	72	-	-	-	68	67	66	-	-	-	-	-	59	-	-	-	-	-	-								
											-	-	-	-	48	47	46	-	-	-	-	40	-	38	-	-	35	-	33								
																						-	31	-	-	-	-	25	-	23	22	21	20	-	-	17	
																						-	-	-	-	-	-	9	8	7	6	5	4	-	2	1	
MX123 CONN ASSY 73 CKT BLU OPT9 KEY C/35	345666283	C-HSG-C9	G-CAP-9-P	TPA-C9	RS	LS	MAL	CPA	MSEAL	RSEAL	-	71	-	69	-	-	-	65	64	-	-	61	60	-	58	-	56	55	54	-							
											-	-	50	49	-	-	-	45	-	43	42	41	-	-	38	37	36	35	-	-							
																						-	31	-	29	28	-	-	-	24	23	-	-	20	19	18	17
																						16	-	-	13	12	11	-	-	8	7	-	-	-	3	2	1
MX123 CONN ASSY 73 CKT GRY OPT9 KEY B/51	345666293	C-HSG-B9	G-CAP-9-P	TPA-B9	RS	LS	MAL	CPA	MSEAL	RSEAL	-	-	-	69	-	-	-	65	64	63	-	-	-	-	-	-	-	-	-								
											-	-	-	49	-	-	-	45	44	43	-	-	-	-	-	-	-	-	-	-							
																						-	-	-	-	-	-	-	-	23	22	21	20	19	18	-	
																						-	-	-	-	12	11	-	9	-	7	6	5	4	3	-	-
MX123 CONN ASSY 73 CKT BLK OPT0 KEY A/32	345666303	C-HSG-A0	G-CAP-0-P	TPA-A0	RS	LS	MAL	CPA	MSEAL	RSEAL	72	-	-	-	67	66	-	-	-	-	62	-	60	-	58	-	-	55	54	53							
											-	-	-	-	48	-	46	45	44	43	42	-	40	39	-	-	-	35	-	-							
																						-	-	-	-	-	26	25	-	-	22	21	-	-	-	17	
																						-	15	14	-	-	-	-	8	7	6	5	4	3	-	-	
MX123 CONN ASSY 73 CKT GRY OPT9 KEY B/40	345666313	C-HSG-B9	G-CAP-9-P	TPA-B9	RS	LS	MAL	CPA	MSEAL	RSEAL	72	71	-	-	68	67	66	65	64	-	-	-	-	59	-	-	-	-	-	-							
											-	-	-	-	48	47	46	45	-	-	-	-	40	-	38	-	-	35	-	33							
																						-	31	30	-	-	-	25	24	23	22	21	20	-	-	17	
																						-	-	-	-	-	-	9	8	7	6	5	4	-	2	1	
MX123 CONN ASSY 73 CKT GRY OPT9 KEY B/39	345666323	C-HSG-B9	G-CAP-9-P	TPA-B9	RS	LS	MAL	CPA	MSEAL	RSEAL	72	-	-	-	68	67	66	65	-	-	62	61	-	-	-	-	-	-	-								
											-	-	-	-	48	47	46	-	-	-	-	40	-	38	-	-	35	-	33								
																						-	31	-	29	-	27	-	25	24	23	22	21	20	-	-	17
																						-	-	-	13	-	11	-	9	8	7	6	5	4	-	2	1
MX123 CONN ASSY 73 CKT BLU OPT9 KEY C/40	345666333	C-HSG-C9	G-CAP-9-P	TPA-C9	RS	LS	MAL	CPA	MSEAL	RSEAL	-	71	-	69	-	-	-	65	64	-	-	61	60	-	58	-	-	-	54	-							
											-	-	50	49	-	-	-	45	-	43	42	41	-	-	38	37	36	35	-	-							
																						-	31	-	29	28	-	-	-	24	23	-	-	20	-	-	17
																						16	-	-	13	12	11	-	-	8	7	-	-	-	-	2	1

ASSEMBLY DESCRIPTION	ASSEMBLY PART NUMBER	CONNECTOR HOUSING	GROMMET CAP	TPA	RIGHT SLIDE	LEFT SLIDE	MATE ASSIST LEVER	CPA	MAT SEAL	RING SEAL	BLOCKED TERMINALS																		STATUS	COMMENTS	INTEGRAL COMPONENTS SOLD SEPARATELY
											CAVITY WITH A NUMBER INDICATES BLOCKED TERMINAL POSITION CAVITY WITHOUT A NUMBER INDICATES OPEN TERMINAL POSITION																				DRESS COVER
MX123 CONN ASSY 73 CKT BLK OPT9 KEY A/44	345666343	C-HSG-A9	G-CAP-9-P	TPA-A9	RS	LS	MAL	CPA	MSEAL	RSEAL	72	71	-	-	68	67	66	65	64	-	-	-	-	59	-	-	-	-	-	-	
											-	-	-	-	48	47	46	45	-	-	-	-	-	38	-	-	35	-	33		
											-																				
MX123 CONN ASSY 73 CKT BLU OPT9 KEY C/43	345666353	C-HSG-C9	G-CAP-9-P	TPA-C9	RS	LS	MAL	CPA	MSEAL	RSEAL	-	71	-	69	-	67	-	65	64	-	-	61	60	-	-	-	-	54	-		
											-	-	50	49	-	-	-	45	-	43	42	41	-	-	38	37	36	35	-	-	
											-																				
MX123 CONN ASSY 73 CKT GRY OPT9 KEY B/38	345666363	C-HSG-B9	G-CAP-9-P	TPA-B9	RS	LS	MAL	CPA	MSEAL	RSEAL	-	71	-	69	-	67	-	65	64	63	62	61	-	-	58	57	56	-	-	-	
											-	51	-	49	-	47	-	45	44	43	42	41	-	-	38	37	36	-	-	-	
											-																				
MX123 CONN ASSY 73 CKT BLK OPT9 KEY A/50	345666373	C-HSG-A9	G-CAP-9-P	TPA-A9	RS	LS	MAL	CPA	MSEAL	RSEAL	-	-	-	-	68	-	66	65	-	-	62	61	-	-	-	-	-	-	-		
											-	-	-	-	48	-	46	-	-	-	-	-	-	38	-	-	35	-	33		
											-																				
MX123 CONN ASSY 73 CKT BLK OPT9 KEY A/52	345666383	C-HSG-A9	G-CAP-9-P	TPA-A9	RS	LS	MAL	CPA	MSEAL	RSEAL	-	-	-	-	-	67	-	-	-	-	62	-	-	59	58	-	-	55	-	-	
											-	-	-	-	-	47	-	-	-	-	-	-	-	-	-	-	35	-	-		
											-																				
MX123 CONN ASSY 73 CKT BLU OPT9 KEY C/47	345666393	C-HSG-C9	G-CAP-9-P	TPA-C9	RS	LS	MAL	CPA	MSEAL	RSEAL	72	-	-	-	68	-	-	-	-	63	-	-	-	59	-	-	56	-	-	53	
											-	-	-	-	-	-	-	-	-	43	-	-	40	39	-	-	36	-	-		
											-																				
MX123 CONN ASSY 73 CKT BLK OPT0 KEY A/34	345666403	C-HSG-A0	G-CAP-0-P	TPA-A0	RS	LS	MAL	CPA	MSEAL	RSEAL	72	-	70	-	-	67	66	-	-	-	62	-	60	-	-	57	-	55	54	53	
											-	51	-	-	48	-	46	45	44	43	42	-	40	39	-	-	35	-	-		
											-																				
MX123 CONN ASSY 73 CKT GRY OPT9 KEY B/35	345666413	C-HSG-B9	G-CAP-9-P	TPA-B9	RS	LS	MAL	CPA	MSEAL	RSEAL	-	71	70	69	-	-	66	65	64	-	-	-	-	58	57	56	-	54	53		
											-	51	50	49	-	-	-	45	-	-	42	-	-	39	-	-	-	-	34	33	
											-																				
MX123 CONN ASSY 73 CKT BLU OPT9 KEY C/41	345666423	C-HSG-C9	G-CAP-9-P	TPA-C9	RS	LS	MAL	CPA	MSEAL	RSEAL	-	-	-	-	68	-	-	-	-	63	62	61	60	59	58	57	-	55	-	53	
											-	-	-	-	48	-	-	-	-	43	42	41	40	-	-	37	36	35	-	33	
											-																				
MX123 CONN ASSY 73 CKT BLK OPT9 KEY A/36	345666433	C-HSG-A9	G-CAP-9-P	TPA-A9	RS	LS	MAL	CPA	MSEAL	RSEAL	-	71	-	69	68	-	66	65	64	-	-	62	61	-	-	-	-	54	53		
											-	-	50	49	-	-	-	45	44	-	-	41	-	-	-	-	-	-	34	33	
											-																				
MX123 CONN ASSY 73 CKT GRY OPT9 KEY B/64	345666443	C-HSG-B9	G-CAP-9-P	TPA-B9	RS	LS	MAL	CPA	MSEAL	RSEAL	-	-	-	-	-	-	-	-	-	-	62	-	-	59	58	-	-	54	53		
											-	-	-	-	-	-	-	-	-	42	-	-	39	-	-	-	-	-	-		
											-																				
MX123 CONN ASSY 73 CKT BLU OPT0 KEY C/43	345666453	C-HSG-C0	G-CAP-0-P	TPA-C0	RS	LS	MAL	CPA	MSEAL	RSEAL	72	-	-	-	68	-	66	-	-	63	-	-	-	59	58	-	56	55	-	53	
											-	-	-	-	-	-	-	-	-	43	-	-	40	39	38	-	36	35	-	-	
											-																				



ASSEMBLY DESCRIPTION	ASSEMBLY PART NUMBER	CONNECTOR HOUSING	GROMMET CAP	TPA	RIGHT SLIDE	LEFT SLIDE	MATE ASSIST LEVER	CPA	MAT SEAL	RING SEAL	BLOCKED TERMINALS																				STATUS	COMMENTS	INTEGRAL COMPONENTS SOLD SEPARATELY
											CAVITY WITH A NUMBER INDICATES BLOCKED TERMINAL POSITION																						DRESS COVER
											CAVITY WITHOUT A NUMBER INDICATES OPEN TERMINAL POSITION																						
MX123 CONN ASSY 73 CKT GRY OPT0 KEY B/23	345666463	C-HSG-B0	G-CAP-0-P	TPA-B0	RS	LS	MAL	CPA	MSEAL	RSEAL	-	71	70	69	-	-	66	65	64	63	-	-	60	59	58	57	56	-	54	53	SALEABLE		345650003
											-	51	50	49	-	-	-	45	44	-	42	41	-	39	38	37	36	35	34	33			
															32	31	-	29	28	27	26	25	24	23	22	21	-	-	-	17			
															-	-	-	13	12	11	10	9	-	7	6	5	-	3	-	1			
MX123 CONN ASSY 73 CKT BLU OPT9 KEY C/40	345666473	C-HSG-C9	G-CAP-9-P	TPA-C9	RS	LS	MAL	CPA	MSEAL	RSEAL	72	71	-	-	68	-	-	65	-	63	-	61	-	59	58	-	56	-	-	53	SALEABLE		345650003
											-	-	-	49	-	47	-	-	-	43	-	41	40	39	38	-	36	-	-	-			
															-	31	30	29	-	-	-	25	24	23	22	21	20	-	-	-			
															-	-	-	-	-	-	-	-	-	-	6	5	4	3	2	1			
MX123 CONN ASSY 73 CKT BLK OPT9 KEY A/52	345666483	C-HSG-A9	G-CAP-9-P	TPA-A9	RS	LS	MAL	CPA	MSEAL	RSEAL	-	-	-	-	-	67	-	-	-	-	62	-	-	59	58	-	-	55	-	-	SALEABLE		345650003
											-	-	-	-	-	47	-	-	-	-	42	41	-	-	-	-	-	35	-	-			
															-	-	-	-	-	27	-	-	24	-	-	-	-	19	18	17			
															16	-	-	-	-	11	10	-	8	-	-	-	4	3	-	1			
MX123 CONN ASSY 73 CKT GRY OPT9 KEY B/22	345666493	C-HSG-B9	G-CAP-9-P	TPA-B9	RS	LS	MAL	CPA	MSEAL	RSEAL	-	71	-	69	68	67	66	65	64	63	-	-	60	59	58	57	56	-	54	53	SALEABLE		345650003
											-	51	50	49	-	-	-	45	44	-	42	-	-	39	38	37	36	35	34	33			
															32	31	-	29	28	27	26	25	24	23	22	21	-	-	-	17			
															-	-	-	13	12	11	10	9	8	7	6	5	-	3	-	1			
MX123 CONN ASSY 73 CKT BLK OPT0 KEY A/33	345666503	C-HSG-A0	G-CAP-0-P	TPA-A0	RS	LS	MAL	CPA	MSEAL	RSEAL	72	-	70	-	-	67	66	-	-	-	62	-	60	-	-	57	-	55	54	53	SALEABLE		345650003
											-	51	-	-	48	-	46	45	44	43	42	-	40	39	-	-	-	35	-	-			
															-	-	-	-	-	26	25	-	-	22	21	-	-	-	-				
															-	15	14	-	-	-	-	-	8	7	6	5	4	3	-	-			
MX123 CONN ASSY 73 CKT GRY OPT0 KEY B/23	345666513	C-HSG-B0	G-CAP-0-P	TPA-B0	RS	LS	MAL	CPA	MSEAL	RSEAL	-	71	70	69	-	-	66	65	64	63	-	-	60	59	58	57	56	-	-	53	SALEABLE		345650003
											-	51	50	49	48	47	-	45	44	-	42	41	-	39	38	37	36	35	34	33			
															32	31	30	29	28	27	26	25	24	23	22	21	-	-	-	-			
															-	-	-	13	12	11	10	9	-	7	6	5	-	-	-	1			
MX123 CONN ASSY 73 CKT GRY OPT0 KEY B/25	345666523	C-HSG-B0	G-CAP-0-P	TPA-B0	RS	LS	MAL	CPA	MSEAL	RSEAL	72	71	70	69	-	-	66	65	-	63	62	61	60	-	-	57	56	55	-	53	SALEABLE		345650003
											52	51	50	49	48	47	-	-	44	43	42	41	40	-	-	37	36	35	34	33			
															-	31	-	-	-	-	26	25	24	-	-	21	20	19	18	-			
															16	-	14	-	12	-	-	9	8	7	-	5	4	3	2	-			
MX123 CONN ASSY 73 CKT GRY OPT9 KEY B/15	345666533	C-HSG-B9	G-CAP-9-P	TPA-B9	RS	LS	MAL	CPA	MSEAL	RSEAL	72	71	70	69	-	-	66	65	-	63	62	61	60	59	58	57	56	55	54	53	SALEABLE		345650003
											52	51	50	49	48	47	-	-	44	43	42	41	40	39	38	37	36	35	34	33			
															-	31	-	-	-	-	26	25	24	23	22	21	20	19	18	-			
															16	15	14	13	12	11	-	9	8	-	6	5	4	3	2	-			
MX123 CONN ASSY 73 CKT BLK OPT9 KEY A/53	345666543	C-HSG-A9	G-CAP-9-P	TPA-A9	RS	LS	MAL	CPA	MSEAL	RSEAL	-	-	-	-	-	67	-	-	-	-	62	-	-	59	58	-	-	55	-	-	SALEABLE		345650003
											-	-	-	-	-	47	-	-	-	-	42	41	-	-	-	-	-	35	-	-			
															-	-	-	-	-	27	-	-	24	-	-	-	-	19	18	17			
															16	-	-	-	-	11	10	-	8	-	-	-	-	3	-	1			
MX123 CONN ASSY 73 CKT BLK OPT9 KEY A/46	345666553	C-HSG-A9	G-CAP-9-P	TPA-A9	RS	LS	MAL	CPA	MSEAL	RSEAL	-	-	-	-	68	-	66	65	-	-	62	61	-	-	-	-	-	-	-	SALEABLE		345650003	
											-	-	-	-	48	-	46	-	-	-	-	-	-	38	-	-	35	-	33				
															-	31	-	29	-	27	-	25	24	23	22	21	20	-	-				-
															16	-	-	13	12	11	-	9	-	7	6	-	4	-	-				-
MX123 CONN ASSY 73 CKT BLU OPT9 KEY C/41	345666563	C-HSG-C9	G-CAP-9-P	TPA-C9	RS	LS	MAL	CPA	MSEAL	RSEAL	-	71	-	69	-	67	-	65	64	-	-	61	60	-	-	-	56	55	54	-	SALEABLE		345650003
											-	-	50	49	-	-	-	45	-	43	42	41	-	-	38	37	36	35	-	-			
															-	31	-	29	28	-	-	-	24	-	-	-	-	19	18	-			
															16	-	-	-	12	11	-	8	-	-	-	-	3	2	-				
MX123 CONN ASSY 73 CKT BLK OPT9 KEY A/47	345666573	C-HSG-A9	G-CAP-9-P	TPA-A9	RS	LS	MAL	CPA	MSEAL	RSEAL	-	-	-	-	68	-	66	65	-	-	62	61	-	-	-	-	-	-	SALEABLE		345650003		
											-	-	-	-	48	-	46	-	-	-	-	-	-	38	-	-	35	-				33	
															-	31	-	29	-	27	-	25	24	-	22	-	20	-				-	17
															-	-	-	13	-	11	-	9	-	7	6	-	4	-				2	1

ASSEMBLY DESCRIPTION	ASSEMBLY PART NUMBER	CONNECTOR HOUSING	GROMMET CAP	TPA	RIGHT SLIDE	LEFT SLIDE	MATE ASSIST LEVER	CPA	MAT SEAL	RING SEAL	BLOCKED TERMINALS																STATUS	COMMENTS	INTEGRAL COMPONENTS SOLD SEPARATELY													
											CAVITY WITH A NUMBER INDICATES BLOCKED TERMINAL POSITION																		DRESS COVER													
											CAVITY WITHOUT A NUMBER INDICATES OPEN TERMINAL POSITION																															
MX123 CONN ASSY 73 CKT BLK OPT9 KEY A/41	345666583	C-HSG-A9	G-CAP-9-P	TPA-A9	RS	LS	MAL	CPA	MSEAL	RSEAL	72	71	-	-	68	67	66	65	64	-	-	-	-	59	-	-	-	-	-	-												
											-	-	-	-	48	47	46	45	-	-	-	-	-	-	38	-	-	35	-	33												
											-																-	-	-	-	17											
											-																-	-	-	-	9	8	7	6	5	4	-	2	1			
MX123 CONN ASSY 73 CKT BLU OPT0 KEY C/37	345666593	C-HSG-C0	G-CAP-0-P	TPA-C0	RS	LS	MAL	CPA	MSEAL	RSEAL	72	71	70	-	68	-	66	65	-	63	-	61	-	59	58	-	56	-	-	53												
											-	-	-	49	-	47	-	-	-	43	-	41	40	39	38	-	36	-	-													
											-																-	-	-	-	25	24	23	22	21	-	-	-				
											-																-	-	-	-	-	-	-	8	7	6	5	4	3	2	1	
MX123 CONN ASSY 73 CKT BLK OPT0 KEY A/50	345666613	C-HSG-A0	G-CAP-0-P	TPA-A0	RS	LS	MAL	CPA	MSEAL	RSEAL	-	-	-	-	68	67	-	65	-	-	62	-	-	59	58	-	-	55	-	-												
											-	-	-	-	48	47	-	-	-	-	42	41	-	-	-	-	-	35	-	-												
											-																-	-	-	-	27	-	-	24	-	-	-	20	19	18	17	
											-																-	-	-	-	11	10	-	8	-	-	-	4	3	-	-	
MX123 CONN ASSY 73 CKT GRY OPT9 KEY B/25	345666623	C-HSG-B9	G-CAP-9-P	TPA-B9	RS	LS	MAL	CPA	MSEAL	RSEAL	72	71	70	69	-	-	66	65	-	63	62	61	60	-	-	57	56	55	-	53												
											52	51	50	49	48	47	-	-	44	43	42	41	40	-	-	37	36	35	34	33												
											-																-	31	-	-	-	-	26	25	24	-	-	21	20	19	18	-
											-																16	-	14	-	12	-	-	9	8	7	-	5	4	3	2	-
MX123 CONN ASSY 73 CKT BLU OPT9 KEY C/33	345666633	C-HSG-C9	G-CAP-9-P	TPA-C9	RS	LS	MAL	CPA	MSEAL	RSEAL	72	71	70	-	68	-	-	65	-	63	-	61	-	59	58	-	56	55	-	53												
											-	-	-	49	-	47	-	-	-	43	-	41	40	39	38	-	36	35	-	-												
											-																32	31	30	29	-	-	-	25	24	23	22	21	20	19	18	17
											-																-	-	-	-	-	-	-	-	-	-	6	5	4	3	2	1
MX123 CONN ASSY 73 CKT BLU OPT9 KEY C/37	345666643	C-HSG-C9	G-CAP-9-P	TPA-C9	RS	LS	MAL	CPA	MSEAL	RSEAL	72	-	70	69	-	-	66	-	-	-	62	-	-	59	-	-	56	55	-	53												
											-	-	-	49	-	47	46	-	44	-	42	-	40	39	-	-	36	35	-	-												
											-																32	31	30	29	-	-	26	-	24	23	22	21	20	19	-	17
											-																-	-	-	-	-	-	-	-	-	-	6	5	4	3	2	1
MX123 CONN ASSY 73 CKT GRY OPT9 KEY B/30	345666653	C-HSG-B9	G-CAP-9-P	TPA-B9	RS	LS	MAL	CPA	MSEAL	RSEAL	-	71	70	69	-	67	66	65	64	63	-	-	-	-	58	57	56	-	54	53												
											-	51	50	49	-	-	-	45	-	-	42	-	-	39	-	-	-	-	34	33												
											-																32	31	-	29	28	27	26	25	24	23	22	21	-	-	-	17
											-																-	15	-	13	12	11	10	9	-	7	6	-	-	3	2	-
MX123 CONN ASSY 73 CKT BLK OPT9 KEY A/51	345666663	C-HSG-A9	G-CAP-9-P	TPA-A9	RS	LS	MAL	CPA	MSEAL	RSEAL	-	-	-	-	-	67	-	-	-	-	62	61	-	59	58	-	-	55	-	53												
											-	-	-	-	-	47	-	-	-	-	-	41	-	-	-	-	-	35	-	33												
											-																-	-	-	-	-	27	-	-	24	-	-	-	-	19	18	17
											-																16	-	-	-	-	11	10	-	8	-	-	-	-	3	-	1
MX123 CONN ASSY 73 CKT GRY OPT9 KEY B/65	345666673	C-HSG-B9	G-CAP-9-P	TPA-B9	RS	LS	MAL	CPA	MSEAL	RSEAL	-	-	-	-	-	-	-	-	-	-	62	-	-	-	58	-	-	-	54	53												
											-	-	-	-	-	-	-	-	-	-	42	-	-	-	-	-	-	-	-	-												
											-																-	-	-	-	-	27	-	25	-	-	-	-	-	-	-	
											-																-	-	-	-	-	10	-	-	-	-	-	-	-	-	-	-
MX123 CONN ASSY 73 CKT BLK OPT9 KEY A/37	345666683	C-HSG-A9	G-CAP-9-P	TPA-A9	RS	LS	MAL	CPA	MSEAL	RSEAL	-	71	-	69	68	-	66	65	64	-	62	61	-	-	-	-	56	55	54	53												
											-	51	50	49	-	-	-	45	44	-	-	41	-	-	-	-	36	35	34	33												
											-																-	-	-	-	-	26	25	24	23	-	-	20	19	18	17	
											-																-	-	-	-	-	10	-	8	7	-	5	4	3	-	-	
MX123 CONN ASSY 73 CKT BLU OPT9 KEY C/43	345666693	C-HSG-C9	G-CAP-9-P	TPA-C9	RS	LS	MAL	CPA	MSEAL	RSEAL	-	-	-	-	68	-	-	-	-	63	62	61	60	59	58	57	-	55	-	53												
											-	-	-	-	48	-	-	-	-	43	42	41	40	-	-	37	36	35	-	33												
											-																32	-	-	-	-	27	-	-	-	-	-	20	19	18	-	
											-																-	-	-	-	-	11	10	-	-	-	-	-	4	3	2	1
MX123 CONN ASSY 73 CKT BLK OPT9 KEY A/54	345666713	C-HSG-A9	G-CAP-9-P	TPA-A9	RS	LS	MAL	CPA	MSEAL	RSEAL	-	-	-	-	-	67	-	-	-	-	62	-	-	59	58	-	-	55	-	-												
											-	-	-	-	-	47	-	-	-	-	-	-	-	-	-	-	35	-	-													
											-																-	-	-	-	-	27	-	-	24	-	-	20	19	18	17	
											-																16	-	-	-	-	11	10	-	8	-	-	-	4	3	-	-

ASSEMBLY DESCRIPTION	ASSEMBLY PART NUMBER	CONNECTOR HOUSING	GROMMET CAP	TPA	RIGHT SLIDE	LEFT SLIDE	MATE ASSIST LEVER	CPA	MAT SEAL	RING SEAL	BLOCKED TERMINALS																				STATUS	COMMENTS	INTEGRAL COMPONENTS SOLD SEPARATELY	
											CAVITY WITH A NUMBER INDICATES BLOCKED TERMINAL POSITION																						DRESS COVER	
											CAVITY WITHOUT A NUMBER INDICATES OPEN TERMINAL POSITION																							
MX123 CONN ASSY 73 CKT BLU OPT9 KEY C/35	345666743	C-HSG-C9	G-CAP-9-P	TPA-C9	RS	LS	MAL	CPA	MSEAL	RSEAL	72	-	70	-	-	-	66	-	-	-	62	-	-	59	58	-	56	55	54	53	SALEABLE		345650003	
											-	-	-	49	-	47	-	-	44	-	42	-	40	39	38	-	36	35	-	-				
																					32	31	30	29	-	-	26	-	24	23				22
MX123 CONN ASSY 73 CKT BLK OPT9 KEY A/49	345666753	C-HSG-A9	G-CAP-9-P	TPA-A9	RS	LS	MAL	CPA	MSEAL	RSEAL	-	-	-	-	-	67	-	-	-	63	62	-	-	59	58	-	-	55	-	-	SALEABLE		345650003	
											-	-	-	-	-	47	-	-	-	-	41	-	-	-	-	35	-	-						
																					32	-	-	-	-	27	26	25	24	-				-
MX123 CONN ASSY 73 CKT GRY OPT9 KEY B/26	345666763	C-HSG-B9	G-CAP-9-P	TPA-B9	RS	LS	MAL	CPA	MSEAL	RSEAL	-	71	70	69	-	67	66	65	64	63	-	-	60	59	58	57	56	-	54	53	SALEABLE		345650003	
											-	51	-	-	-	48	47	-	-	44	-	42	41	-	39	38	37	36	35	-				33
																					32	31	30	-	28	27	26	25	24	23				-
MX123 CONN ASSY 73 CKT BLU OPT0 KEY C/40	345666773	C-HSG-C0	G-CAP-0-P	TPA-C0	RS	LS	MAL	CPA	MSEAL	RSEAL	-	71	-	69	-	67	-	65	64	-	-	61	60	-	-	-	56	55	54	-	SALEABLE		345650003	
											-	-	50	-	-	-	-	45	-	43	-	41	-	-	38	37	36	35	-	-				
																					-	31	-	29	28	27	-	-	24	23				-
MX123 CONN ASSY 73 CKT GRY OPT0 KEY B/37	345666783	C-HSG-B0	G-CAP-0-P	TPA-B0	RS	LS	MAL	CPA	MSEAL	RSEAL	-	71	-	69	-	67	-	65	64	63	62	61	-	-	58	57	56	-	-	-	SALEABLE		345650003	
											-	51	-	49	-	47	-	45	44	-	42	41	-	-	38	37	36	-	-	-				
																					-	-	-	-	-	-	-	-	22	21				20
MX123 CONN ASSY 73 CKT GRY OPT0 KEY B/42	345666793	C-HSG-B0	G-CAP-0-P	TPA-B0	RS	LS	MAL	CPA	MSEAL	RSEAL	-	71	-	69	-	67	-	65	-	-	62	61	-	-	58	57	56	-	-	-	SALEABLE		345650003	
											-	51	-	49	-	47	-	45	44	-	42	41	-	-	38	37	36	-	-	-				
																					-	-	-	-	-	-	-	-	22	21				-
MX123 CONN ASSY 73 CKT GRY OPT0 KEY B/55	345666803	C-HSG-B0	G-CAP-0-P	TPA-B0	RS	LS	MAL	CPA	MSEAL	RSEAL	72	71	70	69	68	67	66	-	64	63	62	61	60	-	58	-	56	-	54	-	SALEABLE		345650003	
											52	51	50	-	-	47	-	45	-	43	42	41	40	-	38	-	36	-	34	-				
																					32	31	30	-	-	27	26	25	24	-				22
MX123 CONN ASSY 73 CKT BLK OPT9 KEY A/55	345666813	C-HSG-A9	G-CAP-9-P	TPA-A9	RS	LS	MAL	CPA	MSEAL	RSEAL	72	-	-	-	-	-	66	-	-	-	-	-	-	59	-	-	-	-	-	SALEABLE		345650003		
											-	-	-	-	-	-	46	-	-	-	-	-	-	38	-	-	35	-	33					
																					-	31	-	-	-	-	-	-	23				22	-
MX123 CONN ASSY 73 CKT BLU OPT9 KEY C/45	345666823	C-HSG-C9	G-CAP-9-P	TPA-C9	RS	LS	MAL	CPA	MSEAL	RSEAL	-	71	-	69	-	-	-	65	64	-	-	61	60	-	58	-	56	55	54	-	SALEABLE		345650003	
											-	-	50	-	-	-	-	45	-	43	42	-	-	38	-	-	-	-	-					
																					-	31	-	29	28	-	-	-	23	-				-
MX123 CONN ASSY 73 CKT BLK OPT0 KEY A/36	345666833	C-HSG-A0	G-CAP-0-P	TPA-A0	RS	LS	MAL	CPA	MSEAL	RSEAL	72	71	-	-	68	67	66	65	64	-	62	61	-	-	-	-	-	-	SALEABLE		345650003			
											-	-	50	-	-	-	46	45	-	-	-	-	39	38	-	-	35	-				-		
																					-	31	30	29	-	27	-	25				24	23	22
MX123 CONN ASSY 73 CKT BLK OPT0 KEY A/54	345666843	C-HSG-A0	G-CAP-0-P	TPA-A0	RS	LS	MAL	CPA	MSEAL	RSEAL	-	-	-	-	-	67	-	-	-	-	62	-	-	59	58	-	-	55	-	-	SALEABLE		345650003	
											-	-	-	-	-	47	-	-	-	-	42	41	-	-	-	-	35	-	-					
																					-	-	-	-	-	27	-	24	-	-				-
MX123 CONN ASSY 73 CKT BLU OPT0 KEY C/43	345666853	C-HSG-C0	G-CAP-0-P	TPA-C0	RS	LS	MAL	CPA	MSEAL	RSEAL	72	71	70	-	68	-	-	65	-	63	-	-	-	59	58	-	56	-	-	53	SALEABLE		345650003	
											-	-	-	-	-	47	-	-	-	43	-	-	40	39	38	-	36	-	-					
																					-	31	30	29	-	-	-	-	24	23				22

ASSEMBLY DESCRIPTION	ASSEMBLY PART NUMBER	CONNECTOR HOUSING	GROMMET CAP	TPA	RIGHT SLIDE	LEFT SLIDE	MATE ASSIST LEVER	CPA	MAT SEAL	RING SEAL	BLOCKED TERMINALS																		STATUS	COMMENTS	INTEGRAL COMPONENTS SOLD SEPARATELY										
											CAVITY WITH A NUMBER INDICATES BLOCKED TERMINAL POSITION																				DRESS COVER										
											CAVITY WITHOUT A NUMBER INDICATES OPEN TERMINAL POSITION																														
MX123 CONN ASSY 73 CKT BLK OPT0 KEY A/54	345666863	C-HSG-A0	G-CAP-0-P	TPA-A0	RS	LS	MAL	CPA	MSEAL	RSEAL	-	-	-	-	-	67	-	-	-	-	62	-	-	59	58	-	-	55	-	-											
											-	-	-	-	-	47	-	-	-	-	41	-	-	-	-	-	35	-	-												
																										-	-	-	-	27	-	-	24	-	-	-	-	19	18	17	
																										16	-	-	-	-	11	10	-	8	-	-	-	-	3	-	1
MX123 CONN ASSY 73 CKT GRY OPT9 KEY B/36	345666873	C-HSG-B9	G-CAP-9-P	TPA-B9	RS	LS	MAL	CPA	MSEAL	RSEAL	-	71	70	69	-	-	66	65	64	-	-	-	-	58	57	56	-	54	-												
											-	51	50	49	-	-	-	45	-	-	42	-	-	39	-	-	-	-	34	33											
																										32	31	-	29	28	-	26	25	24	23	22	21	-	-	-	-
																										-	-	-	13	12	-	10	9	-	7	6	5	-	3	2	-
MX123 CONN ASSY 73 CKT BLK OPT9 KEY A/37	345666883	C-HSG-A9	G-CAP-9-P	TPA-A9	RS	LS	MAL	CPA	MSEAL	RSEAL	-	71	-	69	68	-	66	65	64	-	62	61	-	-	-	-	-	54	53												
											-	-	50	49	-	-	-	45	44	-	-	41	-	-	-	-	-	-	34	33											
																										32	31	30	29	-	-	26	25	24	23	-	-	20	19	-	-
																										16	15	14	13	-	-	10	-	8	-	6	-	4	3	-	-
MX123 CONN ASSY 73 CKT GRY OPT0 KEY B/66	345666893	C-HSG-B0	G-CAP-0-P	TPA-B0	RS	LS	MAL	CPA	MSEAL	RSEAL	-	-	-	-	-	-	-	-	-	-	-	-	-	58	-	-	-	54	53												
											-	-	-	-	-	-	-	-	-	-	42	-	-	-	-	-	-	-	-	-											
																										-	-	-	-	-	27	-	25	-	-	-	-	-	-	-	-
																										-	-	-	-	-	-	10	-	-	-	-	-	-	-	-	-
MX123 CONN ASSY 73 CKT GRY OPT0 KEY B/55	345666903	C-HSG-B0	G-CAP-0-P	TPA-B0	RS	LS	MAL	CPA	MSEAL	RSEAL	72	71	70	69	68	67	66	65	-	63	62	61	60	-	58	-	56	-	54	-											
											52	51	50	-	-	47	-	45	44	43	42	41	40	-	38	-	36	-	34	-											
																										-	31	30	-	28	27	26	25	24	-	22	-	20	19	-	17
																										16	15	14	13	12	11	10	9	8	-	6	5	4	3	2	1
MX123 CONN ASSY 73 CKT BLK OPT9 KEY A/63	345666913	C-HSG-A9	G-CAP-9-P	TPA-A9	RS	LS	MAL	CPA	MSEAL	RSEAL	-	-	-	-	-	-	-	-	-	-	62	61	-	-	-	-	-	-	53												
											-	-	-	-	-	-	-	-	-	-	-	-	-	-	-	-	-	-	-	33											
																										-	-	-	-	-	-	-	-	24	-	-	-	-	19	-	-
																										-	-	-	-	-	-	10	-	8	-	-	-	-	3	-	-
MX123 CONN ASSY 73 CKT BLU OPT9 KEY C/56	345666923	C-HSG-C9	G-CAP-9-P	TPA-C9	RS	LS	MAL	CPA	MSEAL	RSEAL	-	-	-	-	68	-	-	-	-	63	62	-	-	59	-	-	-	55	-	53											
											-	-	-	-	-	-	-	-	-	43	42	-	40	-	-	-	36	35	-	-											
																										-	-	-	-	-	-	-	-	-	-	-	-	20	19	-	-
																										-	-	-	-	-	-	-	-	-	-	-	-	4	3	2	1
MX123 CONN ASSY 73 CKT GRY OPT9 KEY B/39	345666933	C-HSG-B9	G-CAP-9-P	TPA-B9	RS	LS	MAL	CPA	MSEAL	RSEAL	-	71	70	69	-	-	66	65	64	-	-	-	-	58	57	56	-	54	-												
											-	51	50	49	-	-	-	45	-	-	42	-	-	39	-	-	-	-	34	33											
																										32	31	-	29	28	-	26	25	24	23	-	-	-	-	-	-
																										-	-	-	13	12	-	10	9	-	7	-	5	-	3	2	-
MX123 CONN ASSY 73 CKT BLK OPT9 KEY A/51	345666943	C-HSG-A9	G-CAP-9-P	TPA-A9	RS	LS	MAL	CPA	MSEAL	RSEAL	-	-	-	-	-	67	-	-	-	-	62	-	-	59	58	-	-	55	-	-											
											-	-	-	-	-	47	-	-	-	-	-	-	-	-	-	-	35	-	-												
																										-	-	-	-	-	27	26	25	24	-	-	-	20	19	18	17
																										16	-	-	-	-	11	10	9	8	-	-	-	-	4	3	-
MX123 CONN ASSY 73 CKT BLK OPT0 KEY A/52	345666953	C-HSG-A0	G-CAP-0-P	TPA-A0	RS	LS	MAL	CPA	MSEAL	RSEAL	-	-	-	-	68	67	-	65	-	-	62	-	-	59	58	-	-	55	-	-											
											-	-	-	-	48	47	-	-	-	-	42	41	-	-	-	-	35	-	-												
																										-	-	-	-	-	27	-	-	24	-	-	-	-	19	18	17
																										-	-	-	-	-	11	10	-	8	-	-	-	-	3	-	-
MX123 CONN ASSY 73 CKT GRY OPT0 KEY B/24	345666963	C-HSG-B0	G-CAP-0-P	TPA-B0	RS	LS	MAL	CPA	MSEAL	RSEAL	-	71	-	69	-	-	66	65	64	63	-	-	60	59	58	57	56	-	54	53											
											-	51	50	49	-	-	-	45	44	-	42	41	-	39	38	37	36	35	34	33											
																										32	31	-	29	28	27	26	25	24	23	22	21	-	-	-	17
																										-	-	-	13	12	11	10	9	-	7	6	5	-	3	-	1
MX123 CONN ASSY 73 CKT BLU OPT0 KEY C/46	345666973	C-HSG-C0	G-CAP-0-P	TPA-C0	RS	LS	MAL	CPA	MSEAL	RSEAL	72	-	-	-	68	-	66	-	-	63	-	-	-	59	58	-	56	-	-	53											
											-	-	-	-	-	-	-	-	-	43	-	-	40	39	38	-	36	-	-	-											
																										-	31	30	29	-	-	-	-	24	23	22	21	20	-	-	-
																										-	-	-	-	-	-	-	-	-	-	-	-	6	5	4	3

ASSEMBLY DESCRIPTION	ASSEMBLY PART NUMBER	CONNECTOR HOUSING	GROMMET CAP	TPA	RIGHT SLIDE	LEFT SLIDE	MATE ASSIST LEVER	CPA	MAT SEAL	RING SEAL	BLOCKED TERMINALS																			STATUS	COMMENTS	INTEGRAL COMPONENTS SOLD SEPARATELY	
											CAVITY WITH A NUMBER INDICATES BLOCKED TERMINAL POSITION CAVITY WITHOUT A NUMBER INDICATES OPEN TERMINAL POSITION																					DRESS COVER	
MX123 CONN ASSY 73 CKT BLU OPT0 KEY C/36	345666983	C-HSG-C0	G-CAP-0-P	TPA-C0	RS	LS	MAL	CPA	MSEAL	RSEAL	72	-	70	-	68	-	66	-	-	63	-	61	-	59	58	-	56	55	-	53	SALEABLE		345650003
											-	-	-	49	-	-	-	-	-	43	-	41	40	39	38	-	36	35	-	-			
															32	31	30	29	-	-	-	25	24	23	22	21	20	19	-	17			
MX123 CONN ASSY 73 CKT GRY OPT0 KEY B/43	345667003	C-HSG-B0	G-CAP-0-P	TPA-B0	RS	LS	MAL	CPA	MSEAL	RSEAL	72	71	70	69	68	-	-	65	64	63	62	61	60	-	58	-	-	-	54	-	SALEABLE		345650003
											52	51	-	-	-	-	46	45	44	43	42	41	40	-	38	-	-	-	34	-			
															32	31	30	-	28	27	26	25	24	-	22	-	20	19	-	-			
MX123 CONN ASSY 73 CKT BLK OPT9 KEY A/44	345667013	C-HSG-A9	G-CAP-9-P	TPA-A9	RS	LS	MAL	CPA	MSEAL	RSEAL	72	-	-	-	68	67	66	65	-	-	-	-	-	-	-	-	-	-	-	SALEABLE		345650003	
											-	-	-	-	48	47	46	-	-	-	-	40	-	38	-	-	35	-	33				
															-	31	30	-	-	-	-	25	24	23	22	21	20	-	-				17
MX123 CONN ASSY 73 CKT BLK OPT0 KEY A/51	345667023	C-HSG-A0	G-CAP-0-P	TPA-A0	RS	LS	MAL	CPA	MSEAL	RSEAL	-	-	-	-	-	67	-	-	-	63	62	-	-	59	58	-	-	55	-	-	SALEABLE		345650003
											-	-	-	-	-	47	-	-	-	42	41	-	-	-	-	35	-	-					
															32	-	-	-	-	27	-	-	24	-	-	-	19	18	17				
MX123 CONN ASSY 73 CKT BLK OPT0 KEY A/41	345667033	C-HSG-A0	G-CAP-0-P	TPA-A0	RS	LS	MAL	CPA	MSEAL	RSEAL	72	71	-	-	68	67	66	-	64	-	-	-	-	59	-	-	-	-	-	SALEABLE		345650003	
											-	-	50	-	48	47	46	45	-	-	-	-	40	39	38	-	-	35	-				33
															-	31	30	-	-	-	-	25	24	23	22	-	20	-	-				17
MX123 CONN ASSY 73 CKT GRY OPT0 KEY B/24	345667043	C-HSG-B0	G-CAP-0-P	TPA-B0	RS	LS	MAL	CPA	MSEAL	RSEAL	-	71	70	69	-	-	66	65	64	-	-	-	-	-	58	57	56	-	54	53	SALEABLE		345650003
											-	51	50	49	48	47	-	45	44	-	42	-	-	39	38	37	36	35	34	33			
															32	31	30	29	28	-	26	25	24	23	22	21	-	-	-	17			
MX123 CONN ASSY 73 CKT BLU OPT0 KEY C/39	345667053	C-HSG-C0	G-CAP-0-P	TPA-C0	RS	LS	MAL	CPA	MSEAL	RSEAL	72	-	70	-	68	-	66	-	-	63	-	-	-	59	58	-	56	55	-	53	SALEABLE		345650003
											-	-	-	-	-	-	-	-	-	43	-	-	40	39	38	-	36	35	-	-			
															32	31	30	29	-	-	-	-	24	23	22	21	20	19	18	17			
MX123 CONN ASSY 73 CKT BLU OPT0 KEY C/35	345667063	C-HSG-C0	G-CAP-0-P	TPA-C0	RS	LS	MAL	CPA	MSEAL	RSEAL	-	71	-	69	-	-	-	65	64	-	-	61	60	-	58	-	56	55	54	-	SALEABLE		345650003
											-	-	50	49	-	-	-	45	-	43	42	41	-	-	38	37	36	35	-	-			
															-	31	-	29	28	27	-	-	24	23	-	-	20	19	18	17			
MX123 CONN ASSY 73 CKT NAT OPT9 KEY F/17	345667073	C-HSG-F9	G-CAP-9-P	TPA-F9	RS	LS	MAL	CPA	MSEAL	RSEAL	72	71	70	-	-	67	66	65	64	63	62	61	60	59	-	-	56	55	54	53	SALEABLE		345650003
											52	51	50	49	48	47	46	45	44	-	-	41	40	39	-	-	36	35	34	-			
															32	31	-	29	28	27	26	25	24	23	22	21	20	-	-	-			
MX123 CONN ASSY 73 CKT GRY OPT9 KEY B/13	345667083	C-HSG-B9	G-CAP-9-P	TPA-B9	RS	LS	MAL	CPA	MSEAL	RSEAL	72	71	70	69	68	67	66	65	64	63	62	61	60	59	58	57	56	55	54	53	SALEABLE		345650003
											52	51	50	49	48	47	46	45	44	43	42	41	40	39	38	37	36	35	34	33			
															32	31	30	29	28	27	26	25	24	23	22	21	20	19	18	17			
MX123 CONN ASSY 73 CKT GRY OPT9 KEY B/49	345667093	C-HSG-B9	G-CAP-9-P	TPA-B9	RS	LS	MAL	CPA	MSEAL	RSEAL	-	-	-	-	-	-	-	-	-	-	62	61	60	-	58	57	56	55	54	-	SALEABLE		345650003
											-	-	-	-	-	-	-	-	-	-	-	-	-	-	-	-	-	-	-	-			
															-	-	-	-	-	-	-	-	-	-	22	21	20	19	18	-			
MX123 CONN ASSY 73 CKT BLK OPT0 KEY A/25	345667103	C-HSG-A0	G-CAP-0-P	TPA-A0	RS	LS	MAL	CPA	MSEAL	RSEAL	-	-	-	-	-	-	-	65	-	-	-	61	-	-	58	57	56	-	-	-	SALEABLE		345650003
											-	51	50	-	-	47	46	45	-	-	-	41	-	-	38	37	36	-	-	-			
															-	31	30	-	-	-	26	25	-	-	22	21	20	-	-	-			

ASSEMBLY DESCRIPTION	ASSEMBLY PART NUMBER	CONNECTOR HOUSING	GROMMET CAP	TPA	RIGHT SLIDE	LEFT SLIDE	MATE ASSIST LEVER	CPA	MAT SEAL	RING SEAL	BLOCKED TERMINALS																				STATUS	COMMENTS	INTEGRAL COMPONENTS SOLD SEPARATELY
											CAVITY WITH A NUMBER INDICATES BLOCKED TERMINAL POSITION																						DRESS COVER
											CAVITY WITHOUT A NUMBER INDICATES OPEN TERMINAL POSITION																						
MX123 CONN ASSY 73 CKT GRY OPT9 KEY B/8	345667133	C-HSG-B9	G-CAP-9-P	TPA-B9	RS	LS	MAL	CPA	MSEAL	RSEAL	72	71	70	69	68	67	66	65	64	63	62	61	60	59	-	57	56	55	-	-			
											52	51	50	49	48	47	46	45	44	43	-	41	40	39	38	37	36	35	34	33			
															32	31	30	29	28	-	26	-	24	23	22	21	20	19	18	17			
															16	15	14	13	12	11	-	9	8	7	6	5	4	3	2	1			
MX123 CONN ASSY 73 CKT BLK OPT0 KEY A/35	345667143	C-HSG-A0	G-CAP-0-P	TPA-A0	RS	LS	MAL	CPA	MSEAL	RSEAL	72	71	-	-	68	67	66	65	64	-	62	61	-	-	-	-	-	-	-	-			
											-	-	50	-	-	-	46	45	-	-	-	-	40	39	38	-	-	35	-	-			
															-	31	30	29	-	27	-	25	24	23	22	21	20	-	-	17			
															-	-	14	13	-	11	-	9	8	7	6	5	4	-	2	1			
MX123 CONN ASSY 73 CKT BLU OPT0 KEY C/45	345667153	C-HSG-C0	G-CAP-0-P	TPA-C0	RS	LS	MAL	CPA	MSEAL	RSEAL	-	71	-	69	-	67	-	65	64	-	-	61	60	-	-	-	56	55	54	-			
											-	-	50	-	-	-	45	-	43	-	41	-	-	38	-	-	35	-	-				
															-	31	-	29	28	27	-	-	-	23	-	-	20	-	-				
															16	-	-	13	12	11	-	-	-	7	-	-	-	3	-	-			
MX123 CONN ASSY 73 CKT BLK OPT0 KEY A/45	345667163	C-HSG-A0	G-CAP-0-P	TPA-A0	RS	LS	MAL	CPA	MSEAL	RSEAL	-	71	-	-	-	-	66	65	64	63	62	-	-	59	58	57	-	-	-	-			
											-	51	-	-	-	-	46	-	-	-	42	-	-	39	38	37	36	-	-	-			
															32	31	30	-	-	27	26	-	-	23	22	21	-	-	-	-			
															-	-	14	13	12	-	10	-	-	-	-	-	-	-	-	-			
MX123 CONN ASSY 73 CKT GRY OPT0 KEY B/23	345667173	C-HSG-B0	G-CAP-0-P	TPA-B0	RS	LS	MAL	CPA	MSEAL	RSEAL	72	71	70	69	-	-	-	-	-	-	62	61	60	59	-	57	56	-	54	53			
											52	51	50	49	48	47	-	-	44	-	42	41	40	39	-	37	36	35	-	33			
															-	31	-	-	-	-	26	25	24	23	-	21	20	19	18	-			
															-	15	14	13	12	11	-	9	8	7	6	5	4	3	2	1			
MX123 CONN ASSY 73 CKT GRY OPT0 KEY B/72	345667183	C-HSG-B0	G-CAP-0-P	TPA-B0	RS	LS	MAL	CPA	MSEAL	RSEAL	-	-	-	-	-	-	-	-	-	-	-	-	-	-	-	-	-	-	-				
											-	-	-	-	-	-	-	-	-	-	-	-	-	-	-	-	-	-	-	-			
															-	-	-	-	-	-	-	-	-	23	-	-	-	-	-	-			
															-	-	-	-	-	-	-	-	-	-	-	-	-	-	-	-			
MX123 CONN ASSY 73 CKT BLK OPT0 KEY A/41	345667193	C-HSG-A0	G-CAP-0-P	TPA-A0	RS	LS	MAL	CPA	MSEAL	RSEAL	-	71	-	-	68	67	66	65	64	-	-	-	-	59	-	-	-	-	-				
											-	-	50	-	48	47	46	45	-	-	-	-	40	39	38	-	-	35	-	33			
															-	31	30	-	-	-	-	25	24	23	22	21	20	-	-	-			
															-	-	14	-	-	-	-	9	8	7	6	5	4	-	-	-			
MX123 CONN ASSY 73 CKT GRY OPT0 KEY B/25	345667203	C-HSG-B0	G-CAP-0-P	TPA-B0	RS	LS	MAL	CPA	MSEAL	RSEAL	-	-	-	-	-	-	-	-	-	-	-	61	-	-	58	57	56	-	-	-			
											-	51	50	-	-	47	46	45	-	-	-	41	40	-	38	37	36	-	-	-			
															-	31	30	-	28	-	26	25	-	-	22	21	-	-	-	-			
															-	15	14	-	-	-	10	-	-	-	-	-	-	-	-	-			
MX123 CONN ASSY 73 CKT BLK OPT0 KEY A/30	345667213	C-HSG-A0	G-CAP-0-P	TPA-A0	RS	LS	MAL	CPA	MSEAL	RSEAL	72	71	-	-	68	67	66	65	64	-	62	61	60	59	-	57	-	55	-	53			
											-	-	50	-	48	-	46	45	-	-	-	-	40	-	38	37	-	35	-	33			
															-	31	30	29	-	27	-	25	24	23	22	21	20	-	-	-			
															-	15	14	13	-	11	-	9	8	7	6	5	4	-	-	-			
MX123 CONN ASSY 73 CKT BLU OPT0 KEY C/41	345667223	C-HSG-C0	G-CAP-0-P	TPA-C0	RS	LS	MAL	CPA	MSEAL	RSEAL	-	71	-	69	-	67	-	65	64	-	-	61	60	-	58	-	56	55	54	-			
											-	-	50	49	-	-	-	45	-	43	-	41	-	-	38	-	-	35	-	-			
															-	31	-	29	28	27	-	-	-	23	-	-	-	19	18	17			
															16	-	-	-	12	11	-	-	-	7	-	-	-	3	-	1			
MX123 CONN ASSY 73 CKT BLK OPT9 KEY A/29	345667233	C-HSG-A9	G-CAP-9-P	TPA-A9	RS	LS	MAL	CPA	MSEAL	RSEAL	-	71	70	69	68	67	66	65	64	63	-	-	60	59	58	-	-	-	-	53			
											-	-	50	49	48	47	-	-	44	-	42	41	-	39	38	-	36	-	-	33			
															-	31	-	-	28	27	26	-	24	23	22	21	-	19	18	17			
															-	-	14	-	12	-	-	-	8	7	6	5	-	3	2	1			
MX123 CONN ASSY 73 CKT BLK OPT9 KEY A/33	345667243	C-HSG-A9	G-CAP-9-P	TPA-A9	RS	LS	MAL	CPA	MSEAL	RSEAL	-	71	70	69	68	67	66	65	64	63	-	-	60	59	-	-	-	-	53				
											-	-	50	49	-	47	-	-	44	-	42	-	-	39	38	-	36	-	-	33			
															-	31	-	-	28	27	26	-	24	23	22	21	-	19	18	17			
															-	-	14	-	12	-	-	-	8	7	6	5	-	-	2	1			



ASSEMBLY DESCRIPTION	ASSEMBLY PART NUMBER	CONNECTOR HOUSING	GROMMET CAP	TPA	RIGHT SLIDE	LEFT SLIDE	MATE ASSIST LEVER	CPA	MAT SEAL	RING SEAL	BLOCKED TERMINALS																				STATUS	COMMENTS	INTEGRAL COMPONENTS SOLD SEPARATELY
											CAVITY WITH A NUMBER INDICATES BLOCKED TERMINAL POSITION																						DRESS COVER
											CAVITY WITHOUT A NUMBER INDICATES OPEN TERMINAL POSITION																						
MX123 CONN ASSY 73 CKT GRY OPT0 KEY B/19	345667253	C-HSG-B0	G-CAP-0-P	TPA-B0	RS	LS	MAL	CPA	MSEAL	RSEAL	-	71	70	69	68	67	66	65	64	63	-	-	60	59	58	57	56	55	54	53	SALEABLE		345650003
											-	51	50	49	-	-	-	45	-	-	42	-	-	39	38	37	36	35	34	33			
															32	31	-	29	28	27	26	25	24	23	22	21	-	-	-	17			
MX123 CONN ASSY 73 CKT BLU OPT0 KEY C/34	345667263	C-HSG-C0	G-CAP-0-P	TPA-C0	RS	LS	MAL	CPA	MSEAL	RSEAL	72	71	70	-	68	-	-	65	-	63	-	61	-	59	58	-	56	55	-	53	SALEABLE		345650003
											-	-	-	49	-	47	-	-	-	43	-	41	40	39	38	-	36	35	-	-			
															32	31	30	29	-	-	-	25	24	23	22	21	20	19	-	17			
MX123 CONN ASSY 73 CKT BLU OPT0 KEY C/39	345667273	C-HSG-C0	G-CAP-0-P	TPA-C0	RS	LS	MAL	CPA	MSEAL	RSEAL	72	71	70	-	68	-	-	65	-	63	-	61	-	59	58	-	56	-	-	53	SALEABLE		345650003
											-	-	-	49	-	47	-	-	-	43	-	41	40	39	38	-	36	-	-	-			
															32	31	30	29	-	-	-	25	24	23	22	21	20	-	-	-			
MX123 CONN ASSY 73 CKT BLU OPT0 KEY C/35	345667283	C-HSG-C0	G-CAP-0-P	TPA-C0	RS	LS	MAL	CPA	MSEAL	RSEAL	72	71	70	-	68	-	-	65	-	63	62	-	-	59	58	-	56	55	-	53	SALEABLE		345650003
											-	-	-	-	-	47	-	-	-	43	42	-	40	39	38	-	36	35	-	-			
															32	31	30	29	-	-	26	-	24	23	22	21	20	19	-	17			
MX123 CONN ASSY 73 CKT BLK OPT9 KEY A/49	345667293	C-HSG-A9	G-CAP-9-P	TPA-A9	RS	LS	MAL	CPA	MSEAL	RSEAL	-	-	-	-	-	-	-	-	-	-	62	61	60	-	58	57	56	55	54	-	SALEABLE		345650003
											-	-	-	-	-	-	-	-	-	-	42	41	40	-	38	37	36	35	-	-			
															-	-	-	-	-	-	-	-	-	-	22	21	20	19	18	-			
MX123 CONN ASSY 73 CKT GRY OPT0 KEY B/49	345667303	C-HSG-B0	G-CAP-0-P	TPA-B0	RS	LS	MAL	CPA	MSEAL	RSEAL	72	71	70	-	67	-	65	64	63	62	61	60	-	58	57	56	-	54	-	SALEABLE		345650003	
											52	51	50	-	47	-	45	-	43	42	41	40	-	38	-	36	-	34	-				
															32	31	30	-	-	27	26	25	24	-	22	-	20	19	-				-
MX123 CONN ASSY 73 CKT GRY OPT0 KEY B/22	345667313	C-HSG-B0	G-CAP-0-P	TPA-B0	RS	LS	MAL	CPA	MSEAL	RSEAL	-	71	70	69	68	-	66	65	64	63	-	-	60	59	58	57	56	-	54	53	SALEABLE		345650003
											-	51	50	49	-	-	-	45	44	-	42	41	-	39	38	37	36	35	34	33			
															32	31	-	29	28	27	26	25	24	23	-	-	-	-	-	17			
MX123 CONN ASSY 73 CKT GRY OPT9 KEY B/66	345667333	C-HSG-B9	G-CAP-9-P	TPA-B9	RS	LS	MAL	CPA	MSEAL	RSEAL	-	-	-	-	-	-	-	-	-	-	-	-	-	58	-	-	-	54	53	SALEABLE		345650003	
											-	-	-	-	-	-	-	-	-	-	42	-	-	-	-	-	-	-	-				-
															-	-	-	-	-	27	-	25	-	-	-	-	-	-	-				-
MX123 CONN ASSY 73 CKT GRY OPT9 KEY B/33	345667343	C-HSG-B9	G-CAP-9-P	TPA-B9	RS	LS	MAL	CPA	MSEAL	RSEAL	72	71	70	69	-	-	66	65	-	-	62	61	60	-	-	57	56	-	-	53	SALEABLE		345650003
											52	51	50	49	48	47	-	-	-	-	42	41	40	-	-	37	36	-	34	33			
															-	31	-	-	-	-	26	25	24	-	-	21	20	-	18	-			
MX123 CONN ASSY 73 CKT BLU OPT9 KEY C/40	345667353	C-HSG-C9	G-CAP-9-P	TPA-C9	RS	LS	MAL	CPA	MSEAL	RSEAL	72	71	70	-	68	-	-	65	-	63	-	61	-	59	58	-	56	-	-	53	SALEABLE		345650003
											-	-	-	49	-	-	-	-	-	43	-	41	40	39	38	-	36	-	-	-			
															-	31	30	29	-	-	-	25	24	23	22	21	20	-	-	-			
MX123 CONN ASSY 73 CKT GRY OPT0 KEY B/24	345667363	C-HSG-B0	G-CAP-0-P	TPA-B0	RS	LS	MAL	CPA	MSEAL	RSEAL	-	71	-	69	-	67	66	65	64	63	-	-	-	-	58	57	56	-	54	53	SALEABLE		345650003
											-	51	50	49	48	47	-	45	-	-	42	-	-	39	38	37	36	35	34	33			
															32	31	30	29	28	27	26	25	24	23	22	21	-	-	-	-			
MX123 CONN ASSY 73 CKT BLK OPT0 KEY A/52	345667373	C-HSG-A0	G-CAP-0-P	TPA-A0	RS	LS	MAL	CPA	MSEAL	RSEAL	-	-	-	-	-	67	-	-	-	63	62	-	-	59	58	-	-	55	-	-	SALEABLE		345650003
											-	-	-	-	-	47	-	-	-	-	41	-	-	-	-	-	35	-	-				
															32	-	-	-	-	27	-	-	24	-	-	-	-	19	18	17			

ASSEMBLY DESCRIPTION	ASSEMBLY PART NUMBER	CONNECTOR HOUSING	GROMMET CAP	TPA	RIGHT SLIDE	LEFT SLIDE	MATE ASSIST LEVER	CPA	MAT SEAL	RING SEAL	BLOCKED TERMINALS																				STATUS	COMMENTS	INTEGRAL COMPONENTS SOLD SEPARATELY
											CAVITY WITH A NUMBER INDICATES BLOCKED TERMINAL POSITION																						DRESS COVER
											CAVITY WITHOUT A NUMBER INDICATES OPEN TERMINAL POSITION																						
MX123 CONN ASSY 73 CKT BLU OPT0 KEY C/38	345667383	C-HSG-C0	G-CAP-0-P	TPA-C0	RS	LS	MAL	CPA	MSEAL	RSEAL	72	-	-	69	68	-	-	-	-	63	62	-	-	59	58	-	56	55	-	53	SALEABLE		345650003
											-	-	-	-	-	-	46	-	-	43	42	-	40	39	38	-	36	35	-	-			
															-	31	30	29	-	-	26	-	24	23	22	21	20	19	18	-			
MX123 CONN ASSY 73 CKT GRY OPT0 KEY B/19	345667393	C-HSG-B0	G-CAP-0-P	TPA-B0	RS	LS	MAL	CPA	MSEAL	RSEAL	-	71	70	69	68	67	66	65	64	63	-	-	60	59	58	57	56	-	54	53	SALEABLE		345650003
											-	51	50	49	-	-	-	45	-	-	42	41	-	39	38	37	36	35	34	33			
															32	31	30	29	28	27	26	25	24	23	22	21	-	-	-	17			
MX123 CONN ASSY 73 CKT GRY OPT0 KEY B/52	345667403	C-HSG-B0	G-CAP-0-P	TPA-B0	RS	LS	MAL	CPA	MSEAL	RSEAL	72	71	70	69	68	67	66	65	64	63	62	61	60	-	58	-	56	-	54	-	SALEABLE		345650003
											52	51	-	-	-	47	-	45	44	43	42	41	40	-	38	-	36	-	34	-			
															32	31	30	-	28	27	26	25	24	-	22	-	20	19	18	17			
MX123 CONN ASSY 73 CKT BLK OPT0 KEY A/53	345667413	C-HSG-A0	G-CAP-0-P	TPA-A0	RS	LS	MAL	CPA	MSEAL	RSEAL	-	-	-	-	-	67	-	-	-	-	62	-	-	59	58	-	-	55	-	-	SALEABLE		345650003
											52	-	-	-	-	47	-	-	-	-	-	41	-	-	-	-	35	-	-				
															-	-	-	-	-	27	-	-	24	-	-	-	19	18	17				
MX123 CONN ASSY 73 CKT BLU OPT0 KEY C/38	345667423	C-HSG-C0	G-CAP-0-P	TPA-C0	RS	LS	MAL	CPA	MSEAL	RSEAL	72	71	-	-	68	-	66	65	-	63	62	-	-	59	58	-	56	55	-	53	SALEABLE		345650003
											-	-	-	-	-	-	-	-	-	43	42	-	40	39	38	-	36	35	-	-			
															-	31	30	29	-	-	26	-	24	23	22	21	20	19	-	-			
MX123 CONN ASSY 73 CKT GRY OPT0 KEY B/31	345667433	C-HSG-B0	G-CAP-0-P	TPA-B0	RS	LS	MAL	CPA	MSEAL	RSEAL	-	71	70	69	-	67	66	65	64	63	-	-	-	-	58	57	56	-	54	53	SALEABLE		345650003
											-	51	50	49	-	-	-	45	-	-	42	-	-	39	-	-	-	-	34	33			
															32	31	-	29	28	27	26	25	24	23	22	21	-	-	-	-			
MX123 CONN ASSY 73 CKT BLK OPT0 KEY A/50	345667443	C-HSG-A0	G-CAP-0-P	TPA-A0	RS	LS	MAL	CPA	MSEAL	RSEAL	-	-	-	-	-	67	-	-	-	-	62	61	-	59	58	-	-	55	-	53	SALEABLE		345650003
											-	-	-	-	-	47	-	-	-	-	-	41	-	-	-	-	35	-	33				
															32	-	-	-	-	27	-	-	24	-	-	-	19	18	17				
MX123 CONN ASSY 73 CKT BLU OPT0 KEY C/41	345667453	C-HSG-C0	G-CAP-0-P	TPA-C0	RS	LS	MAL	CPA	MSEAL	RSEAL	72	-	-	69	68	-	-	-	-	63	62	-	-	59	-	-	56	55	-	53	SALEABLE		345650003
											-	-	-	-	-	-	46	-	-	43	42	-	40	39	-	-	36	35	-	-			
															-	31	30	29	-	-	26	-	24	23	22	21	20	19	-	-			
MX123 CONN ASSY 73 CKT GRY OPT0 KEY B/25	345667463	C-HSG-B0	G-CAP-0-P	TPA-B0	RS	LS	MAL	CPA	MSEAL	RSEAL	-	71	70	69	-	67	66	65	64	63	-	-	60	59	58	57	56	-	54	53	SALEABLE		345650003
											-	51	50	49	-	-	-	45	44	-	42	41	-	39	38	37	36	35	34	33			
															32	31	-	29	28	27	26	25	24	23	-	-	-	-	-	17			
MX123 CONN ASSY 73 CKT GRY OPT0 KEY B/27	345667473	C-HSG-B0	G-CAP-0-P	TPA-B0	RS	LS	MAL	CPA	MSEAL	RSEAL	-	71	70	69	-	-	66	65	64	-	-	-	60	59	58	57	56	-	54	53	SALEABLE		345650003
											-	51	50	49	-	-	-	45	44	-	42	41	-	39	38	37	36	35	34	33			
															32	31	-	29	28	-	26	25	24	23	-	-	-	-	-	17			
MX123 CONN ASSY 73 CKT GRY OPT0 KEY B/26	345667483	C-HSG-B0	G-CAP-0-P	TPA-B0	RS	LS	MAL	CPA	MSEAL	RSEAL	-	71	70	69	-	67	66	65	64	63	-	-	60	59	58	57	56	-	54	53	SALEABLE		345650003
											-	51	50	49	-	-	-	45	44	-	42	41	-	39	38	37	36	35	34	33			
															32	31	-	29	28	27	26	25	24	23	-	-	-	-	-	17			
MX123 CONN ASSY 73 CKT BLU OPT0 KEY C/39	345667493	C-HSG-C0	G-CAP-0-P	TPA-C0	RS	LS	MAL	CPA	MSEAL	RSEAL	72	71	70	-	68	-	66	65	-	63	-	61	-	59	58	-	56	-	-	53	SALEABLE		345650003
											-	-	-	49	-	-	-	-	-	43	-	41	40	39	38	-	36	-	-	-			
															-	31	30	29	-	-	-	-	25	24	23	22	21	20	-	-			



ASSEMBLY DESCRIPTION	ASSEMBLY PART NUMBER	CONNECTOR HOUSING	GROMMET CAP	TPA	RIGHT SLIDE	LEFT SLIDE	MATE ASSIST LEVER	CPA	MAT SEAL	RING SEAL	BLOCKED TERMINALS																		STATUS	COMMENTS	INTEGRAL COMPONENTS										
											CAVITY WITH A NUMBER INDICATES BLOCKED TERMINAL POSITION CAVITY WITHOUT A NUMBER INDICATES OPEN TERMINAL POSITION																				DRESS COVER										
MX123 CONN ASSY 73 CKT BLK OPT0 KEY A/8	345667503	C-HSG-A0	G-CAP-0-P	TPA-A0	RS	LS	MAL	CPA	MSEAL	RSEAL	-	-	-	-	-	-	-	-	-	65	-	-	-	61	-	-	-	-	-	-	-	-									
											-	-	-	-	-	-	-	-	45	-	-	-	41	-	-	-	-	-	-	-	-	-	-	-	-	-	-	-	-	-	-
													-	-	-	-	-	-	-	-	26	25	-	-	-	-	-	-	-	-	-	-	-	-	-	-	-	-	-	-	-
MX123 CONN ASSY 73 CKT BLK OPT9 KEY A/50	345667513	C-HSG-A9	G-CAP-9-P	TPA-A9	RS	LS	MAL	CPA	MSEAL	RSEAL	-	-	-	-	-	67	-	-	-	-	62	-	-	59	58	-	-	55	-	-											
											-	-	-	-	-	-	47	-	-	-	42	41	-	-	-	-	35	-	-												
													-	-	-	-	-	-	27	26	25	24	-	-	-	-	19	18	17												
MX123 CONN ASSY 73 CKT BLK OPT0 KEY A/37	345667523	C-HSG-A0	G-CAP-0-P	TPA-A0	RS	LS	MAL	CPA	MSEAL	RSEAL	-	71	70	69	68	67	66	65	-	63	-	-	60	-	-	-	-	-	53												
											-	-	50	49	-	-	-	-	44	-	42	-	-	39	38	-	36	35	34	-											
													-	-	-	31	-	-	28	-	-	-	23	22	21	-	19	18	17												
MX123 CONN ASSY 73 CKT BLK OPT0 KEY A/1	345667543	C-HSG-A0	G-CAP-0-P	TPA-A0	RS	LS	MAL	CPA	MSEAL	RSEAL	72	71	70	69	68	67	66	65	64	63	62	61	60	59	58	57	56	55	54	53											
											52	51	50	49	48	47	46	45	44	43	42	41	40	39	38	37	36	35	34	33											
													-	-	32	31	30	29	28	27	26	25	24	23	22	21	20	19	18	17											
MX123 CONN ASSY 73 CKT GRY OPT0 KEY B/1	345667553	C-HSG-B0	G-CAP-0-P	TPA-B0	RS	LS	MAL	CPA	MSEAL	RSEAL	72	71	70	69	68	67	66	65	64	63	62	61	60	59	58	57	56	55	54	53											
											52	51	50	49	48	47	46	45	44	43	42	41	40	39	38	37	36	35	34	33											
													-	-	32	31	30	29	28	27	26	25	24	23	22	21	20	19	18	17											
MX123 CONN ASSY 73 CKT BLU OPT0 KEY C/1	345667563	C-HSG-C0	G-CAP-0-P	TPA-C0	RS	LS	MAL	CPA	MSEAL	RSEAL	72	71	70	69	68	67	66	65	64	63	62	61	60	59	58	57	56	55	54	53											
											52	51	50	49	48	47	46	45	44	43	42	41	40	39	38	37	36	35	34	33											
													-	-	32	31	30	29	28	27	26	25	24	23	22	21	20	19	18	17											
MX123 CONN ASSY 73 CKT GRY OPT0 KEY B/27	345667573	C-HSG-B0	G-CAP-0-P	TPA-B0	RS	LS	MAL	CPA	MSEAL	RSEAL	-	71	-	69	-	67	66	65	64	63	-	-	60	59	58	57	56	-	54	53											
											-	51	50	49	-	-	-	45	44	-	42	41	-	39	38	37	36	35	34	33											
													-	-	-	32	31	-	29	28	27	26	25	24	23	-	-	-	-	-	-										
MX123 CONN ASSY 73 CKT BLK OPT9 KEY A/37	345667583	C-HSG-A9	G-CAP-9-P	TPA-A9	RS	LS	MAL	CPA	MSEAL	RSEAL	-	71	-	69	68	-	66	65	64	-	62	61	-	-	-	-	56	55	54	53											
											-	51	50	49	-	-	-	45	44	-	41	-	-	-	-	36	35	34	33												
													-	-	-	-	-	-	-	-	26	25	24	23	-	-	20	19	18	17											
MX123 CONN ASSY 73 CKT BLK OPT9 KEY A/52	345667593	C-HSG-A9	G-CAP-9-P	TPA-A9	RS	LS	MAL	CPA	MSEAL	RSEAL	-	71	-	-	-	67	66	65	-	63	-	-	60	-	-	-	-	-	-												
											-	-	-	49	-	-	-	-	44	-	42	-	-	39	38	-	36	-	34	-											
													-	-	-	31	-	-	28	-	-	-	23	22	21	-	-	-	-	17											
MX123 CONN ASSY 73 CKT GRY OPT0 KEY B/48	345667603	C-HSG-B0	G-CAP-0-P	TPA-B0	RS	LS	MAL	CPA	MSEAL	RSEAL	72	71	70	-	-	67	-	65	64	63	62	61	60	-	58	-	56	-	54	-											
											52	51	50	-	-	47	-	45	-	43	42	41	40	-	38	-	36	-	34	-											
													-	-	32	31	30	-	-	27	26	25	24	-	22	-	20	19	-	-											
MX123 CONN ASSY 73 CKT BLK OPT9 KEY A/64	345667633	C-HSG-A9	G-CAP-9-P	TPA-A9	RS	LS	MAL	CPA	MSEAL	RSEAL	-	-	-	-	-	-	-	-	-	-	62	61	-	-	-	-	-	-	-	53											
											-	-	-	-	-	-	-	-	-	-	-	-	-	-	-	-	-	-	-	33											
													-	-	-	-	-	-	-	-	-	-	24	-	-	-	-	19	-	-											
MX123 CONN ASSY 73 CKT GRY OPT9 KEY B/21	345667643	C-HSG-B9	G-CAP-9-P	TPA-B9	RS	LS	MAL	CPA	MSEAL	RSEAL	72	71	70	69	-	-	66	65	-	63	62	61	60	-	-	57	56	55	54	53											
											52	51	50	49	48	47	-	-	44	43	42	41	40	-	-	37	36	35	34	33											
													-	-	32	31	-	-	-	-	26	25	24	-	-	21	20	19	18	-											

ASSEMBLY DESCRIPTION	ASSEMBLY PART NUMBER	CONNECTOR HOUSING	GROMMET CAP	TPA	RIGHT SLIDE	LEFT SLIDE	MATE ASSIST LEVER	CPA	MAT SEAL	RING SEAL	BLOCKED TERMINALS																				STATUS	COMMENTS	INTEGRAL COMPONENTS SOLD SEPARATELY	
											CAVITY WITH A NUMBER INDICATES BLOCKED TERMINAL POSITION																						DRESS COVER	
											CAVITY WITHOUT A NUMBER INDICATES OPEN TERMINAL POSITION																							
MX123 CONN ASSY 73 CKT GRY OPT0 KEY B/24	345667653	C-HSG-B0	G-CAP-0-P	TPA-B0	RS	LS	MAL	CPA	MSEAL	RSEAL	-	71	-	69	68	67	66	65	64	63	-	-	60	59	58	57	56	-	54	53	SALEABLE		345650003	
											-	51	50	49	-	-	-	45	44	-	42	41	-	39	38	37	36	35	34	33				
															32	31	-	29	28	27	26	25	24	23	-	-	-	-	-	-				17
															-	-	-	13	12	11	10	9	8	7	-	5	-	3	-	1				
MX123 CONN ASSY 73 CKT GRY OPT0 KEY B/36	345667663	C-HSG-B0	G-CAP-0-P	TPA-B0	RS	LS	MAL	CPA	MSEAL	RSEAL	-	71	-	69	-	67	66	65	64	63	-	-	-	-	58	57	56	-	54	53	SALEABLE		345650003	
											-	51	50	49	-	-	-	45	-	-	42	-	-	39	-	-	-	-	-	34				-
															32	31	-	29	28	27	26	25	24	23	-	-	-	-	-	-				-
															-	-	-	13	12	11	10	9	-	7	-	5	-	3	2	-				
MX123 CONN ASSY 73 CKT BLU OPT0 KEY C/46	345667673	C-HSG-C0	G-CAP-0-P	TPA-C0	RS	LS	MAL	CPA	MSEAL	RSEAL	72	-	-	-	68	-	-	-	-	63	62	-	-	-	-	56	55	-	53	SALEABLE		345650003		
											-	-	-	-	-	-	-	-	-	43	42	-	40	-	-	-	36	35	-				-	
															-	31	30	29	-	-	26	-	24	-	22	21	20	19	-				-	
															-	-	-	-	-	-	-	-	-	-	6	5	4	3	2				1	
MX123 CONN ASSY 73 CKT GRY OPT9 KEY B/67	345667683	C-HSG-B9	G-CAP-9-P	TPA-B9	RS	LS	MAL	CPA	MSEAL	RSEAL	-	-	-	-	-	-	-	-	-	-	-	-	-	-	58	-	-	-	54	53	SALEABLE		345650003	
											-	-	-	-	-	-	-	-	-	-	42	-	-	-	-	-	-	-	-	-				-
															-	-	-	-	-	27	-	-	-	-	-	-	-	-	-	-				-
															-	-	-	-	-	-	10	-	-	-	-	-	-	-	-	-				-
MX123 CONN ASSY 73 CKT BLK OPT9 KEY A/31	345667693	C-HSG-A9	G-CAP-9-P	TPA-A9	RS	LS	MAL	CPA	MSEAL	RSEAL	-	71	70	69	68	67	66	65	-	63	-	-	60	59	58	-	-	-	-	53	SALEABLE		345650003	
											-	-	50	49	48	47	-	-	44	-	42	41	-	39	38	-	36	-	-	33				
															-	31	-	-	28	-	26	-	24	23	22	21	-	19	18	17				
															-	-	14	-	12	-	-	-	8	7	6	5	-	3	2	1				
MX123 CONN ASSY 73 CKT BLK OPT0 KEY A/26	345667703	C-HSG-A0	G-CAP-0-P	TPA-A0	RS	LS	MAL	CPA	MSEAL	RSEAL	-	-	-	-	-	-	65	-	-	-	61	-	-	58	57	56	-	-	-	SALEABLE		345650003		
											-	51	50	-	-	47	46	45	-	-	-	41	-	-	38	37	36	-	-				-	
															-	31	30	-	28	-	26	25	-	-	22	21	20	-	-				-	
															-	15	14	-	-	-	10	-	-	-	-	-	-	-	-				-	-
MX123 CONN ASSY 73 CKT BLK OPT9 KEY A/35	345667713	C-HSG-A9	G-CAP-9-P	TPA-A9	RS	LS	MAL	CPA	MSEAL	RSEAL	-	71	70	69	68	67	66	65	-	63	-	-	60	59	-	-	-	-	53	SALEABLE		345650003		
											-	-	50	49	-	47	-	-	44	-	42	-	-	39	38	-	36	-	-				33	
															-	31	-	-	28	-	26	-	24	23	22	21	-	19	18				17	
															-	-	14	-	12	-	-	-	8	7	6	5	-	-	2				1	
MX123 CONN ASSY 73 CKT BLK OPT9 KEY A/30	345667723	C-HSG-A9	G-CAP-9-P	TPA-A9	RS	LS	MAL	CPA	MSEAL	RSEAL	-	71	70	69	68	67	66	65	-	63	-	-	60	59	58	-	-	-	-	SALEABLE		345650003		
											-	-	50	49	48	47	-	-	44	-	42	41	-	39	38	-	36	35	34				33	
															-	31	-	-	28	-	26	-	24	23	22	21	-	19	18				17	
															-	-	14	-	12	-	-	-	8	7	6	5	-	3	2				1	
MX123 CONN ASSY 73 CKT BLK OPT9 KEY A/34	345667733	C-HSG-A9	G-CAP-9-P	TPA-A9	RS	LS	MAL	CPA	MSEAL	RSEAL	-	71	70	69	68	67	66	65	-	63	-	-	60	59	-	-	-	-	-	SALEABLE		345650003		
											-	-	50	49	-	47	-	-	44	-	42	-	-	39	38	-	36	35	34				33	
															-	31	-	-	28	-	26	-	24	23	22	21	-	19	18				17	
															-	-	14	-	12	-	-	-	8	7	6	5	-	-	2				1	
MX123 CONN ASSY 73 CKT BLU OPT0 KEY C/45	345667743	C-HSG-C0	G-CAP-0-P	TPA-C0	RS	LS	MAL	CPA	MSEAL	RSEAL	-	71	-	69	-	-	-	65	64	-	-	61	60	-	58	-	56	55	54	-	SALEABLE		345650003	
											-	-	50	-	-	-	-	45	-	43	42	-	-	-	38	-	-	-	-	-				
															-	31	-	29	28	-	-	-	-	23	-	-	-	19	18	17				
															16	-	-	-	12	11	-	-	-	7	-	-	-	3	-	1				
MX123 CONN ASSY 73 CKT BLK OPT0 KEY A/51	345667753	C-HSG-A0	G-CAP-0-P	TPA-A0	RS	LS	MAL	CPA	MSEAL	RSEAL	72	-	-	-	-	-	66	65	-	-	-	-	-	-	-	-	-	-	SALEABLE		345650003			
											-	-	-	-	48	47	46	-	-	-	-	40	-	-	-	-	35	-				33		
															-	-	30	-	-	-	-	24	23	22	21	20	-	-				17		
															-	-	-	-	-	-	-	-	7	6	5	4	-	2				1		
MX123 CONN ASSY 73 CKT NAT OPT0 KEY F/1	345667763	C-HSG-F0	G-CAP-0-P	TPA-F0	RS	LS	MAL	CPA	MSEAL	RSEAL	72	71	70	69	68	67	66	65	64	63	62	61	60	59	58	57	56	55	54	53	SALEABLE		345650003	
											52	51	50	49	48	47	46	45	44	43	42	41	40	39	38	37	36	35	34	33				
															32	31	30	29	28	27	26	25	24	23	22	21	20	19	18	17				
															16	15	14	13	12	11	10	9	8	7	6	5	4	3	2	1				

ASSEMBLY DESCRIPTION	ASSEMBLY PART NUMBER	CONNECTOR HOUSING	GROMMET CAP	TPA	RIGHT SLIDE	LEFT SLIDE	MATE ASSIST LEVER	CPA	MAT SEAL	RING SEAL	BLOCKED TERMINALS																				STATUS	COMMENTS	INTEGRAL COMPONENTS SOLD SEPARATELY
											CAVITY WITH A NUMBER INDICATES BLOCKED TERMINAL POSITION																						DRESS COVER
											CAVITY WITHOUT A NUMBER INDICATES OPEN TERMINAL POSITION																						
MX123 CONN ASSY 73 CKT GRY OPT0 KEY B/25	345667773	C-HSG-B0	G-CAP-0-P	TPA-B0	RS	LS	MAL	CPA	MSEAL	RSEAL	-	71	-	69	68	-	66	65	64	-	-	-	-	-	58	57	56	55	54	53			
											-	51	50	49	48	47	-	45	44	-	42	-	-	39	38	37	36	35	34	33			
															32	31	30	29	28	-	26	25	24	23	-	-	-	-	-	-	17		
															-	15	-	13	12	-	10	9	8	7	-	5	-	3	2	1			
MX123 CONN ASSY 73 CKT BLK OPT0 KEY A/51	345667783	C-HSG-A0	G-CAP-0-P	TPA-A0	RS	LS	MAL	CPA	MSEAL	RSEAL	-	-	-	-	-	67	-	-	-	-	62	61	-	59	58	-	-	55	-	53			
											-	-	-	-	-	47	-	-	-	-	-	-	-	-	-	-	-	35	-	33			
															-	-	-	-	-	27	-	-	24	-	-	-	20	19	18	17			
															16	-	-	-	-	11	10	-	8	-	-	-	4	3	-	-			
MX123 CONN ASSY 73 CKT BLK OPT0 KEY A/40	345667793	C-HSG-A0	G-CAP-0-P	TPA-A0	RS	LS	MAL	CPA	MSEAL	RSEAL	-	71	-	69	68	-	-	-	64	-	62	61	-	-	-	-	-	54	53				
											-	-	50	-	-	-	-	-	44	-	-	41	-	-	-	-	-	-	34	33			
															32	31	30	29	-	-	26	25	24	-	-	-	20	19	-	-			
															16	15	14	13	-	-	10	-	8	7	6	5	4	3	-	-			
MX123 CONN ASSY 73 CKT BLK OPT0 KEY A/26	345667803	C-HSG-A0	G-CAP-0-P	TPA-A0	RS	LS	MAL	CPA	MSEAL	RSEAL	-	-	-	69	-	67	-	65	-	-	-	-	-	-	58	57	56	-	-	-			
											-	51	50	-	-	47	-	45	-	-	-	41	-	-	38	37	36	-	-	-			
															-	31	30	-	-	-	26	25	-	-	22	21	20	-	-	-			
															-	15	-	-	-	-	10	-	-	-	-	5	4	-	-	-			
MX123 CONN ASSY 73 CKT BLK OPT0 KEY A/50	345667813	C-HSG-A0	G-CAP-0-P	TPA-A0	RS	LS	MAL	CPA	MSEAL	RSEAL	72	71	-	-	-	-	66	65	64	-	-	-	-	-	-	-	-	-					
											-	-	-	-	48	47	46	45	-	-	-	-	-	-	-	-	35	-	33				
															-	31	30	-	-	-	-	24	23	22	-	20	-	-	17				
															-	-	-	-	-	-	-	-	-	7	6	-	4	-	2	1			
MX123 CONN ASSY 73 CKT GRY OPT0 KEY B/32	345667823	C-HSG-B0	G-CAP-0-P	TPA-B0	RS	LS	MAL	CPA	MSEAL	RSEAL	-	71	70	69	-	-	66	65	64	-	-	-	-	-	58	57	56	55	54	53			
											-	51	50	49	-	-	-	45	-	-	42	-	-	39	-	-	-	-	34	33			
															32	31	-	29	28	-	26	25	24	23	22	21	-	-	-	17			
															-	15	-	13	12	-	10	9	-	7	6	5	-	3	2	-			
MX123 CONN ASSY 73 CKT GRY OPT0 KEY B/64	345667833	C-HSG-B0	G-CAP-0-P	TPA-B0	RS	LS	MAL	CPA	MSEAL	RSEAL	-	-	-	-	-	-	-	-	-	-	62	-	-	-	58	-	-	-	54	53			
											-	-	-	-	-	-	-	-	-	-	42	-	-	-	-	-	-	-	-	-			
															-	-	-	-	-	27	-	-	-	-	-	-	-	-	-	-			
															-	-	-	-	-	11	10	9	-	-	-	-	-	-	-	-			
MX123 CONN ASSY 73 CKT BLU OPT9 KEY C/38	345667843	C-HSG-C9	G-CAP-9-P	TPA-C9	RS	LS	MAL	CPA	MSEAL	RSEAL	72	-	70	69	68	-	66	-	-	63	-	-	-	59	-	-	56	55	-	53			
											-	-	-	-	-	-	46	-	-	43	-	-	40	39	-	-	36	35	-	-			
															32	31	30	29	-	-	-	-	24	23	22	21	20	19	-	17			
															-	-	-	-	-	-	-	-	8	7	6	5	4	3	2	1			
MX123 CONN ASSY 73 CKT BLU OPT9 KEY C/41	345667853	C-HSG-C9	G-CAP-9-P	TPA-C9	RS	LS	MAL	CPA	MSEAL	RSEAL	-	-	-	-	68	-	-	65	-	63	62	61	60	59	58	57	56	55	-	53			
											-	-	-	-	48	-	-	45	-	43	42	41	40	-	-	37	36	35	34	33			
															32	31	-	-	-	-	-	-	-	-	-	-	20	19	18	-			
															-	-	-	-	-	-	-	-	-	-	-	-	4	3	2	1			
MX123 CONN ASSY 73 CKT BLU OPT9 KEY C/41	345667863	C-HSG-C9	G-CAP-9-P	TPA-C9	RS	LS	MAL	CPA	MSEAL	RSEAL	-	71	-	69	-	-	-	65	64	-	-	61	60	-	58	-	56	55	54	-			
											-	-	50	49	-	-	-	45	-	43	42	41	-	-	38	-	-	-	-	-			
															-	31	-	29	28	-	-	-	-	23	-	-	20	19	18	17			
															16	-	-	13	12	11	-	-	-	7	-	-	-	3	-	1			
MX123 CONN ASSY 73 CKT BLK OPT9 KEY A/29	345667873	C-HSG-A9	G-CAP-9-P	TPA-A9	RS	LS	MAL	CPA	MSEAL	RSEAL	72	-	70	-	68	67	66	-	-	63	62	-	-	59	-	57	-	-	-	53			
											52	51	-	49	48	47	46	-	44	-	-	41	40	39	-	37	36	-	34	33			
															32	-	30	-	-	27	26	25	24	-	22	21	20	-	-	-			
															-	15	14	13	-	-	10	9	8	7	6	5	4	-	2	-			
MX123 CONN ASSY 73 CKT BLK OPT9 KEY A/30	345667883	C-HSG-A9	G-CAP-9-P	TPA-A9	RS	LS	MAL	CPA	MSEAL	RSEAL	-	71	70	69	-	-	-	-	64	63	62	61	60	59	58	57	56	55	54	53			
											52	51	50	49	-	-	46	45	44	43	42	41	-	39	-	37	36	-	34	-			
															32	-	-	29	28	27	26	-	-	-	-	-	-	-	18	-			
															16	15	14	13	12	11	10	-	-	-	-	-	-	3	-	-			

ASSEMBLY DESCRIPTION	ASSEMBLY PART NUMBER	CONNECTOR HOUSING	GROMMET CAP	TPA	RIGHT SLIDE	LEFT SLIDE	MATE ASSIST LEVER	CPA	MAT SEAL	RING SEAL	BLOCKED TERMINALS																STATUS	COMMENTS	INTEGRAL COMPONENTS SOLD SEPARATELY		
											CAVITY WITH A NUMBER INDICATES BLOCKED TERMINAL POSITION																		DRESS COVER		
											CAVITY WITHOUT A NUMBER INDICATES OPEN TERMINAL POSITION																				
MX123 CONN ASSY 73 CKT BLK OPT9 KEY A/51	345667893	C-HSG-A9	G-CAP-9-P	TPA-A9	RS	LS	MAL	CPA	MSEAL	RSEAL	-	-	-	-	-	67	-	-	-	-	62	-	-	59	58	-	-	55	-	-	
											-	-	-	-	-	47	-	-	-	-	41	-	-	-	-	35	-	-			
											-	-	-	-	-	27	26	25	24	-	-	-	-	19	18	17					
											-	-	-	-	-	11	10	9	8	-	-	-	-	3	-	1					
MX123 CONN ASSY 73 CKT GRY OPT0 KEY B/39	345667903	C-HSG-B0	G-CAP-0-P	TPA-B0	RS	LS	MAL	CPA	MSEAL	RSEAL	72	71	70	69	68	67	66	65	-	63	62	-	60	-	58	-	56	-	54	-	
											52	51	50	49	48	47	46	45	44	43	-	41	40	-	38	37	36	-	34	-	
											-	-	-	-	32	31	30	29	28	27	26	25	24	-	22	21	-	-	18	17	
											-	-	-	-	16	-	14	13	12	11	10	9	8	7	6	5	-	-	-	-	
MX123 CONN ASSY 73 CKT BLU OPT0 KEY C/37	345667923	C-HSG-C0	G-CAP-0-P	TPA-C0	RS	LS	MAL	CPA	MSEAL	RSEAL	72	-	-	-	69	68	-	66	65	-	63	62	-	-	59	58	-	56	55	-	53
											-	-	-	-	-	-	46	-	-	43	42	-	40	39	38	-	36	35	-	-	
											-	-	-	-	-	31	30	29	-	-	26	-	24	23	22	21	20	19	-	-	
											-	-	-	-	-	-	-	-	-	-	-	-	-	-	6	5	4	3	2	1	
MX123 CONN ASSY 73 CKT BLK OPT0 KEY A/50	345667933	C-HSG-A0	G-CAP-0-P	TPA-A0	RS	LS	MAL	CPA	MSEAL	RSEAL	-	-	-	-	-	67	-	-	-	-	62	-	-	59	58	-	-	55	-	-	
											-	-	-	-	-	47	-	-	-	-	42	41	-	-	-	-	35	-	-		
											-	-	-	-	-	27	26	25	24	-	-	-	-	19	18	17					
											-	-	-	-	-	11	10	9	8	-	-	-	-	3	-	1					
MX123 CONN ASSY 73 CKT GRY OPT0 KEY B/32	345667943	C-HSG-B0	G-CAP-0-P	TPA-B0	RS	LS	MAL	CPA	MSEAL	RSEAL	-	71	70	69	68	67	66	65	64	63	-	-	-	-	58	57	56	-	54	53	
											-	51	50	49	-	-	-	45	44	-	42	-	-	39	-	-	-	-	34	33	
											-	-	-	-	32	-	-	29	28	27	26	25	24	23	-	-	-	-	-	-	
											-	-	-	-	13	12	11	10	9	8	7	-	5	-	3	2	-				
MX123 CONN ASSY 73 CKT GRY OPT0 KEY B/32	345667953	C-HSG-B0	G-CAP-0-P	TPA-B0	RS	LS	MAL	CPA	MSEAL	RSEAL	-	71	70	69	68	67	66	65	64	63	-	-	-	-	58	57	56	-	54	53	
											-	51	50	49	-	-	-	45	44	-	42	-	-	39	-	-	-	-	34	33	
											-	-	-	-	32	-	-	29	28	27	26	25	24	23	-	-	-	-	-	-	
											-	-	-	-	13	12	11	10	9	8	7	-	5	-	3	2	-				
MX123 CONN ASSY 73 CKT BLK OPT9 KEY A/54	345667963	C-HSG-A9	G-CAP-9-P	TPA-A9	RS	LS	MAL	CPA	MSEAL	RSEAL	-	-	-	-	-	67	-	-	-	-	62	-	-	59	58	-	-	55	-	-	
											-	-	-	-	-	47	-	-	-	-	41	-	-	-	-	35	-	-			
											-	-	-	-	-	27	-	-	24	-	-	-	-	19	18	17					
											-	-	-	-	-	11	10	-	8	-	-	-	-	3	-	1					
MX123 CONN ASSY 73 CKT GRY OPT9 KEY B/36	345667973	C-HSG-B9	G-CAP-9-P	TPA-B9	RS	LS	MAL	CPA	MSEAL	RSEAL	-	71	70	69	68	67	66	65	64	63	-	-	-	-	58	57	56	-	54	53	
											-	51	-	-	-	-	-	-	44	-	42	-	-	39	-	-	-	-	-	33	
											-	-	-	-	32	31	-	-	28	27	26	25	24	23	-	-	-	-	-	-	
											-	-	-	-	13	12	11	10	9	8	7	-	5	-	3	2	-				
MX123 CONN ASSY 73 CKT GRY OPT9 KEY B/32	345667983	C-HSG-B9	G-CAP-9-P	TPA-B9	RS	LS	MAL	CPA	MSEAL	RSEAL	-	71	70	69	68	67	66	65	64	63	-	-	-	-	58	57	56	-	54	53	
											-	51	-	-	-	-	-	-	44	-	42	-	-	39	38	37	36	35	-	-	
											-	-	-	-	32	31	-	-	28	27	26	25	24	23	-	-	-	-	-	-	
											-	-	-	-	13	12	11	10	9	8	7	-	5	-	3	2	1				
MX123 CONN ASSY 73 CKT BLU OPT9 KEY C/39	345667993	C-HSG-C9	G-CAP-9-P	TPA-C9	RS	LS	MAL	CPA	MSEAL	RSEAL	72	71	-	-	68	-	-	65	-	63	62	-	-	59	58	-	56	55	-	53	
											-	-	-	-	-	-	-	-	-	43	42	-	40	39	38	-	36	35	-	-	
											-	-	-	-	-	31	30	29	-	-	26	-	24	23	22	21	20	19	-	-	
											-	-	-	-	-	-	-	-	-	-	-	-	-	-	6	5	4	3	2	1	
MX123 CONN ASSY 73 CKT BLK OPT0 KEY A/33	345668003	C-HSG-A0	G-CAP-0-P	TPA-A0	RS	LS	MAL	CPA	MSEAL	RSEAL	72	71	70	-	-	67	66	-	-	-	62	-	-	-	-	57	-	55	54	53	
											-	51	-	-	-	-	46	45	44	43	42	-	40	39	-	-	-	35	-	-	
											-	-	-	-	-	-	-	-	-	-	26	25	-	-	22	21	-	-	-	-	
											-	-	-	-	15	14	-	-	-	-	-	-	8	7	6	5	4	3	2	-	
MX123 CONN ASSY 73 CKT BLU OPT9 KEY C/38	345668013	C-HSG-C9	G-CAP-9-P	TPA-C9	RS	LS	MAL	CPA	MSEAL	RSEAL	72	-	70	69	68	-	66	-	-	63	62	-	-	-	58	-	56	55	-	53	
											-	-	-	49	-	-	46	-	-	43	42	-	40	-	38	-	36	35	-	-	
											-	-	-	-	-	31	30	29	-	-	26	-	24	-	22	21	20	19	-	17	
											-	-	-	-	-	-	-	-	-	-	-	-	-	-	6	5	4	3	2	1	

ASSEMBLY DESCRIPTION	ASSEMBLY PART NUMBER	CONNECTOR HOUSING	GROMMET CAP	TPA	RIGHT SLIDE	LEFT SLIDE	MATE ASSIST LEVER	CPA	MAT SEAL	RING SEAL	BLOCKED TERMINALS																		STATUS	COMMENTS	INTEGRAL COMPONENTS SOLD SEPARATELY
											CAVITY WITH A NUMBER INDICATES BLOCKED TERMINAL POSITION																				DRESS COVER
											CAVITY WITHOUT A NUMBER INDICATES OPEN TERMINAL POSITION																				
MX123 CONN ASSY 73 CKT BLU OPT9 KEY C/35	345668023	C-HSG-C9	G-CAP-9-P	TPA-C9	RS	LS	MAL	CPA	MSEAL	RSEAL	-	71	70	-	-	67	66	65	64	-	-	61	60	-	58	57	-	-	54	-	
											52	51	50	49	48	47	-	45	44	-	-	41	-	-	38	37	-	-	34	33	
															32	-	-	-	28	27	-	25	-	-	-	-	-	-	-	18	17
															16	15	14	13	12	11	10	9	-	-	-	-	-	-	-	-	-
MX123 CONN ASSY 73 CKT GRY OPT9 KEY B/39	345668033	C-HSG-B9	G-CAP-9-P	TPA-B9	RS	LS	MAL	CPA	MSEAL	RSEAL	72	-	-	-	68	-	-	-	-	-	62	61	60	59	-	-	-	55	-	53	
											52	-	-	-	48	47	46	-	44	43	-	41	40	-	38	37	36	35	-	-	
															-	-	30	-	-	-	-	-	-	-	22	21	20	19	18	17	
															16	15	14	-	-	-	-	-	8	-	6	-	4	-	-	-	1
MX123 CONN ASSY 73 CKT BLK OPT9 KEY A/28	345668043	C-HSG-A9	G-CAP-9-P	TPA-A9	RS	LS	MAL	CPA	MSEAL	RSEAL	72	71	70	69	68	-	66	65	64	63	-	-	60	-	-	57	56	-	54	-	
											52	51	50	49	48	-	46	45	44	43	-	41	40	39	38	37	36	-	34	-	
															32	31	30	29	28	-	-	-	-	23	22	21	-	-	-	-	
															-	15	14	13	12	-	-	-	-	7	6	5	-	-	-	2	-
MX123 CONN ASSY 73 CKT BLK OPT9 KEY A/27	345668053	C-HSG-A9	G-CAP-9-P	TPA-A9	RS	LS	MAL	CPA	MSEAL	RSEAL	-	71	70	69	-	-	-	65	64	63	62	61	60	-	58	57	56	55	54	53	
											52	51	50	49	48	47	-	45	44	43	42	41	-	39	-	37	36	-	34	-	
															32	-	30	29	28	27	26	-	24	-	-	-	-	-	-	18	-
															16	15	14	13	12	11	10	-	-	-	-	-	-	-	3	-	-
MX123 CONN ASSY 73 CKT BLU OPT9 KEY C/30	345668063	C-HSG-C9	G-CAP-9-P	TPA-C9	RS	LS	MAL	CPA	MSEAL	RSEAL	72	-	70	-	68	67	66	-	-	63	62	-	-	59	-	57	-	-	-	53	
											52	51	-	49	48	47	46	-	44	-	-	41	40	39	-	37	36	-	34	33	
															32	-	30	-	-	27	26	25	24	-	22	21	20	-	-	-	
															-	15	14	13	-	-	10	9	8	-	6	5	4	-	2	-	
MX123 CONN ASSY 73 CKT GRY OPT9 KEY B/21	345668073	C-HSG-B9	G-CAP-9-P	TPA-B9	RS	LS	MAL	CPA	MSEAL	RSEAL	72	71	70	-	68	67	66	-	-	62	61	60	59	58	57	56	55	54	53		
											52	51	50	-	48	47	46	-	-	42	41	40	39	38	37	36	35	34	33		
															32	31	30	29	28	27	26	25	24	-	-	-	-	-	18	17	
															16	15	14	13	-	-	10	-	8	-	-	-	-	3	2	1	
MX123 CONN ASSY 73 CKT GRY OPT9 KEY B/11	345668083	C-HSG-B9	G-CAP-9-P	TPA-B9	RS	LS	MAL	CPA	MSEAL	RSEAL	72	71	70	69	68	67	66	65	64	63	-	61	60	-	-	57	56	55	-	-	
											52	51	50	49	48	47	46	45	44	43	-	41	40	-	38	37	36	35	34	33	
															32	31	30	29	28	-	26	25	24	23	22	21	20	19	18	17	
															16	15	14	13	12	11	-	-	8	7	6	5	4	3	2	1	
MX123 CONN ASSY 73 CKT BLK OPT9 KEY A/37	345668093	C-HSG-A9	G-CAP-9-P	TPA-A9	RS	LS	MAL	CPA	MSEAL	RSEAL	72	-	70	-	-	67	-	-	-	63	-	-	60	59	58	57	56	55	-	-	
											52	51	-	-	48	47	46	-	-	43	42	-	40	39	38	37	36	35	-	-	
															-	-	-	-	28	27	-	-	-	-	22	21	-	-	18	17	
															-	-	-	-	12	11	-	9	-	7	-	5	-	-	2	1	
MX123 CONN ASSY 73 CKT BLU OPT9 KEY C/34	345668113	C-HSG-C9	G-CAP-9-P	TPA-C9	RS	LS	MAL	CPA	MSEAL	RSEAL	72	71	70	69	-	67	66	65	64	-	-	-	-	-	-	56	-	54	-		
											52	51	50	49	-	47	46	45	44	-	-	-	-	39	38	-	-	-	34	-	
															-	31	30	29	28	-	26	25	-	23	22	21	-	-	-	17	
															16	15	14	13	12	-	-	9	-	7	6	-	-	-	-	-	
MX123 CONN ASSY 73 CKT BLU OPT0 KEY C/34	345668153	C-HSG-C0	G-CAP-0-P	TPA-C0	RS	LS	MAL	CPA	MSEAL	RSEAL	-	-	-	-	-	-	-	-	-	-	-	-	-	-	-	-	-	54	53		
											-	-	-	49	48	47	46	45	44	43	-	-	40	39	38	37	36	-	-	-	
															32	31	30	29	-	-	26	25	24	23	22	21	20	19	-	17	
															-	15	-	-	12	11	10	9	8	7	6	5	4	-	2	1	
MX123 CONN ASSY 73 CKT GRY OPT9 KEY B/36	345668163	C-HSG-B9	G-CAP-9-P	TPA-B9	RS	LS	MAL	CPA	MSEAL	RSEAL	72	71	70	69	-	-	66	65	-	-	62	61	60	-	-	57	56	-	-	53	
											52	51	50	49	48	-	-	-	-	-	42	41	40	-	-	37	36	-	34	33	
															-	-	-	-	-	-	26	25	24	-	-	21	20	-	18	-	
															16	-	14	-	-	-	-	-	8	7	-	5	-	3	2	-	
MX123 CONN ASSY 73 CKT GRY OPT0 KEY B/27	345668173	C-HSG-B0	G-CAP-0-P	TPA-B0	RS	LS	MAL	CPA	MSEAL	RSEAL	-	71	-	69	-	-	66	65	64	-	-	-	-	-	58	57	56	55	54	53	
											-	51	50	49	48	47	-	45	44	-	42	-	-	39	38	37	36	35	34	33	
															32	31	30	29	28	-	26	25	24	23	-	-	-	-	-	17	
															-	15	-	13	12	-	10	9	-	7	-	5	-	3	2	1	



ASSEMBLY DESCRIPTION	ASSEMBLY PART NUMBER	CONNECTOR HOUSING	GROMMET CAP	TPA	RIGHT SLIDE	LEFT SLIDE	MATE ASSIST LEVER	CPA	MAT SEAL	RING SEAL	BLOCKED TERMINALS																		STATUS	COMMENTS	INTEGRAL COMPONENTS SOLD SEPARATELY									
											CAVITY WITH A NUMBER INDICATES BLOCKED TERMINAL POSITION																				DRESS COVER									
											CAVITY WITHOUT A NUMBER INDICATES OPEN TERMINAL POSITION																													
MX123 CONN ASSY 73 CKT BLK OPT0 KEY A/42	345668203	C-HSG-A0	G-CAP-0-P	TPA-A0	RS	LS	MAL	CPA	MSEAL	RSEAL	72	71	-	69	68	-	-	65	64	63	62	61	60	59	-	57	-	-	-	53	SALEABLE		345650003							
											52	51	50	49	48	-	46	45	-	-	-	-	40	-	38	-	-	35	-	33										
																						32	-	-	29	28	-	26	-	-				23	22	-	-	-	-	17
																						16	15	14	-	12	11	10	9	8				7	-	-	-	-	2	-
MX123 CONN ASSY 73 CKT BLK OPT9 KEY A/22	345668223	C-HSG-A9	G-CAP-9-P	TPA-A9	RS	LS	MAL	CPA	MSEAL	RSEAL	-	71	70	69	68	67	66	65	64	63	-	-	60	-	58	-	56	-	54	53	SALEABLE		345650003							
											-	-	50	49	48	47	46	45	44	43	42	41	-	39	38	-	36	35	34	33										
																						-	31	30	-	28	27	26	-	24				23	22	21	-	19	18	17
																						-	-	-	13	-	-	-	-	8				7	6	5	4	3	2	1
MX123 CONN ASSY 73 CKT BLK OPT9 KEY A/43	345668293	C-HSG-A9	G-CAP-9-P	TPA-A9	RS	LS	MAL	CPA	MSEAL	RSEAL	72	-	-	-	-	-	-	-	64	-	62	61	-	-	-	57	56	55	54	53	SALEABLE		345650003							
											52	51	-	-	-	-	46	45	-	43	-	41	40	-	-	37	-	-	-	-										
																						32	-	30	29	-	27	-	25	-				-	-	-	20	-	-	-
																						16	15	-	13	-	11	10	9	-				-	-	-	4	-	-	-
MX123 CONN ASSY 73 CKT BLK OPT0 KEY A/14	345668303	C-HSG-A0	G-CAP-0-P	TPA-A0	RS	LS	MAL	CPA	MSEAL	RSEAL	-	-	70	-	-	-	-	65	-	-	-	61	60	-	-	-	-	55	-	-	SALEABLE		345650003							
											-	-	-	-	-	-	-	45	-	-	-	41	40	-	-	-	-	-	-	-										
																						-	-	-	-	28	-	26	25	-				-	-	-	-	-	18	-
																						16	-	-	-	-	-	10	-	-				-	-	-	-	-	-	-
MX123 CONN ASSY 73 CKT BLK OPT9 KEY A/41	345668313	C-HSG-A9	G-CAP-9-P	TPA-A9	RS	LS	MAL	CPA	MSEAL	RSEAL	72	-	-	-	68	-	-	-	64	-	62	61	-	-	-	57	56	55	54	53	SALEABLE		345650003							
											52	51	-	-	-	-	46	45	-	43	-	40	-	-	37	-	-	-	-											
																						32	-	30	29	-	27	-	25	-				-	-	-	20	-	-	-
																						16	15	14	13	-	11	10	9	-				-	-	-	5	4	-	-
MX123 CONN ASSY 73 CKT BLK OPT9 KEY A/38	345668323	C-HSG-A9	G-CAP-9-P	TPA-A9	RS	LS	MAL	CPA	MSEAL	RSEAL	72	-	-	-	-	-	-	-	64	-	62	61	-	59	58	57	56	55	54	-	SALEABLE		345650003							
											52	51	-	-	48	-	46	45	-	43	-	41	40	-	-	37	-	35	34	-										
																						32	-	30	29	-	27	-	25	-				-	-	-	20	-	-	-
																						16	15	-	13	-	11	10	9	-				-	-	-	4	3	-	-
MX123 CONN ASSY 73 CKT BLK OPT9 KEY A/42	345668333	C-HSG-A9	G-CAP-9-P	TPA-A9	RS	LS	MAL	CPA	MSEAL	RSEAL	72	-	-	-	-	-	-	-	64	-	62	61	-	59	-	57	56	55	54	-	SALEABLE		345650003							
											52	51	-	-	-	-	46	45	-	43	-	40	-	-	37	-	35	34	-											
																						32	-	30	29	-	27	-	25	-				-	-	-	20	-	-	-
																						16	15	-	13	-	11	10	9	-				-	-	-	4	-	-	-
MX123 CONN ASSY 73 CKT BLK OPT9 KEY A/40	345668343	C-HSG-A9	G-CAP-9-P	TPA-A9	RS	LS	MAL	CPA	MSEAL	RSEAL	72	-	-	-	-	-	-	-	64	-	62	61	-	-	58	57	56	55	54	53	SALEABLE		345650003							
											52	51	-	-	48	-	46	45	-	43	-	41	40	-	-	37	-	-	-	-										
																						32	-	30	29	-	27	-	25	-				-	-	-	20	-	-	-
																						16	15	-	13	-	11	10	9	-				-	-	-	4	3	-	-
MX123 CONN ASSY 73 CKT BLK OPT9 KEY A/31	345668353	C-HSG-A9	G-CAP-9-P	TPA-A9	RS	LS	MAL	CPA	MSEAL	RSEAL	-	71	70	69	68	67	66	65	-	63	-	-	60	59	58	-	-	-	-	-	SALEABLE		345650003							
											-	-	50	49	48	47	-	-	44	-	42	-	-	39	38	-	36	35	34	33										
																						-	31	-	-	28	-	26	-	24				23	22	21	-	19	18	17
																						-	-	14	-	12	-	-	-	8				7	6	5	-	3	2	1
MX123 CONN ASSY 73 CKT BLK OPT9 KEY A/33	345668363	C-HSG-A9	G-CAP-9-P	TPA-A9	RS	LS	MAL	CPA	MSEAL	RSEAL	-	71	70	69	-	67	66	65	-	63	-	-	60	59	58	-	-	-	-	-	SALEABLE		345650003							
											-	-	50	49	48	47	-	-	44	-	42	41	-	39	38	-	36	35	34	33										
																						-	31	-	-	28	-	26	-	24				23	22	21	-	19	18	17
																						-	-	-	-	12	-	-	-	8				7	6	-	-	3	2	1
MX123 CONN ASSY 73 CKT BLK OPT9 KEY A/36	345668373	C-HSG-A9	G-CAP-9-P	TPA-A9	RS	LS	MAL	CPA	MSEAL	RSEAL	-	71	70	69	68	67	66	65	-	63	-	-	60	-	-	-	-	-	53	SALEABLE		345650003								
											-	-	50	49	-	47	-	-	44	-	42	-	-	39	38	-	36	-	-				33							
																						-	31	-	-	28	-	26	-				24	23	22	21	-	19	18	17
																						-	-	14	-	12	-	-	-				8	7	6	5	-	-	2	1
MX123 CONN ASSY 73 CKT BLK OPT9 KEY A/32	345668383	C-HSG-A9	G-CAP-9-P	TPA-A9	RS	LS	MAL	CPA	MSEAL	RSEAL	-	71	70	69	68	67	66	65	-	63	-	-	60	-	58	-	-	-	53	SALEABLE		345650003								
											-	-	50	49	48	47	-	-	44	-	42	41	-	39	38	-	36	-	-				33							
																						-	31	-	-	28	-	26	-				24	23	22	21	-	19	18	17
																						-	-	14	-	12	-	-	-				8	7	6	5	-	3	2	1

ASSEMBLY DESCRIPTION	ASSEMBLY PART NUMBER	CONNECTOR HOUSING	GROMMET CAP	TPA	RIGHT SLIDE	LEFT SLIDE	MATE ASSIST LEVER	CPA	MAT SEAL	RING SEAL	BLOCKED TERMINALS																STATUS	COMMENTS	INTEGRAL COMPONENTS SOLD SEPARATELY	
											CAVITY WITH A NUMBER INDICATES BLOCKED TERMINAL POSITION																		DRESS COVER	
											CAVITY WITHOUT A NUMBER INDICATES OPEN TERMINAL POSITION																			
MX123 CONN ASSY 73 CKT BLK OPT0 KEY A/44	345668393	C-HSG-A0	G-CAP-0-P	TPA-A0	RS	LS	MAL	CPA	MSEAL	RSEAL	-	71	-	69	68	67	66	65	64	-	-	61	60	59	58	57	-	-	-	-
											-	-	50	-	-	47	46	45	44	-	42	41	40	39	38	37	-	-	-	-
															32	-	-	-	-	-	26	25	-	-	-	-	-	-	-	-
											-	-	-	-	-	11	-	-	-	-	-	-	5	4	-	-	-			
MX123 CONN ASSY 73 CKT GRY OPT0 KEY B/48	345668403	C-HSG-B0	G-CAP-0-P	TPA-B0	RS	LS	MAL	CPA	MSEAL	RSEAL	72	71	70	69	68	67	66	-	-	63	62	61	60	-	58	-	56	-	54	-
											52	51	-	-	-	47	-	45	44	43	42	41	40	-	38	-	36	-	34	-
															-	31	30	-	28	27	26	25	-	-	22	-	20	19	18	17
											16	-	14	13	12	11	10	9	8	-	-	-	-	-	-	2	1			
MX123 CONN ASSY 73 CKT BLK OPT0 KEY A/43	345668413	C-HSG-A0	G-CAP-0-P	TPA-A0	RS	LS	MAL	CPA	MSEAL	RSEAL	-	71	-	69	68	67	66	65	64	-	-	61	60	59	58	57	-	-	-	-
											-	-	50	-	-	47	46	45	44	-	42	41	40	39	38	37	-	-	-	-
															32	-	-	-	-	-	26	25	-	-	-	-	-	-	-	-
											-	-	-	13	-	11	-	-	-	-	-	-	5	4	-	-	-			
MX123 CONN ASSY 73 CKT BLU OPT0 KEY C/36	345668423	C-HSG-C0	G-CAP-0-P	TPA-C0	RS	LS	MAL	CPA	MSEAL	RSEAL	72	71	70	-	68	-	66	65	-	63	-	-	-	59	58	-	56	55	-	53
											-	-	-	-	-	47	-	-	-	43	-	-	40	39	38	-	36	35	-	-
															32	31	30	29	-	-	-	-	24	23	22	21	20	19	18	17
											-	-	-	-	-	-	-	-	-	-	-	-	6	5	4	3	2	1		
MX123 CONN ASSY 73 CKT BLU OPT0 KEY C/45	345668443	C-HSG-C0	G-CAP-0-P	TPA-C0	RS	LS	MAL	CPA	MSEAL	RSEAL	72	-	-	69	68	-	-	-	-	63	62	-	-	-	-	56	55	-	53	
											-	-	-	49	-	-	46	-	-	43	42	-	40	-	-	-	36	35	-	-
															-	31	30	29	-	-	26	-	24	-	22	21	20	19	-	-
											-	-	-	-	-	-	-	-	-	-	-	-	-	4	3	2	1			
MX123 CONN ASSY 73 CKT BLK OPT0 KEY A/48	345668453	C-HSG-A0	G-CAP-0-P	TPA-A0	RS	LS	MAL	CPA	MSEAL	RSEAL	-	-	-	-	-	67	-	-	-	-	62	61	-	59	58	-	-	55	-	53
											-	-	-	-	-	47	-	-	-	-	41	-	-	-	-	-	35	-	33	
															-	-	-	-	-	27	26	25	24	-	-	-	-	19	18	17
											16	-	-	-	-	11	10	9	8	-	-	-	-	-	3	-	1			
MX123 CONN ASSY 73 CKT GRY OPT0 KEY B/34	345668463	C-HSG-B0	G-CAP-0-P	TPA-B0	RS	LS	MAL	CPA	MSEAL	RSEAL	-	71	-	69	-	67	66	65	64	63	-	-	-	-	58	57	56	-	54	53
											-	51	50	49	-	-	-	45	-	-	42	-	-	39	-	-	-	-	34	33
															32	31	-	29	28	27	26	25	24	23	-	-	-	-	-	17
											-	-	-	13	12	11	10	9	-	7	-	5	-	3	2	-				
MX123 CONN ASSY 73 CKT BLU OPT0 KEY C/49	345668473	C-HSG-C0	G-CAP-0-P	TPA-C0	RS	LS	MAL	CPA	MSEAL	RSEAL	72	-	-	69	68	-	-	-	-	63	-	-	-	59	-	-	56	-	-	53
											-	-	-	-	-	-	46	-	-	43	-	-	40	39	-	-	36	-	-	
															32	31	30	29	-	-	-	-	24	23	22	21	20	-	-	-
											-	-	-	-	-	-	-	-	-	-	-	-	-	4	3	2	1			
MX123 CONN ASSY 73 CKT BLK OPT0 KEY A/51	345668483	C-HSG-A0	G-CAP-0-P	TPA-A0	RS	LS	MAL	CPA	MSEAL	RSEAL	-	-	-	-	-	67	-	-	-	-	62	-	-	59	58	-	-	55	-	-
											-	-	-	-	-	47	-	-	-	-	41	-	-	-	-	-	35	-	-	
															-	-	-	-	-	27	26	25	24	-	-	-	-	19	18	17
											16	-	-	-	-	11	10	9	8	-	-	-	-	-	3	-	1			
MX123 CONN ASSY 73 CKT GRY OPT0 KEY B/31	345668493	C-HSG-B0	G-CAP-0-P	TPA-B0	RS	LS	MAL	CPA	MSEAL	RSEAL	-	71	-	69	-	-	66	65	64	63	-	-	-	-	58	57	56	-	54	53
											-	51	50	49	-	-	-	45	-	-	42	41	-	39	38	37	36	35	34	-
															32	31	-	29	28	27	26	25	24	23	-	-	-	-	-	-
											-	-	-	13	12	11	10	9	-	7	-	5	-	3	2	1				
MX123 CONN ASSY 73 CKT GRY OPT0 KEY B/27	345668503	C-HSG-B0	G-CAP-0-P	TPA-B0	RS	LS	MAL	CPA	MSEAL	RSEAL	-	-	-	-	-	-	-	-	-	-	-	61	-	-	58	57	56	-	-	-
											-	51	50	-	-	47	46	45	-	-	-	41	40	-	38	37	36	-	-	-
															-	31	30	-	28	-	26	25	-	-	22	21	20	-	-	-
											16	15	14	-	-	-	10	-	-	-	-	-	-	-	-	-	-			
MX123 CONN ASSY 73 CKT BLK OPT9 KEY A/48	345668513	C-HSG-A9	G-CAP-9-P	TPA-A9	RS	LS	MAL	CPA	MSEAL	RSEAL	-	-	-	-	-	67	-	-	-	-	62	-	-	59	58	-	-	55	-	-
											-	-	-	-	-	47	-	-	-	-	42	41	-	-	-	-	35	-	-	
															-	-	-	-	-	27	26	25	-	-	-	21	20	19	18	17
											16	-	-	-	-	11	10	9	8	-	-	-	-	4	3	-	1			

ASSEMBLY DESCRIPTION	ASSEMBLY PART NUMBER	CONNECTOR HOUSING	GROMMET CAP	TPA	RIGHT SLIDE	LEFT SLIDE	MATE ASSIST LEVER	CPA	MAT SEAL	RING SEAL	BLOCKED TERMINALS																				STATUS	COMMENTS	INTEGRAL COMPONENTS SOLD SEPARATELY
											CAVITY WITH A NUMBER INDICATES BLOCKED TERMINAL POSITION																						DRESS COVER
											CAVITY WITHOUT A NUMBER INDICATES OPEN TERMINAL POSITION																						
MX123 CONN ASSY 73 CKT GRY OPT9 KEY B/27	345668523	C-HSG-B9	G-CAP-9-P	TPA-B9	RS	LS	MAL	CPA	MSEAL	RSEAL	-	71	-	69	-	67	66	65	64	63	-	-	60	59	58	57	56	-	54	53	SALEABLE		345650003
											-	51	50	49	-	-	-	45	44	-	42	41	-	39	38	37	36	35	34	33			
															32	31	-	29	28	27	26	25	24	23	-	-	-	-	-	-			
MX123 CONN ASSY 73 CKT BLU OPT9 KEY C/35	345668533	C-HSG-C9	G-CAP-9-P	TPA-C9	RS	LS	MAL	CPA	MSEAL	RSEAL	72	71	-	69	68	-	-	-	-	63	62	-	-	59	58	-	56	55	-	53	SALEABLE		345650003
											-	-	-	-	-	-	46	-	-	43	42	-	40	39	38	-	36	35	-	-			
															-	31	30	29	-	-	26	-	24	23	22	21	20	19	-	-			
MX123 CONN ASSY 73 CKT BLU OPT9 KEY C/35	345668543	C-HSG-C9	G-CAP-9-P	TPA-C9	RS	LS	MAL	CPA	MSEAL	RSEAL	72	-	70	-	68	-	-	-	-	63	62	61	-	59	58	-	56	55	-	53	SALEABLE		345650003
											-	-	-	-	-	-	-	-	-	43	42	41	40	39	38	-	36	35	-	-			
															-	31	30	29	-	-	26	25	24	23	22	21	20	19	18	17			
MX123 CONN ASSY 73 CKT GRY OPT0 KEY B/22	345668553	C-HSG-B0	G-CAP-0-P	TPA-B0	RS	LS	MAL	CPA	MSEAL	RSEAL	-	71	70	69	-	67	66	65	64	63	-	-	-	-	58	57	56	-	54	53	SALEABLE		345650003
											-	51	50	49	48	47	-	45	44	-	42	-	-	39	38	37	36	35	34	33			
															32	31	30	29	28	27	26	25	24	23	-	-	-	19	18	17			
MX123 CONN ASSY 73 CKT BLK OPT0 KEY A/35	345668563	C-HSG-A0	G-CAP-0-P	TPA-A0	RS	LS	MAL	CPA	MSEAL	RSEAL	-	71	-	69	68	-	66	65	64	-	62	61	-	-	-	-	-	54	53	SALEABLE		345650003	
											-	-	50	49	-	-	-	45	44	-	41	-	-	-	-	-	-	-	34				33
															32	31	30	29	-	27	26	25	24	23	-	-	20	19	-				-
MX123 CONN ASSY 73 CKT GRY OPT0 KEY B/59	345668573	C-HSG-B0	G-CAP-0-P	TPA-B0	RS	LS	MAL	CPA	MSEAL	RSEAL	-	-	-	-	-	-	-	-	-	-	62	-	-	-	58	-	-	-	54	53	SALEABLE		345650003
											-	-	-	-	-	-	-	-	-	-	42	-	-	-	-	-	-	-	34	-			
															-	-	-	-	-	27	-	25	-	-	-	-	-	18	17				
MX123 CONN ASSY 73 CKT BLU OPT0 KEY C/44	345668583	C-HSG-C0	G-CAP-0-P	TPA-C0	RS	LS	MAL	CPA	MSEAL	RSEAL	-	-	-	-	68	-	-	-	-	63	62	61	-	59	58	57	-	55	-	53	SALEABLE		345650003
											-	-	-	-	48	-	-	-	-	43	42	41	-	-	-	37	36	35	-	33			
															32	-	-	29	-	27	-	-	-	-	-	20	19	18	-				
MX123 CONN ASSY 73 CKT GRY OPT0 KEY B/32	345668593	C-HSG-B0	G-CAP-0-P	TPA-B0	RS	LS	MAL	CPA	MSEAL	RSEAL	-	71	70	69	-	67	66	65	64	63	-	-	-	-	58	57	56	-	54	53	SALEABLE		345650003
											-	51	50	49	-	-	-	45	44	-	42	-	-	39	-	-	-	-	34	33			
															32	31	-	29	28	27	26	25	24	23	-	-	-	-	17				
MX123 CONN ASSY 73 CKT BLK OPT0 KEY A/47	345668603	C-HSG-A0	G-CAP-0-P	TPA-A0	RS	LS	MAL	CPA	MSEAL	RSEAL	72	71	70	-	-	67	-	65	64	63	62	61	60	-	58	-	56	-	54	-	SALEABLE		345650003
											52	51	50	-	-	47	-	45	-	43	42	41	40	-	-	-	36	-	34	-			
															32	31	30	-	-	27	26	25	24	-	22	-	20	19	-	-			
MX123 CONN ASSY 73 CKT BLU OPT0 KEY C/43	345668613	C-HSG-C0	G-CAP-0-P	TPA-C0	RS	LS	MAL	CPA	MSEAL	RSEAL	72	-	-	69	68	-	-	-	-	63	62	-	-	-	-	56	55	-	53	SALEABLE		345650003	
											-	-	-	49	-	-	46	-	-	43	42	-	40	-	-	-	36	35	-				-
															-	31	30	29	-	-	26	-	24	-	22	21	20	19	-				-
MX123 CONN ASSY 73 CKT BLU OPT9 KEY C/31	345668623	C-HSG-C9	G-CAP-9-P	TPA-C9	RS	LS	MAL	CPA	MSEAL	RSEAL	72	71	70	69	-	67	66	-	64	-	-	-	60	-	-	-	-	54	-	SALEABLE		345650003	
											52	51	50	49	-	47	46	-	44	-	-	-	40	39	38	-	-	-	-				-
															-	-	30	29	28	27	26	25	24	23	22	21	-	-	-				17
MX123 CONN ASSY 73 CKT GRY OPT0 KEY B/22	345668633	C-HSG-B0	G-CAP-0-P	TPA-B0	RS	LS	MAL	CPA	MSEAL	RSEAL	-	71	70	69	68	67	66	65	64	63	-	-	60	59	58	57	56	55	54	53	SALEABLE		345650003
											-	51	50	49	-	-	-	45	44	-	42	41	-	39	38	37	36	35	34	33			
															32	31	-	29	28	27	26	25	24	23	-	-	-	-	-	-			



ASSEMBLY DESCRIPTION	ASSEMBLY PART NUMBER	CONNECTOR HOUSING	GROMMET CAP	TPA	RIGHT SLIDE	LEFT SLIDE	MATE ASSIST LEVER	CPA	MAT SEAL	RING SEAL	BLOCKED TERMINALS																				STATUS	COMMENTS	INTEGRAL COMPONENTS SOLD SEPARATELY
											CAVITY WITH A NUMBER INDICATES BLOCKED TERMINAL POSITION																						DRESS COVER
											CAVITY WITHOUT A NUMBER INDICATES OPEN TERMINAL POSITION																						
MX123 CONN ASSY 73 CKT BLU OPT0 KEY C/37	345668643	C-HSG-C0	G-CAP-0-P	TPA-C0	RS	LS	MAL	CPA	MSEAL	RSEAL	72	-	-	69	68	-	-	65	-	63	62	-	-	59	58	-	56	55	-	53	SALEABLE		345650003
											-	-	-	-	-	47	46	-	-	43	42	-	40	39	38	-	36	35	-	-			
											-	-	-	-	-	31	30	29	-	-	26	-	24	23	22	21	20	19	-	-			
MX123 CONN ASSY 73 CKT BLU OPT9 KEY C/36	345668653	C-HSG-C9	G-CAP-9-P	TPA-C9	RS	LS	MAL	CPA	MSEAL	RSEAL	72	-	70	-	68	-	-	-	-	62	-	-	59	58	-	56	55	54	53	SALEABLE		345650003	
											-	-	-	49	-	-	-	-	44	-	42	-	40	39	38	-	36	35	-				-
											-	-	-	-	32	31	30	29	-	-	26	-	24	23	22	21	20	19	18				17
MX123 CONN ASSY 73 CKT GRY OPT0 KEY B/46	345668663	C-HSG-B0	G-CAP-0-P	TPA-B0	RS	LS	MAL	CPA	MSEAL	RSEAL	-	-	-	-	68	67	66	65	-	-	62	-	-	59	-	-	-	54	53	SALEABLE		345650003	
											-	-	-	-	48	47	46	45	44	-	42	41	40	39	-	-	-	35	34				-
											-	-	-	-	31	-	-	-	27	-	-	-	-	-	-	-	-	19	18				17
MX123 CONN ASSY 73 CKT NAT OPT0 KEY F/45	345668673	C-HSG-F0	G-CAP-0-P	TPA-F0	RS	LS	MAL	CPA	MSEAL	RSEAL	-	71	-	69	-	-	-	65	64	-	-	61	60	-	58	-	56	55	54	-	SALEABLE		345650003
											-	-	50	-	-	-	-	45	-	43	42	-	-	-	38	-	-	-	-	-			
											-	-	-	-	31	-	29	28	-	-	-	-	23	-	-	-	19	18	17	-			
MX123 CONN ASSY 73 CKT GRY OPT0 KEY B/45	345668683	C-HSG-B0	G-CAP-0-P	TPA-B0	RS	LS	MAL	CPA	MSEAL	RSEAL	-	71	-	69	-	-	-	65	64	-	-	61	60	-	58	-	56	55	54	-	SALEABLE		345650003
											-	-	50	-	-	-	-	45	-	43	42	-	-	-	38	-	-	-	-	-			
											-	-	-	-	31	-	29	28	-	-	-	-	23	-	-	-	19	18	17	-			
MX123 CONN ASSY 73 CKT BLK OPT0 KEY A/45	345668693	C-HSG-A0	G-CAP-0-P	TPA-A0	RS	LS	MAL	CPA	MSEAL	RSEAL	-	71	-	69	-	-	-	65	64	-	-	61	60	-	58	-	56	55	54	-	SALEABLE		345650003
											-	-	50	-	-	-	-	45	-	43	42	-	-	-	38	-	-	-	-	-			
											-	-	-	-	31	-	29	28	-	-	-	-	23	-	-	-	19	18	17	-			
MX123 CONN ASSY 73 CKT GRY OPT0 KEY B/42	345668703	C-HSG-B0	G-CAP-0-P	TPA-B0	RS	LS	MAL	CPA	MSEAL	RSEAL	72	71	70	-	-	67	-	65	-	63	62	61	60	-	58	-	56	-	54	-	SALEABLE		345650003
											52	51	-	-	-	-	46	45	-	43	42	41	40	-	38	-	36	-	34	-			
											-	-	-	-	32	31	30	-	-	27	26	25	24	-	22	-	20	19	18	-			
MX123 CONN ASSY 73 CKT GRY OPT9 KEY B/46	345668713	C-HSG-B9	G-CAP-9-P	TPA-B9	RS	LS	MAL	CPA	MSEAL	RSEAL	-	-	-	-	68	67	66	65	-	-	62	-	-	59	-	-	-	54	53	SALEABLE		345650003	
											-	-	-	-	48	47	46	45	44	-	42	41	40	39	-	-	-	35	34				-
											-	-	-	-	31	-	-	-	27	-	-	-	-	-	-	-	-	19	18				17
MX123 CONN ASSY 73 CKT BLU OPT0 KEY C/36	345668723	C-HSG-C0	G-CAP-0-P	TPA-C0	RS	LS	MAL	CPA	MSEAL	RSEAL	72	-	-	69	68	67	-	65	-	63	62	-	-	59	58	-	56	55	-	53	SALEABLE		345650003
											-	-	-	-	-	47	46	-	-	43	42	-	40	39	38	-	36	35	-	-			
											-	-	-	-	-	31	30	29	-	-	26	-	24	23	22	21	20	19	-	-			
MX123 CONN ASSY 73 CKT BLK OPT0 KEY A/49	345668733	C-HSG-A0	G-CAP-0-P	TPA-A0	RS	LS	MAL	CPA	MSEAL	RSEAL	-	-	-	-	-	67	-	-	-	-	62	61	-	59	58	-	-	55	-	53	SALEABLE		345650003
											-	-	-	-	-	47	-	-	-	-	-	41	-	-	-	-	35	-	33	-			
											-	-	-	-	-	-	-	-	27	26	25	24	-	-	-	-	19	18	17	-			
MX123 CONN ASSY 73 CKT BLU OPT0 KEY C/41	345668743	C-HSG-C0	G-CAP-0-P	TPA-C0	RS	LS	MAL	CPA	MSEAL	RSEAL	-	-	-	-	68	-	-	65	-	63	62	61	60	59	58	57	56	55	-	53	SALEABLE		345650003
											-	-	-	-	48	-	-	45	-	43	42	41	40	-	-	37	36	35	34	33			
											-	-	-	-	32	31	-	-	-	-	-	-	-	-	-	-	20	19	18	-			
MX123 CONN ASSY 73 CKT GRY OPT0 KEY B/56	345668753	C-HSG-B0	G-CAP-0-P	TPA-B0	RS	LS	MAL	CPA	MSEAL	RSEAL	-	-	-	-	-	-	-	-	-	62	-	-	59	-	-	-	-	-	SALEABLE		345650003		
											-	-	-	-	-	-	-	-	-	42	41	-	39	38	-	-	-	-				-	-
											-	-	-	-	-	31	-	-	-	27	-	-	-	23	22	-	20	-				18	17

ASSEMBLY DESCRIPTION	ASSEMBLY PART NUMBER	CONNECTOR HOUSING	GROMMET CAP	TPA	RIGHT SLIDE	LEFT SLIDE	MATE ASSIST LEVER	CPA	MAT SEAL	RING SEAL	BLOCKED TERMINALS																		STATUS	COMMENTS	INTEGRAL COMPONENTS SOLD SEPARATELY			
											CAVITY WITH A NUMBER INDICATES BLOCKED TERMINAL POSITION																				DRESS COVER			
											CAVITY WITHOUT A NUMBER INDICATES OPEN TERMINAL POSITION																							
MX123 CONN ASSY 73 CKT BLK OPT0 KEY A/45	345668763	C-HSG-A0	G-CAP-0-P	TPA-A0	RS	LS	MAL	CPA	MSEAL	RSEAL	-	-	-	69	68	-	-	65	64	63	62	61	60	-	-	-	-	-	-	-	-			
											-	-	-	49	48	-	-	45	44	43	42	41	40	-	38	-	-	-	-	34	-			
											-																		-	-	-	-	25	24
MX123 CONN ASSY 73 CKT GRY OPT9 KEY B/29	345668773	C-HSG-B9	G-CAP-9-P	TPA-B9	RS	LS	MAL	CPA	MSEAL	RSEAL	-	71	-	69	-	67	66	65	64	63	-	-	-	-	58	57	56	-	54	53				
											-	51	50	49	-	-	-	45	44	-	42	41	-	39	38	37	36	35	34	33				
											-																		32	31	-	29	28	27
MX123 CONN ASSY 73 CKT BLK OPT9 KEY A/48	345668783	C-HSG-A9	G-CAP-9-P	TPA-A9	RS	LS	MAL	CPA	MSEAL	RSEAL	-	-	-	-	-	67	-	-	-	-	62	-	-	59	58	-	-	55	-	-				
											-	-	-	-	-	47	-	-	-	-	42	41	-	-	-	-	-	35	-	-				
											-																		-	-	-	-	-	27
MX123 CONN ASSY 73 CKT BLU OPT9 KEY C/38	345668793	C-HSG-C9	G-CAP-9-P	TPA-C9	RS	LS	MAL	CPA	MSEAL	RSEAL	72	-	-	69	68	-	-	-	64	63	62	-	-	59	58	-	56	55	-	53				
											-	-	-	-	-	-	46	-	-	43	42	-	40	39	38	-	36	35	-	-				
											-																		-	31	30	29	-	-
MX123 CONN ASSY 73 CKT GRY OPT0 KEY B/34	345668803	C-HSG-B0	G-CAP-0-P	TPA-B0	RS	LS	MAL	CPA	MSEAL	RSEAL	72	71	70	69	-	-	-	-	64	63	62	61	60	-	-	-	56	55	-	-				
											52	-	-	-	-	47	-	-	44	-	-	41	-	-	-	-	36	35	34	-				
											-																		-	-	-	29	28	27
MX123 CONN ASSY 73 CKT GRY OPT9 KEY B/61	345668813	C-HSG-B9	G-CAP-9-P	TPA-B9	RS	LS	MAL	CPA	MSEAL	RSEAL	-	-	-	-	-	66	-	-	-	62	-	-	-	58	-	-	-	-	-					
											-	-	-	-	-	-	-	-	-	-	41	-	-	38	37	-	-	-	-					
											-																		-	-	-	-	-	-
MX123 CONN ASSY 73 CKT BLU OPT9 KEY C/42	345668823	C-HSG-C9	G-CAP-9-P	TPA-C9	RS	LS	MAL	CPA	MSEAL	RSEAL	-	-	-	-	68	-	-	65	-	63	62	61	-	59	58	57	56	55	-	53				
											-	-	-	-	48	-	-	45	-	43	42	41	-	-	38	37	36	35	34	33				
											-																		32	31	-	-	-	-
MX123 CONN ASSY 73 CKT BLU OPT9 KEY C/49	345668833	C-HSG-C9	G-CAP-9-P	TPA-C9	RS	LS	MAL	CPA	MSEAL	RSEAL	-	71	-	69	-	-	-	65	64	-	-	61	60	-	58	-	56	55	-	-				
											-	-	50	-	-	-	-	45	-	43	42	-	-	-	38	-	-	-	-	-				
											-																		-	31	-	29	28	-
MX123 CONN ASSY 73 CKT BLU OPT0 KEY C/42	345668843	C-HSG-C0	G-CAP-0-P	TPA-C0	RS	LS	MAL	CPA	MSEAL	RSEAL	-	-	-	-	68	-	-	65	-	63	62	61	60	59	58	57	56	55	-	53				
											-	-	-	-	48	-	-	45	-	43	42	-	40	-	-	37	36	35	34	33				
											-																		32	31	-	-	-	-
MX123 CONN ASSY 73 CKT GRY OPT0 KEY B/36	345668853	C-HSG-B0	G-CAP-0-P	TPA-B0	RS	LS	MAL	CPA	MSEAL	RSEAL	-	71	70	69	-	-	66	65	64	-	-	-	-	-	58	57	56	-	54	53				
											-	51	50	49	-	-	-	45	-	-	42	-	-	39	-	-	-	-	-	34	33			
											-																		32	31	-	29	28	-
MX123 CONN ASSY 73 CKT GRY OPT0 KEY B/44	345668863	C-HSG-B0	G-CAP-0-P	TPA-B0	RS	LS	MAL	CPA	MSEAL	RSEAL	-	-	-	-	68	67	66	65	-	-	62	-	60	59	-	-	-	-	54	53				
											-	-	-	-	48	47	46	45	44	-	42	41	40	39	-	-	-	-	35	34	-			
											-																		-	31	-	-	-	27
MX123 CONN ASSY 73 CKT GRY OPT0 KEY B/46	345668873	C-HSG-B0	G-CAP-0-P	TPA-B0	RS	LS	MAL	CPA	MSEAL	RSEAL	-	-	-	-	68	67	66	65	-	-	62	-	60	59	-	-	-	-	54	53				
											-	-	-	-	48	47	46	45	44	-	42	41	40	39	-	-	-	-	35	34	-			
											-																		-	-	-	-	-	27



ASSEMBLY DESCRIPTION	ASSEMBLY PART NUMBER	CONNECTOR HOUSING	GROMMET CAP	TPA	RIGHT SLIDE	LEFT SLIDE	MATE ASSIST LEVER	CPA	MAT SEAL	RING SEAL	BLOCKED TERMINALS																				STATUS	COMMENTS	INTEGRAL COMPONENTS SOLD SEPARATELY						
											CAVITY WITH A NUMBER INDICATES BLOCKED TERMINAL POSITION																						DRESS COVER						
											CAVITY WITHOUT A NUMBER INDICATES OPEN TERMINAL POSITION																												
MX123 CONN ASSY 73 CKT BLK OPT0 KEY A/29	345669013	C-HSG-A0	G-CAP-0-P	TPA-A0	RS	LS	MAL	CPA	MSEAL	RSEAL	72	71	70	-	-	67	66	-	-	-	-	-	-	59	58	57	56	55	54	53	SALEABLE		345650003						
											52	51	50	-	-	47	46	-	-	-	-	-	-	39	-	37	36	35	-	33									
																					32	31	30	29	28	27	26	-	-	-				-	21	-	-	18	17
																					16	15	14	13	12	11	10	-	8	7				-	-	-	3	2	1
MX123 CONN ASSY 73 CKT GRY OPT0 KEY B/18	345669023	C-HSG-B0	G-CAP-0-P	TPA-B0	RS	LS	MAL	CPA	MSEAL	RSEAL	72	71	70	69	68	67	66	65	64	63	-	61	60	-	58	57	56	55	54	53	SALEABLE		345650003						
											52	51	50	49	48	47	46	45	44	43	-	-	40	-	-	37	36	35	34	33									
																					32	-	30	29	28	-	26	25	24	-				-	21	-	19	-	-
																					16	-	14	13	12	11	10	9	8	-				6	5	-	-	2	1
MX123 CONN ASSY 73 CKT BLU OPT0 KEY C/43	345669033	C-HSG-C0	G-CAP-0-P	TPA-C0	RS	LS	MAL	CPA	MSEAL	RSEAL	-	71	-	69	68	-	66	65	64	-	62	61	-	-	-	-	-	54	53	SALEABLE		345650003							
											-	-	-	-	48	-	-	-	-	43	42	41	40	-	-	37	36	35	-				33						
																					32	-	-	-	-	27	-	-	-				-	-	-	20	19	18	-
																					-	-	-	-	-	11	10	-	-				-	-	-	-	4	3	2
MX123 CONN ASSY 73 CKT BLU OPT0 KEY C/40	345669043	C-HSG-C0	G-CAP-0-P	TPA-C0	RS	LS	MAL	CPA	MSEAL	RSEAL	-	-	-	-	68	-	-	-	-	63	62	61	60	59	58	57	56	55	-	53	SALEABLE		345650003						
											-	-	-	-	48	-	-	-	-	43	42	41	40	-	-	37	36	35	34	33									
																					32	31	-	-	-	27	-	-	-	-				-	-	20	19	18	-
																					-	-	-	-	-	11	10	-	-	-				-	-	-	4	3	2
MX123 CONN ASSY 73 CKT BLU OPT0 KEY C/49	345669053	C-HSG-C0	G-CAP-0-P	TPA-C0	RS	LS	MAL	CPA	MSEAL	RSEAL	-	-	-	-	67	-	-	-	-	63	62	-	-	59	58	-	-	55	-	-	SALEABLE		345650003						
											-	-	-	-	47	-	-	-	-	-	41	-	-	-	-	-	35	-	-										
																					32	-	-	-	-	27	26	25	24	-				-	-	-	19	18	17
																					16	-	-	-	-	11	10	9	8	-				-	-	-	3	-	1
MX123 CONN ASSY 73 CKT GRY OPT0 KEY B/26	345669063	C-HSG-B0	G-CAP-0-P	TPA-B0	RS	LS	MAL	CPA	MSEAL	RSEAL	-	71	70	69	-	67	66	65	64	63	-	-	-	-	58	57	56	-	54	53	SALEABLE		345650003						
											-	51	50	49	48	47	-	45	-	-	42	-	-	39	38	37	36	35	34	33									
																					32	31	30	29	28	27	26	25	24	23				-	-	-	-	-	-
																					-	-	-	13	12	11	10	9	-	7				-	5	-	3	2	1
MX123 CONN ASSY 73 CKT GRY OPT0 KEY B/64	345669073	C-HSG-B0	G-CAP-0-P	TPA-B0	RS	LS	MAL	CPA	MSEAL	RSEAL	-	-	-	-	-	-	-	-	-	-	62	-	-	-	58	-	-	-	54	53	SALEABLE		345650003						
											-	-	-	-	-	-	-	-	-	-	42	-	-	-	-	-	-	-	-	-									
																					-	-	-	-	-	27	-	25	-	-				-	-	-	-	-	-
																					-	-	-	-	-	11	10	-	-	-				-	-	-	-	-	-
MX123 CONN ASSY 73 CKT BLK OPT0 KEY A/36	345669083	C-HSG-A0	G-CAP-0-P	TPA-A0	RS	LS	MAL	CPA	MSEAL	RSEAL	-	71	-	69	68	-	66	65	64	-	62	61	-	-	-	-	-	54	53	SALEABLE		345650003							
											-	-	50	49	-	-	-	45	44	-	-	41	-	-	-	-	-	-	34				33						
																					32	31	30	29	-	-	26	25	24				23	-	-	20	19	-	-
																					16	15	14	13	-	-	10	-	8				-	6	5	4	3	-	-
MX123 CONN ASSY 73 CKT BLK OPT0 KEY A/35	345669093	C-HSG-A0	G-CAP-0-P	TPA-A0	RS	LS	MAL	CPA	MSEAL	RSEAL	-	71	-	69	68	-	66	65	64	-	62	61	-	-	-	-	-	54	53	SALEABLE		345650003							
											-	-	50	49	-	-	-	45	44	-	-	41	-	-	-	-	-	-	34				33						
																					32	31	30	29	-	-	26	25	24				23	-	-	20	19	-	-
																					16	15	14	13	-	-	10	-	8				7	6	5	4	3	-	-
MX123 CONN ASSY 73 CKT BLK OPT0 KEY A/30	345669103	C-HSG-A0	G-CAP-0-P	TPA-A0	RS	LS	MAL	CPA	MSEAL	RSEAL	72	71	70	69	-	67	66	-	64	-	62	-	60	-	-	57	-	55	54	-	SALEABLE		345650003						
											-	-	-	49	48	-	46	45	44	43	42	-	40	39	-	-	-	-	-	-									
																					-	-	-	-	-	-	26	-	-	-				-	-	-	-	-	-
																					-	-	-	-	-	-	-	-	8	7				6	5	4	3	2	-
MX123 CONN ASSY 73 CKT BLK OPT0 KEY A/50	345669113	C-HSG-A0	G-CAP-0-P	TPA-A0	RS	LS	MAL	CPA	MSEAL	RSEAL	-	-	-	-	-	67	-	-	-	63	62	-	-	59	58	-	-	55	-	-	SALEABLE		345650003						
											-	-	-	-	-	47	-	-	-	-	41	-	-	-	-	-	-	35	-	-									
																					32	-	-	-	-	27	26	25	24	-				-	-	-	19	18	17
																					16	-	-	-	-	11	-	9	8	-				-	-	-	3	-	1
MX123 CONN ASSY 73 CKT NAT OPT9 KEY F/57	345669143	C-HSG-F9	G-CAP-9-P	TPA-F9	RS	LS	MAL	CPA	MSEAL	RSEAL	-	-	-	69	68	-	-	-	-	-	-	-	-	-	58	57	-	-	-	SALEABLE		345650003							
											-	-	-	-	-	-	-	-	-	43	42	-	-	-	-	-	-	-	-				33						
																					-	-	30	-	-	-	-	-	-				-	-	-	-	19	18	17
																					-	-	-	-	-	-	-	-	-				-	-	-	-	3	2	1

ASSEMBLY DESCRIPTION	ASSEMBLY PART NUMBER	CONNECTOR HOUSING	GROMMET CAP	TPA	RIGHT SLIDE	LEFT SLIDE	MATE ASSIST LEVER	CPA	MAT SEAL	RING SEAL	BLOCKED TERMINALS																				STATUS	COMMENTS	INTEGRAL COMPONENTS SOLD SEPARATELY
											CAVITY WITH A NUMBER INDICATES BLOCKED TERMINAL POSITION																						DRESS COVER
											CAVITY WITHOUT A NUMBER INDICATES OPEN TERMINAL POSITION																						
MX123 CONN ASSY 73 CKT GRY OPT9 KEY B/14	345669153	C-HSG-B9	G-CAP-9-P	TPA-B9	RS	LS	MAL	CPA	MSEAL	RSEAL	72	71	70	69	68	67	-	65	64	63	-	61	60	59	-	57	56	55	54	53	SALEABLE		345650003
											52	51	50	49	48	47	46	45	44	43	42	-	40	39	-	-	36	35	34	33			
															32	31	30	29	28	27	26	25	24	23	22	21	-	-	-	-			
MX123 CONN ASSY 73 CKT GRY OPT9 KEY B/30	345669163	C-HSG-B9	G-CAP-9-P	TPA-B9	RS	LS	MAL	CPA	MSEAL	RSEAL	72	71	70	69	-	-	-	-	64	63	-	61	-	-	58	57	56	55	-	-	SALEABLE		345650003
											52	51	50	49	-	-	-	-	-	43	-	-	-	38	37	36	-	-	33				
															32	-	30	29	28	-	26	25	24	23	22	21	20	-	-	-			
MX123 CONN ASSY 73 CKT GRY OPT0 KEY B/12	345669173	C-HSG-B0	G-CAP-0-P	TPA-B0	RS	LS	MAL	CPA	MSEAL	RSEAL	72	71	70	69	68	67	66	-	64	63	-	61	60	59	-	57	56	55	54	53	SALEABLE		345650003
											52	51	50	49	48	47	46	45	44	43	42	-	40	39	-	-	36	35	34	33			
															32	31	30	29	28	27	26	25	24	23	22	21	20	-	-	-			
MX123 CONN ASSY 73 CKT GRY OPT9 KEY B/62	345669183	C-HSG-B9	G-CAP-9-P	TPA-B9	RS	LS	MAL	CPA	MSEAL	RSEAL	-	-	-	-	-	-	66	-	-	-	-	-	-	58	-	-	-	-	SALEABLE		345650003		
											-	-	-	-	-	-	-	-	-	-	-	-	41	-	-	38	37	-				-	-
															-	-	-	-	-	-	-	-	-	-	-	20	-	18				17	
MX123 CONN ASSY 73 CKT NAT OPT9 KEY F/18	345669193	C-HSG-F9	G-CAP-9-P	TPA-F9	RS	LS	MAL	CPA	MSEAL	RSEAL	72	71	70	-	-	67	66	65	64	63	62	61	60	59	-	-	56	55	54	53	SALEABLE		345650003
											52	51	50	49	48	47	46	45	44	-	-	41	40	39	-	-	36	35	34	-			
															32	31	-	29	28	27	26	25	24	23	22	21	20	-	-	-			
MX123 CONN ASSY 73 CKT BLK OPT0 KEY A/24	345669203	C-HSG-A0	G-CAP-0-P	TPA-A0	RS	LS	MAL	CPA	MSEAL	RSEAL	-	-	-	-	-	-	65	-	-	-	-	-	-	58	57	56	-	-	-	SALEABLE		345650003	
											-	51	50	-	-	47	46	45	-	-	-	41	-	-	-	37	36	-	-				-
															32	31	-	-	-	-	26	25	-	-	22	21	20	-	-				-
MX123 CONN ASSY 73 CKT GRY OPT0 KEY B/46	345669213	C-HSG-B0	G-CAP-0-P	TPA-B0	RS	LS	MAL	CPA	MSEAL	RSEAL	72	71	70	69	-	-	-	-	-	63	62	61	60	-	-	-	56	-	-	-	SALEABLE		345650003
											52	-	-	-	-	47	-	-	44	-	-	-	-	-	-	36	-	34	-				
															-	-	-	29	28	27	-	25	-	-	21	-	19	18	17				
MX123 CONN ASSY 73 CKT GRY OPT9 KEY B/30	345669223	C-HSG-B9	G-CAP-9-P	TPA-B9	RS	LS	MAL	CPA	MSEAL	RSEAL	-	71	70	69	68	67	66	65	64	63	-	-	-	58	57	56	-	54	53	SALEABLE		345650003	
											-	51	50	49	-	-	-	45	44	43	42	-	-	39	-	-	-	-	34				33
															32	31	-	29	28	27	26	25	24	23	-	-	-	-	17				
MX123 CONN ASSY 73 CKT BLU OPT9 KEY C/40	345669233	C-HSG-C9	G-CAP-9-P	TPA-C9	RS	LS	MAL	CPA	MSEAL	RSEAL	72	-	70	69	68	-	66	-	-	63	62	-	-	-	58	-	56	55	-	53	SALEABLE		345650003
											-	-	-	49	-	-	46	-	-	43	42	-	40	-	38	-	36	35	-	-			
															-	31	30	29	-	-	26	-	24	-	22	21	20	19	-	17			
MX123 CONN ASSY 73 CKT GRY OPT9 KEY B/44	345669243	C-HSG-B9	G-CAP-9-P	TPA-B9	RS	LS	MAL	CPA	MSEAL	RSEAL	-	-	-	-	68	67	66	65	-	-	62	-	60	59	-	-	-	54	53	SALEABLE		345650003	
											-	-	-	-	48	47	46	45	44	-	42	41	40	39	-	-	-	35	34				-
															-	31	-	-	-	27	-	-	-	-	-	-	19	18	17				
MX123 CONN ASSY 73 CKT GRY OPT9 KEY B/61	345669253	C-HSG-B9	G-CAP-9-P	TPA-B9	RS	LS	MAL	CPA	MSEAL	RSEAL	-	-	-	-	-	-	66	-	-	-	-	-	-	58	-	-	-	-	SALEABLE		345650003		
											-	-	-	-	-	-	-	-	-	-	-	-	41	-	-	38	37	-				-	-
															-	-	-	-	-	-	-	-	-	-	20	19	18	17					
MX123 CONN ASSY 73 CKT GRY OPT9 KEY B/22	345669263	C-HSG-B9	G-CAP-9-P	TPA-B9	RS	LS	MAL	CPA	MSEAL	RSEAL	-	71	70	69	-	67	66	65	64	63	-	-	-	58	57	56	-	54	53	SALEABLE		345650003	
											-	51	50	49	48	47	-	45	44	-	42	-	-	39	38	37	36	35	34				33
															32	31	30	29	28	27	26	25	24	23	-	-	-	19	18				17

ASSEMBLY DESCRIPTION	ASSEMBLY PART NUMBER	CONNECTOR HOUSING	GROMMET CAP	TPA	RIGHT SLIDE	LEFT SLIDE	MATE ASSIST LEVER	CPA	MAT SEAL	RING SEAL	BLOCKED TERMINALS																		STATUS	COMMENTS	INTEGRAL COMPONENTS SOLD SEPARATELY										
											CAVITY WITH A NUMBER INDICATES BLOCKED TERMINAL POSITION																				DRESS COVER										
											CAVITY WITHOUT A NUMBER INDICATES OPEN TERMINAL POSITION																														
MX123 CONN ASSY 73 CKT GRY OPT9 KEY B/57	345669273	C-HSG-B9	G-CAP-9-P	TPA-B9	RS	LS	MAL	CPA	MSEAL	RSEAL	-	-	-	-	-	-	66	-	-	-	62	-	-	-	58	-	-	-	-	-											
											52	51	-	-	-	-	-	-	45	-	-	-	41	-	-	-	38	37	-	-	-	-	-	-	-	-	-	-	-	-	-
																													-	20	19	18	17								
MX123 CONN ASSY 73 CKT BLK OPT0 KEY A/14	345669303	C-HSG-A0	G-CAP-0-P	TPA-A0	RS	LS	MAL	CPA	MSEAL	RSEAL	-	-	70	-	-	-	-	65	-	-	-	61	60	-	-	-	-	-	-	-											
											-	-	-	-	-	-	-	-	45	-	-	-	41	40	-	-	-	-	-	-	-	-	-	-	-	-	-	-	-	-	
																													-	-	-	-	28	-	26	25	-	-	-	-	-
MX123 CONN ASSY 73 CKT BLK OPT9 KEY A/33	345669313	C-HSG-A9	G-CAP-9-P	TPA-A9	RS	LS	MAL	CPA	MSEAL	RSEAL	-	71	70	69	68	67	66	65	-	63	-	-	60	59	-	-	-	-	-	-	-										
											-	-	50	49	-	47	-	-	44	-	42	-	-	39	38	-	36	35	34	33	-	-	-	-	-	-	-	-	-	-	
																													-	-	-	-	31	-	-	28	-	26	-	24	23
MX123 CONN ASSY 73 CKT BLK OPT9 KEY A/37	345669323	C-HSG-A9	G-CAP-9-P	TPA-A9	RS	LS	MAL	CPA	MSEAL	RSEAL	-	71	70	69	68	67	66	65	-	63	-	-	60	-	-	-	-	-	-	-	-										
											-	-	50	49	-	47	-	-	44	-	42	-	-	39	38	-	36	-	-	33	-	-	-	-	-	-	-	-	-	-	
																													-	-	-	-	31	-	-	28	-	26	-	24	23
MX123 CONN ASSY 73 CKT BLK OPT9 KEY A/35	345669333	C-HSG-A9	G-CAP-9-P	TPA-A9	RS	LS	MAL	CPA	MSEAL	RSEAL	-	71	70	69	68	67	66	65	-	63	-	-	60	-	-	-	-	-	-	-	-										
											-	-	50	49	-	47	-	-	44	-	42	-	-	39	38	-	36	-	-	33	-	-	-	-	-	-	-	-	-	-	
																													-	-	-	-	31	-	-	28	-	26	-	24	23
MX123 CONN ASSY 73 CKT BLU OPT9 KEY C/34	345669343	C-HSG-C9	G-CAP-9-P	TPA-C9	RS	LS	MAL	CPA	MSEAL	RSEAL	-	71	-	-	-	67	-	65	64	-	-	61	60	59	-	57	-	-	54	-											
											52	51	50	-	48	47	-	45	44	-	-	41	-	39	-	37	-	-	34	33	-	-	-	-	-	-	-	-	-	-	
																													32	-	-	-	28	27	-	25	-	23	-	-	-
MX123 CONN ASSY 73 CKT BLK OPT9 KEY A/35	345669353	C-HSG-A9	G-CAP-9-P	TPA-A9	RS	LS	MAL	CPA	MSEAL	RSEAL	-	71	70	69	68	67	66	65	-	63	-	-	60	59	-	-	-	-	-	-											
											-	-	50	49	-	47	-	-	44	-	42	-	-	39	38	-	36	-	-	33	-	-	-	-	-	-	-	-	-	-	
																													-	-	-	-	31	-	-	28	-	26	-	24	23
MX123 CONN ASSY 73 CKT BLK OPT9 KEY A/32	345669363	C-HSG-A9	G-CAP-9-P	TPA-A9	RS	LS	MAL	CPA	MSEAL	RSEAL	-	71	70	69	68	67	66	65	-	63	-	-	60	59	58	-	-	-	-	-	-										
											-	-	50	49	48	47	-	-	44	-	42	41	-	39	38	-	36	-	-	33	-	-	-	-	-	-	-	-	-	-	
																													-	-	-	-	31	-	-	28	-	26	-	24	23
MX123 CONN ASSY 73 CKT BLK OPT9 KEY A/59	345669383	C-HSG-A9	G-CAP-9-P	TPA-A9	RS	LS	MAL	CPA	MSEAL	RSEAL	-	-	-	-	-	67	66	65	-	-	-	-	60	-	-	-	-	-	-												
											-	-	-	49	-	-	-	-	-	-	42	-	-	-	-	36	-	-	-	-	-	-	-	-	-	-	-	-	-	-	
																													-	-	-	-	31	-	-	28	-	-	-	-	23
MX123 CONN ASSY 73 CKT GRY OPT0 KEY B/62	345669393	C-HSG-B0	G-CAP-0-P	TPA-B0	RS	LS	MAL	CPA	MSEAL	RSEAL	-	-	-	-	-	-	66	-	-	-	62	-	-	-	58	-	-	-	-	-											
											-	-	-	-	-	-	-	-	-	-	-	-	-	-	-	-	-	-	19	18	17	-	-	-	-	-	-	-	-	-	
																													-	-	-	-	-	-	-	-	-	-	-	-	-
MX123 CONN ASSY 73 CKT GRY OPT0 KEY B/32	345669403	C-HSG-B0	G-CAP-0-P	TPA-B0	RS	LS	MAL	CPA	MSEAL	RSEAL	72	71	70	69	-	-	-	-	64	63	62	61	60	-	-	-	56	55	-	-											
											52	-	-	-	-	47	-	-	44	-	-	-	-	-	-	36	-	34	-	-	-	-	-	-	-	-	-	-	-	-	
																													-	-	-	29	28	27	-	25	-	-	-	21	-
MX123 CONN ASSY 73 CKT BLK OPT0 KEY A/43	345669423	C-HSG-A0	G-CAP-0-P	TPA-A0	RS	LS	MAL	CPA	MSEAL	RSEAL	-	-	-	69	68	-	-	65	64	63	62	61	60	59	-	-	-	-	-	-											
											-	-	-	49	48	-	-	45	44	43	42	41	40	-	38	-	-	-	34	-	-	-	-	-	-	-	-	-	-	-	
																													-	-	-	-	-	-	-	-	-	-	25	24	23



ASSEMBLY DESCRIPTION	ASSEMBLY PART NUMBER	CONNECTOR HOUSING	GROMMET CAP	TPA	RIGHT SLIDE	LEFT SLIDE	MATE ASSIST LEVER	CPA	MAT SEAL	RING SEAL	BLOCKED TERMINALS																		STATUS	COMMENTS	INTEGRAL COMPONENTS SOLD SEPARATELY																						
											CAVITY WITH A NUMBER INDICATES BLOCKED TERMINAL POSITION																				DRESS COVER																						
											CAVITY WITHOUT A NUMBER INDICATES OPEN TERMINAL POSITION																																										
MX123 CONN ASSY 73 CKT GRY OPT0 KEY B/53	345669433	C-HSG-B0	G-CAP-0-P	TPA-B0	RS	LS	MAL	CPA	MSEAL	RSEAL	-	-	-	-	-	-	-	-	-	-	-	62	-	60	59	-	-	-	-	-	-	-	-	-	-																		
											-	-	-	-	-	-	-	-	-	-	43	42	41	-	-	38	-	-	-	-	-	-	-	-	-	-	-	-	-	-	-	-	-	-									
																					32	31	-	-	-	-	-	-	-	-	-	-	23	22	-	20	19	18	17														
											-	15	-	-	-	11	-	-	-	7	-	-	4	3	-	-	-	-	-	-	-	-	-	-	-	-	-	-	-	-	-	-											
MX123 CONN ASSY 73 CKT GRY OPT9 KEY B/58	345669443	C-HSG-B9	G-CAP-9-P	TPA-B9	RS	LS	MAL	CPA	MSEAL	RSEAL	-	-	-	-	-	-	-	-	-	-	-	-	-	-	-	58	-	-	-	-	-	-	-	-	-	-	-																
											52	51	-	-	-	-	-	-	-	-	-	-	-	41	-	-	38	37	-	-	-	-	-	-	-	-	-	-	-	-	-	-	-	-									
																					-	-	-	-	-	-	-	-	-	-	-	-	-	-	20	19	18	17															
											-	-	-	-	-	-	-	-	-	-	-	-	-	8	-	-	5	-	-	-	-	-	-	-	-	-	-	-	-	-	-	-	1										
MX123 CONN ASSY 73 CKT BLK OPT0 KEY A/50	345669453	C-HSG-A0	G-CAP-0-P	TPA-A0	RS	LS	MAL	CPA	MSEAL	RSEAL	-	-	-	-	68	-	66	65	-	63	62	-	-	-	58	-	-	-	-	-	-	-	-	-	-	-	-	-	-														
											-	-	50	49	-	47	46	-	-	43	42	-	-	-	-	-	-	-	-	-	-	-	-	-	-	-	-	-	-	-	-	-	-	33									
																					32	-	-	-	28	-	-	-	24	23	-	21	20	-	-	-	-	-	-	-	-	-	-	-	-	-	-	-	-	17			
											-	-	-	-	-	-	-	-	-	-	-	-	-	-	-	-	-	-	-	-	-	-	-	-	4	3	-	-	-	-	-	-	-	-									
MX123 CONN ASSY 73 CKT BLK OPT0 KEY A/31	345669503	C-HSG-A0	G-CAP-0-P	TPA-A0	RS	LS	MAL	CPA	MSEAL	RSEAL	-	-	-	-	-	67	66	-	-	-	62	-	60	-	-	-	-	-	55	54	53	-	-	-	-	-	-	-	-														
											-	-	50	-	48	-	46	45	44	43	42	-	40	39	-	-	-	-	-	-	-	-	-	-	-	35	-	-	-	-	-	-	-	-	-								
																					-	-	-	-	-	-	-	26	25	-	-	22	21	-	-	-	-	-	-	-	-	-	-	-	-	-	-	-	-	-	-		
											-	15	14	-	-	-	-	-	-	8	7	6	5	4	3	2	-	-	-	-	-	-	-	-	-	-	-	-	-	-	-	-	-	-	-	-	-						
MX123 CONN ASSY 73 CKT BLK OPT0 KEY A/35	345669543	C-HSG-A0	G-CAP-0-P	TPA-A0	RS	LS	MAL	CPA	MSEAL	RSEAL	72	71	70	69	68	67	66	65	64	63	62	61	60	59	58	57	56	55	54	53	-	-	-	-	-	-	-	-	-	-	-												
											52	51	50	-	-	-	-	-	-	-	42	41	-	39	-	-	-	-	-	-	-	-	-	-	-	35	-	33	-	-	-	-	-	-	-	-	-						
																					-	-	30	-	-	-	26	-	-	-	-	-	21	-	-	-	-	-	-	-	-	-	-	-	-	-	-	-	-	-	-	-	
											-	-	14	13	-	11	-	-	8	7	-	-	4	3	-	-	-	-	-	-	-	-	-	-	-	-	-	-	-	-	-	-	-	-	-	-	-						
MX123 CONN ASSY 73 CKT BLU OPT0 KEY C/55	345669553	C-HSG-C0	G-CAP-0-P	TPA-C0	RS	LS	MAL	CPA	MSEAL	RSEAL	72	71	70	69	68	67	-	-	-	-	-	61	-	-	58	-	-	-	-	-	-	-	-	-	-	-	-	-	-	-	-												
											-	-	-	-	-	-	-	-	-	44	43	-	41	40	-	38	-	-	-	-	-	-	-	-	-	-	-	-	-	-	-	-	-	-	-	-	-	-					
																					-	31	-	-	-	-	-	-	-	-	-	-	-	21	20	-	-	-	-	-	-	-	-	-	-	-	-	-	-	-	-	-	-
											-	-	-	-	-	-	-	-	-	-	-	-	-	-	5	4	-	-	-	-	-	-	-	-	-	-	-	-	-	-	-	-	-	-	-	-	-	-					
MX123 CONN ASSY 73 CKT BLU OPT0 KEY C/47	345669563	C-HSG-C0	G-CAP-0-P	TPA-C0	RS	LS	MAL	CPA	MSEAL	RSEAL	-	-	-	-	68	-	-	-	-	-	63	62	61	-	59	58	57	-	55	-	53	-	-	-	-	-	-	-	-														
											-	-	-	-	-	-	-	-	-	-	43	42	41	-	-	-	-	-	-	-	-	-	-	-	-	36	35	-	33	-	-	-	-	-	-	-	-	-					
																					32	-	-	29	-	27	-	-	-	-	-	-	-	-	-	-	19	18	-	-	-	-	-	-	-	-	-	-	-	-	-	-	-
											-	-	-	-	-	11	10	-	-	-	-	-	-	-	-	-	-	-	-	-	-	-	-	-	3	2	1	-	-	-	-	-	-	-	-	-	-	-					
MX123 CONN ASSY 73 CKT GRY OPT0 KEY B/61	345669573	C-HSG-B0	G-CAP-0-P	TPA-B0	RS	LS	MAL	CPA	MSEAL	RSEAL	-	-	-	-	-	66	-	-	-	-	-	-	-	-	58	-	-	-	-	-	-	-	-	-	-	-	-	-	-	-	-												
											-	-	-	-	-	-	-	-	-	-	-	-	-	41	-	-	38	37	-	-	-	-	-	-	-	-	-	-	-	-	-	-	-	-	-	-	-	-					
																					-	-	-	-	-	-	-	-	-	-	-	-	-	-	-	20	19	18	17														
											-	-	-	-	-	-	-	-	-	-	-	-	-	-	5	-	-	-	-	-	-	-	-	-	-	-	-	-	-	-	-	-	-	-	-	-	-						
MX123 CONN ASSY 73 CKT GRY OPT0 KEY B/65	345669583	C-HSG-B0	G-CAP-0-P	TPA-B0	RS	LS	MAL	CPA	MSEAL	RSEAL	-	-	-	-	-	-	-	-	-	-	-	62	-	-	-	58	-	-	-	-	-	-	-	-	-	-	-	-	-	-	-												
											-	-	-	-	-	-	-	-	-	-	-	-	-	42	-	-	-	-	-	-	-	-	-	-	-	-	-	-	-	-	-	-	-	-	-	-	-	-					
																					-	-	-	-	27	-	25	-	-	-	-	-	-	-	-	-	-	-	-	-	-	-	-	-	-	-	-	-	-	-	-	-	-
											-	-	-	-	-	11	10	-	-	-	-	-	-	-	-	-	-	-	-	-	-	-	-	-	-	-	-	-	-	-	-	-	-	-	-	-	-	-	-				
MX123 CONN ASSY 73 CKT BLK OPT0 KEY A/33	345669593	C-HSG-A0	G-CAP-0-P	TPA-A0	RS	LS	MAL	CPA	MSEAL	RSEAL	-	71	-	69	68	-	66	65	64	-	-	62	61	-	-	-	-	-	-	-	-	54	53	-	-	-	-	-	-	-	-												
											-	-	50	49	-	-	46	45	44	-	-	41	-	-	-	-	-	-	-	-	-	-	-	-	-	-	34	33	-	-	-	-	-	-	-	-	-	-	-	-	-	-	
																					32	31	30	29	-	-	26	25	24	23	22	21	20	19	-	-	-	-	-	-	-	-	-	-	-	-	-	-	-	-	-	-	-
											16	15	14	13	-	-	10	-	8	-	6	5	4	3	-	-	-	-	-	-	-	-	-	-	-	-	-	-	-	-	-	-	-	-	-	-	-	-	-	-			
MX123 CONN ASSY 73 CKT BLK OPT0 KEY A/28	345669603	C-HSG-A0	G-CAP-0-P	TPA-A0	RS	LS	MAL	CPA	MSEAL	RSEAL	72	-	-	-	-	67	-	-	-	-	62	-	60	-	-	-	-	-	55	54	53	-	-	-	-	-	-	-	-	-	-	-											
											-	51	-	-	48	-	46	45	44	43	42	-	40	39	-	-	-	-	-	-	-	-	-	-	-	-	-	-	-	-	-	-	-	-	-	-	-	-	-	-	-		
																					-	-	-	-	-	-	-	-	-	-	-	-	-	-	-	-	-	-	-	-	-	-	-	-	-	-	-	-	-	-	-	-	-
											-	-	-	-	-	-	-	-	-	-	-	-	-	8	7	6	5	4	3	2	-	-	-	-	-	-	-	-	-	-	-	-	-	-	-	-	-	-	-	-	-	-	
MX123 CONN ASSY 73 CKT BLU OPT0 KEY C/45	345669613	C-HSG-C0	G-CAP-0-P	TPA-C0	RS	LS	MAL	CPA	MSEAL	RSEAL	72	-	-	-	68	-	-	-	-	63	62	61	-	59	58	57	-	55	54	53	-	-	-	-	-	-	-	-	-	-	-	-	-										
											-	-	-	-	48	-	-	-	-	43	42	41	-	-	38	37	36	35	-	33	-	-	-	-	-	-	-	-	-	-	-	-	-	-	-	-	-	-	-	-	-		
																					32	-	-	29	-	27	-	-	-	-	-	-	-	-	-	-	-	-	-	-	-	-	-	-	-	-	-	-	-	-	-	-	-
											-	-	-	-	-	11	10	-	-	-	-	-	-	-	-	-	-	-	-	-	-	-	-	-	-	3	2	1	-	-	-	-	-	-	-	-	-	-	-	-	-	-	-

ASSEMBLY DESCRIPTION	ASSEMBLY PART NUMBER	CONNECTOR HOUSING	GROMMET CAP	TPA	RIGHT SLIDE	LEFT SLIDE	MATE ASSIST LEVER	CPA	MAT SEAL	RING SEAL	BLOCKED TERMINALS																			STATUS	COMMENTS	INTEGRAL COMPONENTS SOLD SEPARATELY																
											CAVITY WITH A NUMBER INDICATES BLOCKED TERMINAL POSITION																					DRESS COVER																
											CAVITY WITHOUT A NUMBER INDICATES OPEN TERMINAL POSITION																																					
MX123 CONN ASSY 73 CKT GRY OPT9 KEY B/40	345669623	C-HSG-B9	G-CAP-9-P	TPA-B9	RS	LS	MAL	CPA	MSEAL	RSEAL	-	-	-	69	68	67	66	65	-	-	62	-	60	59	-	-	-	-	54	53	SALEABLE		345650003															
											-	-	-	49	48	47	46	45	44	-	42	41	40	39	-	-	-	35	34	33																		
											-																			19				18	17													
											-																			3				2	1													
MX123 CONN ASSY 73 CKT GRY OPT9 KEY B/60	345669633	C-HSG-B9	G-CAP-9-P	TPA-B9	RS	LS	MAL	CPA	MSEAL	RSEAL	-	-	-	-	-	66	-	-	-	62	-	-	-	58	-	-	-	-	-	SALEABLE		345650003																
											-	-	-	-	-	-	-	-	-	-	41	-	-	38	37	-	-	-	-																			
											-																						19	18	17													
											-																						8	-	5	4	-	-	1									
MX123 CONN ASSY 73 CKT BLK OPT9 KEY A/20	345669643	C-HSG-A9	G-CAP-9-P	TPA-A9	RS	LS	MAL	CPA	MSEAL	RSEAL	72	71	70	-	68	67	66	65	-	-	62	-	60	-	58	57	56	55	54	53	SALEABLE		345650003															
											-	51	50	49	-	47	46	45	-	-	42	-	40	-	-	37	36	-	-	33																		
											-																			32				31	-	-	28	27	26	25	24	23	22	21	20	19	18	17
											-																			16				15	14	13	12	11	-	9	8	7	6	-	4	3	-	1
MX123 CONN ASSY 73 CKT GRY OPT0 KEY B/52	345669663	C-HSG-B0	G-CAP-0-P	TPA-B0	RS	LS	MAL	CPA	MSEAL	RSEAL	-	-	-	-	-	-	-	-	-	62	-	60	59	-	-	-	-	-	SALEABLE		345650003																	
											-	-	-	-	-	-	-	-	-	43	42	41	-	39	38	-	-	-				-																
											-																					31	-	-	-	27	-	-	-	23	22	-	20	19	18	17		
											-																					15	-	-	-	11	-	-	-	7	-	-	4	3	-	-		
MX123 CONN ASSY 73 CKT BLU OPT0 KEY C/46	345669673	C-HSG-C0	G-CAP-0-P	TPA-C0	RS	LS	MAL	CPA	MSEAL	RSEAL	-	-	-	-	68	-	-	-	-	63	62	61	-	59	58	57	-	55	-	53	SALEABLE		345650003															
											-	-	-	-	48	-	-	-	-	43	42	41	-	-	-	37	36	35	-	33																		
											-																			32				-	-	29	-	27	-	-	-	-	-	-	19	18	-	
											-																			-				-	-	-	11	10	-	-	-	-	-	-	3	2	1	
MX123 CONN ASSY 73 CKT GRY OPT0 KEY B/60	345669683	C-HSG-B0	G-CAP-0-P	TPA-B0	RS	LS	MAL	CPA	MSEAL	RSEAL	-	-	-	-	-	-	-	-	-	62	-	-	59	58	-	-	-	-	53	SALEABLE		345650003																
											-	-	-	-	-	-	-	-	-	42	-	-	39	-	-	-	-	-	-				34	-														
											-																						27	-	25	-	-	-	-	-	-	-	-	-	-	18	-	
											-																						11	10	-	-	-	-	-	-	-	-	-	-	-	2	-	
MX123 CONN ASSY 73 CKT BLK OPT0 KEY A/32	345669693	C-HSG-A0	G-CAP-0-P	TPA-A0	RS	LS	MAL	CPA	MSEAL	RSEAL	-	71	-	69	68	-	66	65	64	-	62	61	-	-	-	-	-	54	-	SALEABLE		345650003																
											-	-	50	49	-	-	46	45	44	-	-	41	-	-	-	-	-	-	-				34	-														
											-																						32	31	30	29	-	27	26	25	24	23	22	21	20	19	-	-
											-																						16	15	14	13	-	-	10	9	8	7	6	5	4	3	-	-
MX123 CONN ASSY 73 CKT BLK OPT0 KEY A/30	345669703	C-HSG-A0	G-CAP-0-P	TPA-A0	RS	LS	MAL	CPA	MSEAL	RSEAL	-	-	-	-	-	67	66	-	-	-	62	-	60	-	58	-	-	55	54	53	SALEABLE		345650003															
											-	-	-	-	48	-	46	45	44	43	42	-	40	39	-	-	-	35	-	-																		
											-																			26				25	-	-	22	21	-	-	-	17						
											-																			15				14	-	-	-	-	-	8	7	6	5	4	-	-	-	
MX123 CONN ASSY 73 CKT GRY OPT0 KEY B/45	345669713	C-HSG-B0	G-CAP-0-P	TPA-B0	RS	LS	MAL	CPA	MSEAL	RSEAL	72	71	70	69	-	-	-	-	-	63	62	61	60	-	-	-	56	-	-	-	SALEABLE		345650003															
											52	-	-	-	-	47	-	-	44	-	-	41	-	-	-	-	36	-	34	-																		
											-																			-				-	-	29	28	27	-	25	-	-	-	21	-	19	18	17
											-																			15				14	-	12	11	-	-	-	-	-	-	-	-	-	-	1
MX123 CONN ASSY 73 CKT GRY OPT0 KEY B/47	345669723	C-HSG-B0	G-CAP-0-P	TPA-B0	RS	LS	MAL	CPA	MSEAL	RSEAL	-	-	-	-	-	-	-	-	-	62	-	60	59	-	-	-	-	54	53	SALEABLE		345650003																
											-	-	-	-	-	-	-	-	44	-	42	41	-	39	38	-	-	35	34				33															
											-																						31	-	-	-	27	-	-	-	23	22	-	20	-	18	17	
											-																						15	-	-	-	-	-	-	-	7	-	-	4	3	2	1	
MX123 CONN ASSY 73 CKT BLK OPT0 KEY A/32	345669733	C-HSG-A0	G-CAP-0-P	TPA-A0	RS	LS	MAL	CPA	MSEAL	RSEAL	-	-	-	69	68	-	-	65	64	63	62	61	60	-	58	57	56	55	54	-	SALEABLE		345650003															
											-	-	-	49	48	-	-	45	44	43	42	41	40	-	38	-	36	-	34	-																		
											-																			32				31	-	-	-	-	25	24	23	22	-	20	19	18	-	
											-																			15				14	-	12	-	-	9	-	-	6	5	4	-	2	-	
MX123 CONN ASSY 73 CKT GRY OPT0 KEY B/57	345669743	C-HSG-B0	G-CAP-0-P	TPA-B0	RS	LS	MAL	CPA	MSEAL	RSEAL	-	-	-	-	-	-	66	-	-	-	62	-	-	-	58	-	-	-	-	SALEABLE		345650003																
											52	51	-	-	-	-	-	45	-	-	-	41	-	-	38	37	-	-	-				-															
											-																						-	-	-	-	-	-	-	-	-	-	-	20	19	18	17	
											-																						-	-	-	-	-	-	-	-	-	-	-	5	4	-	-	1



ASSEMBLY DESCRIPTION	ASSEMBLY PART NUMBER	CONNECTOR HOUSING	GROMMET CAP	TPA	RIGHT SLIDE	LEFT SLIDE	MATE ASSIST LEVER	CPA	MAT SEAL	RING SEAL	BLOCKED TERMINALS																				STATUS	COMMENTS	INTEGRAL COMPONENTS SOLD SEPARATELY
											CAVITY WITH A NUMBER INDICATES BLOCKED TERMINAL POSITION																						DRESS COVER
											CAVITY WITHOUT A NUMBER INDICATES OPEN TERMINAL POSITION																						
MX123 CONN ASSY 73 CKT BLU OPT0 KEY C/45	345669753	C-HSG-C0	G-CAP-0-P	TPA-C0	RS	LS	MAL	CPA	MSEAL	RSEAL	-	-	-	-	68	-	-	-	-	63	62	61	-	59	58	57	-	55	-	53	SALEABLE		345650003
											-	-	-	-	48	-	-	-	-	43	-	-	-	-	38	37	36	35	34	33			
											-	-	-	-	32	-	-	29	-	27	-	-	-	-	-	-	-	19	18	17			
											-	-	-	-	-	-	-	-	11	10	-	-	-	-	-	-	-	3	2	1			
MX123 CONN ASSY 73 CKT BLK OPT0 KEY A/33	345669773	C-HSG-A0	G-CAP-0-P	TPA-A0	RS	LS	MAL	CPA	MSEAL	RSEAL	-	-	-	69	68	-	-	65	64	63	62	61	60	-	58	57	56	55	54	-	SALEABLE		345650003
											-	-	-	49	48	-	-	45	44	43	42	41	40	-	38	-	36	-	34	-			
											-	-	-	32	31	-	-	-	-	-	-	25	24	23	22	-	20	19	18	-			
											-	-	15	14	-	-	-	-	-	9	-	-	6	5	4	-	2	-	-	-			
MX123 CONN ASSY 73 CKT GRY OPT0 KEY B/58	345669783	C-HSG-B0	G-CAP-0-P	TPA-B0	RS	LS	MAL	CPA	MSEAL	RSEAL	-	-	-	-	-	66	-	-	-	-	-	-	-	58	-	-	-	-	-	SALEABLE		345650003	
											52	51	-	-	-	-	45	-	-	-	41	-	-	38	37	-	-	-	-				
											-	-	-	-	-	-	-	-	-	-	-	-	-	-	-	20	19	18	17				
											-	-	-	-	-	-	-	-	-	-	-	-	-	-	5	4	-	-	1				
MX123 CONN ASSY 73 CKT GRY OPT9 KEY B/47	345669793	C-HSG-B9	G-CAP-9-P	TPA-B9	RS	LS	MAL	CPA	MSEAL	RSEAL	-	-	70	-	-	66	-	-	-	62	-	60	59	-	-	-	-	-	-	SALEABLE		345650003	
											-	-	-	-	-	46	45	-	-	42	-	40	39	-	-	-	35	34	33				
											-	-	-	32	31	30	-	-	27	-	-	-	-	-	21	-	19	18	17				
											-	-	15	-	-	-	11	-	-	-	-	-	-	-	-	3	2	1					
MX123 CONN ASSY 73 CKT BLK OPT0 KEY A/32	345669803	C-HSG-A0	G-CAP-0-P	TPA-A0	RS	LS	MAL	CPA	MSEAL	RSEAL	-	-	-	-	67	66	-	-	-	62	-	60	-	58	-	-	55	54	53	SALEABLE		345650003	
											-	-	-	-	48	-	46	45	44	43	42	-	40	39	-	-	-	35	-				
											-	-	-	-	-	-	-	-	-	26	25	-	-	22	21	-	-	-	17				
											-	-	15	14	-	-	-	-	-	8	7	6	5	4	3	2	-	-	-				
MX123 CONN ASSY 73 CKT BLK OPT9 KEY A/42	345669813	C-HSG-A9	G-CAP-9-P	TPA-A9	RS	LS	MAL	CPA	MSEAL	RSEAL	-	-	-	69	68	-	-	-	-	-	-	60	-	58	57	56	-	-	-	SALEABLE		345650003	
											-	-	50	49	48	-	-	-	-	-	-	40	-	38	-	-	-	-	-				
											-	-	-	32	31	-	-	28	27	26	-	24	23	22	21	20	19	-	-				
											-	-	16	15	14	-	12	-	10	9	-	-	6	5	-	-	2	-	-				
MX123 CONN ASSY 73 CKT BLK OPT0 KEY A/60	345669823	C-HSG-A0	G-CAP-0-P	TPA-A0	RS	LS	MAL	CPA	MSEAL	RSEAL	-	-	-	-	-	66	-	-	-	62	-	-	-	58	-	-	-	-	-	SALEABLE		345650003	
											-	-	-	-	-	-	-	-	-	-	41	-	-	38	37	-	-	-	-				
											-	-	-	-	-	-	-	-	-	-	-	-	-	-	-	20	19	18	17				
											-	-	-	-	-	-	-	-	-	-	-	-	-	-	5	4	-	-	1				
MX123 CONN ASSY 73 CKT GRY OPT9 KEY B/51	345669833	C-HSG-B9	G-CAP-9-P	TPA-B9	RS	LS	MAL	CPA	MSEAL	RSEAL	-	-	-	-	-	66	65	-	-	62	-	60	59	-	-	-	-	-	SALEABLE		345650003		
											-	-	-	-	-	46	45	-	-	42	-	40	39	-	-	-	35	34				-	
											-	-	-	31	-	-	-	27	-	-	-	-	-	-	-	-	19	18				17	
											-	-	15	-	-	-	11	-	-	-	-	-	-	-	-	3	2	1					
MX123 CONN ASSY 73 CKT BLK OPT9 KEY A/41	345669843	C-HSG-A9	G-CAP-9-P	TPA-A9	RS	LS	MAL	CPA	MSEAL	RSEAL	-	-	-	69	68	-	-	-	-	-	-	60	-	58	57	56	-	-	-	SALEABLE		345650003	
											-	-	-	49	48	-	-	-	-	-	-	-	38	-	-	-	-	-	-				
											-	-	-	32	31	-	-	28	27	26	25	24	23	22	21	20	19	-	-				
											-	-	16	15	14	-	12	11	10	9	-	-	6	5	4	-	2	-	-				
MX123 CONN ASSY 73 CKT GRY OPT9 KEY B/62	345669853	C-HSG-B9	G-CAP-9-P	TPA-B9	RS	LS	MAL	CPA	MSEAL	RSEAL	-	-	-	-	-	66	-	-	-	-	-	-	-	-	-	-	-	-	SALEABLE		345650003		
											-	-	-	-	-	-	-	-	-	-	41	-	-	38	37	-	-	-				-	
											-	-	-	-	-	-	-	-	-	-	-	-	-	-	-	-	19	18				17	
											-	-	-	-	-	-	-	-	-	-	8	-	-	5	4	-	-	1					
MX123 CONN ASSY 73 CKT GRY OPT0 KEY B/61	345669863	C-HSG-B0	G-CAP-0-P	TPA-B0	RS	LS	MAL	CPA	MSEAL	RSEAL	-	-	-	-	-	66	-	-	-	-	-	-	-	58	-	-	-	-	-	SALEABLE		345650003	
											-	-	-	-	-	-	-	-	-	-	41	-	-	38	37	-	-	-	-				
											-	-	-	-	-	-	-	-	-	-	-	-	-	-	-	20	19	18	17				
											-	-	-	-	-	-	-	-	-	-	-	-	-	-	5	4	-	-	1				
MX123 CONN ASSY 73 CKT BLK OPT0 KEY A/33	345669903	C-HSG-A0	G-CAP-0-P	TPA-A0	RS	LS	MAL	CPA	MSEAL	RSEAL	72	-	70	-	-	67	66	-	-	62	-	60	-	-	-	-	55	54	53	SALEABLE		345650003	
											-	51	-	-	48	-	46	45	44	43	42	-	40	39	-	-	-	35	-				
											-	-	-	-	-	-	-	-	-	26	25	-	-	22	21	-	-	-	-				
											-	-	15	14	-	-	-	-	-	8	7	6	5	4	3	2	-	-	-				

ASSEMBLY DESCRIPTION	ASSEMBLY PART NUMBER	CONNECTOR HOUSING	GROMMET CAP	TPA	RIGHT SLIDE	LEFT SLIDE	MATE ASSIST LEVER	CPA	MAT SEAL	RING SEAL	BLOCKED TERMINALS																				STATUS	COMMENTS	INTEGRAL COMPONENTS SOLD SEPARATELY
											CAVITY WITH A NUMBER INDICATES BLOCKED TERMINAL POSITION																						DRESS COVER
											CAVITY WITHOUT A NUMBER INDICATES OPEN TERMINAL POSITION																						
MX123 CONN ASSY 73 CKT BLK OPT0 KEY A/41	345669913	C-HSG-A0	G-CAP-0-P	TPA-A0	RS	LS	MAL	CPA	MSEAL	RSEAL	-	-	70	69	-	-	-	-	-	63	62	61	60	-	58	57	56	55	54	53	SALEABLE		345650003
											52	51	-	49	-	-	-	-	44	43	42	41	-	-	-	37	36	35	34	33			
															32	-	-	29	28	27	26	-	-	23	-	-	-	19	18	-			
															16	15	-	13	12	11	10	-	8	-	-	-	-	3	-	-			
MX123 CONN ASSY 73 CKT BLK OPT0 KEY A/41	345669923	C-HSG-A0	G-CAP-0-P	TPA-A0	RS	LS	MAL	CPA	MSEAL	RSEAL	-	-	70	69	68	-	-	65	64	63	-	-	-	59	58	-	56	-	-	53	SALEABLE		345650003
											52	-	50	49	-	47	-	-	-	-	-	41	40	-	38	37	36	-	34	-			
															32	31	30	29	28	27	-	-	-	23	22	21	20	19	18	17			
															16	-	-	13	12	11	10	9	-	-	-	-	-	-	-	-			
MX123 CONN ASSY 73 CKT GRY OPT0 KEY B/51	345669933	C-HSG-B0	G-CAP-0-P	TPA-B0	RS	LS	MAL	CPA	MSEAL	RSEAL	72	71	70	-	68	67	66	-	-	-	62	61	60	59	58	57	56	55	54	53	SALEABLE		345650003
											52	51	50	-	48	47	46	-	-	-	42	41	40	39	38	37	36	35	34	33			
															32	31	30	29	28	27	26	25	24	23	-	-	-	-	-	-			
															16	15	14	13	-	-	10	9	8	7	-	-	-	-	-	-			
MX123 CONN ASSY 73 CKT BLU OPT0 KEY C/38	345669943	C-HSG-C0	G-CAP-0-P	TPA-C0	RS	LS	MAL	CPA	MSEAL	RSEAL	72	-	70	-	68	67	66	-	-	63	62	-	-	59	-	57	-	-	-	53	SALEABLE		345650003
											52	51	-	-	48	47	46	-	44	-	42	-	40	39	38	-	-	-	34	33			
															32	-	30	-	-	27	26	25	-	-	22	21	20	-	-	-			
															-	15	14	-	-	-	10	9	-	-	6	5	4	-	-	-			
MX123 CONN ASSY 73 CKT BLK OPT0 KEY A/51	345669953	C-HSG-A0	G-CAP-0-P	TPA-A0	RS	LS	MAL	CPA	MSEAL	RSEAL	72	71	70	69	68	-	66	65	64	63	-	61	-	59	58	-	56	-	54	53	SALEABLE		345650003
											52	-	50	49	-	47	-	-	-	-	42	41	40	-	38	37	36	-	34	33			
															32	31	30	29	28	27	26	-	24	23	22	21	20	19	18	17			
															16	-	-	13	12	11	10	9	8	-	-	-	-	-	-	1			
MX123 CONN ASSY 73 CKT GRY OPT0 KEY B/24	345669963	C-HSG-B0	G-CAP-0-P	TPA-B0	RS	LS	MAL	CPA	MSEAL	RSEAL	72	71	70	69	-	-	66	65	-	-	62	61	60	59	-	57	56	-	54	53	SALEABLE		345650003
											52	51	50	49	48	47	-	-	44	-	42	41	40	39	-	37	36	-	34	33			
															-	31	-	-	-	-	26	25	24	23	-	21	20	-	18	-			
															16	-	14	-	12	11	-	9	8	7	6	5	4	3	2	-			
MX123 CONN ASSY 73 CKT GRY OPT0 KEY B/19	345669973	C-HSG-B0	G-CAP-0-P	TPA-B0	RS	LS	MAL	CPA	MSEAL	RSEAL	72	71	70	69	-	-	66	65	-	-	62	61	60	59	-	57	56	55	54	53	SALEABLE		345650003
											52	51	50	49	48	47	-	-	44	-	42	41	40	39	-	37	36	35	34	33			
															-	31	-	-	-	-	26	25	24	23	-	21	20	19	18	-			
															16	-	14	-	12	11	-	9	8	7	6	5	4	3	2	1			

MX123 52/66/73/80-WAY RECEPTACLE ASSY SEALED PIN OUT SHEET

UNCHECKED cavity number(s) are OPEN																																			
72	71	70	69	68	67	66	65	64	63	62	61	60	59	58	57	56	55	54	53																
<input checked="" type="checkbox"/>	<input checked="" type="checkbox"/>	<input checked="" type="checkbox"/>	<input type="checkbox"/>	<input type="checkbox"/>	<input type="checkbox"/>	<input checked="" type="checkbox"/>	<input type="checkbox"/>	<input type="checkbox"/>	<input checked="" type="checkbox"/>	<input checked="" type="checkbox"/>	<input checked="" type="checkbox"/>	<input checked="" type="checkbox"/>	<input checked="" type="checkbox"/>	<input type="checkbox"/>	<input checked="" type="checkbox"/>	<input checked="" type="checkbox"/>	<input checked="" type="checkbox"/>	<input checked="" type="checkbox"/>	<input checked="" type="checkbox"/>	<input checked="" type="checkbox"/>	<input checked="" type="checkbox"/>	<input checked="" type="checkbox"/>													
52	51	50	49	48	47	46	45	44	43	42	41	40	39	38	37	36	35	34	33																
<input checked="" type="checkbox"/>	<input checked="" type="checkbox"/>	<input checked="" type="checkbox"/>	<input checked="" type="checkbox"/>	<input checked="" type="checkbox"/>	<input checked="" type="checkbox"/>	<input checked="" type="checkbox"/>	<input type="checkbox"/>	<input type="checkbox"/>	<input checked="" type="checkbox"/>	<input checked="" type="checkbox"/>	<input checked="" type="checkbox"/>	<input checked="" type="checkbox"/>	<input checked="" type="checkbox"/>	<input checked="" type="checkbox"/>	<input checked="" type="checkbox"/>	<input checked="" type="checkbox"/>	<input checked="" type="checkbox"/>	<input checked="" type="checkbox"/>	<input checked="" type="checkbox"/>	<input checked="" type="checkbox"/>	<input checked="" type="checkbox"/>	<input checked="" type="checkbox"/>													
												32	31	30	29	28	27	26	25	24	23	22	21	20	19	18	17								
												<input type="checkbox"/>	<input checked="" type="checkbox"/>	<input type="checkbox"/>	<input type="checkbox"/>	<input type="checkbox"/>	<input checked="" type="checkbox"/>	<input checked="" type="checkbox"/>	<input checked="" type="checkbox"/>	<input checked="" type="checkbox"/>	<input checked="" type="checkbox"/>	<input checked="" type="checkbox"/>	<input checked="" type="checkbox"/>	<input checked="" type="checkbox"/>	<input checked="" type="checkbox"/>	<input checked="" type="checkbox"/>	<input checked="" type="checkbox"/>	<input checked="" type="checkbox"/>	<input checked="" type="checkbox"/>	<input checked="" type="checkbox"/>	<input checked="" type="checkbox"/>	<input checked="" type="checkbox"/>	<input checked="" type="checkbox"/>		
												<input checked="" type="checkbox"/>	16	15	14	13	12	11	10	9	8	7	6	5	4	3	2	1							
												<input checked="" type="checkbox"/>	<input type="checkbox"/>	<input checked="" type="checkbox"/>	<input type="checkbox"/>	<input checked="" type="checkbox"/>	<input checked="" type="checkbox"/>	<input type="checkbox"/>	<input checked="" type="checkbox"/>	<input checked="" type="checkbox"/>	<input checked="" type="checkbox"/>	<input checked="" type="checkbox"/>	<input checked="" type="checkbox"/>	<input checked="" type="checkbox"/>	<input checked="" type="checkbox"/>	<input checked="" type="checkbox"/>	<input checked="" type="checkbox"/>	<input checked="" type="checkbox"/>	<input checked="" type="checkbox"/>	<input checked="" type="checkbox"/>	<input checked="" type="checkbox"/>	<input checked="" type="checkbox"/>	<input checked="" type="checkbox"/>		

FOR ADDITIONAL INFORMATION SEE SD-34566-001

STATUS	GM PART #	HRNS CONN ASSY				TPA	GROMMET CAP																							
		MATERIAL/PART	WIRE DRESS OPTION	KEY OPTION	COLOR OPTION	NUMBERS INDICATE CAVITIES OPEN FOR CIRCUITS																								
		NUMBER																												
SALEABLE	12672860	34566-0103	0	A	BLACK																									
SALEABLE	12672862	34566-0203	0	B	ST GR	72	71	70	69	68	67	66	65	64	63	62	61	60	59	58	57	56	55	54	53					
SALEABLE	12672864	34566-0303	0	C	BLUE	52	51	50	49	48	47	46	45	44	43	42	41	40	39	38	37	36	35	34	33					
TOOL DES. REL.	12615660	34566-0403	0	D	BROWN	73				32	31	30	29	28	27	26	25	24	23	22	21	20	19	18	17					
TOOL DES. REL.	12615661	34566-0503	0	E	GREEN	73				16	15	14	13	12	11	10	9	8	7	6	5	4	3	2	1					
SALEABLE	12672866	34566-0603	0	F	NATURAL																									
SALEABLE	12672872	34566-0703	0	G	BLUE																									
SALEABLE	12672870	34566-0803	0	H	ST GR	80	79	78	77	76	75	74	73	72	71	70	69	68	67	66	65	64	63	62	61					
TOOL DES. REL.	12672868	34566-0903	0	J	BLACK	60	61	62	63	64	65	66	67	68	69	70	71	72	73	74	75	76	77	78	79					
TOOL DES. REL.	TBD	34566-1003	0	K	BROWN	40	39	38	37	36	35	34	33	32	31	30	29	28	27	26	25	24	23	22	21					
TOOL DES. REL.	TBD	34566-1103	0	L	GREEN	20	19	18	17	16	15	14	13	12	11	10	9	8	7	6	5	4	3	2	1					
TOOL DES. REL.	TBD	34566-1203	0	M	NATURAL																									
SALEABLE	12672861	34566-1303	9	A	BLACK																									
SALEABLE	12672863	34566-1403	9	B	ST GR	72	71	70	69	68	67	66	65	64	63	62	61	60	59	58	57	56	55	54	53					
SALEABLE	12672865	34566-1503	9	C	BLUE	52	51	50	49	48	47	46	45	44	43	42	41	40	39	38	37	36	35	34	33					
TOOL DES. REL.	12615663	34566-1603	9	D	BROWN	73				32	31	30	29	28	27	26	25	24	23	22	21	20	19	18	17					
TOOL DES. REL.	12615664	34566-1703	9	E	GREEN	73				16	15	14	13	12	11	10	9	8	7	6	5	4	3	2	1					
SALEABLE	12672867	34566-1803	9	F	NATURAL																									
SALEABLE	12672873	34566-1903	9	G	BLUE																									
SALEABLE	12672871	34566-2003	9	H	ST GR	80	79	78	77	76	75	74	73	72	71	70	69	68	67	66	65	64	63	62	61					
TOOL DES. REL.	12672869	34566-2103	9	J	BLACK	60	61	62	63	64	65	66	67	68	69	70	71	72	73	74	75	76	77	78	79					
TOOL DES. REL.	TBD	34566-2203	9	K	BROWN	40	39	38	37	36	35	34	33	32	31	30	29	28	27	26	25	24	23	22	21					
TOOL DES. REL.	TBD	34566-2303	9	L	GREEN	20	19	18	17	16	15	14	13	12	11	10	9	8	7	6	5	4	3	2	1					
TOOL DES. REL.	TBD	34566-2403	9	M	NATURAL																									
SALEABLE	12672856	34822-0013	0	A	BLACK	64	63	62	61	60	59	58	57	56	55	54	53	52	51	50	49	66								
						48	47	46	45	44	43	42	41	40	39	38	37	36	35	34	33									
SALEABLE	12672858	34822-0033	0	C	BLUE	65				32	31	30	29	28	27	26	25	24	23	22	21	20	19	18	17					
						65				16	15	14	13	12	11	10	9	8	7	6	5	4	3	2	1					
SALEABLE	12672857	34822-0023	9	A	BLACK	64	63	62	61	60	59	58	57	56	55	54	53	52	51	50	49	66								
						48	47	46	45	44	43	42	41	40	39	38	37	36	35	34	33									
SALEABLE	12672859	34822-0043	9	C	BLUE	65				32	31	30	29	28	27	26	25	24	23	22	21	20	19	18	17					
						65				16	15	14	13	12	11	10	9	8	7	6	5	4	3	2	1					

MX123 52/66/73/80-WAY RECEPTACLE ASSY SEALED PIN OUT SHEET

STATUS	GM PART #	HRNS CONN ASSY			TPA	GROMMET CAP																																																																						
		MATERIAL/PART	WIRE DRESS OPTION	KEY OPTION	COLOR	NUMBERS INDICATE CAVITIES OPEN FOR CIRCUITS																																																																						
		NUMBER		▽ Fp	▽ Fp	▽ Fp																																																																						
TOOL DES. REL.	12672852	160094-0001	0	A	BLACK	<table border="1"> <tr> <td>52</td> <td>14</td><td>13</td><td>12</td><td>11</td><td>10</td><td>9</td><td>8</td><td>7</td><td>6</td><td>5</td><td>4</td><td>3</td> <td>2</td> </tr> <tr> <td></td> <td>26</td><td>25</td><td>24</td><td>23</td><td>22</td><td>21</td><td>20</td><td>19</td><td>18</td><td>17</td><td>16</td><td>15</td> <td></td> </tr> <tr> <td>51</td> <td>38</td><td>37</td><td>36</td><td>35</td><td>34</td><td>33</td><td>32</td><td>31</td><td>30</td><td>29</td><td>28</td><td>27</td> <td>1</td> </tr> <tr> <td></td> <td>50</td><td>49</td><td>48</td><td>47</td><td>46</td><td>45</td><td>44</td><td>43</td><td>42</td><td>41</td><td>40</td><td>39</td> <td></td> </tr> </table>															52	14	13	12	11	10	9	8	7	6	5	4	3	2		26	25	24	23	22	21	20	19	18	17	16	15		51	38	37	36	35	34	33	32	31	30	29	28	27	1		50	49	48	47	46	45	44	43	42	41	40	39	
52	14	13	12	11	10																9	8	7	6	5	4	3	2																																																
	26	25	24	23	22																21	20	19	18	17	16	15																																																	
51	38	37	36	35	34																33	32	31	30	29	28	27	1																																																
	50	49	48	47	46																45	44	43	42	41	40	39																																																	
TOOL DES. REL.	N/A	160094-0002	0	B	ST GRY																																																																							
TOOL DES. REL.	12672854	160094-0003	0	C	BLUE																																																																							
TOOL DES. REL.	N/A	160094-0004	0	D	BROWN																																																																							
TOOL DES. REL.	N/A	160094-0005	0	E	GREEN																																																																							
TOOL DES. REL.	N/A	160094-0006	0	F	NATURAL																																																																							
TOOL DES. REL.	12672853	160094-0013	9	A	BLACK	<table border="1"> <tr> <td>52</td> <td>14</td><td>13</td><td>12</td><td>11</td><td>10</td><td>9</td><td>8</td><td>7</td><td>6</td><td>5</td><td>4</td><td>3</td> <td>2</td> </tr> <tr> <td></td> <td>26</td><td>25</td><td>24</td><td>23</td><td>22</td><td>21</td><td>20</td><td>19</td><td>18</td><td>17</td><td>16</td><td>15</td> <td></td> </tr> <tr> <td>51</td> <td>38</td><td>37</td><td>36</td><td>35</td><td>34</td><td>33</td><td>32</td><td>31</td><td>30</td><td>29</td><td>28</td><td>27</td> <td>1</td> </tr> <tr> <td></td> <td>50</td><td>49</td><td>48</td><td>47</td><td>46</td><td>45</td><td>44</td><td>43</td><td>42</td><td>41</td><td>40</td><td>39</td> <td></td> </tr> </table>															52	14	13	12	11	10	9	8	7	6	5	4	3	2		26	25	24	23	22	21	20	19	18	17	16	15		51	38	37	36	35	34	33	32	31	30	29	28	27	1		50	49	48	47	46	45	44	43	42	41	40	39	
52	14	13	12	11	10																9	8	7	6	5	4	3	2																																																
	26	25	24	23	22																21	20	19	18	17	16	15																																																	
51	38	37	36	35	34																33	32	31	30	29	28	27	1																																																
	50	49	48	47	46																45	44	43	42	41	40	39																																																	
TOOL DES. REL.	N/A	160094-0014	9	B	ST GRY																																																																							
TOOL DES. REL.	12672855	160094-0015	9	C	BLUE																																																																							
TOOL DES. REL.	N/A	160094-0016	9	D	BROWN																																																																							
TOOL DES. REL.	N/A	160094-0017	9	E	GREEN																																																																							
TOOL DES. REL.	N/A	160094-0018	9	F	NATURAL																																																																							
NA	NA	NA	NA	NA	NA	<table border="1"> <tr> <td colspan="15">73</td> </tr> </table>															73																																																							
73																																																																												
SALEABLE	NOT APPLICABLE	34566-2503	0	A	BLACK	72	71		69	68	67	66		64	63	62		59			56			53																																																				
								50		48		46		44	43	42		39		36	35		33																																																					
						73				32		30	29		27			23		20			17																																																					
											14	13	12	11		9	8			5	4	3	2	1																																																				
SALEABLE	NOT APPLICABLE	34566-2603	0	B	ST GRY				49	48	47			44				39		37		35	33																																																					
						73						29	28					23		21																																																								
																		7																																																										
SALEABLE	NOT APPLICABLE	34566-2703	0	B	ST GRY				49	48	47			44				39		37		35	33																																																					
						73						29	28					23		21																																																								
																		7																																																										
SALEABLE	TBD	34566-2803	0	H	ST GRY																																																																							
SALEABLE	NOT APPLICABLE	34566-2903	0	A	BLACK	72	71	70	69	68	67	66		64	63	62	61		59			55	54	53																																																				
						52	51		49	48				44	43	42	41		39			35	34	33																																																				
						73				32	31		29		27		25		23			19	18	17																																																				
											16		13	12	11		9	8	7	6	5	4	3	2	1																																																			
SALEABLE	NOT APPLICABLE	34566-3003	0	A	BLACK	72	71	70	69	68	67	66		64	63	62		60	59	58	57	56	55	54	53																																																			
						52	51	50	49	48	47	46		44	43	42	41	40	39	38	37	36	35	34	33																																																			
						73				32	31	30	29	28	27		25	24	23	22	21	20	19	18	17																																																			
											16	15	14	13	12	11		9	8	7	6	5	4	3	2	1																																																		
SALEABLE	NOT APPLICABLE	34566-3103	0	B	ST GRY				49	48		46				62		59		57		55	53																																																					
						73						29			26			23		21			18																																																					
											15					9	8	7			4	3																																																						
SALEABLE	NOT APPLICABLE	34566-3203	0	B	ST GRY			50	49	48		46					60	59	58	57	56	55		53																																																				
						73						29						23	22	21			35	34	33																																																			
											16	15	14					7	6	5	4	3																																																						
SALEABLE	NOT APPLICABLE	34566-3303	0	B	ST GRY			50	49	48		46						59	58	57	56	55		53																																																				
						73						29						23	22	21			35	34	33																																																			
											16	15	14					7	6	5	4	3																																																						
SALEABLE	NOT APPLICABLE	34566-3403				SEE 34566-3003																																																																						
SALEABLE	NOT APPLICABLE	34566-3503	0	A	BLACK	72	71		69	68	67	66		64	63	62		60	59																																																									
						52			49	48		46		44	43	42		40	39				35	33																																																				
						73				32			29		27			24	23					17																																																				
											14	13	12	11		9	8	7	6	5	4	3	2	1																																																				

MX123 52/66/73/80-WAY RECEPTACLE ASSY SEALED PIN OUT SHEET

STATUS	GM PART #	HRNS CONN ASSY			TPA	GROMMET CAP																						
		MATERIAL/PART	WIRE DRESS OPTION	KEY OPTION Fp	COLOR OPTION Fp	NUMBERS INDICATE CAVITIES OPEN FOR CIRCUITS																						
		NUMBER				Fp																						
SALEABLE	NOT APPLICABLE	34566-3603	0	B	ST GRAY					68				64					59		57		55		53			
								49	48		46							39		37				35				33
						73				32			29							23		21						18
SALEABLE	NOT APPLICABLE	34566-3703	0	A	BLACK					68	67	66	65					59				55		53				
								49	48	47		44						39					35				33	
						73							29	28					23									
SALEABLE	NOT APPLICABLE	34566-3803	0	A	BLACK	72	71		69	68	67	66		64	63	62		59				56				53		
								50		48		46		44	43	42		39					36	35				33
						73				32			30	29			27			23					20			
SALEABLE	NOT APPLICABLE	34566-3903	0	B	ST GRAY									65					59		57		55		53			
								49	48		46		44					39		37				35				33
						73							29	28					24	23		21						
SALEABLE	NOT APPLICABLE	34566-4003	0	B	ST GRAY						67	66		64	63			59		57		55		53				
								50	49	48				44	43			39		37				35				33
						73				32			29			27			24	23		21						
SALEABLE	NOT APPLICABLE	34566-4103	0	A	BLACK	72	71		69	68	67	66		64	63	62		59				56				53		
						52			49	48		46	45	44	43	42		40	39					35				33
						73				32			29			27	26		24	23								
SALEABLE	NOT APPLICABLE	34566-4203	0	B	ST GRAY									64				59		57		55		53				
								50	49	48		46						39		37				35				33
						73				32			29					24	23		21							18
SALEABLE	NOT APPLICABLE	34566-4303	0	A	BLACK			70	69	68	67		65	64	63		61		59	58	57	56				53		
								50	49	48	47					41			38	37	36				34	33		
						73				32	31	30	29	28	27			24	23					20	19	18		
SALEABLE	NOT APPLICABLE	34566-4403	0	A	BLACK	72	71	70	69	68	67	66	65	64	63		61		59	58	57	56				53		
								50	49	48	47					41			38	37	36				34	33		
						73				32	31	30	29	28	27			24	23					20	19	18		
SALEABLE	NOT APPLICABLE	34566-4503	0	H	ST GRAY		79	78	77	76	75	74	73	72	71	70	69	68		66	65	64	63			61		
						60	59	58	57	56				53			50							44	43			41
						40	39	38	37		35	34	33	32			30	29		27	26				24	23	22	21
SALEABLE	NOT APPLICABLE	34566-4603	0	H	ST GRAY		79	78	77	76	75	74	73	72	71	70	69	68		66	65	64	63			61		
						60	59	58	57	56				53			50							44	43			41
						40	39	38	37		35	34	33	32			30	29		27	26						22	21
SALEABLE	NOT APPLICABLE	34566-4703	0	B	ST GRAY						67	66	65	64				59	58	57		55		53				
								49	48	47		44						39	38	37				35				33
						73							29						23	22	21							
SALEABLE	NOT APPLICABLE	34566-4803	0	A	BLACK	72	71		69	68	67	66		64	63	62	61		59							53		
										48				44		42	41		39								35	33
						73				32			29			27		25		23								
SALEABLE	NOT APPLICABLE	34566-4903	0	A	BLACK	72	71	70	69	68		66	65	64	63	62	61		59	58	57	56	55			53		
						52	51	50	49		47			44	43		41			38	37	36	35	34			33	
						73				32	31	30	29	28	27			24	23						20	19	18	17
SALEABLE	NOT APPLICABLE	34566-5003	0	H	ST GRAY		79	78	77	76	75	74	73	72	71	70	69	68		66	65	64	63			61		
						60	59	58	57	56				53	52		50							44	43			41
						40	39	38	37		35	34	33	32			30	29		27	26						22	21
SALEABLE	NOT APPLICABLE	34566-5003	0	H	ST GRAY		79	78	77	76	75	74	73	72	71	70	69	68		66	65	64	63			61		
						60	59	58	57	56				53	52		50							44	43			41
						40	39	38	37		35	34	33	32			30	29		27	26						22	21

MX123 52/66/73/80-WAY RECEPTACLE ASSY SEALED PIN OUT SHEET

STATUS	GM PART #	HRNS CONN ASSY			TPA	GROMMET CAP																								
		MATERIAL/PART	WIRE DRESS OPTION	KEY OPTION Fp	COLOR OPTION Fp	NUMBERS INDICATE CAVITIES OPEN FOR CIRCUITS																								
		NUMBER				Fp																								
SALEABLE	NOT APPLICABLE	34566-5103	0	B	ST GR Y							67	66	65						59		57		55		53				
								49	48	47	46		44										39		37		35		33	
						73																		23		21				
SALEABLE	NOT APPLICABLE	34566-5203	0	A	BLACK	72	71		69	68	67	66		64	63	62				59	58	57	56		54	53				
						52	51	50	49	48	47	46		44	43	42						39	38	37	36	35	34	33		
						73								32	31	30	29		27				24	23	22	21	20	19		17
SALEABLE	NOT APPLICABLE	34566-5303	0	B	ST GR Y															59		57		55		53				
								50	49	48		46											39		37		35		33	
						73																					23		21	
SALEABLE	NOT APPLICABLE	34566-5403	0	B	ST GR Y															59	58	57	56	55		53				
								50	49	48		46	45										39	38	37		35	34	33	
						73																							23	22
SALEABLE	NOT APPLICABLE	34566-5503	0	A	BLACK	72	71		69	68	67	66		64	63	62				59										
						52			49	48		46		44	43	42							39					35		33
						73																								
SALEABLE	NOT APPLICABLE	34566-5603	SEE 34566-2503																											
SALEABLE	NOT APPLICABLE	34566-5703	0	B	ST GR Y					68											59		57		55		53			
								49	48		46													39		37		35		33
						73																								
SALEABLE	NOT APPLICABLE	34566-5803	0	B	ST GR Y																59		57		55		53			
								49	48	47														39		37		35		33
						73																								
SALEABLE	NOT APPLICABLE	34566-5903	0	A	BLACK	72	71		69	68	67	66		64	63	62				59										
									49	48				44	43	42												35		33
						73																								
SALEABLE	NOT APPLICABLE	34566-6003	0	B	ST GR Y						67	66	65								59		57		55		53			
								49	48	47														39		37		35		33
						73																								
SALEABLE	NOT APPLICABLE	34566-6103	0	B	ST GR Y						67	66	65			62					59		57		55		53			
								49	48	47														39		37		35		33
						73																								
SALEABLE	NOT APPLICABLE	34566-6203	0	A	BLACK		71	70	69	68												59		57	56					
						52	51	50	49																				34	33
						73																								
SALEABLE	NOT APPLICABLE	34566-6303	0	A	BLACK		71	70	69	68													59		57	56				
						52	51	50	49		47																		34	33
						73																								
SALEABLE	NOT APPLICABLE	34566-6403	0	A	BLACK		71		69	68													59	58		56				
						52		50	49		47																		34	33
						73																								
SALEABLE	NOT APPLICABLE	34566-6503	0	A	BLACK		71		69	68													59	58		56				
						52		50	49		47																		34	33
						73																								



## MX123 52/66/73/80-WAY RECEPTACLE ASSY SEALED PIN OUT SHEET

STATUS	GM PART #	HRNS CONN ASSY			TPA	GROMMET CAP																									
		MATERIAL/PART	WIRE DRESS OPTION	KEY OPTION Fp	COLOR OPTION Fp	NUMBERS INDICATE CAVITIES OPEN FOR CIRCUITS																									
		NUMBER																													
SALEABLE	NOT APPLICABLE	34566-6603	0	H	ST GR	79	78	77	76	75	74	73	72	71	70	69	68	66	65	64	63	61									
						60	59	58	57	56		53	52		50										44	43		22	21		
						40	39	38	37		35	34	33	32		30	29		27	26											
						20	19	18	17	16				13	12						8		6	5				3	2		
SALEABLE	NOT APPLICABLE	34566-6703	0	H	ST GR	79	78	77	76	75	74	73	72	71	70	69	68	66	65	64	63	61									
						60	59	58	57	56		53			50											44	43		22	21	
						40	39	38	37		35	34	33	32		30	29		27	26											
						20	19	18	17				14	13	12		11	10	9	8		6	5					3	2		
SALEABLE	NOT APPLICABLE	34566-6803	0	B	ST GR							65					59		57		55		53								
								49	48		46		44						39		37		35		33						
													29	28								23		21							
																						7									
SALEABLE	NOT APPLICABLE	34566-6903	0	B	ST GR				49	48		46			64			59		57		55		53							
									32			29							39		37		35		33						
																						23		21						18	
																						7									
SALEABLE	NOT APPLICABLE	34566-7003	0	B	ST GR			50	49	48	47						59		57	56	55		53								
												29						39		37	36	35		33							
																						23		21					18	17	
															15			13	12			8	7	6	5	4	3				
SALEABLE	NOT APPLICABLE	34566-7103	0	A	BLACK	72	71	70	69	68	67	66		64	63	62		60	59				55	54	53						
						52			49	48			44	43	42		40	39							35	34	33				
										32			29	28	27				24	23						19	18	17			
										16				13	12	11		9	8	7	6	5	4	3	2	1					
SALEABLE	NOT APPLICABLE	34566-7203	0	B	ST GR	72	71	70	69	68	67	66	65	64	63	62		60	59				55	54	53						
						52			49	48			44	43	42				39						35	34	33				
										32			29	28	27				24	23						20	19	18	17		
										16				13	12	11		9	8	7	6	5	4	3	2	1					
SALEABLE	NOT APPLICABLE	34566-7303	0	B	ST GR				69	68		66					59				55		53								
									49	48		46		44					39		37		35		33						
													29	28								23		21					18	17	
															12	11	10					7									
SALEABLE	NOT APPLICABLE	34566-7403	0	B	ST GR			50	49	48		46					59		57		55		53								
												29						39		37		35		33							
																						23		21							
															15							7	6	5	4	3					
SALEABLE	NOT APPLICABLE	34566-7503	0	A	BLACK	72	71	70	69	68	67	66		64	63	62		60	59	58	57	56	55	54	53						
						52	51	50	49	48	47	46		44	43	42		40	39	38	37	36	35	34	33						
										32	31	30	29	28	27				24	23	22	21	20	19	18	17					
										16	15	14	13	12	11		9	8	7	6	5	4	3	2	1						
SALEABLE	NOT APPLICABLE	34566-7603	0	B	ST GR				69	68		66					59		57		55		53								
									49	48		46		44					39		37		35		33						
													29	28								23		21					18	17	
															12	11	10					7									
SALEABLE	NOT APPLICABLE	34566-7703	0	A	BLACK	72	71	70	69	68	67	66		64	63	62		60	59				55	54	53						
						52			49	48			44	43	42		40	39							35	34	33				
										32			29	28	27				24	23						19	18	17			
										16				13	12	11		9	8	7	6	5	4	3	2	1					
SALEABLE	NOT APPLICABLE	34566-7803	0	A	BLACK	72	71	70		68		66		64	63	62	61	60	59				55	54	53						
						52			49	48		46		44	43	42		40	39						35	34	33				
										32			29	28	27				24	23						19	18	17			
										16		14	13	12	11		9	8	7	6						3	2	1			
SALEABLE	NOT APPLICABLE	34566-7903	0	B	ST GR									64			61		59		57		55		53						
															42						39				35		33				
																						23				20	19				
															15											4	3	2	1		
SALEABLE	NOT APPLICABLE	34566-8003	0	A	BLACK				69	68			65	64	63		61	60	59	58		56		54	53						
						52		50	49	48	47						41			38	37	36		34	33						
										32	31	30	29	28	27				24	23					20	19	18	17			
										16				13	12	11	10	9													1

MX123 52/66/73/80-WAY RECEPTACLE ASSY SEALED PIN OUT SHEET

STATUS	GM PART #	HRNS CONN ASSY			TPA	GROMMET CAP																					
		MATERIAL/PART	WIRE DRESS OPTION	KEY OPTION	COLOR	NUMBERS INDICATE CAVITIES OPEN FOR CIRCUITS																					
		NUMBER		OPTION	OPTION																						
SALEABLE	NOT APPLICABLE	34566-8103	0	H	ST GRAY			78							72	71	70	69	68		66	65	64	63		61	
						60	59	58	57	56			53	52		50		29			27	26		24		22	21
						40			37		35	34	33	32		30				8		6	5		3	2	
SALEABLE	NOT APPLICABLE	34566-8203	0	A	BLACK			70			67	66								58		56	55	54			
										47			44	43	42	41		39		37	36		34				
						73				31	30			27		25	24			21	20	19	18				
SALEABLE	NOT APPLICABLE	34566-8303	0	A	BLACK	72	71		69	68	67	66		64	63	62			59	58	57	56		54	53		
						52	51	50	49	48	47	46		44	43	42			39	38	37	36	35	34	33		
						73				32	31	30	29		27			24	23	22	21	20	19		17		
SALEABLE	NOT APPLICABLE	34566-8403	0	B	ST GRAY								65	64					59		57		55		53		
								50	49	48		46						39		37		35		33			
						73				32			29					24	23		21						
SALEABLE	NOT APPLICABLE	34566-8503	0	B	ST GRAY								65	64					59		57		55		53		
																		39		37		35		33			
						73				32			29					24	23		21						
SALEABLE	NOT APPLICABLE	34566-8603	0	A	BLACK	72	71	70	69	68	67	66	65	64	63	62		60	59				55	54	53		
						52			49	48				44	43	42			39				35	34	33		
						73				32			29		27			24	23				19	18	17		
SALEABLE	NOT APPLICABLE	34566-8703	0	B	ST GRAY				69	68		66		64				59		57		55		53			
								50	49	48	47		44				39		37		35		33				
						73				32			29		28			23		21							
SALEABLE	NOT APPLICABLE	34566-8803	0	B	ST GRAY					68	67	66	65				59	58	57			54	53				
							51	50	49	48		46	45		43	42		40	39	38	37						
						73				32	31	30			26		24	23	22		20						
SALEABLE	NOT APPLICABLE	34566-8903	0	H	ST GRAY			78							71	70	69	68	67	66	65	64	63		61		
								58	57	56			53	52		51		50					44	43		22	21
						40			37		35	34	33	32		30		29			27	26					
SALEABLE	NOT APPLICABLE	34566-9003	0	B	ST GRAY				69	68		66		64				59		57		55		53			
								49	48		46		44				39		37		35		33				
						73				32			29	28				23		21							
SALEABLE	NOT APPLICABLE	34566-9103	0	A	BLACK					68			65		63		61		59	58		56			53		
						52	51	50			47						41			38	37	36	35	34	33		
						73				32	31	30	29	28	27		25	24	23	22	21	20	19	18	17		
SALEABLE	NOT APPLICABLE	34566-9203	0	A	BLACK	72	71	70	69	68	67	66		64	63	62		60	59				55	54	53		
						52			49	48				44	43	42		40	39	38			35	34	33		
						73						30	29	28	27			24	23		19	18	17				
SALEABLE	NOT APPLICABLE	34566-9303	0	A	BLACK																						
						73				16			13	12	11		9	8	7	6	5	4	3	2	1		
SALEABLE	NOT APPLICABLE	34566-9403	0	B	ST GRAY					68	67	66	65					59	58	57			54	53			
							51	50	49	48		46	45		43	42	41	40	39	38	37		35				
						73				32	31	30				26		24	23	22		20					
SALEABLE	NOT APPLICABLE	34566-9503	0	A	BLACK																						
						73				32	31	30	29	28	27			24	23			20	19	18	17		





**MX123 52/66/73/80-WAY RECEPTACLE ASSY SEALED PIN OUT SHEET**

STATUS	GM PART #	HRNS CONN ASSY			TPA	GROMMET CAP																						
		MATERIAL/PART	WIRE DRESS OPTION	KEY OPTION ▽ Fp	COLOR OPTION ▽ Fp	NUMBERS INDICATE CAVITIES OPEN FOR CIRCUITS																						
		NUMBER				▽ Fp																						
SALEABLE	NOT APPLICABLE	34566-9603	0	A	BLACK	52	71	70	69	68		66	65	64	63		61		59	58	57	56						
						73		32	31	30	29	28	27		24	23									20	19	18	17
						73		16	15	14	13	12	11	10	9													
SALEABLE	NOT APPLICABLE	34566-9703	0	A	BLACK	72	71	70	69	68			65	64	63		61		59		57	56						
						52	51	50	49		47					41										34	33	
						73		32	31	30	29	28	27		24	23										20	19	18
SALEABLE	NOT APPLICABLE	34566-9803	0	A	BLACK	72	71	70	69	68			65	64	63		61		59		57	56						
						52	51	50	49		47					41											34	33
						73		32	31	30	29	28	27		24	23										20	19	18
SALEABLE	NOT APPLICABLE	34566-9903	0	A	BLACK	72	71	70	69	68			65	64	63		61		59	58	57	56						
						52	51	50	49		47					41											34	33
						73		32	31	30	29	28	27		24	23										20	19	18
SALEABLE	NOT APPLICABLE	34566-1013	0	A	BLACK	72	71	70	69	68			65	64	63		61		59	58	57	56						
						52	51	50	49		47					41											34	33
						73		32	31	30	29	28	27		24	23										20	19	18
SALEABLE	NOT APPLICABLE	34566-1023	0	A	BLACK	72	71	70	69	68			65	64	63		61		59	58	57	56						
						52	51	50	49		47					41											34	33
						73		32	31	30	29	28	27		24	23										20	19	18
SALEABLE	NOT APPLICABLE	34566-1033	0	A	BLACK	72	71	70	69	68			65	64	63		61		59	58	57	56						
						52	51	50	49		47					41											34	33
						73		32	31	30	29	28	27		24	23										20	19	18
SALEABLE	NOT APPLICABLE	34566-1043	0	B	ST GRAY	72	71	70	69	68			65	64	63		61		59	58	57	56						
						52	51	50	49		47					41	40	39	38	37	36	35					54	53
						73		32	31	30					24	23	22									20		
SALEABLE	NOT APPLICABLE	34566-1053	0	H	ST GRAY	72	71	70	69	68			65	64	63		61		59	58	57	56						
						60	59	58	57	56				53	52		50										44	43
						40	39	38	37		35	34	33	32		30	29		27	26								22
SALEABLE	NOT APPLICABLE	34566-1063	0	B	ST GRAY	72	71	70	69	68			65	64	63		61		59	58	57	56						
						40	39	38	37		35	34	33	32		30	29		27	26							22	21
						73		32	31	30					24	23	22									20		
SALEABLE	NOT APPLICABLE	34566-1073	0	A	BLACK	72	71	70	69	68			65	64	63		61		59	58	57	56						
						40	39	38	37		35	34	33	32		30	29		27	26							22	21
						73		32	31	30					24	23	22									20		
SALEABLE	NOT APPLICABLE	34566-1083	0	B	ST GRAY	72	71	70	69	68			65	64	63		61		59	58	57	56						
						40	39	38	37		35	34	33	32		30	29		27	26							22	21
						73		32	31	30					24	23	22									20		
SALEABLE	NOT APPLICABLE	34566-1093	0	A	BLACK	72	71	70	69	68			65	64	63		61		59	58	57	56						
						40	39	38	37		35	34	33	32		30	29		27	26							22	21
						73		32	31	30					24	23	22									20		
SALEABLE	NOT APPLICABLE	34566-1123	0	H	ST GRAY	72	71	70	69	68			65	64	63		61		59	58	57	56						
						40	39	38	37		35	34	33	32		30	29		27	26							22	21
						73		32	31	30					24	23	22									20		
SALEABLE	NOT APPLICABLE	34566-1133	0	A	BLACK	72	71	70	69	68			65	64	63		61		59	58	57	56						
						40	39	38	37		35	34	33	32		30	29		27	26							22	21
						73		32	31	30					24	23	22									20		

MX123 52/66/73/80-WAY RECEPTACLE ASSY SEALED PIN OUT SHEET

STATUS	GM PART #	HRNS CONN ASSY			TPA	GROMMET CAP																						
		MATERIAL/PART	WIRE DRESS OPTION	KEY OPTION Fp	COLOR OPTION Fp	NUMBERS INDICATE CAVITIES OPEN FOR CIRCUITS																						
		NUMBER				Fp																						
SALEABLE	NOT APPLICABLE	34566-1143	0	A	BLACK	52		50		68			65		63		61		59	58		56			53			
										32	31	30	29	28	27		25	24	23	22	21	20	19	18	17			
						73			16	15	14	13	12	11	10	9												1
SALEABLE	NOT APPLICABLE	34566-1153	0	A	BLACK			70				67	66	65					58	57		55						
								49				47			44	43	42	41		39		37						
						73			32			30			27		25	24	23		21	20	19	18				
SALEABLE	NOT APPLICABLE	34566-1163	0	H	ST GRAY			78						72	71	70	69	68		66	65	64	63		61			
						60	59	58	57	56			53	52		50								44	43		41	
						40			37		35	34		32		30	29		27	26							22	21
SALEABLE	NOT APPLICABLE	34566-1173	0	A	BLACK	20	19	18	17	16			13	12				8		6	5		3	2				
						72	71		69	68			65	64	63	62	61	60	59	58		56		54				
						52		50	49	48	47		45			42	41		39	38	37	36		34	33			
SALEABLE	NOT APPLICABLE	34566-1183	0	B	ST GRAY	73			32	31	30	29	28	27	26		24	23										
SALEABLE	NOT APPLICABLE	34566-1193	0	A	BLACK				49	48	47			44		42			39		37		35					
						73							29	28					23		21							
SALEABLE	NOT APPLICABLE	34566-1213	0	A	BLACK	72	71		69	68	67	66		64	63	62		60	59						54	53		
						52			49	48		46		44	43	42			39								34	33
						73			32			29			27				23									
SALEABLE	NOT APPLICABLE	34566-1223	0	B	ST GRAY	72	71		69	68	67	66		64	63	62		59							54	53		
						52			49	48		46		44	43	42			39								34	33
						73			32			29			27				23									
SALEABLE	NOT APPLICABLE	34566-1233	0	B	ST GRAY																							
SALEABLE	NOT APPLICABLE	34566-1243	0	B	ST GRAY																							
SALEABLE	NOT APPLICABLE	34566-1253	9	B	ST GRAY																							
SALEABLE	NOT APPLICABLE	34566-1263	9	A	BLACK	NUMBERS IN BOLD MUST USE SAE WIRE MEETING SAE J1128, WIRE SIZE (NO.20) OR (NO.18 MAX. O.D. OF 2.06 MM) PER G.M. DRAWING NUMBER 12582682.																						
						72	71		69	68	67	66		64	63	62		59				56					53	
								50		48		46		44	43	42			39				36	35				
SALEABLE	NOT APPLICABLE	34566-1273	0	A	BLACK	73			32		30	29		27		24	23		20									
SALEABLE	NOT APPLICABLE	34566-1283	0	A	BLACK			70	69	68			65	64	63		61		59	58	57	56						
						52		50	49	48	47						41		39	38	37	36		34	33			
						73			32	31	30	29	28	27		24	23											

MX123 52/66/73/80-WAY RECEPTACLE ASSY SEALED PIN OUT SHEET

STATUS	GM PART #	HRNS CONN ASSY			TPA	GROMMET CAP																					
		MATERIAL/PART	WIRE DRESS OPTION	KEY OPTION Fp	COLOR OPTION Fp	NUMBERS INDICATE CAVITIES OPEN FOR CIRCUITS																					
		NUMBER				Fp																					
SALEABLE	NOT APPLICABLE	34566-1293	0	A	BLACK	52		50		68			65		63		61		59	58		56			34	33	
						73				32	31	30	29	28	27			24	23					20	19	18	17
						73				16			13	12	11	10	9										
SALEABLE	NOT APPLICABLE	34566-1313	0	H	ST GRAY	80		78						72	71	70	69	68		66	65	64	63		61		
								58	57	56	55	54	53									46		44	43	42	
						40			37		35				32		30	29		27	26						
SALEABLE	NOT APPLICABLE	34566-1323	0	A	BLACK	72	71	70	69	68	67	66	65	64	63	62		60	59	58	57	56	55	54	53		
						52	51	50	49	48	47	46	45	44	43	42	41	40	39	38	37	36	35	34	33		
						73				32	31	30	29	28	27			25	24	23	22	21	20	19	18	17	
SALEABLE	NOT APPLICABLE	34566-1333	0	A	BLACK			70	69	68			65	64				59	58		56						
						52		50	49		47					41				38	37	36			34		
						73				32	31	30	29	28	27					23				20	19	18	17
SALEABLE	NOT APPLICABLE	34566-1343	0	A	BLACK				69			65	64	63				59	58	57	56						
								50	49	48	47					41				38	37	36			34		
						73				32	31	30	29	28	27					23				20	19	18	17
SALEABLE	NOT APPLICABLE	34566-1353	0	H	ST GRAY		79	78	77	76	75	74	73	72	71	70	69	68		66	65	64	63		61		
						60	59	58	57	56			53			50								44	43		41
						40	39	38	37		35	34			32		30	29		27	26						22
SALEABLE	NOT APPLICABLE	34566-1363	0	A	BLACK	72	71		69	68	67	66		64	63	62			59							53	
										48		46		44	43	42			39								33
						73				32			29		27			24	23								
SALEABLE	NOT APPLICABLE	34566-1373	0	B	ST GRAY							66	65			62		59		57		55		53			
										48		46			42			39		37		35				33	
						73							29			26			23		21						17
SALEABLE	NOT APPLICABLE	34566-1383	0	B	ST GRAY				49	48	47	46						59	58	57		55		53			
																		39	38	37		35				33	
						73							29					23	22	21							17
SALEABLE	NOT APPLICABLE	34566-1393	0	A	BLACK			70			67	66				61			58	57		55	54				
										47		45	44	43	42	41		39		37				34			
						73				32		30			27		25	24			21	20	19	18			1
SALEABLE	NOT APPLICABLE	34566-1423	0	B	ST GRAY					68	67	66	65			61	60	59	58	57			54	53			
							51	50	49	48	47	46	45		43	42	41	40	39	38	37		35	34	33		
						73				32	31	30				26		24	23	22	21	20					
SALEABLE	NOT APPLICABLE	34566-1433	0	B	ST GRAY							66		64				59		57		55		53			
									49	48		46						39		37		35				33	
						73				32			29					23		21				18	17		
SALEABLE	NOT APPLICABLE	34566-1443	0	B	ST GRAY				69	68		66						59		57		55		53			
									49	48		46						39		37		35				33	
						73							29					23		21							17
SALEABLE	NOT APPLICABLE	34566-1453	0	B	ST GRAY				49	48	47			66	65	64		62		59		57		55	53		
													44		42			39		37		35				33	
						73							29	28		26			23		21						17
SALEABLE	NOT APPLICABLE	34566-1463	0	A	BLACK				69	68			65	64	63	62	61	60	59	58		56			34	33	
						52		50	49	48	47		45				41			38	37	36					
						73				32	31	30	29	28	27			24	23					20	19	18	17

MX123 52/66/73/80-WAY RECEPTACLE ASSY SEALED PIN OUT SHEET

STATUS	GM PART #	HRNS CONN ASSY			TPA	GROMMET CAP																					
		MATERIAL/PART	WIRE DRESS OPTION	KEY OPTION Fp	COLOR OPTION Fp	NUMBERS INDICATE CAVITIES OPEN FOR CIRCUITS																					
		NUMBER				Fp																					
SALEABLE	NOT APPLICABLE	34566-1473	0	A	BLACK	72	71		69	68	67	66		64	63	62			59					54	53		
						52			49	48		46		44	43	42			39							34	33
						73				32			29		27			24	23								
SALEABLE	NOT APPLICABLE	34566-1483	0	A	BLACK	72	71		69	68			65	64	63		61		59	58		56					
						52		50	49		47					41			38	37	36				34	33	
						73				32	31	30	29	28	27		24	23			20	19	18	17			
SALEABLE	NOT APPLICABLE	34566-1493	0	B	ST GRAY				68								59	58	57		55			53			
									49	48		46						39	38	37		35				33	
						73							29					23	22	21						18	17
SALEABLE	NOT APPLICABLE	34566-1513	0	B	ST GRAY								65				59		57		55			53			
									49	48		46					39		37		35					33	
						73							29					23		21							17
SALEABLE	NOT APPLICABLE	34566-1523	0	A	BLACK			70	69	68			65	64			59	58		56			54				
						52		50	49		47				42	41			38	37	36				34		
						73				32	31	30	29	28	27	26		23			20	19	18	17			
SALEABLE	NOT APPLICABLE	34566-1533	0	A	BLACK	72	71	70	69	68			65	64	63		61		59	58	57	56					
						52	51	50	49		47					41			38	37	36				34	33	
						73				32	31	30	29	28	27		24	23			20	19	18	17			
SALEABLE	NOT APPLICABLE	34566-1543	0	B	ST GRAY				69	68		66					59		57		55			53			
									49	48		46					39		37		35					33	
						73							29					23		21							
SALEABLE	12582677	34566-1553	0	A	BLACK																						
						73																					
TOOL DESIGN SALEABLE	NOT APPLICABLE	34566-1563	9	A	BLACK																						
73																											
TOOL DESIGN SALEABLE	NOT APPLICABLE	34566-1573	9	H	ST GRAY																						
73																											
SALEABLE	NOT APPLICABLE	34566-1583	0	A	BLACK			70			67	66	65			61		58	57		55	54					
									49		47		45	44	43	42	41		39		37				34		
						73				32		30			27		25	24			21	20	19	18	17		
SALEABLE	NOT APPLICABLE	34566-1593	0	B	ST GRAY					67		65			61	60	59	58	57			54	53				
							51	50	49	48	47	46	45		43	42		40	39		37			34	33		
						73				32	31	30			26		24	23	22	21	20						
SALEABLE	NOT APPLICABLE	34566-1613	0	H	ST GRAY		79	78	77	76	75	74	73	72	71	70	69	68		66	65	64	63		61		
						60	59	58	57	56			53			50							44	43		41	
						40	39	38	37		35	34	33	32		30	29		27	26			24	23	22	21	
SALEABLE	NOT APPLICABLE	34566-1623	0	B	ST GRAY							66	65			62		59		57		55		53			
										48	47				42			39		37		35				33	
						73							29			26		23		21							17
SALEABLE	NOT APPLICABLE	34566-1633	0	B	ST GRAY				69	68		66					59		57		55			53			
								50		48	47							39		37		35				33	
						73							29			12	11	10			23		21				17

MX123 52/66/73/80-WAY RECEPTACLE ASSY SEALED PIN OUT SHEET

STATUS	GM PART #	HRNS CONN ASSY			TPA	GROMMET CAP																						
		MATERIAL/PART	WIRE DRESS OPTION	KEY OPTION Fp	COLOR OPTION Fp	NUMBERS INDICATE CAVITIES OPEN FOR CIRCUITS																						
		NUMBER				Fp																						
SALEABLE	NOT APPLICABLE	34566-1643	0	B	ST GRY				69	68		66							59		57		55		53			
								50		48		46							39		37		35		33			
						73						29						23		21							17	
SALEABLE	NOT APPLICABLE	34566-1653	0	B	ST GRY							66						59		57		55		53				
								50		48		46						39		37		35		33				
						73						29						23		21							17	
SALEABLE	NOT APPLICABLE	34566-1663	0	B	ST GRY							66						59		57		55		53				
								50		48		46						39		37		35		33				
						73						29						23		21							17	
SALEABLE	NOT APPLICABLE	34566-1673	0	A	BLACK	72	71	70	69	68	67	66	65	64	63	62		60	59					55	54	53		
						52			49	48			45	44	43	42	41	40	39							35	34	33
						73						29				27		25	24	23							19	18
SALEABLE	NOT APPLICABLE	34566-1683	0	B	ST GRY							67	66			63			59	58	57	56	55		53			
								50	49	48					43				39	38	37	36	35		33			
						73						29				27				23	22	21						
SALEABLE	NOT APPLICABLE	34566-1693	0	B	ST GRY							66		64				59		57		55		53				
								49	48		46							39		37		35		33				
						73						29							23		21						17	
SALEABLE	NOT APPLICABLE	34566-1713	0	B	ST GRY		71	70		68		66	65	64	63		60	59	58	57	56	55	54	53				
							51	50	49	48		46	45		43		41	40	39	38	37	36	35		33			
						73						32	31	30				24	23	22		20	19					
SALEABLE	NOT APPLICABLE	34566-1723	0	B	ST GRY		71	70		68		66	65			60	59	58	57				54	53				
							51	50	49	48		46	45		43		41	40	39	38	37	36	35		33			
						73						32	31	30				24	23	22		20						
SALEABLE	NOT APPLICABLE	34566-1733	0	A	BLACK			70		68	67	66	65				58	57			55							
								49		47			44	43	42	41		39		37		35						
						73						32		30			27		25	24		21	20	19	18	17		
SALEABLE	NOT APPLICABLE	34566-1743	0	A	BLACK			70		67	66	65				58	57			55								
								49		47			44	43	42	41		39		37		35						
						73						32		30			27		25	24		21	20	19	18	17		
SALEABLE	NOT APPLICABLE	34566-1753	0	A	BLACK			70		67	66	65				58	57			55								
								49		47			44	43	42	41		39		37		35						
						73						32				27		25	24		21	20	19	18	17			
SALEABLE	NOT APPLICABLE	34566-1763	0	B	ST GRY			70		67	66	65				58	57			55								
							51	50	49	48	47	46	45		43		41	40	39	38	37		35		34	33		
						73						32	31	30				26	25	24	23	22	21	20				
SALEABLE	NOT APPLICABLE	34566-1773	0	C	BLUE	72		70				67	66			63	62			59		57			53			
						52	51					46		44		42		40	39							34	33	
						73								30			27	26	25			22	21	20				
SALEABLE	NOT APPLICABLE	34566-1783	0	C	BLUE			70				67	66			63	62			59		57			53			
						52	51					46		44		42		40	39							34	33	
						73								30			26	25			22	21	20					
SALEABLE	NOT APPLICABLE	34566-1793	0	A	BLACK				69							63	62	61			58	57	56	55	54	53		
						52	51		49				44	43	42	41				37	36	35	34	33				
						73						32			29	28	27	26									19	18

MX123 52/66/73/80-WAY RECEPTACLE ASSY SEALED PIN OUT SHEET

STATUS	GM PART #	HRNS CONN ASSY			TPA	GROMMET CAP																				
		MATERIAL/PART	WIRE DRESS OPTION	KEY OPTION Fp	COLOR OPTION Fp	NUMBERS INDICATE CAVITIES OPEN FOR CIRCUITS																				
		NUMBER				Fp																				
SALEABLE	NOT APPLICABLE	34566-1813	0	B	ST GRAY	72	71	70		68	67	66				62	61	60	59	58	57	56	55	54	53	
						52	51	50		48	47	46				42	41	40	39	38	37	36	35	34	33	
						73				32	31	30	29	28	27	26	25	24	23							
SALEABLE	NOT APPLICABLE	34566-1823	0	A	BLACK	72	71	70	69	68		66	65	64			61		59	58		56		54	53	
						52		50	49		47					42	41			38	37	36		34	33	
						73				32	31	30	29	28	27	26		24	23	22	21	20	19	18	17	
SALEABLE	NOT APPLICABLE	34566-1833	0	A	BLACK					68		65		63		61		59	58		56					
						52		50			47					41			38	37	36		34	33		
						73				32	31	30	29	28	27		25	24	23			20	19	18	17	
SALEABLE	NOT APPLICABLE	34566-1843	0	A	BLACK					68		65		63		61		59	58		56					
						52		50			47					41			38	37	36		34	33		
						73				32	31	30	29	28	27		25	24	23			20	19	18	17	
SALEABLE	NOT APPLICABLE	34566-1853	0	A	BLACK			70	69	68	67		65		63		61	60			57	56	55	54	53	
						52		50	49	48	47			44	43		41	40			37	36	35	34	33	
						73						30	29	28			25	24			21	20	19	18	17	
SALEABLE	NOT APPLICABLE	34566-1863	0	B	ST GRAY					68	67		66	65	64	63										
												46	45		43											
						73				32		30	29	28	27											
SALEABLE	NOT APPLICABLE	34566-1873	0	C	BLUE	72		70			67	66			63	62			59		57					
						52	51					46		44		42		40	39						34	33
						73				32		30			27	26	25			22	21	20				
SALEABLE	NOT APPLICABLE	34566-1883	0	A	BLACK			70		68	67	66	65						58	57		55				
								49		47			44	43	42	41	40	39		37		35				
						73				32		30			27		25	24			21	20	19	18	17	
SALEABLE	NOT APPLICABLE	34566-1893	0	C	BLUE				70			66			63			59		57						
						52	51					46		44		42		40	39						34	33
						73				32		30			27	26	25			22	21	20				
SALEABLE	NOT APPLICABLE	34566-1913	0	B	ST GRAY			70		68		66					60	59				55	54	53		
						52		50		48		46					40	39					35	34	33	
						73				32	31	30	29	28	27	26	25	24								
SALEABLE	NOT APPLICABLE	34566-1923	0	A	BLACK				69						63				58		56	55	54	53		
						52	51		49				44	43	42	41						36	35	34	33	
						73				32				28		26							19	18		
SALEABLE	NOT APPLICABLE	34566-1933	0	A	BLACK			70			67	66	65						58	57		55				
								49		47			44	43	42	41	40	39		37		35				
						73				32		30			27		25	24			21	20	19	18	17	
SALEABLE	NOT APPLICABLE	34566-1943	0	A	BLACK			70			67	66	65						58	57		55				
							51		49		47			44	43	42	41	40	39		37		35			
						73				32		30			27		25	24			21	20	19	18	17	
SALEABLE	NOT APPLICABLE	34566-1953	0	C	BLUE				70			66			63			59		57						
						52	51			48	47	46		44		42		40	39						34	33
						73						30				26	25			22	21	20				
SALEABLE	NOT APPLICABLE	34566-1963	0	C	BLUE				70			66			63			59		57						
						52	51					46		44		42		40	39						34	33
						73						30				26	25			22	21	20				

MX123 52/66/73/80-WAY RECEPTACLE ASSY SEALED PIN OUT SHEET

STATUS	GM PART #	HRNS CONN ASSY			TPA	GROMMET CAP																						
		MATERIAL/PART	WIRE DRESS OPTION	KEY OPTION Fp	COLOR OPTION Fp	NUMBERS INDICATE CAVITIES OPEN FOR CIRCUITS																						
		NUMBER				Fp																						
SALEABLE	NOT APPLICABLE	34566-1973	0	A	BLACK	52	51		69														56	55	54	53		
									49						44	63	42	41							36	35	34	33
						73				32				28		26			23					21			19	18
SALEABLE	NOT APPLICABLE	34566-1983	0	B	ST GRAY																							
						73																						
SALEABLE	NOT APPLICABLE	34566-1993	0	C	BLUE																							
						73																						
SALEABLE	NOT APPLICABLE	34566-2013	0	A	BLACK		71	70					65					60	59	58	57				54	53		
							51	50	49	48		46	45		43		41	40	39		37	36	35					33
						73				32	31	30						24	23	22		20						
SALEABLE	NOT APPLICABLE	34566-2023	0	A	BLACK			70		68	67	66	65							58	57				55			
									49		47			44	43	42	41		39		37		35					
						73				32		30				27		25	24			21	20	19	18	17		
SALEABLE	NOT APPLICABLE	34566-2033	0	A	BLACK		71	70					65	64				60	59	58	57				54	53		
							51	50	49	48		46	45		43		41	40	39		37	36	35					33
						73				32	31	30						24	23	22		20						
SALEABLE	NOT APPLICABLE	34566-2043	0	A	BLACK			70			67	66	65						58	57				55				
									49		47			44	43	42	41		39		37		35					
						73				32		30				27		25	24			21	20	19	18	17		
SALEABLE	NOT APPLICABLE	34566-2053	0	B	ST GRAY			70		68	67	66	65						58	57				55				
									49		47			44	43	42	41		39		37		35					
						73				32		30				27		25	24	23		21	20	19	18			
SALEABLE	NOT APPLICABLE	34566-2063	0	H	ST GRAY			78						72	71	70	69	68		66	65	64	63		61			
								58	57	56			53	52		50							44	43				41
						40			37		35	34			32		30	29		27	26						22	21
SALEABLE	NOT APPLICABLE	34566-2073	0	H	ST GRAY			78						72	71	70	69	68		66	65	64	63		61			
								58	57	56			53	52		50							44	43				41
						40			37		35	34			32		30	29		27	26						22	21
SALEABLE	NOT APPLICABLE	34566-2083	0	H	ST GRAY			78						72	71	70	69	68	67	66	65	64	63		61			
								58	57	56			53	52	51	50							44	43				41
						40			37		35	34			32		30	29		27	26						22	21
SALEABLE	NOT APPLICABLE	34566-2093	0	A	BLACK					68			65		63		61		59	58			56					
											47						41			38	37	36			34	33		
						73				32	31	30	29	28	27		25	24	23			20	19	18	17			
SALEABLE	NOT APPLICABLE	34566-2113	0	H	ST GRAY		79	78	77	76	75	74	73	72	71	70	69	68		66	65	64	63		61			
							60	59	58	57	56	55		53	52		50						44	43	42	41		
						40	39	38	37		35	34	33	32		30	29		27	26							22	21
SALEABLE	NOT APPLICABLE	34566-2123	0	H	ST GRAY			79	78	77	76	75	74	73	72	71	70	69	68		66	65	64	63		61		
								60	59	58	57	56	55		53	52		50					44	43	42	41		
						40	39	38	37		35	34	33	32		30	29		27	26							22	21
SALEABLE	NOT APPLICABLE	34566-2133	0	B	ST GRAY		71	70					65	64				60	59	58	57			55	54	53		
							51	50	49	48		46	45		43		41	40	39		37	36	35					33
						73				32	31	30						24	23	22		20						

MX123 52/66/73/80-WAY RECEPTACLE ASSY SEALED PIN OUT SHEET

STATUS	GM PART #	HRNS CONN ASSY			TPA	GROMMET CAP																				
		MATERIAL/PART	WIRE DRESS OPTION	KEY OPTION Fp	COLOR OPTION Fp	NUMBERS INDICATE CAVITIES OPEN FOR CIRCUITS																				
		NUMBER				Fp																				
SALEABLE	NOT APPLICABLE	34566-2143	0	B	ST GRAY	71	70					65				60	59	58	57			54	53			
						51	50	49	48		46	45		43		41	40	39		37	36	35			33	
						73			32	31	30					24	23	22		20						
SALEABLE	NOT APPLICABLE	34566-2153	0	A	BLACK			70		68	67	66	65					58	57		55					
								49		47			44	43	42	41		39		37						
						73			32		30			27		25	24	23		21	20	19	18			
SALEABLE	NOT APPLICABLE	34566-2163	0	A	BLACK			70			67	66				61		58		55	54					
								49		47		45	44	43	42	41		39		37			34			
						73			32					27		24			21	20	19	18	17			
SALEABLE	NOT APPLICABLE	34566-2173	0	A	BLACK			70			67	66	65			61		58		55	54					
								49		47		45	44	43	42	41		39		37			34			
						73			32		30			27		25	24		21	20	19	18	17			
SALEABLE	NOT APPLICABLE	34566-2183	0	A	BLACK			70			67	66					58	57		55						
								49		47			44	43	42	41		39		37						
						73			32					27		24			21	20	19	18	17			
SALEABLE	NOT APPLICABLE	34566-2193	0	A	BLACK			70			67	66	65				58	57		55						
								49		47			44	43	42	41		39		37			34			
						73			32		30			27		25	24		21	20	19	18	17			
SALEABLE	NOT APPLICABLE	34566-2213	9	H	ST GRAY		79	78	77	76	75	74	73	72	71	70	69	68		66	65	64	63	61		
						60	59	58	57	56			53			50							44	43		41
						40	39	38	37		35	34	33	32		30	29		27	26			24	23	22	21
SALEABLE	NOT APPLICABLE	34566-2223	0	A	BLACK	72	71	70	69	68	67	66		64	63	62		60	59			55	54	53		
						52			49	48		46		44	43	42		40	39				35	34	33	
						73			32			29		27		24	23						19	18	17	
SALEABLE	NOT APPLICABLE	34566-2233	0	A	BLACK				69						63				58		56	54				
						52	51		49				44	43	42	41						36	35	34	33	
						73			32				28		26								19	18		
SALEABLE	NOT APPLICABLE	34566-2243	0	H	ST GRAY		79	78	77	76	75	74	73	72	71	70	69	68		66	65	64	63	61		
						60	59	58	57	56			53	52		50							44	43		41
						40	39	38	37		35	34	33	32		30	29		27	26			24	23	22	21
SALEABLE	NOT APPLICABLE	34566-2253	0	A	BLACK	72	71	70	69	68		66	65	64	63		61		59	58		56	54	53		
						52		50	49		47				42	41			38	37	36		34	33		
						73			32	31	30	29	28	27	26		24	23	22	21	20	19	18	17		
SALEABLE	NOT APPLICABLE	34566-2263	0	A	BLACK				69						63				58		56	55	54	53		
						52	51	50	49				44	43	42	41						36	35	34	33	
						73			32				28		26								19	18		
SALEABLE	NOT APPLICABLE	34566-2273	0	A	BLACK				69						63	62	61		58	57	56	55	54	53		
						52	51	50	49				44	43	42	41					37	36	35	34	33	
						73			32			29	28	27	26								19	18		
SALEABLE	NOT APPLICABLE	34566-2283	0	B	ST GRAY				49	68	67	66	65	64	63						55					
									48		46	45	44	43												
						73			32		30	29	28	27												
SALEABLE	NOT APPLICABLE	34566-2293	0	C	BLUE	72		70		68		66			63				59		57			53		
						52	51			48	47	46		44		42		40	39					34	33	
						73					30				26	25			22	21						


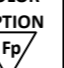





MX123 52/66/73/80-WAY RECEPTACLE ASSY SEALED PIN OUT SHEET

STATUS	GM PART #	HRNS CONN ASSY			TPA	GROMMET CAP																						
		MATERIAL/PART	WIRE DRESS OPTION	KEY OPTION Fp	COLOR OPTION Fp	NUMBERS INDICATE CAVITIES OPEN FOR CIRCUITS																						
		NUMBER				Fp																						
SALEABLE	NOT APPLICABLE	34566-2473	0	A	BLACK			70		68	67	66	65						58	57		55						
								49			47		30			44	43	42	41		39			35				
						73				32								27		25	24			21	20	19	18	17
SALEABLE	NOT APPLICABLE	34566-2483	0	A	BLACK				69							63	62	61			58	57	56	55	54	53		
						52	51		49					44	43	42	41					37	36	35	34	33		
						73				32				29	28	27	26					23				19	18	
SALEABLE	NOT APPLICABLE	34566-2493 SAME AS P/N 34566-3863	0	B	ST GRAY	72	71	70		68	67	66				62	61	60	59	58	57	56	55	54	53			
						52	51	50		48	47	46				42	41	40	39	38	37	36	35	34	33			
						73				32	31	30	29	28	27	26	25	24										2
SALEABLE	NOT APPLICABLE	34566-2513	0	C	BLUE	72		70		68	67	66			63	62			59		57				53			
						52	51			48	47	46		44		42		40	39							34	33	
						73				32		30				27	26	25				22	21	20				
SALEABLE	NOT APPLICABLE	34566-2523	0	A	BLACK	72	71	70	69	68	67	66	65	64	63	62		60	59					55	54	53		
						52			49	48			45	44	43	42	41	40	39							35	34	33
						73				32				29	28	27		25	24	23							19	18
SALEABLE	NOT APPLICABLE	34566-2533	0	B	ST GRAY						67	66	65		63				59	58	57	56	55	54	53			
								50	49	48		46	45		43				39	38	37	36	35	34	33			
						73								29		27				23	22	21					18	
SALEABLE	NOT APPLICABLE	34566-2543	0	C	BLUE	72		70				66			63			59		57					53			
						52	51					46		44		42		40	39							34	33	
						73				32		30				27	26	25			22	21						
SALEABLE	NOT APPLICABLE	34566-2553	9	B	ST GRAY	72	71	70		68	67	66				62	61	60	59	58	57	56	55	54	53			
						52	51	50		48	47	46				42	41	40	39	38	37	36	35	34	33			
						73				32	31	30	29	28	27	26	25	24	23									
SALEABLE	NOT APPLICABLE	34566-2563	9	A	BLACK				69						63	62	61			58	57	56	55	54	53			
						52	51	50	49					44	43	42	41		39			37	36	35	34	33		
						73				32				29	28	27	26									19	18	
SALEABLE	NOT APPLICABLE	34566-2573	9	C	BLUE	72		70			67	66			63	62			59		57				53			
						52	51					46		44		42		40	39							34	33	
						73						30				27	26	25			22	21	20					
SALEABLE	NOT APPLICABLE	34566-2583	0	A	BLACK				69						63					58	57	56	55	54	53			
						52	51	50	49					44	43	42	41		39					36	35	34	33	
						73				32				28		26										19	18	
SALEABLE	NOT APPLICABLE	34566-2593	0	C	BLUE	72		70				66			63	62			59		57				53			
						52	51					46		44		42		40	39							34	33	
						73				32		30				27	26	25			22	21						
SALEABLE	NOT APPLICABLE	34566-2613	9	C	BLUE	72		70			67	66			63	62			59		57				53			
						52	51					46		44		42		40	39							34	33	
						73						30				27	26	25			22	21	20					
SALEABLE	NOT APPLICABLE	34566-2623	0	A	BLACK		71		69	68	67		65	64	63		61		59		57	56						
								50	49		47					41			38	37	36				34	33		
						73				32	31	30	29	28	27		24	23					4					
SALEABLE	NOT APPLICABLE	34566-2633	0	A	BLACK		71		69	68	67		65	64			61		59		57	56						
								50	49		47					41			38	37	36						33	
						73				32	31	30	29	28	27		24	23					20	19	18			

**MX123 52/66/73/80-WAY RECEPTACLE ASSY SEALED PIN OUT SHEET**

STATUS	GM PART #	HRNS CONN ASSY			TPA	GROMMET CAP																				
		MATERIAL/PART	WIRE DRESS OPTION	KEY OPTION 	COLOR OPTION 	NUMBERS INDICATE CAVITIES OPEN FOR CIRCUITS 																				
		NUMBER																								
SALEABLE	NOT APPLICABLE	34566-2643	0	A	BLACK	71	69	68	67	65	64	63	61	59	57	56	34	33								
						50	49		47				41	39	38	37	36									
						73			32	31	30	29	28	27		24	23	22		20	19	18				
SALEABLE	NOT APPLICABLE	34566-2653	0	A	BLACK	71	69	68	67	65	64		61	59	57	56										
						50	49		47				41	39	38	37	36						33			
						73			32	31	30	29	28	27		24	23	22		20	19	18				
SALEABLE	NOT APPLICABLE	34566-2663	0	H	ST GRAY	79	78	77	76	75	74	73	72	71	70	69	68	66	65	64	63	61				
						60	59	58	57	56			53			50						44	43	41		
						40	39	38	37		35	34		32		30	29		27	26				22	21	
SALEABLE	NOT APPLICABLE	34566-2673	0	H	ST GRAY	79	78	77	76	75	74	73	72	71	70	69	68	66	65	64	63	61				
						60	59	58	57	56			53	52		50						44	43	41		
						40	39	38	37		35	34		32		30	29		27	26				22	21	
SALEABLE	NOT APPLICABLE	34566-2683	0	H	ST GRAY	78						72	71	70	69	68	67	66	65	64	63	61				
						60	59	58	57	56			53	52	51	50		48	47				44	43	41	
						40			37		35	34		32		30	29		27	26					22	21
SALEABLE	NOT APPLICABLE	34566-2693	0	B	ST GRAY	71	70		68		66	65			60	59	58	57	56	55	54	53				
						51	50	49	48		46	45		43	42	41	40	39	38	37	36	35		33		
						73			32	31	30						24	23	22		20					
SALEABLE	NOT APPLICABLE	34566-2713	0	A	BLACK	69	68			65	64	63		61	60	59	58	56								
						52	50	49		47				41			38	37	36				34	33		
						73			32	31	30	29	28	27		25	24	23		20	19	18	17			
SALEABLE	NOT APPLICABLE	34566-2723	0	B	ST GRAY	71	70		68		66	65	64	63		60	59	58	57	56	55	54	53			
						51	50	49	48		46	45		43	42	41	40	39	38	37	36	35		33		
						73			32	31	30						24	23	22		20	19				
SALEABLE	NOT APPLICABLE	34566-2733	0	A	BLACK	70			68	67	66	65				58	57									
							49		47				44	43	42	41		39	37							
						73			32		30				27		25	24	23		21	20	19	18	17	
SALEABLE	NOT APPLICABLE	34566-2743	0	C	BLUE	72		70			67	66			63	62		59	57				53			
						52	51				46		44		42		40	39					34	33		
						73			32		30				26	25			22	21	20					
SALEABLE	NOT APPLICABLE	34566-2753	0	A	BLACK	52	51		49				44	43	42	41			58	57	56	55	54	53		
						73			32		29	28	27	26									19	18		
									16	15		13	12	11	10								3			
SALEABLE	NOT APPLICABLE	34566-2763	0	B	ST GRAY	72	71	70		68	67	66			62	61	60	59	58	57	56	55	54	53		
						52	51	50		48	47	46			42	41	40	39	38	37	36	35	34	33		
						73			32	31	30	29	28	27	26	25	24									
SALEABLE	NOT APPLICABLE	34566-2773	0	H	ST GRAY	20									9			5						61		
														53												
														32												
SALEABLE	NOT APPLICABLE	34566-2783	9	H	ST GRAY	20							53											61		
														32												
																9				5						
SALEABLE	NOT APPLICABLE	34566-2793	9	A	BLACK	67	66																			
									48	47					41				22	21			19	18	17	
						73			32	31	30	29		27		25		8	7	6	5	4	3			

MX123 52/66/73/80-WAY RECEPTACLE ASSY SEALED PIN OUT SHEET

STATUS	GM PART #	HRNS CONN ASSY			TPA	GROMMET CAP																					
		MATERIAL/PART	WIRE DRESS OPTION	KEY OPTION Fp	COLOR OPTION Fp	NUMBERS INDICATE CAVITIES OPEN FOR CIRCUITS																					
		NUMBER				Fp																					
SALEABLE	NOT APPLICABLE	34566-2813	9	B	ST GRAY	72	71	70	69	68	67	66	65	64		62	61	60	59	58	57	56	55	54			
						52	51	50	49	48		46		44				40				37	36				
						73				32	31	30	29	28	27		25	24				21	20			18	
SALEABLE	NOT APPLICABLE	34566-2823	0	A	BLACK						67	66															
											47					41											
						73				32	31	30	29		27		25			22	21			19	18	17	
SALEABLE	NOT APPLICABLE	34566-2833	0	B	ST GRAY	72	71	70	69	68	67	66	65			61	60				57	56	55	54			
						52	51	50	49	48		46		44				40				37	36				
						73				32	31	30	29	28	27			24			21	20	19	18	17		
SALEABLE	NOT APPLICABLE	34566-2843	0	A	BLACK						67	66															
											47					41											
						73				32	31	30	29		27		25			22	21			19	18	17	
SALEABLE	NOT APPLICABLE	34566-2853	0	B	ST GRAY	72	71	70	69	68	67	66	65	64	63		61	60				57	56	55	54		
						52	51	50	49	48		46		44				40				37	36				
						73				32	31	30	29	28	27			24			21	20	19	18	17		
SALEABLE	NOT APPLICABLE	34566-2863	0	A	BLACK						67	66															
											47					41											
						73				32	31	30	29		27		25			22	21			19	18	17	
SALEABLE	NOT APPLICABLE	34566-2873	0	B	ST GRAY	72	71	70	69	68	67	66							59	58	57	56	55	54			
						52	51	50	49	48	47							40			39	38	37	36	35	34	
						73					15					11	10		8		6	5	4	3			
SALEABLE	NOT APPLICABLE	34566-2883	0	A	BLACK			70	69						63	62	61			58	57	56	55	54	53		
						52	51		49				44	43	42	41						37	36			34	
						73				32			29	28	27	26									19	18	17
SALEABLE	NOT APPLICABLE	34566-2893	0	A	BLACK				69		67	66	65		63			60			57	56		53			
									49		47	46		44	43			40			37	36	35			33	
						73					31	30	29	28				24			21	20					
SALEABLE	NOT APPLICABLE	34566-2913	0	B	ST GRAY					68	67			64					58								
												46	45														
						73				32		30	29	28	27												17
SALEABLE	NOT APPLICABLE	34566-2923	0	B	ST GRAY						15																
												46	45														
						73				32		30	29	28	27												17
SALEABLE	NOT APPLICABLE	34566-2933	0	A	BLACK	72			69		67	66	65		63			60			57	56		53			
									49		47			44	43			40			37	36	35			33	
						73					31	30	29	28				24			21	20					17
SALEABLE	NOT APPLICABLE	34566-2943	0	B	ST GRAY					68	67			64	63				59		57						
												46	45			43			39		37						
						73				32		30	29	28	27						21						
SALEABLE	NOT APPLICABLE	34566-2953	0	B	ST GRAY					68	67			64	63				59								
												46	45			43			39							34	
						73				32		30	29	28	27												
SALEABLE	NOT APPLICABLE	34566-2963	0	H	ST GRAY		79						74	73	72	71		69	68	67			64		62	61	
							59						54	53	52			49	48	47						42	41
								38						33					29	28	27			25			

MX123 52/66/73/80-WAY RECEPTACLE ASSY SEALED PIN OUT SHEET

STATUS	GM PART #	HRNS CONN ASSY			TPA	GROMMET CAP																						
		MATERIAL/PART	WIRE DRESS OPTION	KEY OPTION Fp	COLOR OPTION Fp	NUMBERS INDICATE CAVITIES OPEN FOR CIRCUITS																						
		NUMBER				Fp																						
SALEABLE	NOT APPLICABLE	34566-2973	0	G	BLUE	80		78	77		75	74	73	72		70	69		67		65	64	63	62				
						60		58	57		55	54		52	51	50	49		47		45							
						40		38	37				33	32	31				27	26	25	24						
						20		18	17								10	9	8		6	5			3	2	1	
SALEABLE	NOT APPLICABLE	34566-9913	0	A	BLACK	72	71			68	67	66	65	64					59									
								50		48	47	46	45					40	39	38								
						73					31	30						25	24		22	21	20				17	
												14						9	7	6	5	4			2	1		
SALEABLE	NOT APPLICABLE	34566-9923	0	A	BLACK	72	71				67	66				62	61	60			57			55	54			
							51			48		46	45	44	43	42			39						35		33	
						73												26	25	24								
												15	14							8	7	6	5	4	3	2		
SALEABLE	NOT APPLICABLE	34566-9933	0	B	ST GRAY				69				65	64	63													
									49				45	44	43													
						73										12	11					22	21	20	19	18	17	
																						6	5	4	3	2	1	
SALEABLE	NOT APPLICABLE	34566-9943	0	C	BLUE		71		69				65	64			61	60			58		56	55	54			
								50	49			45		43		41					37	36	35					
						73					31		29	28				24	23					19	18	17		
												16		13	12	11				8	7				3	2	1	
SALEABLE	NOT APPLICABLE	34566-9953	0	A	BLACK					67						62		60			57			55				
							51			48		46	45	44	43				39						35			
						73													25									
												15	14							7	6	5	4	3	2			
SALEABLE	NOT APPLICABLE	34566-9963	0	B	ST GRAY					68	67			64	63					58			55					
												46	45		43						38			35				
						73					32		30	29	28	27					22			19		17		
												15		13				10									1	
SALEABLE	NOT APPLICABLE	34566-9973	0	B	ST GRAY					68	67			64	63					58								
												46	45		43						38							
						73					32		30	29	28	27					22						17	
												15		13				10										
SALEABLE	NOT APPLICABLE	34566-2983	9	A	BLACK				70	69					63	62	61			58	57	56	55	54	53			
						52	51		49					44	43	42	41					37	36			34		
						73					32			29	28	27	26								19	18	17	
											16	15		13	12	11	10								3	2	1	
SALEABLE	NOT APPLICABLE	34566-2993	9	B	ST GRAY	72	71	70		68	67	66				62	61	60	59	58	57	56	55	54	53			
						52	51	50		48	47	46				42	41	40	39	38	37	36	35	34	33			
						73					32	31	30	29	28	27	26	25	24									
											16	15	14	13				10	9	8								
SALEABLE	NOT APPLICABLE	34566-3013	9	C	BLUE	72	71	70	69	68	67	66			63	62			59		57	56	55		53			
						52	51					46		44		42		40	39	38						34	33	
						73					32		30				26	25			22	21			19	18		
												15	14				10	9			6	5	4	3				
SALEABLE	NOT APPLICABLE	34566-3023	0	G	BLUE		79			76					71			68		66				61				
							59			56				53					30	29	28			44	43	42	41	
							39			36	35	34													23	22	21	
							19			16	15	14	13	12	11						7				4			
SALEABLE	NOT APPLICABLE	34566-3033	0	H	ST GRAY	80		78	77	76	75					70				66	65		63					
						60		58	57	56	55					51	50				46	45	44	43				
						40	39		37	36	35	34			32	31	30			28			26		24	23	22	
						20	19	18	17	16					13	12							6	5	4	3	2	1
SALEABLE	NOT APPLICABLE	34566-3043	0	C	BLUE	72	71	70		68		66			63	62			59		57				53			
						52	51			48	47	46		44		42		40	39							34	33	
						73					32		30				27	26	25			22	21	20				
												15	14	13				10	9			6	5	4				
SALEABLE	NOT APPLICABLE	34566-3053	0	C	BLUE	72		70		68		66			63	62			59		57				53			
						52	51			48	47	46		44		42		40	39	38						34	33	
						73					32		30				27	26	25			22	21	20				
												15	14	13				10	9			6	5	4				

MX123 52/66/73/80-WAY RECEPTACLE ASSY SEALED PIN OUT SHEET

STATUS	GM PART #	HRNS CONN ASSY			TPA	GROMMET CAP																					
		MATERIAL/PART	WIRE DRESS OPTION	KEY OPTION Fp	COLOR OPTION Fp	NUMBERS INDICATE CAVITIES OPEN FOR CIRCUITS																					
		NUMBER				Fp																					
SALEABLE	NOT APPLICABLE	34566-3063	0	A	BLACK	52	71	69				65	64	63		60		58	57	56	55	54	53				
							51	49				45	44	43	42	41					37	36	35	34	33		
						73			32	30		28		26										19	18		
SALEABLE	NOT APPLICABLE	34566-3073	0	A	BLACK	52	71	69				65	64	63		60			57	56	55	54	53				
							51	49				45	44	43	42	41					37	36	35	34	33		
						73			32	30		28		26		23								19	18		
SALEABLE	NOT APPLICABLE	34566-3083	0	A	BLACK	52	71	69				65	64	63		60		58	57	56	55	54	53				
							51	49				45	44	43	42	41					37	36	35	34	33		
						73			32	30		28		26										19	18		
SALEABLE	NOT APPLICABLE	34566-3093	0	A	BLACK	52	71	69				65	64	63		60			57	56	55	54	53				
							51	49				45	44	43	42	41					37	36	35	34	33		
						73			32	30		28		26		23								19	18		
SALEABLE	NOT APPLICABLE	34566-3113	0	A	BLACK	52	71	69				65	64	63		60			57	56	55	54	53				
							51	49				45	44	43	42	41					37	36	35	34	33		
						73			32	30		28		26		23		21						19	18		
SALEABLE	NOT APPLICABLE	34566-3123	0	B	ST GRY	72		70				66					60	59				55	54	53			
						52		50				48	46				40	39						35	34	33	
						73			32	31	30	29	28	27	26	25	24										
SALEABLE	NOT APPLICABLE	34566-3133	0	C	BLUE	72		70				66			63	62		59		57				53			
						52	51					48	47	46		44		42		40	39					34	33
						73			32		30				26	25			22	21	20						
SALEABLE	NOT APPLICABLE	34566-3143	0	C	BLUE	72		70				66			63	62		59		57				53			
						52	51					46		44		42		40	39		37	36				34	33
						73			32		30				26	25			22	21							
SALEABLE	NOT APPLICABLE	34566-3153	0	A	BLACK	52		70	69						63			58			56			54			
							51	49				47			44	43	42	41					36			34	
						73			32				28		26										19	18	
SALEABLE	NOT APPLICABLE	34566-3163	0	C	BLUE	72		70							63	62		59		57	56	55		53			
						52	51					46		44		42		40	39		37	36				34	33
						73			32		30				26	25			22	21					19	18	
SALEABLE	NOT APPLICABLE	34566-3173	0	A	BLACK	52		70	69						63			58			56			54			
							51	49				47			44	43	42	41					36			34	
						73			32				28		26										19	18	17
SALEABLE	NOT APPLICABLE	34566-3183	0	C	BLUE	72		70				66			63	62		59		57	56	55		53			
						52	51					46		44		42		40	39		37	36				34	33
						73			32		30				26	25			22	21							
SALEABLE	NOT APPLICABLE	34566-3193	0	A	BLACK	52		69							63			58			56	55	54	53			
							51	49						44	43	42	41						36	35	34	33	
						73			32				28		26										19	18	17
SALEABLE	NOT APPLICABLE	34566-3213	0	C	BLUE	72		70				67	66		63	62		59		57	56	55		53			
						52	51					46		44		42		40	39		37	36				34	33
						73			32		30				26	25			22	21							
SALEABLE	NOT APPLICABLE	34566-3223	0	C	BLUE	72		70				67	66		63	62		59		57	56	55	54	53			
						52	51					46		44		42		40	39		37	36				34	33
						73			32		30			27	26	25			22	21							

MX123 52/66/73/80-WAY RECEPTACLE ASSY SEALED PIN OUT SHEET

STATUS	GM PART #	HRNS CONN ASSY			TPA	GROMMET CAP																									
		MATERIAL/PART	WIRE DRESS OPTION	KEY OPTION Fp	COLOR OPTION Fp	NUMBERS INDICATE CAVITIES OPEN FOR CIRCUITS																									
		NUMBER				Fp																									
SALEABLE	NOT APPLICABLE	34566-3233	0	A	BLACK	70	69									63	62	61				58	57	56	55	54	53				
						52	51		49					44	43	42	41										36		19	18	
						73				32				29	28	27	26													3	
SALEABLE	NOT APPLICABLE	34566-3243	0	C	BLUE	72		70							66			63	62			59		57			53				
						52	51						46		44		42		40	39								34	33		
						73				32		30				26	25			22	21										
SALEABLE	NOT APPLICABLE	34566-3253	0	A	BLACK	70	69									63						58		56	55	54	53				
						52	51		49					44	43	42	41										36		19	18	
						73				32				12		10													3		
SALEABLE	NOT APPLICABLE	34566-3263	0	C	BLUE	72		70							66			63	62			59		57	56	55	54	53			
						52	51						46		44		42		40	39									34	33	
						73				32		30				26	25			22	21									19	18
SALEABLE	NOT APPLICABLE	34566-3273	0	A	BLACK	70	69									63						58		56	55	54	53				
						52	51		49					44	43	42	41											36		19	18
						73				32				12		10														3	
SALEABLE	NOT APPLICABLE	34566-3283	0	C	BLUE	72		70							66			63	62			59		57	56	55	54	53			
						52	51						46		44		42		40	39									34	33	
						73				32		30				26	25			22	21										19
SALEABLE	NOT APPLICABLE	34566-3293	0	B	ST GRAY	72	71	70							68	67	66			62	61	60	59	58	57	56	55	54	53		
						52	51	50					48	47					42	41	40	39	38	37	36	35	34	33			
						73				32	31	30	29	28	27	26	25	24	23												
SALEABLE	NOT APPLICABLE	34566-3313	0	C	BLUE	72		70									63	62			59		57				53				
						52	51						46		44		42		40	39									34	33	
						73				32		30				26	25			22	21										
SALEABLE	NOT APPLICABLE	34566-3323	0	B	ST GRAY				49						68	67	66	65	64	63					58		55				
													48		46	45	44	43													
						73				32		30	29	28	27																17
SALEABLE	NOT APPLICABLE	34566-3333	0	A	BLACK	72	71	70	69						68			65	64	63		61		59	58	57	56		54		
						52	51	50	49					47					42	41			38	37	36			34	33		
						73				32	31	30	29	28	27	26		24	23										20	19	18
SALEABLE	NOT APPLICABLE	34566-3343	0	A	BLACK	72			69						67	66	65			63			60		57	56		53			
									49				47		44	43	42		40					37	36	35			33		
						73				32		30	29	28		26		24							21	20					17
SALEABLE	NOT APPLICABLE	34566-3353	0	B	ST GRAY					68	67				64						59	58					54				
													46	45									39	38							
						73				32		30	29	28	27									23	22						17
SALEABLE	NOT APPLICABLE	34566-3363	0	A	BLACK		71		69						68			65	64	63		61		59		57	56		54		
						52		50	49					47					42	41	40	39	38	37	36			34	33		
						73				32	31	30	29	28	27	26		24	23	22									20	19	18
SALEABLE	NOT APPLICABLE	34566-3373	9	C	BLUE	72		70							68	67	66			63	62		59		57	56	55	54	53		
						52	51						48	47	46		44		42		40	39	38						34	33	
						73				32		30				26	25			22	21									19	18
SALEABLE	NOT APPLICABLE	34566-3383	0	A	BLACK			70	69						68			65	64	63		61		59	58	57	56		54		
						52		50	49					48	47				42	41			38	37	36			34	33		
						73				32	31	30	29	28	27	26		24	23										20	19	18

MX123 52/66/73/80-WAY RECEPTACLE ASSY SEALED PIN OUT SHEET

STATUS	GM PART #	HRNS CONN ASSY			TPA	GROMMET CAP																							
		MATERIAL/PART	WIRE DRESS OPTION	KEY OPTION Fp	COLOR OPTION Fp	NUMBERS INDICATE CAVITIES OPEN FOR CIRCUITS																							
		NUMBER				Fp																							
SALEABLE	NOT APPLICABLE	34566-3393	0	C	BLUE	72		70		68	67	66			63	62			59		57					53			
						52	51			48	47	46		44			42		40	39								34	33
						73						32		30				26	25			22	21						
SALEABLE	NOT APPLICABLE	34566-3413	0	A	BLACK	72		70			67	66	65				61			58	57			55	54				
								50	49		47		45	44	43	42	41		39		37		35						
						73						32		30			27	26	25	24			21	20	19	18	17		
SALEABLE	NOT APPLICABLE	34566-3423	9	C	BLUE				69						63				58		56	55	54	53					
						52	51		49				44	43	42	41							36	35	34	33			
						73						32				28		26						19	18	17			
SALEABLE	NOT APPLICABLE	34566-3433	9	C	BLUE										63	62			59		57	56	55	54	53				
						52	51						44	43	42	41									34	33			
						73								30				26	25			22	21						
SALEABLE	NOT APPLICABLE	34566-3443	0	A	BLACK		71		69				65	64	63			60			57	56	55	54	53				
						52	51		49				45	44	43	42	41					37	36	35	34	33			
						73						32		30		28		26			23				19	18			
SALEABLE	NOT APPLICABLE	34566-3453	0	A	BLACK																								
						73																		20					
																												1	
SALEABLE	NOT APPLICABLE	34566-3463	9	H	ST GRAY																				61				
						20																						1	
SALEABLE	NOT APPLICABLE	34566-3473	9	B	ST GRAY	72	71	70	69	68	67	66	65	64		62	61	60	59	58	57	56	55	54					
						52	51	50	49			46		44				40		38	37	36							
						73						32	31	30	29	28	27		25	24			21	20		18	17		
SALEABLE	NOT APPLICABLE	34566-3483	0	B	ST GRAY	72	71	70	69	68	67	66	65			61	60			57	56	55	54						
						52	51	50	49	48		46		44			40		38	37	36								
						73						32	31	30	29	28	27		24			21	20	19	18	17			
SALEABLE	NOT APPLICABLE	34566-3493	0	A	BLACK			70			67	66	65				61			58	57			55	54				
									49		47		45	44	43	42	41		39		37		35						
						73						32		30			27	26	25	24			21	20	19	18	17		
SALEABLE	NOT APPLICABLE	34566-3513	0	A	BLACK			70	69						63	62	61	60			58	57	56	55	54	53			
						52	51		49				44	43	42	41							37	36			34		
						73						32		29	28	27	26									19	18		
SALEABLE	NOT APPLICABLE	34566-3523	0	A	BLACK	72		70							63	62						56	55	54					
						52			49					44	43	42								36	35	34			
						73							31		28		26						21	20	19	18			
SALEABLE	NOT APPLICABLE	34566-3533	9	A	BLACK				69						63				58		56	55	54	53					
						52	51		49				44	43	42	41								36	35	34	33		
						73						32				28		26								19	18	17	
SALEABLE	NOT APPLICABLE	34566-3543	9	A	BLACK			70							63	62			59		57	56	55	54	53				
						52	51						44	43	42		40	39								34	33		
						73							30				26	25			22	21							
SALEABLE	NOT APPLICABLE	34566-3553	9	C	BLUE	72	71	70	69	68	67	66	65		63	62	61		59	58	57	56	55	54	53				
							51	50	49	48		46	45	44	43	42	41	40	39	38			36	35	34	33			
						73							31	30	29	28	27	26	25			22		20	19	18	17		



**MX123 52/66/73/80-WAY RECEPTACLE ASSY SEALED PIN OUT SHEET**

STATUS	GM PART #	HRNS CONN ASSY			TPA	GROMMET CAP																																
		MATERIAL/PART	WIRE DRESS OPTION	KEY OPTION Fp	COLOR OPTION Fp	NUMBERS INDICATE CAVITIES OPEN FOR CIRCUITS																																
		NUMBER				Fp																																
SALEABLE	NOT APPLICABLE	34566-3563	9	C	BLUE	72		70		68	67	66			63	62			59		57											53						
						52	51			48	47	46		44		42		40	39	38			22	21										34	33			
						73							32		30			27	26	25																		
SALEABLE	NOT APPLICABLE	34566-3573	9	C	BLUE			70	69	68					63	62	61			58	57	56	55	54	53													
						52	51	50	49	48	47			44	43	42	41							37	36										34			
						73							32			29	28	27	26															19	18			
SALEABLE	NOT APPLICABLE	34566-3583	9	A	BLACK			70	69						63	62	61			58	57	56	55	54	53													
						52	51	50	49					44	43	42	41																			34		
						73							32			29	28	27	26																19	18		
SALEABLE	NOT APPLICABLE	34566-3593	0	A	BLACK		71		69						64	63		60		58	57	56	55	54	53													
						52	51		49					45	44	43	42	41																		34	33	
						73							32		30		28		26																	19	18	
SALEABLE	NOT APPLICABLE	34566-3613	0	B	ST GRY					68	67				64	63			59																			
														46	45																							
						73							32		30	29	28	27																				
SALEABLE	NOT APPLICABLE	34566-3623	0	A	BLACK	72		70	69						63	62	61	60	59	58	57	56	55	54	53													
						52	51		49					44	43	42	41																					
						73							32			29	28	27	26																	19	18	
SALEABLE	NOT APPLICABLE	34566-3633	0	C	BLUE	72		70		68	67	66			63	62			59		57													53				
						52	51			48	47	46		44				40	39	38	37	36														34	33	
						73							32		30			26	25	24	23	22	21															
SALEABLE	NOT APPLICABLE	34566-3643	0	B	ST GRY	72	71	70		68	67	66		64	63			59																53				
						52	51	50		48	47	46								39																34	33	
						73							32	31	30	29	28	27	26	25	24																17	
SALEABLE	NOT APPLICABLE	34566-3653	0	B	ST GRY	72	71	70	69	68		66	65	64	63			59																	53			
						52	51	50	49	48	47	46	45	44	43				39																		34	33
						73							32		30	29	28	27	26	25	24															3	2	1
SALEABLE	NOT APPLICABLE	34566-3663	0	A	BLACK	72		70	69						63	62	61	60	59	58	57	56	55	54	53													
						52	51		49					44	43	42	41																					
						73							32			29	28	27	26																	19	18	
SALEABLE	NOT APPLICABLE	34566-3673	9	C	BLUE		71	70	69	68	67		65		63	62	61		59	58	57	56	55	54	53													
							51	50	49	48				45	44	43	42	41	40	39	38			36	35	34	33											
						73								31	30	29	28	27	26																22		20	19
SALEABLE	NOT APPLICABLE	34566-3683	9	H	ST GRY																													61				
						20								15							9																1	
SALEABLE	NOT APPLICABLE	34566-3693	0	C	BLUE	72		70		68	67	66			63	62			59		57														53			
						52	51			48	47	46		44		42		40	39	38																	34	33
						73							32		30			27	26	25																		
SALEABLE	NOT APPLICABLE	34566-3713	0	C	BLUE			70		68	67	66			63	62	61		59		57														53			
						52	51			48	47	46		44		42		40	39																		34	33
						73							32		30			27	26	25																		
SALEABLE	NOT APPLICABLE	34566-3723	0	A	BLACK			70	69						63	62	61		58	57	56	55	54	53														
						52	51	50	49					44	43	42	41																					
						73							32			29	28	27	26																		19	18

MX123 52/66/73/80-WAY RECEPTACLE ASSY SEALED PIN OUT SHEET

STATUS	GM PART #	HRNS CONN ASSY			TPA	GROMMET CAP																				
		MATERIAL/PART	WIRE DRESS OPTION	KEY OPTION Fp	COLOR OPTION Fp	NUMBERS INDICATE CAVITIES OPEN FOR CIRCUITS																				
		NUMBER				Fp																				
SALEABLE	NOT APPLICABLE	34566-3733	0	B	ST GRY	72	71	70		68	67	66				62	61	60	59	58	57	56	55	54	53	
						52	51	50		48	47	46				42	41	40	39	38	37	36	35	34	33	
						73				32	31	30	29	28	27	26	25	24	23							
SALEABLE	NOT APPLICABLE	34566-3743	0	C	BLUE	72		70		68		66			63	62			59		57			53		
						52	51			48	47	46		44		42		40	39	38					34	33
						73				32		30			27	26	25			22	21					
SALEABLE	NOT APPLICABLE	34566-3753	0	C	BLUE	72		70		68		66			63	62			59		57			53		
						52	51			48	47	46		44		42		40	39						34	33
						73				32		30			27	26	25			22	21					
SALEABLE	NOT APPLICABLE	34566-3763	0	C	BLUE	72		70		68		66			63	62			59		57	56	55	54	53	
						52	51			48	47	46		44		42		40	39						34	33
						73				32		30			27	26	25			22	21					
SALEABLE	NOT APPLICABLE	34566-3773	0	A	BLACK			70	69						63				58		56	55	54	53		
						52	51	50	49					44	43	42	41		39				36		34	
						73				32					28		26							19	18	
SALEABLE	NOT APPLICABLE	34566-3783	0	A	BLACK			70	69						63				58		56	55	54	53		
						52	51	50	49					44	43	42	41		39				36		34	
						73				32					28		26							19	18	17
SALEABLE	NOT APPLICABLE	34566-3793	0	A	BLACK		71	70						64	63			60		58	57	56	55	54	53	
						52	51		49				45	44	43	42	41				37	36			34	
						73				32		30			28		26		23		21		19	18		
SALEABLE	NOT APPLICABLE	34566-3813	0	C	BLUE	72		70		68		66			63	62			59		57			53		
						52	51			48	47	46		44		42		40	39	38	37	36			34	33
						73				32		30				26	25	24		22	21	20				
SALEABLE	NOT APPLICABLE	34566-3823	0	A	BLACK			70	69						63		61		58	57	56	55	54	53		
						52	51		49					44	43		41				37	36			34	
						73				32					27	26								19	18	
SALEABLE	NOT APPLICABLE	34566-3833	0	A	BLACK			70	69						63	62	61			57	56	55	54	53		
						52	51		49					44	43	42	41				37	36			34	
						73				32			29	28	27	26			23					19	18	
SALEABLE	NOT APPLICABLE	34566-3843	0	A	BLACK	72	71	70	69	68	67	66			64	63	62		60	59			55	54	53	
						52			49	48				44	43	42	41	40	39					35	34	33
						73				32			29	28	27		25	24	23					19	18	17
SALEABLE	NOT APPLICABLE	34566-3853	0	A	BLACK	72	71	70	69	68	67	66	65	64	63	62		60	59			55	54	53		
						52			49	48			45	44	43	42	41	40	39				35	34	33	
						73				32			29	28	27		25	24	23					19	18	17
SALEABLE	NOT APPLICABLE	34566-3863	0	B	ST GRY	72	71	70		68	67	66				62	61	60	59	58	57	56	55	54	53	
						52	51	50		48	47	46				42	41	40	39	38	37	36	35	34	33	
						73				32	31	30	29	28	27	26	25	24								
SALEABLE	NOT APPLICABLE	34566-3873	0	B	ST GRY										63				59	58	57	56	55			
								50	49	48		46	45		43					39	38	37	36	35	34	
						73							29	27					23	22	21					18
SALEABLE	NOT APPLICABLE	34566-3883	0	B	ST GRY						67	66						59	58	57	56	55		53		
								50	49	48			45						39	38	37	36	35	34	33	
						73							29						23	22	21					18

### MX123 52/66/73/80-WAY RECEPTACLE ASSY SEALED PIN OUT SHEET

STATUS	GM PART #	HRNS CONN ASSY			TPA	GROMMET CAP																									
		MATERIAL/PART	WIRE DRESS OPTION	KEY OPTION $\nabla$ Fp	COLOR OPTION $\nabla$ Fp	NUMBERS INDICATE CAVITIES OPEN FOR CIRCUITS																									
		NUMBER				$\nabla$ Fp																									
SALEABLE	NOT APPLICABLE	34566-3893	0	C	BLUE	72				68	67	66			63	62			59		57						53				
						52	51			48	47	46		44			42					22	21						34	33	
						73						32					27	26	25							6	5	4			
SALEABLE	NOT APPLICABLE	34566-3913	0	A	BLACK		71	70	69						64	63			60				58	57	56	55	54	53			
						52	51		49					45	44	43	42	41					37	36				34			
						73						32				28		26			23			21				19	18		
SALEABLE	NOT APPLICABLE	34566-3923	0	B	ST GR Y	72			70				68			66					60	59					55	54	53		
						52			50			48			46							40	39					35	34	33	
						73						32	31	30	29	28	27	26	25	24	23									19	18
SALEABLE	NOT APPLICABLE	34566-3933	0	A	BLACK		71	70	69							64	63			60				58	57	56	55	54	53		
						52	51		49					45	44	43	42	41					37	36					34		
						73						32				28		26												19	18
SALEABLE	NOT APPLICABLE	34566-3943	0	C	BLUE	72			70				68			66					60	59					55	54	53		
						52			50			48			46							40	39					35	34	33	
						73						32	31	30	29	28	27	26	25	24											
SALEABLE	NOT APPLICABLE	34566-3953	0	C	BLUE	72			70				68						63	62			59		57			53			
						52	51			48	47	46		44			42			40	39								34	33	
						73						32						26	25				23	22	21	20					
SALEABLE	NOT APPLICABLE	34566-3963	0	C	BLUE	72			70				68	67	66			63	62			59		57				53			
						52	51			48	47	46		44			42			40	39	38							34	33	
						73						32						26	25					22	21						
SALEABLE	NOT APPLICABLE	34566-3973	0	C	BLUE	72			70				68	67				63	62			59		57				53			
						52	51			48	47	46		44			42			40	39	38							34	33	
						73						32						26	25					22	21						
SALEABLE	NOT APPLICABLE	34566-3983	0	A	BLACK		71	70	69							64	63			60	59	58	57	56	55	54	53				
						52	51		49					45	44	43	42	41	40				37	36					34		
						73						32				28		26												19	18
SALEABLE	NOT APPLICABLE	34566-3993	0	A	BLACK			70	69							63	62	61	60			58	57	56	55	54	53				
						52	51		49					44	43	42	41	40					37	36					34		
						73						32				29	28	27	26											19	18
SALEABLE	NOT APPLICABLE	34566-4013	0	B	ST GR Y	72			70				68			66					60	59					55	54	53		
						52			50			48			46							40	39					35	34	33	
						73						32	31	30	29	28	27	26	25	24											
SALEABLE	NOT APPLICABLE	34566-4023	0	B	ST GR Y	72	71	70					68	67	66				62	61	60	59	58	57	56	55	54	53			
						52	51	50				48	47	46				42	41	40	39	38	37	36	35	34	33				
						73						32	31	30	29	28	27	26	25	24											
SALEABLE	NOT APPLICABLE	34566-4033	0	C	BLUE	72			70				68					63	62			59	58	57				53			
						52	51			48	47			44			42			40	39	38							34	33	
						73						32						26	25					22	21	20					17
SALEABLE	NOT APPLICABLE	34566-4043	0	A	BLACK		71	70	69							64	63			60				58	57	56	55	54	53		
						52	51		49					45	44	43	42	41	40					37	36					34	
						73						32				28		26				23									19
SALEABLE	NOT APPLICABLE	34566-4053	0	A	BLACK	72				69				67	66	65		63			60				57	56			53		
									49			47	46		44	43	42		40								37	36	35		33
						73						32				31	30	29	28	27	26			24							

MX123 52/66/73/80-WAY RECEPTACLE ASSY SEALED PIN OUT SHEET

STATUS	GM PART #	HRNS CONN ASSY			TPA	GROMMET CAP																								
		MATERIAL/PART	WIRE DRESS OPTION	KEY OPTION Fp	COLOR OPTION Fp	NUMBERS INDICATE CAVITIES OPEN FOR CIRCUITS																								
		NUMBER				Fp																								
SALEABLE	NOT APPLICABLE	34566-4063	0	B	ST GRY					68	67			64					59	58					54					
SALEABLE	NOT APPLICABLE	34566-4073	0	A	BLACK	72			70					66			63	62			59		57	56	55		53			
						52	51						46		44		42		40	39			37	36			34	33		
SALEABLE	NOT APPLICABLE	34566-4083	0	C	BLUE	72			70					68				63	62			59	58	57			53			
						52	51						48	47			44		42		40	39	38	37	36			34	33	
SALEABLE	NOT APPLICABLE	34566-4093	0	A	BLACK		71	70	69					67			64	63			60			57	56	55	54	53		
						52	51		49				47		45	44	43	42	41							37	36		34	
SALEABLE	NOT APPLICABLE	34566-4113	0	B	ST GRY					68	67																			
SALEABLE	NOT APPLICABLE	34566-4123	9	A	BLACK	72				69				67	66	65		63			60			57	56			53		
									49				47	46		44	43	42		40						37	36	35		33
SALEABLE	NOT APPLICABLE	34566-4133	9	B	ST GRY					68	67																			
SALEABLE	NOT APPLICABLE	34566-4143	0	B	ST GRY					68	67																			
SALEABLE	NOT APPLICABLE	34566-4153	0	B	ST GRY	72			70					68																
						52			50				48		46		44													
SALEABLE	NOT APPLICABLE	34566-4163	0	B	ST GRY	72			70					68																
						52			50				48		46															
SALEABLE	NOT APPLICABLE	34566-4173	0	A	BLACK	72	71	70	69								64	63												
						52	51		49				47		45	44	43	42	41											
SALEABLE	NOT APPLICABLE	34566-4183	0	C	BLUE	72			70					68				63	62			59	58	57				53		
						52	51						48	47	46		44		42		40	39							34	33
SALEABLE	NOT APPLICABLE	34566-4193	0	C	BLUE		71		69																					
									50	49																				
SALEABLE	NOT APPLICABLE	34566-4213	0	A	BLACK	72	71							68	67	66	65	64												
									50				48	47	46	45														
SALEABLE	NOT APPLICABLE	34566-4223	0	A	BLACK	72	71							68	67	66	65	64												
									50				48	47	46	45														



MX123 52/66/73/80-WAY RECEPTACLE ASSY SEALED PIN OUT SHEET

STATUS	GM PART #	HRNS CONN ASSY			TPA	GROMMET CAP																							
		MATERIAL/PART	WIRE DRESS OPTION	KEY OPTION Fp		COLOR OPTION Fp	NUMBERS INDICATE CAVITIES OPEN FOR CIRCUITS																						
		NUMBER																											
SALEABLE	NOT APPLICABLE	34566-4393	0	G	BLUE	60	58	57	75	74	72	70	69	67	65	64	63	62											
						40	38	37	55	54	33	32	31	27	26	25	24												
						20	18	17						10	9	8	6	5	3	2	1								
SALEABLE	NOT APPLICABLE	34566-4413	0	B	ST GRAY		50	49	48	46	29	27	23	22	21	18													
						73			16	15	14					7	6	5	4	3									
SALEABLE	NOT APPLICABLE	34566-4423	9	C	BLUE	72		70	68	67	66	63	62	59	57														
						52	51		48	47	46	44	42	40	39	38	37	36	34	33									
						73			32		30	27	26	25	24	22	21												
									15	14			10	9	8	6	5	4		2									
SALEABLE	NOT APPLICABLE	34566-4433	9	A	BLACK	52	51	70	69			63	62	61	60	58	57	56	55	54	53								
								50	49			44	43	42	41	40	37	36	35	34	33								
						73			32		29	28	27	26						19	18								
									16	15	14	13	12	11	10						3								
SALEABLE	NOT APPLICABLE	34566-4443	9	A	BLACK				67	66																			
									48	47				41															
						73			32	31	30	29	27	26	25	22	21	19	18	17									
									16	15	14	13																	
SALEABLE	NOT APPLICABLE	34566-4453	0	A	BLACK	72	71	70	69	68	67	66	65	64	63	62	61	60	59	58	57	56	55	54	53				
						52	51	50	49	48		46	45	44	43	42	40	39	38	37	36	35	34	33					
						73							28			24	23												
													12	11												2	1		
SALEABLE	NOT APPLICABLE	34566-4463	9	B	ST GRAY					48	47	45	43	42	39			35	34	33									
						73							11			23	22			19									
SALEABLE	NOT APPLICABLE	34566-4473	0	B	ST GRAY							64	63	62	59	58													
									47	45	43	42	39			35	34	33											
						73							26	25	23	22													
SALEABLE	NOT APPLICABLE	34566-4483	9	C	BLUE	72		70	68	67	66	63	62	59	58	57	56	55	54	53									
						52	51	49	48	47	46	44	40	39	38	37	36	35	34	33									
						73			32		30	27	26	25	24	23	22	21	20	19	18	17							
									15	14	13		10	9	8	7	6	5	4	3	2	1							
SALEABLE	NOT APPLICABLE	34566-4493	9	A	BLACK	72	71	70	69	67		64	63	62	61	60	59	58	57	56	55	54	53						
						52	51	50	49	48	47	45	44	43	42	41	40	39	37	36	34								
						73			32		30	29	28	27	26	24	23	21	19	18	17								
									16	15	14	13	12	11	10		8	5	3	2	1								
SALEABLE	NOT APPLICABLE	34566-4513	9	B	ST GRAY	72	71	70	68	67	66			62	61	60	59	58	57	56	55	54	53						
						52	51	50	48	47	46			42	41	40	39	38	37	36	35	34	33						
						73			32	31	30	29	28	27	26	25	24	23			19	18	17						
									16	15	14	13		10		8	7			3	2	1							
SALEABLE	NOT APPLICABLE	34566-4523	0	G	BLUE		78	77	75	74	72	70	69	67	65	64	63	62											
						60	58	57	55	54	52	51	50	49	47	45	44	43	42	41	40	39	38	37	36	35	34	33	
						40	38	37							27	26	25	24											
						20	18	17							10	9	8	6	5	3	2	1							
SALEABLE	NOT APPLICABLE	34566-4533	0	A	BLACK	72		69	67		65	63		60		57	56												
								49	47		44	43		40		37	36	35	34	33									
						73					31	30	29	28			24		21	20									
									16	15	14	13		11	10				5	4	3	2	1						
SALEABLE	NOT APPLICABLE	34566-4543	0	B	ST GRAY				68	67		64	63		58	57		55	54	53									
									46	45	43				38	37		35											
						73			32		30	29	28	27															
													12		10														
SALEABLE	NOT APPLICABLE	34566-4553	0	B	ST GRAY				68	67		64	63		58	57													
									46	45	43				38	37													
						73			32		30	29	28	27															
													12		10														

MX123 52/66/73/80-WAY RECEPTACLE ASSY SEALED PIN OUT SHEET

STATUS	GM PART #	HRNS CONN ASSY			TPA	GROMMET CAP																																								
		MATERIAL/PART	WIRE DRESS OPTION	KEY OPTION Fp		COLOR OPTION Fp	NUMBERS INDICATE CAVITIES OPEN FOR CIRCUITS																																							
		NUMBER					Fp																																							
SALEABLE	NOT APPLICABLE	34566-4563	0	B	ST GRAY							68	67			64	63									58						55							53							
																	32			46	45											38											17			
																																														1
SALEABLE	NOT APPLICABLE	34566-4573	0	B	ST GRAY							68	67			64	63												58												53					
																																		38										17		
																																													1	
SALEABLE	NOT APPLICABLE	34566-4583	0	B	ST GRAY							68	67			64														58												53				
																																			38										17	
																																														1
SALEABLE	NOT APPLICABLE	34566-4593	0	B	ST GRAY							68	67			64														58													53			
																																			38										17	
SALEABLE	NOT APPLICABLE	34566-4613	0	A	BLACK	72			69																						57	56										53				
									49																																					33
SALEABLE	NOT APPLICABLE	34566-4623	0	B	ST GRAY	72			70																																		53			
						52			50																																					33
SALEABLE	NOT APPLICABLE	34566-4633	0	A	BLACK		71	70	69																																		53			
						52	51		49																																					34
SALEABLE	NOT APPLICABLE	34566-4643	0	B	ST GRAY	72			70																																		53			
						52			50																																					33
SALEABLE	NOT APPLICABLE	34566-4653	0	A	BLACK		71	70	69																																			53		
						52	51		49																																					34
SALEABLE	NOT APPLICABLE	34566-4663	0	A	BLACK		71	70	69																																			53		
						52	51		49																																					34
SALEABLE	NOT APPLICABLE	34566-4673	0	A	BLACK																																									
SALEABLE	NOT APPLICABLE	34566-4683	9	B	ST GRAY	72	71	70	69																																					
						52	51	50	49																																					
SALEABLE	NOT APPLICABLE	34566-4693	0	B	ST GRAY	72	71	70	69																																					
						52	51	50	49																																					
SALEABLE	NOT APPLICABLE	34566-4713	0	A	BLACK	72	71	70	69																																					
						52	51		49																																					
SALEABLE	NOT APPLICABLE	34566-4723	0	A	BLACK	72	71	70	69																																					
						52	51		49																																					

MX123 52/66/73/80-WAY RECEPTACLE ASSY SEALED PIN OUT SHEET

STATUS	GM PART #	HRNS CONN ASSY			TPA	GROMMET CAP																						
		MATERIAL/PART	WIRE DRESS OPTION	KEY OPTION Fp	COLOR OPTION Fp	NUMBERS INDICATE CAVITIES OPEN FOR CIRCUITS																						
		NUMBER				Fp																						
SALEABLE	NOT APPLICABLE	34566-4733	0	A	BLACK	72	71	70	69					64	63			60	59	58		56	55	54	53			
						52	51		49		47		45	44	43	42	41						21		36		19	18
						73				32		30		28		26							8		5		3	
SALEABLE	NOT APPLICABLE	34566-4743	9	A	BLACK	72	71	70	69		67		65	64	63	62	61	60	59	58	57	56	55	54	53			
						52	51	50	49	48	47		45	44	43	42	41	40	39		37	36				34		
						73				32		30	29	28	27	26		24	23		21				19	18	17	
SALEABLE	NOT APPLICABLE	34566-4753	0	B	ST GRAY					68	67			64						58								
											46	45										38						
						73				32		30	29	28	27						22							17
SALEABLE	NOT APPLICABLE	34566-4763	0	B	ST GRAY					68	67			64														
											46	45																
						73				32		30	29	28	27													17
SALEABLE	NOT APPLICABLE	34566-4773	0	B	ST GRAY					68	67			64				59	58					54				
											46	45							39	38								
						73				32		30	29	28	27				23	22								17
SALEABLE	NOT APPLICABLE	34566-4783	0	B	ST GRAY					68	67			64	63					58				55				
											46	45		43							38					35		
						73				32		30	29	28	27						22						19	17
SALEABLE	NOT APPLICABLE	34566-4793	0	B	ST GRAY					68	67			64	63					58								
											46	45		43							38							
						73				32		30	29	28	27				10									17
SALEABLE	NOT APPLICABLE	34566-4813	9	B	ST GRAY					68	67			64				59	58						54			
											46	45							39	38								
						73				32		30	29	28	27				10	9	8		6					17
SALEABLE	NOT APPLICABLE	34566-4823	0	C	BLUE		51	50	49	68	67	66	65	64		43	42	41	40	39	38	37		55	54	53		
										32	31	30					26		24	23	22				20			33
						73				16			13				10	9	8	7	6	5	4	3	2			
SALEABLE	NOT APPLICABLE	34566-4833	0	C	BLUE	72		70		68	67	66			63	62			59		57				53			
						52	51			48	47	46		44		42		40	39		37	36				34	33	
						73				32		30			27	26	25	24		22	21							
SALEABLE	NOT APPLICABLE	34566-4843	0	C	BLUE	72		70		68	67	66			63	62			59		57				53			
						52	51			48	47	46		44		42		40	39	38	37	36				34	33	
						73				32		30			27	26	25	24		22	21							
SALEABLE	NOT APPLICABLE	34566-4853	0	C	BLUE					68		66			63	62			59		57	56	55		53			
						52	51			48	47	46		44		42		40	39		37	36				34	33	
						73				32		30			27	26	25	24		22	21					19	18	
SALEABLE	NOT APPLICABLE	34566-4863	0	C	BLUE					68		66			63	62			59		57				53			
						52	51			48	47	46		44		42		40	39	38	37	36				34	33	
						73				32		30			27	26	25	24		22	21							
SALEABLE	NOT APPLICABLE	34566-4873	0	C	BLUE					68		66			63	62			59		57				53			
						52	51			48	47	46		44		42		40	39		37	36				34	33	
						73				32		30			27	26	25	24		22	21							
SALEABLE	NOT APPLICABLE	34566-4883	9	A	BLACK	72			69		67		65		63			60			57	56			53			
									49		47	46		44	43			40			37	36	35				33	
						73				32		30	29	28				24			21	20						17



MX123 52/66/73/80-WAY RECEPTACLE ASSY SEALED PIN OUT SHEET

STATUS	GM PART #	HRNS CONN ASSY			TPA	GROMMET CAP																						
		MATERIAL/PART	WIRE DRESS OPTION	KEY OPTION Fp	COLOR OPTION Fp	NUMBERS INDICATE CAVITIES OPEN FOR CIRCUITS																						
		NUMBER				Fp																						
SALEABLE	NOT APPLICABLE	34566-4893	9	B	ST GRAY					68	67			64	63					58			55					
SALEABLE	NOT APPLICABLE	34566-4913	9	B	ST GRAY					68	67			64	63					58	57		55		53			
SALEABLE	NOT APPLICABLE	34566-4923	9	A	BLACK	72			69		67		65		63		60		57	56					53			
									49		47		44	43		40		37	36	35							33	
SALEABLE	NOT APPLICABLE	34566-4933	0	C	BLUE	72		70		68	67	66			63	62		59	57						53			
						52	51			48	47	46		44		40	39		37	36	35	34	33					
SALEABLE	NOT APPLICABLE	34566-4943	0	A	BLACK			70	69	68	67				63	62	61	60	59	58	57	56	55	54	53			
						52	51	50	49					44	43	42	41		39	38	37	36				34		
SALEABLE	NOT APPLICABLE	34566-4953	0	B	ST GRAY	72	71	70	69	68	67	66	65	64	63				59						53			
						52	51	50	49	48	47	46	45	44	43				39							34	33	
SALEABLE	NOT APPLICABLE	34566-4963	9	A	BLACK	72			69		67	66	65		63		60		57	56					53			
									49		47	46		44	43	42	40		37	36	35						33	
SALEABLE	NOT APPLICABLE	34566-4973	9	B	ST GRAY					68	67			64					59	58					54			
SALEABLE	NOT APPLICABLE	34566-4983	0	B	ST GRAY	72		70		68		66					60	59					55	54	53			
						52		50		48		46		44		40	39								35	34	33	
SALEABLE	NOT APPLICABLE	34566-4993	0	A	BLACK	72	71	70	69		67			64	63		60	59				56	55	54	53			
						52	51		49		47		45	44	43	42	41					36				34		
SALEABLE	NOT APPLICABLE	34566-5013	9	B	ST GRAY					68	67			64	63			59	58					55	54			
SALEABLE	NOT APPLICABLE	34566-5023	0	C	BLUE	72		70		68	67			63	62		59	57							53			
						52	51			48	47	46		44		40	39		37	36						34	33	
SALEABLE	NOT APPLICABLE	34566-5033	0	A	BLACK			70	69					63	62	61	60		58	57	56	55	54	53				
						52	51		49					44	43	42	41					37	36	35	34	33		
SALEABLE	NOT APPLICABLE	34566-5043	0	A	BLACK																							
SALEABLE	NOT APPLICABLE	34566-5053	0	B	ST GRAY																							

MX123 52/66/73/80-WAY RECEPTACLE ASSY SEALED PIN OUT SHEET

STATUS	GM PART #	HRNS CONN ASSY			TPA	GROMMET CAP																						
		MATERIAL/PART	WIRE DRESS OPTION	KEY OPTION Fp	COLOR OPTION Fp	NUMBERS INDICATE CAVITIES OPEN FOR CIRCUITS																						
		NUMBER				Fp																						
SALEABLE	NOT APPLICABLE	34566-5063	9	H	ST GRY	80	79	78	77	76	75	74	73	72	71	70	69	68	67	66	65	64	63	62	61			
						60	59	58	57	56	55	54	53	52	51	50	49	48	47	46	45	44	43	42	41	40		
						40	39	38	37		35	34	33	32		30	29		27	26		24	23	22	21			
						20	19	18	17			14	13	12	11	10	9	8		6	5			3	2			
SALEABLE	NOT APPLICABLE	34566-5073	9	A	BLACK	72	71	70	69	68	67	66	65	64	63	62	61	60	59	58	57	56	55	54	53			
						52	51	50	49	48	47	46	45	44	43	42	41	40	39	38	37	36		34	33			
						73				32	31	30	29	28	27	26		24	23	22	21	20	19	18				
						73				16				13	12	11	10	9	8									1
SALEABLE	NOT APPLICABLE	34566-5083	9	A	BLACK			70	69						63	62	61	60		58	57	56	55	54	53			
						52	51		49				44	43	42	41			38	37					34			
						73				32				29	28	27	26			23						19	18	
						73				16	15			13	12	11	10		8							3		
SALEABLE	NOT APPLICABLE	34566-5093	0	B	ST GRY	72	71	70	69	68	67	66	65	64	63	62	61	60	59	58	57	56	55	54	53			
						52	51	50	49	48	47	46	45	44	43	42	41	40	39	38	37	36	35	34	33			
						73								29		27				23	22	21					18	
						73				16	15	14	13						8	7	6	5	4	3				
SALEABLE	NOT APPLICABLE	34566-5113	0	A	BLACK	72	71	70	69	68	67	66		64	63	62		60	59				55	54	53			
						52			49	48				44	43	42	41	40	39					35	34	33		
						73				32				29		27		25	24	23					19	18	17	
						73				16				13	12	11		9	8	7	6	5	4	3	2	1		
SALEABLE	NOT APPLICABLE	34566-5123	9	C	BLUE	72		70		68	67	66			63	62		59		57				53				
						52	51			48	47	46	45	44				40	39	38	37	36			34	33		
						73				32		30				27	26	25	24		22	21	20					
						73					15	14					10	9	8		6	5	4			2		
SALEABLE	NOT APPLICABLE	34566-5133	9	B	ST GRY	72	71	70		68	67	66				62	61	60	59	58	57	56	55	54	53			
						52	51	50		48	47	46				42	41	40	39	38	37	36	35	34	33			
						73				32	31	30	29	28	27	26	25	24	23									
						73				16	15	14	13					10	9	8								
SALEABLE	NOT APPLICABLE	34566-5143	0	C	BLUE	72		70		68	67	66			63	62		59		57				53				
						52	51			48	47	46		44		42		40	39		37	36			34	33		
						73				32		30				26	25	24		22	21	20						
						73					15	14					10	9	8		6	5	4			2		
SALEABLE	NOT APPLICABLE	34566-5153	0	A	BLACK			70	69						63	62	61	60		58	57	56	55	54	53			
						52	51		49		47			44	43	42	41			37	36	35	34	33				
						73				32				29	28	27	26	25							19	18		
						73				16	15			13	12	11	10								3			
SALEABLE	NOT APPLICABLE	34566-5163	9	A	BLACK	72			69		67		65		63			60			57	56			53			
									49		47			44	43			40			37	36	35			33		
						73					31	30	29	28				24			21	20					17	
						73				16	15	14				11	10				5	4	3	2	1			
SALEABLE	NOT APPLICABLE	34566-5173	9	B	ST GRY					68	67			64	63			59		57								
												46	45		43			39		37								
						73				32		30	29	28	27					21								
						73											10				6	5	4	3				
SALEABLE	NOT APPLICABLE	34566-5183	0	B	ST GRY					68	67			64				59	58					54				
												46	45	44				39	38									
						73				32		30	29	28	27					23	22						17	
						73									12		10		8									1
SALEABLE	NOT APPLICABLE	34566-5193	0	A	BLACK			70	69						63	62	61	60		58	57	56	55	54	53			
						52	51		49					44	43	42	41				37	36			34			
						73				32				29	28	27	26								19	18	17	
						73				16	15			13	12	11	10								3	2	1	
SALEABLE	NOT APPLICABLE	34566-5213	0	A	BLACK	72	71	70	69	68	67	66	65	64	63	62	61	60	59				55	54	53			
						52			49	48				44	43	42	41	40	39					35	34	33		
						73				32				29		27		25	24	23					19	18	17	
						73				16				13	12	11		9	8	7	6	5	4	3	2	1		
SALEABLE	NOT APPLICABLE	34566-5223	0	C	BLUE	72		70			67	66			63	62			59		57				53			
						52	51			48		46		44		42		40	39						34	33		
						73				32		30				27	26	25			22	21						
						73					15	14					10	9			6	5	4					

MX123 52/66/73/80-WAY RECEPTACLE ASSY SEALED PIN OUT SHEET

STATUS	GM PART #	HRNS CONN ASSY			TPA	GROMMET CAP																						
		MATERIAL/PART	WIRE DRESS OPTION	KEY OPTION Fp	COLOR OPTION Fp	NUMBERS INDICATE CAVITIES OPEN FOR CIRCUITS																						
		NUMBER				Fp																						
SALEABLE	NOT APPLICABLE	34566-5233	0	C	BLUE	72		70		68	67	66			63	62			59		57	56	55		53			
						52	51			48	47	46		44		42		40	39	38		22	21		19	18	34	33
						73				32		30				26	25			22	21			6	5	4	3	
SALEABLE	NOT APPLICABLE	34566-5243	0	C	BLUE	72	71	70	69	68	67	66	65		63	62	61		59	58	57	56	55	54	53			
							51	50	49	48		46	45	44	43	42	41	40	39	38		22	21	20	19	18	17	
						73				32	31	30	29	28	27	26	25			22	21	20	19	18	17			
SALEABLE	NOT APPLICABLE	34566-5253	0	B	ST GRAY						67	66			63			59	58	57	56	55		53				
								50	49	48		46	45		43			39	38	37	36	35	34	33				
						73							29	27				23	22	21			18					
SALEABLE	NOT APPLICABLE	34566-5263	0	B	ST GRAY						67	66			63			59	58	57	56	55		53				
								50	49	48		46	45		43			39	38	37	36	35	34	33				
						73							29	27				23	22	21			18					
SALEABLE	NOT APPLICABLE	34566-5273	0	A	BLACK			70	69						63	62	61	60		58	57	56	55	54	53			
						52	51		49				44	43	42	41				37	36		34					
						73				32			29	28	27	26			23				19	18				
SALEABLE	NOT APPLICABLE	34566-5283	0	C	BLUE			70		68	67	66			63	62			59		57	56	55	54	53			
						52	51			48	47	46		44		42		40	39							34	33	
						73				32		30				26	25			22	21			19	18			
SALEABLE	NOT APPLICABLE	34566-5293	0	A	BLACK			70	69						63	62	61	60		58	57	56	55	54	53			
						52	51		49				44	43	42	41	40			37	36		34					
						73				32			29	28	27	26			19	18	17							
SALEABLE	NOT APPLICABLE	34566-5313	0	C	BLUE			70		68	67	66			63	62			59		57	56	55		53			
						52	51			48	47	46		44		42		40	39	38	37	36		34	33			
						73				32		30			27	26	25	24		22	21			19	18			
SALEABLE	NOT APPLICABLE	34566-5323	0	G	BLUE	80		78	77		75	74	73	72		70	69		67		65	64	63	62				
						60		58	57		55	54		52	51	50	49		47		45							
						40		38	37				33	32	31				27	26	25	24						
SALEABLE	NOT APPLICABLE	34566-5333	0	A	BLACK			70	69						63	62	61	60		58	57	56	55	54	53			
						52	51		49				44	43	42	41	40			37	36		34					
						73				32			29	28	27	26			19	18	17							
SALEABLE	NOT APPLICABLE	34566-5343	0	B	ST GRAY					68	67			64			59	58						54				
											46	45					39	38										
						73				32		30	29	28	27			23	22									17
SALEABLE	NOT APPLICABLE	34566-5353	9	B	ST GRAY					68	67			64	63			59	58			55	54					
											46	45	44	43			39	38			35	34						
						73				32		30	29	28	27			23	22			19	18					17
SALEABLE	NOT APPLICABLE	34566-5363	0	C	BLUE			70		68		66			63	62			59		57			53				
						52	51			48	47	46		44		42		40	39	38						34	33	
						73				32		30				26	25			22	21							
SALEABLE	NOT APPLICABLE	34566-5373	0	C	BLUE			70		68		66			63	62			59		57			53				
						52	51			48	47	46		44		42		40	39							34	33	
						73				32		30				26	25			22	21							
SALEABLE	NOT APPLICABLE	34566-5383	0	C	BLUE			70		68		66			63	62			59		57			53				
						52	51			48	47	46		44		42		40	39			37	36			34	33	
						73				32		30				26	25	24		22	21							

MX123 52/66/73/80-WAY RECEPTACLE ASSY SEALED PIN OUT SHEET

STATUS	GM PART #	HRNS CONN ASSY			TPA	GROMMET CAP																						
		MATERIAL/PART	WIRE DRESS OPTION	KEY OPTION Fp		COLOR OPTION Fp	NUMBERS INDICATE CAVITIES OPEN FOR CIRCUITS																					
		NUMBER					Fp																					
SALEABLE	NOT APPLICABLE	34566-5393	0	A	BLACK	52	51	70	69													56	55	54	53			
									49					44	63	43	42	41							36			
						73				32				28		26			23			21			19	18		
SALEABLE	NOT APPLICABLE	34566-5413	0	A	BLACK	52	51	70	69													56	55	54	53			
									49					44	63	43	42	41						36				
						73				32				28		26			23			21			19	18		
SALEABLE	NOT APPLICABLE	34566-5423	0	A	BLACK	52	51	70	69													56	55	54	53			
									49					44	63	43	42	41						36				
						73				32				28		26			23			21			19	18		
SALEABLE	NOT APPLICABLE	34566-5433	9	B	ST GRY					68	67										59	58		54				
												46	45										39	38				
						73				32		30	29	28	27				23	22								17
SALEABLE	NOT APPLICABLE	34566-5443	9	B	ST GRY					68	67										59	58		54				
												46	45										39	38				
						73				32		30	29	28	27				23	22								17
SALEABLE	NOT APPLICABLE	34566-5453	0	B	ST GRY					68	67										59	58		54				
												46	45										39	38				
						73				32		30	29	28	27				23	22								17
SALEABLE	NOT APPLICABLE	34566-5463	0	A	BLACK	72		70																				
						52			49									41										
						73				16	15	14		12		10				6					20	19		
SALEABLE	NOT APPLICABLE	34566-5473	0	A	BLACK	72	71	70		68	67	66	65	64	63	62		60	59			56			53			
						52	51			48	47	46	45	44	43	42	41	40										
						73				16	15	14		12	11	10				6					20	19		17
SALEABLE	NOT APPLICABLE	34566-5483	0	B	ST GRY	72		70		68		66		64	63			60	59					55	54	53		
						52		50		48		46						40	39							35	34	33
						73				32	31	30	29	28	27	26	25	24							20			
SALEABLE	NOT APPLICABLE	34566-5493	0	A	BLACK	72		70	69																			
						52	51		49					44	63	43	42	41	40									
						73				32				28		26									19	18	17	
SALEABLE	NOT APPLICABLE	34566-5513	9	B	ST GRY					68	67										58			55				
												46	45			43							38			35		
						73				32		30	29	28	27				22						19			17
SALEABLE	NOT APPLICABLE	34566-5523	9	A	BLACK	72			69			67	66	65					60				57	56		53		
									49					44	43	42								37	36	35		33
						73				16	15	14	13		11	10								5	4	3	2	1
SALEABLE	NOT APPLICABLE	34566-5533	9	B	ST GRY					68	67										59	58		54				
												46	45										39	38				
						73				32		30	29	28	27				23	22								17
SALEABLE	NOT APPLICABLE	34566-5543	9	A	BLACK					68	67										59	58		54				
												46	45										39	38				
						73				32		30	29	28	27				23	22								17
SALEABLE	NOT APPLICABLE	34566-5553	9	B	ST GRY					68	67											59	58		54			
												46	45										39	38				
						73				32		30	29	28	27				23	22								17

MX123 52/66/73/80-WAY RECEPTACLE ASSY SEALED PIN OUT SHEET

STATUS	GM PART #	HRNS CONN ASSY			TPA	GROMMET CAP																						
		MATERIAL/PART	WIRE DRESS OPTION	KEY OPTION Fp	COLOR OPTION Fp	NUMBERS INDICATE CAVITIES OPEN FOR CIRCUITS																						
		NUMBER				Fp																						
SALEABLE	NOT APPLICABLE	34566-5563	0	A	BLACK	72	71	70	69					64	63			60	59	58	57	56	55	54	53			
						52	51		49	48	47		45	44	43	42	41							37	36		34	33
						73				32		30		28		26										19	18	17
SALEABLE	NOT APPLICABLE	34566-5573	0	C	BLUE	72		70		68		66			63	62			59	58	57	56	55		53			
						52	51		49	48	47	46		44		42		40	39	38	37	36			34	33		
						73				32		30				26	25	24	23	22	21	20	19	18	17			
SALEABLE	NOT APPLICABLE	34566-5583	0	B	ST GRAY	72		70		68		66		64	63			60	59					55	54	53		
						52		50		48		46				40	39								35	34	33	
						73				32	31	30	29	28	27	26	25	24	23			20						17
SALEABLE	NOT APPLICABLE	34566-5593	0	C	BLUE	72		70		68		66			63	62			59	58	57			55	54	53		
						52	51			48	47	46		44		42		40	39							34	33	
						73				32		30				26	25		23	22	21							
SALEABLE	NOT APPLICABLE	34566-5613	0	C	BLUE	72		70		68		66			63	62			59	58	57			55	54	53		
						52	51			48	47			44		42		40	39		37	36				34	33	
						73				32		30			27	26	25	24	23	22	21	20						17
SALEABLE	NOT APPLICABLE	34566-5623	0	C	BLUE	72		70		68		66			63	62			59	58	57			55	54	53		
						52	51			48	47			44		42		40	39		37	36				34	33	
						73				32		30			27	26	25	24	23	22	21	20						17
SALEABLE	NOT APPLICABLE	34566-5633	0	B	ST GRAY	72										62	61											
						52				48		46		44	43		41	40								20	19	18
						73				16	15	14														4		
SALEABLE	NOT APPLICABLE	34566-5643	0	B	ST GRAY	72										62	61											
						52				48		46			43		41	40								20	19	18
						73				16	15	14														4		
SALEABLE	NOT APPLICABLE	34566-5653	0	A	BLACK	72	71	70	69	68		66	65	64	63		61	60			57	56			54	53		
						52	51	50	49	48		46	45	44	43		41	40	39	38	37	36				34	33	
						73				32	31	30	29	28		26	25		23	22	21							17
SALEABLE	NOT APPLICABLE	34566-5663	0	C	BLUE				69		67	66	64		62		60			57			55	54				
						52	51	50		48		46	45	44		42						37			35	34	33	
						73				32	31			28	27	26										19	18	
SALEABLE	NOT APPLICABLE	34566-5673	0	C	BLUE				69		67	66	64		62		60			57			55	54				
						52	51	50	49	48		46	45	44		42		41				37			35	34	33	
						73				32	31			28	27	25											18	
SALEABLE	NOT APPLICABLE	34566-5683	0	B	ST GRAY	72										62	61											
						52				48		46		44	43		41	40								20	19	18
						73				16		14														4		
SALEABLE	NOT APPLICABLE	34566-5693	0	A	BLACK	72	71	70	69	68		66	65	64	63		61	60			57	56			54	53		
						52	51	50	49	48		46	45	44	43		41	40	39	38	37	36				34	33	
						73				32	31	30	29	28		26	25		23	22	21	20						17
SALEABLE	NOT APPLICABLE	34566-5713	0	C	BLUE				69		67	66	64		62		60			57			55	54				
						52	51	50		48		46	45	44		42						37			35	34	33	
						73				32	31			28	27	26										19	18	17
SALEABLE	NOT APPLICABLE	34566-5723	0	C	BLUE				69		67	66	64		62		60			57			55	54				
						52	51	50	49	48		46	45	44		42		41				37			35	34	33	
						73				32	31			28	27	25											18	

MX123 52/66/73/80-WAY RECEPTACLE ASSY SEALED PIN OUT SHEET

STATUS	GM PART #	HRNS CONN ASSY			TPA	GROMMET CAP																						
		MATERIAL/PART	WIRE DRESS OPTION	KEY OPTION Fp	COLOR OPTION Fp	NUMBERS INDICATE CAVITIES OPEN FOR CIRCUITS																						
		NUMBER				Fp																						
SALEABLE	NOT APPLICABLE	34566-5733	0	A	BLACK	52	71	70	69					64	63			60	59	58	57	56	55	54	53			
									49				45	44	43	42	41								36			
						73				32		30		28		26											19	18
SALEABLE	NOT APPLICABLE	34566-5743	0	A	BLACK	52	71	70	69					64	63			60	59		57	56	55	54	53			
									49				45	44	43	42	41								37	36		
						73				32		30		28		26											19	18
SALEABLE	NOT APPLICABLE	34566-5753	0	A	BLACK	52	71	70	69					64	63			60	59		57	56	55	54	53			
									49				45	44	43	42	41								37	36		
						73				32		30		28		26				23		21				19	18	
SALEABLE	NOT APPLICABLE	34566-5763	0	C	BLUE	72		70		68		66			63	62			59	58	57					53		
						52	51			48	47	46		44		42		40	39					37	36		34	33
						73				32		30			27	26	25	24		22	21	20						
SALEABLE	NOT APPLICABLE	34566-5773	0	C	BLUE	72		70		68		66			63	62			59	58	57					53		
						52	51			48	47			44		42		40	39					37	36		34	33
						73				32		30			27	26	25	24		22	21	20						
SALEABLE	NOT APPLICABLE	34566-5783	0	C	BLUE	72		70		68		66			63	62			59	58	57					53		
						52	51			48	47			44		42		40	39					37	36		34	33
						73				32		30			27	26	25	24		22	21	20						
SALEABLE	NOT APPLICABLE	34566-5793 SAME AS P/N 34566-4013	0	B	ST GRN	72		70		68		66					60	59						55	54	53		
						52		50		48		46					40	39							35	34	33	
						73				32	31	30	29	28	27	26	25	24										
SALEABLE	NOT APPLICABLE	34566-5813	0	B	ST GRN	72		70		68		66					60	59						55	54	53		
						52		50		48		46					40	39							35	34	33	
						73				32	31	30	29	28	27	26	25	24	23								19	18
SALEABLE	NOT APPLICABLE	34566-5823	0	A	BLACK	72		70							63													
						52			49						43		41											
						73					31	30		28	27	26			23							20	19	
SALEABLE	NOT APPLICABLE	34566-5833	0	A	BLACK	72		70							63													
						52			49						43		41											
						73					31	30		28	27	26			23							20	19	
SALEABLE	NOT APPLICABLE	34566-5843	0	H	ST GRN		79																					
							59		57			74	73	72	71			68	67			65	64	63	62	61		
								38				34	33				29		27		25							
SALEABLE	NOT APPLICABLE	34566-5853	0	H	ST GRN		79																					
							59		57			74	73	72	71			68	67			65	64	63	62	61		
								38				34	33				29		27		25							
SALEABLE	NOT APPLICABLE	34566-5863	0	C	BLUE	72		70				66			63	62			59		57	56	55		53			
						52	51					46		44		42		40	39			37	36		34	33		
						73				32		30				26	25			22	21					19	18	
SALEABLE	NOT APPLICABLE	34566-5873	0	B	ST GRN	72																						
						52				48	47	46		44	43		41	40								20	19	18
						73				16	15	14														4		
SALEABLE	NOT APPLICABLE	34566-5883	0	B	ST GRN	72										62	61											
						52				48	47	46			43		41	40								20	19	18
						73				16	15	14														4		

MX123 52/66/73/80-WAY RECEPTACLE ASSY SEALED PIN OUT SHEET

STATUS	GM PART #	HRNS CONN ASSY			TPA	GROMMET CAP																						
		MATERIAL/PART	WIRE DRESS OPTION	KEY OPTION Fp	COLOR OPTION Fp	NUMBERS INDICATE CAVITIES OPEN FOR CIRCUITS																						
		NUMBER				Fp																						
SALEABLE	NOT APPLICABLE	34566-5893	0	C	BLUE	52	51	50	69	48	67	66	45	44	62	60	57	55	54	33	34	35	18	19				
						73				32	28	27	26	9	37	19	18											
						16	15	14	13	12	11	10																
SALEABLE	NOT APPLICABLE	34566-5913	0	C	BLUE	52	51	50	49	68	67	66	64	61	60	57	54	33	34	35	18	19	20					
						73				32	28	27	25	9	37	18												
						16	15	14	13	12	11	10																
SALEABLE	NOT APPLICABLE	34566-5933	0	C	BLUE	72	71	70	69	68	67	66	64	63	62	59	57	56	55	53	34	33	35	18	19			
						73				32	47	46	44	42	40	39	23	22	21	4								
						15	14																					
SALEABLE	NOT APPLICABLE	34566-5943	0	C	BLUE	72	71	70	69	68	67	66	64	63	62	59	57	56	55	53	34	33	35	18	19			
						73				32	47	46	44	42	40	39	22	21	20	4								
						15	14	13	12	11	10																	
SALEABLE	NOT APPLICABLE	34566-5953	0	A	BLACK	52	51	50	49	68	67	66	65	64	63	62	61	60	58	57	56	55	54	53				
						73				32	30	29	28	27	26	24	19	18	3									
						16	15	14	13	12	11	10																
SALEABLE	NOT APPLICABLE	34566-5963	0	B	ST GRAY	72	71	70	69	68	67	66	65	64	63	62	61	60	59	58	57	56	55	54	53			
						73				32	31	30	29	28	27	26	25	24	3									
						16	15	14	13	12	11	10																
SALEABLE	NOT APPLICABLE	34566-5973	0	C	BLUE	72	71	70	69	68	67	66	64	63	62	59	57	56	55	53	34	33	35	18	19			
						73				32	47	46	44	42	40	39	22	21	20	4								
						15	14																					
SALEABLE	NOT APPLICABLE	34566-5983	0	C	BLUE	52	51	50	69	48	67	66	64	62	60	57	55	54	33	34	35	18	19	20				
						73				32	28	27	26	9	37	19	18											
						16	15	14	13	12	11	10																
SALEABLE	NOT APPLICABLE	34566-5993	0	A	BLACK	52	51	50	49	68	67	66	65	64	63	62	61	60	58	57	56	55	54	53				
						73				32	31	30	29	28	27	26	25	24	23	6	5	3	1					
						16	15	14	13	12	11	10																
SALEABLE	NOT APPLICABLE	34566-6013	0	B	ST GRAY	52	51	50	49	68	67	66	65	64	63	62	61	60	59	58	57	56	55	54	53			
						73				32	31	30	29	28	27	26	24	23	22	21	20	18						
						16	15	14	13	12	11	10																
SALEABLE	NOT APPLICABLE	34566-6023	0	A	BLACK	72	71	70	69	68	67	66	65	64	63	62	61	60	59	58	57	56	55	54	53			
						73				32	31	30	29	28	27	26	24	23	22	21	20	19	17					
						16	15		13	12	11	10																
SALEABLE	NOT APPLICABLE	34566-6033	0	A	BLACK	52	51	50	49	68	67	66	65	64	63	62	61	60	58	57	56	55	54	53				
						73				32	29	28	27	26	10	8	5	3										
						16	15		13	12	11	10																
SALEABLE	NOT APPLICABLE	34566-6043	0	B	ST GRAY	68	67	66	65	64	63	62	61	60	59	58	57	56	55	54	53	34	35	18	19			
						73				32	30	29	28	27	10	22	19	17										
						16																						
SALEABLE	NOT APPLICABLE	34566-6053	0	B	ST GRAY	72	71	70	69	68	67	66	65	64	63	62	61	60	59	58	57	56	55	54	53			
						73				32	46	45	44	43	42	41	40	20	19	18								
						16	15	14																				
SALEABLE	NOT APPLICABLE	34566-6063	0	C	BLUE	52	51	50	69	48	67	66	64	62	60	57	55	54	33	34	35	18	19	20				
						73				32	28	27	26	9	37	19	18	17										
						16	15	14	13	12	11	10																

MX123 52/66/73/80-WAY RECEPTACLE ASSY SEALED PIN OUT SHEET

STATUS	GM PART #	HRNS CONN ASSY			TPA	GROMMET CAP																																						
		MATERIAL/PART	WIRE DRESS OPTION	KEY OPTION Fp	COLOR OPTION Fp	NUMBERS INDICATE CAVITIES OPEN FOR CIRCUITS																																						
		NUMBER				Fp																																						
SALEABLE	NOT APPLICABLE	34566-6073	0	C	BLUE	52	51	50	69	48	67	66	45	64	61	60	57	54	34	33	73																							
						32	28	27	25	18	17																																	
						16	15	14	13	12	11	10	9																															
SALEABLE	NOT APPLICABLE	34566-6083	0	C	BLUE	72		70		68	67	66			63	62		59	57		53	73																						
						52	51			48	47	46		44		42		40	39		37	36		34	33																			
						32	30					26	25		22	21																												
SALEABLE	NOT APPLICABLE	34566-6093	0	B	ST GRAY	72		70			67				63	62	61	60	59										73															
						52						46			43		41	40																										
																27											20	19	18															
SALEABLE	NOT APPLICABLE	34566-6113	0	A	BLACK	72	71	70	69	68		66	65	64	63	62	61	60		58	57	56	55	54	53	73																		
						52	51	50	49	48		46	45	44	43	42	41	40	39	38	37	36		34	33																			
						32	31	30	29	28	27	26	25		23	22	21	20	19	18																								
SALEABLE	NOT APPLICABLE	34566-6123	0	C	BLUE				69		67	66		64		62		60		57		54							73															
						52	51	50		48		46	45	44		42						37		34	33																			
														28	27	26																												
SALEABLE	NOT APPLICABLE	34566-6133	9	C	BLUE	72		70		68	67				63	62		59	57									73																
						52	51			48	47			44		42		40	39	38	37	36		34	33																			
						32		30						26	25	24		22	21																									
SALEABLE	NOT APPLICABLE	34566-6173	9	B	ST GRAY					67	66																	73																
										48	47					41										19	18	17																
						32	31	30	29		27	26	25	24		22	21																											
SALEABLE	NOT APPLICABLE	34566-6183	9	A	BLACK						66																	73																
										48	47					41										19	18	17																
						32	31	30	29		27	26	25	24		22	21																											
SALEABLE	NOT APPLICABLE	34566-6193	9	B	ST GRAY	72	71	70	69	68	67	66	65	64		62	61	60	59	58	57	56	55	54					73															
						52	51	50	49			46		44			41	40		38	37	36		34	33																			
						32	31	30	29	28	27	26	25	24		22	21	20		18	17																							
SALEABLE	NOT APPLICABLE	34566-6213	9	A	BLACK						67	66																73																
										48	47					41										19	18	17																
						32	31	30	29		27	26	25	24		22	21																											
SALEABLE	NOT APPLICABLE	34566-6223	9	C	BLUE	72		70		68		66						60	59									73																
						52	51			48	47	46		44				40	39																									
						32		30						27	26	25			22	21	20																							
SALEABLE	NOT APPLICABLE	34566-6233	9	B	ST GRAY	72		70		68		66					60	59											73															
						52		50		48		46					40	39								35	34	33																
						32	31	30	29	28	27	26	25	24		22	21	20																										
SALEABLE	NOT APPLICABLE	34566-6243	9	A	BLACK		71	70	69					64	63		60	59	58	57	56	55	54	53	73																			
						52	51	50	49				45	44	43	42	41		39		37	36		34																				
						32		30				28		26												19	18																	
SALEABLE	NOT APPLICABLE	34566-6253	9	C	BLUE	72		70		68	67	66				63	62		59	57								73																
						52	51		49	48	47	46		44				40	39																									
						32		30						27	26	25	24		22	21	20																							
SALEABLE	NOT APPLICABLE	34566-6263	9	B	ST GRAY	72	71	70		68	67	66				62	61	60	59	58	57	56	55	54	53	73																		
						52	51	50		48	47	46				42	41	40	39	38	37	36	35	34	33																			
						32	31	30	29	28	27	26	25	24																														



MX123 52/66/73/80-WAY RECEPTACLE ASSY SEALED PIN OUT SHEET

STATUS	GM PART #	HRNS CONN ASSY			TPA	GROMMET CAP																	
		MATERIAL/PART	WIRE DRESS OPTION	KEY OPTION Fp	COLOR OPTION Fp	NUMBERS INDICATE CAVITIES OPEN FOR CIRCUITS																	
		NUMBER				Fp																	
SALEABLE	NOT APPLICABLE	34566-6273	9	B	ST GRAY	71	70	69	65	64	63	62	61	60	58	57	56	55	54	53			
						52	51	49	48	47	45	44	43	42	41	39	37	36	19	18			
						73			32	30	29	28	27	26	24	3							
SALEABLE	NOT APPLICABLE	34566-6283	9	C	BLUE	72	71	70	68	67	66	63	62	59	57	53							
						52	51	48	47	46	44	40	39	34	33								
						73			32	30	27	26	25	22	21	3							
SALEABLE	NOT APPLICABLE	34566-6293	9	B	ST GRAY	72	71	70	68	67	66	62	61	60	59	58	57	56	55	54	53		
						52	51	50	48	47	46	42	41	40	39	38	37	36	35	34	33		
						73			32	31	30	29	28	27	26	25	24	2	1				
SALEABLE	NOT APPLICABLE	34566-6313	9	B	ST GRAY	71	70	69	63	62	61	60	58	57	56	55	54	53					
						52	51	50	49	44	43	42	41	39	37	36	19	18					
						73			32	29	28	27	26	10	8	3							
SALEABLE	NOT APPLICABLE	34566-6323	9	B	ST GRAY	71	70	69	64	63	60	59	58	57	56	55	54	53					
						52	51	50	49	45	44	43	42	41	39	37	36	19	18				
						73			32	30	28	26	19	18									
SALEABLE	NOT APPLICABLE	34566-6333	9	C	BLUE	72	71	70	68	67	66	63	62	59	57	56	55	54	53				
						52	51	48	47	46	44	40	39	34	33								
						73			32	30	27	26	25	22	21	19	18						
SALEABLE	NOT APPLICABLE	34566-6343	9	A	BLACK	71	70	69	63	62	61	60	58	57	56	55	54	53					
						52	51	50	49	44	43	42	41	40	39	37	36	19	18				
						73			32	29	28	27	26	19	18								
SALEABLE	NOT APPLICABLE	34566-6353	9	C	BLUE	72	71	70	68	67	66	63	62	59	58	57	56	55	54	53			
						52	51	48	47	46	44	40	39	34	33								
						73			32	30	27	26	25	23	22	21	20	17					
SALEABLE	NOT APPLICABLE	34566-6363	9	B	ST GRAY	72	71	70	68	67	66	60	59	55	54	53							
						52	51	50	48	47	46	40	39	35	34	33							
						73			32	31	30	29	28	27	26	25	24	23	19	18			
SALEABLE	NOT APPLICABLE	34566-6373	9	A	BLACK	72	71	70	69	67	66	65	64	63	60	59	58	57	56	55	54	53	
						52	51	50	49	47	45	44	43	42	41	40	39	37	36	19	18		
						73			32	30	28	26	23	21	19	18							
SALEABLE	NOT APPLICABLE	34566-6383	9	A	BLACK	72	71	70	69	68	66	65	64	63	61	60	57	56	54	53			
						52	51	50	49	48	46	45	44	43	42	41	40	39	38	37	36	34	33
						73			32	31	30	29	28	23	22	21	2	1					
SALEABLE	NOT APPLICABLE	34566-6393	9	C	BLUE	71	70	69	67	66	65	64	62	61	60	58	57	55	54				
						52	51	50	49	48	47	46	45	44	42	41	38	37	35	34	33		
						73			32	28	27	26	25	19	18								
SALEABLE	NOT APPLICABLE	34566-6413	9	B	ST GRAY	72	71	70	68	67	66	63	62	61	60	59	55						
						52	51	48	47	46	44	43	41	40	38	37	36	35					
						73			32	30	27	26	25	20	19	18							
SALEABLE	NOT APPLICABLE	34566-6423	9	C	BLUE	72	71	70	69	67	66	65	64	60	59	58	57	56	55	54			
						52	51	50	49	48	47	46	45	44	39	38	36	35					
						73			32	30	29	28	26	25	23	22	21	17					
SALEABLE	NOT APPLICABLE	34566-6433	9	A	BLACK	72	71	70	67	66	65	64	63	60	59	58	57	56	55	54			
						52	51	48	47	46	43	42	40	39	38	37	36	35					
						73			32	28	27	26	25	22	21	18							

MX123 52/66/73/80-WAY RECEPTACLE ASSY SEALED PIN OUT SHEET

STATUS	GM PART #	HRNS CONN ASSY			TPA	GROMMET CAP																				
		MATERIAL/PART	WIRE DRESS OPTION	KEY OPTION Fp	COLOR OPTION Fp	NUMBERS INDICATE CAVITIES OPEN FOR CIRCUITS																				
		NUMBER				Fp																				
SALEABLE	NOT APPLICABLE	34566-6443	9	B	ST GRAY	72	71	70	69	68	67	66	65	64	63		61	60			57	56	55			
						52	51	50	49	48	47	46	45	44	43		26	25	24	23	22	21	20	19	18	17
						73				32	31	30	29	28		11		9	8	7	6	5	4	3	2	1
SALEABLE	NOT APPLICABLE	34566-6453	0	C	BLUE		71	70	69		67		65	64		62	61	60			57			54		
						52	51	50	49	48	47	46	45	44		42	41				37				34	33
						73				32				28	27	26	25									18
SALEABLE	NOT APPLICABLE	34566-6463	0	B	ST GRAY	72				68	67					62	61							55		
						52				48	47	46			43											
						73						30											20	19	18	
SALEABLE	NOT APPLICABLE	34566-6473	9	C	BLUE			70	69		67	66		64		62		60			57		55	54		
						52	51	50		48		46	45	44		42					37			35	34	33
						73				32				28	27	26									19	18
SALEABLE	NOT APPLICABLE	34566-6483	9	A	BLACK	72	71	70	69	68		66	65	64	63		61	60			57	56		54	53	
						52	51	50	49	48		46	45	44	43			40	39	38	37	36		34	33	
						73				32	31	30	29	28		26	25		23	22	21	20				2
SALEABLE	NOT APPLICABLE	34566-6493	9	B	ST GRAY	72			70							62	61							55		
						52				48	47	46			43			41	40							
						73						30											20	19	18	
SALEABLE	NOT APPLICABLE	34566-6513	0	B	ST GRAY					68	67					62	61						55	54		
						52						46			43			40								
						73				16	15	14							8				4	3	2	
SALEABLE	NOT APPLICABLE	34566-6523	0	B	ST GRAY					68	67			64					59	58				54		
						73				32		30	29	28	27				23	22						17
											15		13		11	10				6						
SALEABLE	NOT APPLICABLE	34566-6533	9	B	ST GRAY					68	67			64												
						73				32		30	29	28	27											17
																10			7							
SALEABLE	NOT APPLICABLE	34566-6543	9	A	BLACK	72	71	70	69	68		66	65	64	63		61	60			57	56		54	53	
						52	51	50	49	48		46	45	44	43			40	39	38	37	36		34	33	
						73				32	31	30	29	28		26	25		23	22	21	20				2
SALEABLE	NOT APPLICABLE	34566-6553	9	A	BLACK	72	71	70	69		67		64	63			60	59	58	57	56	55	54	53		
						52	51	50	49		47		45	44	43	42	41	40	39		37	36		34		
						73				32		30		28		26							19	18	17	
SALEABLE	NOT APPLICABLE	34566-6563	9	C	BLUE			70		68		66			63	62			59	58	57			53		
						52	51			48	47	46		44				40	39						34	33
						73				32		30			27	26	25		23	22	21	20				17
SALEABLE	NOT APPLICABLE	34566-6573	9	A	BLACK					68	67			64	63			60	59	58	57	56	55	54	53	
						52	51	50	49		47		45	44	43	42	41	40	39		37	36		34		
						73				32		30		28		26			23		21		19	18		
SALEABLE	NOT APPLICABLE	34566-6583	9	A	BLACK			70	69						63	62	61	60		58	57	56	55	54	53	
						52	51	50	49					44	43	42	41	40	39		37	36		34		
						73				32			29	28	27	26									19	18
SALEABLE	NOT APPLICABLE	34566-6593	0	C	BLUE				69		67			64		62		60			57		55	54		
						52	51	50		48		46	45	44		42					37			35	34	33
						73				32				28	27	26							20	19	18	17

MX123 52/66/73/80-WAY RECEPTACLE ASSY SEALED PIN OUT SHEET

STATUS	GM PART #	HRNS CONN ASSY			TPA	GROMMET CAP																					
		MATERIAL/PART	WIRE DRESS OPTION	KEY OPTION Fp	COLOR OPTION Fp	NUMBERS INDICATE CAVITIES OPEN FOR CIRCUITS																					
		NUMBER				Fp																					
SALEABLE	NOT APPLICABLE	34566-6613	0	A	BLACK	72	71	70	69			66		64	63		61	60			57	56		54	53		
						52	51	50	49			46	45	44	43		26	25		23	22	21				34	33
						73				32	31	30	29	28			9		7	6	5						2
SALEABLE	NOT APPLICABLE	34566-6623	9	B	ST GRAY					68	67		64					59	58				54				
											46	45					39	38									
						73				32		30	29	28	27			23	22								
SALEABLE	NOT APPLICABLE	34566-6633	9	C	BLUE				69		67	66		64		62		60			57			54			
						52	51	50		48		46	45	44		42					37					34	33
						73								28	27	26											
SALEABLE	NOT APPLICABLE	34566-6643	9	C	BLUE		71			68	67		65	64	63		61	60		58	57			54			
						52	51	50		48			45		43		41			38	37					34	33
						73								28	27		25										
SALEABLE	NOT APPLICABLE	34566-6653	9	B	ST GRAY	72				68						62	61	60	59					55			
						52				48	47	46		44	43		41	40		38	37	36	35				
						73						30										20	19	18			
SALEABLE	NOT APPLICABLE	34566-6663	9	A	BLACK					68		66	65	64	63		60			57	56			54			
						52	51	50	49	48		46	45	44	43	42		40	39	38	37	36				34	
						73				32	31	30	29	28		26	25		23	22	21	20					
SALEABLE	NOT APPLICABLE	34566-6673	9	B	ST GRAY	72	71	70	69	68	67	66	65	64	63		61	60	59		57	56	55				
						52	51	50	49	48	47	46	45	44	43		41	40	39	38	37	36	35	34	33		
						73				32	31	30	29	28		26		24	23	22	21	20	19	18	17		
SALEABLE	NOT APPLICABLE	34566-6683	9	A	BLACK			70		67					63		60	59	58	57							
						52				48	47	46			43	42		40	39	38	37						
						73				32	31	30	29	28	27					22	21						2
SALEABLE	NOT APPLICABLE	34566-6693	9	C	BLUE	72	71	70	69		67	66	65	64						56				54			
						52	51	50	49		47	46	45	44					39	38						34	
						73						31	30	29	28		26	25	24	23	22	21					
SALEABLE	TBD	34822-0063	9	A	BLACK		63	62	61	60	59					54	53		51		49		66				
							47									38	37		35		33						
						65								28			25			22	21	20	19	18	17		
SALEABLE	NOT APPLICABLE	34566-6713	9	A	BLACK	72	71	70	69	68		66	65	64	63		61	60		57	56			54	53		
						52	51	50	49	48		46	45	44	43	42	41	40	39	38	37	36				34	33
						73				32	31	30	29	28		26	25		23	22	21						2
SALEABLE	NOT APPLICABLE	34566-6723	0	H	ST GRAY		79					74	73					67		65	64	63	62	61			
							59						53	52							25		44	43	42	41	
								38					33							27							
SALEABLE	NOT APPLICABLE	34566-6733	0	G	BLUE			78	77		75	74		72		70				64	63						
						60		58	57		55	54		52	51	50	49		47		45						
						40	39	38	37				33	32	31				27	26							
SALEABLE	NOT APPLICABLE	34566-6743	9	C	BLUE					68	67		65	64	63		61	60		57				54	53		
						52	51	50		48		46	45		43		41			37						34	33
						73				16	15	14	13	12	11	10	9	8	7								
SALEABLE	NOT APPLICABLE	34566-6753	9	A	BLACK	72	71	70	69	68		66	65	64		61	60		57	56			54	53			
						52	51	50	49	48		46	45	44	43	42		40	39	38	37	36				34	33
						73						31	30	29	28					23	22	21	20				



MX123 52/66/73/80-WAY RECEPTACLE ASSY SEALED PIN OUT SHEET

STATUS	GM PART #	HRNS CONN ASSY			TPA	GROMMET CAP																					
		MATERIAL/PART	WIRE DRESS OPTION	KEY OPTION  Fp		COLOR OPTION  Fp	NUMBERS INDICATE CAVITIES OPEN FOR CIRCUITS																				
		NUMBER					Fp																				
SALEABLE	NOT APPLICABLE	34566-6763	9	B	ST GRN	72				68						62	61					55					
						52		50	49			46	45		43			40				22	21	20	19	18	
						73				16		14					8		6	5	4						
SALEABLE	NOT APPLICABLE	34566-6773	0	C	BLUE	72		70		68		66			63	62			59	58	57			53			
						52	51		49	48	47	46		44		42		40	39						34	33	
						73				32		30				26	25		22	21			19	18	17		
SALEABLE	NOT APPLICABLE	34566-6783	0	B	ST GRN	72		70		68		66						60	59				55	54	53		
						52		50		48		46			43			40	39						35	34	33
						73				32	31	30	29	28	27	26	25	24	23								2
SALEABLE	NOT APPLICABLE	34566-6793	0	B	ST GRN	72		70		68		66		64	63			60	59				55	54	53		
						52		50		48		46			43			40	39						35	34	33
						73				32	31	30	29	28	27	26	25	24	23					20			2
SALEABLE	NOT APPLICABLE	34566-6813	9	A	BLACK		71	70	69	68	67		65	64	63	62	61	60		58	57	56	55	54	53		
						52	51	50	49	48	47		45	44	43	42	41	40	39			37	36			34	
						73				32		30	29	28	27	26	25	24				21					18
SALEABLE	NOT APPLICABLE	34566-6823	9	C	BLUE	72		70		68	67	66			63	62			59		57			53			
						52	51		49	48	47	46		44			41	40	39			37	36	35	34	33	
						73				32		30			27	26	25	24			22	21	20				
SALEABLE	NOT APPLICABLE	34566-6833	0	A	BLACK		71	70	69						63			60	59	58	57	56	55	54	53		
						52	51		49	48	47			44	43	42	41	40				37	36			34	33
						73				32					28		26								19	18	
SALEABLE	NOT APPLICABLE	34566-6843	0	A	BLACK	72	71	70	69	68		66	65	64	63					57	56			54	53		
						52	51	50	49	48		46	45	44	43			40	39	38	37	36			34	33	
						73				32	31	30	29	28		26	25		23	22	21	20					17
SALEABLE	NOT APPLICABLE	34566-6853	0	C	BLUE				69		67	66		64			62	61	60			57	56	55	54	53	
						52	51	50	49	48		46	45	44			42	41			37				35	34	33
						73				32				28	27	26	25							19	18	17	
SALEABLE	NOT APPLICABLE	34566-6863	0	A	BLACK	72	71	70	69	68		66	65	64	63					57	56			54	53		
						52	51	50	49	48		46	45	44	43	42		40	39	38	37	36			34	33	
						73				32	31	30	29	28		26	25		23	22	21	20					2
SALEABLE	NOT APPLICABLE	34566-6873	9	B	ST GRN	72				68	67					62	61	60	59				55	54	53		
						52				48	47	46		44	43		41	40			38	37	36	35			
						73						30			27									20	19	18	17
SALEABLE	NOT APPLICABLE	34566-6883	9	A	BLACK	72		70			67						60	59	58	57	56	55					
						52	51			48	47	46			43	42		40	39	38	37	36	35				
						73								28	27					22	21					18	17
SALEABLE	NOT APPLICABLE	34566-6893	0	B	ST GRN	72	71	70	69	68	67	66	65	64	63	62	61	60	59		57	56	55				
						52	51	50	49	48	47	46	45	44	43			41	40	39	38	37	36	35	34	33	
						73				32	31	30	29	28		26		24	23	22	21	20	19	18	17		
SALEABLE	NOT APPLICABLE	34566-6913	9	A	BLACK				69	68	67	66	65	64	63			60	59	58	57	56	55	54			
						52	51	50	49	48	47	46	45	44	43	42		40	39	38	37	36	35	34			
						73				32	31	30	29	28	27	26	25		23	22	21	20				18	17
SALEABLE	NOT APPLICABLE	34566-6923	9	C	BLUE	72	71	70	69		67	66	65	64			61	60		58	57	56			54		
						52	51	50	49	48	47	46	45	44			41		39	38	37				34	33	
						73				32	31	30	29	28	27	26	25	24	23	22	21					18	17

MX123 52/66/73/80-WAY RECEPTACLE ASSY SEALED PIN OUT SHEET

STATUS	GM PART #	HRNS CONN ASSY			TPA	GROMMET CAP																							
		MATERIAL/PART	WIRE DRESS OPTION	KEY OPTION Fp	COLOR OPTION Fp	NUMBERS INDICATE CAVITIES OPEN FOR CIRCUITS																							
		NUMBER				Fp																							
SALEABLE	NOT APPLICABLE	34566-6933	9	B	ST GRAY	72				68	67				63	62	61	60	59				55		53				
						52				48	47	46		44	43		41	40				38	37	36	35				
						73						30			27							22	21	20	19	18	17		
SALEABLE	NOT APPLICABLE	34566-6943	9	A	BLACK	72	71	70	69	68		66	65	64	63		61	60				57	56		54	53			
						52	51	50	49	48		46	45	44	43	42	41	40	39	38	37	36				34	33		
						73				32	31	30	29	28							23	22	21						
SALEABLE	NOT APPLICABLE	34566-6953	0	A	BLACK	72	71	70	69			66	65	64	63		61	60				57	56		54	53			
						52	51	50	49			46	45	44	43			40	39	38	37	36				34	33		
						73				32	31	30	29	28			26	25		23	22	21	20					2	1
SALEABLE	NOT APPLICABLE	34566-6963	0	B	ST GRAY	72		70		68	67					62	61						55						
						52				48	47	46			43			40								20	19	18	
						73						30															4		2
SALEABLE	NOT APPLICABLE	34566-6973	0	C	BLUE		71	70	69			67		65	64		62	61	60				57		55	54			
						52	51	50	49	48	47	46	45	44		42	41								37		35	34	33
						73				32				28	27	26	25											19	18
SALEABLE	NOT APPLICABLE	34566-6983	0	C	BLUE		71		69			67		65	64		62	61	60				57		55	54			
						52	51	50		48	47	46	45	44		42									37		35	34	33
						73								28	27	26													18
SALEABLE	NOT APPLICABLE	34566-6993	0	G	BLUE			78	77	76										67	66	65							
						40	39	38	37	36	35	34	33	32				29	28						25			21	
						20	19	18	17	16	15	14	13	12														3	
SALEABLE	NOT APPLICABLE	34566-7013	9	A	BLACK		71	70	69					64	63	62	61	60	59	58	57	56	55	54	53				
						52	51	50	49				45	44	43	42	41		39							37	36		34
						73				32			29	28	27	26												19	18
SALEABLE	NOT APPLICABLE	34566-7023	0	A	BLACK	72	71	70	69	68		66	65	64			61	60				57	56		54	53			
						52	51	50	49	48		46	45	44	43			40	39	38	37	36				34	33		
						73						31	30	29	28			26	25		23	22	21	20					
SALEABLE	NOT APPLICABLE	34566-7033	0	A	BLACK			70	69					65		63	62	61	60			58	57	56	55	54	53		
						52	51		49					44	43	42	41							37	36		34		
						73				32			29	28	27	26								21			19	18	
SALEABLE	NOT APPLICABLE	34566-7043	0	B	ST GRAY					68	67				63	62	61	60	59				55						
						52						46			43		41	40											
						73						16		14			11			8						20	19	18	
SALEABLE	NOT APPLICABLE	34566-7053	0	C	BLUE		71		69			67		65	64		62	61	60				57		54				
						52	51	50	49	48	47	46	45	44		42	41								37		34	33	
						73				16	15	14	13	12	11	10	9	8	7										
SALEABLE	NOT APPLICABLE	34566-7063	0	C	BLUE	72		70		68	67	66			63	62			59			57			53				
						52	51			48	47	46		44				40	39							34	33		
						73				32		30				26	25					22	21						
SALEABLE	NOT APPLICABLE	34566-7073	9	F	NATURAL				69	68											58	57							
															43	42											33		
						73							30														19	18	17
SALEABLE	NOT APPLICABLE	34566-7083	9	B	ST GRAY																								
						73				16	15	14	13	12	11	10			8	7							3	2	1

MX123 52/66/73/80-WAY RECEPTACLE ASSY SEALED PIN OUT SHEET

STATUS	GM PART #	HRNS CONN ASSY			TPA	GROMMET CAP																							
		MATERIAL/PART	WIRE DRESS OPTION	KEY OPTION Fp		COLOR OPTION Fp	NUMBERS INDICATE CAVITIES OPEN FOR CIRCUITS																						
		NUMBER					Fp																						
SALEABLE	NOT APPLICABLE	34566-7093	9	B	ST GRAY	72	71	70	69	68	67	66	65	64	63				59						53				
						52	51	50	49	48	47	46	45	44	43				39							34	33		
						73				32	31	30	29	28	27	26	25	24	23								3	2	1
SALEABLE	NOT APPLICABLE	34566-7113	9	G	BLUE	80	79	78		76					71			67											
						60	59	58	57			54			51	50	49	48	47					44			41		
						40	39		37					33	32		30	29	28	27			25	24					
SALEABLE	NOT APPLICABLE	34566-7123	9	G	BLUE	20	19	18						12	11					5				3	2				
						80	79	78							71				67										
						60	59	58	57			54			51	50	49	48	47					44				41	
SALEABLE	NOT APPLICABLE	34566-7123	9	G	BLUE	40	39						33	32		30	29	28	27			25	24						
						20	19	18						12	11		9	8				5				3	2		
																							58				54	53	
SALEABLE	NOT APPLICABLE	34566-7133	9	B	ST GRAY																								
						73													27		25								
SALEABLE	NOT APPLICABLE	34566-7143	0	A	BLACK			70	69						63			60	59	58	57	56	55	54	53				
						52	51		49	48	47			44	43	42	41							37	36		34	33	
						73				32					28												19	18	
SALEABLE	NOT APPLICABLE	34566-7153	0	C	BLUE																								
						72		70		68	67				63	62			59	58	57						53		
						52	51		49	48	47	46		44			42		40	39		37	36				34	33	
SALEABLE	NOT APPLICABLE	34566-7163	0	A	BLACK	73				32																			
						72		70	69	68	67								61	60					56	55	54	53	
SALEABLE	NOT APPLICABLE	34566-7173	0	B	ST GRAY	52		50	49	48	47		45	44	43		41	40					35	34	33				
						73																			20	19	18	17	
										16	15																		
SALEABLE	NOT APPLICABLE	34566-7183	0	B	ST GRAY					68	67	66	65	64	63														
												46	45		43												34		
						73				32		30	29	28	27													17	
SALEABLE	NOT APPLICABLE	34566-7193	0	A	BLACK																								
						72		70	69																				
SALEABLE	NOT APPLICABLE	34566-7213	0	A	BLACK	52	51		49				44	43	42	41			39										
						73				32					28												19	18	17
										16																			
SALEABLE	NOT APPLICABLE	34566-7223	0	C	BLUE																								
						72		70		68		66			63	62			59		57						53		
						52	51			48	47	46		44			42		40	39		37	36				34	33	
SALEABLE	NOT APPLICABLE	34566-7233	9	A	BLACK	73				32		30	29				25												
										16	15		13		11	10	9												
SALEABLE	NOT APPLICABLE	34566-7243	9	A	BLACK																								
						72				48		46	45		43			62	61		58	57	56	55	54				
						52	51			32		30	29					25		40		37		35	34				
SALEABLE	TBD	34822-0073	0	A	BLACK	73				16	15		13		11	10	9												
							63	62	61	60	59								54	53		51		49					66
SALEABLE	TBD	34822-0073	0	A	BLACK		47																						
						65																							

MX123 52/66/73/80-WAY RECEPTACLE ASSY SEALED PIN OUT SHEET

STATUS	GM PART #	HRNS CONN ASSY			TPA	GROMMET CAP																						
		MATERIAL/PART	WIRE DRESS OPTION	KEY OPTION Fp	COLOR OPTION Fp	NUMBERS INDICATE CAVITIES OPEN FOR CIRCUITS																						
		NUMBER				Fp																						
SALEABLE	TBD	34822-0083	9	A	BLACK	63	62	61	60	59						54	53		51		49	66						
						47									39	38	37		35									
						65									28				25			22	21	20	19	18	17	
SALEABLE	NOT APPLICABLE	34566-7253	0	B	ST GRY	72									62	61												
						52				48	47	46		44	43		41	40										
						73																	20	19	18			
SALEABLE	NOT APPLICABLE	34566-7263	0	C	BLUE				69		67	66		64		62		60			57			54				
						52	51	50		48		46	45	44		42						37			34	33		
						73									28	27	26									18		
SALEABLE	NOT APPLICABLE	34566-7273	0	C	BLUE				69		67	66		64		62		60			57			54				
						52	51	50		48		46	45	44		42						37			35	34	33	
						73									28	27	26									19	18	17
SALEABLE	NOT APPLICABLE	34566-7283	0	C	BLUE				69		67	66		64		62		60			57			54				
						52	51	50		48		46	45	44		42						37			35	34	33	
						73									28	27	26									19	18	17
SALEABLE	NOT APPLICABLE	34566-7293	9	A	BLACK				69		67	66		64		62		60			57			54				
						52	51	50	49	48		46	45	44		42						37			34	33		
						73									28	27	26	25	24	23						3	2	1
SALEABLE	NOT APPLICABLE	34566-7313	0	B	ST GRY	72					67				62	61								55				
						52				48	47	46			43			40										
						73																22	21	20	19	18		
SALEABLE	NOT APPLICABLE	34566-7333	9	B	ST GRY	72	71	70	69	68	67	66	65	64	63	62	61	60	59		57	56	55			53		
						52	51	50	49	48	47	46	45	44	43			41	40	39	38	37	36	35	34	33		
						73												26		24	23	22	21	20	19	18	17	
SALEABLE	NOT APPLICABLE	34566-7343	9	B	ST GRY					68	67			64	63			59	58			55	54					
												46	45	44	43					39	38			35				
						73									32	30	29	28	27			23	22			19		17
SALEABLE	NOT APPLICABLE	34566-7353	9	C	BLUE				69		67	66		64		62		60			57			54				
						52	51	50		48	47	46	45	44		42						37			35	34	33	
						73									32			28	27	26						19	18	17
SALEABLE	NOT APPLICABLE	34566-7363	0	B	ST GRY			70								62	61	60	59					55				
						52						46		44	43			41	40									
						73																			20	19	18	17
SALEABLE	NOT APPLICABLE	34566-7373	0	A	BLACK	72	71	70	69	68		66	65	64		61	60			57	56		54	53				
						52	51	50	49	48		46	45	44	43	42		40	39	38	37	36		34	33			
						73									31	30	29	28		26	25		23	22	21	20		
SALEABLE	NOT APPLICABLE	34566-7383	0	C	BLUE		71	70			67	66	65	64		61	60			57			54					
						52	51	50	49	48	47		45	44			41				37			34	33			
						73									32			28	27		25						17	
SALEABLE	NOT APPLICABLE	34566-7393	0	B	ST GRY	72										62	61							55				
						52				48	47	46		44	43			40										
						73																			20	19	18	
SALEABLE	NOT APPLICABLE	34566-7413	0	A	BLACK	72	71	70	69	68		66	65	64	63		61	60			57	56		54	53			
							51	50	49	48		46	45	44	43	42		40	39	38	37	36		34	33			
						73									32	31	30	29	28		26	25		23	22	21	20	

**MX123 52/66/73/80-WAY RECEPTACLE ASSY SEALED PIN OUT SHEET**

STATUS	GM PART #	HRNS CONN ASSY			TPA	GROMMET CAP																																			
		MATERIAL/PART	WIRE DRESS OPTION	KEY OPTION Fp		COLOR OPTION Fp	NUMBERS INDICATE CAVITIES OPEN FOR CIRCUITS Fp																																		
		NUMBER																																							
SALEABLE	NOT APPLICABLE	34566-7423	0	C	BLUE	52	51	70	69	48	67	46	45	64	61	60	57	54	34	33	73	32	28	27	25	37	18	17													
						16	15	14	13	12	11	10	9	8	7																										
						72				68						62	61	60	59			55																			
						52				48	47	46		44	43		41	40		38	37	36	35																		
SALEABLE	NOT APPLICABLE	34566-7433	0	B	ST GRY	72				68									55	73	16	15	14				20	19	18	17											
						16	15	14						8			4																								
						72	71	70	69	68		66	65	64	63		60		57	56	54																				
						52	51	50	49	48		46	45	44	43	42		40	39	38	37	36	34																		
SALEABLE	NOT APPLICABLE	34566-7443	0	A	BLACK	72	71	70	69	68										54	73		31	30	29	28		26	25		23	22	21	20							
												15	14	13	12			9		7	6	5	4		2																
						72	71	70	69	68		66	65	64	63		60		57	56	54																				
						52	51	50	49	48		46	45	44	43	42		40	39	38	37	36	34																		
SALEABLE	NOT APPLICABLE	34566-7453	0	C	BLUE	72	71	70	69	68		66	65	64	63		60		57	56	54	73		15	14	13	12		9		7	6	5	4					2		
												16	15	14	13	12	11	10	9	8	7																				
						72	71	70	69	68		66	65	64	63		60		57	56	54																				
						52	51	50	49	48		46	45	44	43	42		40	39	38	37	36	34																		
SALEABLE	NOT APPLICABLE	34566-7463	0	B	ST GRY	72				68										55	73																				
												16	15	14							22	21	20	19	18																
						72				68	67				63	62	61						55																		
						52				48	47	46			43			40																							
SALEABLE	NOT APPLICABLE	34566-7473	0	B	ST GRY	72				68	67				63	62	61				55	73																			
												16		14				11		8	6	4																			
						72				68					62	61							55																		
						52				48	47	46			43			40																							
SALEABLE	NOT APPLICABLE	34566-7483	0	B	ST GRY	72				68					62	61					55	73																			
												16	15	14						8	6	4																			
						72				68					62	61							55																		
						52				48	47	46			43			40																							
SALEABLE	NOT APPLICABLE	34566-7493	0	C	BLUE	72			69		67			64		62		60		57	56	54	73																		
												16	15	14	13	12	11	10	9	8	7																				
						72	71	70	69	68		66	65	64	63		60		57	56	54																				
						52	51	50	49	48		46	45	44	43	42		40	39	38	37	36	34																		
SALEABLE	NOT APPLICABLE	34566-7513	9	A	BLACK	72	71	70	69	68		66	65	64	63		60		57	56	54	53	73																		
												15	14	13	12					7	6	5	4		2																
						72	71	70	69	68		66	65	64	63		60		57	56	54																				
						52	51	50	49	48		46	45	44	43		40	39	38	37	36	34																			
SALEABLE	NOT APPLICABLE	34566-7523	0	A	BLACK	72								64		62	61		59	58	57	56	55	54	73																
												16	15	13				11	10	9					4																
						72	51			48	47	46	45		43		41	40					37			33															
						52				48	47	46	45		43		41	40																							
SALEABLE	NOT APPLICABLE	34566-7533	0	G	BLUE	80	79	78																	73																
						60	59	58	57						51	50	49	48	47		45	44		42	41																
						40	39			37	36		34	33	32		30	29	28	27		25	24	23	22	21															
SALEABLE	NOT APPLICABLE	34566-7543 SAME AS P/N 34566-1553	0	A	BLACK	20	19	18																73																	
SALEABLE	NOT APPLICABLE	34566-7553 SAME AS P/N 34566-1983	0	B	ST GRY	72																		73																	
SALEABLE	NOT APPLICABLE	34566-7563 SAME AS P/N 34566-1993	0	C	BLUE	72																		73																	
SALEABLE	NOT APPLICABLE	34566-7573	0	B	ST GRY	72			70		68														73																
						72				68																															
						52				48	47	46			43			40																							



MX123 52/66/73/80-WAY RECEPTACLE ASSY SEALED PIN OUT SHEET

STATUS	GM PART #	HRNS CONN ASSY			TPA	GROMMET CAP																																											
		MATERIAL/PART	WIRE DRESS OPTION	KEY OPTION Fp		COLOR OPTION Fp	NUMBERS INDICATE CAVITIES OPEN FOR CIRCUITS																																										
		NUMBER					Fp																																										
SALEABLE	NOT APPLICABLE	34566-7583	9	A	BLACK	72			70					67							63				60	59	58	57																					
						52								48	47	46							43	42			40	39	38	37																			
						73									32	31	30	29	28	27						9				7															2	1			
SALEABLE	NOT APPLICABLE	34566-7593	9	A	BLACK	72				69	68						64			62	61			59	58	57	56	55	54	53																			
						52	51	50					48	47	46	45					43			41	40					37													35		33				
						73																	27	26	25	24							20	19	18														
SALEABLE	TBD	34822-0093	9	A	BLACK		63	62	61	60	59								54	53			51		49																								
							47																	38	37			35		33																			
						65																28						22	21												20	19	18	17					
SALEABLE	TBD	34822-0103	0	A	BLACK		63							58	57	56	55	54	53			51		49																									
							47																			41	40					38	37																
						65																																											
SALEABLE	TBD	34822-0113	9	A	BLACK					61	60	59	58				56	55																															
						65																																											
SALEABLE	NOT APPLICABLE	34822-0123	9	C	BLUE																																												
						64	63	62	61	60																																							
						65																																											
SALEABLE	NOT APPLICABLE	34566-7613	9	H	ST GRAY	80	79	78											71	70																													
						73																																											
SALEABLE	NOT APPLICABLE	34566-7623	9	G	BLUE	80	79	78																																									
						73																																											
SALEABLE	TBD	34822-0133	0	C	BLUE	64	63	62	61	60																																							
						65																																											
SALEABLE	NOT APPLICABLE	34566-7633	9	A	BLACK	72	71	70	69	68	67	66	65	64	63																																		
						73																																											
SALEABLE	NOT APPLICABLE	34566-7643	9	B	ST GRAY																																												
						73																																											
SALEABLE	TBD	34822-0143	0	A	BLACK					61	60	59	58																																				
						65																																											
SALEABLE	NOT APPLICABLE	34566-7653	0	B	ST GRAY	72																																											
						73																																											
SALEABLE	NOT APPLICABLE	34566-7663	0	B	ST GRAY	72																																											
						73																																											
SALEABLE	NOT APPLICABLE	34566-7673	0	C	BLUE		71	70	69																																								
						73																																											

MX123 52/66/73/80-WAY RECEPTACLE ASSY SEALED PIN OUT SHEET

STATUS	GM PART #	HRNS CONN ASSY			TPA	GROMMET CAP																				
		MATERIAL/PART	WIRE DRESS OPTION	KEY OPTION Fp	COLOR OPTION Fp	NUMBERS INDICATE CAVITIES OPEN FOR CIRCUITS																				
		NUMBER				Fp																				
SALEABLE	NOT APPLICABLE	34566-7683	9	B	ST GRY	72	71	70	69	68	67	66	65	64	63	62	61	60	59		57	56	55			
						52	51	50	49	48	47	46	45	44	43		26	25	24	23	22	21	20	19	18	17
						73				32	31	30	29	28		11		9	8	7	6	5	4	3	2	1
SALEABLE	NOT APPLICABLE	34566-7693	9	A	BLACK	72							64		62	61			57	56	55	54				
						52	51					46	45		43		40			37		35	34			
						73				32	31	30	29	27	25						20					
SALEABLE	NOT APPLICABLE	34566-7713	9	A	BLACK	72							64		62	61			58	57	56	55	54			
						52	51			48		46	45		43		41	40		37		35	34			
						73				32		30	29	27	25					20						
SALEABLE	NOT APPLICABLE	34566-7723	9	A	BLACK	72							64		62	61			57	56	55	54	53			
						52	51			48		46	45		43		41	40		37		35	34			
						73				32		30	29	27	25					20						
SALEABLE	NOT APPLICABLE	34566-7733	9	A	BLACK	72							64		62	61			57	56	55	54	53			
						52	51			48		46	45		43		41	40		37		35	34			
						73				32		30	29	27	25					20						
SALEABLE	NOT APPLICABLE	34566-7743	0	C	BLUE	72		70		68	67	66		64	63	62	61	60	59	57	56	55	54	53		
						52	51		49	48	47	46		44		41	40	39		37	36	35	34	33		
						73				32		30		27	26	25	24		22	21	20					
SALEABLE	NOT APPLICABLE	34566-7753	0	A	BLACK		71	70	69	68	67		64	63	62	61	60	59	58	57	56	55	54	53		
						52	51	50	49			45	44	43	42	41		39	38	37	36		34			
						73				32	31		29	28	27	26	25					19	18			
SALEABLE	NOT APPLICABLE	34566-7763	0	F	NATURAL																					
						73																				
SALEABLE	NOT APPLICABLE	34566-7773	0	B	ST GRY	72		70						63	62	61	60	59								
						52						46			43		41	40								
						73								27					22	21	20	19	18			
SALEABLE	TBD	34822-0153	9	A	BLACK		63	62	61	60	59				54	53		51		49	66					
							47								38	37		35		33						
						65								28			25		22	21	20	19	18	17		
SALEABLE	NOT APPLICABLE	34566-7783	0	A	BLACK	72	71	70	69	68		66	65	64	63		60	59		57	56		54			
						52	51	50	49	48		46	45	44	43	42	41	40	39	38	37	36		34		
						73				32	31	30	29	28		26	25		23	22	21				2	1
SALEABLE	NOT APPLICABLE	34566-7793	0	A	BLACK	72		70			67	66	65		63		60	59	58	57	56	55				
						52	51		49	48	47	46	45		43	42		40	39	38	37	36	35			
						73								28	27			23	22	21				18	17	
SALEABLE	NOT APPLICABLE	34566-7813	0	A	BLACK			70	69	68	67				63	62	61	60	59	58	57	56	55	54	53	
						52	51	50	49					44	43	42	41	40	39	38	37	36		34		
						73				32			29	28	27	26	25			21		19	18			
SALEABLE	NOT APPLICABLE	34566-7823	0	B	ST GRY					68	67				63	62	61	60	59							
						52				48	47	46		44	43		41	40		38	37	36	35			
						73						30		27						20	19	18				
SALEABLE	NOT APPLICABLE	34566-7833	0	B	ST GRY	72	71	70	69	68	67	66	65	64	63		61	60	59		57	56	55			
						52	51	50	49	48	47	46	45	44	43		41	40	39	38	37	36	35	34	33	
						73				32	31	30	29	28		26	25	24	23	22	21	20	19	18	17	

MX123 52/66/73/80-WAY RECEPTACLE ASSY SEALED PIN OUT SHEET

STATUS	GM PART #	HRNS CONN ASSY			TPA	GROMMET CAP																			
		MATERIAL/PART	WIRE DRESS OPTION	KEY OPTION Fp	COLOR OPTION Fp	NUMBERS INDICATE CAVITIES OPEN FOR CIRCUITS																			
		NUMBER				Fp																			
SALEABLE	NOT APPLICABLE	34566-7843	9	C	BLUE	52	71	50	49	48	67	47	65	64	45	44	62	61	60	58	57	54	33		
						73				16	15	14	13	12	11	10	9	38	37	34	33				
						72	71	70	69	68	67	66	64	63	62	61	60	59	57	54	53				
SALEABLE	NOT APPLICABLE	34566-7853	9	C	BLUE	52	51	50	49	48	47	46	44	39	38	37	36	35	34	33					
						73				16	15	14	13	12	11	10	9	8	7	6	5	17			
						72	71	70	69	68	67	66	64	63	62	61	60	59	57	54	53				
SALEABLE	NOT APPLICABLE	34566-7863	9	C	BLUE	52	51	50	49	48	47	46	44	40	39	37	36	35	34	33					
						73				32	31	30	29	28	27	26	25	24	22	21	20	19	18	17	
						72	71	70	69	68	67	66	64	63	62	61	60	59	57	54	53				
SALEABLE	NOT APPLICABLE	34566-7873	9	A	BLACK	71	70	69	68	67	66	65	64	63	62	61	60	58	57	56	55	54			
						73				16	15	14	13	12	11	10	9	8	7	6	5	4	3	2	1
						52	51	50	49	48	47	46	44	43	42	41	40	39	38	37	36	35	34	33	
SALEABLE	NOT APPLICABLE	34566-7883	9	A	BLACK	72	71	70	69	68	67	66	65	64	63	62	61	60	58	57	56	55	54		
						73				16	15	14	13	12	11	10	9	8	7	6	5	4	3	2	1
						52	51	50	49	48	47	46	44	43	42	41	40	39	38	37	36	35	34	33	
SALEABLE	NOT APPLICABLE	34566-7893	9	A	BLACK	72	71	70	69	68	67	66	65	64	63	62	61	60	58	57	56	55	54		
						73				16	15	14	13	12	11	10	9	8	7	6	5	4	3	2	1
						52	51	50	49	48	47	46	44	43	42	41	40	39	38	37	36	35	34	33	
SALEABLE	TBD	34822-0163	0	A	BLACK	64	63	62	61	60	59	58	57	56	55	54	53	52	51	50	49	48			
						65				15	14	13	12	11	10	9	8	7	6	5	4	3	2	1	
						80	79	78	77	76	75	74	73	72	71	70	69	68	67	66	65	64	63	62	61
SALEABLE	NOT APPLICABLE	34566-7913	9	G	BLUE	60	59	58	57	56	55	54	53	52	51	50	49	48	47	46	45	44	43		
						73				16	15	14	13	12	11	10	9	8	7	6	5	4	3	2	1
						40	39	38	37	36	35	34	33	32	31	30	29	28	27	26	25	24	23	22	21
SALEABLE	NOT APPLICABLE	34566-7923	0	C	BLUE	72	71	70	69	68	67	66	64	63	62	61	60	58	57	56	55	54	53		
						73				16	15	14	13	12	11	10	9	8	7	6	5	4	3	2	1
						52	51	50	49	48	47	46	44	43	42	41	40	39	38	37	36	35	34	33	
SALEABLE	NOT APPLICABLE	34566-7933	0	A	BLACK	72	71	70	69	68	67	66	65	64	63	62	61	60	58	57	56	55	54		
						73				16	15	14	13	12	11	10	9	8	7	6	5	4	3	2	1
						52	51	50	49	48	47	46	44	43	42	41	40	39	38	37	36	35	34	33	
SALEABLE	NOT APPLICABLE	34566-7943	0	B	ST GRAY	72	71	70	69	68	67	66	64	63	62	61	60	59	58	57	56	55	54		
						73				16	15	14	13	12	11	10	9	8	7	6	5	4	3	2	1
						52	51	50	49	48	47	46	44	43	42	41	40	39	38	37	36	35	34	33	
SALEABLE	NOT APPLICABLE	34566-7953	0	B	ST GRAY	72	71	70	69	68	67	66	64	63	62	61	60	59	58	57	56	55	54		
						73				16	15	14	13	12	11	10	9	8	7	6	5	4	3	2	1
						52	51	50	49	48	47	46	44	43	42	41	40	39	38	37	36	35	34	33	
SALEABLE	NOT APPLICABLE	34566-7963	9	A	BLACK	72	71	70	69	68	67	66	65	64	63	62	61	60	58	57	56	55	54		
						73				16	15	14	13	12	11	10	9	8	7	6	5	4	3	2	1
						52	51	50	49	48	47	46	44	43	42	41	40	39	38	37	36	35	34	33	
SALEABLE	NOT APPLICABLE	34566-7973	9	B	ST GRAY	72	71	70	69	68	67	66	64	63	62	61	60	59	58	57	56	55	54		
						73				16	15	14	13	12	11	10	9	8	7	6	5	4	3	2	1
						52	51	50	49	48	47	46	44	43	42	41	40	39	38	37	36	35	34	33	
SALEABLE	NOT APPLICABLE	34566-7983	9	B	ST GRAY	72	71	70	69	68	67	66	64	63	62	61	60	59	58	57	56	55	54		
						73				16	15	14	13	12	11	10	9	8	7	6	5	4	3	2	1
						52	51	50	49	48	47	46	44	43	42	41	40	39	38	37	36	35	34	33	



MX123 52/66/73/80-WAY RECEPTACLE ASSY SEALED PIN OUT SHEET

Table with columns: STATUS, GM PART #, HRNS CONN ASSY (MATERIAL/PART NUMBER, WIRE DRESS OPTION, KEY OPTION Fp), TPA, COLOR OPTION Fp, GROMMET CAP (NUMBERS INDICATE CAVITIES OPEN FOR CIRCUITS). Rows include part numbers like 34566-7993, 34566-8013, 34822-0173, 34566-8023, 34566-8033, 34566-8043, 34566-8053, 34566-8063, 34566-8073, 34566-8083, 34566-8093, 34566-8113, 34566-8123, 34566-8133, and 34566-8143.

MX123 52/66/73/80-WAY RECEPTACLE ASSY SEALED PIN OUT SHEET

STATUS	GM PART #	HRNS CONN ASSY			TPA	GROMMET CAP																					
		MATERIAL/PART	WIRE DRESS OPTION	KEY OPTION Fp	COLOR OPTION Fp	NUMBERS INDICATE CAVITIES OPEN FOR CIRCUITS																					
		NUMBER				Fp																					
SALEABLE	NOT APPLICABLE	34566-8153	0	C	BLUE	72	71	70	69	68	67	66	65	64	63	62	61	60	59	58	57	56	55	34	33		
						52	51	50						28	27											35	18
						73				16		14	13													3	
SALEABLE	NOT APPLICABLE	34566-8163	9	B	ST GRAY					68	67			64	63			59	58			55	54				
											47	46	45	44	43				39	38				35			
						73				32	31	30	29	28	27				23	22					19	17	
SALEABLE	NOT APPLICABLE	34566-8173	0	B	ST GRAY	72		70		68	67				63	62	61	60	59								
						52						46			43		41	40									
						73									27					22	21	20	19	18			
SALEABLE	NOT APPLICABLE	34566-8183	9	H	ST GRAY																						
						73				16		14			11			8		6		4					
SALEABLE	NOT APPLICABLE	34566-8193	0	G	BLUE		79	78	77	76	75	74			71				67		65		63				
						60	59	58	57	56	55	54		52					47		45		43				
						40		38	37					33	32	31	30	29		27	26						
SALEABLE	NOT APPLICABLE	34566-8213	0	H	ST GRAY	20																					
						73																					
SALEABLE	NOT APPLICABLE	34566-8223	9	A	BLACK																						
						73				32				29					25						20		
SALEABLE	NOT APPLICABLE	34566-8233	9	G	BLUE				77	76	75	74	73	72		70	69	68		66	65	64	63	62	61		
										56	55		53	52						46	45		43	42			
								38	37	36	35	34			31					26			23	22	21		
SALEABLE	NOT APPLICABLE	34566-8243	9	G	BLUE	20	19																				
						73																					
SALEABLE	NOT APPLICABLE	34566-8253	9	G	BLUE				77	76	75	74	73	72		70	69	68		66	65	64	63	62	61		
										56	55		53	52						46	45		43	42			
								38	37	36	35	34			31					26			23	22	21		
SALEABLE	NOT APPLICABLE	34566-8263	9	G	BLUE	20	19																				
						73																					
SALEABLE	NOT APPLICABLE	34566-8273	9	G	BLUE	80	79	78							71				67								
						60	59	58	57				54			51	50	49	48	47				44		41	
						40	39							33	32		30	29	28	27			25	24			
SALEABLE	NOT APPLICABLE	34566-8283	9	G	BLUE				18						12	11		9	8			5		3	2		
						73																					
SALEABLE	NOT APPLICABLE	34566-8293	9	A	BLACK		71	70	69	68	67	66	65		63			60	59	58							
								50	49	48	47			44		42			39	38			36	35	34	33	
						73								31			28		26		24	23	22	21		19	18
SALEABLE	NOT APPLICABLE	34566-8313	9	A	BLACK		71	70	69		67	66	65		63			60	59	58							
								50	49	48	47			44		42	41		39	38			36	35	34	33	
						73								31			28		26		24	23	22	21		19	18

MX123 52/66/73/80-WAY RECEPTACLE ASSY SEALED PIN OUT SHEET

STATUS	GM PART #	HRNS CONN ASSY			TPA	GROMMET CAP																							
		MATERIAL/PART	WIRE DRESS OPTION	KEY OPTION Fp	COLOR OPTION Fp	NUMBERS INDICATE CAVITIES OPEN FOR CIRCUITS																							
		NUMBER				Fp																							
SALEABLE	NOT APPLICABLE	34566-8323	9	A	BLACK	71	70	69	68	67	66	65		63		60							53						
								50	49		47			44		42			39	38			36			33			
						73						31			28		26		24	23	22	21		19	18	17			
SALEABLE	NOT APPLICABLE	34566-8333	9	A	BLACK	71	70	69	68	67	66	65		63		60							53						
								50	49	48	47			44		42	41		39	38			36			33			
						73						31			28		26		24	23	22	21		19	18	17			
SALEABLE	NOT APPLICABLE	34566-8343	9	A	BLACK	71	70	69	68	67	66	65		63		60							53						
								50	49		47			44		42			39	38			36	35	34	33			
						73						31			28		26		24	23	22	21		19	18	17			
SALEABLE	NOT APPLICABLE	34566-8353	9	A	BLACK	72								64		62	61					57	56	55	54	53			
						52	51						46	45		43		41	40				37						
						73						32		30	29		27		25					20					
SALEABLE	NOT APPLICABLE	34566-8363	9	A	BLACK	72								64		62	61					57	56	55	54	53			
						52	51						46	45		43		41	40				37						
						73						32		30	29		27		25					20					
SALEABLE	NOT APPLICABLE	34566-8373	9	A	BLACK	72								64		62	61					57	56	55	54	53			
						52	51						46	45		43		41	40				37						
						73						32		30	29		27		25					20					
SALEABLE	NOT APPLICABLE	34566-8383	9	A	BLACK	72								64		62	61					57	56	55	54	53			
						52	51						46	45		43		41	40				37						
						73						32		30	29		27		25					20					
SALEABLE	NOT APPLICABLE	34566-8393	0	A	BLACK	72		70						64		62	61					57	56	55	54	53			
						52	51		49	48					43								36	35	34	33			
						73						31	30	29	28	27			24	23	22	21	20	19	18	17			
SALEABLE	NOT APPLICABLE	34566-8413	0	A	BLACK	72		70						64		62	61					57	56	55	54	53			
						52	51		49	48					43								36	35	34	33			
						73						31	30	29	28	27			24	23	22	21	20	19	18	17			
SALEABLE	NOT APPLICABLE	34566-8423	0	C	BLUE				69					64		62	61	60				57			54				
						52	51	50	49	48			46	45	44		42	41					37			34	33		
						73									28	27	26	25											
SALEABLE	NOT APPLICABLE	34566-8433	0	H	ST GRAY		79	78	77																61				
						20													9					5				1	
SALEABLE	NOT APPLICABLE	34566-8443	0	C	BLUE		71	70									61	60	59	58	57				54				
						52	51	50		48	47		45	44			41		39	38	37					34	33		
						73						32			28	27		25		23							18	17	
SALEABLE	NOT APPLICABLE	34566-8453	0	A	BLACK	72	71	70	69	68		66	65	64	63		60					57	56			54			
						52	51	50	49	48		46	45	44	43	42		40	39	38	37	36				34			
						73						32	31	30	29	28					23	22	21	20					
SALEABLE	NOT APPLICABLE	34566-8463	0	B	ST GRAY			70								62	61	60	59					55					
						52				48	47	46		44	43			41	40				38	37	36	35			
						73							30									22	21	20	19	18			
SALEABLE	NOT APPLICABLE	34566-8473	0	C	BLUE		71	70								62	61	60				58	57			54			
						52	51	50	49	48	47		45	44			42	41					38	37			35	34	33
						73						32			28	27	26	25									19	18	17

MX123 52/66/73/80-WAY RECEPTACLE ASSY SEALED PIN OUT SHEET

STATUS	GM PART #	HRNS CONN ASSY			TPA	GROMMET CAP																					
		MATERIAL/PART	WIRE DRESS OPTION	KEY OPTION Fp	COLOR OPTION Fp	NUMBERS INDICATE CAVITIES OPEN FOR CIRCUITS																					
		NUMBER				Fp																					
SALEABLE	NOT APPLICABLE	34566-8483	0	A	BLACK	72	71	70	69	68		66	65	64	63		61	60			57	56		54	53		
						52	51	50	49	48		46	45	44	43	42			40	39	38	37	36		34	33	
						73				32	31	30	29	28						23	22	21	20				2
SALEABLE	NOT APPLICABLE	34566-8493	0	B	ST GRAY	72		70		68	67					62	61	60	59				55				
						52				48	47	46		44	43			40									33
						73						30								22	21	20	19	18	17		
SALEABLE	NOT APPLICABLE	34566-8513	9	A	BLACK	72	71	70	69	68		66	65	64	63		61	60			57	56		54	53		
						52	51	50	49	48		46	45	44	43			40	39	38	37	36		34	33		
						73				32	31	30	29	28					24	23	22						
SALEABLE	NOT APPLICABLE	34566-8523	9	B	ST GRAY	72		70		68						62	61						55				
						52				48	47	46			43			40									
						73						30								22	21	20	19	18	17		
SALEABLE	NOT APPLICABLE	34566-8533	9	C	BLUE			70		67	66	65	64			61	60			57			54				
						52	51	50	49	48	47		45	44			41				37			34	33		
						73				32				28	27			25								18	17
SALEABLE	NOT APPLICABLE	34566-8543	9	C	BLUE		71		69		67	66	65	64			61	60			57		54				
						52	51	50	49	48	47	46	45	44							37			34	33		
						73				32				28	27												
SALEABLE	NOT APPLICABLE	34566-8553	0	B	ST GRAY					67	66	65	64			61	60			57			54				
						52	51	50	49	48	47	46	45	44											34	33	
						73				32				28	27												
SALEABLE	NOT APPLICABLE	34566-8563	0	A	BLACK	72		70		68						62	61	60	59				55				
						52				48	47	46			43			41	40								
						73				16	15	14								8		6		4			
SALEABLE	NOT APPLICABLE	34566-8573	0	B	ST GRAY	72	71	70	69	68	67	66	65	64	63		61	60	59		57	56	55				
						52	51	50	49	48	47	46	45	44	43		41	40	39	38	37	36	35			33	
						73				32	31	30	29	28				26		24	23	22	21	20	19		
SALEABLE	NOT APPLICABLE	34566-8583	0	C	BLUE	72	71	70	69		67	66	65	64			60				56			54			
						52	51	50	49		47	46	45	44				40	39	38				34			
						73					31	30		28		26	25	24	23	22	21					17	
SALEABLE	NOT APPLICABLE	34566-8593	0	B	ST GRAY	72				68						62	61	60	59				55				
						52				48	47	46			43			41	40			38	37	36	35		
						73						30									22	21	20	19	18		
SALEABLE	TBD	34822-0183	0	A	BLACK	64	63	62	61	60	59					54	53		51		49	66					
																38	37		35		33						
						65					15	14	13						8	7			4	3	2	1	
SALEABLE	TBD	34822-0193	0	A	BLACK	64	63								54	53		51		49	66						
															38	37		35		33							
						65							28					24	23		21	20	19	18	17		
SALEABLE	TBD	34822-0203	0	A	BLACK					15	14	13					8	7			4	3	2	1			
						64	63	62	61	60	59					54	53		51		49	66					
																38	37		35		33						
SALEABLE	TBD	34822-0213	0	A	BLACK					31			28				24	23	22	21	20	19	18	17			
																		8	7			4					
						65					31							24	23	22	21	20	19	18	17		

MX123 52/66/73/80-WAY RECEPTACLE ASSY SEALED PIN OUT SHEET


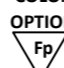

STATUS	GM PART #	HRNS CONN ASSY			TPA	GROMMET CAP																					
		MATERIAL/PART	WIRE DRESS OPTION	KEY OPTION Fp	COLOR OPTION Fp	NUMBERS INDICATE CAVITIES OPEN FOR CIRCUITS																					
		NUMBER				Fp																					
SALEABLE	NOT APPLICABLE	34566-8613	0	C	BLUE	52	71	70			67	66	65	64			61	60	59	58	57			54			
										48	47			45	44			41	40	39	38	37				34	33
						73				32				28	27			25		23							18
SALEABLE	NOT APPLICABLE	34566-8623	9	C	BLUE					68			65		63	62	61		59	58	57	56	55		53		
										48			45		43	42	41					37	36	35	34	33	
						73				32	31													20	19	18	
SALEABLE	NOT APPLICABLE	34566-8633	0	B	ST GRAY	72										62	61										
						52				48	47	46			43			40									
						73							30									22	21	20	19	18	17
SALEABLE	NOT APPLICABLE	34566-8643	0	C	BLUE		71	70			67	66		64			61	60			57			54			
						52	51	50	49	48			45	44			41			37						34	33
						73				32				28	27			25									18
SALEABLE	NOT APPLICABLE	34566-8653	9	C	BLUE		71			69			67	66	65	64	63		61	60			57				
						52	51	50		48	47	46	45		43			41			37					34	33
						73								28	27			25									
SALEABLE	NOT APPLICABLE	34566-8663	0	B	ST GRAY	72	71	70	69						64	63		61	60		58	57	56	55			
						52	51	50	49						43							38	37	36			33
						73				32			30	29	28		26	25	24	23	22	21	20				
SALEABLE	NOT APPLICABLE	34822-0223	0	A	BLACK	64	63	62	61	60	59					54	53		51		49	66					
															38	37		35		33							
						65					31			28				24	23	22	21	20	19	18	17		
SALEABLE	NOT APPLICABLE	34566-8673	0	F	NATURAL	72		70		68	67	66			63	62			59		57				53		
						52	51		49	48	47	46		44			41	40	39		37	36	35	34	33		
						73						30			27	26	25	24		22	21	20					
SALEABLE	NOT APPLICABLE	34566-8683	0	B	ST GRAY	72		70		68	67	66			63	62			59		57				53		
						52	51		49	48	47	46		44			41	40	39		37	36	35	34	33		
						73				32			30			27	26	25	24		22	21	20				
SALEABLE	NOT APPLICABLE	34566-8693	0	A	BLACK					68	67	66			63	62			59		57			53			
						52	51		49	48	47	46		44			41	40	39		37	36	35	34	33		
						73				32			30			27	26	25	24		22	21	20				
SALEABLE	NOT APPLICABLE	34566-8713	9	B	ST GRAY	72	71	70	69					64	63			61	60		58	57	56	55			
						52	51	50	49					43								38	37	36			33
						73				32			30	29	28		26	25	24	23	22	21	20				
SALEABLE	NOT APPLICABLE	34566-8723	0	C	BLUE		71	70				66		64			61	60			57			54			
						52	51	50	49	48			45	44			41			37						34	33
						73				32				28	27			25									18
SALEABLE	NOT APPLICABLE	34566-8733	0	A	BLACK	72	71	70	69	68		66	65	64	63			60		57	56			54			
						52	51	50	49	48		46	45	44	43	42		40	39	38	37	36			34		
						73				32	31	30	29	28						23	22	21	20				
SALEABLE	NOT APPLICABLE	34566-8743	0	C	BLUE					67	66		64											54			
						52	51	50	49		47	46		44					39	38							
						73						30	29	28	27	26	25	24	23	22	21						
SALEABLE	NOT APPLICABLE	34566-8753	0	B	ST GRAY	72	71	70	69	68	67	66	65	64	63		61	60		58	57	56	55	54	53		
						52	51	50	49	48	47	46	45	44	43		40			37	36	35	34	33			
						73				32			30	29	28		26	25	24		21		19				



MX123 52/66/73/80-WAY RECEPTACLE ASSY SEALED PIN OUT SHEET

STATUS	GM PART #	HRNS CONN ASSY			TPA	GROMMET CAP																					
		MATERIAL/PART	WIRE DRESS OPTION	KEY OPTION Fp	COLOR OPTION Fp	NUMBERS INDICATE CAVITIES OPEN FOR CIRCUITS																					
		NUMBER				Fp																					
SALEABLE	NOT APPLICABLE	34566-8763	0	A	BLACK	72	71	70				67	66						59	58	57	56	55	54	53		
						52	51	50				47	46							39		37	36	35		18	17
						73				32	31	30	29	28	27	26					21					3	2
SALEABLE	12672857	34822-0243	9	A	BLACK	64	63	62	61	60	59					54	53		51		49	66					
							47									38	37		35		33						
						65								28				25	24		22	21	20	19	18	17	
SALEABLE	NOT APPLICABLE	34822-0253	0	A	BLACK		63	62	61	60	59					54	53		51		49	66					
																38	37		35		33						
						65								28				25	24		22	21	20	19	18	17	
SALEABLE	NOT APPLICABLE	34822-0263	9	C	BLUE	64	63	62		60	59					54	53		51		49	66					
						48	47	46	45						39		37	36	35	34	33						
						65				32	31	30	29	28	27	26	25	24	23	22	21			19	18	17	
SALEABLE	NOT APPLICABLE	34822-0273	9	A	BLACK	64	63									54	53		51		49	66					
							47									38	37		35		33						
						65								28						22		20	19	18	17		
SALEABLE	NOT APPLICABLE	34822-0283	0	A	BLACK				61	60	59			58		56	55			51		49	66				
						65				32																	17
SALEABLE	NOT APPLICABLE	34822-0293	0	A	BLACK	64	63									54	53		51		49	66					
							47									38	37		35		33						
						65								28						22		20	19	18	17		
SALEABLE	NOT APPLICABLE	34566-8773	9	B	ST GRAY	72		70		68						62	61	60	59					55			
						52				48	47	46						43			40						
						73						30									22	21	20	19	18	17	
SALEABLE	NOT APPLICABLE	34566-8783	9	A	BLACK	72	71	70	69	68			66	65	64	63		61	60			57	56		54	53	
						52	51	50	49	48			46	45	44	43			40	39	38	37	36		34	33	
						73				32	31	30	29	28							23	22	21				
SALEABLE	NOT APPLICABLE	34566-8793	9	C	BLUE		71	70			67	66	65				61	60			57			54			
						52	51	50	49	48	47		45	44				41			37				34	33	
						73				32				28	27			25								18	17
SALEABLE	NOT APPLICABLE	34566-8813	9	B	ST GRAY	72	71	70	69	68	67			65	64	63		61	60	59		57	56	55	54	53	
						52	51	50	49	48	47	46	45	44	43	42			40	39			36	35	34	33	
						73				32	31	30	29	28	27	26	25	24	23	22	21						
SALEABLE	NOT APPLICABLE	34566-8823	9	C	BLUE	72	71	70	69		67	66		64				60							54		
						52	51	50	49		47	46		44				40	39								
						73						30	29	28	27	26	25	24	23	22	21						
SALEABLE	NOT APPLICABLE	34566-8833	9	C	BLUE	72		70		68	67	66			63	62			59		57			54	53		
						52	51		49	48	47	46		44				41	40	39		37	36	35	34	33	
						73				32		30			27	26	25	24		22	21	20					2
SALEABLE	NOT APPLICABLE	34566-8843	0	C	BLUE	72	71	70	69		67	66		64											54		
						52	51	50	49		47	46		44				41		39	38						
						73						30	29	28	27	26	25	24	23	22	21						
SALEABLE	NOT APPLICABLE	34566-8853	0	B	ST GRAY	72				68	67				63	62	61	60	59					55			
						52				48	47	46		44	43		41	40		38	37	36	35				
						73						30			27					22	21	20	19	18			1

MX123 52/66/73/80-WAY RECEPTACLE ASSY SEALED PIN OUT SHEET

STATUS	GM PART #	HRNS CONN ASSY			TPA	GROMMET CAP																							
		MATERIAL/PART	WIRE DRESS OPTION	KEY OPTION 	COLOR OPTION 	NUMBERS INDICATE CAVITIES OPEN FOR CIRCUITS																							
		NUMBER																											
SALEABLE	NOT APPLICABLE	34566-8863	0	B	ST GRY	72	71	70	69					64	63		61			58	57	56	55						
						52	51	50	49						43					26	25	24	23	22	21	20			33
						73				32		30	29	28			26	25	24	23	22	21	20						
SALEABLE	NOT APPLICABLE	34566-8873	0	B	ST GRY	72	71	70	69					64	63		61			58	57	56	55						
						52	51	50	49						43					26	25	24	23	22	21	20			33
						73				32	31	30	29	28			26	25	24	23	22	21	20						
SALEABLE	NOT APPLICABLE	34566-8883	0	B	ST GRY	72	71	70	69	68	67	66	65	64	63		61	60	59	58	57	56	55						
						52	51	50	49	48	47	46	45	44	43		41	40	39	38	37	36	35	34	33				
						73				32	31	30	29	28	27	26	25	24	23	22	21	20	19	18	17				
SALEABLE	NOT APPLICABLE	34566-8893	0	A	BLACK	72		70		68	67	66	65		63		60	59	58	57	56	55							
						52	51		49	48	47	46	45		43	42		40	39	38	37	36	35			18	17		
						73									28	27			23	22	21						2	1	
SALEABLE	NOT APPLICABLE	34566-8913	0	A	BLACK	72	71	70	69	68		66	65	64	63		60			57	56			54					
						52	51	50	49	48		46	45	44	43	42	41	40	39	38	37	36			34				
						73				32	31	30	29	28						23	22	21							
SALEABLE	NOT APPLICABLE	34566-8923	0	A	BLACK		71	70	69	68	67			64	63	62	61	60	59	57	56	55	54	53					
						52	51	50	49			46	45	44	43	42	41	40	39	38	37	36			34				
						73				32			29	28	27	26	25				21						18		
SALEABLE	NOT APPLICABLE	34566-8933	0	C	BLUE	72	71		69	68		66	65		63			59	58		56				53				
															43			39	38		36								
						73					31	30	29					24	23	22	21	20							
SALEABLE	NOT APPLICABLE	34566-8943	0	B	ST GRY	72				68					62	61									55				
						52						46			43			40											
						73														22	21	20	19	18	17				
SALEABLE	NOT APPLICABLE	34566-8953	9	C	BLUE	72	71	70	69		67	66		64			60								54				
						52	51	50	49		47	46		44			40	39	38										
						73						30	29	28	27	26	25	24	23	22	21							17	
SALEABLE	NOT APPLICABLE	34566-8963	0	B	ST GRY	72				48	47	46			43		41	40					55						
						52															22	21	20	19	18	17			
						73						30									6	5	4	3	2	1			
SALEABLE	NOT APPLICABLE	34566-8973	0	A	BLACK	72	71	70	69	68		66	65	64	63		60			57	56			54					
						52	51	50	49	48		46	45	44	43	42		40	39	38	37	36			34				
						73				32	31	30	29	28						23	22	21						17	
SALEABLE	NOT APPLICABLE	34566-8983	0	C	BLUE		71	70		68	67	66		64		61	60			57				54					
						52	51	50	49	48	47		45	44		41			37						34	33			
						73				32				28	27		25										18	17	
SALEABLE	NOT APPLICABLE	34822-0303	0	A	BLACK																			66					
						65																							
							63	62	61	60	59							54	53				49						
SALEABLE	NOT APPLICABLE	34822-0313	0	A	BLACK											38	37		35					66					
						65				31			28				24	23	22	21	20	19	18	17					
										16	15	14	13					8	7				4	3	2	1			
SALEABLE	NOT APPLICABLE	34566-8993	0	B	ST GRY							66			62			58											
															41			38	37										
						73																			19	18	17	1	



MX123 52/66/73/80-WAY RECEPTACLE ASSY SEALED PIN OUT SHEET

STATUS	GM PART #	HRNS CONN ASSY			TPA	GROMMET CAP																								
		MATERIAL/PART	WIRE DRESS OPTION	KEY OPTION Fp	COLOR OPTION Fp	NUMBERS INDICATE CAVITIES OPEN FOR CIRCUITS																								
		NUMBER				Fp																								
SALEABLE	NOT APPLICABLE	34566-9143	9	F	NATURAL	72	71	70			67	66	65	64	63	62	61	60	59			56	55	54	53					
						52	51	50	49	48	47	46	45	44										36	35	34				
						73				32	31		29	28	27	26	25	24	23	22	21	20								
SALEABLE	NOT APPLICABLE	34566-9153	9	B	ST GRY						66																			
																41						38	37							
						73																		20	19	18	17			
SALEABLE	NOT APPLICABLE	34566-9163	9	B	ST GRY					68	67	66	65			62		60	59					54	53					
										48	47	46	45	44		42	41	40	39							35	34			
						73					31				27												19	18	17	
SALEABLE	NOT APPLICABLE	34566-9173	0	B	ST GRY								65			62				58										
																41						38	37							
						73																			5			19	18	17
SALEABLE	NOT APPLICABLE	34822-0363	9	C	BLUE				61				58																	
										44	43		41	40		38												66		
						65					31																20			
SALEABLE	NOT APPLICABLE	34822-0373	9	A	BLACK	64	63	62	61	60						55			52	51			49							
						48	47	46	45							38												66		
						65				32		30	29		27												22	21	20	19
SALEABLE	NOT APPLICABLE	34822-0383	9	A	BLACK	64	63	62	61	60			57					52	51			49								
						48	47	46	45					40															66	
						65				32		30	29		27												22	21	20	19
SALEABLE	NOT APPLICABLE	34822-0393	0	A	BLACK	64	63	62	61	60			57					52	51			49								
						48	47	46	45							38													66	
						65				32		30	29		27												22	21	20	19
SALEABLE	NOT APPLICABLE	34822-0403	9	A	BLACK	64	63									54	53		51		49									
																38	37		35		33								66	
						65					31			28													22		20	19
SALEABLE	NOT APPLICABLE	34822-0413	0	A	BLACK																									
																														66
						65								28													22		20	19
SALEABLE	NOT APPLICABLE	34822-0423	9	A	BLACK																									
										44	43	42	41	40	39		37	36	35	34	33									66
						65					31			28				26	25	24	23									
SALEABLE	NOT APPLICABLE	34566-9183	9	B	ST GRY	72	71	70	69	68	67		65	64	63	62	61	60	59		57	56	55	54	53					
						52	51	50	49	48	47	46	45	44	43	42		40	39											66
						73				32	31	30	29	28	27	26	25	24	23	22	21									
SALEABLE	NOT APPLICABLE	34566-9193	9	F	NATURAL				69	68																				
						73							30																	
SALEABLE	NOT APPLICABLE	34822-0433	0	A	BLACK	64	63	62		60	59		57	56	55	54	53	52	51	50	49									
						48	47	46	45				42																	66
						65				32		30	29	28	27	26	25	24	23	22	21									
SALEABLE	NOT APPLICABLE	34822-0443	0	A	BLACK	64	63	62		60	59		57	56	55	54	53	52	51	50	49									
						48	47	46	45				42																	66
						65				32	31	30	29	28	27	26	25	24	23	22	21									

STATUS	GM PART #	HRNS CONN ASSY				TPA	GROMMET CAP																					
		MATERIAL/PART	WIRE DRESS OPTION	KEY OPTION Fp	COLOR OPTION Fp	NUMBERS INDICATE CAVITIES OPEN FOR CIRCUITS																						
		NUMBER				Fp																						
SALEABLE	NOT APPLICABLE	34822-0453	0	A	BLACK					44	59	58	57	56		54	53			50		66						
						65					31			28		26	25	24	23									
										16	15	14	13					9	8	7	6							
SALEABLE	NOT APPLICABLE	34566-9213	0	B	ST GRY		51	50	49	68	67	66	65	64					59	58	57		55	54	53			
						73									43	42	41	40	39	38	37		35		33			
										32	31	30						26		24	23	22		20				
SALEABLE	NOT APPLICABLE	34566-9223	9	B	ST GRY	72																		55				
						73															22	21	20	19	18			
						52				48	47	46										6		4	3			
SALEABLE	NOT APPLICABLE	34566-9233	9	C	BLUE		71			67		65	64			61	60	59		57			54					
						73														25	23				18			
						52	51	50		48	47		45	44			41		39		37						34	33
SALEABLE	NOT APPLICABLE	34566-9243	9	B	ST GRY	72	71	70	69					64	63		61			58	57	56	55					
						73																						
						52	51	50	49							43						38	37	36				33
SALEABLE	NOT APPLICABLE	34566-9253	9	B	ST GRY	72	71	70	69	68	67		65	64	63	62	61	60	59		57	56	55	54	53			
						73																						
						52	51	50	49	48	47	46	45	44	43	42		40	39						36	35	34	33
SALEABLE	NOT APPLICABLE	34566-9263	9	B	ST GRY	72				68						62	61	60	59					55				
						73															22	21	20					
						52						46			43		41	40										
SALEABLE	NOT APPLICABLE	34822-0463	0	A	BLACK	64	63	62		60	59		57	56	55	54	53	52	51	50	49	66						
						65																			20	19	18	17
										32		30	29	28	27	26	25	24	23	22	21				3	2		1
SALEABLE	NOT APPLICABLE	34822-0473	9	C	BLUE	64	63	62		60	59		57	56	55	54	53		51		49	66						
						65																			19	18	17	
										32												21				3	2	1
SALEABLE	NOT APPLICABLE	34822-0483	9	A	BLACK	64	63									54	53		51		49	66						
						65																			20	19	18	17
																						24	23	21				
SALEABLE	NOT APPLICABLE	34566-9273	9	B	ST GRY	72	71	70	69	68	67		65	64	63		61	60	59		57	56	55	54	53			
						73																						
									50	49	48	47	46		44	43	42		40	39					36	35	34	33
SALEABLE	NOT APPLICABLE	34822-0493	0	C	BLUE	64	63	62		60	59		57	56	55	54	53	52	51	50	49	66						
						65																						
										32		30	29	28	27	26	25	24	23	22	21				20	19	18	17
SALEABLE	NOT APPLICABLE	34566-9283	9	G	BLUE	80	79	78							71				67									
						65																						
SALEABLE	NOT APPLICABLE	34566-9293	9	G	BLUE	80	79	78							71				67									
						65																						
SALEABLE	NOT APPLICABLE	34566-9313	9	A	BLACK	72								64		62	61			58	57	56	55	54	53			
						73																						
										32		30	29		27		25								20			

MX123 52/66/73/80-WAY RECEPTACLE ASSY SEALED PIN OUT SHEET

STATUS	GM PART #	HRNS CONN ASSY			TPA	GROMMET CAP																							
		MATERIAL/PART	WIRE DRESS OPTION	KEY OPTION Fp	COLOR OPTION Fp	NUMBERS INDICATE CAVITIES OPEN FOR CIRCUITS																							
		NUMBER				Fp																							
SALEABLE	NOT APPLICABLE	34566-9323	9	A	BLACK	72									64		62	61		59	58	57	56	55	54	53			
						52	51				48		46	45		43		41	40							20			
						73				32		30	29		27		25										4	3	
SALEABLE	NOT APPLICABLE	34566-9333	9	A	BLACK	72									64		62	61		59	58	57	56	55	54	53			
						52	51				48		46	45		43		41	40							20			
						73				32		30	29		27		25										4	3	
SALEABLE	NOT APPLICABLE	34566-9343	9	C	BLUE	72		70	69	68							63	62				58		56	55		53		
									49						43	42		40					38		36	35			
						73						31	30	29				26		24				22	21	20	19		17
SALEABLE	NOT APPLICABLE	34822-0503	0	A	BLACK	64			62	61	60	59	58					54	53		51								
						48	47									38	37	36		34									
						65							30	29	28				26		24			21					17
SALEABLE	NOT APPLICABLE	34822-0513	9	A	BLACK		63	62	61								54	53					49						
																38	37		35					33					
						65						31			28				24			22	21	20	19	18	17		
SALEABLE	NOT APPLICABLE	34566-9353	9	A	BLACK	72										64		62	61			58	57	56	55	54	53		
						52	51				48		46	45		43		41	40						37		35	34	
						73				32		30	29		27		25										20		
SALEABLE	NOT APPLICABLE	34566-9363	9	A	BLACK	72										64		62	61				57	56	55	54	53		
						52	51						46	45		43			40						37		35	34	
						73				32		30	29		27		25										20		
SALEABLE	NOT APPLICABLE	34566-9373	9	G	BLUE	80																66		64					
							59		57										49										
							39												30										
SALEABLE	NOT APPLICABLE	34566-9383	9	A	BLACK	72	71	70	69	68					64	63	62	61		59	58	57	56	55	54	53			
						52	51	50		48	47	46	45	44	43		41	40	39	38	37					35	34	33	
						73				32		30	29		27	26	25	24								20	19	18	17
SALEABLE	NOT APPLICABLE	34566-9393	0	B	ST GRAY	72	71	70	69	68	67			65	64	63		61	60	59		57	56	55	54	53			
						52	51	50	49	48	47	46	45	44	43	42		40	39					36	35	34	33		
						73				32	31	30	29	28	27	26	25	24	23	22	21	20							
SALEABLE	NOT APPLICABLE	34566-9413	9	H	ST GRAY																								
SALEABLE	NOT APPLICABLE	34566-9423	0	A	BLACK	72	71	70						67	66							58	57	56	55	54	53		
						52	51	50						47	46								39		37	36	35		33
						73				32	31	30	29	28	27	26												18	17
SALEABLE	NOT APPLICABLE	34566-9433	0	B	ST GRAY	72	71	70	69	68	67	66	65	64	63		61				58	57	56	55	54	53			
						52	51	50	49	48	47	46	45	44				40	39					37	36	35	34	33	
						73						30	29	28	27	26	25	24			21								
SALEABLE	NOT APPLICABLE	34566-9443	9	B	ST GRAY	72	71	70	69	68	67			65	64	63	62	61	60	59		57	56	55	54	53			
								50	49	48	47	46			44	43	42		40	39					36	35	34	33	
						73				32	31	30	29	28	27	26	25	24	23	22	21								
SALEABLE	NOT APPLICABLE	34566-9453	0	A	BLACK	72	71	70	69					67					61	60	59		57	56	55	54	53		
						52	51							48			45	44			41	40	39	38	37	36	35	34	
						73						31	30	29		27	26	25			22						19	18	

**MX123 52/66/73/80-WAY RECEPTACLE ASSY SEALED PIN OUT SHEET**

STATUS	GM PART #	HRNS CONN ASSY			TPA	GROMMET CAP																										
		MATERIAL/PART	WIRE DRESS OPTION	KEY OPTION	COLOR	NUMBERS INDICATE CAVITIES OPEN FOR CIRCUITS ▽ Fp																										
		NUMBER		▽ Fp	▽ Fp																											
SALEABLE	NOT APPLICABLE	34566-9463	0	G	BLUE	80	79	78			75										66	65	64									
							59																46			43	42	41				
								39	38	37		35							30					26	25	24			22	21		
						20			18	17	16							12						8	7	6	5		3	2	1	
SALEABLE	NOT APPLICABLE	34566-9473	0	G	BLUE	80	79	78			75										66	65	64			62						
							59						53										46			43	42	41				
								39	38	37		35							30					26	25	24			22	21		
						20			18	17	16							12						8	7	6	5		3	2	1	
SALEABLE	NOT APPLICABLE	34566-9483	0	G	BLUE	80	79	78			75										66	65	64									
							59																46			43	42	41				
								39	38	37		35							30					26	25	24			22	21		
						20			18	17	16							12						8	7	6	5		3	2	1	
SALEABLE	NOT APPLICABLE	34566-9493	0	G	BLUE	80	79	78			75										66	65	64									
							59																46			43	42	41				
								39	38	37		35							30					26	25	24			22	21		
						20			18	17	16							12						8	7	6	5		3	2	1	
SALEABLE	NOT APPLICABLE	34566-9513	0	G	BLUE	80	79	78	77	76	75	74	73	72	71	70	69	68	67	66	65	64	63	62	61							
						60	59	58	57	56	55	54	53	52	51	50	49	48		46					43	42	41					
								39	38	37		35								30					26	25	24			22	21	
						20			18	17	16								12						8	7	6	5		3	2	1
SALEABLE	NOT APPLICABLE	34566-9523	0	G	BLUE	80	79	78			75										66	65	64				62					
							59						53										46			43	42	41				
								39	38	37		35			33				30					26	25	24			22	21		
						20			18	17	16								12						8	7	6	5		3	2	1
SALEABLE	NOT APPLICABLE	34822-0523	0	C	BLUE	64	63	62		60	59		57	56	55	54	53	52	51	50	49	66										
						48	47	46	45			42			39		37	36	35	34	33					19	18	17				
						65						32		30	29	28	27	26	25	24	23	22					3	2	1			
										16	15	14	13	12	11	10	9	8	7	6												
SALEABLE	NOT APPLICABLE	34566-9543	0	A	BLACK					49	48	47	46	45	44	43			40		38	37	36		34							
						73						32	31		29	28	27		25	24	23	22		20	19	18	17					
										16	15			12		10	9			6	5						2	1				
SALEABLE	NOT APPLICABLE	34566-9553	0	C	BLUE	52	51	50	49				66	65	64	63	62		60	59		57	56	55	54	53						
										32		30	29	28	27	26	25	24	23	22			37	36	35	34	33					
						73						16	15	14	13	12	11	10	9	8	7	6					3	2	1			
SALEABLE	NOT APPLICABLE	34566-9563	0	C	BLUE	72	71	70	69		67	66	65	64				60				56		54								
						52	51	50	49	48	47	46	45	44				40	39	38							34					
						73						31	30		28			26	25	24	23	22	21	20						17		
										16	15	14	13	12					9	8	7	6	5	4								
SALEABLE	NOT APPLICABLE	34566-9573	0	B	ST GRY	72	71	70	69	68	67		65	64	63		61	60	59		57	56	55	54	53							
						52	51	50	49	48	47	46	45	44	43	42		40	39			36	35	34	33							
						73						32	31	30	29	28	27	26	25	24	23	22	21									
										16	15	14	13	12	11	10	9	8	7	6			4	3	2							
SALEABLE	NOT APPLICABLE	34566-9583	0	B	ST GRY	72	71	70	69	68	67	66	65	64	63		61	60	59		57	56	55	54								
						52	51	50	49	48	47	46	45	44	43		41	40	39	38	37	36	35	34	33							
						73						32	31	30	29	28			26	25	24	23	22	21	20	19	18	17				
										16	15	14	13	12				9	8	7	6	5	4	3	2	1						
SALEABLE	NOT APPLICABLE	34566-9593	0	A	BLACK	72			70						63			60	59	58	57	56	55									
						52	51			48	47				43	42		40	39	38	37	36	35									
						73									28	27												18	17			
																12	11		9	7							2	1				
SALEABLE	NOT APPLICABLE	34566-9613	0	C	BLUE		71	70	69		67	66	65	64				60			56											
						52	51	50	49		47	46	45	44				40	39							34						
						73						31	30		28			26	25	24	23	22	21	20	19	18	17					
										16	15	14	13	12				9	8	7	6	5	4									
SALEABLE	NOT APPLICABLE	34566-9623	9	B	ST GRY	72	71	70						64	63		61			58	57	56	55									
						52	51	50						43						38	37	36										
						73						32		30	29	28		26	25	24	23	22	21	20								
										16		14	13			11	10	9	8	7	6	5	4									

MX123 52/66/73/80-WAY RECEPTACLE ASSY SEALED PIN OUT SHEET

STATUS	GM PART #	HRNS CONN ASSY			TPA	GROMMET CAP																					
		MATERIAL/PART	WIRE DRESS OPTION	KEY OPTION Fp	COLOR OPTION Fp	NUMBERS INDICATE CAVITIES OPEN FOR CIRCUITS																					
		NUMBER				Fp																					
SALEABLE	NOT APPLICABLE	34566-9633	9	B	ST GRAY	72	71	70	69	68	67		65	64	63		61	60	59		57	56	55	54	53		
						52	51	50	49	48	47	46	45	44	43	42		40	39				36	35	34	33	
						73				32	31	30	29	28	27	26	25	24	23	22	21	20				3	2
SALEABLE	NOT APPLICABLE	34566-9643	9	A	BLACK				69					64	63		61		59								
						52				48				44	43		41		39	38				35	34		
						73						30	29							10						5	2
SALEABLE	NOT APPLICABLE	34566-9653	9	G	BLUE	80													66	65							
							59		57																		
							39									30											
SALEABLE	NOT APPLICABLE	34566-9663	0	B	ST GRAY	72	71	70	69	68	67	66	65	64	63		61				58	57	56	55	54	53	
						52	51	50	49	48	47	46	45	44				40					37	36	35	34	33
						73				32		30	29	28		26	25	24			21						
SALEABLE	NOT APPLICABLE	34822-0533	9	C	BLUE	64	63			60	59		57	56	55		53	52	51	50	49	66					
						48	47	46	45			42			39	38		36	35	34	33						
						65				32		30	29	28	27	26	25	24	23	22			20			18	17
SALEABLE	NOT APPLICABLE	34822-0543	0	A	BLACK	64	63	62	61	60	59					54	53		51		49	66					
							47								38	37		35			33						
						65							28			25	24		22	21	20	19	18	17			
SALEABLE	NOT APPLICABLE	34822-0553	0	A	BLACK	64	63								54	53		51		49	66						
													38	37		35		33			20	19	18	17			
						65					31		28				24	23		21	20	19	18	17			
SALEABLE	NOT APPLICABLE	34822-0563	0	C	BLUE	64	63	62		60	59		57	56	55	54	53	52	51	50	49	66					
						48	47	46	45			42			39		37	36	35	34	33						
						65				32		30	29	28	27	26		24	23	22				19	18	17	
SALEABLE	NOT APPLICABLE	34566-9673	0	C	BLUE	72	71	70	69		67	66	65	64				60			56			54			
						52	51	50	49		47	46	45	44				40	39	38					34		
						73					31	30		28		26	25	24	23	22	21	20					17
SALEABLE	NOT APPLICABLE	34566-9683	0	B	ST GRAY	72	71	70	69	68	67	66	65	64	63		61	60			57	56	55	54			
						52	51	50	49	48	47	46	45	44	43		41	40			38	37	36	35		33	
						73				32	31	30	29	28		26		24	23	22	21	20	19				17
SALEABLE	NOT APPLICABLE	34566-9693	0	A	BLACK	72		70			67					63											
						52	51			48	47				43	42		40	39	38	37	36	35			33	
						73								28													18
SALEABLE	NOT APPLICABLE	34566-9713	0	B	ST GRAY					68	67	66	65	64					59	58	57		55	54	53		
							51	50	49	48		46	45		43	42		40	39	38	37			35		33	
						73				32	31	30				26		24	23	22		20					
SALEABLE	NOT APPLICABLE	34566-9723	0	B	ST GRAY																						
							51	50	49	48	47	46	45		43			40			37	36					
						73				32		30	29	28		26	25	24		21		19					
SALEABLE	NOT APPLICABLE	34566-9733	0	A	BLACK	72	71	70			67	66						59							53		
						52	51	50			47	46						39			37			35		33	
						73						30	29	28	27	26				21							17
SALEABLE	NOT APPLICABLE	34822-0573	0	A	BLACK	64	63									54	53		51		49	66					
															38	37		35		33							
						65							28				24		22		20	19	18	17			





## MX123 52/66/73/80-WAY RECEPTACLE ASSY SEALED PIN OUT SHEET

STATUS	GM PART #	HRNS CONN ASSY			TPA	GROMMET CAP																								
		MATERIAL/PART	WIRE DRESS OPTION	KEY OPTION 		COLOR OPTION 	NUMBERS INDICATE CAVITIES OPEN FOR CIRCUITS																							
		NUMBER																												
SALEABLE	NOT APPLICABLE	34822-0583	0	A	BLACK							44	59	58	57	56			54	53			50							
						65																						66		
SALEABLE	NOT APPLICABLE	34822-0593	0	A	BLACK	64	63	62		60	59		57	56	55	54	53		51		49	66								
						48	47	46	45																					
						65																						66		
SALEABLE	NOT APPLICABLE	34566-9743	0	B	ST GRY	72	71	70	69	68	67		65	64	63		61	60	59		57	56	55	54	53					
										48	47	46		44	43	42		40	39		36	35	34	33						
						73																								
SALEABLE	NOT APPLICABLE	34566-9753	0	C	BLUE	72	71	70	69		67	66	65	64			60			56		54								
						52	51	50	49		47	46	45	44		42	41	40	39											
						73																								
SALEABLE	NOT APPLICABLE	34566-9763	0	G	BLUE			78	77	76								67	66	65										
						73																								
SALEABLE	NOT APPLICABLE	34566-9773	0	A	BLACK	72	71	70		67	66							59			53									
						52	51	50		47	46																			
						73																								
SALEABLE	NOT APPLICABLE	34566-9783	0	B	ST GRY	72	71	70	69	68	67		65	64	63	62	61	60	59		57	56	55	54	53					
										48	47	46		44	43	42		40	39		36	35	34	33						
						73																								
SALEABLE	NOT APPLICABLE	34822-0603	0	C	BLUE	64	63	62		60	59		57	56	55	54	53		51		49	66								
						48	47	46	45																					
						65																				66				
SALEABLE	NOT APPLICABLE	34822-0613	0	A	BLACK			63	62	61		59					54	53			66									
						65																								
SALEABLE	NOT APPLICABLE	34566-9793	9	B	ST GRY	72	71		69	68	67		65	64	63		61			58	57	56	55	54	53					
						52	51	50	49	48	47			44	43		41			38	37	36								
						73																								
SALEABLE	NOT APPLICABLE	34566-9813	9	A	BLACK	72	71	70		67	66	65	64	63	62	61		59			55	54	53							
						52	51			47	46	45	44	43	42	41		39		37		36	35	34	33					
						73																								
SALEABLE	NOT APPLICABLE	34822-0623	0	A	BLACK	64	63	62		60	59		57	56	55	54	53	52	51	50	49	66								
						48	47	46	45																					
						65																				66				
SALEABLE	NOT APPLICABLE	34566-9823	0	A	BLACK	72	71	70	69	68	67		65	64	63		61	60	59		57	56	55	54	53					
						52	51	50	49	48	47	46	45	44	43	42		40	39		36	35	34	33						
						73																								
SALEABLE	NOT APPLICABLE	34822-0633	0	A	BLACK			63	62	61		59					54	53		49	66									
						65																								
SALEABLE	NOT APPLICABLE	34822-0643	9	C	BLUE	64	63			60	59		57	56	55		53	52	51	50	49	66								
						48	47	46	45																					
						65																				66				

MX123 52/66/73/80-WAY RECEPTACLE ASSY SEALED PIN OUT SHEET

STATUS	GM PART #	HRNS CONN ASSY			TPA	GROMMET CAP																				
		MATERIAL/PART	WIRE DRESS OPTION	KEY OPTION Fp	COLOR OPTION Fp	NUMBERS INDICATE CAVITIES OPEN FOR CIRCUITS																				
		NUMBER				Fp																				
SALEABLE	NOT APPLICABLE	34822-0653	0	A	BLACK	64	63	62	61		59					54	53			49	66					
											31			28				24		22	21	20	19	18	17	
						65					15	14	13	12				8	7				4	3	2	1
SALEABLE	NOT APPLICABLE	34566-9833	9	B	ST GRAY	72	71	70	69	68	67			64	63		61		58	57	56	55	54	53		
						52	51	50	49	48	47			44	43		41		38	37	36				33	
						73					32		30	29	28		26	25	24	23	22	21	20			
SALEABLE	NOT APPLICABLE	34566-9843	9	A	BLACK	72	71	70			67	66	65	64	63	62	61		59				55	54	53	
						52	51	50			47	46	45	44	43	42	41	40	39		37	36	35	34	33	
						73						30	29												18	17
SALEABLE	NOT APPLICABLE	34566-9853	9	B	ST GRAY	72	71	70	69	68	67		65	64	63	62	61	60	59	58	57	56	55	54	53	
						52	51	50	49	48	47	46	45	44	43	42		40	39			36	35	34	33	
						73					32	31	30	29	28	27	26	25	24	23	22	21	20			
SALEABLE	NOT APPLICABLE	34566-9863	0	B	ST GRAY	72	71	70	69	68	67		65	64	63	62	61	60	59		57	56	55	54	53	
						52	51	50	49	48	47	46	45	44	43	42		40	39			36	35	34	33	
						73					32	31	30	29	28	27	26	25	24	23	22	21				
SALEABLE	NOT APPLICABLE	34566-0004	0	A	BLACK	72	71	70	69		67			64	63		61	60	59		57	56	55	54	53	
						52	51			48			45	44	43		41	40	39	38	37	36	35	34	33	
						73					31	30	29		27	26	25		22				19	18		
SALEABLE	NOT APPLICABLE	34566-0014	0	G	BLUE	80	79	78	77		75								66	65	64		62			
							59		57										46			43	42	41		
							39	38	37		35		33	32		30				26	25	24		22	21	
SALEABLE	NOT APPLICABLE	34566-0024	0	G	BLUE	20		18	17	16	15			12			8	7	6	5		3	2	1		
SALEABLE	NOT APPLICABLE	34566-0034	0	G	BLUE	80	79	78			75							66	65	64		62				
							59		57				53						46			43	42	41		
							39	38	37		35		33	32		30				26	25	24		22	21	
SALEABLE	NOT APPLICABLE	34566-0044	0	A	BLACK	72	71	70	69		67			64			61	60	59		57	56	55	54	53	
						52	51			48			45	44			41	40	39	38	37	36	35	34	33	
						73					31	30	29		27	26	25		22				19	18		
SALEABLE	NOT APPLICABLE	34566-0054	0	G	BLUE	80	79	78	77		75							66	65	64		62				
							59		57										46			43	42	41		
							39	38	37		35		33			30				26	25	24		22	21	
SALEABLE	NOT APPLICABLE	34566-0064	0	A	BLACK	72	71	70	69		67			64	63		61	60	59		57	56	55	54	53	
						52	51			48			45	44	43		41	40	39	38	37	36	35	34		
						73					31	30	29		27	26	25		22				19	18		
SALEABLE	NOT APPLICABLE	34566-0084	0	A	BLACK			70	69		67			64			61	60	59		57	56	55	54	53	
						52	51			48			45	44			41	40	39	38	37	36	35	34	33	
						73					31	30	29		27	26	25		22				19			
SALEABLE	NOT APPLICABLE	34566-0094	0	B	ST GRAY	72	71	70	69	68	67		65	64	63	62	61	60	59		57	56	55	54	53	
						52	51	50	49	48	47	46	45	44	43	42		40	39			36	35	34	33	
						73					32	31	30	29	28	27	26	25	24	23	22	21				
SALEABLE	NOT APPLICABLE	34566-0104	0	B	ST GRAY	72	71	70	69	68	67		65	64	63	62	61	60	59		57	56	55	54	53	
								50	49	48	47	46		44	43	42		40	39			36	35	34	33	
						73					32	31	30	29	28	27	26	25	24	23	22	21				

**MX123 52/66/73/80-WAY RECEPTACLE ASSY SEALED PIN OUT SHEET**

STATUS	GM PART #	HRNS CONN ASSY				TPA	GROMMET CAP																										
		MATERIAL/PART	WIRE DRESS OPTION	KEY OPTION △ Fp	COLOR OPTION △ Fp	NUMBERS INDICATE CAVITIES OPEN FOR CIRCUITS △ Fp																											
		NUMBER																															
SALEABLE	NOT APPLICABLE	34566-0114	0	B	ST GRAY	72	71	70	69						64	63		61			58	57	56	55									
						52	51	50	49							43							38	37	36					33			
						73				32					30	29	28			26	25	24	23	22	21	20					1		
SALEABLE	NOT APPLICABLE	34566-0124	0	B	ST GRAY	72														62	61	60	59					55					
						52				48	47	46											40								33		
						73									30									22	21	20	19	18	17				
SALEABLE	NOT APPLICABLE	34566-0134	0	B	ST GRAY	72															62	61	60	59					55				
						52				48	47	46												41	40			38	37	36	35		
						73									30									22	21	20	19	18					
SALEABLE	NOT APPLICABLE	34566-0144	9	B	ST GRAY							66									41				58								
						73																		6		4	3				1		
SALEABLE	NOT APPLICABLE	34822-0663	9	C	BLUE				61	60																							
										44	43																					66	
						65									31														21	20	19		
SALEABLE	NOT APPLICABLE	34822-0673	0	A	BLACK	64									58	57	56	55															
						48	47	46	45	44	43	42	41	40	39								36									66	
						65									32					27	26	25											
SALEABLE	NOT APPLICABLE	34822-0683	9	A	BLACK		63	62	61	60	59											54	53						66				
										44																		35	33				
						65									31													24	23	22	21	20	19
SALEABLE	NOT APPLICABLE	34822-0693	9	C	BLUE			62	61																								
										44	43																						
						65									31																20	19	
SALEABLE	NOT APPLICABLE	34566-0154	9	B	ST GRAY	72	71	70	69	68	67	66	65	64	63	62	61	60	59					57	56	55	54	53					
						52	51	50	49	48	47	46	45	44	43	42	41	40	39									36	35	34	33		
						73				32	31	30	29	28	27	26	25	24	23	22	21										3	2	
SALEABLE	NOT APPLICABLE	34566-0164	0	G	BLUE	80	79	78	77		75														66	65	64		62				
																											46		44	43	42	41	
																35		33	32		30						26	25	24		22	21	
SALEABLE	NOT APPLICABLE	34566-0174	9	B	ST GRAY	72	71	70			67	66												60						53			
						52	51	50			47	46														39							33
						73									30	29	28					25	24	23	22					20	19		17
SALEABLE	NOT APPLICABLE	34566-0184	9	B	ST GRAY	72	71	70	69	68	67	66	65	64	63		61							58	57	56	55	54	53				
						52	51	50	49	48	47	46	45	44	43	42	41	40											37	36			
						73									32							26	25	24									