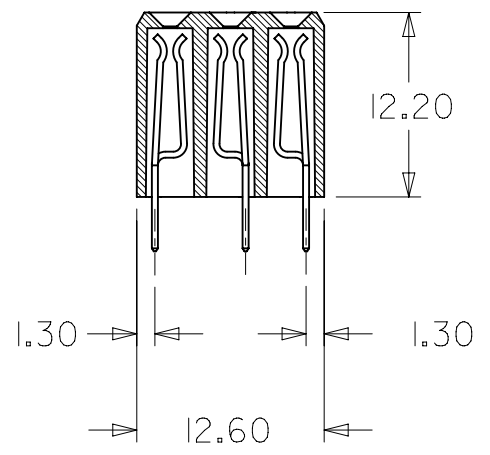
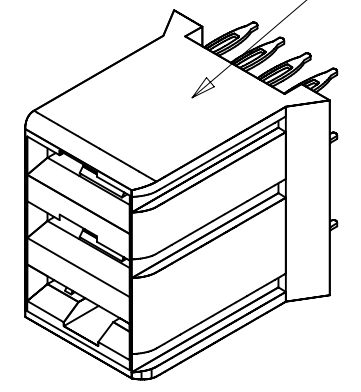
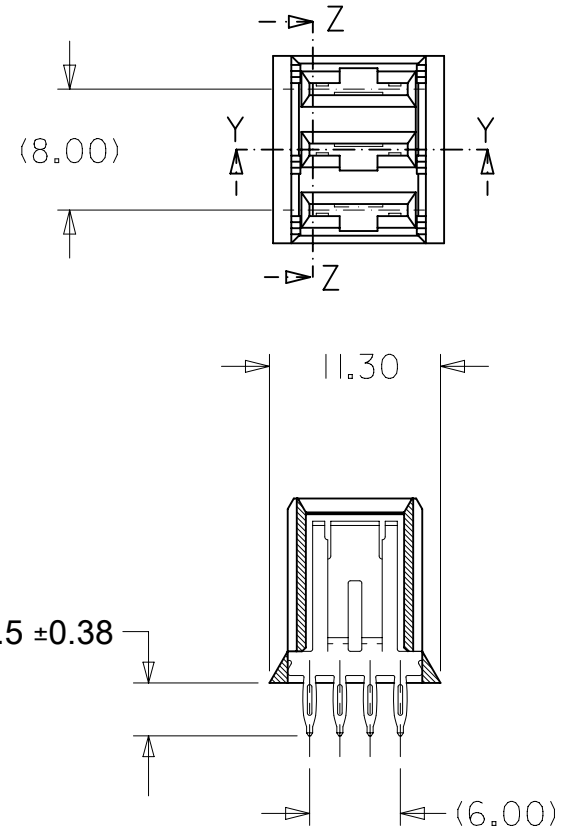


ASSEMBLY NUMBER	FINISH
73656-0000	SEE NOTE 2.
73656-0001	SEE NOTE 3.

DATE CODE AND PART NUMBER ON THIS SURFACE OR SURFACE OPPOSITE.



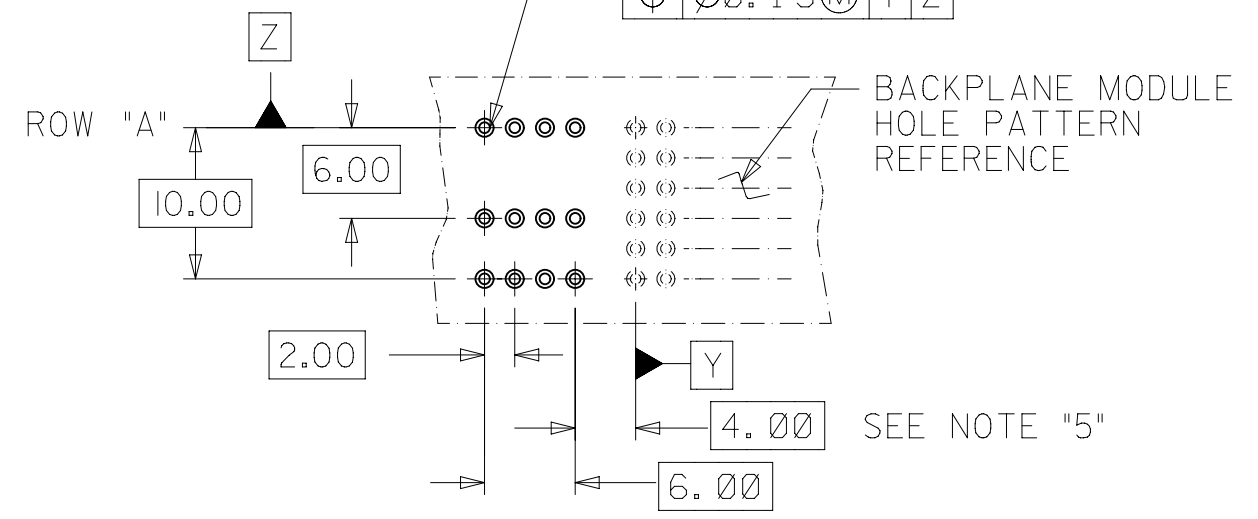
SECTION: Z-Z
ROTATED 90° CW



SECTION: Y-Y

SEE NOTE 8.

Ø 0.838 DRILLED HOLE
Ø 0.80/0.65 PLATED THRU HOLE
Ø 1.20 COPPER PAD
⊕ Ø0.15 (M) Y Z



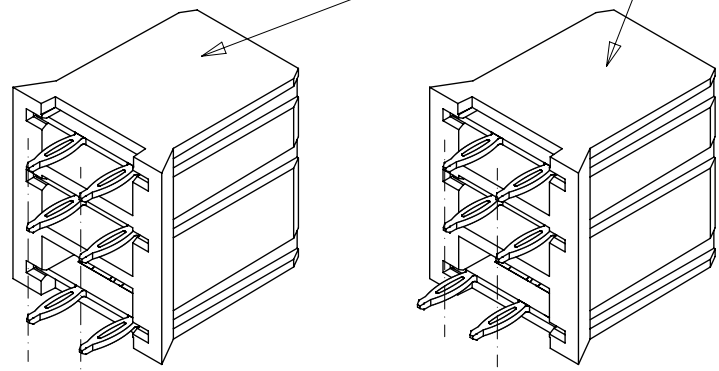
PCB LAYOUT: COMPONENT SIDE
RECOMMENDED PCB THICKNESS: 2.50 MIN

NOTES:

1. MATERIALS: HOUSING - LIQUID CRYSTAL POLYMER (LCP), GLASS-FILLED, UL94V-0, COLOR: BLACK
TERMINAL - COPPER ALLOY
2. FINISH: SELECTIVE GOLD (Au) IN CONTACT AREA, 0.76 micrometer MINIMUM THICKNESS: NICKEL (Ni) AND GOLD FLASH OVERALL
3. FINISH: SELECTIVE GOLD (Au) IN CONTACT AREA, 0.76 micrometer MINIMUM THICKNESS: MATTE TIN (Sn) OVER NICKEL (Ni)
IN COMPLIANT AREA: NICKEL (Ni) OVERALL ON REMAINING WITH SELECTIVE GOLD (Au) FLASH.
4. THIS DIMENSION MUST BE A MULTIPLE OF 4.00 mm.
5. DIMENSIONS ARE IN MILLIMETERS.
6. THIS PART CONFORMS TO MOLEX PRODUCT SPECIFICATION PS-73670-9999.
7. PACKAGE ASSEMBLIES PER PK-70873-0819.
8. HOLE SIZE SPECIFICATION IS FOR TIN/LEAD PLATED HOLES ONLY.
FOR OTHER PLATING TYPES SEE MOLEX APPLICATION AS-73670-9996.
9. THIS PART CONFORMS TO MOLEX COSMETIC SPECIFICATION PS-45499-002 CLASS B.

THIS DRAWING CONTAINS INFORMATION THAT IS PROPRIETARY TO MOLEX ELECTRONIC TECHNOLOGIES, LLC AND SHOULD NOT BE USED WITHOUT WRITTEN PERMISSION									
DIMENSION UNITS	SCALE	CURRENT REV DESC: REMOVED OBSOLETE PART NUMBERS AS PER PCN#511698.							
mm	2:1	<p>molex</p> <p>SALES ASSY, HDM BACKPLANE POWER MODULE (PRESSFIT)</p> <p>PRODUCT CUSTOMER DRAWING</p> <p>DOCUMENT NUMBER: SDA-73656-X00X DOC TYPE: PSD DOC PART: 001 REVISION: K</p> <p>MATERIAL NUMBER: SEE TABLES CUSTOMER: GENERAL MARKET SHEET NUMBER: 1 OF 3</p>							
GENERAL TOLERANCES (UNLESS SPECIFIED)									
ANGULAR TOL	± 0.5°								
4 PLACES	±								
3 PLACES	±								
2 PLACES	± 0.13								
1 PLACE	± 0.25								
0 PLACES	±								
DRAFT WHERE APPLICABLE MUST REMAIN WITHIN DIMENSIONS		THIRD ANGLE PROJECTION	DRAWING	SERIES	MATERIAL NUMBER	CUSTOMER	SHEET NUMBER		
			B-SIZE	73656	SEE TABLES	GENERAL MARKET	1 OF 3		

DATE CODE AND
PART NUMBER ON
THIS SURFACE OR
SURFACE OPPOSITE.

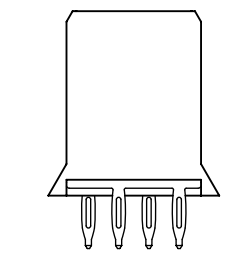
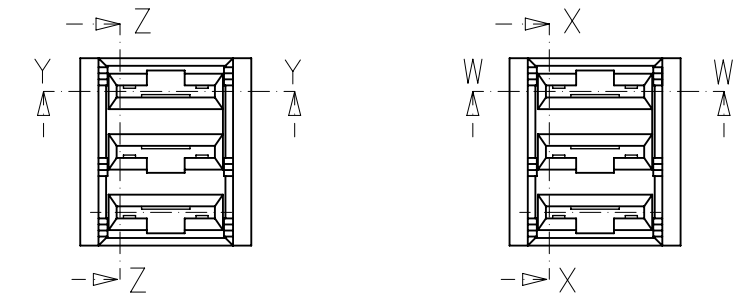


73656-100*

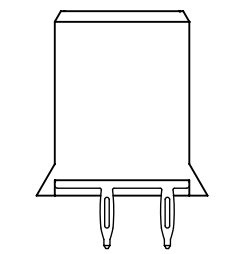
73656-200*

MIDPLANE OPTION

ASSEMBLY NUMBER	FINISH (SEE SHT 1)
73656-1000	SEE NOTE 2. (GOLD TAILS)

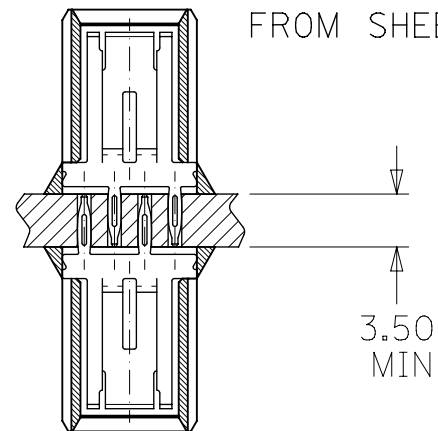


73656-200*

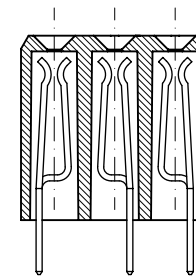


73656-100*

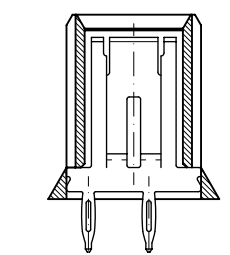
USE BACKPLANE MODULE
HOLE REFERENCE PATTERN
FROM SHEET 1



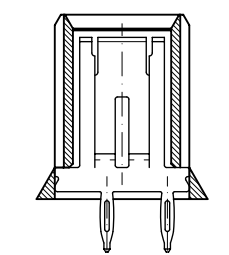
BACK-TO-BACK
MOUNTING APPLICATION



SECTION X-X
SECTION Z-Z
ROTATED 90° CW



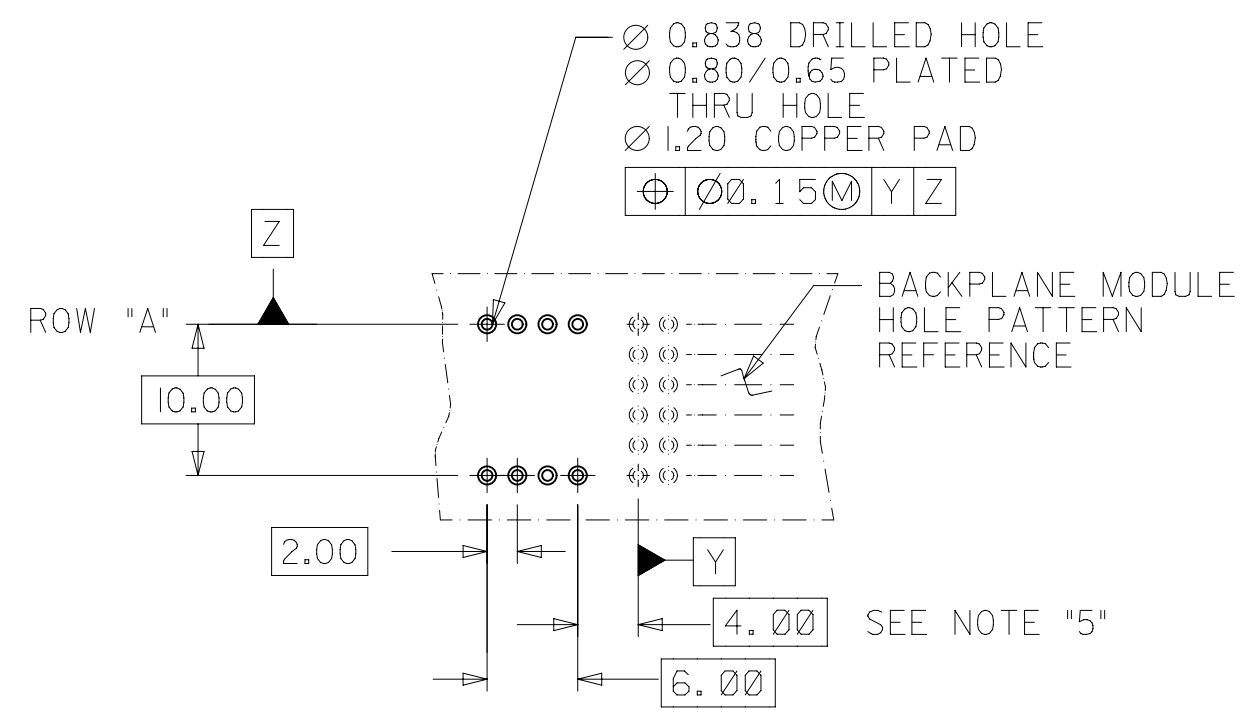
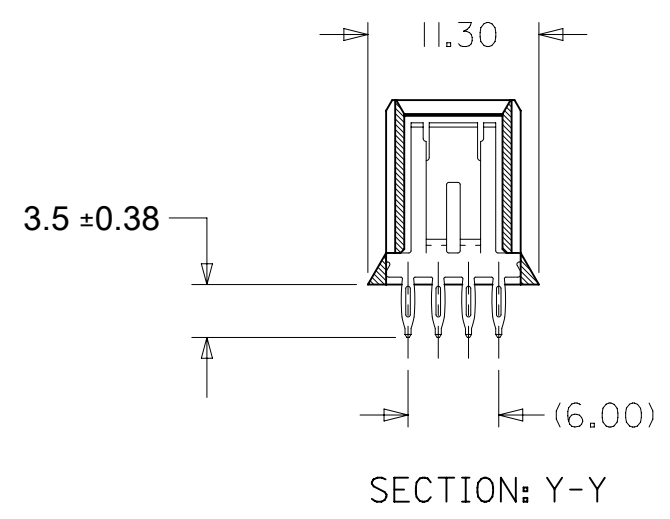
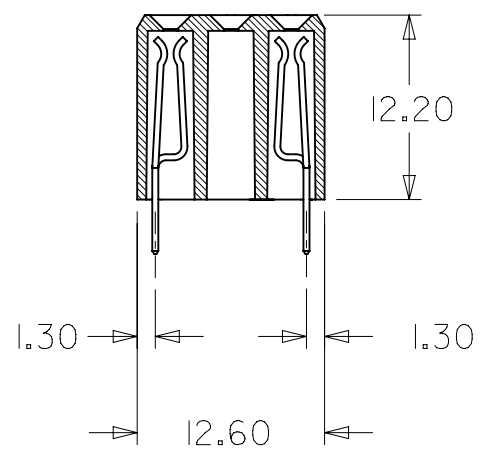
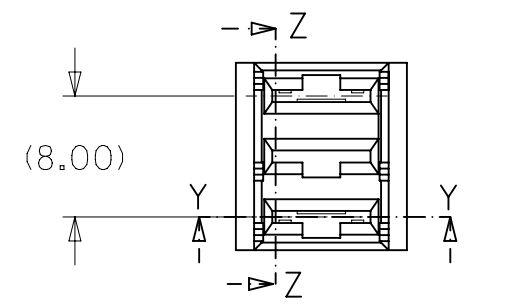
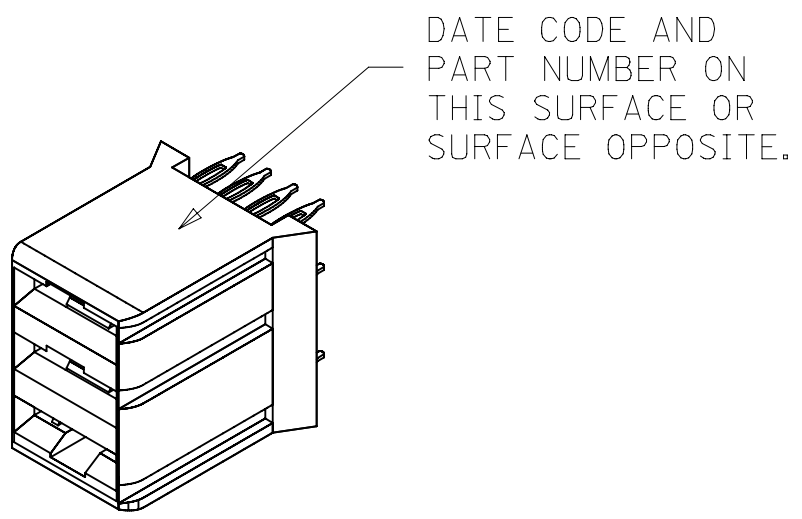
(4.00)
SECTION: Y-Y



(4.00)
SECTION: W-W

THIS DRAWING CONTAINS INFORMATION THAT IS PROPRIETARY TO MOLEX ELECTRONIC TECHNOLOGIES, LLC AND SHOULD NOT BE USED WITHOUT WRITTEN PERMISSION											
DIMENSION UNITS mm		SCALE 2:1		CURRENT REV DESC: REMOVED OBSOLETE PART NUMBERS AS PER PCN#511698.				molex		SALES ASSY , HDM BACKPLANE POWER MODULE (PRESSFIT)	
GENERAL TOLERANCES (UNLESS SPECIFIED)		ANGULAR TOL ± 0.5°		EC NO: 742551 DRWN: SANTHN 2023/03/30 CHKD: GGA 2023/05/12 APPR: GGA 2023/05/12							
4 PLACES ±		3 PLACES ±		2 PLACES ± 0.13		1 PLACE ± 0.25		0 PLACES ±		PRODUCT CUSTOMER DRAWING	
DRAFT WHERE APPLICABLE MUST REMAIN WITHIN DIMENSIONS		THIRD ANGLE PROJECTION		DRAWING B-SIZE		SERIES 73656		MATERIAL NUMBER SEE TABLES		CUSTOMER GENERAL MARKET	
DOCUMENT STATUS P1		RELEASE DATE 2023/05/12 06:17:10		INITIAL REVISION: DRWN: TELO 1998/05/21 APPR: CBIXLER 2000/06/13		DOCUMENT NUMBER SDA-73656-X00X		DOC TYPE PSD		DOC PART 001	
						REVISION K		SHEET NUMBER 2 OF 3			

ASSEMBLY NUMBER	FINISH
73656-0180	SEE NOTE 2.
73656-0181	SEE NOTE 3.



THIS DRAWING CONTAINS INFORMATION THAT IS PROPRIETARY TO MOLEX ELECTRONIC TECHNOLOGIES, LLC AND SHOULD NOT BE USED WITHOUT WRITTEN PERMISSION									
DIMENSION UNITS	SCALE	CURRENT REV DESC: REMOVED OBSOLETE PART NUMBERS AS PER PCN#511698.							
mm	2:1	molex SALES ASSY , HDM BACKPLANE POWER MODULE (PRESSFIT) PRODUCT CUSTOMER DRAWING							
GENERAL TOLERANCES (UNLESS SPECIFIED)									
ANGULAR TOL	± 0.5°								
4 PLACES	±								
3 PLACES	±								
2 PLACES	± 0.13	EC NO: 742551	2023/03/30	DOCUMENT NUMBER SDA-73656-X00X					
1 PLACE	± 0.25	DRWN: SANTHN	2023/05/12						
0 PLACES	±	CHKD: GGA	2023/05/12						
INITIAL REVISION:		APPR: GGA	2023/05/12						
DRAFT WHERE APPLICABLE MUST REMAIN WITHIN DIMENSIONS		DRWN: TELO	1998/05/21						
THIRD ANGLE PROJECTION		APPR: CBIXLER	2000/06/13	DOC TYPE	DOC PART	REVISION	SHEET NUMBER 3 OF 3		
DRAWING		SERIES	MATERIAL NUMBER	CUSTOMER					
B-SIZE		73656	SEE TABLES	GENERAL MARKET					
THIRD ANGLE PROJECTION									
DRAWING									

DOCUMENT STATUS	P1	RELEASE DATE	2023/05/12	06:17:10
-----------------	----	--------------	------------	----------