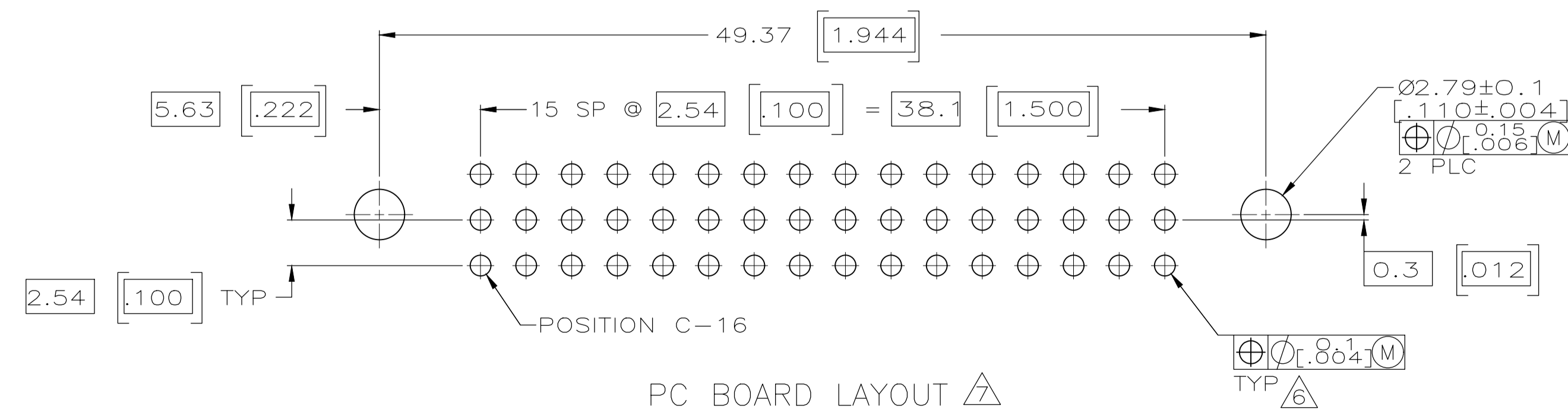
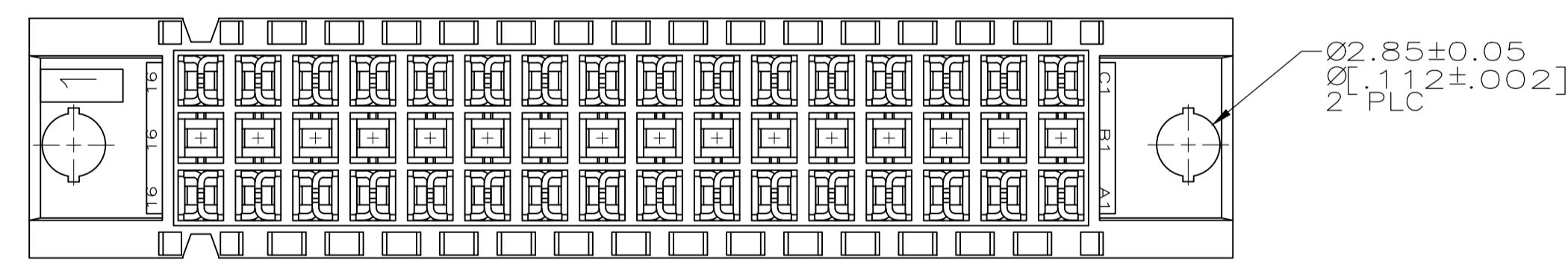
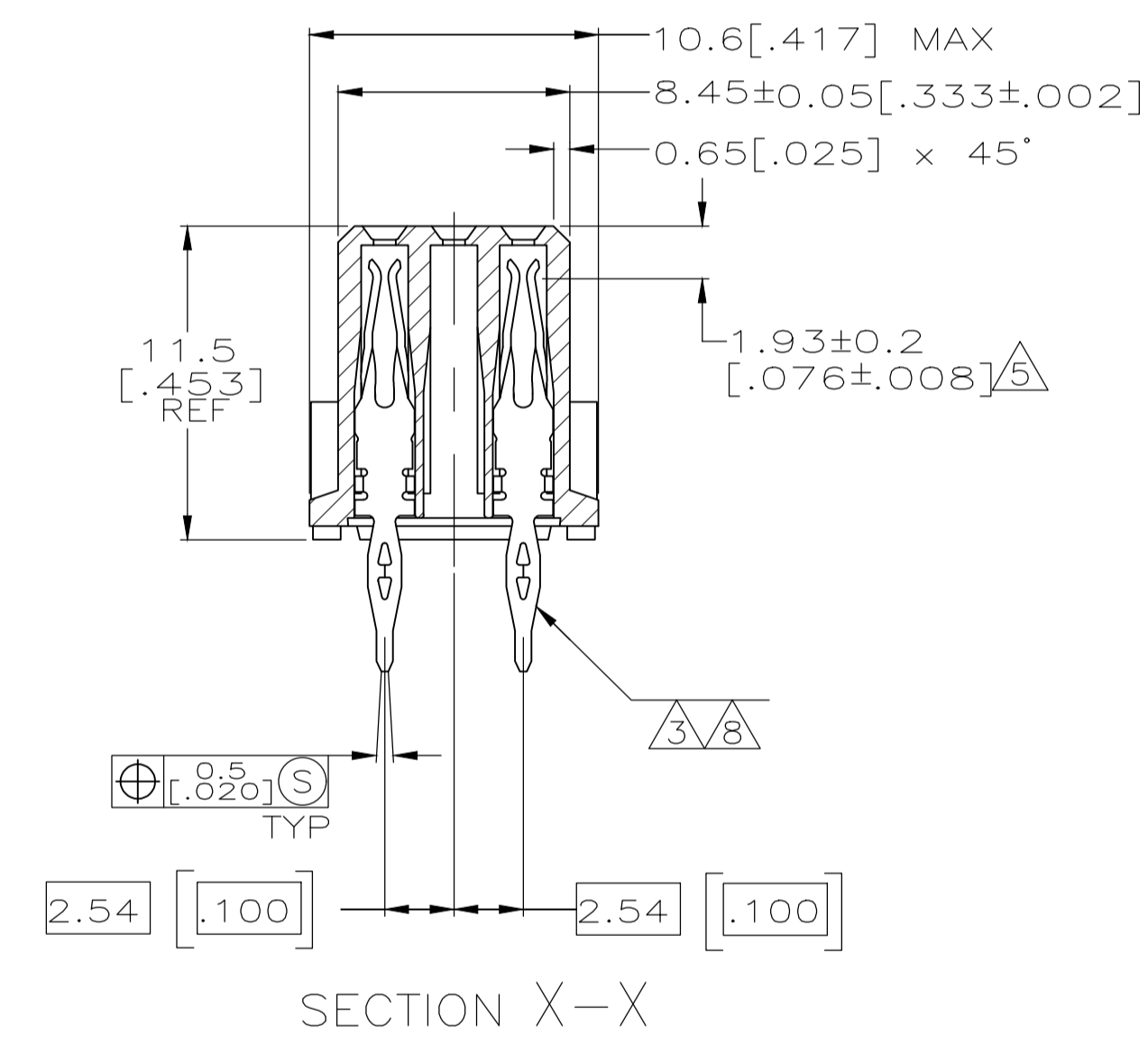
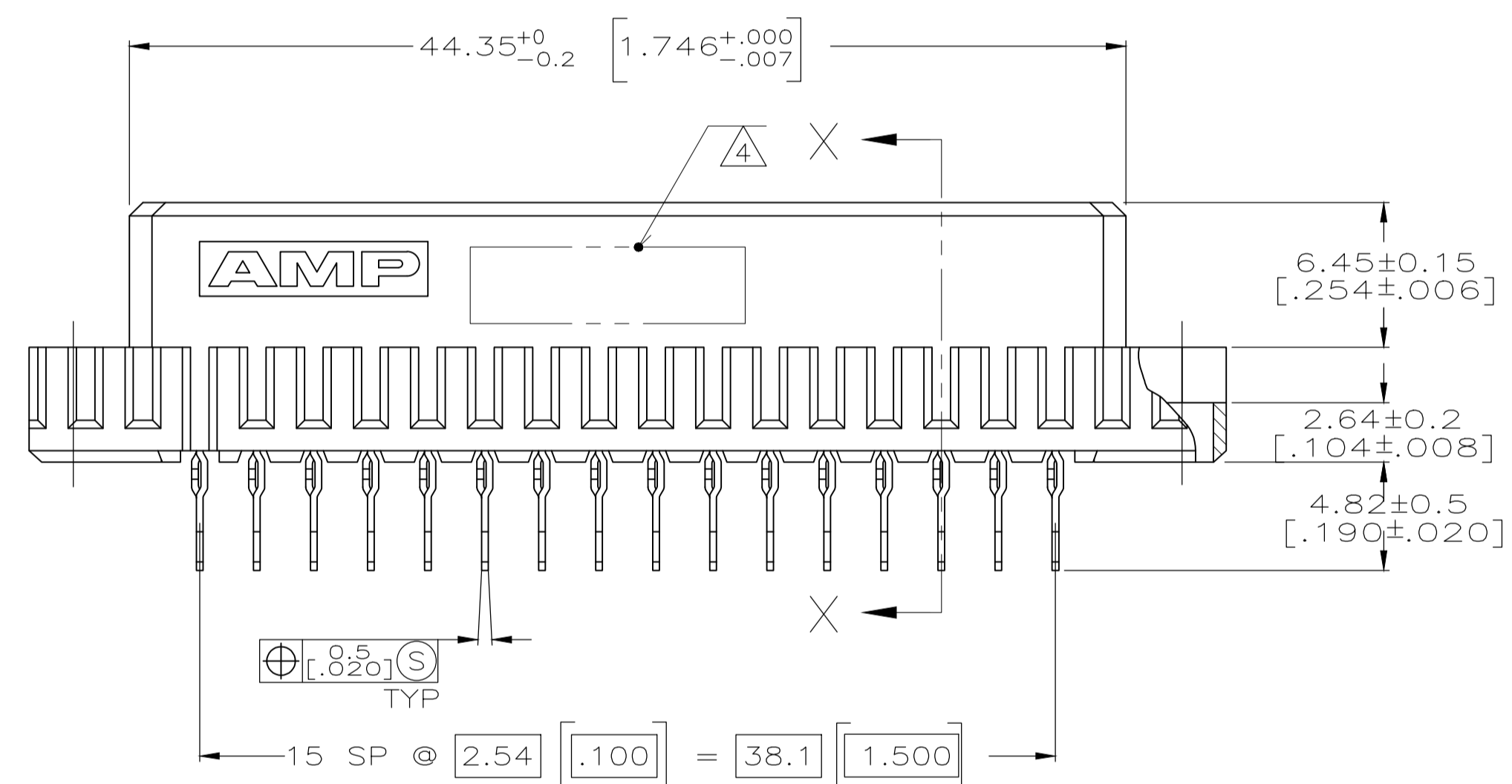
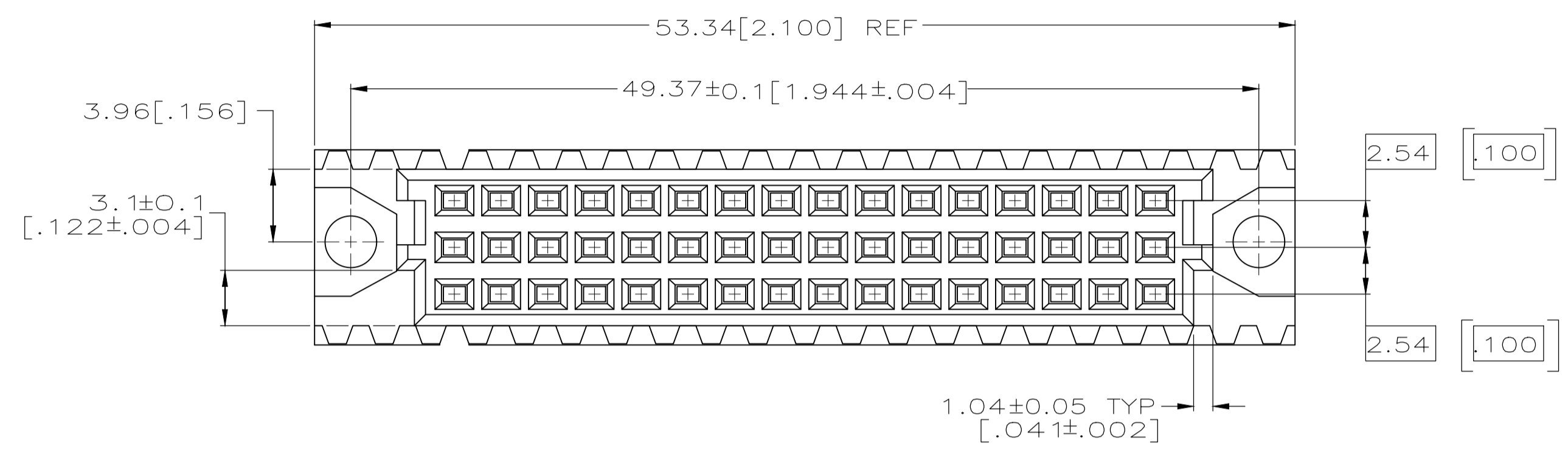


REVISIONS				
P	LTR	DESCRIPTION	DATE	APPV
M		REVISED PER ECO-20-002189	16MAR2020	SY HL

- △ HOUSING MATERIAL: GLASS-FILLED POLYESTER. COLOR: GRAY.
- △ CONTACT MATERIAL: PHOSPHOR BRONZE.
- △ CONTACT FINISH: DIN 41612 CLASS 2 IN CONTACT AREA.  
0.00127[.000050] NICKEL UNDERPLATE ALL OVER. TIN-LEAD ON TAILS.
- △ PART NUMBER, DATE CODE IDENTIFICATION, CSA LOGO IN THIS APPROXIMATE AREA.
- △ POINT OF MEASUREMENT FOR GOLD.
- △ ACTION PIN POSTS REQUIRE 1.57[.062] MIN THICK PC BOARD.  
RECOMMENDED PC BOARD HOLES ARE  $\varnothing 1.151 \pm 0.02 [0.453 \pm 0.01]$  DRILLED HOLE  
WITH 0.02-0.07[.001-.003] COPPER AND 0.008[.0003] MIN TIN-LEAD PLATING.  
FINISHED HOLE AFTER PLATING,  $\varnothing 0.94-1.09 [0.37-.043]$ .
- △ CENTER ROW OF PLATED THRU HOLES NOT REQUIRED FOR THIS  
CONNECTOR LOAD PATTERN.
- △ CONTACT FINISH: DIN 41612 CLASS 3 IN CONTACT AREA.  
0.00127[.000050] NICKEL UNDERPLATE ALL OVER. TIN-LEAD ON TAILS.



NOTES	POSITIONS LOADED	C	B	A	NO. OF LOADED POSITIONS	ASSY PART NUMBER	
OBSOLETE	△ 8	1 THRU 16	X	-	X	32	535068-9
OBSOLETE	△ 3	1 THRU 16	X	-	X	32	535068-5
	△ 3	1 THRU 16	X	-	X	32	535068-4

THIS DRAWING IS A CONTROLLED DOCUMENT.

DIMENSIONS: mm [INCHES]	TOLERANCES UNLESS OTHERWISE SPECIFIED:	DIN L. BRINER 5/9/89	APVD R.L. BRANDT 7/13/94	NAME
0 PLC ± -	1 PLC ± -	2 PLC ± -	3 PLC ± 0.13[.005]	4 PLC ± -
ANGLES ± -				
MATERIAL	FINISH	WEIGHT 0.000000	SIZE A1	CAGE CODE 00779
		DRAWING NO. 535068	RESTRICTED TO	
		CUSTOMER DRAWING	SCALE 4:1	SHEET 1 OF 1

ASSEMBLY, RECEPTACLE, EUROCARD, TOOLLESS PRESSFIT, 48 POSITION