



Mallory Sonalert Products, Inc.

Part #: **MSS5MMX**

Sales Outline Drawing

Revision: **H**

Specifications:

cUL Recognized to IEC60601-1-8 AMD1

| | | | |
|------------------------|---|--|--|
| Sound Level Category: | Loud | Loud | Loud |
| Mode of Operation: | Low Priority Alarm 2 beeps repeating every 20 sec | Medium Priority Alarm 3 beeps repeating every 7.5 sec | High Priority Alarm 10 beeps repeating every 2.5 seconds |
| Loudness @ 10cm: | 85 to 95 dB(A) Typ. | 85 to 95 dB(A) Typ. | 85 to 95 dB(A) Typ. |
| Frequency: | 150 to 4000 Hz | | |
| Connection: | Connect " + " to " + " & " - " to " - " of Power Supply | Connect " + " to " + " & " - " & Medium to " - " of Power Supply | Connect " + " to " + " & " - " & High to " - " of Power Supply |
| Voltage Rating: | 5 ± 0.5 VDC | | |
| Average Current Draw: | <45mA Typ. | <70mA Typ. | <150mA Typ. |
| Ipk Current*: | 400mA | | |
| Housing Material: | Valox (UL94V-0), Octagonal, Black | | |
| Storage Temperature: | -30° to +60° C | | |
| Operating Temperature: | -30° to +55° C | | |
| Weight (Typical): | 6.0g | | |
| Options: | Please contact factory. | | |

Dimensions: Inches [mm]

cUL Recognized

ROHS Compliant

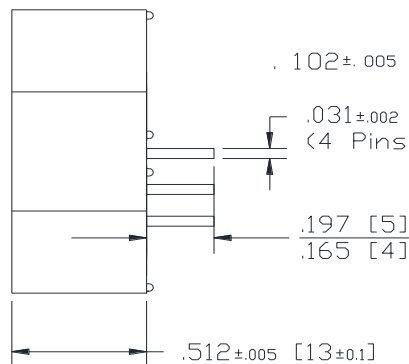
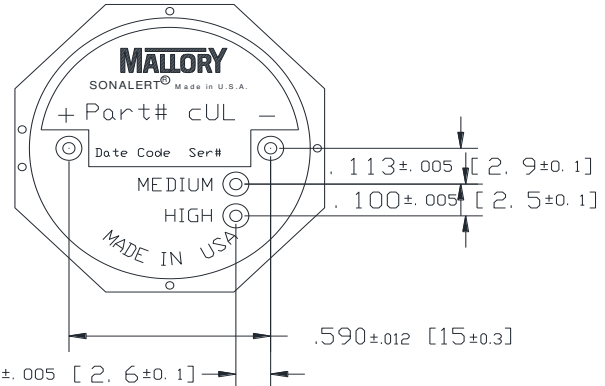
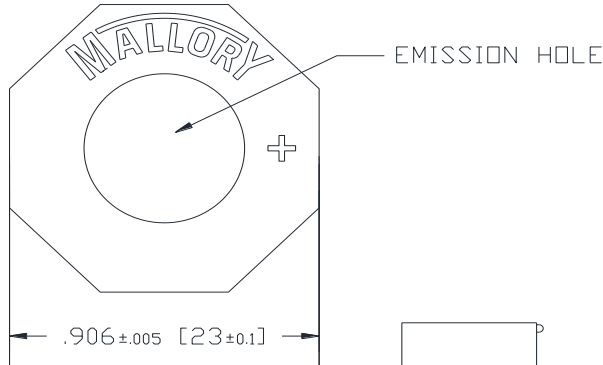
PATENT NUMBER: 7880593

Before Code Date: 1546

Not cUL Recoanized

After Code Date: 1547

cUL Recoanized



NOTE A:
TERMINALS - .031" DIA. NICKEL/TIN COATED BRASS.
NOTE B:
MOUNTING- INSERT INTO PRINTED CIRCUIT BOARD AND HAND OR MACHINE SOLDER.
UNITS ARE SUITABLE FOR WAVE SOLDERING. BOARDS ARE NOT SUITABLE FOR WASH.
RECOMMENDED MAXIMUM TEMPERATURE AND TIME DURATION FOR WAVE SOLDERING IS +270°C AND 3 SECONDS RESPECTIVELY.

*Ipk = Instantaneous Peak