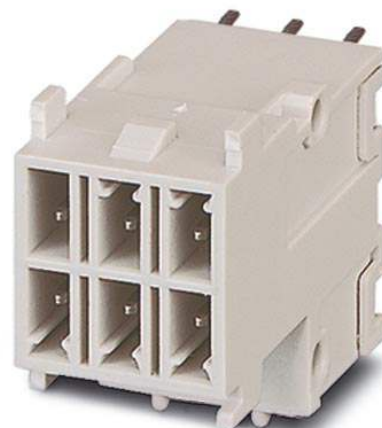



VC-AMLV 6

Order No.: 1884872



<http://eshop.phoenixcontact.de/phoenix/treeViewClick.do?UID=1884872>

Contact insert module, for panel mounting frames, with 180° PCB connection, 6-pos., 250 V / 10 A

Commercial data	
GTIN (EAN)	 4 017918 170776
sales group	D232
Pack	50 pcs.
Customs tariff	85369010
Catalog page information	Page 355 (PC-2009)

Product notes

WEEE/RoHS-compliant since:
12/15/2005



<http://www.download.phoenixcontact.com>
Please note that the data given here has been taken from the online catalog. For comprehensive information and data, please refer to the user documentation. The General Terms and Conditions of Use apply to Internet downloads.

Technical data	
General data	
Note	Plug connectors may only be connected/disconnected when under no load.
Connection method	Solder connection
	Solder connection

Ambient temperature (operation)	-40 °C ... 100 °C
Pollution degree	3
Surge voltage category	III
Number of positions	6
Insertion/withdrawal cycles	≥ 100
Pin dimensions	1 x 1 mm

Material data

Inflammability class acc. to UL 94	V0
Contact material	CuZn
Contact surface material	Tin-plated
Contact carrier material	PA

Electrical characteristics

Rated voltage (III/3)	250 V
Rated surge voltage	4 kV
	4 kV
Rated current	10 A

Certificates / Approvals

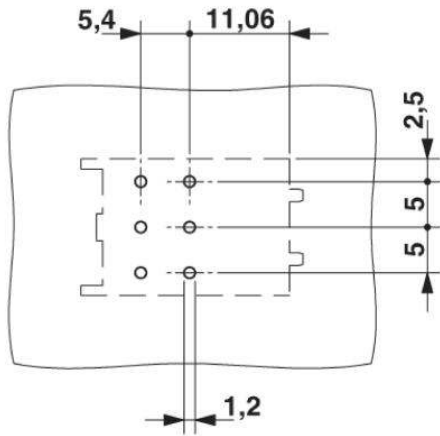
Certification CUL, GOST, UL

Accessories

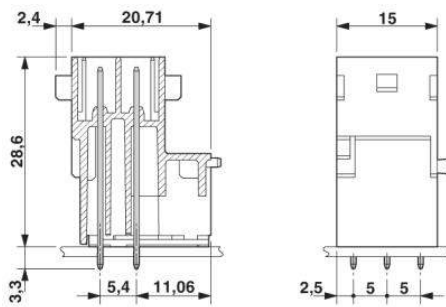
Item	Designation	Description
Plug/Adapter		
1734634	CP-MSTB	Keying profile, is inserted into the slot on the plug or inverted header, red insulating material

Diagrams/Drawings

Drilling plan/solder pad geometry



Dimensioned drawing



Address

PHOENIX CONTACT Deutschland GmbH
Flachmarktstr. 8
32825 Blomberg, Germany
Phone +49 5235 3 12000
Fax +49 5235 3 41200
<http://www.phoenixcontact.de>



© 2011 Phoenix Contact
Technical modifications reserved;