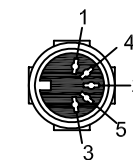
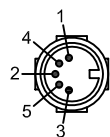


unit: mm

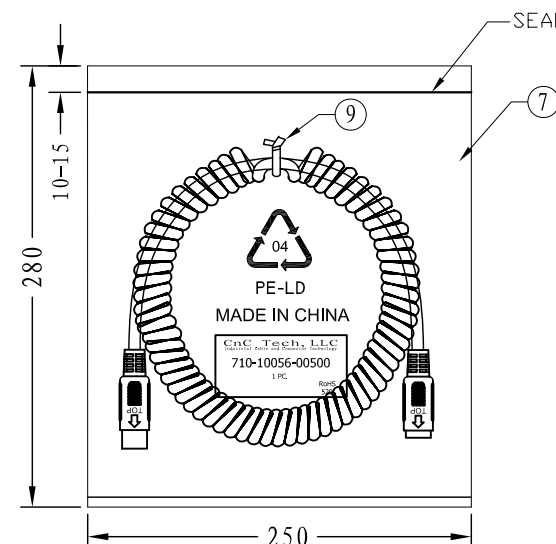


P1

P2

PIN ASSIGNMENT		
P1		P2
1	BLACK	1
2	BROWN	2
3	RED	3
4	ORANGE	4
5	YELLOW	5
SHELL	DRAIN	SHELL

Electrical test:
 1. 100% short, open, miswire test
 2. Conduct resistance: 5 Ohm(max)
 3. Insulation resistance: 5Mohm(min)
 4. dielectric test: DC 300V



No.	NAME	Q'TY	SPECIFICATION
⑨	TIE	1	BLACK L=80mm
⑧	PE BAG	1/5	CLEAR SIZE: 360*380*0.05mm PRINT BLACK"MADE IN CHINA"+*5PCS"
⑦	PE BAG	1	CLEAR SIZE: 250*280*0.05mm PRINT BLACK"MADE IN CHINA"
⑥	TUBE	2	HEAT SHRINK TUBE BLACK OD1.5*8MM
⑤	IN JACKET	5.2g	CLEAR LD-PE
④	OUT JACKET	8.1g	PVC 40P COLOR:BEIGE
③	CONN	1	DIN 5PIN FEMALE SOLDER TYPE PIN-NI INSULATOR COLOR:BLACK
②	CONN	1	DIN 5PIN MALE SOLDER TYPE PIN-NI INSULATOR COLOR:BLACK
①	CABLE	1	NOUL 28AWG*5C+D+AL/MY JACKET:BEIGE(IV-29) OD5.4mm L=5000±100MM

CnC Tech, LLC Industrial Cable and Connector Technology			
DRAWN BY	H S F	DRAWING NO.	
CHECKED BY		CUSTOMER	C N C
APPROVAL BY		ITEM NO.	710-10056-00500
DECIDE BY		DATE	2014-03-11
VERSIONS/EDITEON	A/0	PROJECTION	