

CONNECT AND PROTECT

EuropacPRO

09/2021

  
nvent

**SCHROFF**

# Subracks – EuropacPRO

**OVERVIEW**

**MAIN KATALOG**

Cabinets ..... 1

Wall mounted cases ..... 2

Accessories for cabinets and wall mounted cases .. 3

Climate control .. 4

Electronics cases ..... 5

Subracks/ 19" chassis ..... 6

Front panels, plug-in units .... 7

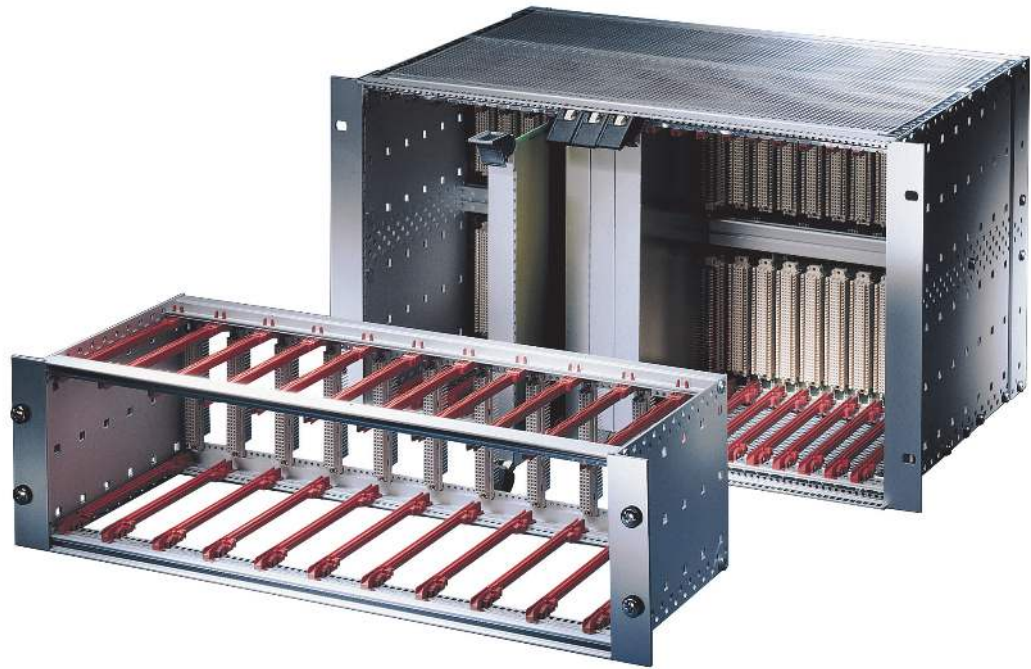
Systems ..... 8

Power supply units ..... 9

Backplanes .... 10

Connectors, front panel component system ..... 11

Appendix ..... 12



06197001



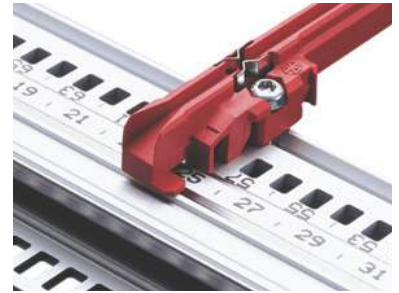
06112014

Different horizontal rails for various applications



04602002

The IEEE handles and shielded front panels are designed for the construction of CompactPCI and VME64x subrack systems



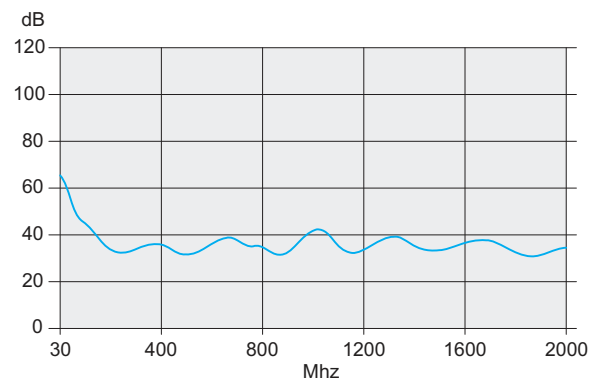
06

Sequential numbering on horizontal rails (> 28 HP) and markings on the guide rails provide quick optical positioning aids. ESD clips can be used at front or rear, to protect electronics from electrostatic discharge

## STANDARDS/CERTIFICATIONS

- Inner and outer dimensions meet: IEC 60297-3-100, -101, -102, -103, -104, -105 IEEE 1101.1 and IEEE 1101.10/11
- Type of protection IP 20 to IEC 60529
- EMC testing to IEC 61587-3
- Shock and vibration test reports: German "Bahn" standards BN 411002, BN 411003; NF F 60002, NF F 67012 IEC 61587-2, EN 50155, part 12.2.11
- Nuclear plants KTA 1401

## EMC CURVE



06108081

# Subracks – EuropacPRO

## OVERVIEW

### 19" SUBRACKS

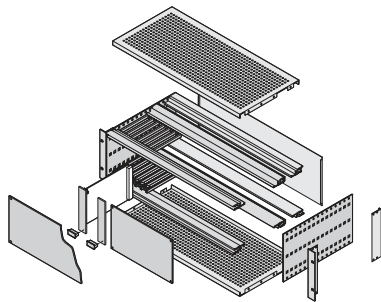
- Kits or individual configuration
- One product and accessories platform for every kind of customer requirement and application
- Suitable for CompactPCI and VME64x insertion and extractor handles
- EMC shielding can easily be retrofitted if needed
- Shock and vibration resistant up to 5 g
- 3D PDF or CAD 3D data available for free download



06102008

#### KITS

- All required parts available under one order number, some pre-fitted
- Most popular dimensions and versions available from stock
- For installed loads up to 7.5 kg, up to 11 kg and up to 15 kg
- As unshielded or shielded version
- Supplied as space-saving flat-pack



06105058

#### SERVICEPLUS INDIVIDUAL CONFIGURATION

- Single parts may individually be configured, respectively assembled on request (from quantity 1)
- Very wide range of variants in height, width and depth
- Guide rails for different applications
- EMC shielding material to improve EMC performance
- Interior assembly options with mounting plate or combined mounting (3 + 6 U segments)
- Other accessories and assembly kits

#### SERVICEPLUS

- e.g. individual configuration and assembly
- e.g. modification (cut-outs)
- e.g. downloads (CAD drawings, user manuals, test reports)
- e.g. custom solutions

Overview . . . . . 6.6

Introduction . . . . . 6.4

#### Kits

Light . . . . . 6.8  
 Flexible . . . . . 6.9  
 Heavy . . . . . 6.14  
 CompactPCI . . . . . 6.16

#### ServicePLUS configuration

Side panels . . . . . 6.21  
 Horizontal rails, threaded inserts, perforated strips . . . . . 6.29  
 Guide rails . . . . . 6.37  
 Cover plates . . . . . 6.44  
 EMC shielding . . . . . 6.54  
 Interior assemblies . . . . . 6.59  
 Assembly kits . . . . . 6.65

Application examples . . . . . 6.71

Subracks for mobile railway applications . . . . . 6.70

europacPRO for industrial applications . . . . . 6.86

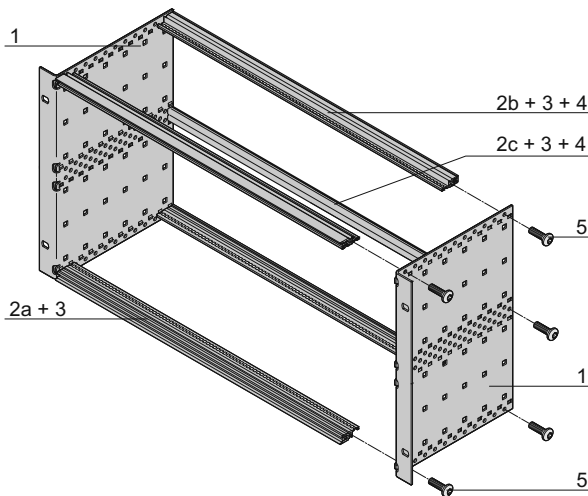
europacPRO for rugged applications . . . . . 6.92

# Subracks – EuropacPRO

## KIT, "LIGHT", UNSHIELDED, FOR BACKPLANE MOUNTING

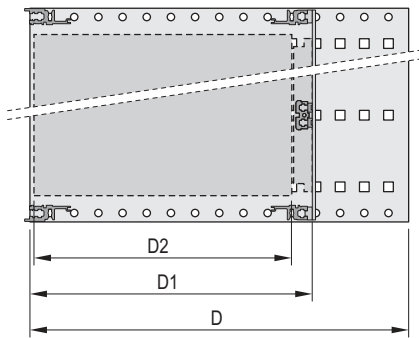


06111002



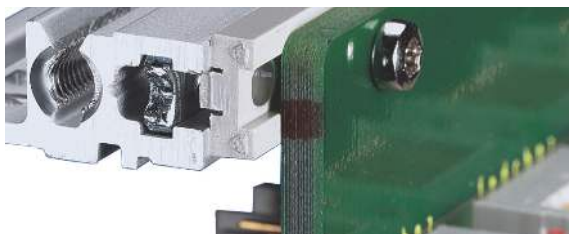
06111056

6 U



06108051

D = overall depth, D1 = insertion depth,  
D2 = board depth = D1 - 15 mm



04400001

Rear horizontal rail for backplane mounting with insulation strip

- Subrack with side panel type L ("light") with firmly fixed 19" brackets
- Rear horizontal rails for backplane mounting with insulation strip
- Installed load up to 7.5 kg
- Cost-optimised

### DELIVERY COMPRISES (Kit)

Item	Qty		Description
	3 U	6 U	
1	2	2	Side panel type L, Al, 2 mm, passivated, with built-in 19" support bracket
2a	2	2	Front horizontal rail (L-KD)
2b	2	2	Rear horizontal rail (L-ST)
2c	-	1	Rear horizontal rail centre (ST)
3	4	6	Threaded insert, front and rear (pre-fitted)
4	2	4	Insulation strip (pre-fitted)
5	1	1	Fixing material kit, user manual

### ORDER INFORMATION

Height U	Width HP	Depth D mm	Depth D1 mm	Part no.
3	84	175	175	<b>24564-131</b>
3	84	235	175/235	<b>24564-132</b>
3	84	295	175/235/295	<b>24564-133</b>
6	84	175	175	<b>24564-431</b>
6	84	235	175/235	<b>24564-432</b>
6	84	295	175/235/295	<b>24564-433</b>

### Accessories

19" assembly kit (screw, washer, nut) (8 x screws, 8 x plastic washers, 8 x cage nuts)	<b>21100-435</b>
Trims for side panels Type L VPE 2 Stück Shielding (front panel - side panel), PU 2 pieces	<b>34561-197</b>
Trims for side panels Type L VPE 2 Stück Shielding (front panel - side panel), PU 2 pieces	<b>34561-497</b>
Collar screw with slot M6 x 16, St, nickel-plated, PU 100 pieces	<b>21100-565</b>
Sleeves PPO, black, to fix top cover to side panel, PU 100 pieces	<b>21100-566</b>

### Guide rails (standard), ESD clips

Depth D2 mm	Qty/PU piece	Part no.
160	10	<b>24568-361</b>
220	10	<b>24568-362</b>
280	10	<b>24568-379</b>
ESD clips for guide rails PU 50 pieces		<b>24560-255</b>

### Cover plates for insertion in horizontal rails (type L)

Depth D2 mm	Width HP	Qty/PU piece	Part no.
160	84	2	<b>24561-051</b>
220	84	2	<b>24561-052</b>

### NOTE

- Subrack is not prepared for shielding

# Subracks – EuropacPRO

## KIT, "FLEXIBLE", UNSHIELDED, FOR CONNECTOR MOUNTING



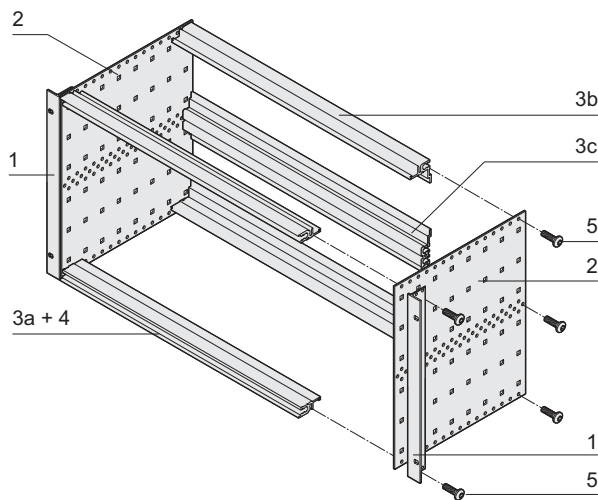
Photo: 3 U subrack

06105001

- Subrack with side panel type F ("flexible"), 19" bracket is depth-adjustable
- Rear horizontal rails for connector mounting (IEC 60603-2 / DIN 41612)
- Installed load up to 11 kg

### DELIVERY COMPRISES (kit)

Item	Qty		Description
	3 U	6 U	
1	2	2	19" support bracket, Al extrusion, for EMC gasket (St, stainless)
2	2	2	Side panel type F, Al, 2 mm
3a	2	2	Front horizontal rail (L-KD)
3b	2	2	Rear horizontal rail (L-MZ) for connector mounting
3c	-	1	Centre horizontal rail (MZ)
4	2	2	Threaded insert to front (pre-fitted)
5	1	1	Fixing material kit, user manual



6 U

06105054

### ORDER INFORMATION

Height U	Width HP	Depth D mm	Depth D1 mm	Part no.
3	84	175	175	<b>24563-191</b>
3	84	235	175/235	<b>24563-192</b>
3	84	295	175/235/295	<b>24563-193</b>
3	84	355	175/235/295/355	<b>24563-194</b>
6	84	175	175	<b>24563-491</b>
6	84	235	175/235	<b>24563-492</b>
6	84	295	175/235/295	<b>24563-493</b>
6	84	355	175/235/295/340	<b>24563-494</b>

### Accessories

19" assembly kit (screw, washer, nut) (8 x screws, 8 x plastic washers, 8 x cage nuts)	<b>21100-435</b>
---	------------------

### Guide rails (standard), ESD clips

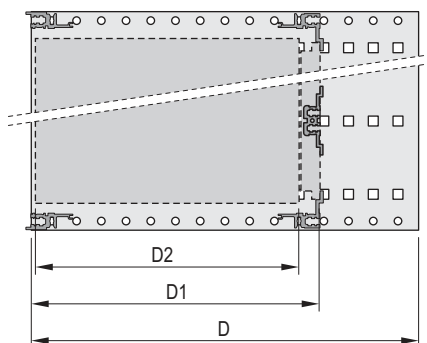
Depth D2 mm	Qty/PU piece	Part no.
160	10	<b>24568-361</b>
220	10	<b>24568-362</b>
280	10	<b>24568-379</b>
340	10	<b>24568-380</b>

ESD clip for guide rails PU 50 pieces

**24560-255**

### Cover plates for insertion in horizontal rails (type L)

Depth D2 mm	Width HP	Qty/PU piece	Part no.
160	84	2	<b>24561-051</b>
220	84	2	<b>24561-052</b>



D = overall depth, D1 = insertion depth,  
D2 = board depth = D1 - 15 mm

06108050



04400003

Horizontal rail to rear for connector mounting

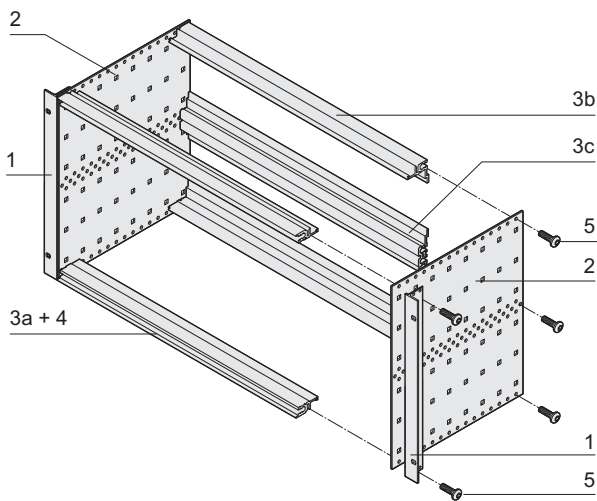
# Subracks – EuropacPRO

## KIT, "FLEXIBLE", UNSHIELDED FOR CONNECTOR, ASSEMBLY ON SLIDE RAIL



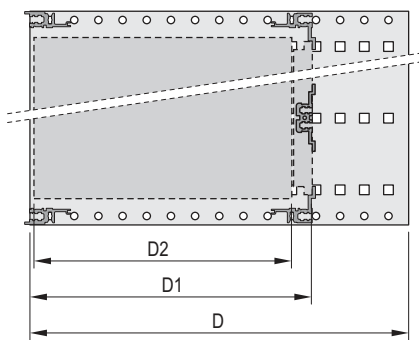
06105001

Photo: 3 U subrack



06105054

6 U



06108050

D=overall depth, D1=insertion depth,  
D2=board depth = D1 - 15 mm



04400003

Rear horizontal rail for connector mounting

- Subrack can be used with slide rails
- Subrack with side panel type F ("flexible"), 19" bracket with notch for slide rail assembly
- Horizontal rails, rear, for connector mounting (IEC 60603-2 / DIN 41612)
- Installed load up to 11 kg

### DELIVERY INCLUDES (Kit, flat pack)

Item	Qty		Description
	3 U	6 U	
1	2	2	19" support bracket, Al extrusion, for EMC sealing (St, stainless)
2	2	2	Side panel type F, Al, 2 mm
3a	2	2	Front horizontal rail (L-KD)
3b	2	2	Rear horizontal rail (L-MZ) for connector mounting
3c	-	1	Center horizontal rail (MZ)
4	2	2	Threaded insert to front (pre-fitted)
5	1	1	Fixing materials kit, user manual

### ORDER INFORMATION

Height U	Width HP	Depth D mm	Depth D1 mm	Part no.
3	84	235	175/235	24553-192
3	84	295	175/235/295	24553-193
3	84	355	175/235/295/355	24553-194
6	84	235	175/235	24553-492
6	84	295	175/235/295	24553-493
6	84	355	175/235/295/355	24553-494

### Accessories

19" fixing material kit (screw, washer, nut)  
(8 x screws, 8 x plastic washers, 8 x cage nuts) **21100-435**

### Guide rails (standard), ESD clips

Depth D2 mm	Qty/PU piece	Part no.
160	10	<b>24568-361</b>
220	10	<b>24568-362</b>
280	10	<b>24568-379</b>

ESD clip for guide rails Spring steel, tin-plated, silver, PU 50 pieces **24560-255**

### Cover plates for insertion into horizontal rail type L

Depth D2 mm	Width HP	Qty/PU piece	Part no.
160	84	2	<b>24561-051</b>
220	84	2	<b>24561-052</b>

### NOTE

- Alternative product for legacy Europac Lab and Europac Rational subrack series

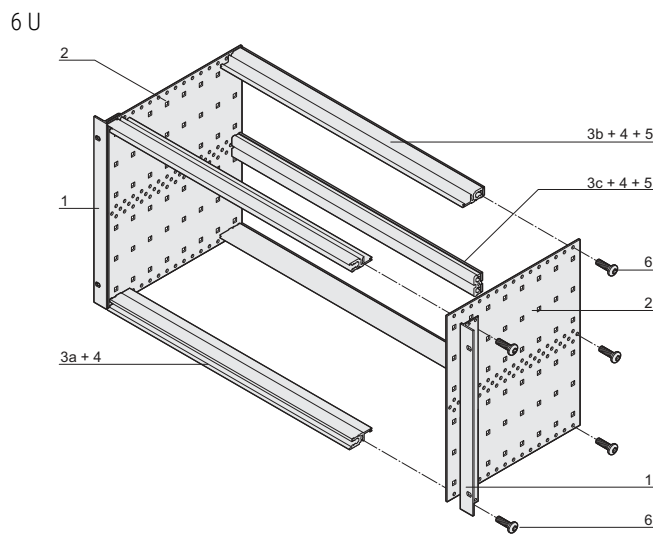
# Subracks – EuropacPRO

## KIT, "FLEXIBLE", UNSHIELDED, FLEXIBLE FOR BACKPLANE, ASSEMBLY ON SLIDE RAIL

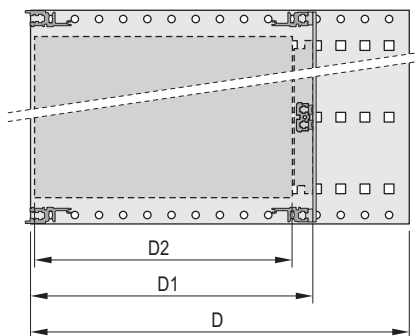


06102007

Photo: 3 U subrack

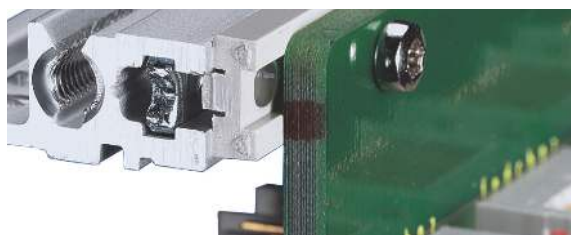


06102081



06108051

D=overall depth, D1=insertion depth,  
D2=board depth = D1 - 15 mm



04400001

Rear horizontal rail for backplane mounting with insulation strip

- Subrack can be used with slide rails
- Subrack with side panel type F ("flexible"), 19" bracket is depth-adjustable
- Rear horizontal rails for backplane mounting with insulation strip
- Installed load up to 11 kg

### DELIVERY INCLUDES (Kit, flat pack)

Item	Qty		Description
	3 U	6 U	
1	2	2	19" support bracket, Al extrusion, for EMC sealing (St, stainless)
2	2	2	Side panel type F, Al, 2 mm
3a	2	2	Front horizontal rail (L-KD)
3b	2	2	Rear horizontal rail (L-ST) for backplane mounting
3c	-	1	Rear center horizontal rail (ST)
4	4	6	Threaded inserts, front and rear (pre-fitted)
5	2	4	Insulation strip (pre-fitted)
6	1	1	Fixing materials kit, user manual

### ORDER INFORMATION

Height U	Width HP	Depth D mm	Depth D1 mm	Part no.
3	84	235	175/235	24553-132
3	84	295	175/235/295	24553-133
3	84	355	175/235/295/355	24553-134
6	84	235	175/235	24553-432
6	84	295	175/235/295	24553-433
6	84	355	175/235/295/355	24553-434

### Accessories

19" fixing material kit (screw, washer, nut)  
(8 x screws, 8 x plastic washers, 8 x cage nuts) **21100-435**

Guide rails (standard), ESD clips		
Depth D2 mm	Qty/PU piece	Part no.
160	10	<b>24568-361</b>
220	10	<b>24568-362</b>
280	10	<b>24568-379</b>
340	10	<b>24568-380</b>

ESD clip for guide rails Spring steel, tin-plated, silver, PU 50 pieces **24560-255**

Cover plates for insertion into horizontal rail type L			
Depth D2 mm	Width HP	Qty/PU piece	Part no.
160	84	2	<b>24561-051</b>
220	84	2	<b>24561-052</b>

### NOTE

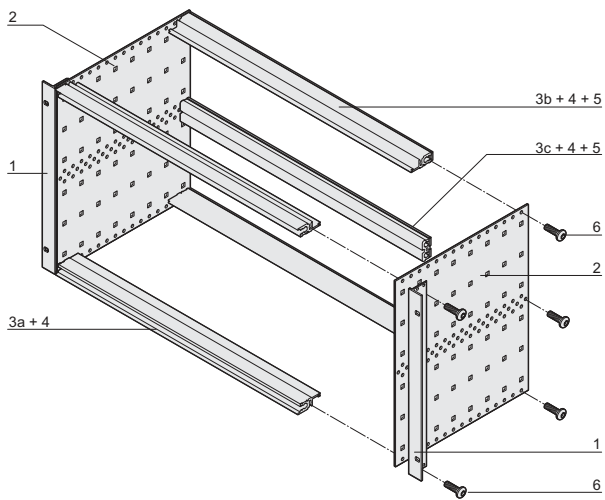
- Alternative product for legacy Europac Lab and Europac Rational subrack series

# Subracks – EuropacPRO

## KIT, "FLEXIBLE", UNSHIELDED, FOR BACKPLANE MOUNTING

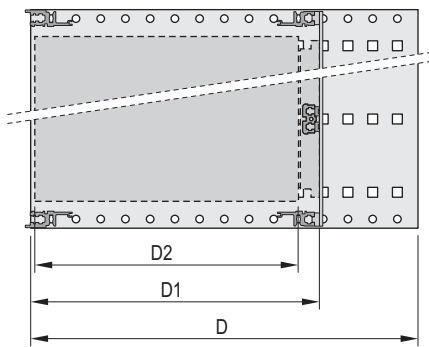


06102007



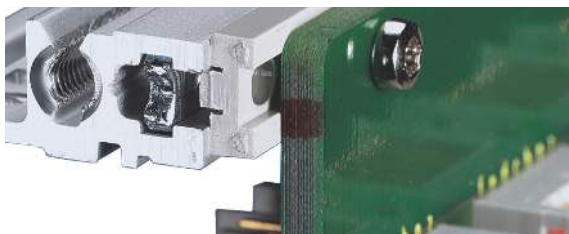
06102081

6 U



06108051

D = overall depth, D1 = insertion depth,  
D2 = board depth = D1 - 15 mm



04400001

Rear horizontal rail for backplane mounting with insulation strip

- Subrack with side panel type F ("flexible"), 19" bracket is depth-adjustable
- Rear horizontal rail for backplane mounting with insulation strip
- Installed load up to 11 kg

### DELIVERY COMPRISES (kit)

Item	Qty		Description
	3 U	6 U	
1	2	2	19" support bracket, Al extrusion, for EMC stainless steel gasket
2	2	2	Side panel type F, Al, 2 mm
3a	2	2	Front horizontal rail (L-KD)
3b	2	2	Rear horizontal rail (L-ST) for backplane mounting
3c	-	1	Rear horizontal rail centre (ST)
4	4	6	Threaded insert, front and rear (pre-fitted)
5	2	4	Insulation strip (pre-fitted)
6	1	1	Fixing material kit, user manual

### ORDER INFORMATION

Height U	Width HP	Depth D mm	Depth D1 mm	Part no.
3	84	175	175	<b>24563-131</b>
3	84	235	175/235	<b>24563-132</b>
3	84	295	175/235/295	<b>24563-133</b>
3	84	355	175/235/295/355	<b>24563-134</b>
3	84	415	175/235/295/355	<b>24563-135</b>
3	84	475	175/235/295/355	<b>24563-136</b>
6	84	175	175	<b>24563-431</b>
6	84	235	175/235	<b>24563-432</b>
6	84	295	175/235/295	<b>24563-433</b>
6	84	355	175/235/295/355	<b>24563-434</b>
6	84	415	175/235/295/355	<b>24563-435</b>
6	84	475	175/235/295/355	<b>24563-436</b>

### Accessories

19" assembly kit (screw, washer, nut)  
(8 x screws, 8 x plastic washers, 8 x cage nuts) **21100-435**

### Guide rails (standard), ESD clips

Depth D2 mm	Qty/PU piece	Part no.
160	10	<b>24568-361</b>
220	10	<b>24568-362</b>
280	10	<b>24568-379</b>
340	10	<b>24568-380</b>

ESD clip for guide rails PU 50 pieces **24560-255**

### Cover plates for insertion in horizontal rails (type L)

Depth D2 mm	Width HP	Qty/PU piece	Part no.
160	84	2	<b>24561-051</b>
220	84	2	<b>24561-052</b>



# Subracks – EuropacPRO

## KIT, "FLEXIBLE", SHIELDED, FOR BACKPLANE MOUNTING

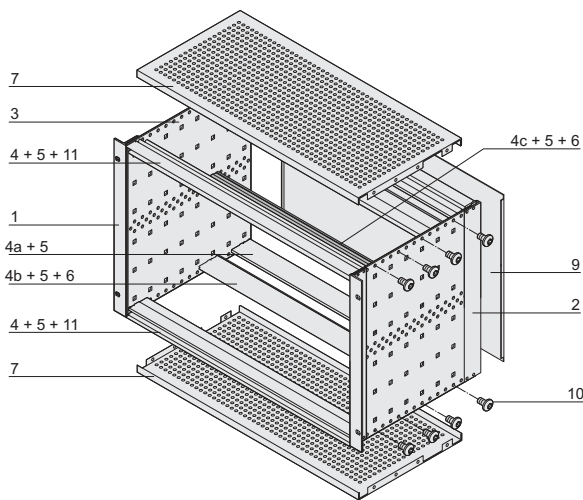


06102008

- Subrack with side panel type F ("flexible"), 19" bracket is depth-adjustable
- Rear horizontal rail for backplane mounting with insulation strip
- Shielding typically 40 dB at 1 GHz, 30 dB at 2 GHz, assuming that the front is closed with shielded front panels
- Installed load up to 11 kg

### DELIVERY COMPRISES ((kit))

Item	Qty		Description
	3 U	6 U	
1	2	2	19" support bracket for <b>EMC textile gasket</b>
2	2	2	Rear corner profile for <b>EMC textile gasket</b>
3	2	2	Side panel type F
4	2	2	Front horizontal rail (L-KD)
4 a	2	2	Rear horizontal rail (L-KD)
4 b	2	2	Rear horizontal rail (L-ST) for backplane mounting with insulation strip
4 c	-	1	Centre horizontal rail (ST)
5	6	8	Threaded insert (pre-fitted)
6	2	4	Insulation strip, fixed
7	2	2	EMC cover plate
8	1	1	EMC gasketing material (pre-fitted)
9	1	1	Rear panel
10	1	1	Fixing material kit
11	2	2	Perforated strip (pre-fitted)
12	1	1	User manual



6 U

06102075

### ORDER INFORMATION

Height U	Width HP	Depth D mm	Depth D1 mm	Part no.
3	84	235	175	<b>24563-142</b>
3	84	295	175/235	<b>24563-143</b>
3	84	355	175/235/295	<b>24563-144</b>
3	84	415	175/235/295	<b>24563-145</b>
3	84	475	175/235/295	<b>24563-146</b>
6	84	235	175	<b>24563-442</b>
6	84	295	175/235	<b>24563-443</b>
6	84	355	175/235/295	<b>24563-444</b>
6	84	415	175/235/295	<b>24563-445</b>
6	84	475	175/235/295	<b>24563-446</b>

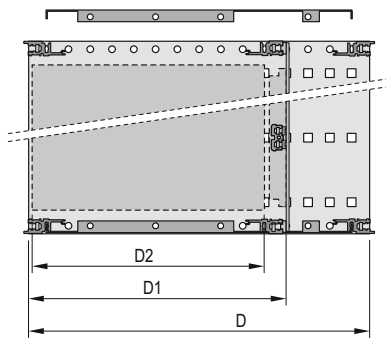
06113056

### Accessories

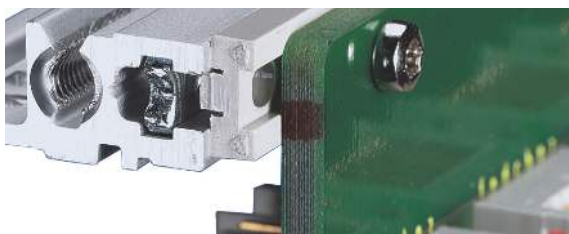
19" assembly kit (screw, washer, nut) (8 x screws, 8 x plastic washers, 8 x cage nuts)	<b>21100-435</b>
---	------------------

### Guide rails (standard), ESD clips

Depth D2 mm	Qty/PU piece	Part no.
160	10	<b>24568-361</b>
220	10	<b>24568-362</b>
280	10	<b>24568-379</b>
ESD clip for guide rails PU 50 pieces		<b>24560-255</b>



D = overall depth, D1 = insertion depth,  
D2 = board depth = D1 - 15 mm



04400001

Rear horizontal rail for backplane mounting with insulation strip

# Subracks – EuropacPRO

**KIT, 'HEAVY', UNSHIELDED, FOR BACKPLANE MOUNTING**

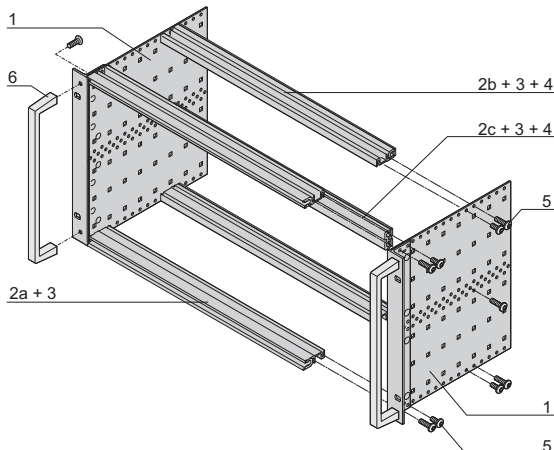


Without front handle

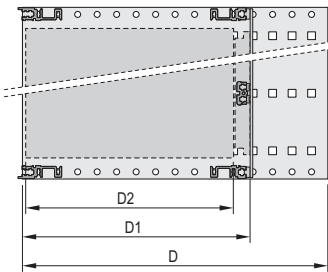
06102007

With front handle

06111003

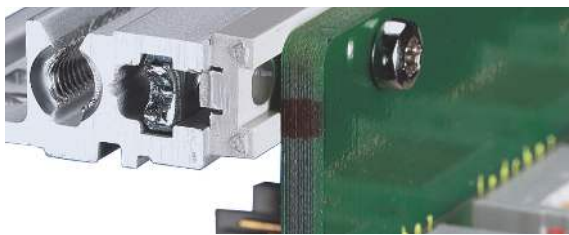


6 U



06111057

D = overall depth, D1 = insertion depth, D2 = board depth



04400001

Rear horizontal rail for backplane mounting with insulation strip



Front handle position

- Subrack with side panel type H ("heavy"), 19" bracket is firmly fixed to side panel (tox-cold welded)
- Rear horizontal rail for backplane mounting with insulation strip
- Shock and vibration resistance up to 5 g
- Installed load up to 15 kg
- Versions with/without front handles

**DELIVERY COMPRISES (Kit)**

Item	Qty	Description	
	3 U	6 U	
1	2	2	Side panel type H, Al, 2 mm, passivated, with 19" support bracket (tox-cold welded) for textile EMC gasket
2a	2	2	Front horizontal rail (H-KD)
2b	2	2	Rear horizontal rail (H-ST)
2c	-	1	Rear horizontal rail centre (H-ST)
3	4	6	Threaded insert, front and rear (pre-fitted)
4	2	4	Insulation strip (pre-fitted)
5	1	1	Fixing material kit, user manual
6	2	2	Front handle, angled version (on version with front handle only)

**ORDER INFORMATION**

Height U	Width HP	Depth D mm	Depth D1 mm	Part no. with front handle	Part no. without front handle
3	84	175	175	<b>24567-161</b>	<b>24563-161</b>
3	84	235	175/235	<b>24567-162</b>	<b>24563-162</b>
3	84	295	175/235/295	<b>24567-163</b>	<b>24563-163</b>
3	84	355	175/235/295/355	<b>24567-164</b>	<b>24563-164</b>
6	84	175	175	<b>24567-461</b>	<b>24563-461</b>
6	84	235	175/235	<b>24567-462</b>	<b>24563-462</b>
6	84	295	175/235/295	<b>24567-463</b>	<b>24563-463</b>
6	84	355	175/235/295/355	<b>24567-464</b>	<b>24563-464</b>

**Accessories**

19" assembly kit (screw, washer, nut) (8 x screws, 8 x plastic washers, 8 x cage nuts)	<b>21100-435</b>
--	------------------

**Guide rails (standard), ESD clips**

Depth D2 mm	Qty/PU piece	Part no.
160	10	<b>24568-361</b>
220	10	<b>24568-362</b>
280	10	<b>24568-379</b>
340	10	<b>24568-380</b>

ESD clip for guide rails PU 50 pieces **24560-255**

Torx panhead screw, for extra bolting of the guide rails, 2.5 x 9.3, zinc-plated, PU 100 pieces; torque max. 0.2 Nm **24560-141**

**Cover plates for bolting to side panel**

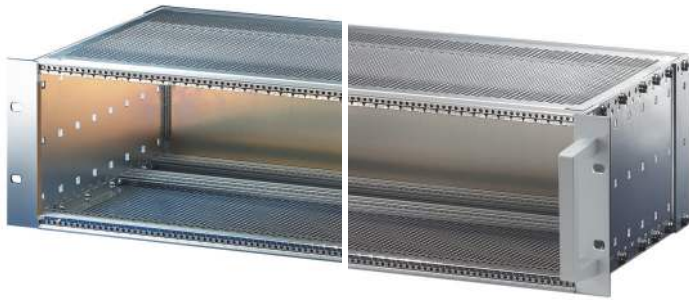
Depth D2 mm	Width HP	Qty/PU piece	Part no.
160	84	2	<b>24560-078</b>
220	84	2	<b>24560-079</b>
280	84	2	<b>24560-080</b>
340	84	2	<b>24560-081</b>

**Remark:**

- ServicePLUS from page 6.18
- The slightly angled front handles facilitate access to the fixing screws. (Screwing into a 19" Cabinet)  
The handle are screwed from the rear side of the 19" bracket

# Subracks – EuropacPRO

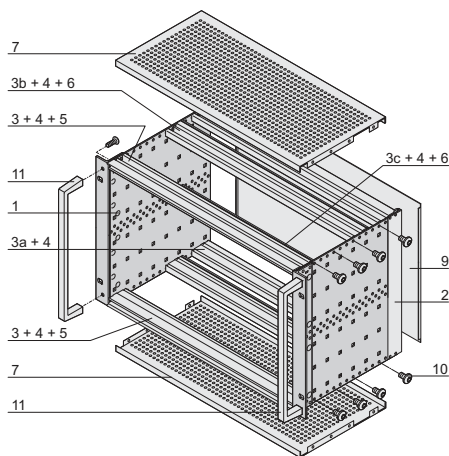
**KIT, "HEAVY", SHIELDED, FOR BACKPLANE MOUNTING**



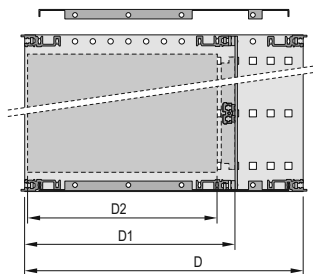
- Subrack with side panel type H ("heavy"), 19" bracket is firmly fixed to side panel (tox-cold welded)
- Rear horizontal rail for backplane mounting with insulation strip
- Shielding typically 40 dB at 1 GHz, 30 dB at 2 GHz, assuming that the front is closed with sealed front panels
- Shock and vibration resistance up to 5 g
- Installed load up to 15 kg
- Versions with/without front handles

Without front handle

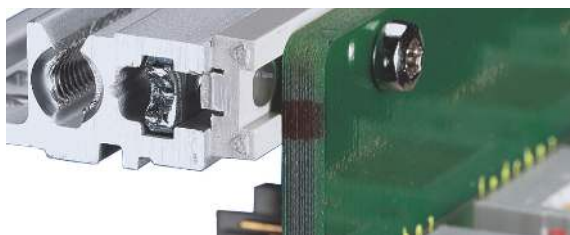
With front handle



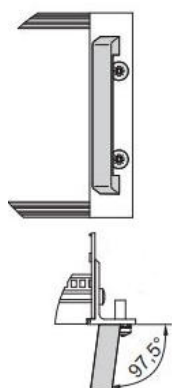
6 U



D = overall depth, D1 = insertion depth, D2 = board depth = D1 - 15 mm



Rear horizontal rail for backplane mounting with insulation strip



Front handle position

### DELIVERY COMPRISES (Kit)

Item	Qty	Description	
	3 U	6 U	
1	2	2	Side panel type H, Al, 2 mm, passivated, with 19" support bracket (tox-cold welded) for textile EMC gasket
2	2	2	Rear corner profile for textile EMC gasket
3	2	2	Front horizontal rail (H-KD)
3 a	2	2	Rear horizontal rail (H-KD)
3 b	2	2	Rear horizontal rail (H-ST)
3 c	-	1	Rear horizontal rail centre (ST)
4	6	8	Threaded insert (pre-fitted)
5	2	2	Perforated strip (pre-fitted)
6	2	4	Insulation strip (pre-fitted)
7	2	2	EMC cover plate
8	1	1	EMC gasketing material (pre-fitted)
9	1	1	EMC rear panel
10	1	1	Fixing material kit, user manual
11	2	2	Front handle, angled version (on version with front handle only)

### ORDER INFORMATION

Height U	Width HP	Depth D mm	Depth D1 mm	Part no. with front handle	Part no. without front handle
3	84	235	175	<b>24567-172</b>	<b>24563-172</b>
3	84	295	175/235	<b>24567-173</b>	<b>24563-173</b>
3	84	355	175/235/295	<b>24567-174</b>	<b>24563-174</b>
6	84	235	175	<b>24567-472</b>	<b>24563-472</b>
6	84	295	175/235	<b>24567-473</b>	<b>24563-473</b>
6	84	355	175/235/295	<b>24567-474</b>	<b>24563-474</b>

### Accessories

19" assembly kit (screw, washer, nut) (8 x screws, 8 x plastic washers, 8 x cage nuts) **21100-435**

### Guide rails (standard), ESD clips

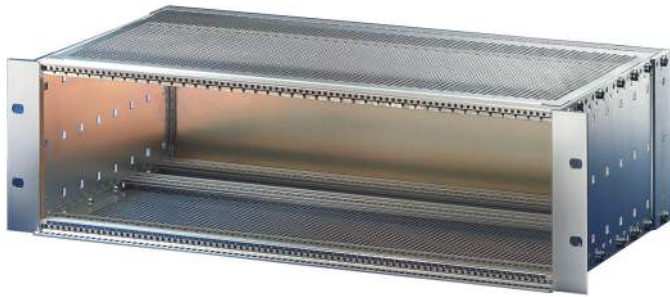
Depth D2 mm	Qty/PU piece	Part no.
160	10	<b>24568-361</b>
220	10	<b>24568-362</b>
280	10	<b>24568-379</b>
ESD clip for guide rails PU 50 pieces		<b>24560-255</b>
Torx panhead screw, for extra bolting of the guide rails, 2.5 x 9.3, zinc-plated, PU 100 pieces; torque max. 0.2 Nm		<b>24560-141</b>

### Remark:

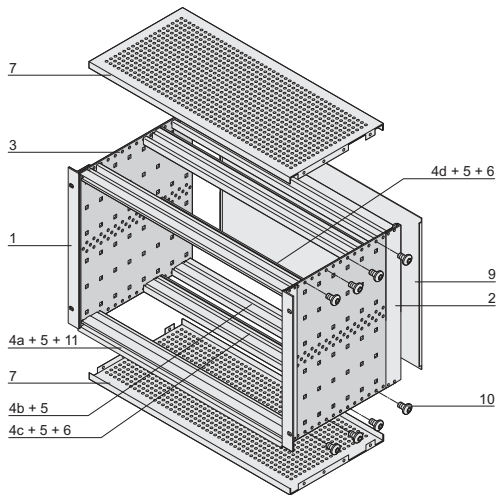
- ServicePLUS from page 6.18
- The slightly angled front handles facilitate access to the fixing screws. (Screwing into a 19" Cabinet)  
The handle are screwed from the rear side of the 19" bracket

# Subracks – EuropacPRO

**KIT, "FLEXIBLE", FOR COMPACTPCI, FOR BACKPLANE MOUNTING, WITHOUT REAR I/O, SHIELDED**



6 U



06102009

- Subrack with side panel type F ("flexible") for CompactPCI plug-in units with high insertion and withdrawal forces
- Rear horizontal rail for backplane mounting with insulation strip
- Shielding typically 40 dB at 1 GHz, 30 dB at 2 GHz, assuming that the front is covered with shielded front panels
- Installed load up to 11 kg

### DELIVERY COMPRISES (kit)

Item	Qty		Description
	3 U	6 U	
1	2	2	19" support bracket for <b>EMC textile gasket</b>
2	2	2	Rear corner profile for <b>EMC textile gasket</b>
3	2	2	Side panel type F
4	1	-	Front horizontal rail (H-KD)
4 a	1	2	Front horizontal rail IEEE (H-LD)
4 b	2	2	Rear horizontal rail (L-KD)
4 c	2	2	Rear horizontal rail (H-ST), for backplane mounting with insulation strip
4 d	-	1	Centre horizontal rail (ST)
5	6	8	Threaded insert (pre-fitted)
6	2	4	Insulation strip (pre-fitted)
7	2	2	EMC cover plate
8	1	1	EMC gasketing material (pre-fitted)
9	1	1	Rear panel
10	1	1	Fixing material kit
11	2	2	Perforated strip (pre-fitted in item 4+4a)
12	1	1	User manual

06102078

### ORDER INFORMATION

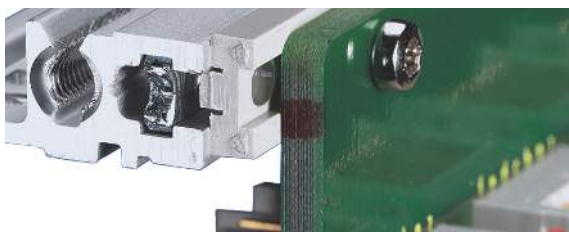
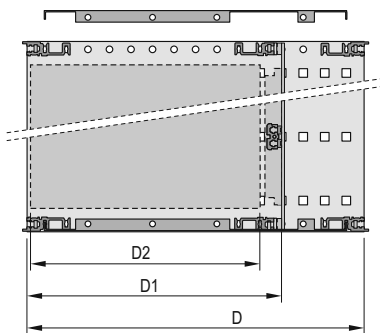
Height	Width	Depth D	Depth D1	Part no.
U	HP	mm	mm	
3	84	235	175	<b>24563-152</b>
6	84	235	175	<b>24563-452</b>

### Accessories

Guide rail with coding, red 160 mm deep, PC, UL 94 V-0, groove width 2 mm, PU 10 pieces	<b>24568-356</b>
Guide rail with coding, grey 160 mm deep, PC, UL 94 V-0, groove width 2 mm, PU 10 pieces	<b>24568-358</b>
Guide rail with coding, green, offset 160 mm deep, PC, UL 94 V-0, groove width 2 mm, PU 10 pieces	<b>24568-359</b>
ESD clip for guide rails PU 50 pieces	<b>24560-255</b>
ESD clip for alignment pin of CPCI/VME64x handle PU 50 pieces	<b>24560-256</b>
Torx panhead screw 2.5 x 9.3, zinc-plated, PU 100 pieces; torque max. 0.2 Nm	<b>24560-141</b>
Coding peg PC, UL 94 V-0, RAL 7035, PU 100 pieces	<b>20817-501</b>
19" assembly kit (screw, washer, nut) (8 x screws, 8 x plastic washers, 8 x cage nuts)	<b>21100-435</b>

06113055

D = overall depth, D1 = insertion depth, D2 = board depth = D1 - 15 mm

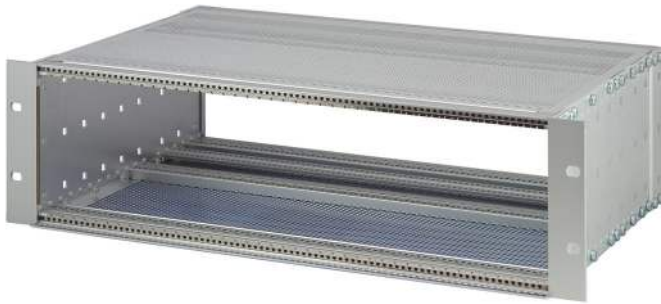


04400001

Rear horizontal rail for backplane mounting with insulation strip

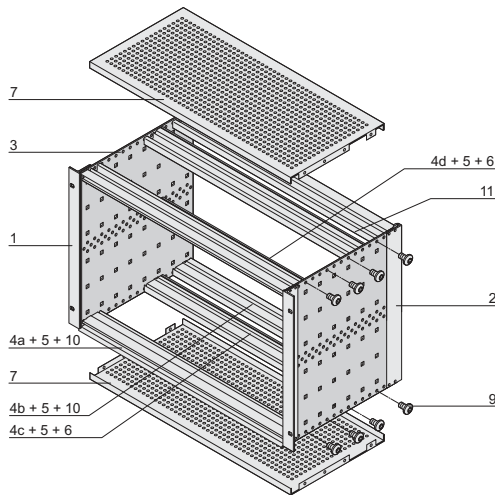
# Subracks – EuropacPRO

## SUBRACK KIT, "FLEXIBLE", FOR COMPACTPCI, FOR BACKPLANE MOUNTING, FOR REAR I/O, SHIELDED



- Subrack with side panel type F ("flexible") for CompactPCI plug-in units with high insertion and withdrawal forces
- For rear I/O boards (depth 80 mm)
- Rear horizontal rail for backplane mounting with insulation strip
- Shielding typically 40 dB at 1 GHz, 30 dB at 2 GHz, assuming that the front is covered with shielded front panels
- Installed load up to 11 kg

6 U



06108007

### DELIVERY COMPRISES (kit)

Item	Qty		Description
	3 U	6 U	
1	2	2	19" support bracket for <b>EMC textile gasket</b>
2	2	2	Rear corner profile for <b>EMC textile gasket</b>
3	2	2	Side panel type F
4	1	-	Front horizontal rail (H-KD)
4 a	1	2	Front horizontal rail IEEE (H-LD)
4 b	2	2	Rear horizontal rail (H-KD)
4 c	2	2	Rear horizontal rail (H-ST), with insulation strip for backplane mounting
4 d	-	1	Centre horizontal rail (ST)
5	6	8	Threaded insert (pre-fitted)
6	2	4	Insulation strip, fixed
7	2	2	EMC cover plate
8	1	1	EMC gasketing material (pre-fitted)
9	1	1	Fixing material kit
10	2	2	Perforated strip (pre-fitted)
11	2	2	Horizontal rail type AB
12	1	1	User manual

06105076

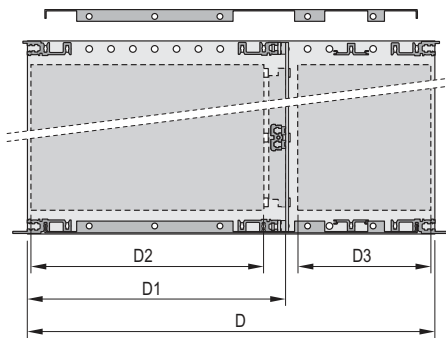
### ORDER INFORMATION

Height U	Width HP	Depth D mm	Depth D1 mm	Depth D3 mm	Part no.
3	84	275	175	80	<b>24563-157</b>
6	84	275	175	80	<b>24563-457</b>

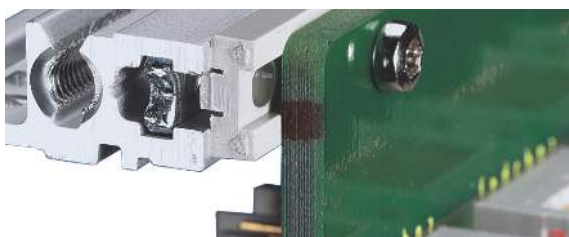
### Accessories

Guide rail with coding, red 160 mm deep, PC, UL 94 V-0, groove width 2 mm, PU 10 pieces	<b>24568-356</b>
Guide rail with coding, grey 160 mm deep, PC, UL 94 V-0, groove width 2 mm, PU 10 pieces	<b>24568-358</b>
Guide rail with coding, green, offset 160 mm deep, PC, UL 94 V-0, groove width 2 mm, PU 10 pieces	<b>24568-359</b>
ESD clip for guide rails PU 50 pieces	<b>24560-255</b>
ESD clip for alignment pin of CPCI/VME64x handle PU 50 pieces	<b>24560-256</b>
Guide rail with coding, red 70 mm deep, PU 10 pieces	<b>24568-357</b>
Guide rail with coding, grey 70 mm deep, PU 10 pieces	<b>24568-360</b>
Torx panhead screw 2.5 x 9.3, zinc-plated, PU 100 pieces; torque max. 0.2 Nm	<b>24560-141</b>
Coding peg PC, UL 94 V-0, RAL 7035, PU 100 pieces	<b>20817-501</b>
19" fixing material kit (screw, washer, nut) ( 8 x screws, 8 x plastic washers, 8 x cage nuts)	<b>21100-435</b>

06108075



D = overall depth, D1 = insertion depth,  
D2 = board depth = D1 - 15 mm, D3 = rear I/O board depth

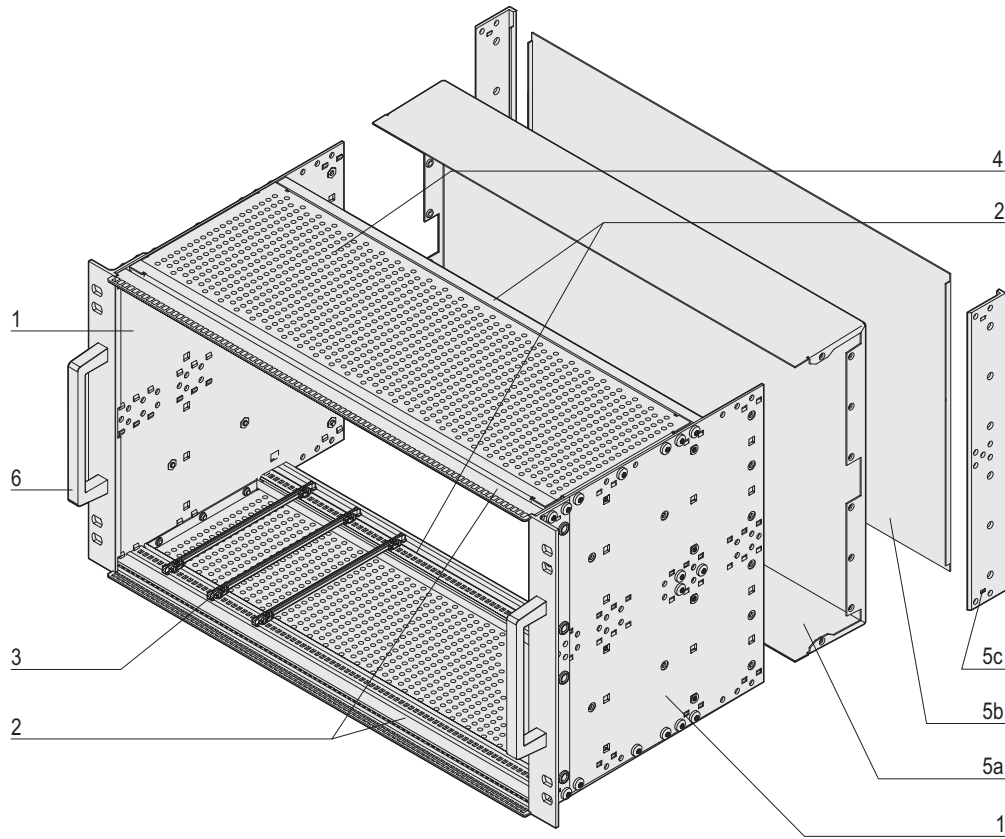


04400001

Rear horizontal rail for backplane mounting with insulation strip

# Subracks – EuropacPRO

## OVERVIEW OF INDIVIDUAL COMPONENTS FOR SHIELDED OR UNSHIELDED SUBRACKS

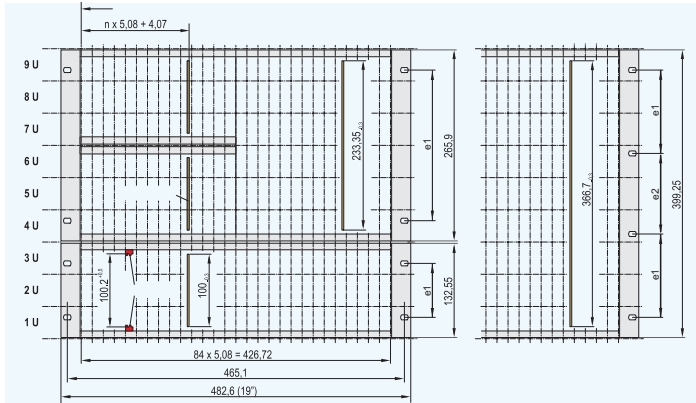


06108086

Item	Description	Description	page
Item 1	Side panel	Establishes the height and depth of the subrack; Al, 2 mm, with universal hole positions for assembly of accessories. Three versions: The "flexible" one with separate 19" brackets as well as two others with integrated 19" brackets for "light" and "heavy" applications.	6.21
Item 2	Horizontal rail	Establishes the width of the subrack; Al extrusion, with defined hole positions for guide rails, grooves for threaded inserts, M4 thread, functional rail shapes, basically differing with regard to their mechanical loading capacity: "light" (load up to 7.5 kg) and "heavy" (load > 7.5 kg).	6.29
Item 3	Guide rails	Act as interface between subracks and boards, for different board formats, are available in plastic or metal, optionally codable and can be fitted with ESD clips to allow electrostatic discharge, also optionally.	6.37
Item 4	Cover plates	Provide mechanical protection and/or EMC shielding and are perforated.	6.44
Item 5	Rear/front	Rear hood (5a) or front panel (5b) with corner profile (5c) act as support for EMC shielding gaskets used in conjunction with shielded front panels. Note: Rear hood and corner profile cannot be fitted simultaneously.	6.49
Item 6	Handles	Can be mounted on the 19" brackets.	6.27
-	EMC shielding (without illustration)	Extensive component range for specific shielding of subracks with respect to their application.	6.54
-	Interior assemblies (without illustration)	Universal assemblies, e.g. for horizontal and vertical assembly and for mounting plates.	6.59

# Subracks – EuropacPRO

## SUBRACK DIMENSIONS



20304051

- Dimensions in accordance with international standards EC 60297-3-100, IEEE 1101.1/.10/.11; please see the SCHROFF Standards Summary for details
- Side panels
  - Aluminium, 2 mm
  - Round holes for mounting horizontal rails (depth grid 15 mm)
  - Impressions on the inner side of the side panel act as an anti-rotation guard and positioning aid for the horizontal rails
  - Square holes (6 x 6 mm) provide universal fixing for components such as backplane shielding; version without square holes available on request



06197003

### Depth grid

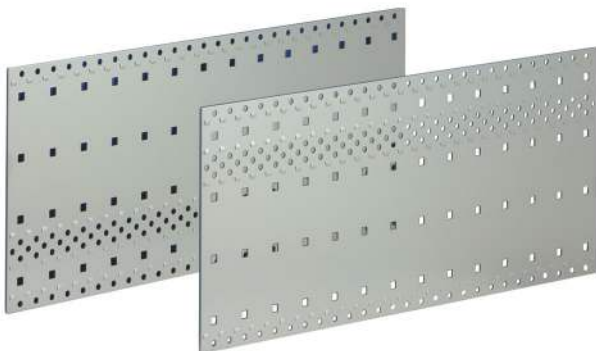
The depth grid is 15 mm, the mounting holes in the side panel are decisive for the configurability of individual components; thus any combination of various individual parts is possible



06108008

### Side panel 3 U, 6 U and 9 U

3 and 6 U side panels have the same hole positions (the 6 U is a doubling vertically of the 3 U); thus subdivisions can be made in the vertical dimension (6 U: 2 x 3 U; 9 U: 3 x 3 U)



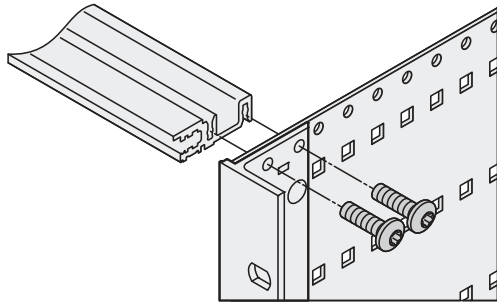
06108011

### Side panel 4 U

4 U side panels have the same hole positions as 3 U and additionally 1 U (above or beneath the 3 U installation); this height allows the construction of a 3 U unit with 1 U clearance for cabling or airflow

# Subracks – EuropacPRO

## SIDE PANELS



Side panel - horizontal rail assembly

06108062

- Aluminium
- Round holes for mounting horizontal rails (depth grid 15 mm)
- Impressions on the inner side of the side panel act as an anti-rotation guard and positioning aid for the horizontal rails
- Square holes (6 x 6 mm) provide universal fixing for components such as backplane shielding; version without square holes available on request
- Only one type of screw driver (T20) is needed for the assembly  
Torx panhead screw, M4 x 14;  
Torque side panel - horizontal rail 2.4 Nm;  
Torque side panel - cover plate 1.3 Nm
- 4 versions of the side panel:
  - Type F = flexible
  - Type H = heavy
  - Type L = light
  - Type R = rugged



06197003

### Type F (flexible)

- Universal version: 19" bracket (please order separately) can be fitted variably to front, rear or depth-offset
- Heights: 3, 4, 6 and 9 U  
Depths: 175, 235, 275, 277.75, 295, 355, 415 and 475 mm;  
Other dimensions on request
- 2 EMC shielding concepts for the front/rear:  
stainless steel or textile EMC gasket
- Installed load up to 11 kg



06197004

### Type H (heavy)

- 19" bracket is tox-cold welded to side panel; particularly designed for mechanically demanding environments (vibration resistance, applications requiring high levels of shock and vibration, e.g. IEC 61587-2)
- Heights: 3 and 6 U  
Depths: 175, 235, 295 and 355 mm  
Other dimensions on request
- 2 EMC shielding concepts for the front/rear:  
with stainless steel or textile EMC gasket
- Installed load up to 15 kg



06197002

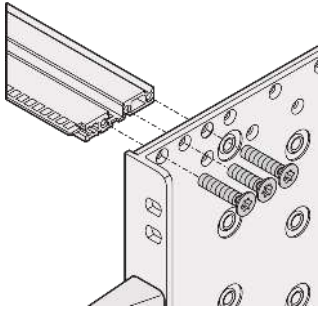
### Type L (light)

- Side panel with moulded 19" bracket, for standard applications, unshielded
- Particularly cost-effective version (not suitable for EMC applications)
- Heights: 3 and 6 U  
Depths: 175, 235 and 295 mm  
Other dimensions on request
- Installed load up to 7.5 kg



# Subracks – EuropacPRO

## SIDE PANELS



Example shows:  
Side panel type rugged to horizontal rail type rugged

- Aluminium
- Round holes for mounting horizontal rails (depth grid 15 mm)
- Impressions on the inner side of the side panel act as an anti-rotation guard and positioning aid for the horizontal rails
- Square holes (6 x 6 mm) provide universal fixing for components such as backplane shielding; version without square holes available on request
- Only one type of screw driver (T20) is needed for the assembly.  
Torx countersunk screw, M4 x 18; (with thread locking compound)  
Torque side panel - horizontal rail 2.4 Nm;  
Torque side panel - cover plate 1.3 Nm)



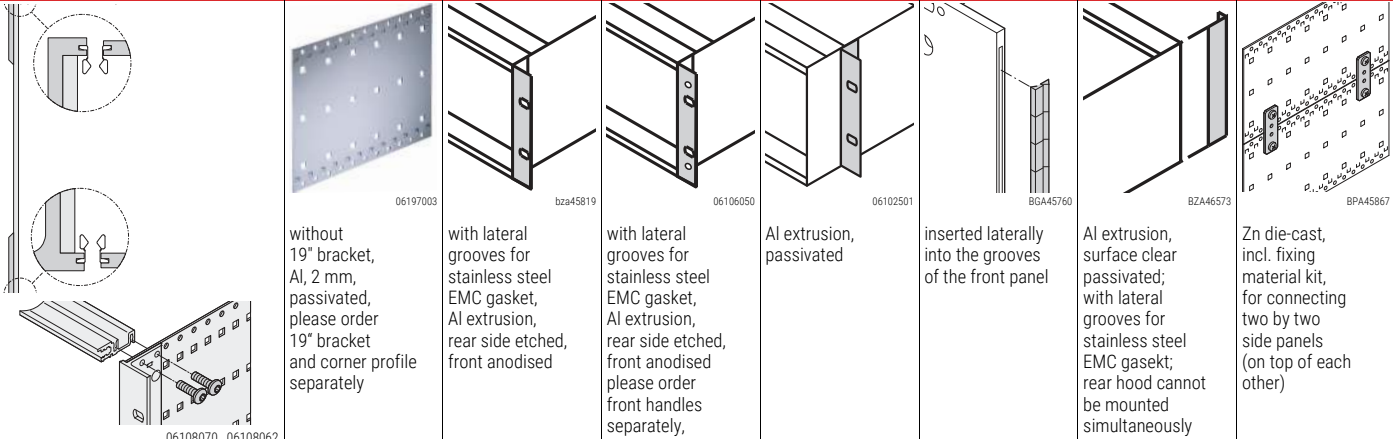
### Type R (rugged)

- 19" bracket (3,5mm) is tox-cold welded to side panel (3mm); particularly designed for mechanically demanding environments.
- Shock and vibration tested in compliance with:  
DIN EN 61587 -DL3 up to 25g  
MIL 167,  
MIL 810G,  
MIL 901D.  
Shock and vibration resistant in all three axial directions.
- Heights: 3 and 6 U  
Depths: 175, 235, 275, 277,75, 295 and 355 mm.  
Other dimensions on request
- **One** EMC shielding concepts for front/rear side:  
Textile EMC gasket (-40°C up to +85°C)
- Installed load up to 25 kg

# Subracks – EuropacPRO

## SIDE PANELS TYPE F FOR STAINLESS STEEL GASKET

### ORDER INFORMATION

		Side panel type F	19" bracket without handle holes	19" bracket with handle holes	19" bracket depth-adjustable	EMC gasket (stainless steel)	Rear angle	Side panel connection
		without 19" bracket, Al, 2 mm, passivated, please order 19" bracket and corner profile separately 06108070 06108062	with lateral grooves for stainless steel EMC gasket, Al extrusion, rear side etched, front anodised bza45819	with lateral grooves for stainless steel EMC gasket, Al extrusion, rear side etched, front anodised please order front handles separately, 06106050	Al extrusion, passivated 06102501	inserted laterally into the grooves of the front panel BGA45760	Al extrusion, surface clear passivated; with lateral grooves for stainless steel EMC gasket; rear hood cannot be mounted simultaneously BZA46573	Zn die-cast, incl. fixing material kit, for connecting two by two side panels (on top of each other) BPA45867
Height U	Depth mm	1 piece	PU 1 pair	PU 1 pair	PU 1 pair	PU 10 pieces	PU 1 pair	PU 4 pieces
3	175	<b>34560-185</b>						
3	235	<b>34560-187</b>						
3	275	1) <b>34579-300</b>						
3	277.75	2) <b>34579-002</b>						
3	295	<b>34560-189</b>	<b>24560-197</b>	<b>24560-198</b>	<b>24560-199</b>	<b>21101-705</b>	<b>24561-198</b>	<b>21101-954</b>
3	355	<b>34560-191</b>						
3	415	<b>34560-193</b>						
3	475	<b>34560-195</b>						
4	175	3) <b>34560-285</b>						
4	235	3) <b>34560-287</b>						
4	295	3) <b>34560-289</b>	<b>24560-297</b>	<b>24560-298</b>	<b>24560-299</b>	<b>21101-713</b>	<b>24561-298</b>	<b>21101-954</b>
4	355	3) <b>34560-291</b>						
4	415	3) <b>34560-293</b>						
4	475	3) <b>34560-295</b>						
6	175	<b>34560-485</b>						
6	235	<b>34560-487</b>						
6	275	1) <b>34579-038</b>						
6	277.75	2) <b>34579-012</b>						
6	295	<b>34560-489</b>	<b>24560-497</b>	<b>24560-498</b>	<b>24560-499</b>	<b>21101-707</b>	<b>24561-498</b>	<b>21101-954</b>
6	355	<b>34560-491</b>						
6	415	<b>34560-493</b>						
6	475	<b>34560-495</b>						
6	970	<b>34560-496</b>						
9	175	<b>34560-785</b>						
9	235	<b>34560-787</b>						
9	295	<b>34560-789</b>	<b>24560-797</b>	<b>24560-798</b>	<b>24560-799</b>	<b>21101-709</b>	<b>24561-798</b>	<b>21101-954</b>
9	355	<b>34560-791</b>						
9	415	<b>34560-793</b>						
Screw, M4 x 14, PU 100 pieces, for fastening horizontal rail to side panel		<b>24560-130</b>	<b>24560-130</b>	<b>24560-130</b>	<b>24560-130</b>	-	<b>24560-130</b>	-
Screw, M4 x 10, required if guide rails are screwed to slot 1, PU 100 pieces		<b>24560-155</b>	<b>24560-155</b>	<b>24560-155</b>	<b>24560-155</b>	-	<b>24560-155</b>	-

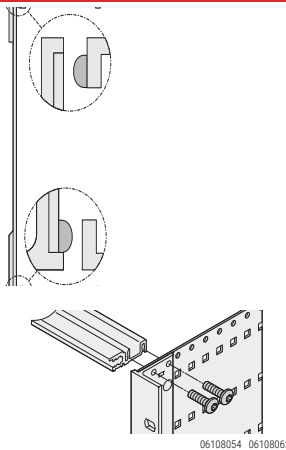

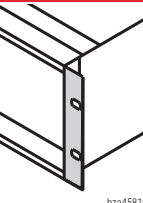
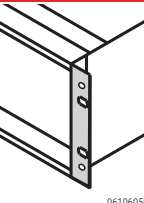
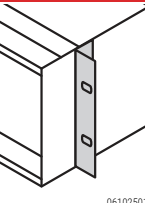
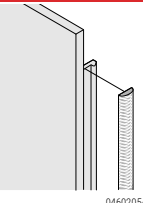
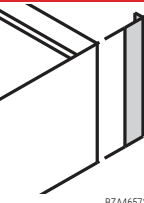
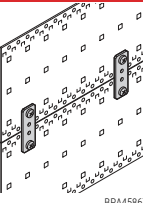
1) CompactPCI 2) VME64x 3) Grid holes of side panel 3 + 1 U

• View of side panels 3, 4, 6, 9 U see page 6.20

# Subracks – EuropacPRO

## SIDE PANELS TYPE F FOR TEXTILE EMC GASKET

### ORDER INFORMATION

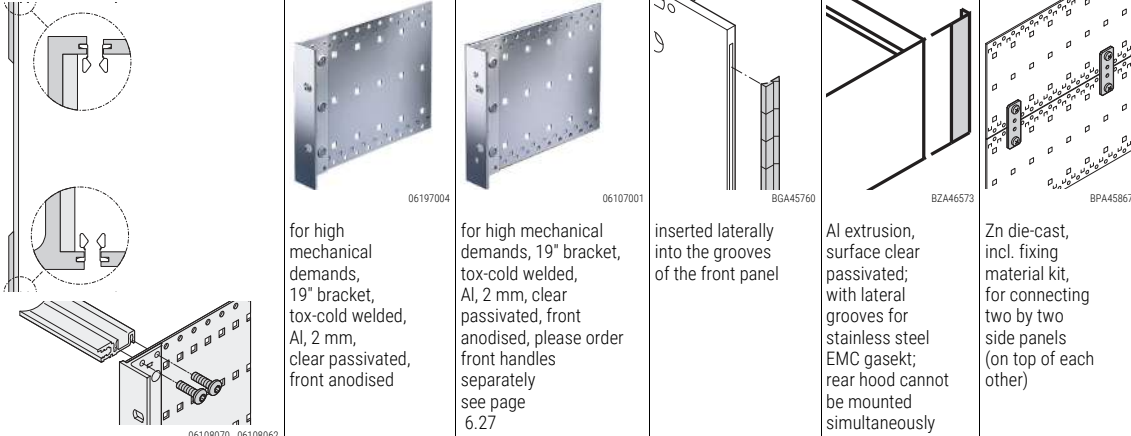
Illustration shows standard assembly, not VME or CompactPCI bus with rear I/O		Side panel type F	19" bracket without handle holes	19" bracket with handle holes	19" bracket depth-adjustable	EMC gasket (textile)	Rear angle	Side panel connection
		 <p>06197003</p> <p>without 19" bracket, Al, 2 mm, passivated, please order 19" bracket and corner profile separately</p>	 <p>bza45819</p> <p>Al extrusion for textile EMC gasket rear side etched, front anodised</p>	 <p>06106050</p> <p>Al extrusion for textile EMC gasket, rear side etched, front anodised, please order front handles separately, see page 6.27</p>	 <p>06102501</p> <p>Al extrusion, passivated</p>	 <p>04602054</p> <p>textile gasket, core: foam, sleeve: textile cladding with CuNi coating, UL 94 V-0</p>	 <p>BZA46573</p> <p>Al extrusion, etched; for textile EMC gasket</p>	 <p>BPA45867</p> <p>Zn die-cast, incl. fixing material kit, for connecting two by two side panels (on top of each other)</p>
Height U	Depth mm	1 piece	PU 1 pair	PU 1 pair	PU 1 pair	PU 10 pieces	PU 1 pair	PU 4 pieces
3	175	<b>34560-185</b>						
3	235	<b>34560-187</b>						
3	275	1) <b>34579-300</b>						
3	277.75	2) <b>34579-002</b>						
3	295	<b>34560-189</b>	<b>24564-197</b>	<b>24564-198</b>	<b>24560-199</b>	<b>21101-853</b>	<b>24564-199</b>	<b>21101-954</b>
3	355	<b>34560-191</b>						
3	415	<b>34560-193</b>						
3	475	<b>34560-195</b>						
4	175	3) <b>34560-285</b>						
4	235	3) <b>34560-287</b>						
4	295	3) <b>34560-289</b>						
4	355	3) <b>34560-291</b>	<b>24564-297</b>	<b>24564-298</b>	<b>24560-299</b>	<b>21101-858</b>	<b>24564-299</b>	<b>21101-954</b>
4	415	3) <b>34560-293</b>						
4	475	3) <b>34560-295</b>						
6	175	<b>34560-485</b>						
6	235	<b>34560-487</b>						
6	275	1) <b>34579-038</b>						
6	277.75	2) <b>34579-012</b>						
6	295	<b>34560-489</b>	<b>24564-497</b>	<b>24564-498</b>	<b>24560-499</b>	<b>21101-855</b>	<b>24564-499</b>	<b>21101-954</b>
6	355	<b>34560-491</b>						
6	415	<b>34560-493</b>						
6	475	<b>34560-495</b>						
6	970	<b>34560-496</b>						
9	175	<b>34560-785</b>						
9	235	<b>34560-787</b>						
9	295	<b>34560-789</b>	<b>24564-797</b>	<b>24564-798</b>	<b>24560-799</b>	<b>21101-859</b>	<b>24564-799</b>	<b>21101-954</b>
9	355	<b>34560-791</b>						
9	415	<b>34560-793</b>						
Screw, M4 x 14, PU 100 pieces, for fastening horizontal rail to side panel		<b>24560-130</b>	<b>24560-130</b>	<b>24560-130</b>	<b>24560-130</b>	–	<b>24560-130</b>	–
Screw, M4 x 10, required if guide rails are screwed to slot 1, PU 100 pieces		<b>24560-155</b>	<b>24560-155</b>	<b>24560-155</b>	<b>24560-155</b>	–	<b>24560-155</b>	–

1) CompactPCI 2) VME64x 3) Grid holes of side panel 3 + 1 U

# Subracks – EuropacPRO

## SIDE PANELS TYPE H FOR STAINLESS STEEL EMC GASKET

### ORDER INFORMATION

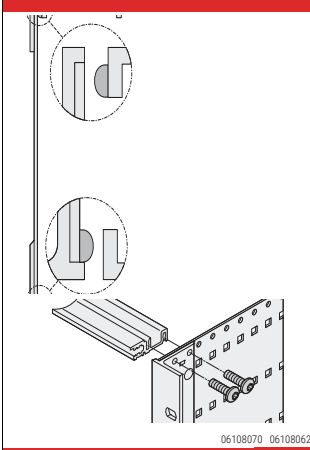


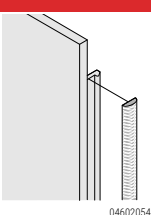
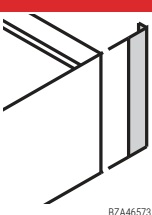
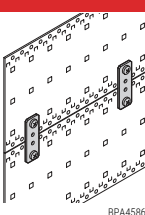
		Side panel type H for stainless steel EMC gasket		EMC gasket (stainless steel)	Rear angle	Side panel connection
		without handle holes	with handle holes			
		for high mechanical demands, 19" bracket, tox-cold welded, Al, 2 mm, clear passivated, front anodised	for high mechanical demands, 19" bracket, tox-cold welded, Al, 2 mm, clear passivated, front anodised, please order front handles separately see page 6.27	inserted laterally into the grooves of the front panel	Al extrusion, surface clear passivated; with lateral grooves for stainless steel EMC gasket; rear hood cannot be mounted simultaneously	Zn die-cast, incl. fixing material kit, for connecting two by two side panels (on top of each other)
Height U	Depth mm	PU 1 pair	PU 1 pair	PU 10 pieces	PU 1 pair	PU 4 pieces
3	175	<b>24566-125</b>	<b>24567-125</b>			
3	235	<b>24566-127</b>	<b>24567-127</b>			
3	275 1)	-	-			
3	277.75 2)	-	-	<b>21101-705</b>	<b>24561-198</b>	<b>21101-954</b>
3	295	<b>24566-129</b>	<b>24567-129</b>			
3	355	<b>24566-131</b>	<b>24567-131</b>			
3	415	-	-			
3	475	-	-			
4	175 3)					
4	235 3)					
4	295 3)	-	-			
4	355 3)					
4	415 3)					
4	475 3)					
6	175	<b>24566-425</b>	<b>24567-425</b>			
6	235	<b>24566-427</b>	<b>24567-427</b>			
6	275 1)	-	-			
6	277.75 2)	-	-			
6	295	<b>24566-429</b>	<b>24567-429</b>	<b>21101-707</b>	<b>24561-498</b>	<b>21101-954</b>
6	355	<b>24566-431</b>	<b>24567-431</b>			
6	415	-	-			
6	475	-	-			
6	970	-	-			
9	175					
9	235					
9	295	-	-			
9	355					
9	415					
Screw, M4 x 14, PU 100 pieces, for fastening horizontal rail to side panel		<b>24560-130</b>	<b>24560-130</b>	-	<b>24560-130</b>	-
Screw, M4 x 10, required if guide rails are screwed to slot 1, PU 100 pieces		<b>24560-155</b>	<b>24560-155</b>	-	<b>24560-155</b>	-

1) CompactPCI 2) VME64x 3) Grid holes of side panel 3 + 1 U

# Subracks – EuropacPRO

## SIDE PANELS TYPE H FOR TEXTILE EMC GASKET

### ORDER INFORMATION

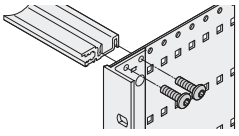

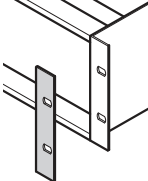
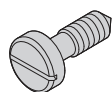
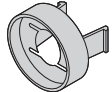
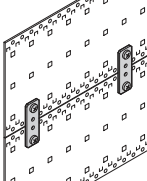
Illustration shows standard assembly, not VME or CompactPCI bus with rear I/O		Side panel type H for textile EMC gasket		EMC gasket (textile)	Rear angle	Side panel connection
		without handle holes	with handle holes			
		 06197004 for high mechanical	 06107001 for high mechanical demands, 19" bracket,	 04602054 textile gasket, core: foam, sleeve: textile cladding with CuNi coating, UL 94 V-0	 BZA46573 Al extrusion, etched; for textile EMC gasket	 BPA45867 Zn die-cast, incl. fixing material kit, for connecting two by two side panels (on top of each other)
Height U	Depth mm	PU 1 pair	PU 1 pair	PU 10 pieces	PU 1 pair	PU 4 pieces
3	175	<b>24564-145</b>	<b>24566-145</b>			
3	235	<b>24564-147</b>	<b>24566-147</b>			
3	275	–	–			
3	277.75	–	–			
3	295	<b>24564-149</b>	<b>24566-149</b>	<b>21101-853</b>	<b>24564-199</b>	<b>21101-954</b>
3	355	<b>24564-151</b>	<b>24566-151</b>			
3	415	–	–			
3	475	–	–			
4	175					
4	235					
4	295	–	–	–	–	–
4	355	–	–			
4	415	–	–			
4	475	–	–			
6	175	<b>24564-445</b>	<b>24566-445</b>			
6	235	<b>24564-447</b>	<b>24566-447</b>			
6	275	–	–			
6	277.75	–	–			
6	295	<b>24564-449</b>	<b>24566-449</b>	<b>21101-855</b>	<b>24564-499</b>	<b>21101-954</b>
6	355	<b>24564-451</b>	<b>24566-451</b>			
6	415	–	–			
6	475	–	–			
6	970	–	–			
9	175					
9	235					
9	295	–	–	–	–	–
9	355	–	–			
9	415	–	–			
Screw, M4 x 14, PU 100 pieces, for fastening horizontal rail to side panel		<b>24560-130</b>	<b>24560-130</b>	–	<b>24560-130</b>	–
Screw, M4 x 10, required if guide rails are screwed to slot 1, PU 100 pieces		<b>24560-155</b>	<b>24560-155</b>	–	<b>24560-155</b>	–

1) CompactPCI 2) VME64x 3) Grid holes of side panel 3 + 1 U

# Subracks – EuropacPRO

## SIDE PANELS TYPE L

### ORDER INFORMATION

		Side panel type L	Front cover	Collar screw with slot for assembly of front cover	Sleeves for assembly of front cover	Side panel connection
		 06197002 Al, 2 mm, passivated	 BZA45810 for decorative finish of 19" bracket, Al, 2 mm, anodised	 06708055 M6 x 16, St, nickel-plated	 00508056 PPE, black	 BPA45867 Zn die-cast, incl. fixing material kit, for connecting two by two side panels (on top of each other)
Height U	Depth mm	1 piece		PU 100 pieces	PU 100 pieces	PU 4 pieces
3	175	<b>34561-185</b>				
3	235	<b>34561-187</b>				
3	275 1)	-				
3	277.75 2)	-				
3	295	<b>34561-189</b>	<b>34561-197</b>	<b>21100-565</b>	<b>21100-566</b>	<b>21101-954</b>
3	355	-				
3	415	-				
3	475	-				
4	175 3)					
4	235 3)					
4	295 3)	-				
4	355 3)					
4	415 3)					
4	475 3)					
6	175	<b>34561-485</b>				
6	235	<b>34561-487</b>				
6	275 1)	-				
6	277.75 2)	-				
6	295	<b>34561-489</b>	<b>34561-497</b>	<b>21100-565</b>	<b>21100-566</b>	<b>21101-954</b>
6	355	-				
6	415	-				
6	475	-				
6	970	-				
9	175					
9	235					
9	295	-				
9	355					
9	415					
Screw, M4 x 14, PU 100 pieces, for fastening horizontal rail to side panel		<b>24560-130</b>	-	-	-	-
Screw, M4 x 10, required if guide rails are screwed to slot 1, PU 100 pieces		<b>24560-155</b>	-	-	-	-

1) CompactPCI 2) VME64x 3) Grid holes of side panel 3 + 1 U



# Subracks – EuropacPRO

## HORIZONTAL RAILS



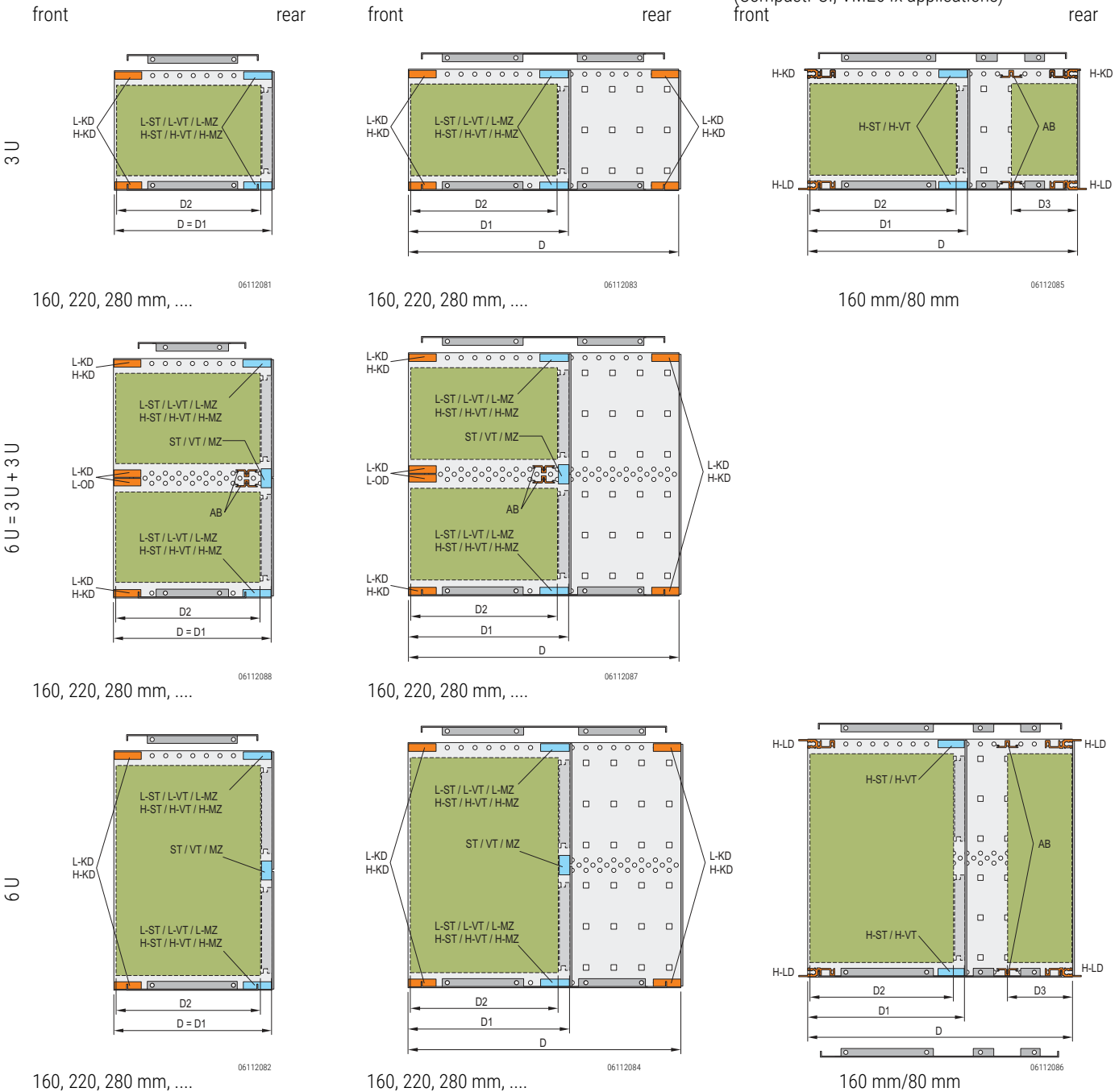
- Aluminium profile, surface anodised, conductive contact surfaces for EMC gaskets
- The horizontal rail is marked with sequential numbering (for sizes > 28 HP) to facilitate positioning of the guide rails
- Horizontal rails are fixed to the side panel using M4 bolts with torx 20 drive
- There are 3 different horizontal rails for different loading levels
  - light, for up to 7.5 kg
  - heavy, for 7.5 kg to 15 kg
  - rugged, for 15 kg to approx. 25kg

## MOUNTING POSITION OF THE HORIZONTAL RAILS

PCB as deep as side panel

Cabling space behind backplane

Rear I/O installation  
(CompactPCI, VME64x applications)





# Subracks – EuropacPRO

## FRONT HORIZONTAL RAILS

### Assembly 3 U, 2 x 3 U, 6 U

"light" (L)

"heavy" (H)

"heavy" (H)

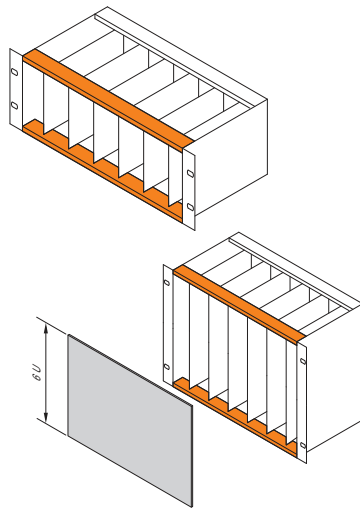


06197007

06197008

06197009

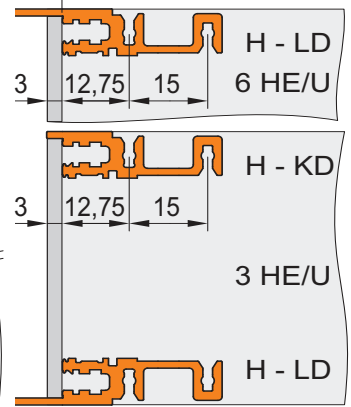
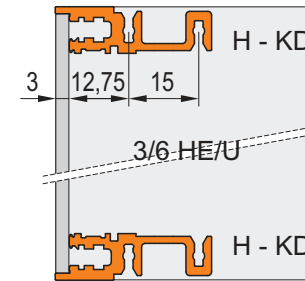
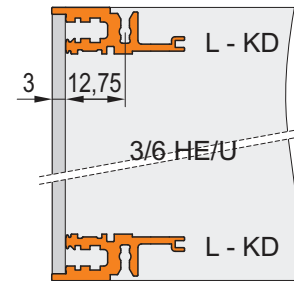
3 U/6 U



Short lip

Short lip

Long lip



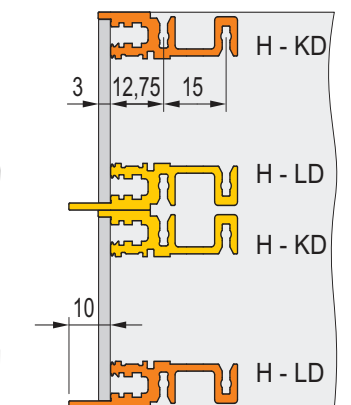
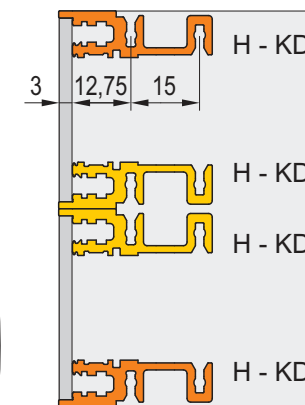
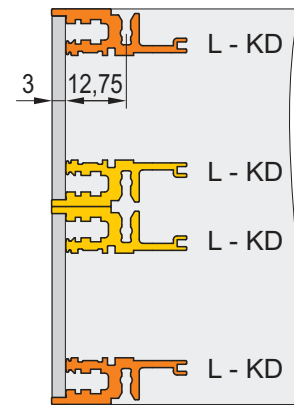
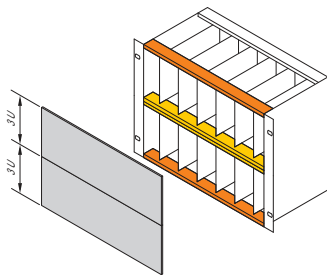
bza44980 bza44974

06105060

06105061

06108063

2 x 3 U



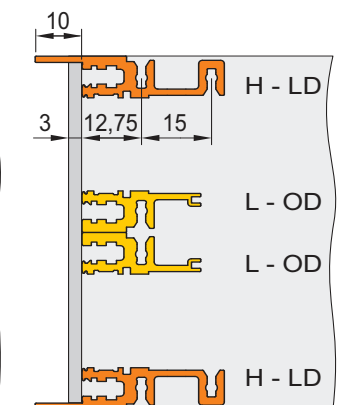
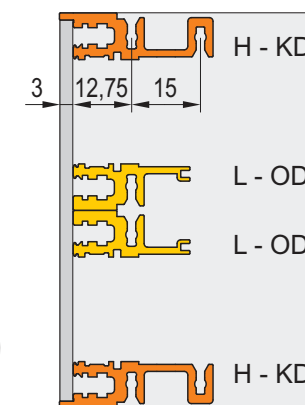
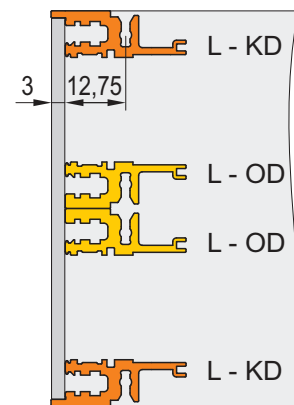
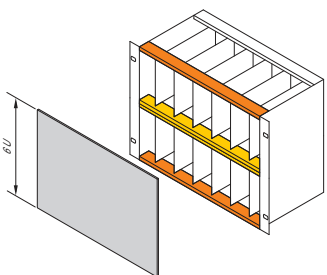
bza44972

06105062

06105063

06108064

2 x 3 U, 6 U



06105059

06105064

06105065

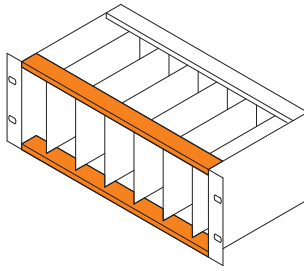




06108065

L-OD = Light - without lip, L-KD = Light - short lip, H-KD = Heavy - short lip, H-LD = Heavy - long lip

# Subracks – EuropacPRO

## FRONT HORIZONTAL RAILS

### ORDER INFORMATION

		"light" Type L-OD without lip	"light" Type L-KD short lip	"heavy" Type H-KD short lip	With long lip for insertion/ extraction of CompactPCI and VME64x boards "heavy" Type H-LD long lip
 <small>bza44980</small>		 <small>06197006</small>	 <small>06197007</small>	 <small>06197008</small>	 <small>06197009</small>
With HP markings from 28 HP, Al extrusion, anodised finish, conductive contact surface		Al extrusion, anodised finish, conductive contact surface, with printed HP markings  without lip: 2 x 3 U installation and continuous 6 U front panel	Al extrusion, anodised finish, conductive contact surface, with printed HP markings  short lip: horizontal rail and front panel form a single plane	Al extrusion, anodised finish, conductive contact surface, with printed HP markings  short lip: horizontal rail and front panel form a single plane	Al extrusion, anodised finish, conductive contact surface, with printed HP markings  long lip: for insertion/extraction of CompactPCI or VME64x boards
Usable length HP	Length mm	1 piece (SPQ 10) <sup>1)</sup>	1 piece (SPQ 10) <sup>1)</sup>	1 piece (SPQ 10) <sup>1)</sup>	1 piece (SPQ 10) <sup>1)</sup>
20	106.68	<b>34560-020</b>	<b>34560-120</b>	<b>34560-220</b>	<b>34560-320</b>
28	147.32	<b>34560-028</b>	<b>34560-128</b>	<b>34560-228</b>	<b>34560-328</b>
40	208.28	<b>34560-040</b>	<b>34560-140</b>	<b>34560-240</b>	<b>34560-340</b>
42	218.44	<b>34560-042</b>	<b>34560-142</b>	<b>34560-242</b>	<b>34560-342</b>
63	325.12	<b>34560-063</b>	<b>34560-163</b>	<b>34560-263</b>	<b>34560-363</b>
84	431.80	<b>34560-084</b>	<b>34560-184</b>	<b>34560-284</b>	<b>34560-384</b>
–	1000	<b>34560-001</b>	<b>34560-101</b>	<b>34560-201</b>	<b>34560-301</b>
Screw, M4 x 14, PU 100 pieces		<b>24560-130</b>	<b>24560-130</b>	<b>24560-130</b>	<b>24560-130</b>
Screw, M4 x 10, required if guide rails are screwed to slot 1, PU 100 pieces		–	–	<b>24560-155</b>	<b>24560-155</b>
Threaded inserts see page		6.35	6.35	6.35	6.35

1) SPQ (standard pack quantity): Part number includes 1 piece, but delivery is exclusively made in standard pack quantity (SPQ);

please order at least the SPQ quantity or a multiple

"light": loading capacity up to approx. 7.5 kg; "heavy": loading capacity > 7.5 kg

### NOTE

- 1000 mm version without M4 thread to front, without printed markings and without notch for 19"-bracket
- Rugged horizontal rails with 3 fixing holes see section "Rugged Subracks", page 6.99

# Subracks – EuropacPRO

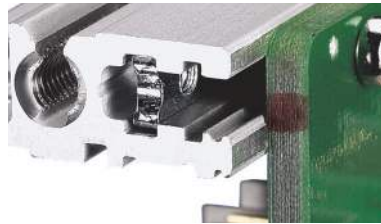
## REAR HORIZONTAL RAILS

**Indirect backplane mounting  
(with insulation strip)**



0440001

**Direct backplane mounting**



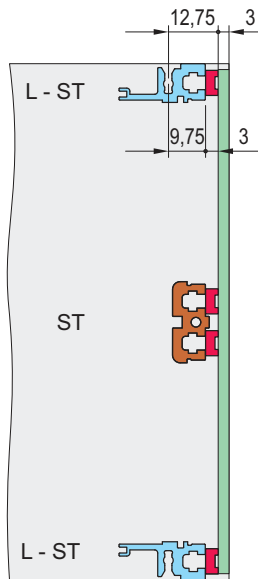
0440002

**Connector fitting with Z**

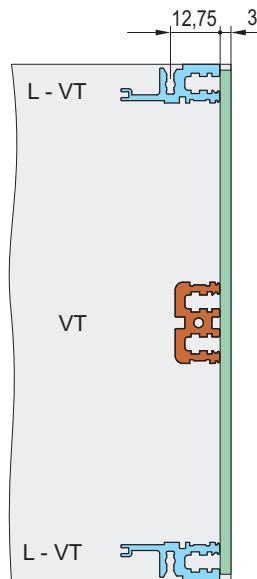


0440003

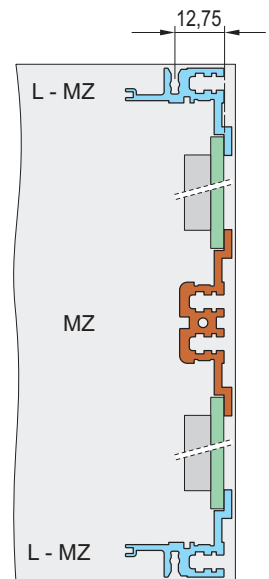
"light"



06105072

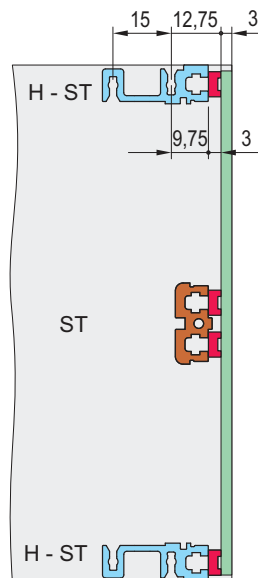


06105073

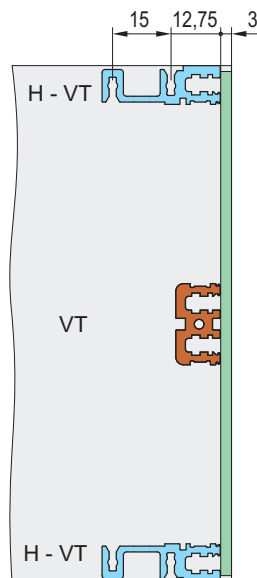


06105071

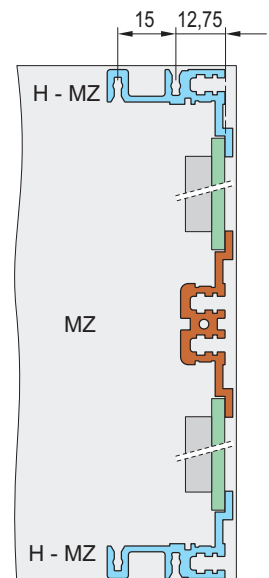
"heavy"



06108066



06108067



06108068

ST = standard, L = light, H = heavy

VT = depth-offset, L = light, H = heavy

MZ = with Z-rail, L = light, H = heavy

# Subracks – EuropacPRO

## REAR HORIZONTAL RAILS, TOP AND BOTTOM

### ORDER INFORMATION

		For indirect backplane mounting with insulation strip		For direct backplane mounting		For direct fixing of connectors in accordance with EN 60603-2 (DIN 41612)	
 <p>06105074</p> <p>With HP markings from 28 HP, Al extrusion, anodised finish, conductive surface</p>		 <p>04400001</p> <p>"light" Type L-ST standard</p>  <p>06197010</p> <p>"heavy" Type H-ST standard</p>		 <p>04400002</p> <p>"light" Type L-VT + 3 mm</p>  <p>06197011</p> <p>"heavy" Type H-VT + 3 mm</p>		 <p>04400003</p> <p>"light" Type L-MZ with Z-rail</p>  <p>06197014</p> <p>"heavy" Type H-MZ with Z-rail</p>	
Usable length HP	Length mm	1 piece (SPQ 10) <sup>1)</sup>	1 piece (SPQ 10) <sup>1)</sup>	1 piece (SPQ 10) <sup>1)</sup>	1 piece (SPQ 10) <sup>1)</sup>	1 piece (SPQ 10) <sup>1)</sup>	1 piece (SPQ 10) <sup>1)</sup>
20	106.68	<b>34560-420</b>	<b>34560-520</b>	<b>34560-620</b>	<b>34560-720</b>	<b>34560-820</b>	<b>34560-920</b>
28	147.32	<b>34560-428</b>	<b>34560-528</b>	<b>34560-628</b>	<b>34560-728</b>	<b>34560-828</b>	<b>34560-928</b>
40	208.28	<b>34560-440</b>	<b>34560-540</b>	<b>34560-640</b>	<b>34560-740</b>	<b>34560-840</b>	<b>34560-940</b>
42	218.44	<b>34560-442</b>	<b>34560-542</b>	<b>34560-642</b>	<b>34560-742</b>	<b>34560-842</b>	<b>34560-942</b>
63	325.12	<b>34560-463</b>	<b>34560-563</b>	<b>34560-663</b>	<b>34560-763</b>	<b>34560-863</b>	<b>34560-963</b>
84	431.80	<b>34560-484</b>	<b>34560-584</b>	<b>34560-684</b>	<b>34560-784</b>	<b>34560-884</b>	<b>34560-984</b>
–	1000	<b>34560-401</b>	<b>34560-501</b>	<b>34560-601</b>	<b>34560-701</b>	<b>34560-801</b>	–
Screw, M4 x 14, PU 100 pieces, for fastening horizontal rail to side panel		<b>24560-130</b>	<b>24560-130</b>	<b>24560-130</b>	<b>24560-130</b>	<b>24560-130</b>	<b>24560-130</b>
Screw, M4 x 10, required if guide rails are screwed to slot 1, PU 100 pieces		–	<b>24560-155</b>	–	<b>24560-155</b>	–	<b>24560-155</b>
Perforated rail for connector mounting with insulation strip see page		6.36	6.36	–	–	–	–
Z-rail for connector mounting without insulation strip see page		6.36	6.36	–	–	–	–
Insulation strips see page		6.35	6.35	–	–	–	–
Threaded inserts see page		6.35	6.35	6.35	6.35	6.35	6.35

<sup>1)</sup> SPQ (standard pack quantity): Part number includes 1 piece, but delivery is exclusively made in standard pack quantity (SPQ);

please order at least the SPQ quantity or a multiple

"light": loading capacity up to approx. 7.5 kg; "heavy": loading capacity > 7.5 kg

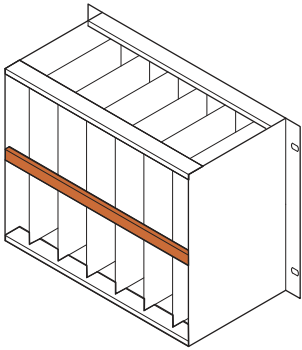






### NOTE

- 1000 mm version without M4 thread to front, without printed markings and without notch for 19"-bracket
- Rugged horizontal rails with 3 fixing holes see section "Rugged Subracks", page 6.99

# Subracks – EuropacPRO

## REAR HORIZONTAL RAILS, CENTRE, FOR 6 U

### ORDER INFORMATION

		For indirect backplane mounting with insulation strip	For direct backplane mounting	For direct fixing of connectors in accordance with EN 60603-2 (DIN 41612)
 <p>06108090</p>		 <p>04400001</p> <p>Typ ST</p>  <p>06197016</p> <p>Al extrusion, anodised surface, conductive contact surface, without printed markings</p>	 <p>04400002</p> <p>Typ VT</p>  <p>06197017</p> <p>Al extrusion, anodised surface, conductive contact surface, without printed markings</p>	 <p>04400003</p> <p>Typ MZ</p>  <p>06197018</p> <p>Al extrusion, anodised surface, conductive contact surface, without printed markings</p>
Usable length HP	Length mm	1 piece (SPQ 10) <sup>1)</sup>	1 piece (SPQ 10) <sup>1)</sup>	1 piece (SPQ 10) <sup>1)</sup>
20	106.68	<b>34561-020</b>	<b>34561-120</b>	<b>34561-220</b>
28	147.32	<b>34561-028</b>	<b>34561-128</b>	<b>34561-228</b>
40	208.28	<b>34561-040</b>	<b>34561-140</b>	<b>34561-240</b>
42	218.44	<b>34561-042</b>	<b>34561-142</b>	<b>34561-242</b>
63	325.12	<b>34561-063</b>	<b>34561-163</b>	<b>34561-263</b>
84	431.80	<b>34561-084</b>	<b>34561-184</b>	<b>34561-284</b>
-	1000	<b>34561-001</b>	<b>34561-101</b>	<b>34561-201</b>
Screw, M4 x 14, PU 100 pieces, for fastening horizontal rail to side panel		<b>24560-130</b>	<b>24560-130</b>	<b>24560-130</b>
Insulation strips see page		6.35	-	-
Threaded inserts see page		6.35	6.35	6.35

1) SPQ (standard pack quantity): Part number includes 1 piece, but delivery is exclusively made in standard pack quantity (SPQ); please order at least the SPQ quantity or a multiple  
"light": loading capacity up to approx. 7.5 kg; "heavy": loading capacity > 7.5 kg

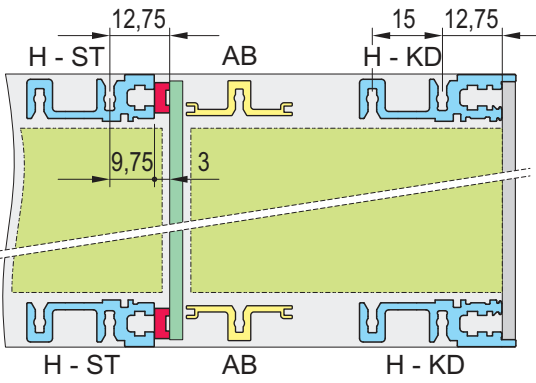
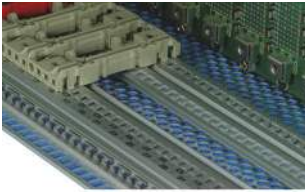

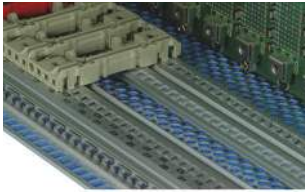

### NOTE

- All horizontal rails without printed markings
- 1000 mm version without M4 thread to front

# Subracks – EuropacPRO

## HORIZONTAL RAILS (TYPE AB) FOR REAR I/O APPLICATIONS

### ORDER INFORMATION

		For supporting guide rails in the rear section	For CompactPCI in rear I/O area with notch
 <p>06108069</p>		 <p>06108009</p> <p>Typ AB</p>  <p>06197019</p> <p>Al extrusion, anodised surface, conductive contact surface; horizontal rail type AB (AB = support) is required to fix the 80 mm rear I/O boards; without printed markings</p>	 <p>06108009</p> <p>Typ AB</p>  <p>06197019</p> <p>Al extrusion, anodised surface, conductive contact surface; horizontal rail type AB with notch for Compact PCI Rear / IO (AB = support) is required to fix the 80 mm rear I/O boards; without printed markings</p>
Usable length HP	Length mm	1 piece (SPQ 10) <sup>1)</sup>	1 piece (SPQ 10) <sup>1)</sup>
20	106.68	<b>34561-520</b>	–
28	147.32	<b>34561-528</b>	–
40	208.28	<b>34561-540</b>	–
42	218.44	<b>34561-542</b>	<b>34579-042</b>
63	325.12	<b>34561-563</b>	–
84	431.80	<b>34561-584</b>	–
–	1000	<b>34561-501</b>	<b>34579-040</b>
Screw, M4 x 14, PU 100 pieces, for fastening horizontal rail to side panel		<b>24560-130</b>	<b>24560-130</b>

<sup>1)</sup> SPQ (standard pack quantity): Part number includes 1 piece, but delivery is exclusively made in standard pack quantity (SPQ); please order at least the SPQ quantity or a multiple  
 "light": loading capacity up to approx. 7.5 kg; "heavy": loading capacity > 7.5 kg

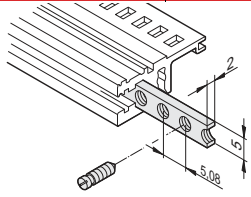
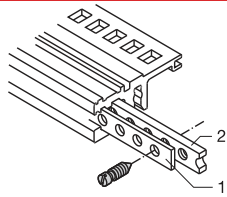
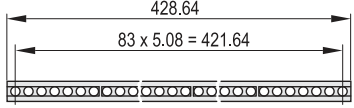
### NOTE

- All horizontal rails without printed markings
- 1000 mm version without M4 thread to front

# Subracks – EuropacPRO

## THREADED INSERTS, PERFORATED STRIPS, INSULATION STRIPS

### ORDER INFORMATION

	Threaded insert		Perforated strip (item 1)	Insulation strip			
	M2.5	M3					
	 <p>06103056</p> <p>required for fixing the front panel to the horizontal rail; St, zinc-plated; use collar screw 12.3 mm, see page 6.66</p>		 <p>BZA45853</p> <p>for centring shielded plug-in units, Al, 1 mm, please order grub screw separately</p>	 <p>BZ6749</p> <p>for insulated backplane mounting; PC, UL 94 V-0, grey</p>			
Usable length HP	Threaded insert Length mm	1 piece (SPQ 10) <sup>1)</sup>	1 piece (SPQ 10) <sup>1)</sup>	Perforated strip Length mm	1 piece (SPQ 10) <sup>1)</sup>	Insulation strip Length mm	PU 10 pieces
20	106.18	<b>34561-320</b>	–	106.48	<b>30845-189</b>	101.50	<b>24560-820</b>
28	146.82	<b>34561-328</b>	–	147.12	<b>30845-197</b>	144.20	<b>24560-828</b>
40	207.78	<b>34561-340</b>	–	208.08	<b>30845-209</b>	205.12	<b>24560-840</b>
42	217.94	<b>34561-342</b>	–	218.24	<b>30845-211</b>	210.40	<b>24560-842</b>
63	324.62	<b>34561-363</b>	–	324.92	<b>30845-232</b>	316.88	<b>24560-863</b>
84	431.30	<b>34561-384</b>	<b>34561-484</b>	431.60	<b>30845-253</b>	428.64	<b>24560-884</b>
196	1000.26	<b>34565-196</b>	–	1000.56	<b>34565-396</b>	–	–

### Accessories

Grub screw M2.5 x 8, PU 100 pieces	<b>21100-276</b>	–	–	–	–
Grub screw M2.5 x 9, PU 100 pieces	–	–	<b>21101-359</b>	–	–
Grub screw M3 x 8, PU 100 pieces	–	<b>21100-646</b>	–	–	–

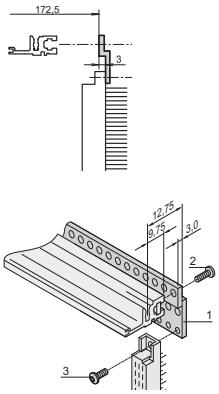
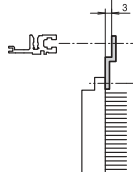
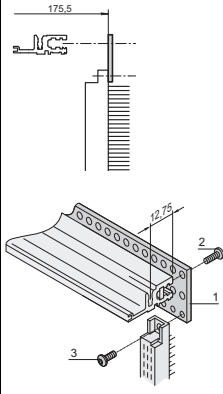
1) SPQ (standard pack quantity): Part number includes 1 piece, but delivery is exclusively made in standard pack quantity (SPQ); please order at least the SPQ quantity or a multiple

2) Part no. includes one packing unit (PU); delivery is exclusively made in PU

# Subracks – EuropacPRO

## Z-RAILS, PERFORATED RAILS

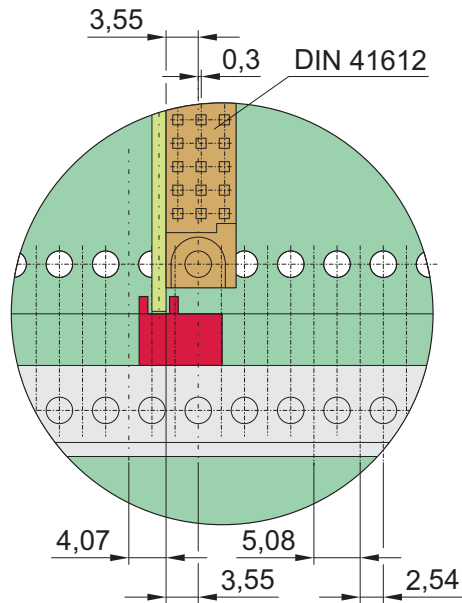
### ORDER INFORMATION

		Z-rail for connectors DIN EN 60603-2, DIN 41612 item 1	31-pin, DIN 41617	Perforated rail EN 606032, DIN 41612 item 1
		 <p>BZA45849</p> <p>06708063</p> <p>for connector mounting on ST horizontal rails, please order threaded inserts and screw separately</p>	 <p>BZA45850</p> <p>for connector mounting on ST horizontal rails, please order threaded inserts and screw separately</p>	 <p>BZA45848</p> <p>06708051</p> <p>for connector mounting on VT horizontal rails, please order threaded inserts and screw separately</p>
Usable length HP	Length mm	1 piece	1 piece	PU 4 pieces
4	20.32	<b>30822-166</b>	–	<b>20822-052</b>
8	40.64	<b>30822-170</b>	–	<b>20822-053</b>
20	101.60	<b>30822-025</b>	–	<b>20822-051</b>
28	142.24	<b>30822-033</b>	–	<b>20822-049</b>
40	203.20	<b>30822-045</b>	<b>30819-763</b>	<b>20822-046</b>
42	213.36	<b>30822-047</b>	–	<b>20822-050</b>
60	304.80	<b>30822-065</b>	<b>30819-783</b>	<b>20822-047</b>
84	426.72	<b>30822-089</b>	<b>30819-808</b>	<b>20822-048</b>
Item 2, torx panhead screw to fix connector to perforated rail,, M2.5 x 7, PU 100 pieces		<b>24560-147</b>	<b>24560-147</b>	<b>24560-147</b>
Item3, torx panhead screw, to fix perforated rails to horizontal rail, M2.5 x 10, PU 100 pieces		–	–	<b>24560-148</b>



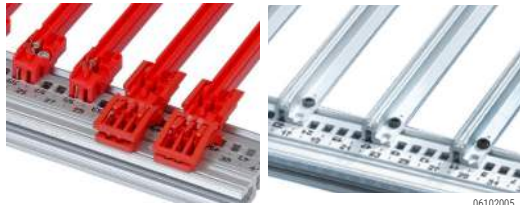
# Subracks – EuropacPRO

## GUIDE RAILS

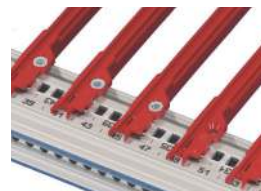
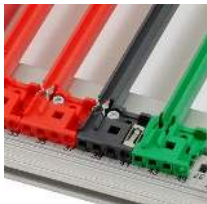


Front view: position of guide rails to connector (EN 60603-2/ DIN 41612)

06108083



06102005



06104009



06112022

Guide rails form the interface between the subrack mechanics and the sub-assemblies (PCBs, plug-in units, frame-type plug-in units, ...).

Guide rails for standard applications are 2 HP wide. Guide rails with coding (e.g. for CompactPCI or VME64bus applications) are 4 HP wide.

There are groove widths of 2 mm and 2.5 mm.

The guide rails are clipped into the rectangular cut-outs of the horizontal rails. They can additionally be bolted to the horizontal rail (type H only) for higher shock and vibration requirements.

The printed HP markings on the horizontal rail (28 HP and above) allow the rails to be fitted in the correct position easily (position of sub-assembly = "number in viewing window" or in front of the arrow marking on the guide rails).

### Applications for guide rails

For plug-in units and frame-type plug-in units (with front panels) (standard type)

For plug-in units and frame type plug-in units or for PCBs without their own front panel (accessory type or robust version)

For CompactPCI or VME64x plug-in units (type IEEE with coding; frame-type plug-in units cannot be fitted)

For plug-in drive unit modules or PCBs in 4.4" (111.7 mm) height (type 4.4")

Rugged guide rails to accommodate conduction cooled assembly (CCA) adaptor


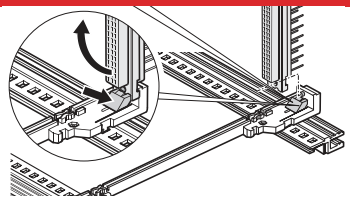
Accessories:

- ESD clip
- Keying/coding pegs
- Board locking

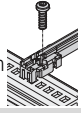
# Subracks – EuropacPRO

## GUIDE RAILS FOR PLUG-IN UNITS AND MODULES, ONE-PIECE, GROOVE WIDTH 2 MM AND 2.5 MM

### ORDER INFORMATION

			For plug-in units and frame type plug-in units Type: <b>Standard</b>		Type <b>Standard</b> , with DIN connector fixing
<b>Assembly</b> - can be clipped into Al extruded horizontal rails - can be clipped into 1.5 mm thick plates  <b>Storage temperature</b> from -40 °C ... 130 °C					
			up to 220 mm length, PC, UL 94 V-0; from 280 mm length, multi-piece, end piece PC, UL 94 V-0, central section Al extrusion	PC, UL 94 V-0	PBT, UL 94 V-0, red, connector is clipped directly onto the guide rails; for euroboards only, 100 x 160 mm or 100 x 220 mm
Board length mm	Groove width mm	Colour mm	PU 10 pieces <sup>2)</sup>	1 piece (SPQ 50) <sup>1)</sup>	1 pair (SPQ 10) <sup>1)</sup>
70	2	red	–	<b>34568-230</b>	–
70	2	grey	–	<b>34568-231</b>	–
160	2	red	<b>24568-361</b>	<b>64568-001</b>	<b>64560-074</b>
220	2	red	<b>24568-362</b>	<b>64568-002</b>	<b>64560-075</b>
280	2	red / silver	<b>24568-379</b>	–	–
340	2	red / silver	<b>24568-380</b>	–	–
160	2.5	red	–	<b>64568-096</b>	–
220	2.5	red	–	<b>64568-098</b>	–

### Accessories

Retention screw, PU 100 pieces; Torque max. 0.2 Nm 	<b>24560-141</b>	–	<b>24560-141</b>
ESD clip, PU 50 pieces	<b>24560-255</b>		<b>24560-255</b>

1) SPQ (standard pack quantity): Part number includes 1 piece, but delivery is exclusively made in standard pack quantity (SPQ); please order at least the SPQ quantity or a multiple


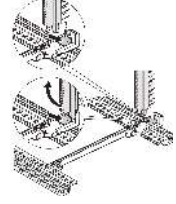


2) Part no. includes one packing unit (PU); delivery is exclusively made in PU

Description of accessories see from page 6.43

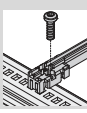
# Subracks – EuropacPRO

## GUIDE RAILS TYPE "ACCESSORY", ONE-PIECE, GROOVE WIDTH 2 MM AND 2.5 MM

### ORDER INFORMATION

			Guide rails Type Accessory		Type "Accessory" with DIN connector mounting	Type Accessory, strengthened	for heavy modules, Al extrusion, silver, robust version
<b>Assembly</b> - can be clipped into Al extruded horizontal rails - can be clipped into 1.5 mm thick plates  <b>Storage temperature</b> from -40 °C ... +130 °C							
			up to 280 mm length, PC, UL 94 V-0; > 280 mm length, multi-piece, end piece PC, UL 94 V-0, middle section Al extrusion		PBT, UL 94 V-0, connector is bolted directly onto the guide rails, only suitable for euroboards 100 x 160 mm or 100 x 220 mm	PC, UL 94 V-0, red; support beam of guide rails adds to strengthening	Al extrusion; is screwed to horizontal rail "heavy" with retention screws
Board length mm	Groove width mm	Colour	PU 10 pieces <sup>2)</sup>	1 piece (SPQ 50)	PU 10 pairs <sup>2)</sup>	1 piece (SPQ 50)	1 piece (SPQ 10) <sup>1)</sup>
100	2	red	-	<b>64560-082</b>	-	-	-
160	2	red	<b>24568-363</b>	<b>64568-005</b>	24560-274	<b>64568-076</b>	-
160	2	grey/silver	-	<b>64568-055</b>	24560-276	-	<b>34562-881</b>
220	2	red	<b>24568-364</b>	<b>64568-006</b>	24560-275	<b>64568-078</b>	-
220	2	grey/silver	-	<b>64568-166</b>	24560-277	-	<b>34562-882</b>
280	2	red/silver	<b>24568-381</b>	-	-	<b>64568-080</b>	<b>34562-883</b>
340	2	red/silver	<b>24568-382</b>	-	-	-	<b>34562-884</b>
400	2	red/silver	-	-	-	-	<b>34562-885</b>
160	2.5	red/silver	-	<b>64568-100</b>	-	<b>64568-118</b>	<b>34564-881</b>
220	2.5	red/silver	-	<b>64568-102</b>	-	<b>64568-119</b>	<b>34564-882</b>
280	2.5	red/silver	-	-	-	<b>64568-120</b>	<b>34564-883</b>
340	2.5	silver	-	-	-	-	<b>34564-884</b>
400	2.5	silver	-	-	-	-	<b>34564-885</b>

### Accessories

Retention screw, PU 100 pieces; torque max. 0.2 Nm		<b>24560-141</b>	<b>24560-141</b>	<b>24560-141</b>	<b>24560-141</b>	<b>24560-157</b>
ESD clip, PU 50 pieces		<b>24560-255</b>	<b>24560-255</b>	<b>24560-255</b>	<b>24560-255</b>	-
Board locking C, red, PU 10 pieces		<b>24560-377</b>	<b>24560-377</b>	<b>24560-377</b>	<b>24560-377</b>	-
Board handle C, red, PU 10 pieces		<b>24560-378</b>	<b>24560-378</b>	<b>24560-378</b>	<b>24560-378</b>	-
Identification strips for board handle, red, PU 1 sheet = 438 pieces		<b>60817-228</b>	<b>60817-228</b>	<b>60817-228</b>	<b>60817-228</b>	-
Coding see page			6.43			-

1) SPQ (standard pack quantity): Part number includes 1 piece, but delivery is exclusively made in standard pack quantity (SPQ); please order at least the SPQ quantity or a multiple


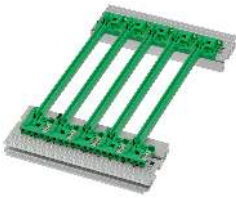
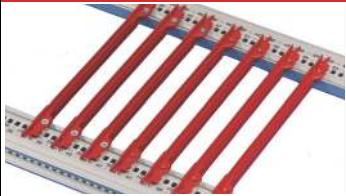
2) Part no. includes one packing unit (PU); delivery is exclusively made in PU

Description of accessories see from page 6.43

# Subracks – EuropacPRO

## GUIDE RAILS FOR COMPACTPCI, VME64X WITH CODING, 4.4" PCBs, GROOVE WIDTH 2 MM AND 2.5 MM

### ORDER INFORMATION

			Type <b>with Coding</b> , for CompactPCI, VME64x application. In accordance with IEEE 1101.10 and IEC 60297-3-103		Type <b>with Coding</b> , 0.1" OFFSET for power supply units. In accordance with IEEE 1101.10 and IEC 60297-3-103		Type. <b>4.4"</b> PCBs	
<b>Assembly</b> - can be clipped into Al extruded horizontal rails - can be clipped into 1.5 mm thick plates  <b>Storage temperature</b> from -40 °C ... 130 °C								
			One-piece for groove width 2 mm, PC, UL 94 V-0; multi-piece at groove width 2,5 mm, end-piece PC, UL 94 V-0, center piece Al profile	PC, UL 94 V-0	PC, UL 94 V-0, for installation of power supplies in CompactPCI systems or plug-in units with SMD placement		One-piece, PBT, UL 94 V-0; for 4.4" PCBs or drive unit modules	
Board length	Groove width	Colour	PU 10 pieces	1 piece (SPQ 50) <sup>1)</sup>	PU 10 pieces	1 piece (SPQ 50) <sup>1)</sup>	PU 10 pieces	1 piece (SPQ 50) <sup>1)</sup>
mm	mm	mm						
70	2	red	<b>24568-357</b>	<b>64568-085</b>	-	-	-	-
70	2	grey	<b>24568-360</b>	<b>64568-086</b>	-	-	-	-
160	2	red	<b>24568-356</b>	<b>64568-089</b>	-	-	<b>24560-361</b>	<b>64560-143</b>
160	2	grey	<b>24568-358</b>	<b>64568-090</b>	-	-	-	-
160	2	green	-	-	<b>24568-359</b>	<b>64568-071</b>	-	-
220	2	red	-	<b>64568-091</b>	-	-	<b>24560-362</b>	<b>64560-144</b>
220	2	grey	-	<b>64568-092</b>	-	-	-	-
220	2	green	-	-	-	<b>64568-072</b>	-	-
160	2.5	red	-	<b>64568-109</b>	-	-	-	<b>64560-145</b>
160	2.5	grey	-	<b>64568-110</b>	-	-	-	-
220	2.5	red	-	<b>64568-111</b>	-	-	-	<b>64560-146</b>
220	2.5	grey	-	<b>64568-112</b>	-	-	-	-
280	2.5	red / silver	<b>24568-331</b>	-	-	-	-	-
280	2.5	grey / silver	<b>24568-341</b>	-	-	-	-	-
340	2.5	red / silver	<b>24568-332</b>	-	-	-	-	-
340	2.5	grey / silver	<b>24568-342</b>	-	-	-	-	-

### Accessories

ESD clip, PU 50 pieces	<b>24560-255</b>	<b>24560-255</b>	-	-	-	-
ESD clips, for alignment pin, PU 50 pieces	<b>24560-256</b>	<b>24560-256</b>	<b>24560-256</b>	<b>24560-256</b>	-	-
Retention screw, PU 100 pieces; torque max. 0.2 Nm	<b>24560-141</b>	<b>24560-141</b>	<b>24560-141</b>	<b>24560-141</b>	<b>24560-158</b>	<b>24560-158</b>
Coding peg, PU 100 pieces	<b>20817-501</b>	<b>20817-501</b>	<b>20817-501</b>	<b>20817-501</b>	-	-

1) SPQ (standard pack quantity): Part number includes 1 piece, but delivery is exclusively made in standard pack quantity (SPQ); please order at least the SPQ quantity or a multiple




2) Part no. includes one packing unit (PU); delivery is exclusively made in PU

Description of accessories see from page 6.43

# Subracks – EuropacPRO

## GUIDE RAILS, MULTI-PIECE, GROOVE WIDTH 2 MM

### ORDER INFORMATION

			For plug-in units and modules standard type		Accessories type		For 4.4" PCBs			
<p><b>PCBs:</b> Fixed lengths for 160, 220, 280, 340 mm; length 1000 mm for special dimensions</p> <p><b>Mounting:</b> pluggable into horizontal rails</p> <p><b>Storage temperature :</b> End piece -40°C ... +130°C PVC profile 0°C ... +60°C</p>			 <p>06106004</p> <p>end piece, PBT, UL 94 V-0, middle section Al extrusion</p>		 <p>06106005</p> <p>end piece, PBT, UL 94 V-0, middle section plastic extrusion Al extrusion</p>		 <p>06106006</p> <p>end piece, PBT, UL 94 V-0, middle section Al extrusion</p>		<p>end piece, PBT, UL 94 V-0, middle section plastic extrusion (PVC, RAL 7035)</p>	
Description	Length mm	Groove width mm	1 piece (SPQ 10) <sup>1)</sup>	1 piece (SPQ 10) <sup>1)</sup>	1 piece (SPQ 10) <sup>1)</sup>	1 piece (SPQ 10) <sup>1)</sup>	1 piece (SPQ 10) <sup>1)</sup>	1 piece (SPQ 10) <sup>1)</sup>	1 piece (SPQ 10) <sup>1)</sup>	
End piece, red, 1 pair		2	<b>64560-004</b>	<b>64560-004</b>	<b>64560-008</b>	<b>64560-008</b>	<b>64560-057</b>	<b>64560-057</b>	<b>64560-057</b>	
Al extrusion, for 160 mm board length	95	2	<b>34560-891</b>	<b>34564-891</b>	<b>34560-891</b>	<b>34564-891</b>	<b>34560-891</b>	<b>34564-891</b>	<b>34564-891</b>	
Al extrusion, for 220 mm board length	155	2	<b>34560-892</b>	<b>34564-892</b>	<b>34560-892</b>	<b>34564-892</b>	<b>34560-892</b>	<b>34564-892</b>	<b>34564-892</b>	
Al extrusion, for 280 mm board length	215	2	<b>34560-893</b>	<b>34564-893</b>	<b>34560-893</b>	<b>34564-893</b>	<b>34560-893</b>	<b>34564-893</b>	<b>34564-893</b>	
Al extrusion, for 340 mm board length	275	2	<b>34560-894</b>	–	<b>34560-894</b>	–	<b>34560-894</b>	–	–	
Al extrusion, for any board length	1000	2	<b>34560-900</b>	–	<b>34560-900</b>	–	<b>34560-900</b>	–	–	
Plastic extrusion, for any board length	1000	2	–	<b>34564-900</b>	–	<b>34564-900</b>	–	<b>34564-900</b>	<b>34564-900</b>	

### Accessories

ESD clip, PU 50 pieces	<b>24560-255</b>	<b>24560-255</b>	<b>24560-255</b>	<b>24560-255</b>	–	–
Retention screw, PU 100 pieces; torque max. 0.2 Nm	<b>24560-141</b>	<b>24560-141</b>	<b>24560-141</b>	<b>24560-141</b>	<b>24560-158</b>	<b>24560-158</b>
Board locking C, red, PU 10 pieces	–	–	<b>24560-377</b>	<b>24560-377</b>	–	–
Board handle C, red, PU 10 pieces	–	–	<b>24560-378</b>	<b>24560-378</b>	–	–
Identification strips for board handle, red, PU 1 sheet = 438 pieces	–	–	<b>60817-228</b>	<b>60817-228</b>	–	–
Coding see page	–	–	see page 6.43		–	–

1) SPQ (standard pack quantity): Part number includes 1 piece, but delivery is exclusively made in standard pack quantity (SPQ); please order at least the SPQ quantity or a multiple

2) Part no. includes one packing unit (PU); delivery is exclusively made in PU

Description of accessories see from page 6.43

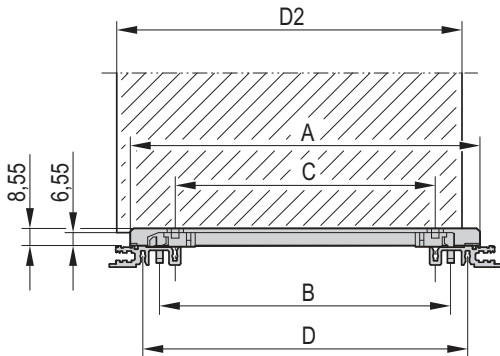
### NOTE

- Strengthening for middle section (plastic extrusion) available on request

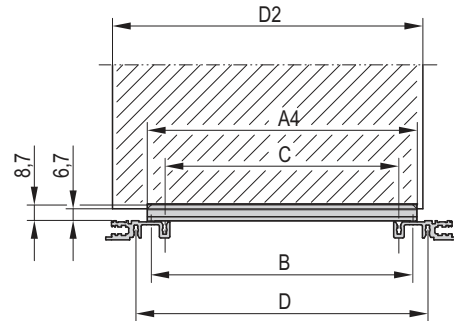
# Subracks – EuropacPRO

## DIMENSION DRAWINGS OF GUIDE RAILS

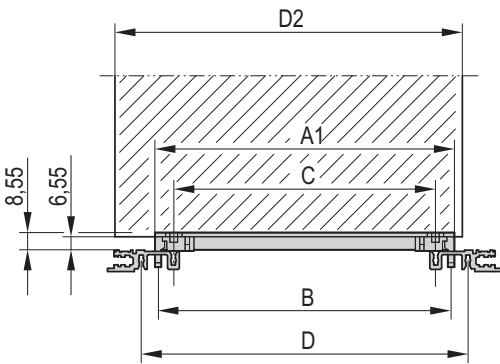
### Standard



### Robust version

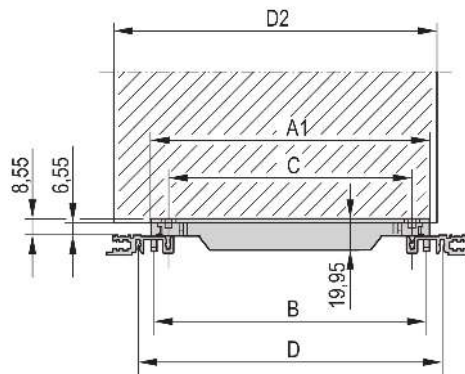


### For accessories



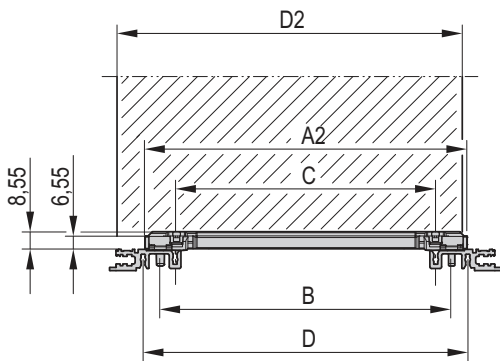
bza45808

### For accessories, strengthened



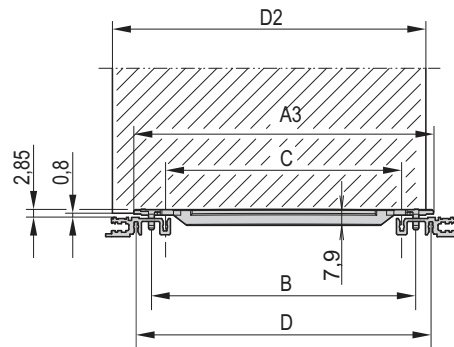
06105074

### CompactPCI, VME64x



bza45808

### 4.4" (111.7 mm)



06105068

06105069

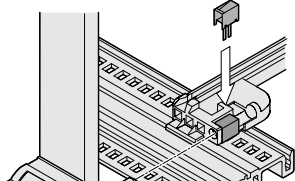

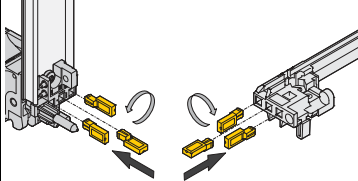
Dimensions table									
Board length		Dimensions							
L	A	A1	A2	A3	A4	B	C	D	
mm	mm	mm	mm	mm	mm	mm	mm	mm	mm
70	71.5	47.9	59.39	63	49	45	30	60	
100	101.5	77.9	89.39	93	79	75	60	90	
160	161.5	137.9	149.39	153	139	135	120	150	
220	221.5	197.9	209.39	213	199	195	180	210	
280	281.5	257.9	269.39	273	259	255	240	270	
340	341.5	317.9	322.39	333	319	315	300	330	
400	401.5	377.9	389.39	393	379	375	360	390	

A, A1, A2, A3, A4: Length of rail  
 B: Pitch of snap-in fixing  
 C: Pitch of guide rail retention screws  
 D: Pitch of horizontal rail retention screws

# Subracks – EuropacPRO

## GUIDE RAIL ACCESSORIES

### ORDER INFORMATION

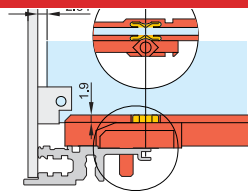
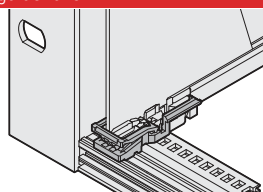
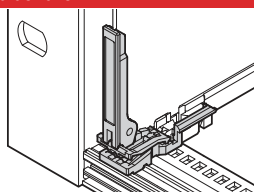
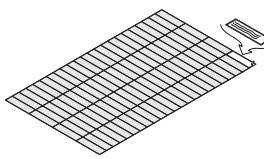
		ESD clips, CompactPCI/VME 64 alignment pin for guide rails	Coding for subracks	
			Keying/coding block for guide rails accessory type	Keying/coding for CompactPCI, VME64x handles to IEEE 1011.10 and IEC 60297-3-103
		 <p>06103052</p> <p>Spring steel, tin-plated, ESD clip, for alignment pin in accordance with IEEE; can be plugged into the guide rails with coding and into the keying/coding block; provides conductive contact between the alignment pin of the insertion/extractor handle (IEL or IET handle) and the horizontal rail</p>	 <p>PC, UL 94 V-0, keying/coding block is clipped into the horizontal rail next to the guide rail; please order keying/coding pegs separately</p>	 <p>04612052</p> <p>Keying/coding peg, PC, UL 94 V-0, RAL 7035 The keying/coding pegs prevent plug-in units to be mounted in wrong slots. They are inserted in the chambers of the codable card guides as well as in the insertion/extractor handles IEL or IET (4 possible positions), resulting in 64 codings per card guide; when coding the upper and lower card guide, 4096 codings will result;</p>
Assembly	Colour	PU 50 pieces	1 piece (SPQ 50)	PU 100 pieces
above	red	-	<b>34568-232</b>	-
	grey	-	<b>34568-233</b>	<b>20817-501</b>
	silver	<b>24560-256</b>	-	-
below	red	-	<b>34568-234</b>	-
	grey	-	<b>34568-235</b>	<b>20817-501</b>
	silver	<b>24560-256</b>	-	-

1) SPQ (standard pack quantity): Part number includes 1 piece, but delivery is exclusively made in standard pack quantity (SPQ); please order at least the SPQ quantity or a multiple

2) Part no. includes one packing unit (PU); delivery is exclusively made in PU

## GUIDE RAIL ACCESSORIES

### ORDER INFORMATION

		ESD clips for guide rails	Board locking C for PCBs without front panel; for accessory type guide rails	PCB handle C for board locking; for accessory type guide rails	Identification strips
		 <p>04503050</p> <p>Spring steel, tin-plated, provides conductive contact between board and horizontal rail, on both the solder side and the component side</p>	 <p>04805050</p> <p>PBT, UL 94 V-0, red, to fix the PCB in the subrack (also slot 1), can also be used without board handle, minimum distance 3 HP</p>	 <p>04805051</p> <p>PBT, UL 94 V-0, red, insertion/extraction function with connection to board locking (also slot 1), mounting directly behind front panel (above and below), minimum distance 3 HP</p>	 <p>06108076</p> <p>Polyester film, 31 x 4 mm, self-adhesive, white/matt (1 A4 sheet contains 438 pieces)</p>
Assembly	Colour	silver	red	red	white/matt
mm		PU 50 pieces	PU 10 pieces	PU 10 pieces	1 piece
above/below		<b>24560-255</b>	<b>24560-377</b>	<b>24560-378</b>	<b>60817-228</b>

# Subracks – EuropacPRO

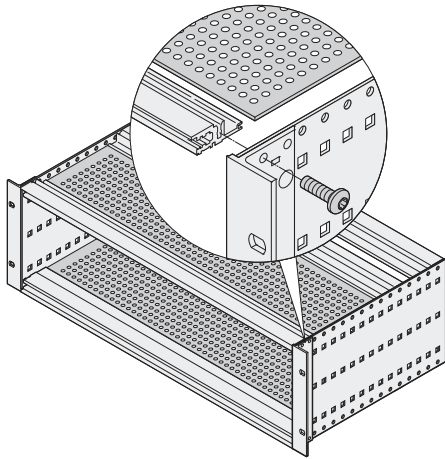
## SHIELDING FOR TOP AND BOTTOM

Cover plates can be used for electromagnetic shielding (with EMC contact springs) or as mechanical protection (without EMC springs)

### Cover plates for mechanical protection

- Cover plates are inserted into the grooves of the front and rear horizontal rails, type L "light"

see page 6.45



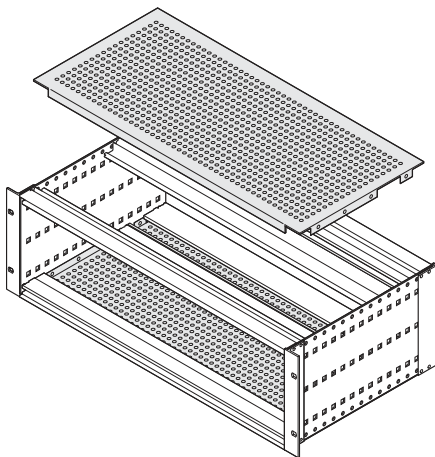
06108077

### Cover plates with EMC shielding and mechanical protection

#### EMC cover plates for top and bottom

- Inserted in the groove of the front and rear horizontal rails; shielding with contact springs, lateral contact by bolting the bracket to the side panel
- Used when standard-depth PCBs (160, 220, 280, ...) are fitted

see page 6.46

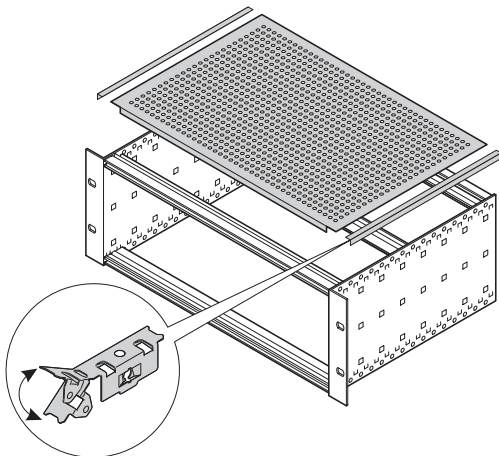


06102084

#### Universal EMC cover plates for top and bottom

- Inserted in the groove of the front and rear horizontal rails; shielding with contact springs, lateral contact by bolting to the side panel with special contact springs
- Used when PCBs with special dimensions are fitted

see page 6.47



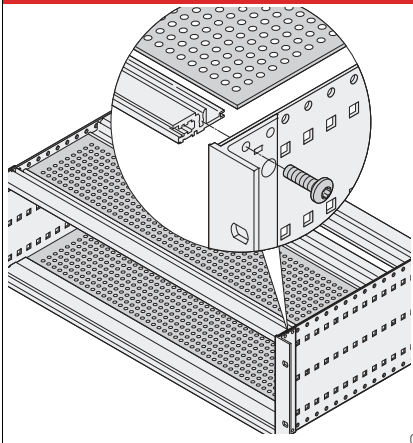
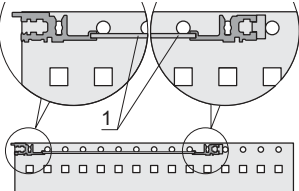
06105082



# Subracks – EuropacPRO

## COVER PLATES FOR MECHANICAL PROTECTION (INSERTION INTO HORIZONTAL RAIL TYPE L)

### ORDER INFORMATION

			Cover plates for insertion into horizontal rail type L
			
			<p>Perforated Al plate, 1.2 mm, hole diameter 3.8 mm, Al, untreated, perforation degree 60 %; for insertion into the groove of the light horizontal rails (type L)</p>
Width HP	Depth mm	Application	PU 1 pair
42	175	160 mm board depth	<b>24561-031</b>
63	175	160 mm board depth	<b>24561-041</b>
84	175	160 mm board depth	<b>24561-051</b>
84	235	220 mm board depth	<b>24561-052</b>

### NOTE

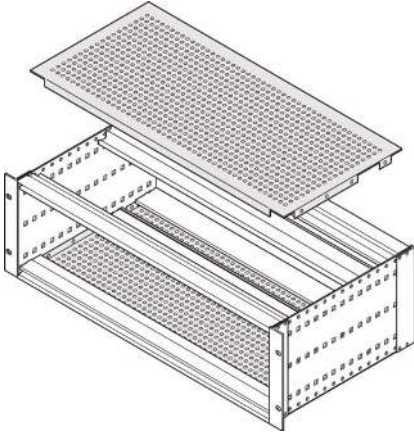
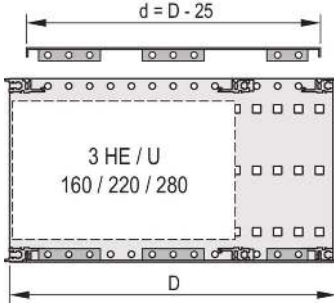
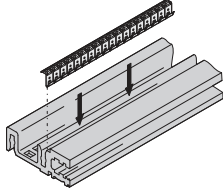
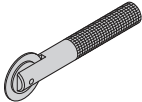
- Other dimensions on request

# Subracks – EuropacPRO

## EMC COVER PLATES AND MECHANICAL PROTECTION

- Cover plate for bolting to side panel
- Used when standard-depth PCBs (160, 220, 280, ...) are fitted

### ORDER INFORMATION

			Cover plate for bolting to side panel	Stainless steel EMC gasket, between cover plate and horizontal rail	
			 <p>Al, 1.0 mm, hole diameter 4.0 mm, passivated, perforation degree 58 %, incl. fixing screws; for shielding 4 stainless steel EMC gaskets are required per subrack</p>	 <p>stainless steel EMC gasket, clips into the horizontal rail and forms the contact with the cover plate; suitable for all horizontal rails</p>	
Width HP	Depth mm	Application	PU 1 pair	PU 10 pieces	PU 100 pieces
42	175	160 mm board depth	<b>24560-064</b>	<b>24560-241</b>	-
42	235	160, 220 mm board depth	<b>24560-065</b>		
42	275	160, 220 mm board depth CompactPCI (275 mm)	<b>24560-061</b>		
42	277.75	160, 220 mm board depth VME64x (277.75 mm)	<b>24579-090</b>		
42	295	160, 220, 280 mm board depth	<b>24560-066</b>		
63	175	160 mm board depth	<b>24560-071</b>	<b>24560-243</b>	-
63	235	160, 220 mm board depth	<b>24560-072</b>		
63	275	160, 220 mm board depth CompactPCI (275 mm)	<b>24560-062</b>		
63	295	160, 220, 280 mm board depth	<b>24560-073</b>		
84	175	160 mm board depth	<b>24560-078</b>		
84	235	160, 220 mm board depth	<b>24560-079</b>		
84	275	160, 220 mm board depth CompactPCI (275 mm)	<b>24560-063</b>		
84	277.75	160, 220 mm board depth VME64x (277.75 mm)	<b>24579-092</b>		
84	295	160, 220, 280 mm board depth	<b>24560-080</b>		
84	355	160, 220, 280 mm board depth	<b>24560-081</b>		
84	415	160, 220, 280 mm board depth	<b>24560-082</b>		
84	475	160, 220, 280 mm board depth	<b>24560-083</b>		
Assembly tool, for EMC gasket, stainless steel (horizontal rails), 1 piece 			-	<b>24560-271</b>	

### NOTE

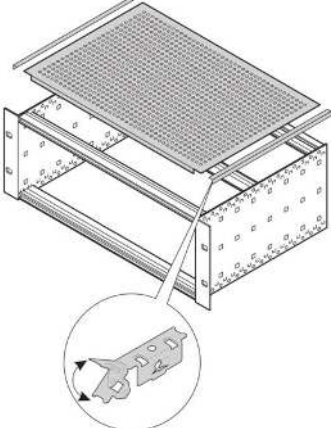
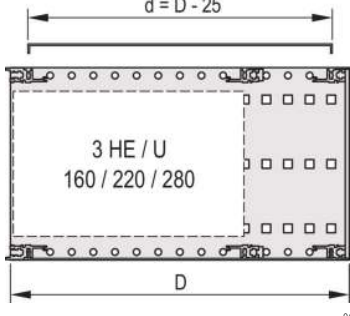
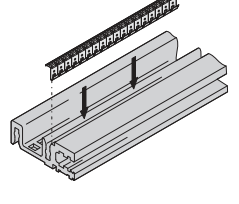
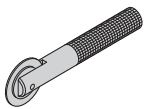
- Cover plates without perforation available on request

# Subracks – EuropacPRO

## UNIVERSAL EMC COVER PLATES AND MECHANICAL PROTECTION

- Used when PCBs with special dimensions are fitted

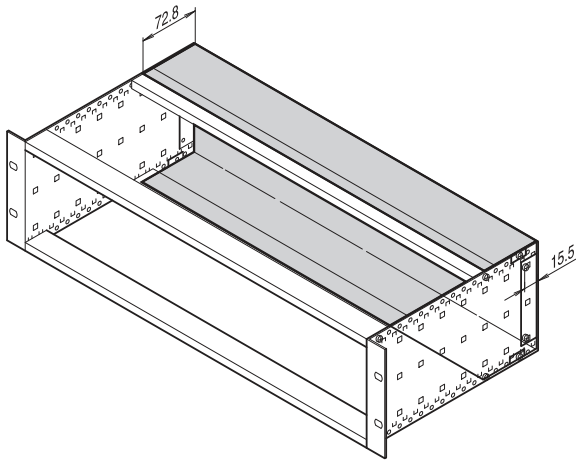
### ORDER INFORMATION

			Universal cover plate		Stainless steel EMC gasket, between cover plate and horizontal rail	
						
			<p>Al, 1.0 mm, hole diameter 4.0 mm, passivated, perforation degree 58 %, <b>incl. lateral EMC sealing</b>, incl. fixing screws.</p> <p>Torque moment for fastening screws = 0.9 Nm</p>		<p>Stainless steel EMC gasket, clips into the horizontal rail and forms the contact with the cover plate; suitable for all types of horizontal rails</p>	
<p>06105082</p>			<p>06108079</p>		<p>06106052</p>	
Width HP	Depth mm	Application	1 pair		PU 10 pieces	PU 100 pieces
42	175	160 mm board depth	<b>24560-031</b>		<b>24560-241</b>	-
42	235	160, 220 mm board depth	<b>24560-032</b>			
42	295	160, 220, 280 mm board depth	<b>24560-033</b>			
63	175	160 mm board depth	<b>24560-041</b>		<b>24560-243</b>	-
63	235	160, 220 mm board depth	<b>24560-042</b>			
63	295	160, 220, 280 mm board depth	<b>24560-043</b>			
84	175	160 mm board depth	<b>24560-051</b>		<b>24560-245</b>	<b>24560-246</b>
84	235	160, 220 mm board depth	<b>24560-052</b>			
84	295	160, 220, 280 mm board depth	<b>24560-053</b>			
84	355	160, 220, 280 mm board depth	<b>24560-054</b>			
84	415	160, 220, 280 mm board depth	<b>24560-055</b>			
84	475	160, 220, 280 mm board depth	<b>24560-056</b>			
<p>Assembly tool, for EMC gasket, stainless steel (horizontal rails), 1 piece</p> 			-		<b>24560-271</b>	

# Subracks – EuropacPRO

## COVER/SHIELDING TO FRONT AND REAR

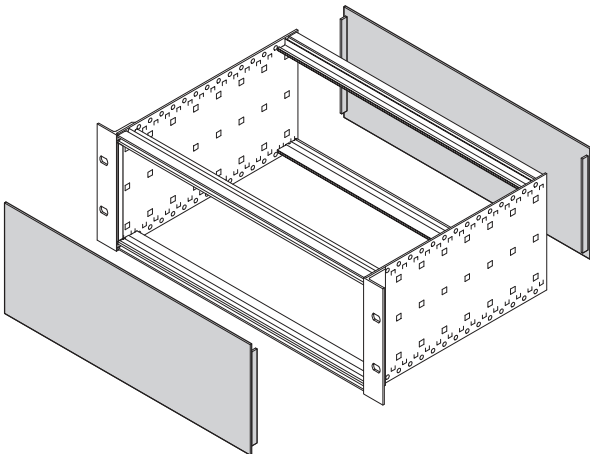
- The front and rear sides of the subrack can be shielded by a hinged front panel or by a fixed front panel and 19" brackets
- The rear can be shielded with a front panel and a corner profile



BZA45814

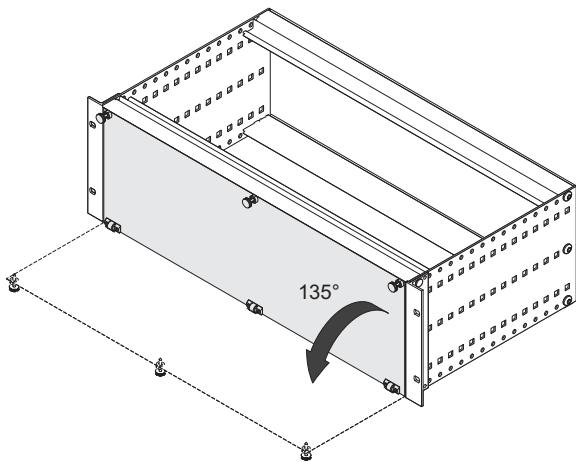
### Rear hood

### Front panel for front and rear



06112089

### Front panel, hinged/pivoted

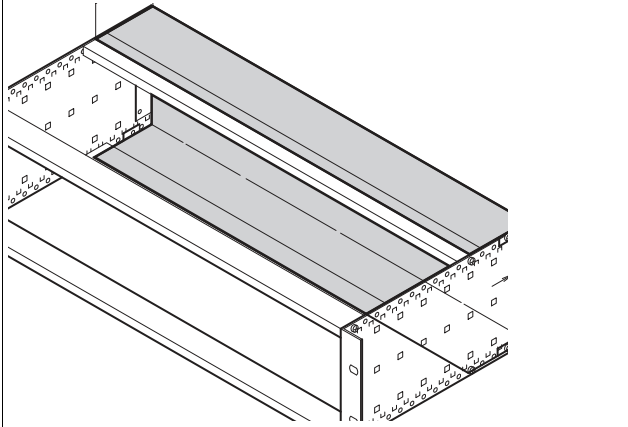
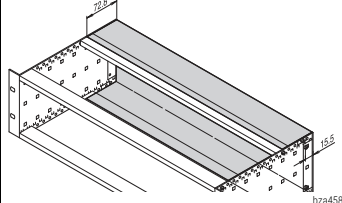
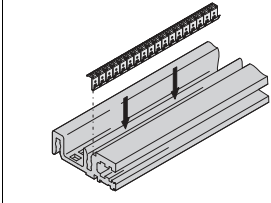
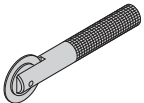


06112090

# Subracks – EuropacPRO

## REAR HOOD FOR 3 U AND 6 U SUBRACKS (FOR STAINLESS STEEL EMC GASKET)

### ORDER INFORMATION

		Rear hood	Stainless steel EMC gasket, between cover plate and horizontal rail	
 <p style="text-align: right; font-size: small;">bza45814</p>		 <p style="text-align: right; font-size: small;">bza45819</p> <p>Al, 1 mm, clear passivated; 60 mm additional side panel depth required (board depth + 60 mm); for shielding please order EMC gasket for horizontal rail separately; cannot be used simultaneously with rear corner profile</p>	 <p style="text-align: right; font-size: small;">06106052</p> <p>stainless steel EMC gasket, clips into the horizontal rail and forms the contact with the cover plate; suitable for all horizontal rails</p>	
Height	Width	1 piece	PU 10 pieces	PU 100 pieces
U	HP			
3	42	<b>34561-750</b>	<b>24560-241</b>	–
3	84	<b>34561-752</b>	<b>24560-245</b>	<b>24560-246</b>
6	63	<b>34561-763</b>	<b>24560-243</b>	–
6	84	<b>34561-764</b>	<b>24560-245</b>	<b>24560-246</b>
Torx panhead screw, M4 × 6, St, zinc-plated, PU 100 pieces		<b>24560-135</b>	–	
Assembly tool, for EMC gasket, stainless steel (horizontal rails), 1 piece		–	<b>24560-271</b>	
				


### NOTE

- Other dimensions of rear hood available on request

# Subracks – EuropacPRO

## FRONT/REAR PANELS, UNSHIELDED

### ORDER INFORMATION

			Front panel					
			pre-anodised, cut edges plain		anodised		Front anodised, rear iridescent green chromated	
 04292001			Al, 2.5 mm		Al, 2.5 mm		Al, 2.5 mm	
Height U	Height mm	Width HP	1 piece	1 piece (SPQ 5) <sup>1)</sup>	1 piece	1 piece (SPQ 5) <sup>1)</sup>	1 piece	1 piece (SPQ 5) <sup>1)</sup>
1	44.45	28	-	-	-	-	<b>20850-423</b>	-
1	44.45	42	-	-	-	-	<b>20850-424</b>	-
1	44.45	63	-	-	-	-	<b>20850-425</b>	-
1	44.45	84	-	-	-	-	<b>20850-426</b>	-
2	84.0	84	<b>30818-271</b>	-	<b>30807-416</b>	-	<b>30847-461</b>	-
3	128.4	2	-	<b>30810-433</b>	-	<b>30810-432</b>	-	<b>30847-470</b>
3	128.4	3	-	<b>30818-272</b>	-	<b>30807-508</b>	-	<b>30847-471</b>
3	128.4	4	-	<b>30818-273</b>	-	<b>30807-481</b>	-	<b>30838-043</b>
3	128.4	5	-	<b>30818-274</b>	-	<b>30807-510</b>	-	<b>30838-044</b>
3	128.4	6	-	<b>30818-275</b>	-	<b>30807-482</b>	-	<b>30838-045</b>
3	128.4	7	-	<b>30818-276</b>	-	<b>30807-509</b>	-	<b>30838-046</b>
3	128.4	8	-	<b>30818-277</b>	-	<b>30807-484</b>	-	<b>30838-047</b>
3	128.4	10	-	<b>30818-279</b>	-	<b>30807-483</b>	-	<b>30838-049</b>
3	128.4	12	-	<b>30818-281</b>	-	<b>30807-485</b>	-	<b>30838-051</b>
3	128.4	14	-	<b>30818-282</b>	-	<b>30807-501</b>	-	<b>30838-053</b>
3	128.4	21	-	<b>30818-289</b>	-	<b>30807-487</b>	-	<b>30838-060</b>
3	128.4	28	-	<b>30818-296</b>	-	<b>30807-496</b>	-	<b>30838-067</b>
3	128.4	42	<b>30818-310</b>	-	<b>30807-494</b>	-	<b>30838-081</b>	-
3	128.4	63	<b>30818-331</b>	-	<b>30808-067</b>	-	<b>30838-102</b>	-
3	128.4	84	<b>30818-352</b>	-	<b>30807-506</b>	-	<b>30838-123</b>	-
4	172.9	42	-	-	-	-	<b>30847-463</b>	-
4	172.9	63	-	-	-	-	<b>30847-464</b>	-
4	172.9	84	<b>30818-434</b>	-	<b>30807-596</b>	-	<b>30847-465</b>	-
6	261.8	2	-	<b>30818-747</b>	-	<b>30818-741</b>	-	<b>30847-472</b>
6	261.8	4	-	<b>30818-518</b>	-	-	-	<b>30838-124</b>
6	261.8	5	-	-	-	-	-	<b>30838-125</b>
6	261.8	6	-	-	-	-	-	<b>30838-126</b>
6	261.8	7	-	-	-	-	-	<b>30838-127</b>
6	261.8	8	-	<b>30818-522</b>	-	-	-	<b>30838-128</b>
6	261.8	10	-	<b>30818-524</b>	-	<b>30807-753</b>	-	<b>30838-130</b>
6	261.8	12	-	<b>30818-526</b>	-	-	-	<b>30838-132</b>
6	261.8	14	-	<b>30818-528</b>	-	<b>30807-758</b>	-	<b>30838-134</b>
6	261.8	16	-	<b>30818-530</b>	-	-	-	<b>30838-136</b>
6	261.8	21	-	<b>30818-535</b>	-	<b>30807-757</b>	-	<b>30838-141</b>
6	261.8	28	-	<b>30818-542</b>	-	<b>30807-766</b>	-	<b>30838-148</b>
6	261.8	42	<b>30818-556</b>	-	<b>30807-764</b>	-	<b>30838-162</b>	-
6	261.8	63	<b>30818-577</b>	-	<b>30807-771</b>	-	<b>30838-183</b>	-
6	261.8	84	<b>30818-598</b>	-	<b>30807-776</b>	-	<b>30838-204</b>	-
9	395.1	4	-	-	-	-	-	<b>30847-476</b>
9	395.1	8	-	-	-	-	-	<b>30847-480</b>
9	395.1	10	-	-	-	-	-	<b>30847-482</b>
9	395.1	12	-	-	-	-	-	<b>30847-484</b>
9	395.1	84	-	-	-	-	<b>30847-556</b>	-


\*Front panel assembly kits, sleeves, collar screws, quick-release fasteners see page 6.65

1) SPQ (standard pack quantity): Part number includes 1 piece, but delivery is exclusively made in standard pack quantity (SPQ); please order at least the SPQ quantity or a multiple

# Subracks – EuropacPRO

## FRONT/REAR PANELS SHIELDABLE WITH STAINLESS STEEL EMC GASKET

### ORDER INFORMATION

			Front panel			
			Front panel for shielding with EMC gasket (stainless steel)		Stainless steel EMC gasket	
 04292001			Al, 2.5 mm, front anodized, rear iridescent green chromated, 2 alignment pins pressed-in, St, stainless		inserted laterally into the grooves of the front panel, suited for temperatures above 70 °C	
Height U	Height mm	Width HP	1 piece	1 piece (SPQ 5) <sup>1)</sup>	PU 10 pieces	PU 100 pieces
2	84	84	<b>30846-588</b>	–	<b>21101-775</b>	<b>21101-776</b>
3	128.4	2	–	<b>30846-864</b>	21101-705	21101-706
3	128.4	3	–	<b>20846-425</b>		
3	128.4	4	–	<b>20846-426</b>		
3	128.4	5	–	<b>20846-427</b>		
3	128.4	6	–	<b>20846-428</b>		
3	128.4	7	–	<b>20846-429</b>		
3	128.4	8	–	<b>20846-430</b>		
3	128.4	10	–	<b>20846-431</b>		
3	128.4	12	–	<b>20846-432</b>		
3	128.4	14	–	<b>20846-433</b>		
3	128.4	21	–	<b>20846-434</b>		
3	128.4	28	–	<b>20846-436</b>		
3	128.4	42	<b>20846-437</b>	–		
3	128.4	63	<b>20846-438</b>	–		
3	128.4	84	<b>30846-676</b>	–		
4	172.9	42	<b>30846-681</b>	–	21101-713	21101-714
4	172.9	63	<b>30846-682</b>	–		
4	172.9	84	<b>30846-683</b>	–		
6	261.8	2	–	<b>30846-865</b>	21101-707	21101-708
6	261.8	4	–	<b>20846-443</b>		
6	261.8	5	–	<b>20846-444</b>		
6	261.8	6	–	<b>20846-445</b>		
6	261.8	7	–	<b>20846-446</b>		
6	261.8	8	–	<b>20846-447</b>		
6	261.8	10	–	<b>20846-448</b>		
6	261.8	12	–	<b>20846-449</b>		
6	261.8	14	–	<b>20846-450</b>		
6	261.8	16	–	<b>20846-456</b>		
6	261.8	21	–	<b>20846-451</b>		
6	261.8	28	–	<b>20846-452</b>		
6	261.8	42	<b>20846-453</b>	–		
6	261.8	63	<b>20846-454</b>	–		
6	261.8	84	<b>30846-771</b>	–		
9	395.1	84	<b>30846-859</b>	–	<b>21101-709</b>	<b>21101-710</b>
Assembly tool, for stainless steel EMC gasket					<b>24560-270</b>	


\*Front panel assembly kits, sleeves, collar screws, quick-release fasteners see page 6.65

1) SPQ (standard pack quantity): Part number includes 1 piece, but delivery is exclusively made in standard pack quantity (SPQ); please order at least the SPQ quantity or a multiple

# Subracks – EuropacPRO

## FRONT/REAR PANELS SHIELDABLE WITH TEXTILE EMC GASKET

### ORDER INFORMATION

			Front panel			
			Front panel for shielding with EMC sealing (textile)		Textile EMC gasket	
 <p>04292001</p>			Al extrusion, 2.5 mm, front anodised, rear conductive; 3, 6 U with alignment pin (not 84 HP)		textile gasket, core: foam, sleeve: textile cladding with CuNi coating, UL 94 V-0	
Height U	Height mm	Width HP	1 piece	1 piece (SPQ 5) <sup>1)</sup>	PU 10 pieces	PU 100 pieces
2	84	84	<b>20848-262</b>	–	–	<b>21101-856</b>
3	128.4	2	–	<b>30849-001</b>	<b>21101-853</b>	<b>21101-854</b>
3	128.4	3	–	<b>30849-004</b>		
3	128.4	4	–	<b>30848-354</b>		
3	128.4	5	–	<b>30848-378</b>		
3	128.4	6	–	<b>30848-380</b>		
3	128.4	7	–	<b>30848-382</b>		
3	128.4	8	–	<b>30848-356</b>		
3	128.4	10	–	<b>30848-386</b>		
3	128.4	12	–	<b>30848-358</b>		
3	128.4	14	–	<b>20848-013</b>		
3	128.4	21	–	<b>20848-020</b>		
3	128.4	28	–	<b>20848-027</b>		
3	128.4	42	<b>20848-047</b>	–		
3	128.4	63	<b>20848-068</b>	–		
3	128.4	84	<b>20848-097</b>	–		
4	172.9	28	–	<b>20848-268</b>	<b>21101-858</b>	–
4	172.9	42	<b>20848-269</b>	–		
4	172.9	63	<b>20848-270</b>	–		
4	172.9	84	<b>20848-271</b>	–		
6	261.8	2	–	<b>30849-002</b>	<b>21101-855</b>	<b>21101-856</b>
6	261.8	4	–	<b>30848-355</b>		
6	261.8	5	–	<b>30848-379</b>		
6	261.8	6	–	<b>30848-381</b>		
6	261.8	7	–	<b>30848-383</b>		
6	261.8	8	–	<b>30848-357</b>		
6	261.8	10	–	<b>30848-387</b>		
6	261.8	12	–	<b>30848-359</b>		
6	261.8	14	–	<b>20848-106</b>		
6	261.8	16	–	<b>20848-108</b>		
6	261.8	21	–	<b>20848-113</b>		
6	261.8	28	–	<b>20848-120</b>		
6	261.8	42	<b>20848-139</b>	–		
6	261.8	63	<b>20848-160</b>	–		
6	261.8	84	<b>20848-189</b>	–		
9	395.1	84	<b>20848-280</b>	–	<b>21101-859</b>	<b>21101-904</b>

•Front panel assembly kits, sleeves, collar screws, quick-release fasteners see page 6.65

1) SPQ (standard pack quantity): Part number includes 1 piece, but delivery is exclusively made in standard pack quantity (SPQ); please order at least the SPQ quantity or a multiple



# Subracks – EuropacPRO

## FRONT PANELS, HINGED AND PIVOTED

### ORDER INFORMATION

		Front panel, bottom-hinged		Front panel, pivoted
		shielded	unshielded	
				
		Al, 2.5 mm, front anodised, rear iridescent green chromated; hinge, Zn die-cast, nickel-plated; 2 x sleeve, PA; 2 x knurled screws	Al, 2.5 mm, anodised, cut edges plain; hinge, Zn die-cast, nickel-plated; 2 x sleeve, PA; 2 knurled screws M2.5 x 12.3, St, nickel-plated	Al, 2.5 mm, front anodised, rear iridescent green chromated; hinge, die-cast zinc, chrome-plated; textile EMC gasket
Height	Width	1 piece		1 piece
U	HP	1 piece		1 piece
3	28	<b>20848-608</b>	<b>20838-280</b>	–
3	42	<b>20848-599</b>	<b>20838-271</b>	–
3	63	<b>20848-600</b>	<b>20838-272</b>	–
3	84	<b>20848-601</b>	<b>20838-273</b>	<b>20848-611</b>
4	42	<b>20848-605</b>	<b>20838-277</b>	–
4	63	<b>20848-606</b>	<b>20838-278</b>	–
4	84	<b>20848-607</b>	<b>20838-279</b>	–
6	28	<b>20848-696</b>	–	–
6	42	<b>20848-602</b>	<b>20838-274</b>	–
6	63	<b>20848-603</b>	<b>20838-275</b>	–
6	84	<b>20848-604</b>	<b>20838-276</b>	<b>20848-617</b>

### NOTE

- Front panel can be removed in opened position (> 135°)

# Subracks – EuropacPRO

## SHIELDING IS REQUIRED BETWEEN THE FOLLOWING COMPONENTS OF A SUBRACK

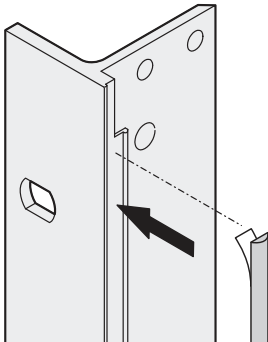
- Front panel/rear panel and horizontal rail, see page 6.55
- Front panel and 19" bracket/corner profile or in case of depth-offset installation, see page 6.55
- Cover plate/horizontal rail, see page 6.44
- Cover plate/side panel, see from page 6.44
- Horizontal rail/horizontal rail in combined mounting (3 U + 3 U and 6 U), see page 6.59
- Shielding for backplane and side panel see page 6.55

### EMC shielding concepts

- Shielding concepts in accordance with IEEE and IEC
- Shielding effectiveness has been determined in various series of measurements in accordance with IEC 61587-3 and can be found online together with the relevant standard product
- The combined use of stainless steel and textile EMC gaskets is functionally possible without any problems

### EMC shielding concept with EMC textile gaskets

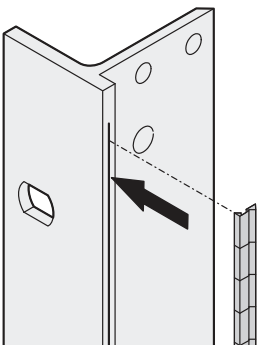
- The seal is affixed to the left-hand side of the subrack (viewed from front) or to the front panel profile, respectively
- An EMC gasket with CuNi coating assures a long-term high level of shielding, typically 40 dB at 2 GHz
- Temperature-resistant adhesive layer is protected by a removable film
- Rear shielding is obtained using front panels or a rear hood
- Temperature range -40° C to +70° C or -40° C to +85° C
- **Note:** rear hood and corner profile cannot be used simultaneously



06108073

### EMC shielding concept with stainless steel EMC gaskets

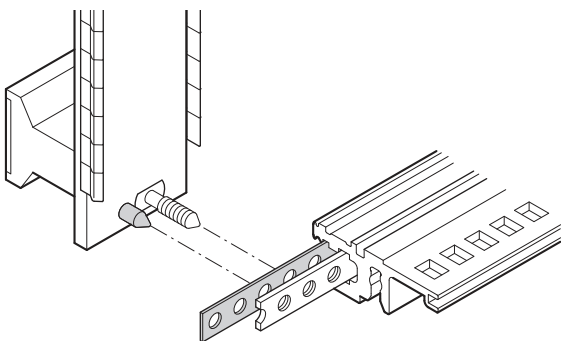
- Symmetrical arrangement of EMC gaskets on the left and right hand sides of subrack and front panel
- Shielding: typically 40 dB at 2 GHz
- Can be used for temperatures above +70° C
- **Note:** rear hood and corner profile cannot be used simultaneously



06108074

### Front panel shielding concept

- Front panels are available for textile or stainless steel EMC gasket options
- Alignment pins are pressed-in in the front panel to position the gaskets securely and to compress them evenly
- An alignment pin positions the perforated strip in the horizontal rail
- Alignment pin and perforated strip provide an optimal positioning of the shielded assemblies; the front panels are not forced sideways by the shielding elements (SCHROFF patent)

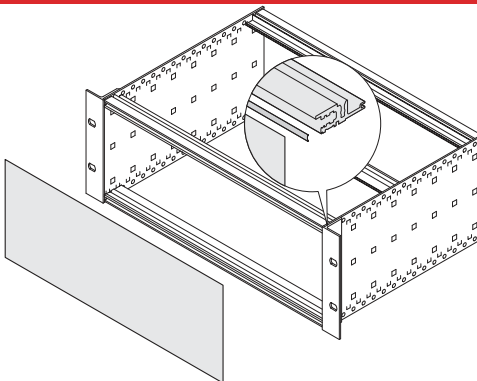
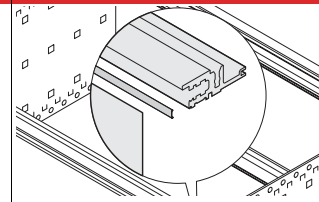


06112091

# Subracks – EuropacPRO

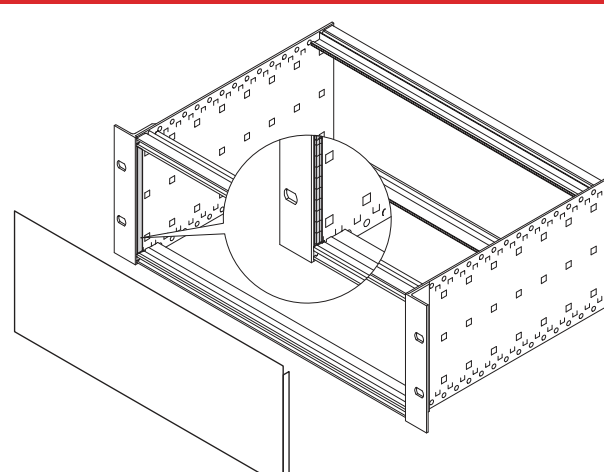
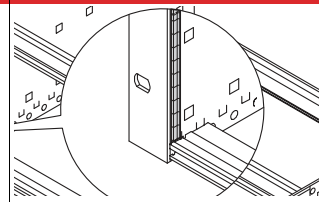
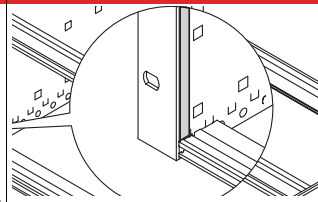
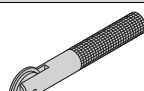
## EMC GASKETS BETWEEN FRONT/REAR PANEL AND HORIZONTAL RAIL

### ORDER INFORMATION

		Stainless steel EMC gasket between front panel/rear panel and horizontal rail	
			
06102053		stainless steel; for front and rear horizontal rails (type VT)	
Width HP	Depth mm	PU 10 pieces	PU 100 pieces
28	131.8	<b>24560-229</b>	-
42	202.9	<b>24560-231</b>	-
63	304.5	<b>24560-233</b>	-
84	416.6	<b>24560-235</b>	<b>24560-236</b>

## EMC GASKETS BETWEEN FRONT PANEL AND 19" BRACKET/CORNER PROFILE

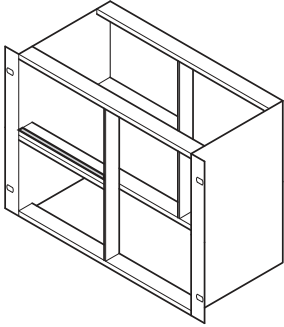
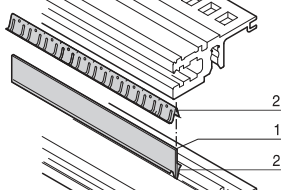
### ORDER INFORMATION

		Stainless steel EMC gasket between front panel/rear panel and 19" bracket/corner profile		Textile EMC gasket between front panel/rear panel and 19" bracket/corner profile	
					
06105077		inserted laterally into the grooves of the front panel		textile gasket, core: foam, sleeve: textile cladding with CuNi coating, UL 94 V-0	
Height U	Depth mm	PU 10 pieces	PU 100 pieces	PU 10 pieces	PU 100 pieces
3	97.5	<b>21101-705</b>	<b>21101-706</b>	<b>21101-853</b>	<b>21101-854</b>
4	142.5	<b>21101-713</b>	<b>21101-714</b>	<b>21101-858</b>	-
6	232.5	<b>21101-707</b>	<b>21101-708</b>	<b>21101-855</b>	<b>21101-856</b>
9	365.0	<b>21101-709</b>	<b>21101-710</b>	<b>21101-859</b>	<b>21101-904</b>
Assembly tool, for stainless steel EMC gasket 		<b>24560-270</b>		-	

# Subracks – EuropacPRO

## EMC GASKETS BETWEEN HORIZONTAL RAIL AND HORIZONTAL RAIL

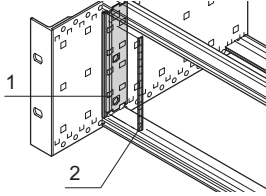
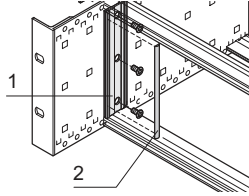
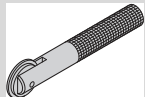
### ORDER INFORMATION

		Stainless steel EMC gasket between horizontal rail and horizontal rail	
		 <p>Item 1: cover strip, Al, 1 mm, item 2: 2 x EMC seals (stainless steel); for shielding of 2 horizontal rails positioned directly one above the other if assembly area is divided vertically</p>	
<p>Width HP</p>		<p>Depth mm</p>	
		PU 1 kit	
20	107.0	<b>24562-520</b>	
28	147.0	<b>24562-528</b>	
40	208.0	<b>24562-540</b>	
42	218.0	<b>24562-542</b>	
63	325.0	<b>24562-563</b>	
84	431.0	<b>24562-584</b>	

1) SPQ (standard pack quantity): Part number includes 1 piece, but delivery is exclusively made in standard pack quantity (SPQ); please order at least the SPQ quantity or a multiple

## EMC GASKETS BETWEEN FRONT PANEL AND SIDE PANEL (DEPTH-OFFSET INSTALLATION)

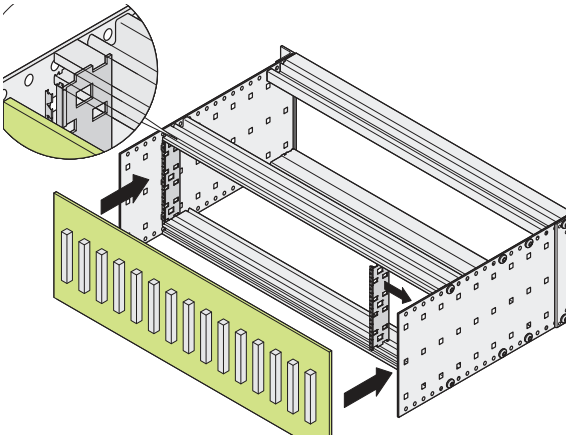
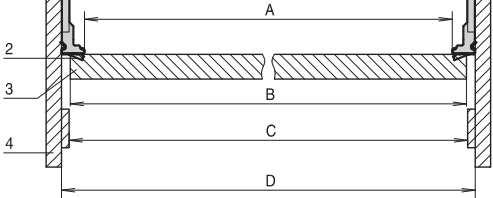
### ORDER INFORMATION

		Stainless steel EMC gasket between front panel and side panel (depth-offset installation)		Textile EMC gasket between front panel and side panel (depth-offset installation)	
					
		<p>Item 1: 2 x support profiles, Al extrusion; item 2: 2 x stainless steel EMC gasket; fixing material kit for vertical EMC shielding between depth-offset shielded front panels and side panel</p>		<p>Item 1: 2 x support profiles, Al extrusion; item 2: 1 x EMC textile gasket; fixing material kit for vertical EMC shielding between depth-offset shielded front panels and side panel</p>	
<p>Height U</p>		<p>Depth mm</p>		<p>PU 1 kit</p>	
3	97.5	<b>24562-199</b>		<b>24560-180</b>	
4	142.5	24562-299		<b>24560-280</b>	
6	187.5	<b>24562-499</b>		<b>24560-480</b>	
<p>Assembly tool, for stainless steel EMC gasket</p>		 <p><b>24560-270</b></p>		-	

# Subracks – EuropacPRO

## EMC GASKETS BETWEEN BACKPLANE AND SIDE PANEL

### ORDER INFORMATION

Stainless steel EMC gasket between backplane and side panel (depth-offset installation)	
	
	<p>2 x support profile, Al extrusion, 2 x EMC gasket (stainless steel) Fixing materials kit and user manual; for vertical EMC shielding between shielded backplane and side panel;</p> <p>dimensions (84 HP): A = 425.8 mm, B &lt; 429.9 mm, C = 429.8 mm, D = 431.8 mm</p>
Height	
U	PU 1 kit
3	<b>24561-199</b>
6	<b>24561-499</b>

- With an appropriate design the backplane can be used as shielding rear panel; for that purpose a rear horizontal rail (type L-VT or H-VT) for depth-offset installation must be used to ensure the horizontal contact
- For vertical contact the support profile can be fixed to the europacPRO side panel (depth grid 30 mm)

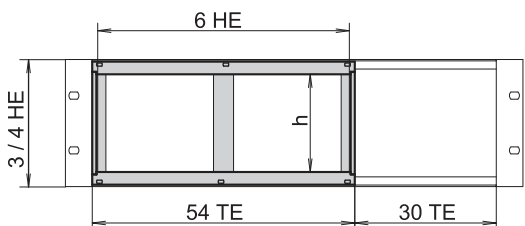
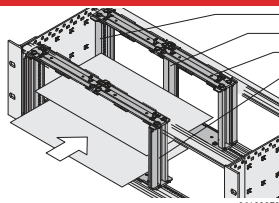
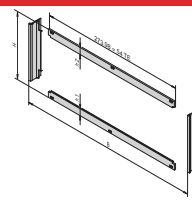
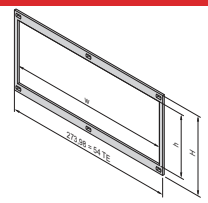



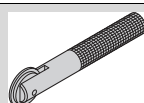
# Subracks – EuropacPRO

## SPECIAL INTERIOR MOUNTING PARTS

- Horizontal board mounting, see page 6.58
- Combined mounting: 3 U + 3 U and 6 U, see page 6.59
- Mounting plates, see page 6.60
- Central locking for PCBs, see page 6.61
- Divider plates, see page 6.61
- Air baffles, see page 6.62
- Telescopic slides, see page 6.63
- Fixing parts (bolts, nuts, assembly tools), see page 6.63

## HORIZONTAL BOARD MOUNTING IN 3 OR 4 U SUBRACK

### ORDER INFORMATION

			Horizontal board mounting in 3 or 4 U subrack		
			Board cage	Front frame for EMC shielding	Front frame, unshielded
 <p>(1 TE = 1 HP, 1 HE = 1 U)</p> <p>bpa45914</p>			 <p>06102073</p> <p>Struts, die-cast zinc; horizontal rails front and rear; threaded inserts, St, zinc-plated; fixing material kit; for horizontal mounting of double-height euroboards in 3 or 4 U high subracks/cases; 54 HP space required; <b>please order front frame for EMC shielding separately</b></p>	 <p>bpa45913</p> <p>2 horizontal covers, Al 2.5 mm, front anodised, rear iridescent green chromated; 2 vertical trims, Al extrusion, passivated; stainless steel EMC gasket; front frame provides the contact between subrack and the sub-assemblies</p>	 <p>bza43061</p> <p>Al, 2.5 mm, clear anodised; front frame with cut-out, clear internal width w = 266.35 mm</p>
Height U	Usable height h HP	Mounting variants Horizontal rail, front    Horizontal rail, rear	PU 1 kit	PU 1 kit	1 piece
3	20		<b>24564-117</b>	<b>24564-109</b>	34564-108
3	20		<b>24564-118</b>	<b>24564-109</b>	34564-109
4	28		<b>24564-217</b>	<b>24564-209</b>	<b>34564-208</b>
Assembly tool, for stainless steel EMC gasket 			-	<b>24560-270</b>	-

\* For direct backplane mounting

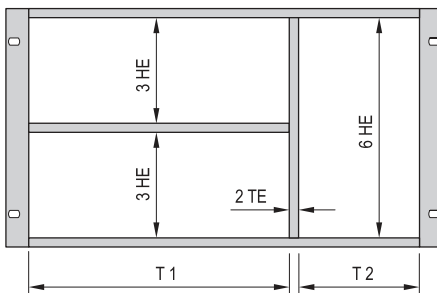
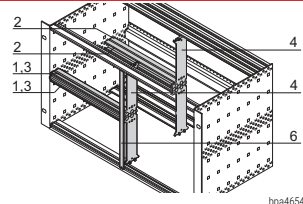
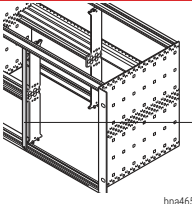
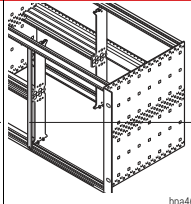
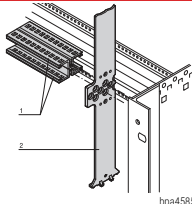
### NOTE

- Please order front frame for EMC shielding separately

# Subracks – EuropacPRO

## COMBINED MOUNTING (6 U AND 2 X 3 U ONE ABOVE THE OTHER)

### ORDER INFORMATION

	Combined mounting: horizontal and vertical subdivision (incl. front panel for stainless steel EMC gasket)	Alternative front panels for combined mounting		Splitting extrusion for combined mounting item 2
		unshielded front panel, 6 U, 2 HP item 6	front panel for textile EMC gasket, 6 U, 2 HP item 6	
 <small>bza42182</small>	 <small>bpa46549</small> <p>Item 1: 2 front horizontal rails (H-KD), Al extrusion, anodised;            item 2: 2 rear horizontal rails (AB), Al extrusion, anodised;            item 3: threaded inserts, St, zinc-plated;            item 4: Zn die-cast support members;            item 6: front panel 2 HP, 6 U, with EMC stainless steel gasket;            84:0 without items 4, 5            - Note see below 2)</p>	 <small>bpa46550</small> <p>Al, 2.5 mm, front anodised, rear iridescent green chromated</p>	 <small>bpa46550</small> <p>Al, 2.5 mm, U-profile with notch, 6 U, 2 HP</p>	 <small>bpa45857</small> <p>6 U, die-cast zinc; splitting extrusion is inserted in the grid holes of the horizontal rail; the splitting extrusion can be bolted</p>
Width pitch T1:T2 HP	PU 1 kit	1 (SPQ 5)	1 piece (SPQ 5) <sup>1)</sup>	1 piece
20:62	<b>24562-420</b>			
40:42	<b>24562-440</b>			
42:40	<b>24562-442</b>	<b>30847-472</b>	<b>30849-140</b>	<b>64560-010</b>
63:19	<b>24562-463</b>			
84:0	<b>24562-484</b>			
Torx countersunk screw M4 x 14, zinc-plated, PU 100 pieces to fix splitting extrusion/horizontal rail	-	-	-	<b>24560-145</b>
Panhead screw M2.5 x 10, St, zinc-plated, PU 100 pieces to fix horizontal rail/splitting extrusion	-	-	-	<b>24560-179</b>
Pozidrive/slotted collar screw M2.5 x 12.3, St, nickel-plated, PU 100 pieces	-	<b>21101-101</b>	<b>21101-101</b>	-
Pozidrive/slotted collar screw M2.5, black, zinc-plated, PU 100 pieces	-	<b>21101-102</b>	<b>21101-102</b>	-
Washer 2.7 x 5 x 1, PA 6, PU 100 pieces	-	<b>21101-121</b>	<b>21101-121</b>	-
Textile gasket, core: foam, sleeve: textile cladding with CuNi coating, UL 94 V-0 PU 10 pieces	-	-	<b>21101-855</b>	-

2) The following guide rails cannot be used: type "accessory", type "accessory, strengthened" and type "for 4.4" PCB"

- Subdivision of the 6 U assembly area into:
  - 2 x 3 U
  - 1 x 6 U
- Designed to accommodate euroboards (100 mm high) and double euroboards (233.35 mm high)

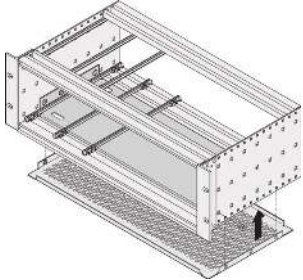
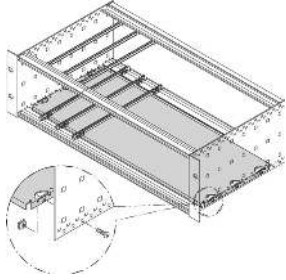
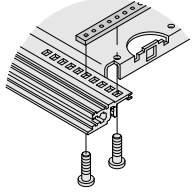
### NOTE

- Please order EMC gasketing kit for horizontal rails separately, see page 6.56
- Please order perforated strips for horizontal rails separately, see page 6.35
- Please order rear centre horizontal rail separately, see page 6.33

# Subracks – EuropacPRO

## MOUNTING PLATES

### ORDER INFORMATION

				Mounting plate can be used in combination with cover plate	Mounting plate for use <b>without cover plate</b>	Fixing strip for partial widths
				 <p>Al, 1.5 mm; mounting is only possible over the entire width between the side panels; width of mounting plate = W - 9.71 mm Torque moment for fastening screws = 1,5 Nm</p> <p style="text-align: right;"><small>108230546</small></p>	 <p>Al, 1.5 mm; for mounting over partial width, please order fixing strips separately.</p> <p>Torque moment for fastening screws = 1,5 Nm</p> <p style="text-align: right;"><small>114064773</small></p>	 <p>St, 6.0 x 2.5 mm, M2.5, zinc-plated; hole distance 5.0mm, Strip can be bolted from front to rear onto the horizontal rails; to fix the partial mounting plates</p> <p style="text-align: right;"><small>bpa46557</small></p>
Width W HP	W mm	Depth mm	Board length mm	1 piece	1 piece	1 piece
28	146.88	112.5	160	34563-001	<b>34562-745</b>	<b>30840-021</b>
28	146.88	172.5	220	<b>34563-009</b>	<b>34562-749</b>	<b>30840-033</b>
28	146.88	232.5	280	–	<b>34562-753</b>	<b>30840-045</b>
28	146.88	292.2	340	–	<b>34562-757</b>	<b>30840-057</b>
42	217.99	112.5	160	<b>34563-002</b>	<b>34562-746</b>	<b>30840-021</b>
42	217.99	172.5	220	<b>34563-014</b>	<b>34562-750</b>	<b>30840-033</b>
42	217.99	232.5	280	–	<b>34562-754</b>	<b>30840-045</b>
42	217.99	292.2	340	–	<b>34562-758</b>	<b>30840-057</b>
63	324.67	112.5	160	<b>34563-003</b>	<b>34562-747</b>	<b>30840-021</b>
63	324.67	172.5	220	<b>34563-019</b>	<b>34562-751</b>	<b>30840-033</b>
63	324.67	232.5	280	–	<b>34562-755</b>	<b>30840-045</b>
63	324.67	292.2	340	–	<b>34562-759</b>	<b>30840-057</b>
84	431.35	112.5	160	<b>34563-004</b>	<b>34562-748</b>	–
84	431.35	172.5	220	<b>34563-024</b>	<b>34562-752</b>	–
84	431.35	232.5	280	<b>34563-026</b>	<b>34562-756</b>	–
84	431.35	292.2	340	<b>34563-028</b>	<b>34562-760</b>	–
84	431.35	352.5	400	<b>34563-042</b>	<b>34562-870</b>	–
84	431.35	412.5	460	<b>34563-044</b>	<b>34562-871</b>	–
Assembly kit for mounting plate, PU 1 kit (Torx countersunk screw M4 x 5, St, zinc-plated, 16 pieces; screw M4 x 6, St, zinc-plated, 14 pieces; square nut M4, St, zinc-plated, 14 pieces)				<b>24560-184</b>	<b>24560-184</b>	–
Assembly kit for fixing strips for partial width mounting plates Torx screw M2.5 x 5, St, zinc-plated, PU 100 pieces				–	–	<b>24560-146</b>

### NOTE

- For installation and fixing of heavy components
- In addition to the mounting plate, (EMC) cover plates can also be fitted to the subrack
- The mounting plate is as wide as the subrack or system case and is fixed to the side panels
- A guide rail can be fitted on the first and last slot
- Guide rails type "4.4" and type "strengthened" cannot be used



# Subracks – EuropacPRO

## CENTRAL LOCKING

### ORDER INFORMATION

		Central locking for PCBs without front panels	
		<p>                     Item 1: central rail, Al, anodised;                      item 2: ID cardboard, white;                      item 3: transparent cover strip, plastic;                      item 4: 2 x knurled screw;                      item 5: 2 x slide nut;                      item 6: 2 x hexagon nut M2.5;                      item 7: rubber gasket;                      central locking allows joint locking of PCBs and serves as identification strip;                      can be fitted to front and rear horizontal rails,                      suitable for 84 HP width                 </p>	
Width HP 84	Length mm 426.0	1 piece <b>24560-167</b>	

## DIVIDER PLATE

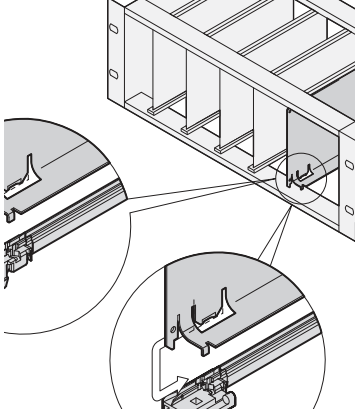
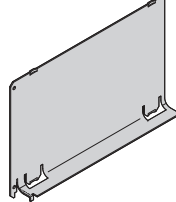
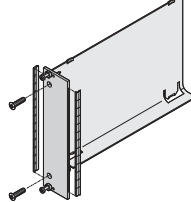
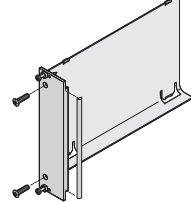
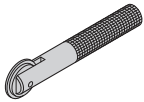
### ORDER INFORMATION

					Divider plate	
					Mounting position when stainless steel EMC gasket is used	Mounting position when textile EMC gasket is used
					Stainless steel, 1 mm, is mounted by clipping onto horizontal rail, space requirement on component side 2 mm; mounting direction varies with shielding design (EMC stainless steel or textile gasket); retrofitting the divider plate in an already-assembled subrack/case will first require dismantling of the horizontal rails; where front panels are unshielded, both mounting directions are possible	
Height U	Depth mm	A mm	B mm	H mm	PU 10 pieces	
3	160	158.3	135.0	113.5	<b>34562-761</b>	
3	220	218.3	195.0	113.5	<b>34562-762</b>	
6	160	158.3	135.0	246.9	<b>34562-763</b>	
6	220	218.3	195.0	246.9	<b>34562-764</b>	

# Subracks – EuropacPRO

## AIR BAFFLES FOR SLOTS

### ORDER INFORMATION

			Air baffle without front panel	Air baffle with front panel	
				Front panel with lateral groove for stainless steel EMC gasket	U front panel for textile EMC gasket
			 <p>Al, 1 mm, incl. fixing material kit; prevents an air short circuit in unused slot positions; is pushed into the groove of the guide rail</p>	 <p>Air baffle, Al, 1 mm; front panel, Al, 2.5 mm, front anodised, rear conductive; stainless steel EMC gasket; fixing material kit prevents an air short circuit in unused slot positions; is pushed into the groove of the guide rail</p>	 <p>Air baffle, Al, 1 mm, front panel, Al extrusion, 2.5 mm, front anodised, rear conductive; textile EMC gasket; fixing material kit prevents an air short circuit in unused slot positions; is pushed into the groove of the guide rail</p>
Depth mm	Width HP	Height U	1 piece	1 piece	1 piece
160	4	3	<b>34562-823</b>	<b>20848-712</b>	<b>20848-728</b>
160	4	6	<b>34562-826</b>	<b>20848-720</b>	<b>20848-736</b>
220	4	3	<b>34562-824</b>	20848-713	20848-729
220	4	6	34562-827	20848-721	20848-737
Assembly tool for stainless steel EMC gasket, 1 piece 			-	<b>24560-270</b>	-

### NOTE

- Air baffle for 280 mm deep and for 80 mm rear I/O boards available on request

# Subracks – EuropacPRO

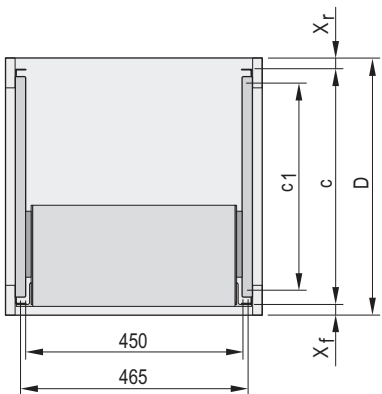
## SIMPLE TELESCOPIC SLIDE FOR ASSEMBLY OF SUBRACKS IN CABINETS



- For mounting 84 HP wide subracks in the 19" plane
- Loading capacity: 25 kg per pair
- The guiding profile is matched to the fixing dimension in the cabinet (it is bolted to the 19" profile of the cabinet); the adaptor rail is matched to the depth and fixing dimension on the subrack (it is inserted into the guiding profile like a telescopic slide)
- Safety note:  
No protection against extraction, no stop at full extension

**Order Information**

Telescopic slides with guiding profile for fitting in cabinets

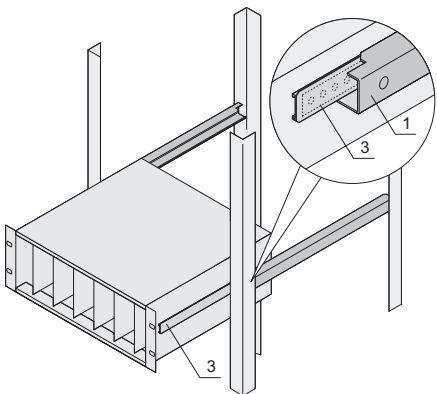


Description	Depth D mm	xf mm	xr mm	C mm	c1 mm	Part no.
VARISTAR	600	50	50	500	385	<b>24562-464</b>
VARISTAR	800	50	50	700	585	<b>24562-466</b>
VARISTAR	900	50	50	800	685	<b>24562-467</b>
VARISTAR	1000	50	50	900	785	<b>24562-468</b>
VARISTAR	1100	50	50	1000	885	<b>24562-472</b>
VARISTAR	1200	50	50	1100	985	<b>24562-473</b>
eurorack	600	60	60	480	397	<b>24562-449</b>
eurorack	800	60	60	680	597	<b>24562-451</b>
eurorack	900	60	60	780	697	<b>24562-452</b>
NOVASTAR	500	33	60	407	350	<b>24562-460</b>
NOVASTAR	600	33	60	507	450	<b>24562-461</b>
NOVASTAR	800	33	60	707	650	<b>24562-474</b>
Lab rack	250	0	0	250	162	<b>24562-446</b>

xf, xr: Distance of 19" plane to cabinet edge (front, rear)  
c: Distance of 19" planes from each other,  
c1: Fixing dimension of guiding profile on 19" panel/slide mounts

**Order Information**

Telescopic slides with adaptor rail for subracks



For subrack depth mm	Part no.
175	<b>24562-453</b>
235	<b>24562-454</b>
295	<b>24562-455</b>
355	<b>24562-456</b>
415	<b>24562-457</b>
475	<b>24562-458</b>

# Subracks – EuropacPRO

## TELESCOPIC SLIDE, NARROW, FOR SUBRACK

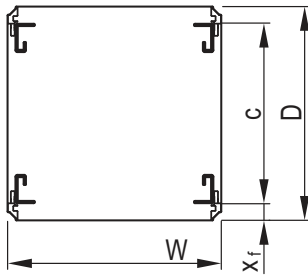


- Suitable for 84 HP width subracks (type F, type H, type L)
- Locks at full extension
- Hinged
- Extension length > 100 %
- Rail width 7.5 mm
- Maximum clear width of extension/drawer w = 84 HP (435 mm)

### DELIVERY INCLUDES

Item	Qty	Description
1	2	Telescopic slide, St, zinc-plated

00516001



C dimensions: Varistar 500 mm and 700 mm, Novastar 507 mm to 707 mm

01004146

### ORDER INFORMATION

Length L	Extension length Y	Load-carrying capacity P	Part no.
mm	mm	kg	
356	See table Technical data	15	<b>60110-441</b>
559	See table Technical data	15	<b>60110-440</b>

### Accessories

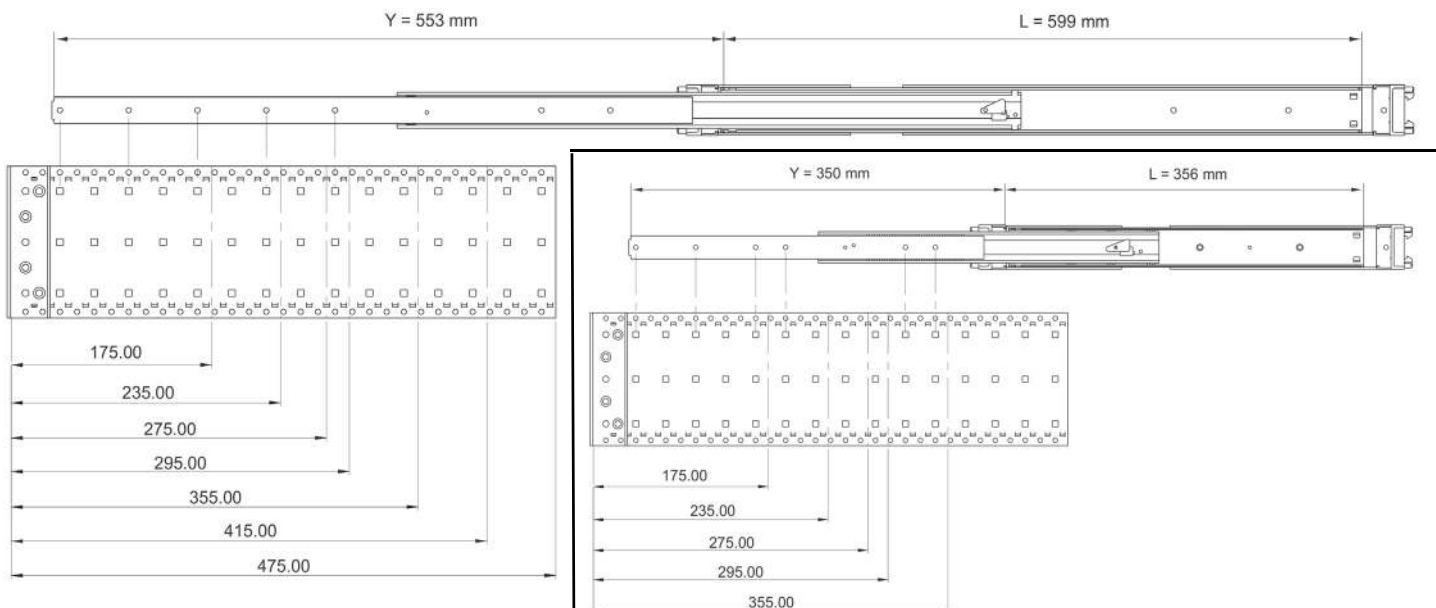
Fixing materials kit for Varistar, to mount 2 telescopic slides, PU 1 kit	<b>21120-193</b>
Fixing materials kit for Novastar, to mount 2 telescopic slides, PU 1 kit	<b>21120-194</b>
<b>Delivery: supplied loose with cabinet or frame</b>	<b>Part no./35</b>

### Technical data

Length L	Extension length Y		
	Varistar SL/HD	Novastar SL	Novastar HD
mm	mm	mm	mm
356	350	362	352
559	553	565	555

### NOTE

- To mount on 19" plane please order assembly kit separately
- Telescopic rail cannot be combined with BGTR with corner profile (rear)



00521051

Screw-on position for telescopic slide on side panel of subrack

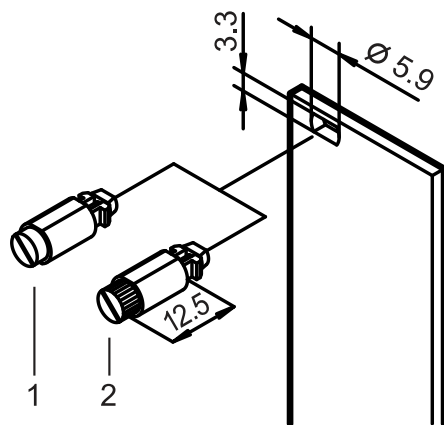
21120-193

# Subracks – EuropacPRO

## ASSEMBLY PARTS

- Quick-release fasteners
- Sleeves
- Screws
- Cage nuts
- Tools

### QUICK-RELEASE FASTENERS



06702062

- Vibration and shock proof
- 1/4 rotary lock with defined stop
- Detection of locking position through slot position

#### DELIVERY COMPRISES

Qty	Description
1	Locking pin, St, locking, Zn die-cast
1	Press-in sleeve, POM

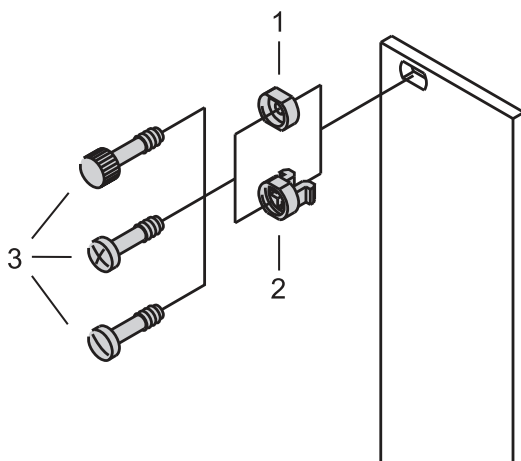
#### ORDER INFORMATION

Item	Description	Qty/PU	Part no.
1	With slotted head, grey	100	<b>21101-847</b>
1	With slotted head, black	100	<b>21101-848</b>
2	With knurled and slotted head, grey	100	<b>21101-849</b>
2	With knurled and slotted head, black	100	<b>21101-850</b>

#### NOTE

Quick-release fasteners: mounting without threaded inserts

### SLEEVES



06702061

#### ORDER INFORMATION

Item	Description	Qty/PU	Part no.
2	Plastic sleeve, PA, grey	100	<b>21100-464</b>
2	Plastic sleeve, PA, black	100	<b>21100-591</b>
1	Metal sleeve, brass, nickel-plated	10	<b>21100-659</b>
1	Metal sleeve, brass, nickel-plated	100	<b>21100-660</b>
1	Metal sleeve, brass, black	10	<b>21100-885</b>
1	Metal sleeve, brass, black	100	<b>21100-886</b>
1	Metal sleeve, stainless steel	10	<b>21100-661</b>
1	Metal sleeve, stainless steel	100	<b>21100-662</b>

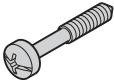
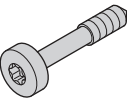
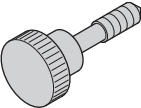
#### NOTE

- Metal sleeves must be pressed-in in front panels
- Sleeve does not fit in 2 HP wide front panels

# Subracks – EuropacPRO

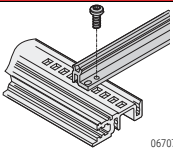
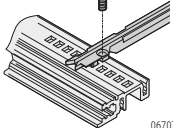
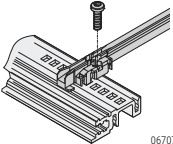
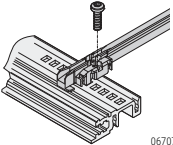
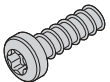
## COLLAR SCREWS

### ORDER INFORMATION

	Description	Application	Material	Dimension	Qty/PU	Part no.
 <small>aza45929</small>	Collar screw with pozidrive/slot	For mounting of front panels when using threaded inserts	St, nickel-plated	M2.5 x 12.3	100	<b>21101-101</b>
			St, zinc-plated, black	M2.5 x 12.3	100	<b>21101-102</b>
			Stainless steel	M2.5 x 12.3	100	<b>21101-906</b>
 <small>AZ445941</small>	Torx collar screw	For mounting of front panels when using threaded inserts	St, nickel-plated	M2.5 x 12.3	100	<b>21101-782</b>
			St, zinc-plated, black	M2.5 x 12.3	100	<b>21101-783</b>
 <small>aza45929</small>	Collar screw with knurled head	For mounting of front panels when using threaded inserts	Brass, nickel-plated	M2.5 x 12.3	100	<b>21101-749</b>
		For mounting of front panels when using threaded inserts for horizontal rails with long lip	Brass, nickel-plated	M2.5 x 12.3	100	<b>21101-909</b>

## TORX SCREWS, SELF-FORMING


### ORDER INFORMATION

	Description	Application	Material	Dimension	Qty/PU	Part no.
 <small>06707058</small>	Torx panhead screw, self-forming	For extra-robust Al guide rails; torque max. 0.2 Nm	St, zinc flake coating, black	2.5 x 7.3	100	<b>24560-157</b>
 <small>06707058</small>	Torx countersunk screw, self-forming	For 4.4" board height, guide rail on horizontal rail, europacPRO, ratiopacPRO; torque max. 0.2 Nm	St, zinc-plated	2.5 x 7.7	100	<b>24560-158</b>
 <small>06707058</small>	Torx panhead screw, self-forming	For plastic guide rail on horizontal rail; for panel bracket on horizontal rail; torque max. 0.2 Nm	St, zinc-plated	2.5 x 9.3	100	<b>24560-141</b>
 <small>06707058</small>	Torx panhead screw, self-locking	For plastic guide rails on horizontal rails	St, zinc-plated	2.5 x 9.3	100	<b>21500-039</b>
 <small>06707058</small>	Torx panhead screw	For 6 U support member, backplane mounting, centre horizontal rail	St, zinc-plated	2.5 x 10	100	<b>24560-179</b>

# Subracks – EuropacPRO

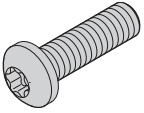

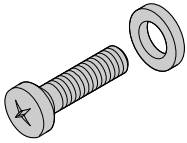
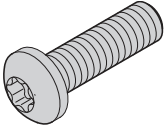
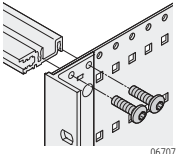
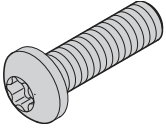
## COUNTERSUNK SCREWS

### ORDER INFORMATION

	Description	Application	Material	Dimension	Qty/PU	Part no.
 <small>AZA46585</small> Torx screw		For support profiles europacPRO, ratiopacPRO	St, zinc-plated	M4 x 5	100	<b>24560-139</b>
		For mixed board assembly and assembly of shortened horizontal rail on support member, with GND/earthing function	St, zinc-plated	M4 x 14	100	<b>24560-145</b>

## TORX PANHEAD SCREWS

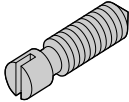
### ORDER INFORMATION

	Description	Application	Material	Dimension	Qty/PU	Part no.
 <small>a2a45040</small> Torx panhead screw		For Z-rails and connector assembly	St, nickel-plated	M2.5 x 7	100	<b>24560-147</b>
		For perforated rails	St, nickel-plated	M2.5 x 10	100	<b>24560-148</b>
		For backplane mounting	St, nickel-plated	M2.5 x 12	100	<b>24560-161</b>
			St, nickel-plated	M2.5 x 14	100	<b>24560-162</b>
 <small>a2a45178</small> Washer		For insulated backplane mounting	Plastic, PA	2.8 x 6.3 x 2	100	<b>21101-964</b>
 <small>a2a45040</small> Screw + plastic washer (PA)		For backplane mounting	St, nickel-plated	M2.5 x 12	100	<b>21100-777</b>
 <small>a2a45040</small> Torx panhead screw		To bolt on support bracket, rear hood, corner profile on side panel, lengthening bracket and connecting bracket	St, zinc-plated	M4 x 6	100	<b>24560-135</b>
		To bolt-on cover plate or mounting plate, with GND/earthing function	St, zinc-plated	M4 x 6	100	<b>24560-151</b>
		To bolt-on cover plate or mounting plate, with GND/earthing function, self-forming thread	St, zinc-plated	M4 x 6	100	<b>21101-884</b>
 <small>06707058</small> Torx panhead screw		For horizontal rail on side panel if guide rails are bolted to slot 1	St, zinc-plated	M4 x 10	100	<b>24560-155</b>
 <small>a2a45040</small> Torx panhead screw		For horizontal rail on side panel, with GND/earthing function	St, zinc-plated	M4 x 14	10	<b>24560-131</b>
		For horizontal rail on side panel, with GND/earthing function	St, zinc-plated	M4 x 14	100	<b>24560-130</b>

# Subracks – EuropacPRO

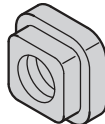
## GRUB SCREWS

### ORDER INFORMATION

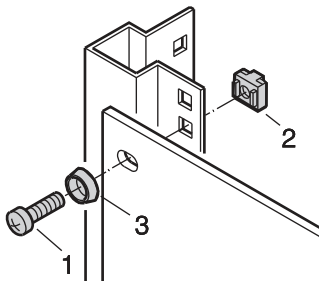
Description	Application	Material	Dimension	Qty/PU	Part no.
 Grub screw <small>06702053</small>	For threaded inserts M2.5 and perforated strips	Stainless steel	M2.5 x 9	100	<b>21101-359</b>
	For threaded inserts M2.5	St, nickel-plated	M2.5 x 8	100	<b>21100-276</b>
	For threaded inserts M3	St, zinc-plated	M3.0 x 8	100	<b>21100-646</b>

## SQUARE NUTS

### ORDER INFORMATION

Description	Application	Material	Dimension	Qty/PU	Part no.
 Square nut <small>AZA45921</small>	For fixing: parts to side panels, support profiles, mounting plates	St, zinc-plated	M4	100	<b>24560-140</b>

## ASSEMBLY KITS



SC128XXX

- For assembly of subracks in cabinets or 19" cases
- For assembly of desk-top cases in cabinets by means of 19" brackets

### DELIVERY COMPRISES (kit)

Item	Qty	Description
1	1	Pozidrive screw M6 x 16, zinc-plated
2	1	Plastic washer, ABS, black
3	1	Cage nut M6, steel nickel plated

### ORDER INFORMATION

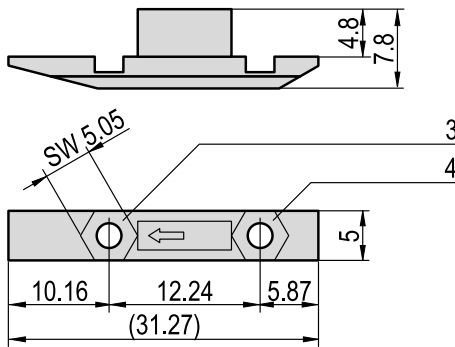
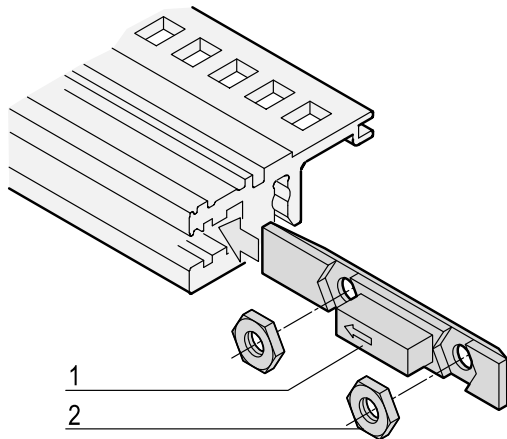
Description	Part no.
PU = 8 x screw, washer, nut	<b>21100-435</b>
PU = 50 each of M6 screw, washer and cage nut	<b>21101-809</b>
PU = 100 each of M6 screw, washer and cage nut	<b>21101-810</b>

- For 19" brackets with material thickness of 1.5 mm, see "Assembly kits" in chapter Cabinet accessories



# Subracks – EuropacPRO

## SLIDE, TO ACCOMODATE 2 NUTS



- The slide is pushed into the groove of the horizontal rail to front or rear (type VT)

### DELIVERY COMPRISES (kit)

Item	Qty	Description
1	1	Slide, PBT, red, UL 94 V-0
2	2	Nut, M2.5, St, acier nickelé

### ORDER INFORMATION

Description		Part no.
Slide nut kit 1	100 slides/200 nuts	<b>24560-165</b>
Slide nut kit 2	12 slides/24 nuts	<b>24560-166</b>

### NOTE

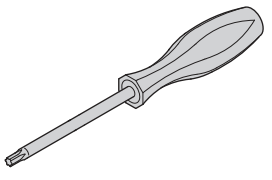
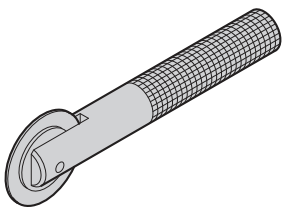
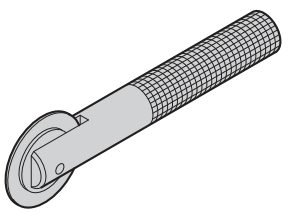

- Nuts used in item 3 suitable for:
  - hinged front panels, 84 HP
  - front or rear panels, 84 HP
- Nuts used in item 4 suitable for:
  - hinged front panels
- Nuts used in item 3 and 4 suitable for:
  - two front panels

06702060

# Subracks – EuropacPRO

## ASSEMBLY TOOLS

### ORDER INFORMATION

Description	Application	Dimension	Qty/PU	Part no.	
	T 8 torx	T8	1	<b>64560-026</b>	
	Torx screwdriver	To fix the top cover locking	T10	1	<b>64560-230</b>
	T 20 torx	T20	1	<b>64560-027</b>	
<small>AZA45925</small> 	Assembly tool	Exclusively to fix stainless steel EMC gaskets in horizontal rails	–	1	<b>24560-271</b>
<small>aza45938</small> 	Assembly tool	To fix stainless steel EMC gaskets on front panels with lateral slots	–	1	<b>24560-270</b>
<small>aza45937</small> 	Assembly tool	To fix stainless steel EMC gaskets on front panels with lateral slots	–	1	<b>24560-270</b>

### NOTE

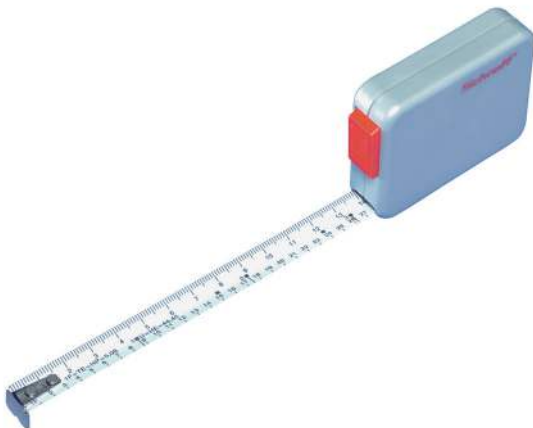
- Assembly tool to insert keying/coding pegs in guide rails is available on request

## TAPE MEASURE

- Measuring tape with cm, U-, HP-division (length 2 m)
- Plastic housing, metal measuring tape with automatic collection

### ORDER INFORMATION

Description	Qty/PU piece	Part no.
Tape measure	1	<b>89009-001</b>



32506001

# Subracks – EuropacPRO

## APPLICATION EXAMPLES

### Application: Transportation/defense sectors



- Mounting frame to accommodate a 36 HP wide railway subrack, frame from stainless steel



06108006

- Robust assembly by double bolt-on fixing
- Lateral ducting in cabinet
- Combined mounting 6 U+ 2 x 3 U

06103001

### Application: Measurement, control and instrumentation sectors



- Combined mounting with 2 x 3 U in 6 U
- Divider plate to separate different sections
- Installation with strengthened guide rails



06108002

- Subrack with additional telescopic fan unit
- Adaptation at bottom and top integrated into the side panel

06108003

### Application: Telecoms sectors



06112023

- Shielded subrack for special applications with mounting plate, cover and base plate
- Mounting plate for heavy assemblies



06101005

- Subrack with plastic cable ducting for fibre optic cables
- Terminal area at top

# Subracks – EuropacPRO

## PLATFORM-BASED STANDARD SOLUTIONS FOR INDIVIDUAL REQUIREMENTS

Practical technology without time-consuming assembly. The modular europacPRO product platform allows a wide range of possible applications with only a few components. The intelligent design of all components results in remarkably simple and fast management in assembly and components.

Simple assembly with europacPRO kits:



06107001

Delivered in space-saving flat packs. The threaded inserts or EMC gasket (depending on selected kit) are already pre-mounted on the horizontal rail.

Two ways of reaching your desired product:

- Kits
- Individual configuration

Individual configuration:

### SIDE PANELS TYPE F FOR STAINLESS STEEL GASKET

#### ORDER INFORMATION

	Side panel type F	19" bracket without handle holes	19" bracket with handle holes	19" bracket depth-adjustable	EMC gasket (stainless steel)	Rear angle	Side panel connection
	without 19" bracket, Al, 2 mm, passivated, please order 19" bracket and corner profile separately	with lateral grooves for stainless steel EMC gasket. Al extrusion, rear side etched, front anodized	with lateral grooves for stainless steel EMC gasket. Al extrusion, rear side etched, front anodized, please order front handles separately.	Al extrusion, passivated	inserted laterally into the grooves of the front panel	Al extrusion, surface clear passivated, with lateral grooves for stainless steel EMC gasket, rear hood cannot be mounted simultaneously	Zn die-cast, incl. fixing material kit, for connecting two by two (side panels join top of each other)
Height U	Depth mm	1 piece	PU 1 pair	PU 1 pair	PU 1 pair	PU 1 pair	PU 4 pieces
3	175	<b>34560-185</b>					
3	235	<b>34560-187</b>					
3	275	<b>34579-300</b>					
3	277.75	<b>34579-002</b>					
3	295	<b>34560-189</b>	<b>24560-197</b>	<b>24560-198</b>	<b>24560-199</b>	<b>21101-705</b>	<b>24561-198</b>
							<b>21101-954</b>

06109052

You design your subrack as you wish, then receive it fully assembled via our ServicePLUS assembly service (even for orders of just one). We can also carry out individual modifications and cut-outs; and when time is short can do so very fast via ServicePLUS express.

## HORIZONTAL RAILS AND SIDE PANELS FOR DIFFERENT LOAD-CARRYING CLASSES



Light

06197007

Heavy

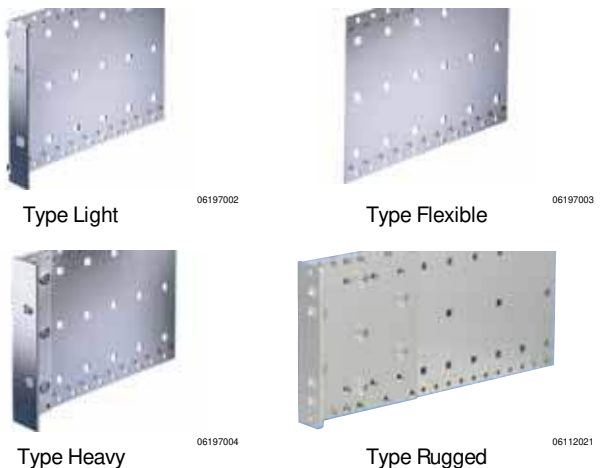
06197008

Rugged

06112004

Horizontal rails are available for three load classes:

- "light" (load up to approx. 7.5 kg)
- "heavy" (load > 7.5 kg)
- "rugged" (load 15 kg)



Type Light

06197002

Type Flexible

06197003

Type Heavy

06197004

Type Rugged

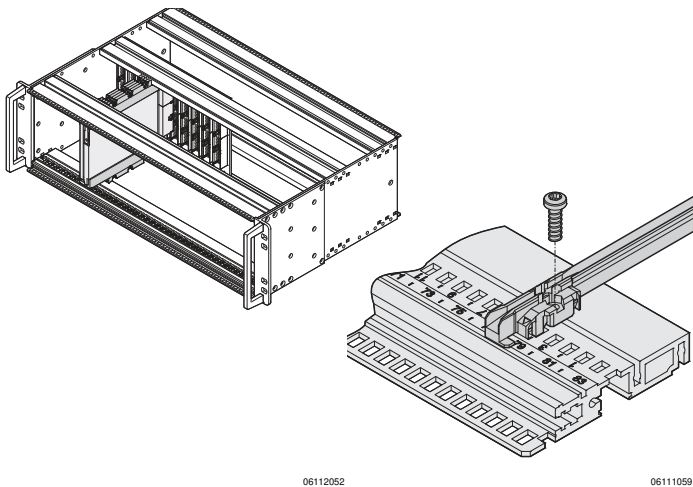
06112021

Side panels for 4 different load classes

- Light: low-cost version with built-in 19" mounting bracket
- Flexible: with separate, depth-adjustable 19" mounting bracket
- Heavy: with integrated, tox-cold welded 19" mounting bracket, e.g. for shock and vibration environments up to 5 g
- Rugged: with integrated, tox-cold welded 19" mounting bracket and higher material thicknesses for extreme mechanical stresses, e.g. for increased shock and vibration environments up to 25 g
- The combination of the 3 horizontal rail variants with the 4 types of side panel results in an almost unlimited variety of potential applications for various market requirements

# Subracks – EuropacPRO

## GUIDE RAILS FROM PLASTIC AND ALUMINIUM PROFILES



Guide rails form the interface between the subrack mechanics and the assemblies (boards, plug-in units, frame type plug-in units, drive unit modules, ...).

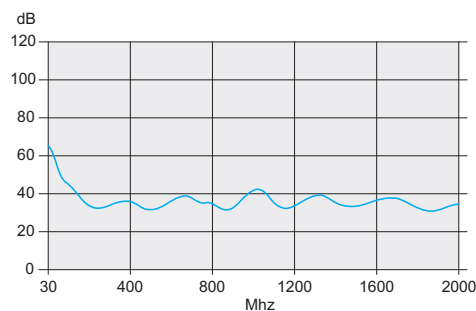
Robust snap-in fixings on the plastic rails assure a secure grip, even when exposed to vibrations. In the case of H and R-type horizontal rails the guide rails can also be bolted on. For extreme stresses, guide rails in aluminium extrusion are used.

To ensure that the wrong subassembly is not inserted into the wrong space we offer a mechanical coding to IEEE 1101.10/11 and IEC 60297-3-103.

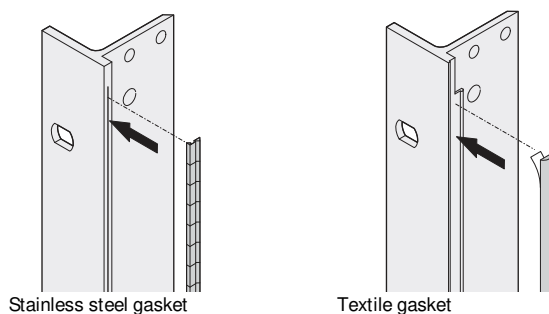
The continuous numbering on the horizontal rail (from 28 HP) and the markings on the guide rails facilitate quick fitting in the correct position.

We offer the appropriate adaptors for accommodating VPX or CompactPCI boards with strengthening frame or conduction-cooled assemblies (CCA) installed in a subrack.

## ELECTROMAGNETIC SHIELDING AND ESD



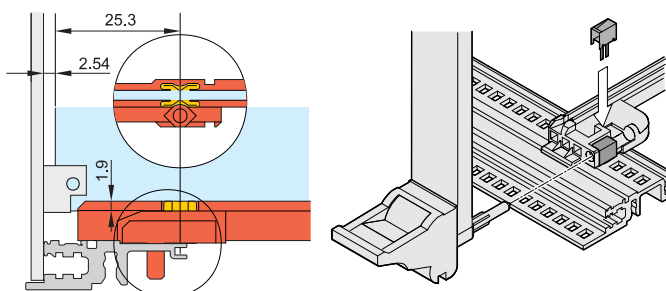
The product platform europacPRO offers a variety of off-the-shelf solutions to assure electromagnetic compatibility (EMC) and to avoid electrostatic discharge (ESD).



Two shielding concepts  
It can't be more secure!

Two types of shielding concepts to front/rear of the subrack allow the use all Schroff frontpanels.

The shielding at the front of the subrack is by means of stainless steel or textile EMC gaskets.



ESD (electrostatic discharge)

To avoid electrostatic discharge when inserting PCBs, ESD contacts are clipped into the guide rails. These establish a conductive connection between PCB and subrack-earth. Under IEC 60297-3-101 two ESD areas are defined on the euroboard. The ESD clips of the guide rail of the europacPRO subrack allow the assembly of both following variants:

- ESD area (bottom and top) over the complete board length
- ESD area (bottom/top) begins at the front from 70 mm to end of board)

## North America

Warwick, RI, USA

Tel +1.800.525.4682

San Diego, CA, USA

Tel +1.800.854.7086

## Europe, Middle East & India

Straubenhardt, Germany

Tel +49 7082 794 0

Betschdorf, France

Tel +33 3 88 90 64 90

Warsaw, Poland

Tel +48 22 209 98 35

Hemel Hempstead,

Great Britain

Tel +44 1442 24 04 71

Lainate, Italy

Tel +39 02 932 714 1

Dubai, United Arab Emirates

Tel +971 4 37 81 700

Bangalore, India

Tel +91 80 67152000

Istanbul, Turkey

Tel +90 216 250 7374

## Asia Pacific

Shanghai, China

Tel +86 21 2412 6943

Singapore

Tel +65 6768 5800

Shin-Yokohama, Japan

Tel +81 45 476 0271

Our powerful portfolio of brands:

**CADDY ERICO HOFFMAN RAYCHEM SCHROFF TRACER**



[nVent.com/SCHROFF](https://www.nVent.com/SCHROFF)