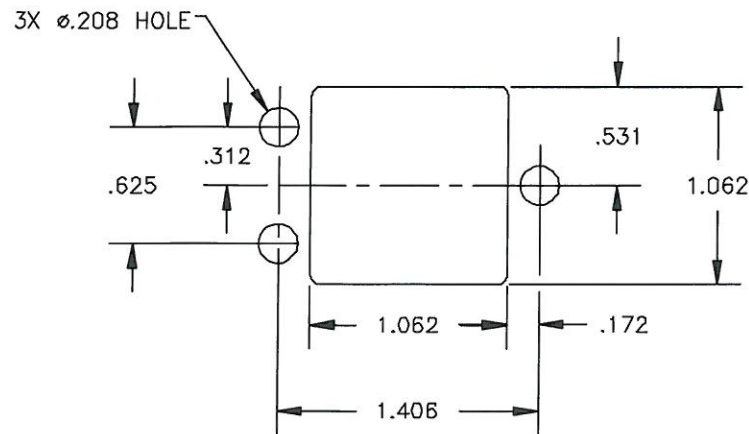
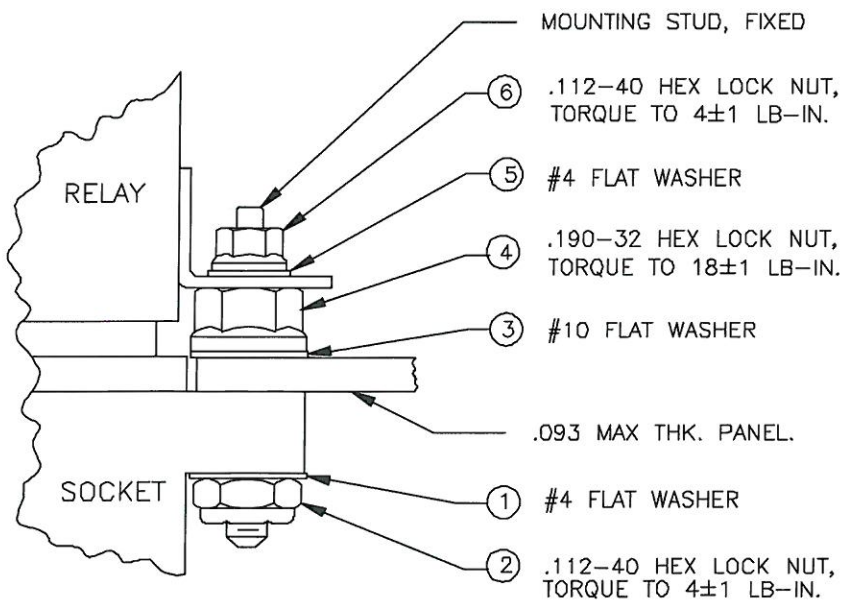


| REV | ECN | APP'D |
|-----|------|------------------|
| N | 2949 | |
| O | 5430 | JT 8/27/04 |
| P | 6686 | <i>JT 4/1/11</i> |

| BILL OF MATERIALS | | QTY | | |
|-------------------|--------------------------------|-----------|-----------|-----------|
| P/N | DESCRIPTION | RSE112115 | RSE112116 | RSE112117 |
| 200002801 | HEX NUT SLF LKG #4-40 #704 | 6 | 6 | 6 |
| 200002501 | HEX NUT SLF LKG #10-32 MS21042 | 3 | 3 | 3 |
| 200002901 | FLT WASHER #10 PSVTD #504 | 3 | 3 | 3 |
| 200003820 | STL HEX NUT SLF LKG 4-40 | 6 | 6 | 6 |
| 005111400 | 3.5"DRAM UNCAPPED VIAL/CAP | 1 | - | 1 |
| CNS126900 | M39029/92-533 CONTACT SZ16/16 | 2 | - | 2 |
| CNS128900 | M39029/92-535 CONTACT SZ12/12 | - | - | 9 |
| CNS129900 | M39029/92-536 CONTACT SZ12/16 | 9 | - | - |

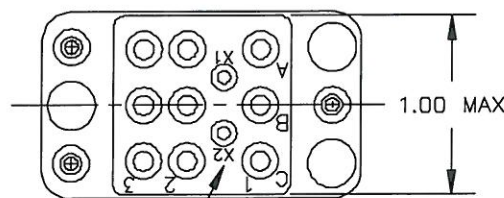
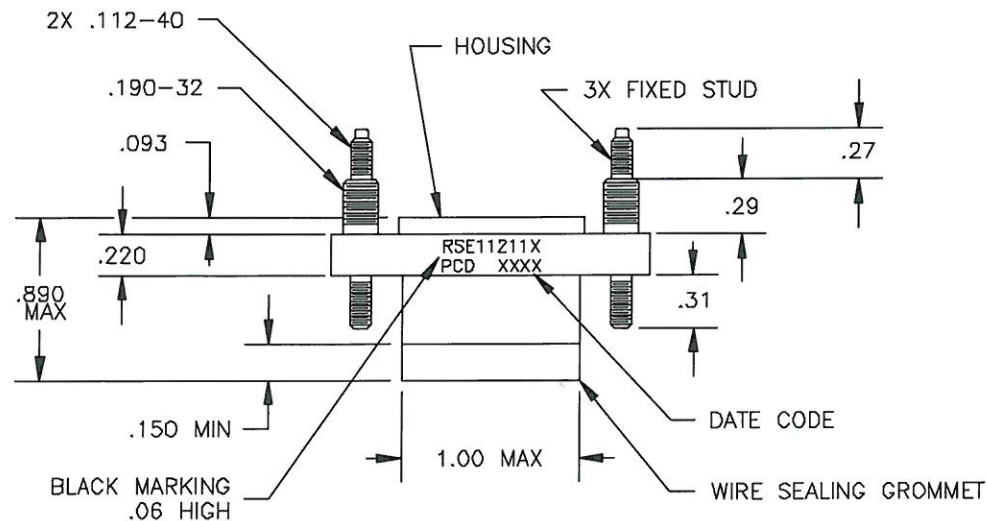


RECOMMENDED MOUNTING PANEL HOLE

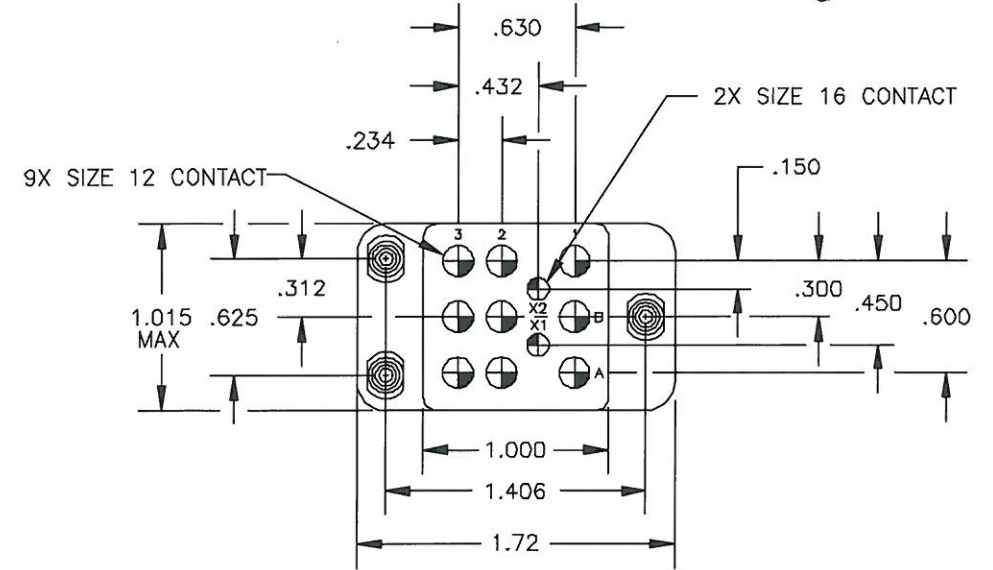


MOUNTING HARDWARE

INSTALLATION SEQUENCE BY ITEM NUMBER
TYP 3 PLACES



POSITION MARKING
COLOR: WHITE



NOTES:

- CONFORMS TO PERFORMANCE REQUIREMENTS OF MIL-S-12883.
- MATERIALS:
 - A. HOUSING - POLYETHERIMIDE, COLOR: BLUE-GREEN.
 - B. GROMMET - SILICONE ELASTOMER, COLOR: RED.
- SOCKET CONTACTS CONFORM TO PERFORMANCE REQUIREMENTS OF MIL-C-39029, GOLD OVER NICKEL PLATE.
- COMPLETE MOUNTING HARDWARE SUPPLIED.
- OPERATING TEMPERATURE: +125°C/-65°C CONTINUOUS.
- CONTACT INSTALLATION TOOLS:

| | | |
|--------------------|--------------|---------------|
| | #12 CONTACT | #16 CONTACT |
| CRIMP TOOL: | M22520/1-01 | M22520/1-01 |
| POSITIONER: | M22520/1-02 | M22520/1-02 |
| INSERTION/REMOVAL: | M81969/14-04 | M81969/14-03. |

| | | | | | | | |
|---|---|----------------|--|-----------|-------------------------------------|----------------------|----------|
| DIMENSIONS ANSI Y14.5M UNITS: INCHES ACAD FILE | TOLERANCES .XX ±.01 .XXX ±.005 ANGLES ±2° | PROJECTION | SPECIFICATION DRAWING ENGR A. PATRIE 8/13/97 CHKD <i>[Signature]</i> 4/1/11 APPR <i>[Signature]</i> 4/1/11 | SIZE B | TITLE FIXED STUD SIZE 12 & 16 | DWG NO. RSE112115 | REV P |
| ORIGINAL | THIS DOCUMENT CONTAINS PROPRIETARY INFORMATION WHICH IS THE CONFIDENTIAL PROPERTY OF PCD, INC. PEABODY, MA, USA | | CODE: 58982 | SCALE: 1X | SHEET 1 OF 1 | | |

RSE112115

RSE112115