

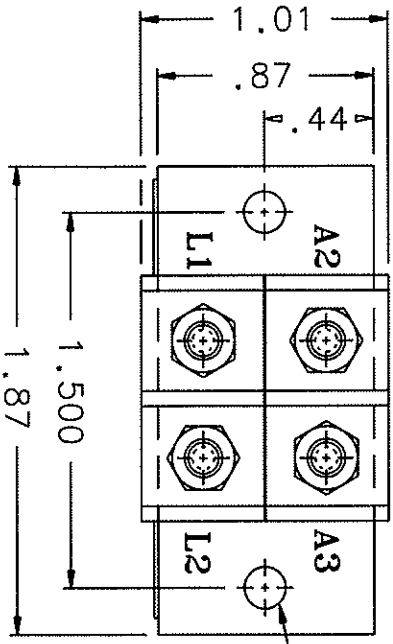
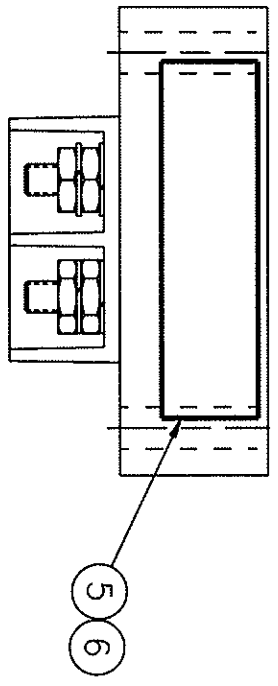
FAA/PMA

REV.	DESCRIPTION	DATE	APPROVED
D 32438	REDRAWN, FIND NO 6 ADDED	97/03/25	RS
E 40462	MAX* ADDED TO .59	99/09/27	RS
F 41496	MAX* ADDED TO .76 & 1.03	00/02/01	RS

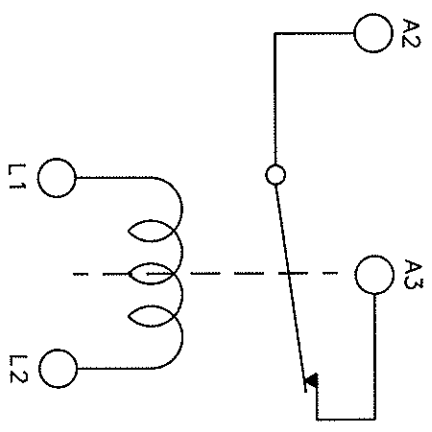
Q-50AB-1  
REV. F

REVISIONS

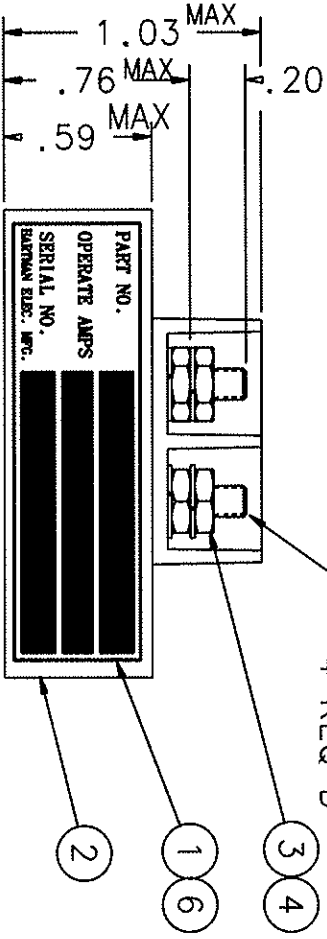
RELEASED



166 DIA. HOLE  
2 MTC HOLES



**OPERATING CHARACTERISTICS**  
 PICKUP 1.5 AMP MAX.  
 DROPOUT LESS THAN 1 AMP  
 CONTINUOUS 10 AMPS MAX,  
 15 AMP FOR 3 SEC  
 1.25 OZ.  
 MAX. WEIGHT  
 TEMP -55°C TO +71°C  
 VIBRATION 10 G's TO 500HZ  
 ALTITUDE 50,000 FT. MAX.  
 CONTACT RATING 1 AMP SWITCHING  
 2 AMP CARRY



6-32 UNC-2A  
4 REQ'D

PART NO.	
OPERATE AMPS	
SERIAL NO.	
HARTMAN ELEC. MFG.	

FIND NO	QTY	PART OR IDENTIFYING NO	OVERLAY
6	2	39529-024	OVERLAY
5	1	58400-068	PLATE-FAA/PMA
4	4	51806-014	WASHER - LOCK No.6 SPLIT
3	4	50406-034	NUT 6-32 X 1/4 X 5/64 HEX.
2	1	38496-020	RELAY ASSEMBLY - PRIMARY
1	1	34246-001	PLATE - NAME

UNLESS OTHERWISE SPECIFIED DIMENSIONS ARE IN INCHES	2 PL DEC. 13 PL DEC. ANGLES	1.06	1.010	1.0
---	-----------------------------	------	-------	-----

DIR BY	RLS	00/02/25
CHK BY	RS	00/02/25
ENGR	RS	00/03/03
MFG	RS	00/03/03
RELEASE		
CONTR. NO.		
GOVT. APPROV.		

HARTMAN ELECTRICAL MANUFACTURING	MAANSFIELD, OHIO	
RELAY - CURRENT INDICATOR		
SIZE	CODE IDENT	DWG NO.
C	74063	Q-50AB-1
SCALE	NONE	SHEET