

PART NAME: KNOB      SCALE: 1:1      DATE: 1/6/92      DR. BY HD

THIS DRAWING IS THE PROPERTY OF DAVIES MOLDING COMPANY, IS SUBMITTED SOLELY AS A DESIGN OR ENGINEERING PROJECT. WE ACCEPT NO RESPONSIBILITY WHATSOEVER FOR THE PRACTICAL APPLICATION OF THE PIECES MADE TO THIS DESIGN.



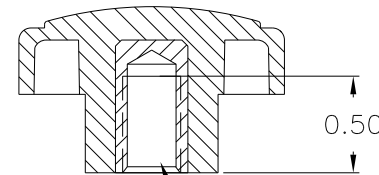
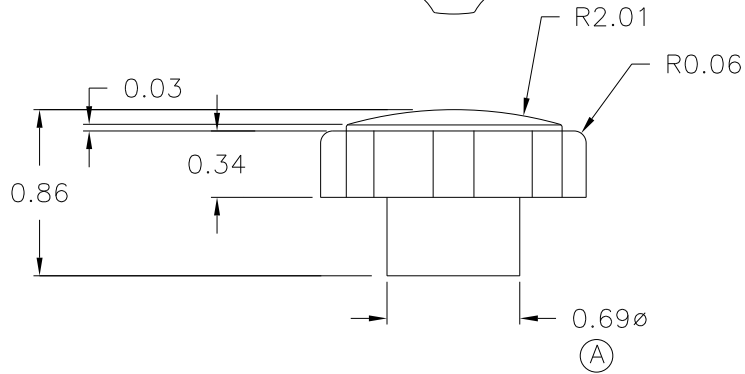
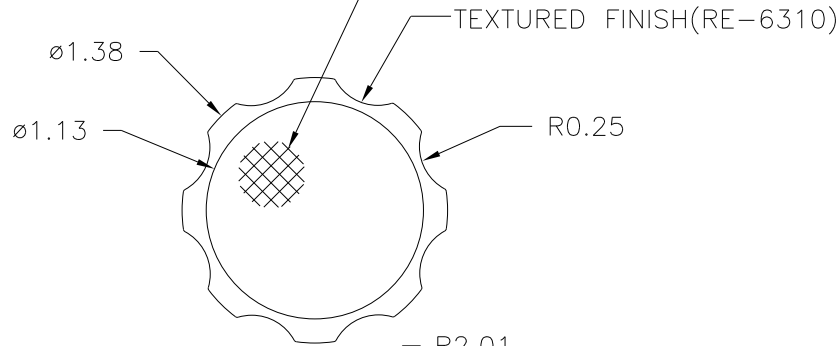
DESIGNERS & MANUFACTURERS OF KNOBS, HANDLES, CASES & CUSTOM PLASTIC COMPONENTS

P/N 4200-C

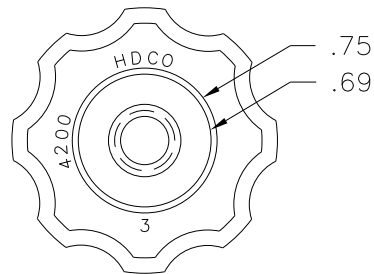
M NO. # 73-FRAME

CAVITY	4200
CORE	4200
INSERT	10528
K.O.SLEEVE	M-4200
OUTER PIN	4200
PIN	4200-C

TEXTURED TOP(RE-6225)



5/16-18 UNC-2B THREAD  
10528, H.H.BRASS



(B) (C)

MATERIAL: POLYPROPYLENE (CLD) (E)  
COLOR: BLACK

E	ADDED MAT. CODE	DS	1/9/07
D	+ OUTER PIN/CHGE TO D	LAS	8/28/03
C	WAS 20% T.F.	JAM	3/16/00
B	WAS POLYPROPYLENE	HD	1/16/98
A	WAS 11/16	MP	11/26/96
-	CAD/REDRAWN	HD	6/20/95

TOLERANCES: UNLESS OTHERWISE SPECIFIED	DO NOT SCALE DRAWING
DECIMALS: X.XXX ± .005 X.XX ± .015	MM: X.XX ± 0.15MM X.X ± 0.4MM
FRACTIONS ± 1/64	ANG. ± 1°

CHANGES