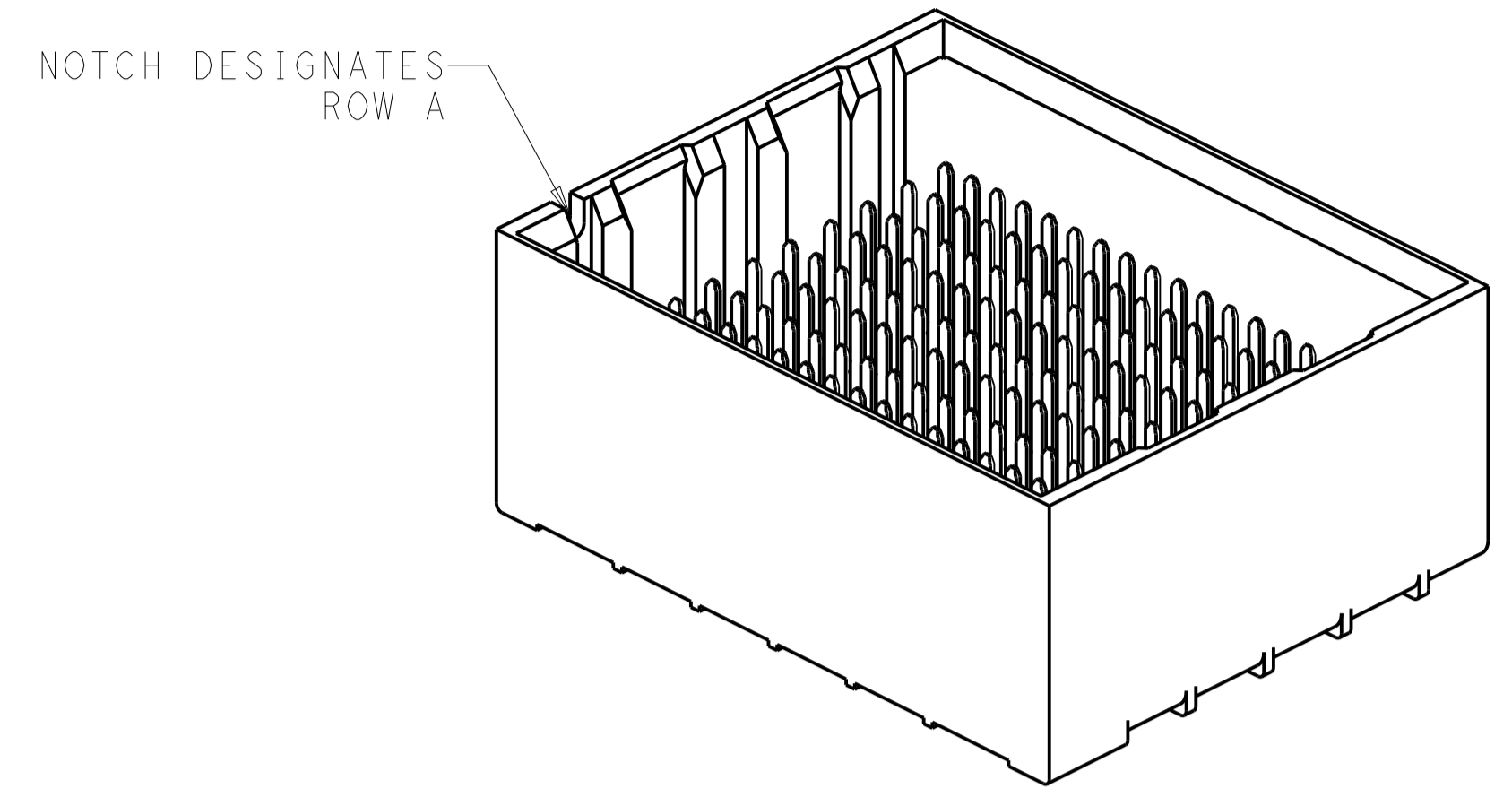
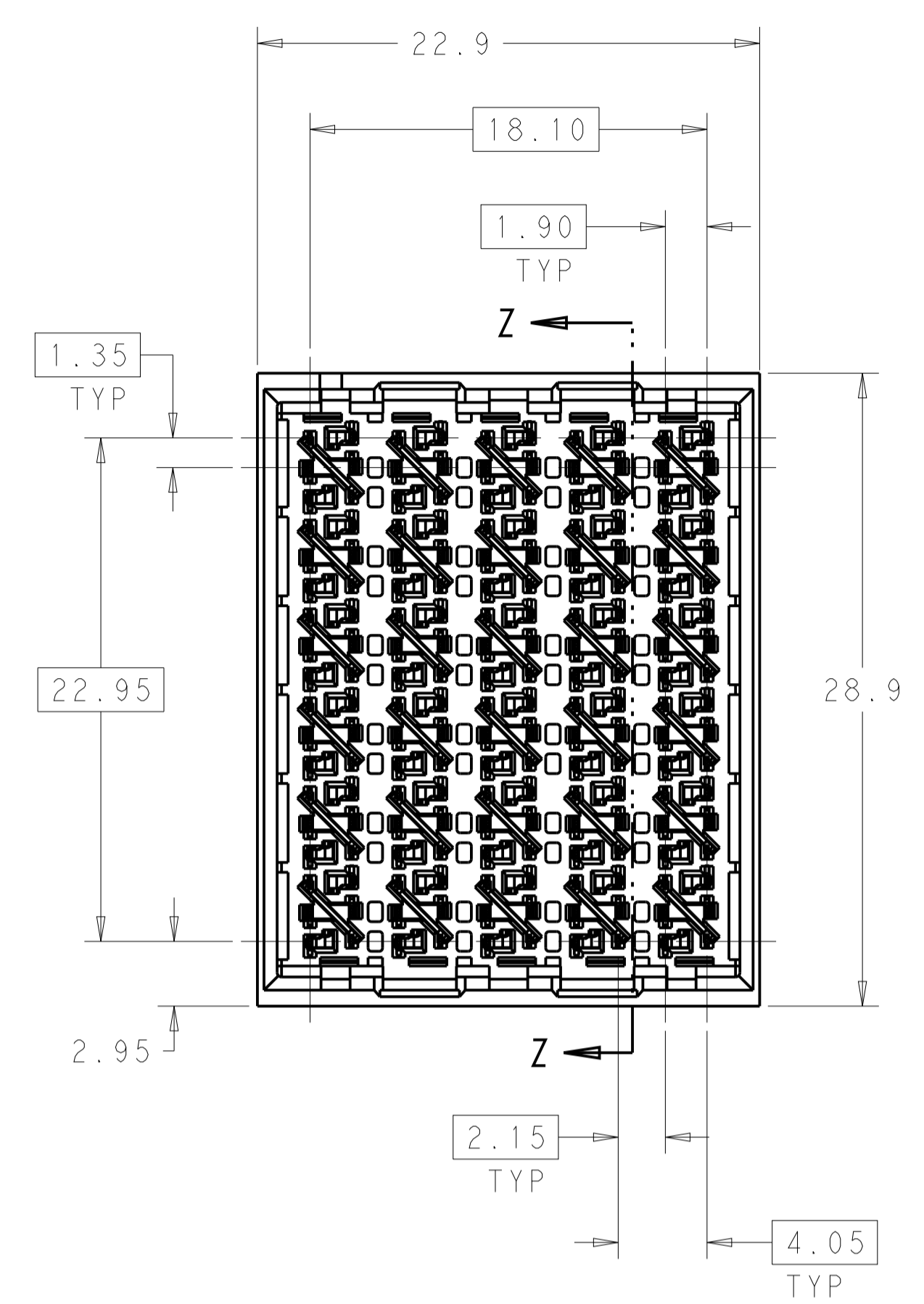
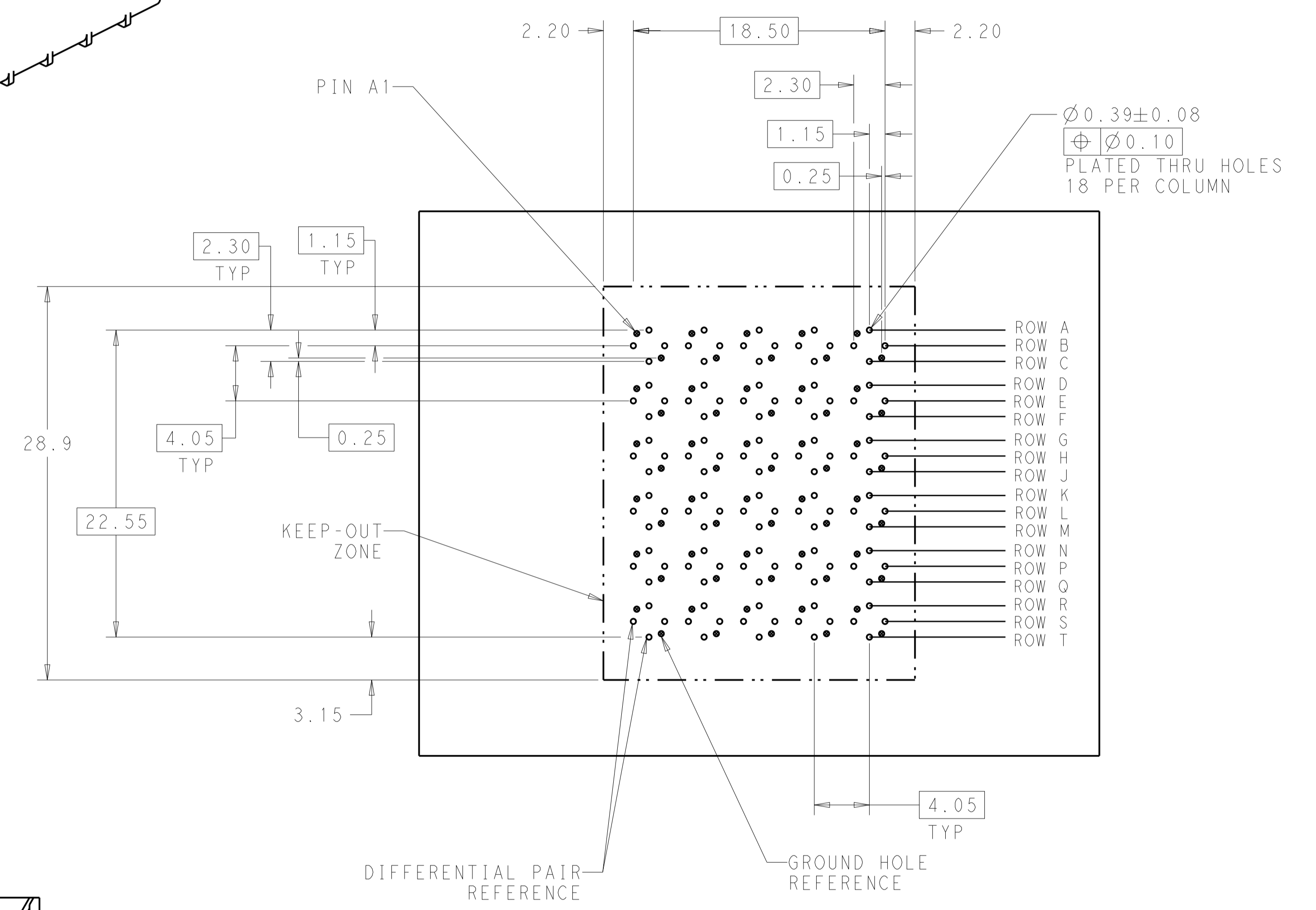


REVISIONS				
P.	LTN.	DESCRIPTION	DATE	APVD.
C		REVISED PER ECO-14-013273	31OCT2014	AP DD

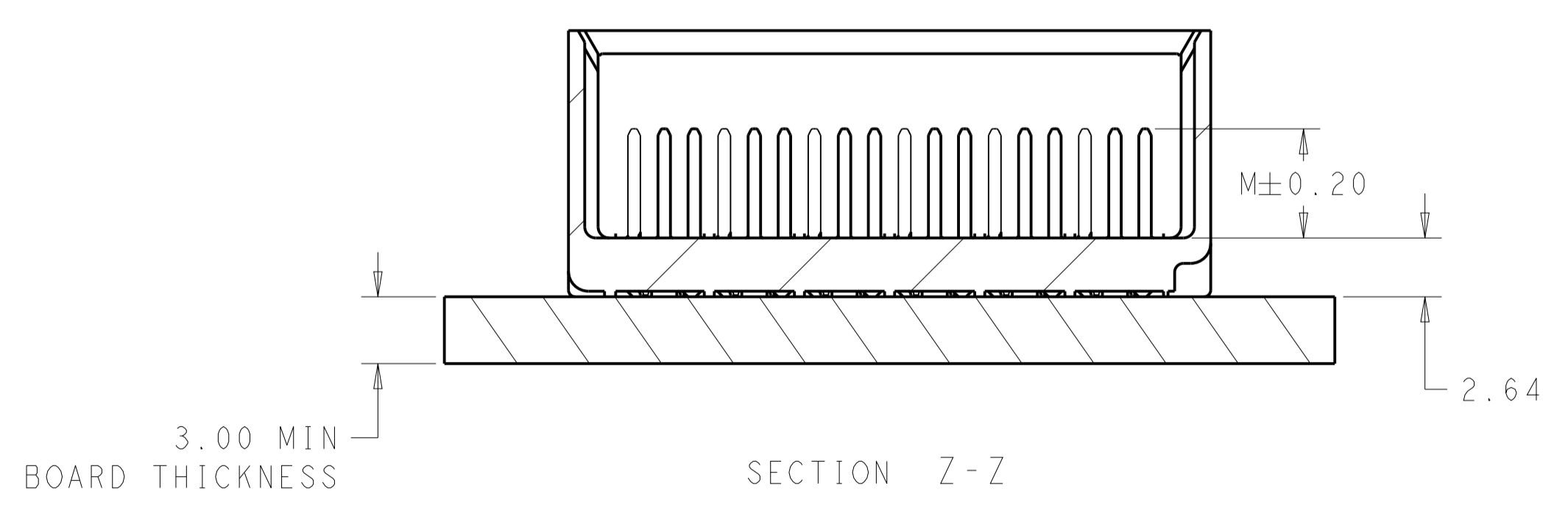
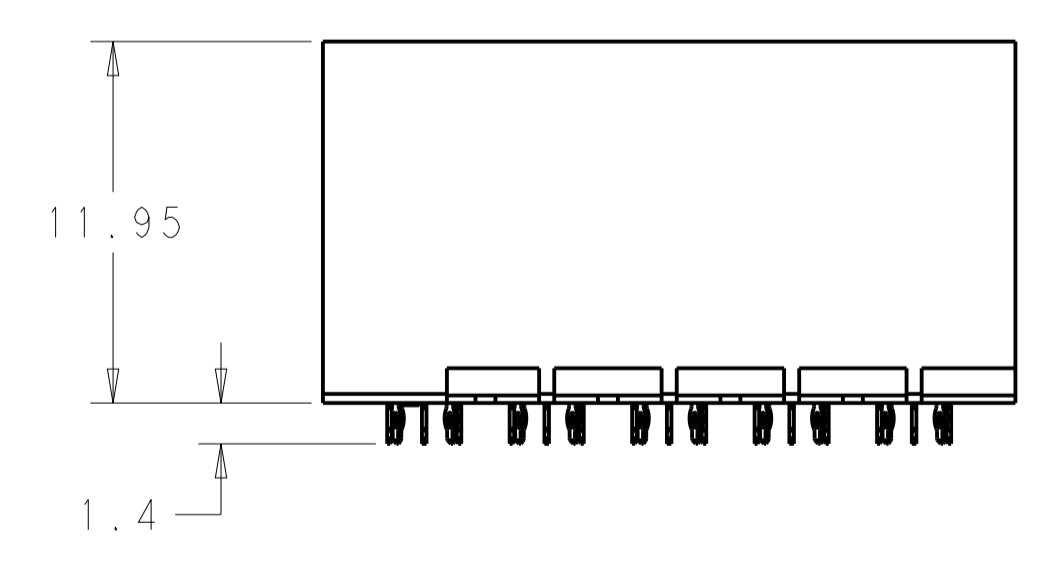


⚠ MATERIAL:  
 HOUSING: LCP GLASS FILLED UL94V-0  
 TERMINALS: HIGH PERFORMANCE COPPER ALLOY

⚠ FINISH:  
 30μ" MIN GOLD IN CONTACT AREA  
 SELECTIVE TIN ON PCB TAILS.  
 NICKEL OVERALL.



LEFT GUIDED  
 BACKPLANE HOLE PATTERN  
 (CONNECTOR SIDE)  
 SCALE 4:1



⚠	5.5	2143255-2
⚠	4.9	2143255-1
FINISH	DIM M	PART NUMBER

THIS DRAWING IS A CONTROLLED DOCUMENT.		OWN J. K. SHOBER 29DEC2010	TE Connectivity
DIMENSIONS: mm		CHK J. EARY 29DEC2010	
TOLERANCES UNLESS OTHERWISE SPECIFIED:		APVD J. EARY 29DEC2010	NAME: IMPACT, 6 PAIR, 10 COLUMN, UNGUIDED DUAL END WALL ASSEMBLY, ORTHOGONAL, 0.39 PTH
0 PLC ± 1 PLC ±0.25 2 PLC ±0.13 3 PLC ± 4 PLC ± ANGLES ±0		PRODUCT SPEC APPLICATION SPEC	
MATERIAL	SEE TABLE	WEIGHT	SIZE CAGE CODE DRAWING NO. RESTRICTED TO A100779C=2143255
CUSTOMER DRAWING		SCALE 4:1	SHEET 1 OF 1 REV C