

4

3

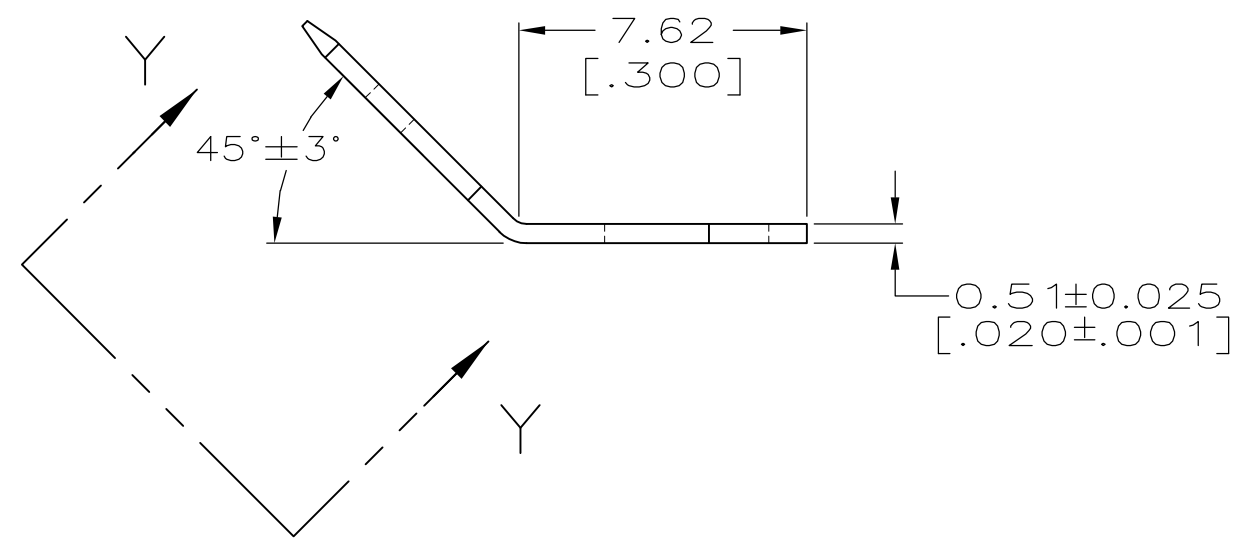
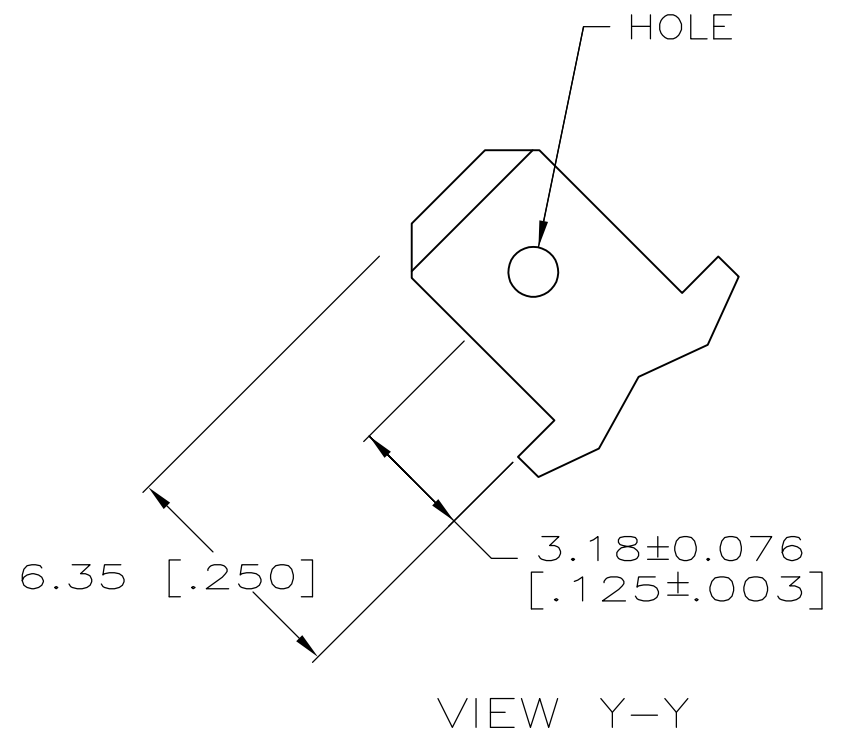
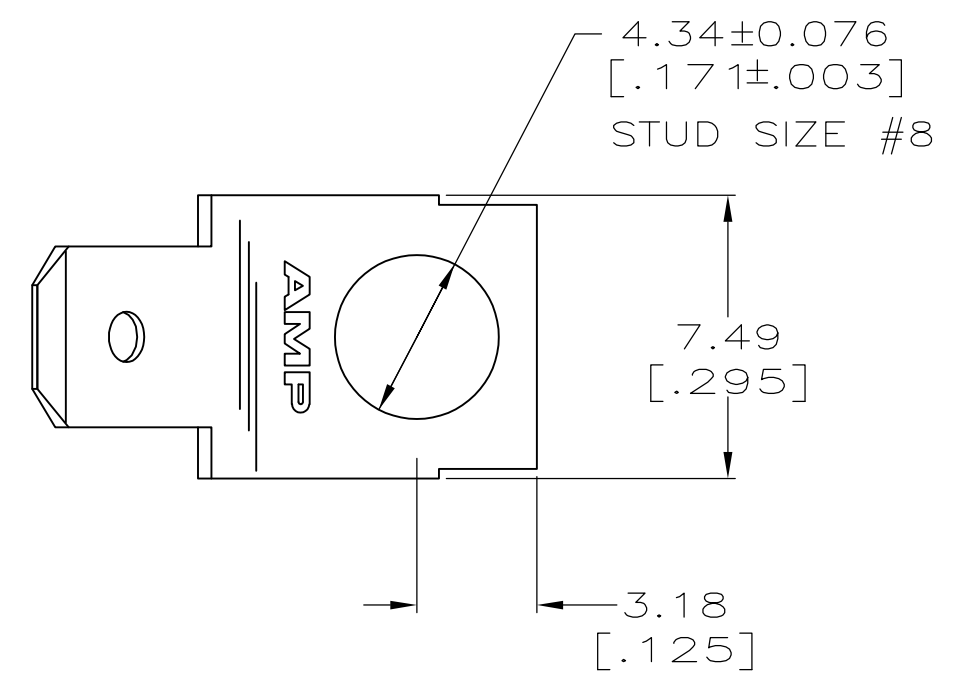
2

1

THIS DRAWING IS UNPUBLISHED. RELEASED FOR PUBLICATION
 © COPYRIGHT - By - ALL RIGHTS RESERVED.

LOC	DIST	REVISIONS			
P	LTR	DESCRIPTION	DATE	DWN	APVD
AF	50	E	REVISED PER ECR-13-011489	05DEC2013	KH PD

1 SUPPLIED IN LOOSE PIECE.



61664-1
PART NO.

THIS DRAWING IS A CONTROLLED DOCUMENT.		DWN	JR RUTH	1/10/97	TE Connectivity						
DIMENSIONS: mm [INCHES]		CHK	MS FEHER	1/10/97				NAME			
TOLERANCES UNLESS OTHERWISE SPECIFIED:		APVD	J HUZVAR	1/10/97	TAB, FASTON, 4.75 [.187] SERIES						
0 PLC ± - 1 PLC ± - 2 PLC ± 0.38 [.015] 3 PLC ± - 4 PLC ± - ANGLES ± -		PRODUCT SPEC		APPLICATION SPEC			RESTRICTED TO				
MATERIAL BRASS		FINISH TIN		WEIGHT	—	SIZE	A3	CAGE CODE	00779	DRAWING NO	C-61664
CUSTOMER DRAWING				SCALE	5:1	SHEET	1 OF 1	REV	E		