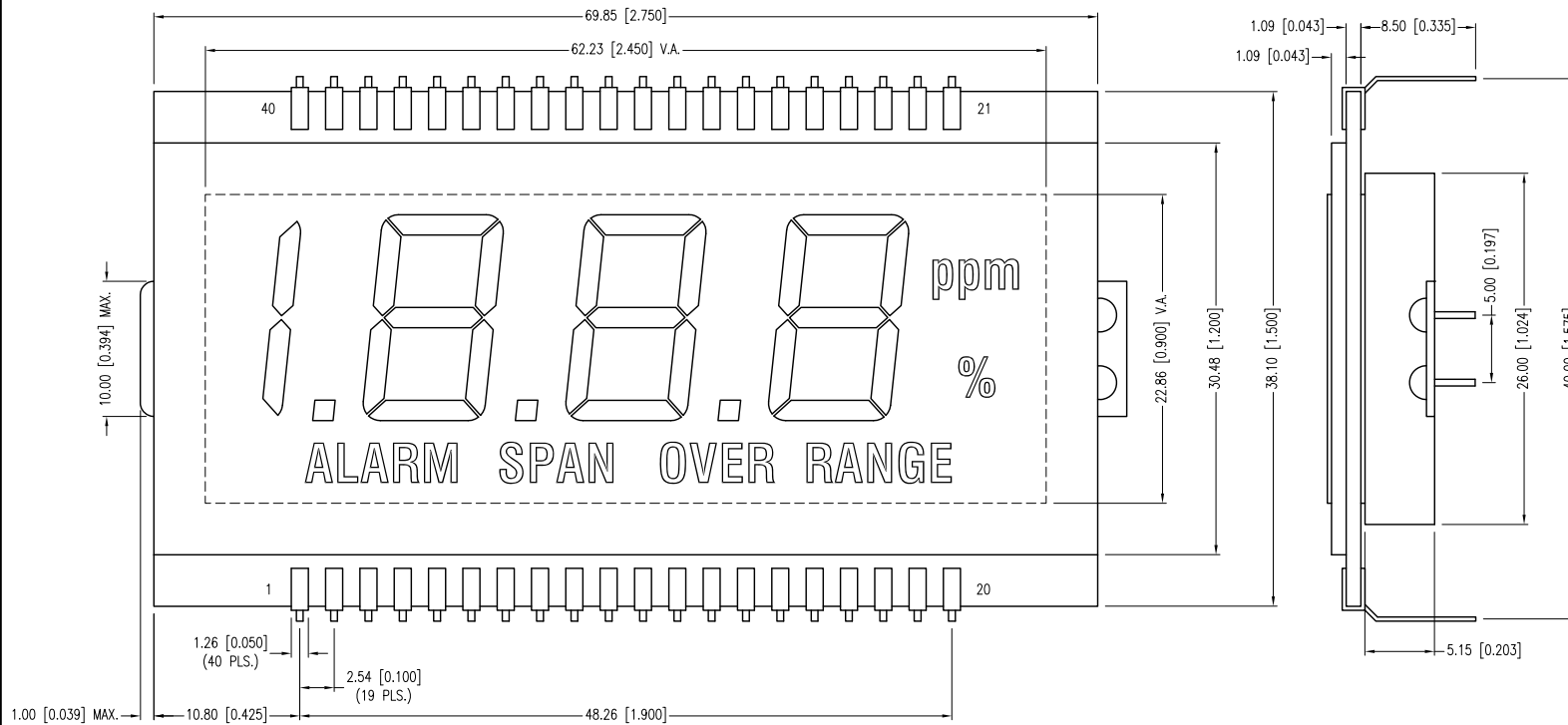
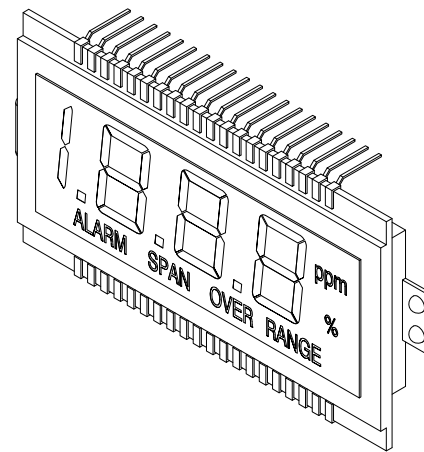
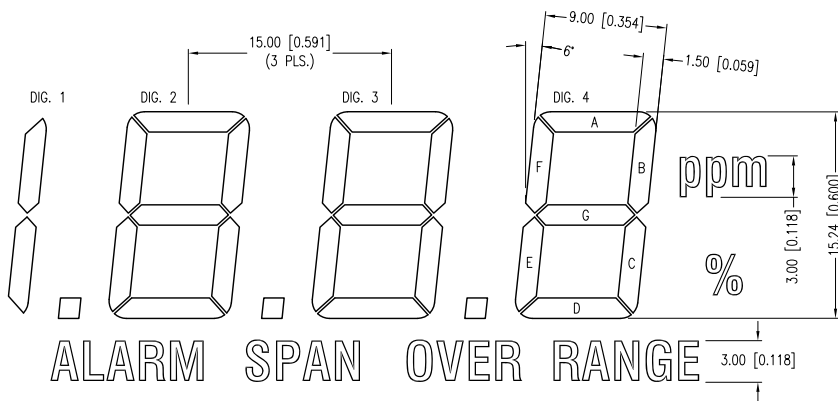


PART NUMBER	LCD-S3X1M60EF-1	REV.	A
DATE	E.C.N. NUMBER AND REVISION COMMENTS		REV.
08.29.11	E.C.N. #11746/10BRDR. & REDRAWN.		A



CHARACTERISTICS	
FLUID TYPE	EBTN NEGATIVE
BACKGROUND COLOR	BLACK
VIEWING DIRECTION	12:00
DISPLAY MODE	TRANSMISSIVE
OPERATING VOLTAGE	5.0V AC
OPERATING TEMP.	0°C TO +50°C
STORAGE TEMP.	-20°C TO +70°C
DRIVING METHOD	STATIC, 1/2 BIAS
CONNECTION TYPE	40 PINS

- NOTES:
- LCD-S3X1M60EF-1, LCD GLASS.
 - SSB-COB6323SIW, LED BACKLIGHT.



PIN NO.	1	2	3	4	5	6	7	8	9	10
SEGMENT	COM	DP1	ALARM	NC	2D	2C	DP2	SPAN	NC	3D
PIN NO.	11	12	13	14	15	16	17	18	19	20
SEGMENT	3C	DP3	OV RG	NC	NC	NC	NC	4D	4C	%
PIN NO.	21	22	23	24	25	26	27	28	29	30
SEGMENT	ppm	4G	4B	4A	4F	4E	NC	3G	3B	3A
PIN NO.	31	32	33	34	35	36	37	38	39	40
SEGMENT	3F	3E	NC	2G	2B	2A	2F	2E	1BC	COM

ELECTRICAL CHARACTERISTICS		To=25°C		STANDARD VALUE			UNIT
ITEM	SYMBOL	CONDITION	MIN	TYP	MAX		
LED BACKLIGHT	VOLTAGE	Vf	If=220mA	-	4.2	4.5	V
	CURRENT	If	Vf=4.2V	-	220	-	mA
	POWER CONSUMPTION	PD	-	-	1.25	1.98	W
	LUMINOUS	L	If=220mA	-	1000	-	cd/m ²
	COLOR: RED	-	-	-	639	-	nm

*UNLESS OTHERWISE SPECIFIED TOLERANCES PER DECIMAL PRECISION ARE: X=±1 (±0.039), X.X=±0.5 (±0.020), X.XX=±0.25 (±0.010), X.XXX=±0.127 (±0.005). LEAD SIZE=±0.05 (±0.002), LEAD LENGTH=±0.75 (±0.030). MIN.= +DECIMAL PRECISION MAX.= +0.00 -DECIMAL PRECISION

LUMEX
 Creating LED and LCD Solutions Together™
 290 E. HELEN ROAD
 PALATINE, IL 60067-6976
 PHONE: +1.847.359.2790
 FAX: +1.847.359.6538
 WEB: WWW.LUMEX.COM

0.60" CHAR HEIGHT, 3 1/2 DIGIT CUSTOM LCD GLASS, EBTN, TRANSMISSIVE, TOP VIEW, 40 PIN, W/LED BACKLIGHT.
 THE SPECIFICATIONS MAY CHANGE AT ANY TIME WITHOUT NOTICE DUE TO NEW MATERIALS OR PRODUCT IMPROVEMENT.
 CONFIDENTIAL INFORMATION
 THE INFORMATION CONTAINED IN THIS DOCUMENT IS THE PROPERTY OF LUMEX INC. EXCEPT AS SPECIFICALLY AUTHORIZED IN WRITING BY LUMEX INC., THE HOLDER OF THIS DOCUMENT SHALL KEEP ALL INFORMATION CONTAINED HEREIN CONFIDENTIAL AND SHALL PROTECT SAME IN WHOLE OR IN PART FROM DISCLOSURE AND DISSEMINATION TO ALL THIRD PARTIES.

DATE:	08.29.11	DRAWN BY:	AB
PAGE:	1 OF 1	CHKD BY:	JD
SCALE:	NTS	APRVD BY:	JD
UNIT:	mm [INCH]		