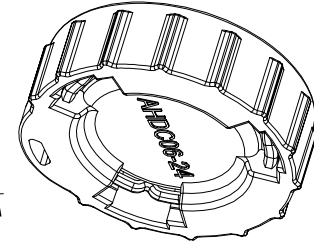
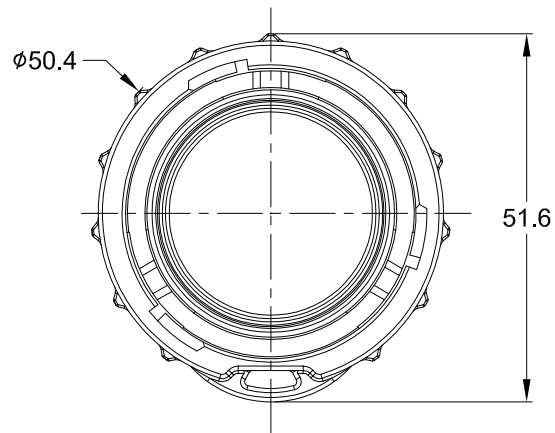
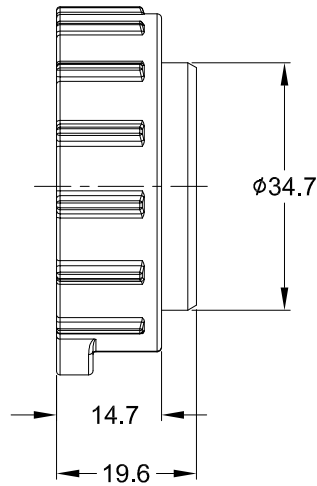
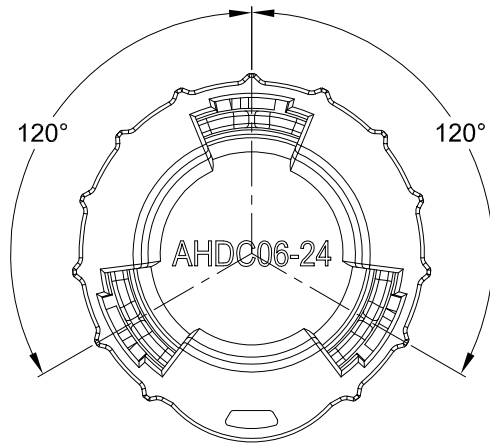


REVISIONS					
REV	ECO	DESCRIPTION	DATE	BY	APPR
A1		RELEASE NEW PRODUCT	02MAR18	RIMON	TOMMY



NOTES: UNLESS OTHERWISE SPECIFIED

1. MATERIAL: THERMOPLASTIC
2. COLORS: BLACK
3. RoHS COMPLIANT
4. COMPATIBLE WITH ALL SIZE 24 AHDP SERIES RECEPTACLE.
5. ALL DIMENSIONS ARE FOR REFERENCE USE ONLY.

AHDC06-24									
PART NUMBER		DESCRIPTION		ITEM					
QUANTITY	MATERIALS LIST								
<p>UNLESS OTHERWISE SPECIFIED</p> <p>1) All dimensions are in metric (mm).</p> <p>2) Tolerances are as follows:</p> <table border="0"> <tr> <td>1 PL DEC ±0.30</td> <td rowspan="3">Fractlons ±1/64</td> </tr> <tr> <td>2 PL DEC ±0.15</td> </tr> <tr> <td>3 PL DEC ±0.08</td> </tr> </table> <p>3) Note reference = $\triangle x$</p>		1 PL DEC ±0.30	Fractlons ±1/64	2 PL DEC ±0.15	3 PL DEC ±0.08	<p>SIGNATURES</p> <p>DATE</p> <p>DRAWN: RIMON.MA 02MAR18</p> <p>CHECKED: ORION.LI 02MAR18</p> <p>ENGINEER:</p> <p>APPROVAL: TOMMY.XIE 02MAR18</p> <p>CUSTOMER:</p>		<p>Amphenol</p> <p>Sine Systems - www.amphenol-sine.com</p> <p>44724 Morley Drive</p> <p>Clinton Township, MI 48036</p>	
1 PL DEC ±0.30	Fractlons ±1/64								
2 PL DEC ±0.15									
3 PL DEC ±0.08									
MATERIAL SPECIFICATIONS:		THIS DRAWING IS SUPPLIED FOR INFORMATION ONLY. DESIGN FEATURES, SPECIFICATIONS AND PERFORMANCE DATA SHOWN HEREON ARE THE PROPERTY OF THE AMPHENOL CORPORATION. NO RIGHTS OF REPRODUCTION ARE IMPLIED. ALL DIMENSIONS ARE SUBJECT TO NORMAL MANUFACTURING VARIATIONS.							
PROCESS SPECIFICATIONS:		SIZE		REVISION					
NEXT ASSY:		A C-		A1					
		SCALE: NONE		DWG NO: AHDC06-24					
				SHEET 1 OF 1					