

## Part Number: D318020

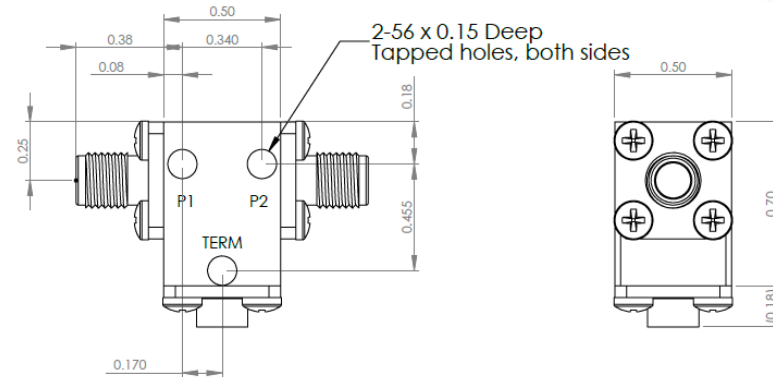
### Electrical Specifications

Frequency Range (GHz):	8.0 – 20.0
Isolation (dB):	15 MIN
Insertion Loss (dB):	1.0 MAX
VSWR:	1.45:1 MIN
Forward Power (W):	10 AVG 30 PK
Reflective Power (W):	2 AVG

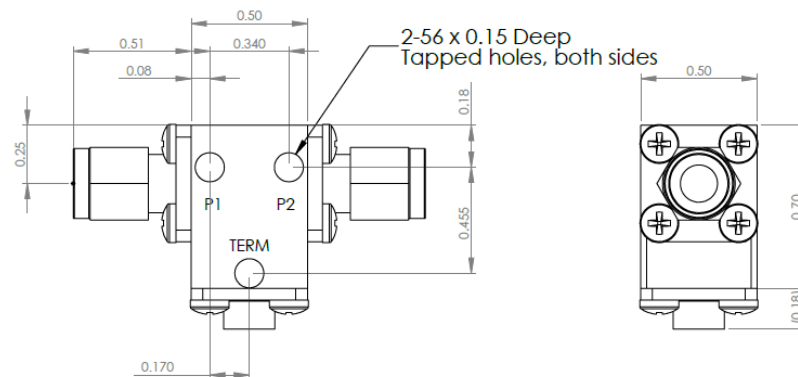
### Mechanical/Environmental Specifications

Connector Type:	SMA
Connector Body:	Passivated stainless steel
Connector Pin:	Gold plated copper
Load Body:	Brass
Magnetic Shunt:	Nickel plated CRS
Operational Temp:	-10°C to +85°C
Weight (oz)	0.9 MAX

### D318020 Dimensions



### D318020-3 Dimensions



Dimensions are in inches  
Tolerance

XX ±0.03  
XXX ±0.010

Type of Device	PN Suffix	Connector Configuration Input / Output	PN Example
Single and Dual Junction Isolator, 2-Port Device	N/A	Female / Female	D318020
	-1	Male / Female	D318020-1
	-2	Female / Male	D318020-2
	-3	Male / Male	D318020-3



# MEASURED DATA

Part Number: D3I8020, +25°C

