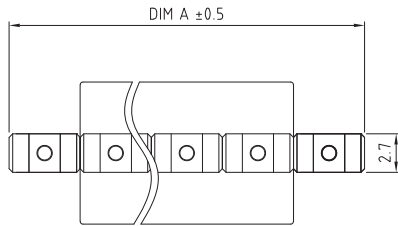
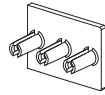


THIS DRAWING IS UNPUBLISHED. RELEASED FOR PUBLICATION  
 © COPYRIGHT - By - ALL RIGHTS RESERVED.

REVISIONS				
P	LTR	DESCRIPTION	DATE	DWN APVD
A		NEW DRAWING	03MAY2016	RS RH



Pickup Covers



3 Pole Cover for Odd # of poles



2 Pole Cover for Even # of poles

SPECIFICATIONS:

MATERIALS

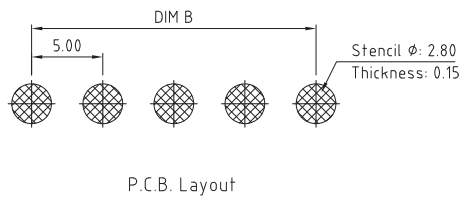
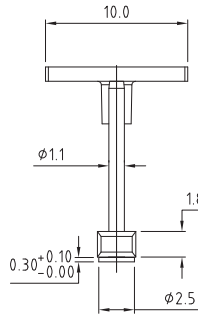
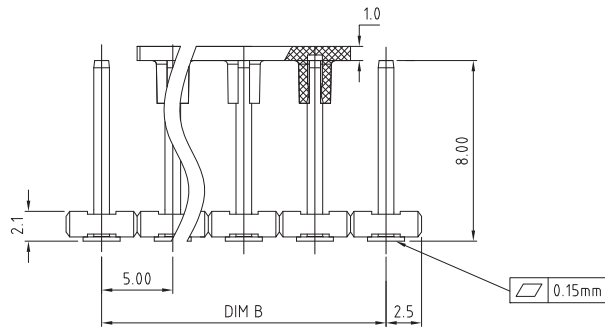
CONTACT SOLDER PIN: BRASS, SN PLATED  
 INSULATING BODY: PA46, GLASS FILLED (UL94-V0)

ELECTRICAL

VOLTAGE RATING: 300 VAC  
 CURRENT RATING: 10 A  
 WITHSTANDING VOLTAGE: 1500 VAC FOR 1 MINUTE

ENVIRONMENTAL

OPERATING TEMPERATURE: -40°C TO +125°C



1 ALL MATERIALS AND FINISHES SHALL COMPLY WITH EU DIRECTIVE 2002/95/EC OF 27JAN2003 (ROHS).

2 DESIGNED FOR USE WITH TERMINAL BLOCKS 2213864.

55.0	60.0	12	1-2213865-2
45.0	50.0	10	1-2213865-0
40.0	45.0	9	2213865-9
35.0	40.0	8	2213865-8
30.0	35.0	7	2213865-7
25.0	30.0	6	2213865-6
20.0	25.0	5	2213865-5
15.0	20.0	4	2213865-4
10.0	15.0	3	2213865-3
5.0	10.0	2	2213865-2
DIM B	DIM A	POSITIONS	TE PART NUMBER

THIS DRAWING IS A CONTROLLED DOCUMENT.		DWN RAVIS 03MAY2016	TE Connectivity
DIMENSIONS: mm		CHK R. HILL 03MAY2016	
TOLERANCES UNLESS OTHERWISE SPECIFIED:		APVD R. HILL 03MAY2016	NAME 5.00MM PIN STRIP
0 PLC ± -	1 PLC ± 0.3	PRODUCT SPEC	-
2 PLC ± 0.01	3 PLC ± -	APPLICATION SPEC	-
4 PLC ± -	ANGLES ± -	FINISH	-
MATERIAL	FINISH	WEIGHT	SIZE A2
-	-	-	CAGE CODE 00779
CUSTOMER DRAWING		SCALE 1:1	DRAWING NO 2213865
		SHEET 1 of 1	RESTRICTED TO REV A