

# PART No. MATRIX

**E 2 6 E 0 6 0 2 1 M X X X X**

E=ETHERNET/  
Ethernet

HEADS:  
2 = M12 x Coding  
6 = RJ45

HEADS STYLE:  
060 = MALE STR / MALE STR

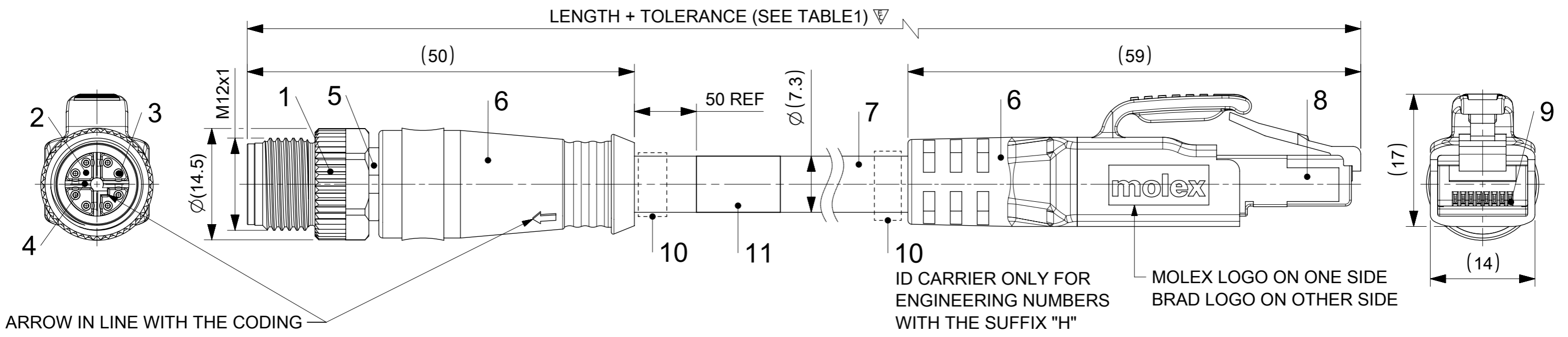
CABLE TYPE :  
CABLE 21

UNITS:  
M= METER  
T= 10xMETER

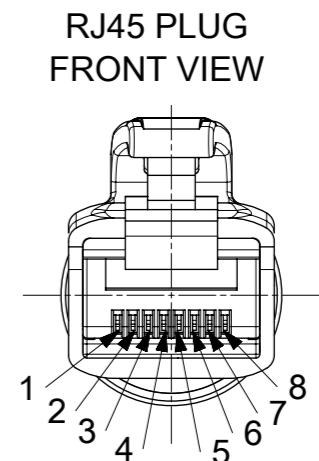
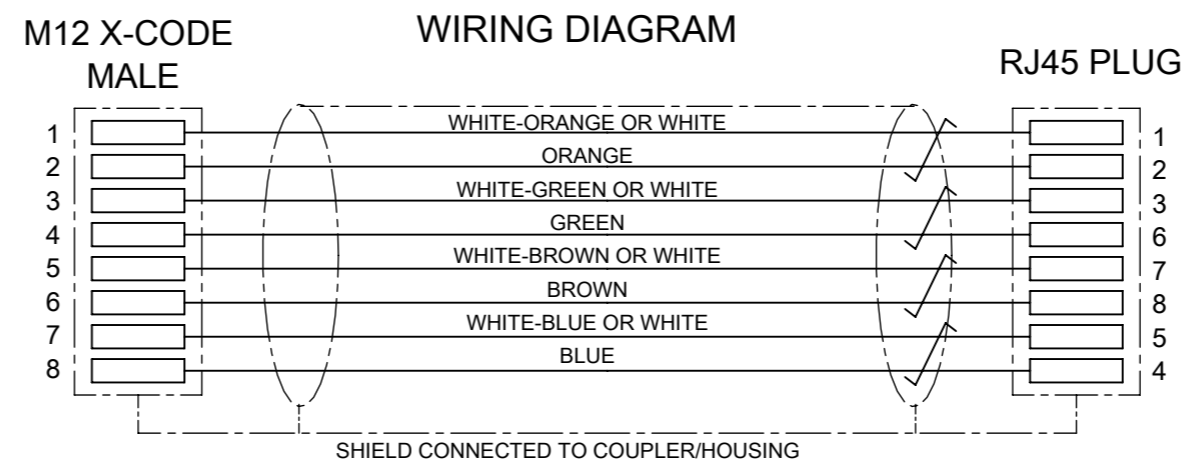
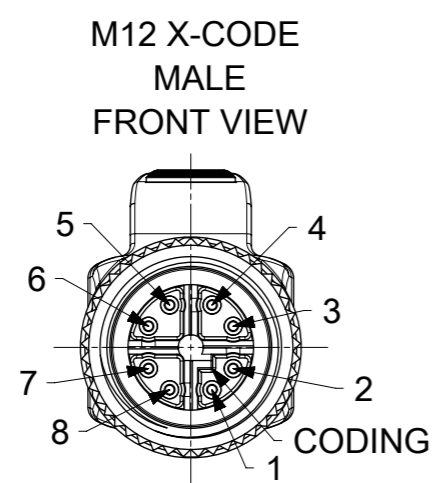
LENGTH EXAMPLES:  
005=0.5 m  
010=1 m  
150=15 m  
T100=100 m

H= 2 PCS. OF I/D Carrier

WIRING TYPE:  
E=8 Pole (STRAIGHT WIRED)

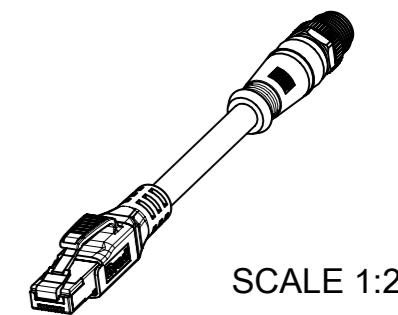


ARROW IN LINE WITH THE CODING  
BRAD LOGO ON OTHER SIDE



## BILL OF MATERIAL

| ITEM | QTY           | DESCRIPTION                | MATERIAL        | FINISH/COLOR        |
|------|---------------|----------------------------|-----------------|---------------------|
| 1    | 1             | COUPLING NUT               | BRASS           | Ni PLATED           |
| 2    | 1             | INSERT                     | PA              | BLACK               |
| 3    | 8             | CONTACT M12 XC MALE        | BRASS           | Au PLATED           |
| 4    | 1             | SHIELDING CROSS            | Zn DIE-CAST     | -                   |
| 5    | 1             | SHIELDING SHELL            | BRASS           | Ni PLATED           |
| 6    | -             | OVERMOULD                  | TPU             | BLACK               |
| 7    | 1             | CABLE 4X(2X AWG26/7) CAT 7 | TPE             | GREEN               |
| 8    | 1             | PLUG RJ45                  | -               | -                   |
| 9    | 8             | CONTACT RJ45               | PHOSPHOR BRONZE | SELECTIVE Au PLATED |
| 10   | SEE PN MATRIX | ID CARRIER                 | PVC             | TRANSPARENT         |
| 11   | 1             | LABEL 2.0X1.75             | VINYL           | YELLOW              |



|                    |  |  |                         |                       |                                    |
|--------------------|--|--|-------------------------|-----------------------|------------------------------------|
| FUNCTIONAL SYMBOLS | THIS DRAWING CONTAINS INFORMATION THAT IS PROPRIETARY TO MOLEX ELECTRONIC TECHNOLOGIES, LLC AND SHOULD NOT BE USED WITHOUT WRITTEN PERMISSION  | CURRENT REV DESC: NOTE CHANGED   |                         | <b>molex</b>          |                                    |
|                    | DIMENSION UNITS: <b>mm</b><br>SCALE: <b>2:1</b><br>GENERAL TOLERANCES (UNLESS SPECIFIED)<br>ANGULAR TOL ± 1.0°<br>4 PLACES ±<br>3 PLACES ±<br>2 PLACES ± 0.05<br>1 PLACE ± 0.3<br>0 PLACES ± 0.5 | EC NO: 692351<br>DRWN: ARPITT<br>CHK'D: RSILLER<br>APPR: RSILLER<br>2022/01/19<br>2022/01/25<br>2022/01/25 |                         |                       |                                    |
| DIVISIONAL SYMBOLS | DRAFT WHERE APPLICABLE<br>MUST REMAIN WITHIN DIMENSIONS  | THIRD ANGLE PROJECTION   | DRAWING: <b>A3-SIZE</b> | SERIES: <b>120341</b> | DOCUMENT NUMBER: <b>1203410874</b> |
|                    | MATERIAL NUMBER: SEE TABLE 1<br>CUSTOMER: GENERAL MARKET   | DOC TYPE: PSD<br>DOC PART: 000<br>REVISION: A3   | SHEET NUMBER: 1 OF 2    |                       |                                    |

TABLE 1

| MOLEX P/N       | ENGINEERING NO. | DESCRIPTION                         | LENGTH |
|-----------------|-----------------|-------------------------------------|--------|
| 1203410874      | E26E06021M005   | M12 CAT6A M/RJ45 ST/ST TPE GREEN    | 500    |
| 1203410875      | E26E06021M010   | M12 CAT6A M/RJ45 ST/ST TPE GREEN    | 1000   |
| 1203410876      | E26E06021M020   | M12 CAT6A M/RJ45 ST/ST TPE GREEN    | 2000   |
| 1203410877      | E26E06021M030   | M12 CAT6A M/RJ45 ST/ST TPE GREEN    | 3000   |
| 1203410878      | E26E06021M040   | M12 CAT6A M/RJ45 ST/ST TPE GREEN    | 4000   |
| 1203410879      | E26E06021M050   | M12 CAT6A M/RJ45 ST/ST TPE GREEN    | 5000   |
| 1203410880      | E26E06021M060   | M12 CAT6A M/RJ45 ST/ST TPE GREEN    | 6000   |
| 1203410897      | E26E06021M070   | M12 CAT6A M/RJ45 ST/ST TPE GREEN    | 7000   |
| 1203410881      | E26E06021M080   | M12 CAT6A M/RJ45 ST/ST TPE GREEN    | 8000   |
| 1203410898      | E26E06021M090   | M12 CAT6A M/RJ45 ST/ST TPE GREEN    | 9000   |
| 1203410882      | E26E06021M100   | M12 CAT6A M/RJ45 ST/ST TPE GREEN    | 10000  |
| 1203410883      | E26E06021M150   | M12 CAT6A M/RJ45 ST/ST TPE GREEN    | 15000  |
| 1203410884      | E26E06021M200   | M12 CAT6A M/RJ45 ST/ST TPE GREEN    | 20000  |
| WITH ID CARRIER |                 |                                     |        |
| 1203411039      | E26E06021M010H  | M12 CAT6A M/RJ45 ST/ST TPE GREEN ID | 1000   |
| 1203411040      | E26E06021M020H  | M12 CAT6A M/RJ45 ST/ST TPE GREEN ID | 2000   |
| 1203411041      | E26E06021M030H  | M12 CAT6A M/RJ45 ST/ST TPE GREEN ID | 3000   |
| 1203411042      | E26E06021M040H  | M12 CAT6A M/RJ45 ST/ST TPE GREEN ID | 4000   |
| 1203411043      | E26E06021M050H  | M12 CAT6A M/RJ45 ST/ST TPE GREEN ID | 5000   |
| 1203411095      | E26E06021M060H  | M12 CAT6A M/RJ45 ST/ST TPE GREEN ID | 6000   |
| 1203411097      | E26E06021M080H  | M12 CAT6A M/RJ45 ST/ST TPE GREEN ID | 8000   |
| 1203411096      | E26E06021M070H  | M12 CAT6A M/RJ45 ST/ST TPE GREEN ID | 7000   |
| 1203411004      | E26E06021M100H  | M12 CAT6A M/RJ45 ST/ST TPE GREEN ID | 10000  |
| 1203411098      | E26E06021M120H  | M12 CAT6A M/RJ45 ST/ST TPE GREEN ID | 12000  |
| 1203411005      | E26E06021M150H  | M12 CAT6A M/RJ45 ST/ST TPE GREEN ID | 15000  |
| 1203411044      | E26E06021M200H  | M12 CAT6A M/RJ45 ST/ST TPE GREEN ID | 20000  |
| 1203411099      | E26E06021M250H  | M12 CAT6A M/RJ45 ST/ST TPE GREEN ID | 25000  |
| 1203411045      | E26E06021M300H  | M12 CAT6A M/RJ45 ST/ST TPE GREEN ID | 30000  |
| 1203411046      | E26E06021M350H  | M12 CAT6A M/RJ45 ST/ST TPE GREEN ID | 35000  |
| 1203411047      | E26E06021M400H  | M12 CAT6A M/RJ45 ST/ST TPE GREEN ID | 40000  |
| 1203410989      | E26E06021M450H  | M12 CAT6A M/RJ45 ST/ST TPE GREEN ID | 45000  |
| 1203411048      | E26E06021M500H  | M12 CAT6A M/RJ45 ST/ST TPE GREEN ID | 50000  |
| 1203411049      | E26E06021M550H  | M12 CAT6A M/RJ45 ST/ST TPE GREEN ID | 55000  |
| 1203410990      | E26E06021M600H  | M12 CAT6A M/RJ45 ST/ST TPE GREEN ID | 60000  |
| 1203410991      | E26E06021M650H  | M12 CAT6A M/RJ45 ST/ST TPE GREEN ID | 65000  |
| 1203410992      | E26E06021M700H  | M12 CAT6A M/RJ45 ST/ST TPE GREEN ID | 70000  |
| 1203411050      | E26E06021M750H  | M12 CAT6A M/RJ45 ST/ST TPE GREEN ID | 75000  |
| 1203410993      | E26E06021M800H  | M12 CAT6A M/RJ45 ST/ST TPE GREEN ID | 80000  |
| 1203410994      | E26E06021M850H  | M12 CAT6A M/RJ45 ST/ST TPE GREEN ID | 85000  |

NOTES:

VOLTAGE RATING: 30 V A.C. OR 42 V D.C.

CURRENT RATING: 0.5 A

TEMPERATURE RATING:

STATIC: -40 °C TO 80 °C

DYNAMIC: -25 °C TO 80 °C

IP RATING:

M12 SIDE IP 67 (IN MATED AND LOCKED CONDITION)

RJ45 SIDE IP 20


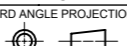
TRANSMISSION CHARACTERISTICS ACCORDING TO ISO/IEC 11801 CLASS E<sub>A</sub> CHANNEL,

WITH INSERTION LOSS BEING IGNORED FOR CABLE LENGTHS <1 m OR >65 m

PACKAGING: CORDSETS ARE PACKED IN A POLYBAG

CABLE LENGTH TOLERANCES

| LENGTH       | TOLERANCE  |
|--------------|------------|
| 0 m - 1 m    | +40 mm     |
| >1 m - 5 m   | +60 mm     |
| >5 m - 10 m  | +80 mm     |
| >10 m - 20 m | +140 mm    |
| >20 m - 30 m | +160 mm    |
| >30 m        | +1% length |

|                    |   |                   |   |  |
|--------------------|---|-------------------|---|--|
| FUNCTIONAL SYMBOLS | THIS DRAWING CONTAINS INFORMATION THAT IS PROPRIETARY TO MOLEX ELECTRONIC TECHNOLOGIES, LLC AND SHOULD NOT BE USED WITHOUT WRITTEN PERMISSION |                   | CURRENT REV DESC: NOTE CHANGED  |  |
| ▽/A = 0            | mm  | SCALE 1:1         | <br>CSE M12 CAT6A RJ45 8P MA STR TPE XM SHLD<br>PRODUCT CUSTOMER DRAWING |  |
| ▽/E = 0            | GENERAL TOLERANCES (UNLESS SPECIFIED)   |                   |   |  |
| ▽/P = 0            | ANGULAR TOL ± 1.0°  |                   |   |  |
| DIVISIONAL SYMBOLS | 4 PLACES ±  | EC NO: 692351     | 2022/01/19  | DOCUMENT NUMBER: 1203410874<br>DOC TYPE: PSD<br>DOC PART: 000<br>REVISION: A3    |
|                    | 3 PLACES ±  | DRWN: ARPITT      | 2022/01/25  |  |
|                    | 2 PLACES ± 0.05   | CHK'D: RSILLER    | 2022/01/25  | MATERIAL NUMBER: SEE TABLE 1<br>CUSTOMER: GENERAL MARKET<br>SHEET NUMBER: 2 OF 2 |
|                    | 1 PLACE ± 0.3   | APPR: RSILLER     |   |  |
|                    | 0 PLACES ± 0.5  | INITIAL REVISION: | 2019/05/14  |  |
|                    | DRAFT WHERE APPLICABLE MUST REMAIN WITHIN DIMENSIONS  | DRWN: RSCHEBER    | 2021/03/16  |  |
|                    |   | APPR: RSILLER     |   |  |
|                    | THIRD ANGLE PROJECTION  | DRAWING           | SERIES  |  |
|                    |    | A3-SIZE           | 120341  |  |