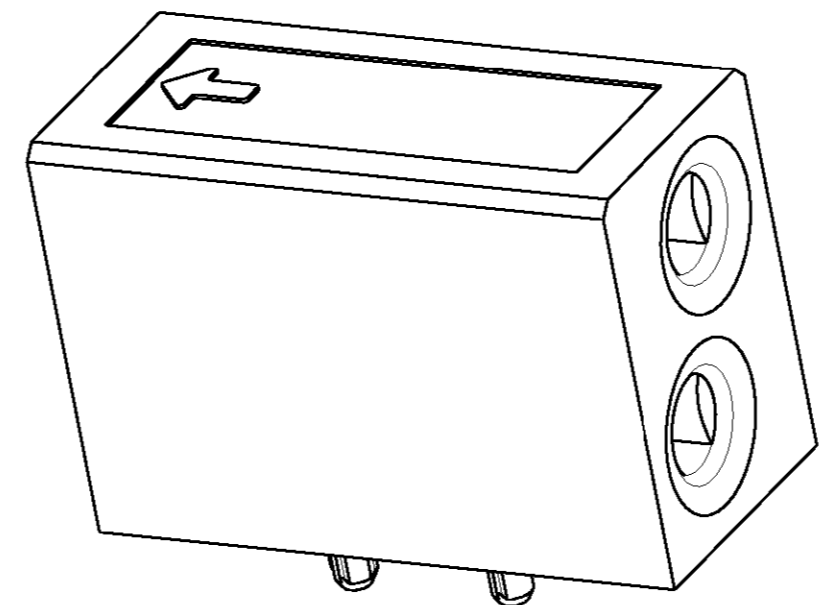
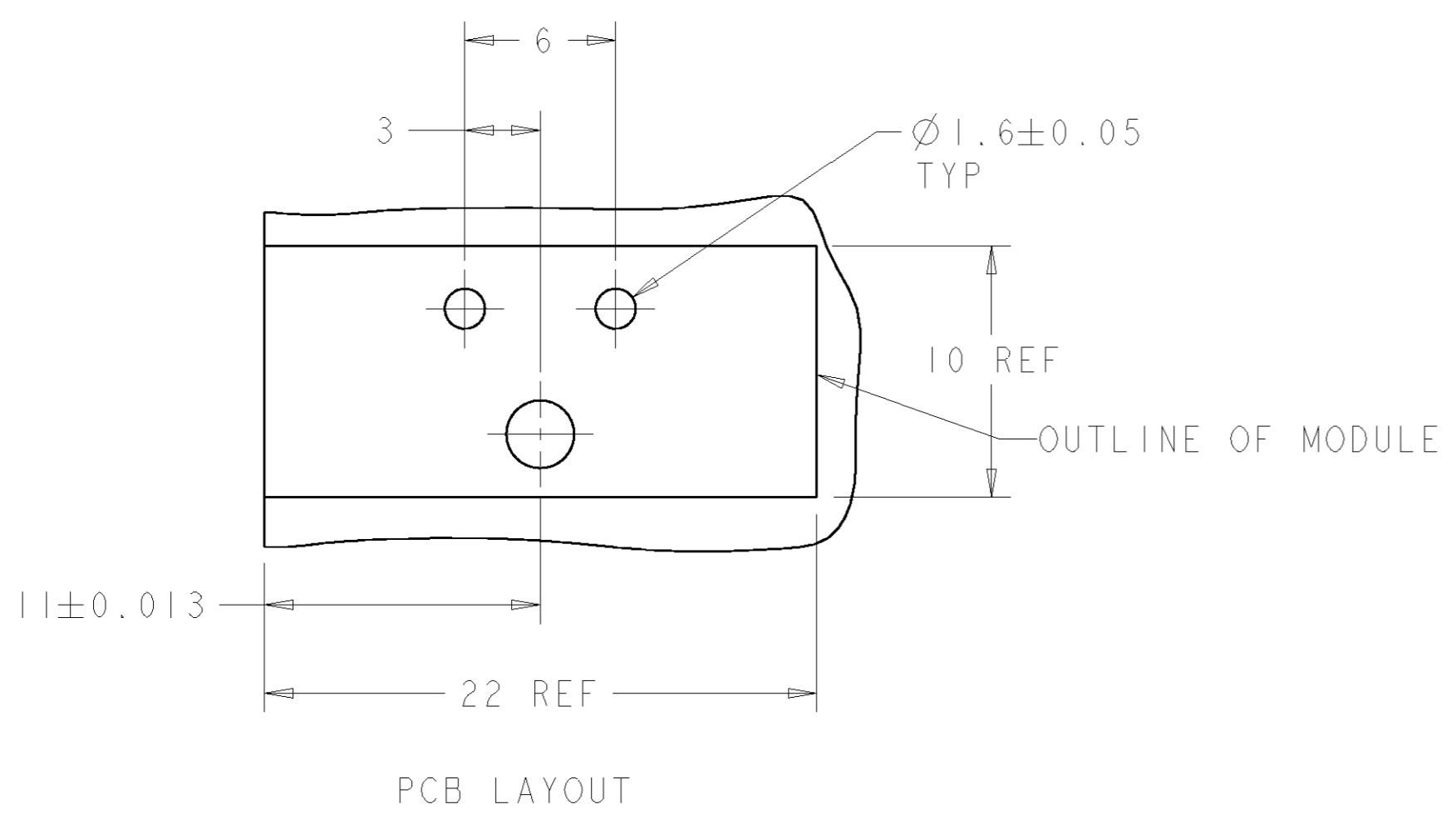
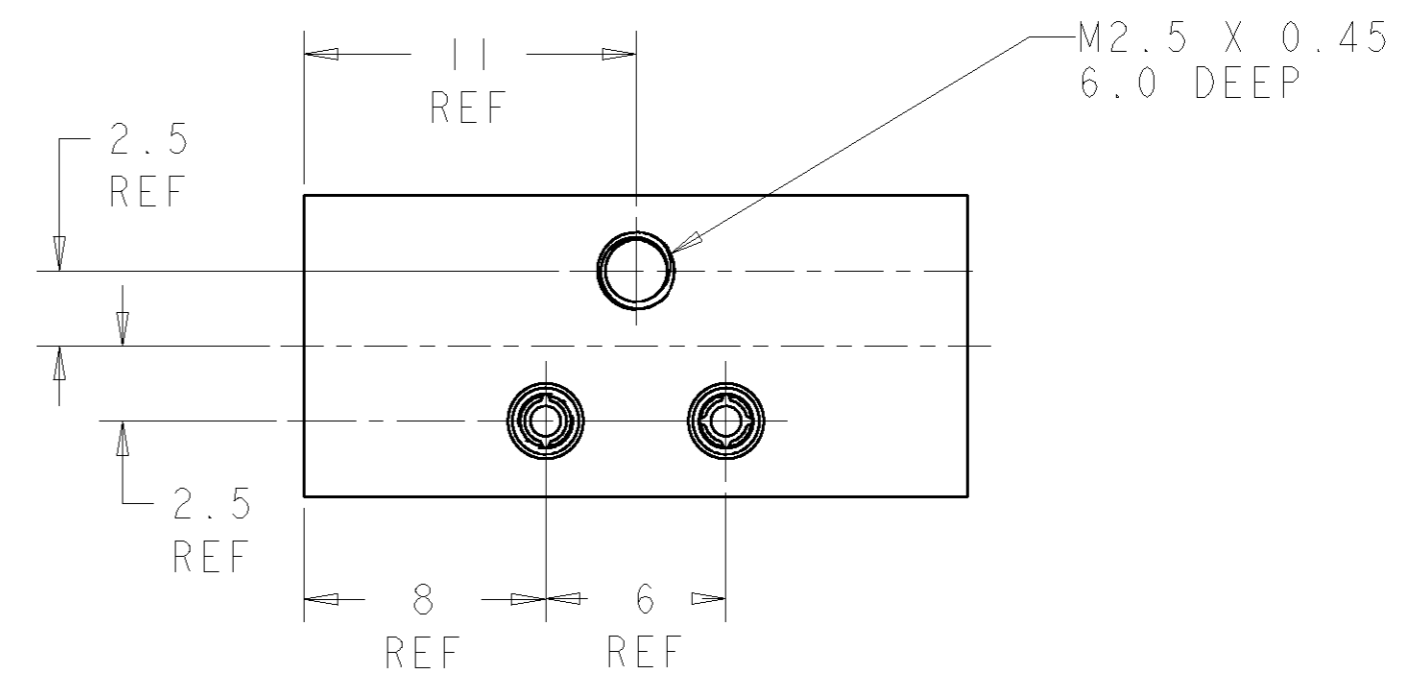
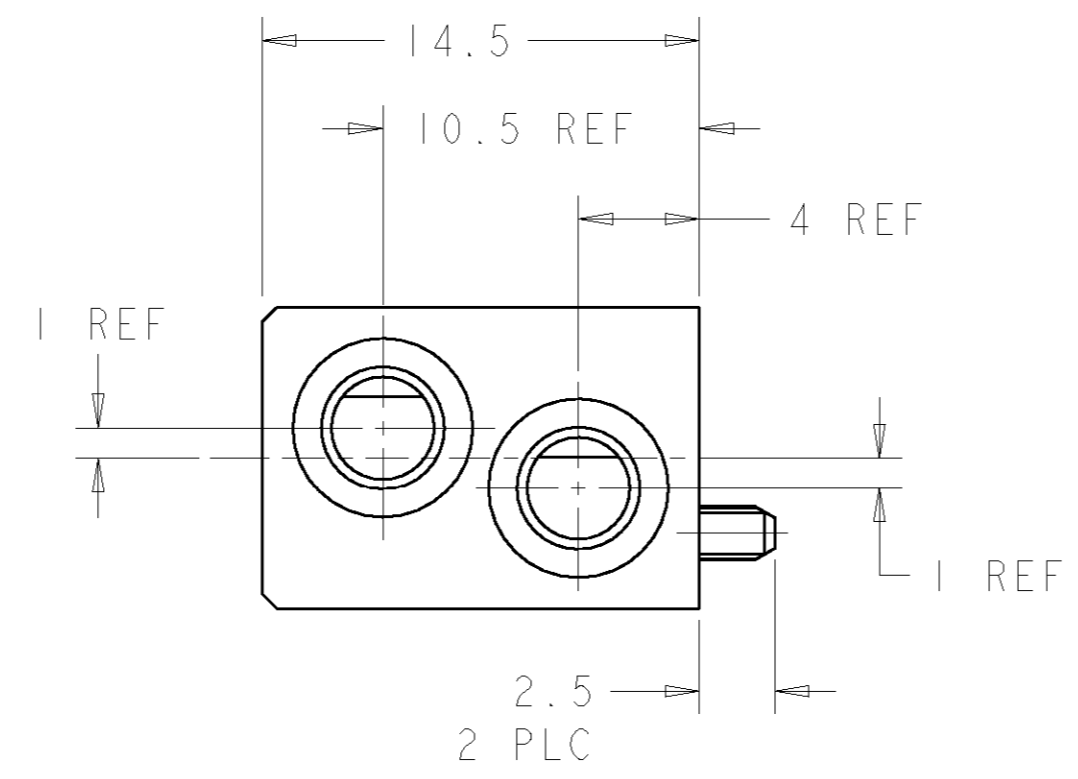
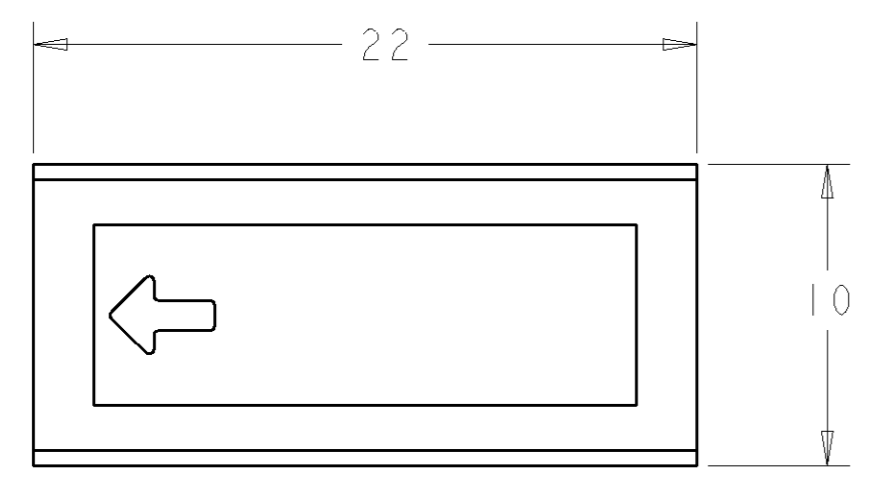


THIS DRAWING IS UNPUBLISHED. RELEASED FOR PUBLICATION 20
 © COPYRIGHT 20 BY TYCO ELECTRONICS CORPORATION. ALL RIGHTS RESERVED.

LOC	DIST	REVISIONS					
		P	LTR	DESCRIPTION	DATE	DWN	APVD
AD	00		0	RELEASED	06APR2006	BC	RP
			A	REV PER ECO-06-008400	18APR2006	BC	RP



1. RECOMMENDED MOUNTING HARDWARE- M2.5 X 0.45 SCREW, 4.0MM LONG UP TO 2.9 MM THICK PCB, 6.0MM LONG FOR 3.0 TO 4.0 MM THICK PCB, 8.0MM FOR 4.1 TO 6.0MM THICK PCB, 10.0MM FOR 6.1 TO 8.0MM THICK PCB. (HARDWARE NOT SUPPLIED WITH PART NUMBER)

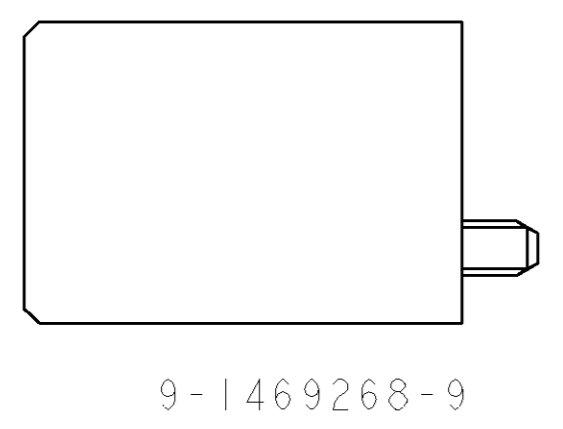
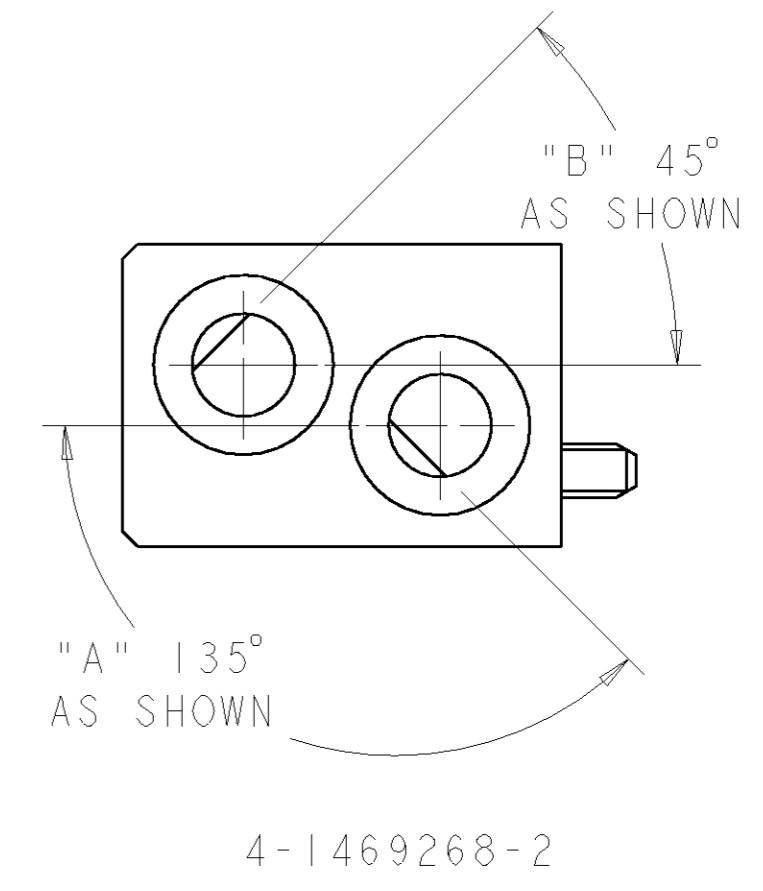
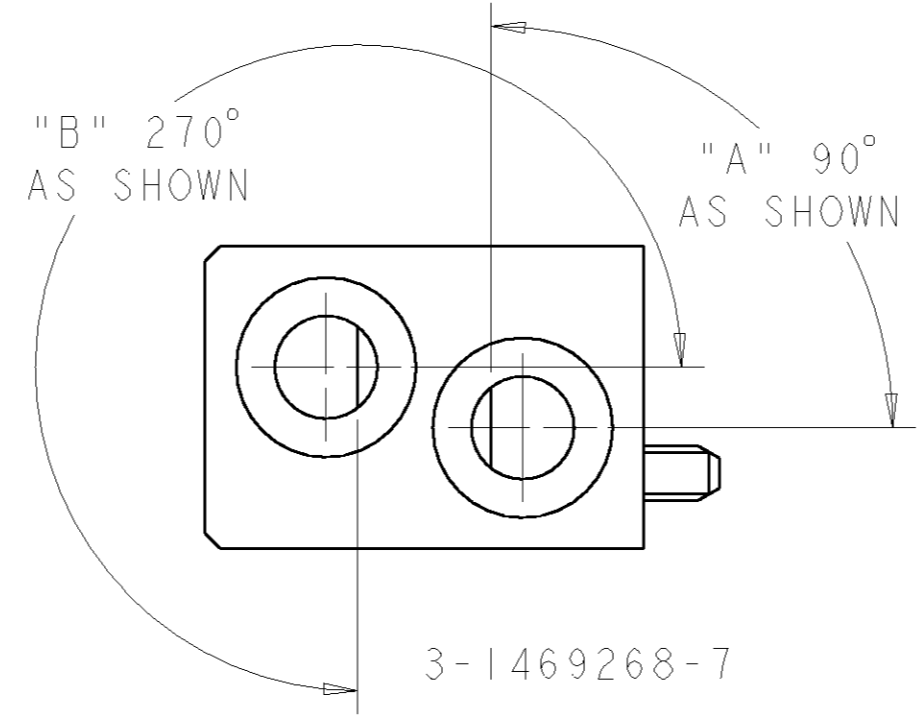
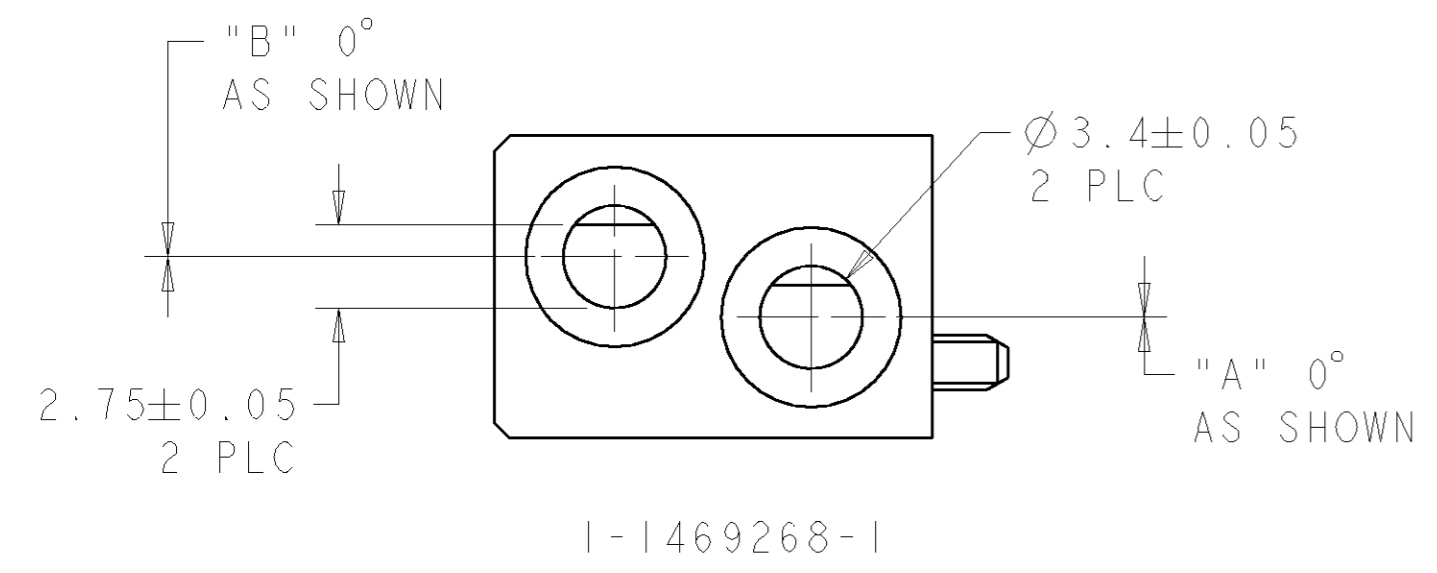


N/A	N/A	UNKEYED	9-1469268-9
135°	45°	4 2	4-1469268-2
90°	270°	3 7	3-1469268-7
0°	0°	1 1	1-1469268-1
"A"	"B"	KEYING POS	PART NUMBER

<small>THIS DRAWING IS A CONTROLLED DOCUMENT FOR TYCO ELECTRONICS CORPORATION. IT IS SUBJECT TO CHANGE AND THE CONTROLLING ENGINEERING ORGANIZATION SHOULD BE CONTACTED FOR THE LATEST REVISION.</small>		DWN 08 JAN 2003 CHK R. PATTERSON APVD R. PATTERSON	tyco Electronics Tyco Electronics Harrisburg, PA 17105-3608
DIMENSIONS: mm 	TOLERANCES UNLESS OTHERWISE SPECIFIED: 0 PLC ±0.2 1 PLC ±0.2 2 PLC ±0.13 3 PLC ±0.050 4 PLC ±0.0200 ANGLES ±0.5 FINISH	PRODUCT SPEC - APPLICATION SPEC - WEIGHT -	NAME ATCA GUIDE MODULE (FRONT BOARD - K1/K2) SIZE A2 CAGE CODE 00779 DRAWING NO C-1469268 RESTRICTED TO -
MATERIAL ZAMAK 3	FINISH NICKEL	CUSTOMER DRAWING	SCALE 4:1 SHEET 1 OF 2 REV A

THIS DRAWING IS UNPUBLISHED. RELEASED FOR PUBLICATION 20
 © COPYRIGHT 20 BY TYCO ELECTRONICS CORPORATION. ALL RIGHTS RESERVED.

LOC	DIST	REVISIONS					
AD	00	P	LTR	DESCRIPTION	DATE	DWN	APVD
		-		SEE SHEET 1	-	-	-



THIS DRAWING IS A CONTROLLED DOCUMENT FOR TYCO ELECTRONICS CORPORATION IT IS SUBJECT TO CHANGE AND THE CONTROLLING ENGINEERING ORGANIZATION SHOULD BE CONTACTED FOR THE LATEST REVISION.		DWN 08 JAN 2003 D. SZCZESNY CHK 06 APR 2006 R. PATTERSON APVD 06 APR 2006 R. PATTERSON	tyco Electronics Tyco Electronics Harrisburg, PA 17105-3608
DIMENSIONS: mm	TOLERANCES UNLESS OTHERWISE SPECIFIED: 0 PLC ± 0.2 1 PLC ± 0.2 2 PLC ± 0.13 3 PLC ± 0.050 4 PLC ± 0.0200 ANGLES ± 0.5	PRODUCT SPEC - APPLICATION SPEC - WEIGHT -	NAME ATCA GUIDE MODULE (FRONT BOARD - K1/K2)
MATERIAL ZAMAK 3	FINISH NICKEL	CUSTOMER DRAWING	SIZE A2 CAGE CODE 00779 DRAWING NO. C-1469268 RESTRICTED TO - SCALE 4:1 SHEET 2 OF 2 REV A