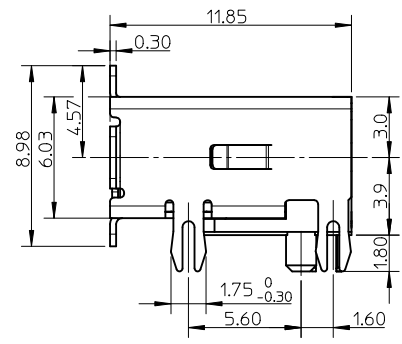
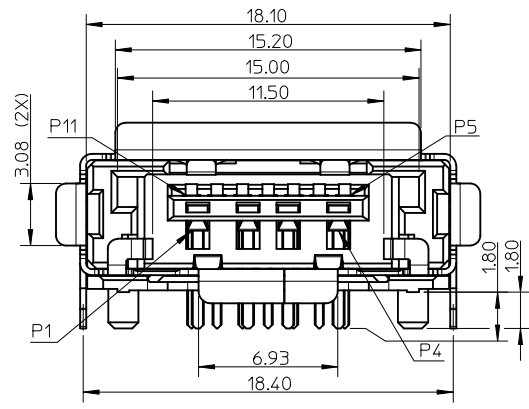
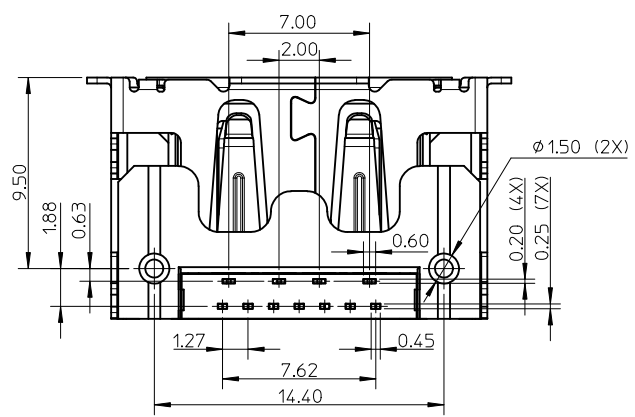
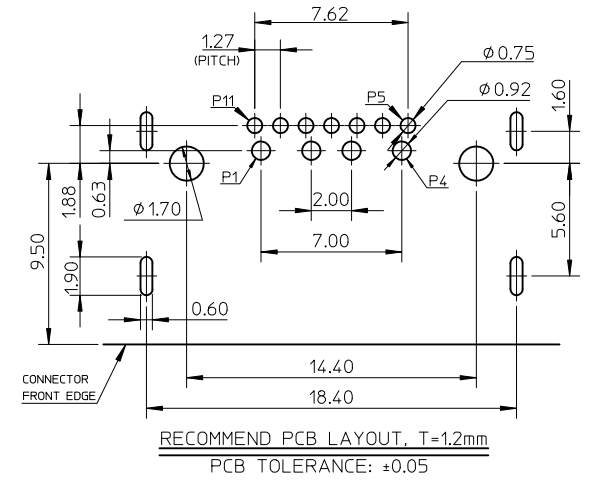


- NOTES:
- MATERIAL:
 - HOUSING: HIGH TEMPERATURE THERMOPLASTIC, 30% GLASS FILLED, BLACK, UL94V-0.
 - TAIL GUIDER: HIGH TEMPERATURE THERMOPLASTIC, 30% GLASS FILLED, BLACK, UL94V-0.
 - TERMINAL-1: COPPER ALLOY.
 - TERMINAL-2: COPPER ALLOY.
 - METAL SHELL: STAINLESS STEEL.
 - TERMINAL PLATING:
 - CONTACT AREA: GOLD PLATING. DETAIL SEE TABLE,
 - SOLDER AREA: 2.0 MICROMETRE MINIMUM MATTE TIN PLATING,
 - UNDER PLATING: 1.27 MICROMETRE MINIMUM NICKEL PLATING.
 - METAL SHELL PLATING: SOLDERABLE NICKEL PLATING.
 - DATE CODE: YYMMDD, 'YY' REPRESENTS YEAR, 'MM' REPRESENTS MONTH, 'DD' REPRESENTS DATE.
 - PRODUCT SPECIFICATION: PS-105125-001.
 - PACKAGE SPECIFICATION: RPK-105125-001.
 - PRODUCT COMPLIANT TO RoHS DIRECTIVE 2002/95/EC AND ELV DIRECTIVE 2000/53/EC.



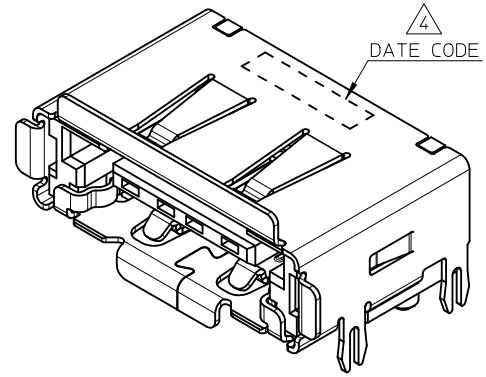
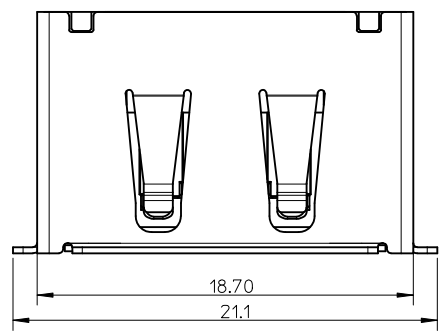
PIN ASSIGNMENT

USB		ESATA	
NAME	TYPE	NAME	TYPE
P1	VBUS	P5	GND
P2	D-	P6	A+
P3	D+	P7	A-
P4	GND	P8	GND
		P9	B-
		P10	B+
		P11	GND



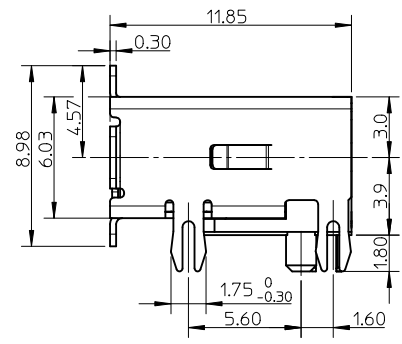
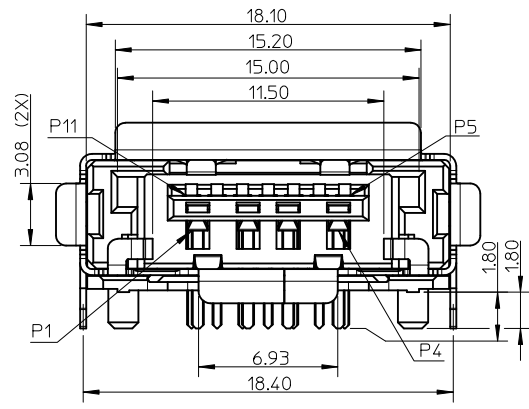
105125-4002	0.76 MICROMETRE MIN. GOLD PLATING
105125-4001	0.38 MICROMETRE MIN. GOLD PLATING
105125-4000	GOLD FLASH
P/N	CONTACT AREA PLATING

REMOVE MYLAR EC NO: SH2012-0253 DRWN:XQZHANG 2012/02/06 CH'KD:XQZHANG 2012/02/06 APPR:AYIN 2012/02/08	QUALITY SYMBOLS $F_{A'}=0$ $F_{C'}=0$ $F_{P'}=0$	GENERAL TOLERANCES (UNLESS SPECIFIED)		DIMENSION STYLE MM ONLY		SCALE 4:1	DESIGN UNITS METRIC	THIRD ANGLE PROJECTION	
		4 PLACES ± --- ± ---	mm INCH	DRAWN BY XQZHANG	DATE 2011/05/26	TITLE COMBO ESATA AND USB CONNECTOR TOP MOUNT TYPE			
		3 PLACES ± --- ± ---		CHECKED BY XJSONG	DATE 2011/05/26	MOLEX INCORPORATED			
		2 PLACES ± 0.25 ± ---		APPROVED BY XJSONG	DATE 2011/07/18	DOCUMENT NO. SD-105125-400			
		1 PLACE ± 0.25 ± ---		MATERIAL NO. SEE TABLE		SHEET NO. 1 OF 1			
		ANGULAR ± 3 °		DRAFT WHERE APPLICABLE MUST REMAIN WITHIN DIMENSIONS		THIS DRAWING CONTAINS INFORMATION THAT IS PROPRIETARY TO MOLEX INCORPORATED AND SHOULD NOT BE USED WITHOUT WRITTEN PERMISSION			



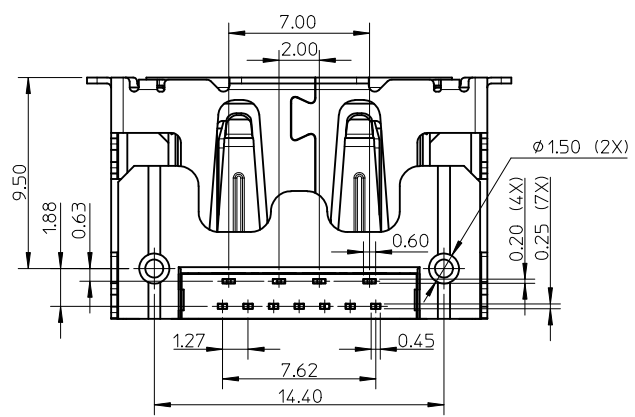
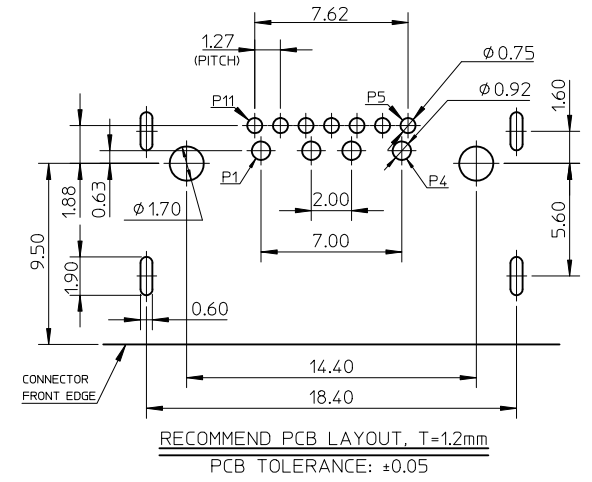
NOTES:

- MATERIAL:
 - HOUSING: HIGH TEMPERATURE THERMOPLASTIC, 30% GLASS FILLED, BLACK, UL94V-0.
 - TAIL GUIDER: HIGH TEMPERATURE THERMOPLASTIC, 30% GLASS FILLED, BLACK, UL94V-0.
 - TERMINAL-1: COPPER ALLOY.
 - TERMINAL-2: COPPER ALLOY.
 - METAL SHELL: STAINLESS STEEL.
- TERMINAL PLATING:
 - CONTACT AREA: GOLD PLATING. DETAIL SEE TABLE,
 - SOLDER AREA: 2.0 MICROMETRE MINIMUM MATTE TIN PLATING,
 - UNDER PLATING: 1.27 MICROMETRE MINIMUM NICKEL PLATING.
- METAL SHELL PLATING: SOLDERABLE NICKEL PLATING.
- DATE CODE: YYMMDD, 'YY' REPRESENTS YEAR, 'MM' REPRESENTS MONTH, 'DD' REPRESENTS DATE.
- PRODUCT SPECIFICATION: PS-105125-001.
- PACKAGE SPECIFICATION: RPK-105125-001.
- PRODUCT COMPLIANT TO RoHS DIRECTIVE 2002/95/EC AND ELV DIRECTIVE 2000/53/EC.



PIN ASSIGNMENT

USB		ESATA	
NAME	TYPE	NAME	TYPE
P1	VBUS	P5	GND
P2	D-	P6	A+
P3	D+	P7	A-
P4	GND	P8	GND
		P9	B-
		P10	B+
		P11	GND



105125-4002	0.76 MICROMETRE MIN. GOLD PLATING
105125-4001	0.38 MICROMETRE MIN. GOLD PLATING
105125-4000	GOLD FLASH
P/N	CONTACT AREA PLATING

REMOVE MYLAR EC NO: SH2012-0253 DRWN:XQZHANG CH'KD:XQZHANG APPR:AYIN 2012/02/06 2012/02/06 2012/02/08	DESCRIPTION QUALITY SYMBOLS $F_A=0$ $F_C=0$ $F_P=0$	GENERAL TOLERANCES (UNLESS SPECIFIED)		DIMENSION STYLE MM ONLY		SCALE 4:1	DESIGN UNITS METRIC	THIRD ANGLE PROJECTION	
		4 PLACES ± --- ± --- 3 PLACES ± --- ± --- 2 PLACES ± 0.25 ± --- 1 PLACE ± 0.25 ± ---	mm INCH ± --- ± --- ± 0.25 ± --- ± 0.25 ± ---	DRAWN BY XQZHANG	DATE 2011/05/26	TITLE COMBO ESATA AND USB CONNECTOR TOP MOUNT TYPE			
		ANGULAR ± 3 °		CHECKED BY XJSONG	DATE 2011/05/26	MOLEX INCORPORATED			
		DRAFT WHERE APPLICABLE MUST REMAIN WITHIN DIMENSIONS		APPROVED BY XJSONG	DATE 2011/07/18	MATERIAL NO. SEE TABLE	DOCUMENT NO. SD-105125-400	SHEET NO. 1 OF 1	

THIS DRAWING CONTAINS INFORMATION THAT IS PROPRIETARY TO MOLEX INCORPORATED AND SHOULD NOT BE USED WITHOUT WRITTEN PERMISSION