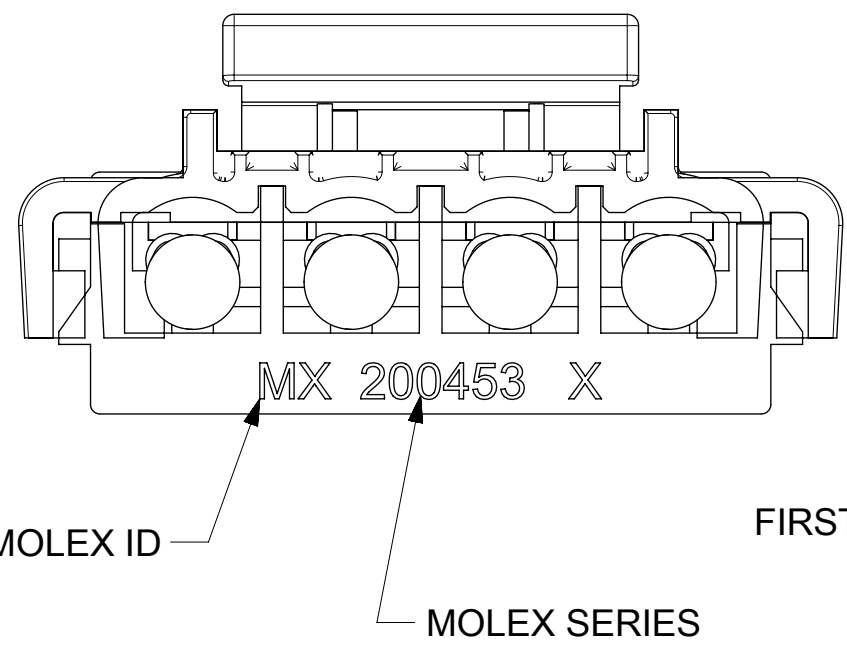
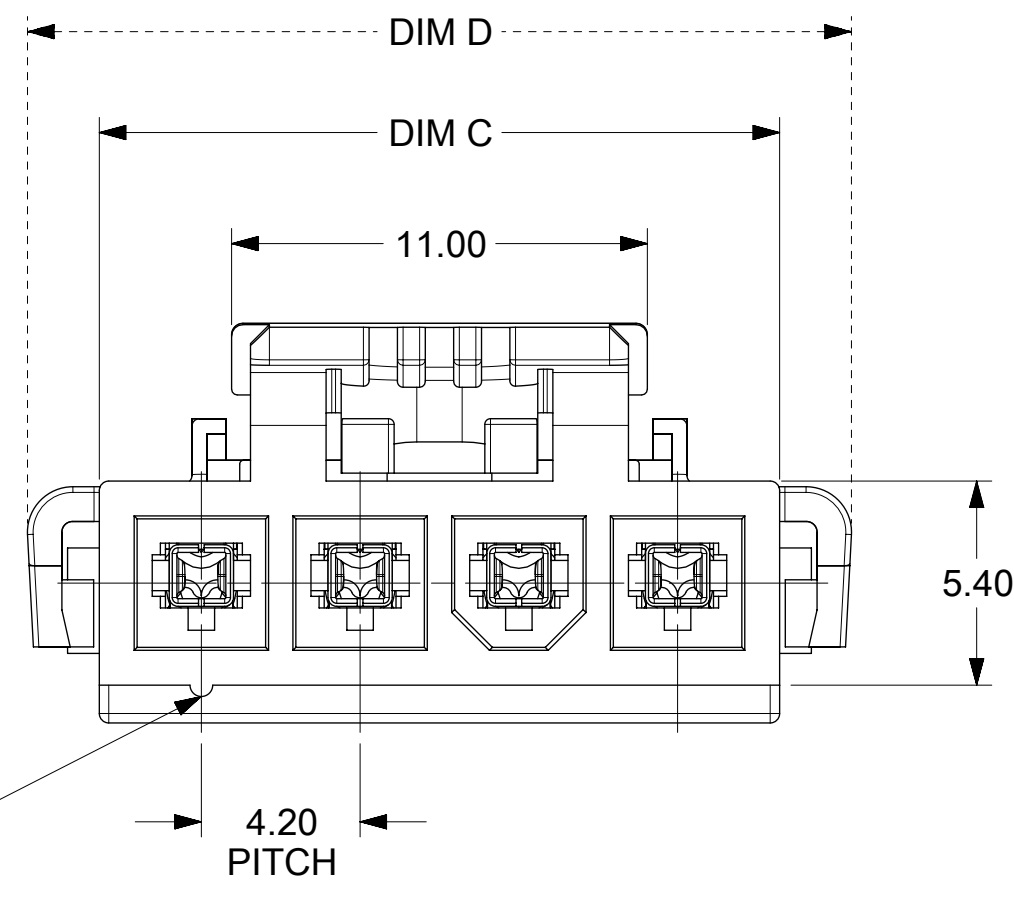
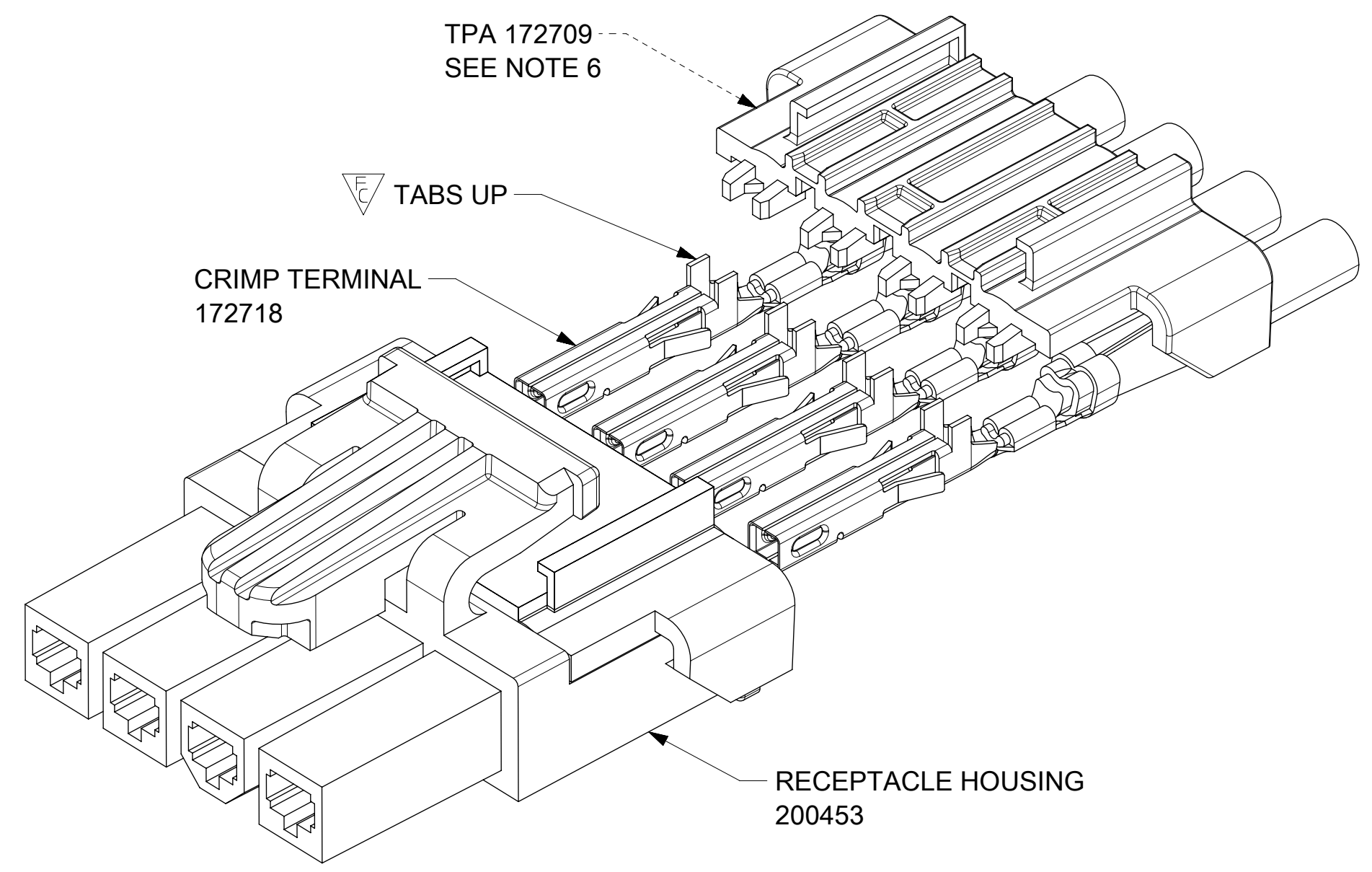
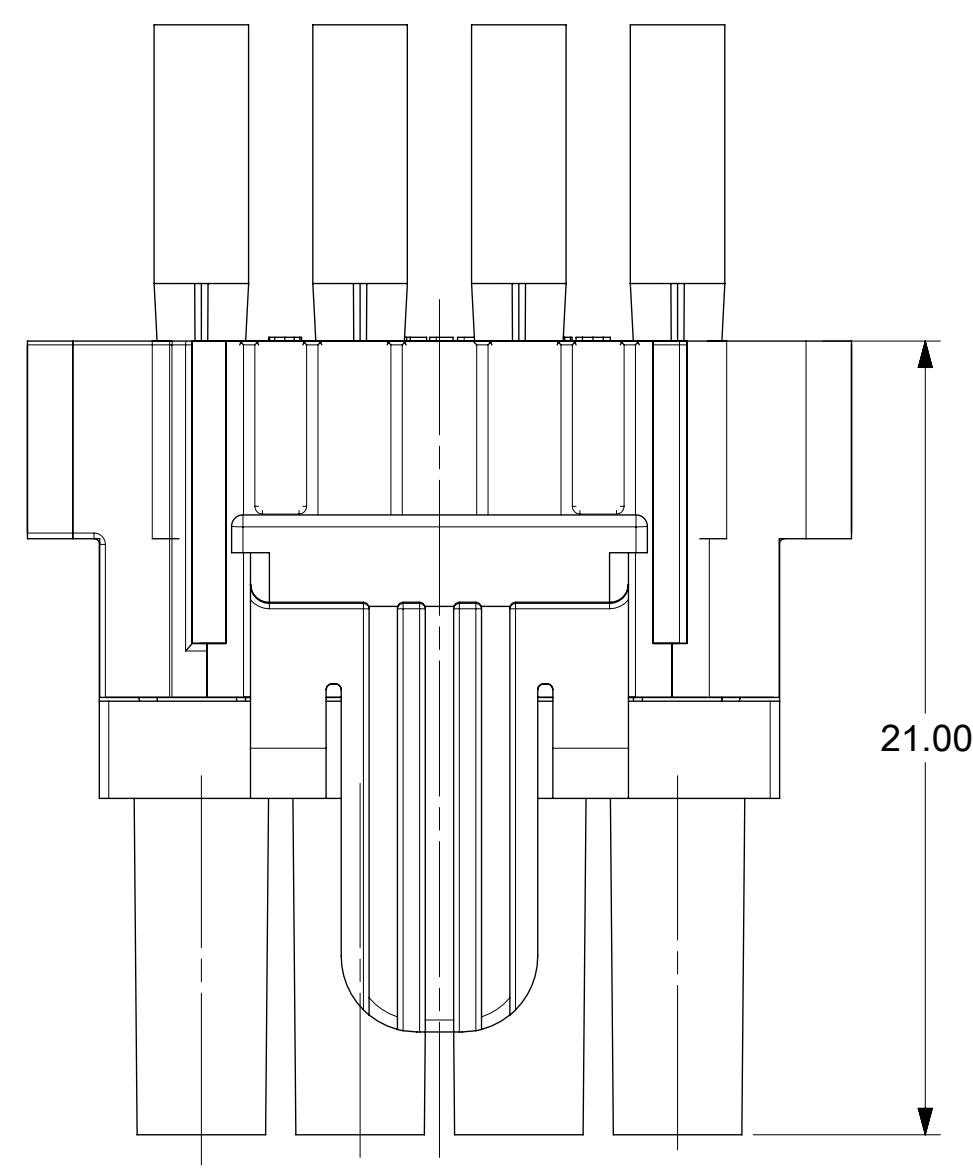


PART NUMBER	CKTS	DIM C	DIM D	MATERIAL
2004530002	2	9.60	13.40	A
2004530102	2	9.60	13.40	B
2004530202	2	9.60	13.40	C
2004530003	3	13.80	17.60	A
2004530103	3	13.80	17.60	B
2004530203	3	13.80	17.60	C
2004530004	4	18.00	21.80	A
2004530104	4	18.00	21.80	B
2004530204	4	18.00	21.80	C
2004530005	5	22.20	26.00	A
2004530105	5	22.20	26.00	B
2004530205	5	22.20	26.00	C
2004530006	6	26.40	30.20	A
2004530106	6	26.40	30.20	B
2004530206	6	26.40	30.20	C



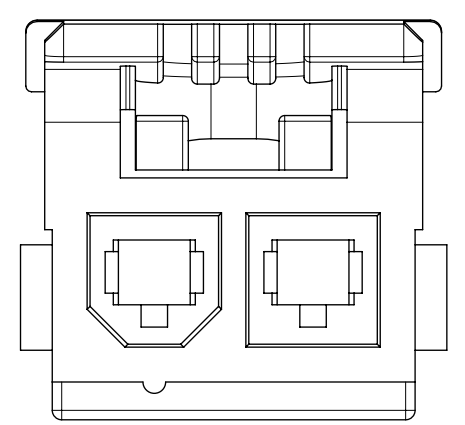
MOLEX ID
MOLEX SERIES

- NOTES:
- MATERIAL:
'A' = NYLON V-0, LOW HALOGEN, COLOR: BLACK
'B' = NYLON V-2, GLOW WIRE CAPABLE, COLOR: BLACK
'C' = NYLON V-2; COLOR: BLACK
 - FINISH: NONE
 - PRODUCT SPECIFICATION: PS-172718-0000
APPLICATION SPECIFICATION: AS-172718-0000
 - PACKAGING SPECIFICATION:
2004530000-PK
 - THIS HOUSING TO BE USED WITH FEMALE TERMINAL SERIES 172718, 202988 AND TPA SERIES 172709.
 - THIS PRODUCT MUST BE USED WITH THE TPA INSTALLED.
 - THIS PART MATES WITH SERIES 5559, 5566, 5569, 200471 AND 200488.
 - THIS PART CONFORMS TO CLASS 'B' REQUIREMENTS OF COSMETIC SPECIFICATION PS-45499-002.
 - FOR 'B' MATERIAL USE CLASS C GATE BLIMISH SPEC.

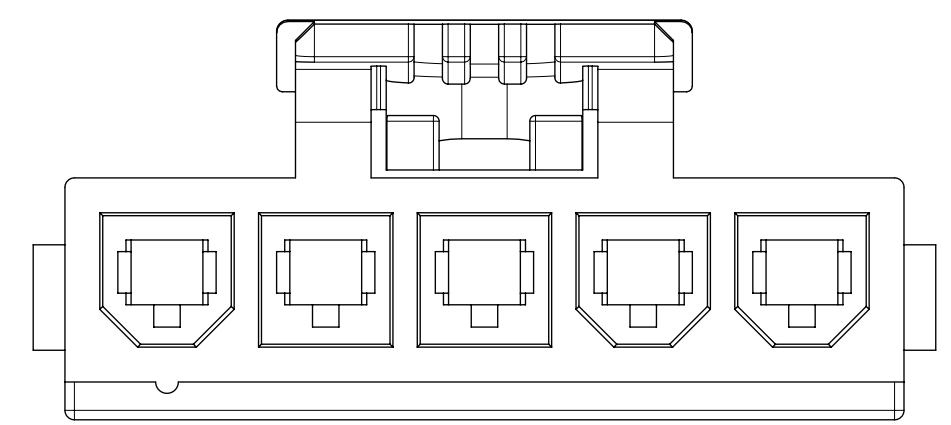
QUALITY SYMBOLS	THIS DRAWING CONTAINS INFORMATION THAT IS PROPRIETARY TO MOLEX ELECTRONIC TECHNOLOGIES, LLC AND SHOULD NOT BE USED WITHOUT WRITTEN PERMISSION		DIMENSION UNITS	SCALE	molex
▽ = 0 ▽ = 2 ▽ = 0 ▽ = 0 ▽ = 0 ▽ = 0 □ = 0 ■ = 0 ▽ = 0	EC NO: 656113 DRWN: SHRUTJ CHKD: SHRUTJ REV: APPR: ISHWARG	2021/02/19 2021/02/19 2021/06/17	mm	5:1	
	GENERAL TOLERANCES (UNLESS SPECIFIED)		DRWN BY	DATE	HOUSING, SINGLE ROW RECEPTACLE MINI-FIT TPA2
	ANGULAR TOL ± °		TGREGORI	2016/10/18	
	4 PLACES ±		CHKD BY	DATE	PRODUCT CUSTOMER DRAWING
	3 PLACES ±		TGREGORI	2016/10/18	
	2 PLACES ± 0.13		APPR BY	DATE	SERIES
	1 PLACE ± 0.2		RHODGE	2016/10/20	MATERIAL NUMBER
	0 PLACES ±		DRAWING SIZE	THIRD ANGLE PROJECTION	CUSTOMER
	DRAFT WHERE APPLICABLE MUST REMAIN WITHIN DIMENSIONS		C		200453
					SEE TABLE
					GENERAL MARKET
					DOCUMENT NUMBER
					2004530000-SD
					DOC TYPE
					PSD
					DOC PART
					000
					SHEET NUMBER
					1 OF 2

POLARIZATION DETAIL

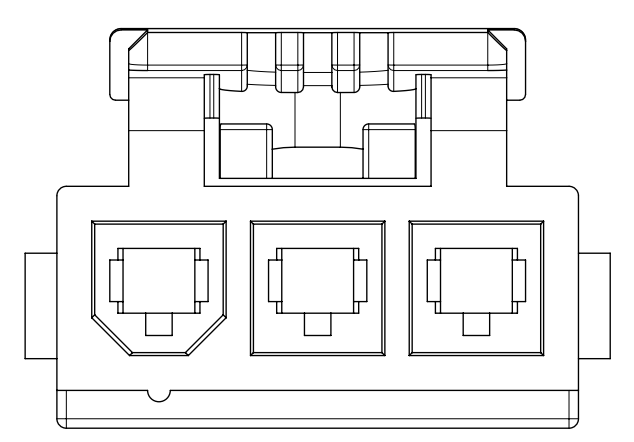
2 CKT



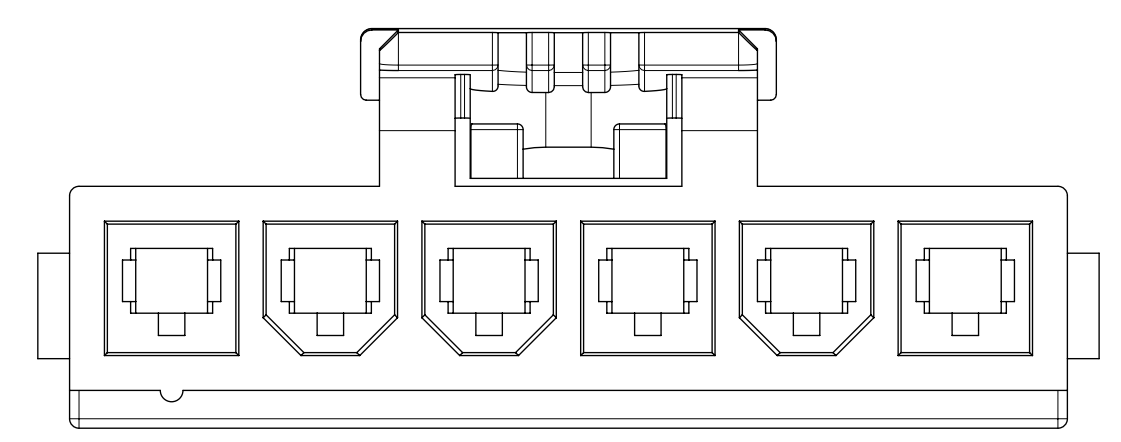
5 CKT



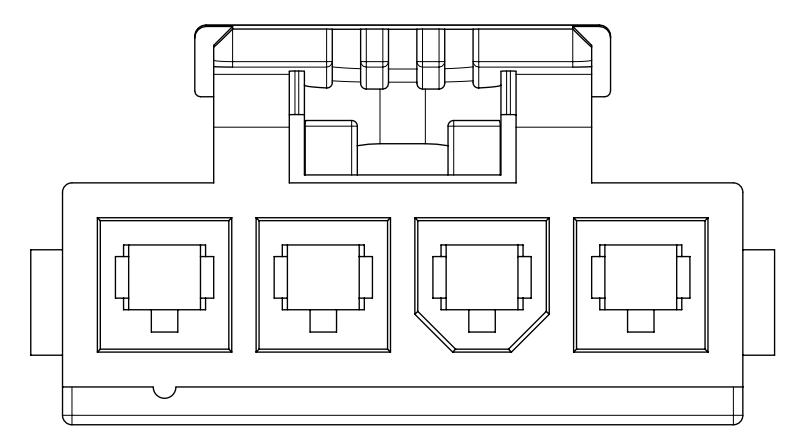
3 CKT



6 CKT



4 CKT



QUALITY SYMBOLS ▽ = 0 ▽ = 0 ▽ = 0 ▼ = 0 ▽ = 0 ⊠ = 0 ■ = 0 ▽ = 0		THIS DRAWING CONTAINS INFORMATION THAT IS PROPRIETARY TO MOLEX ELECTRONIC TECHNOLOGIES, LLC AND SHOULD NOT BE USED WITHOUT WRITTEN PERMISSION		DIMENSION UNITS mm		SCALE 1:1						
EC NO: 666113 DRWN: SHRUTJ CHKD: SHRUTJ REV: APPR: ISHWARG		2021/02/19 2021/02/19 2021/06/17		GENERAL TOLERANCES (UNLESS SPECIFIED) ANGULAR TOL ± °		DRWN BY TGREGORI					DATE 2016/10/18	
A2		4 PLACES ± 3 PLACES ± 2 PLACES ± 0.13 1 PLACE ± 0.2 0 PLACES ±		DRAFT WHERE APPLICABLE MUST REMAIN WITHIN DIMENSIONS		CHKD BY TGREGORI		DATE 2016/10/18		PRODUCT CUSTOMER DRAWING		
C		DRAFTER RHODGE		DATE 2016/10/20		APPR BY RHODGE		DATE 2016/10/20				
RELEASE STATUS P1		RELEASE DATE 2021/06/17 12:48:10		DRAWING SIZE C		THIRD ANGLE PROJECTION		DOCUMENT NUMBER 2004530000-SD		DOC TYPE DOC PART SHEET NUMBER PSD 000 2 OF 2		