



APPLICATION SPECIFICATION

APPLICATION SPECIFICATION FOR SHIELDED MODULAR PLUG 95043 SERIES

1.0 SCOPE

This specification covers the requirements for application of cable to the MOLEX shielded modular plug.

2.0 REFERENCE DOCUMENTS

2.1 Reference Specifications

- A. For product performance specification see Molex specification PS-95043
- B. For application specification see Molex specification of the mating modular jack refer to the respective Molex Application Specification

2.2 Applicable Sales Drawings:

- SDA-95043 Shielded Modular Plug Assembly
- SD-95043-002 Shielded Modular Plug Assembly with Shield No. 95042-5885

3.0 PRODUCT DESCRIPTION

3.1 Content

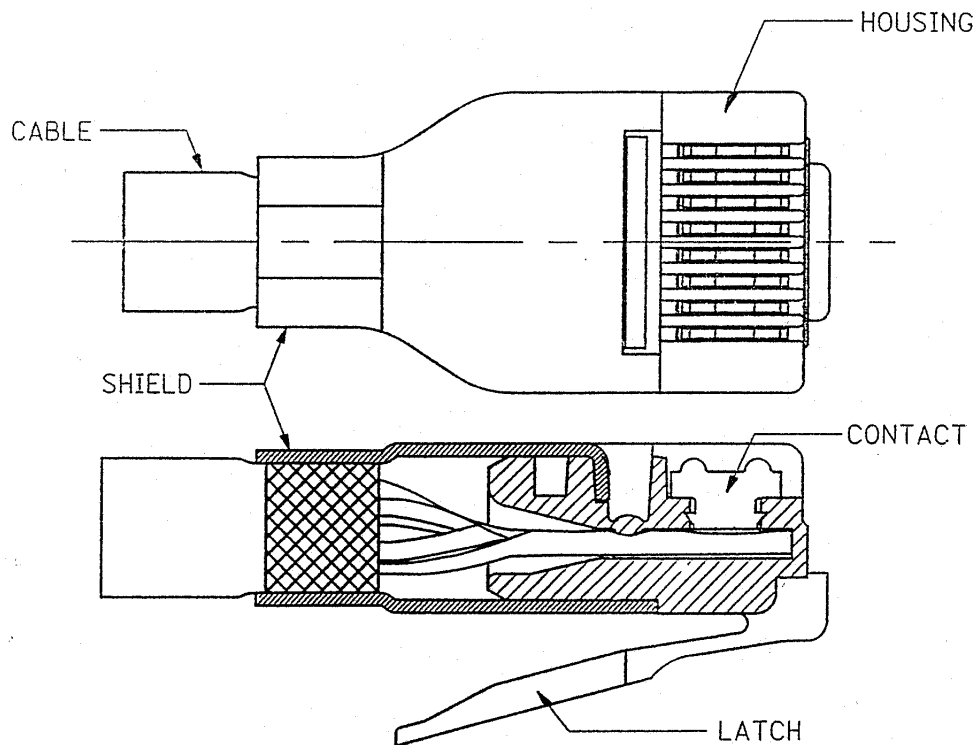


FIGURE 1

<u>REVISION:</u> F	<u>ECR/ECN INFORMATION:</u> EC No: MG 2004-0344 DATE: 2004 / 01 / 20	<u>TITLE:</u> APPLICATION SPECIFICATION FOR SHIELDED PLUG 95043 SERIES	<u>SHEET No.</u> 1 of 8
<u>DOCUMENT NUMBER:</u> AS-95043	<u>CREATED / REVISED BY:</u> S. Steinke	<u>CHECKED BY:</u> S Filipon	<u>APPROVED BY:</u> M.Heim



APPLICATION SPECIFICATION

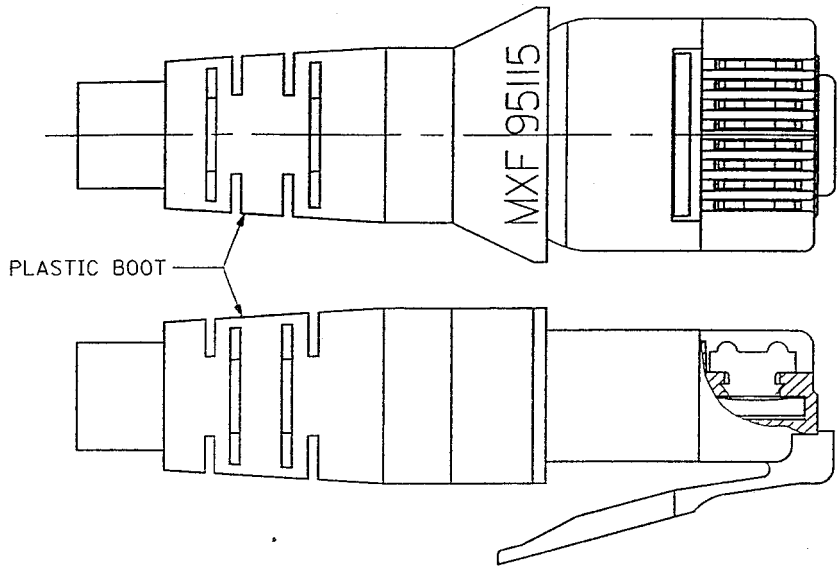


FIGURE 2

VERSION WITH PLASTIC BOOT WITHOUT LATCH-PROTECTION

(PLASTIC BOOT WITH LATCH-PROTECTION FOR PLUG P/N 95043-7882/7887)

(HOUSING ONLY)

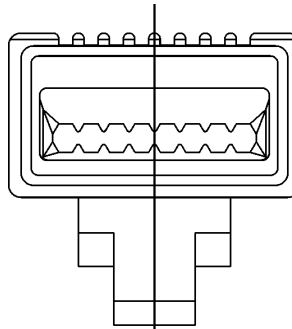


FIGURE 3

<u>REVISION:</u> F	<u>ECR/ECN INFORMATION:</u> EC No: MG 2004-0344 DATE: 2004 / 01 / 20	<u>TITLE:</u> APPLICATION SPECIFICATION FOR SHIELDED PLUG 95043 SERIES	<u>SHEET No.</u> 2 of 8
<u>DOCUMENT NUMBER:</u> AS-95043	<u>CREATED / REVISED BY:</u> S. Steinke	<u>CHECKED BY:</u> S Filipon	<u>APPROVED BY:</u> M.Heim



APPLICATION SPECIFICATION

4.0 PROCEDURE

4.1 GENERAL REQUIREMENTS

The cable shall be as specified below:

APPLICABLE WIRE:

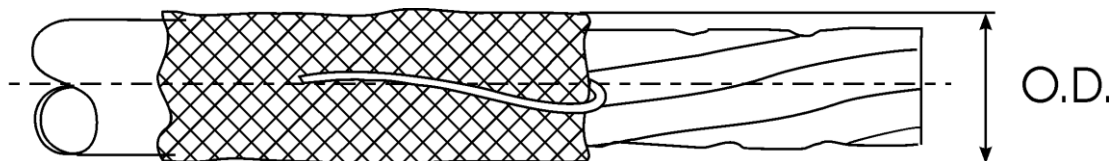
AWG (7 Strands)	Outside Insulation Diameter:
24 - 26	0.92 mm ± 0.08 / .036 inch ± .003
27	0.96 mm ± 0.04 / .038 inch ± .0015

Note: Contact MOLEX for application of other cable

JACKET:

PLUG PART NUMBER	JACKET O.D.		MAX. JACKET O.D. WITH CABLE-SHIELD FOLDED BACK (SEE FIG. 4)	
	mm	inch	mm	inch
95043 – 1881-3891 / 6891	5.2 ±0.2	.205 ±.008	5.5	.217
95043 – 4881-5896 / 7897	5.8 +0.2 -0.3	.228 +.008 -.012	6.1	.240
95043 – 7881-7887	5.9 +0.2 -0.3	.232 +.008 -.012	6.3	.248

It should be considered that the proper plug shield have to fit to the outside diameter including the cable shield folded back over the outer jacket.



Jacket O.D. with cable shield folded back over the outer jacket

FIGURE 4

REVISION: F	ECR/ECN INFORMATION: EC No: MG 2004-0344 DATE: 2004 / 01 / 20	TITLE: APPLICATION SPECIFICATION FOR SHIELDED PLUG 95043 SERIES	SHEET No. 3 of 8
DOCUMENT NUMBER: AS-95043	CREATED / REVISED BY: S. Steinke	CHECKED BY: S Filipon	APPROVED BY: M.Heim



APPLICATION SPECIFICATION

4.2 ASSEMBLY INSTRUCTIONS

- A. Slide the boot onto the cable (if needed) (refer to figure 2 for proper orientation).
- B. Remove the outer jacket of the cable to the length shown in figure 5. Take care not to nick the shield or cut into any of the conductors.

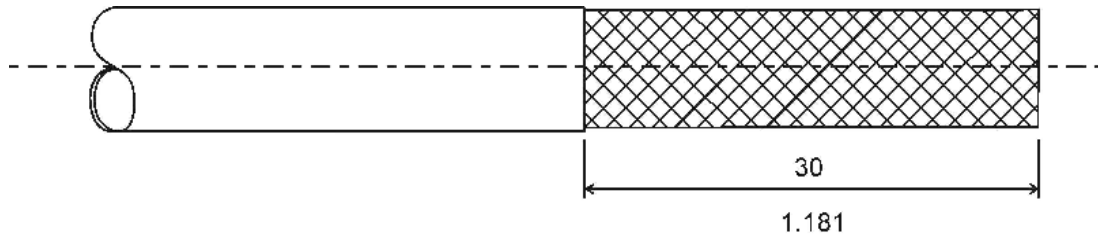


FIGURE 5

- C. Fold the cable shield (and the drain wire if present) back over the outer jacket as shown in figure 6. Then slide the shield onto the cable shield (refer to figure 1 for proper orientation). Take care that the shield remains on the cable shield.

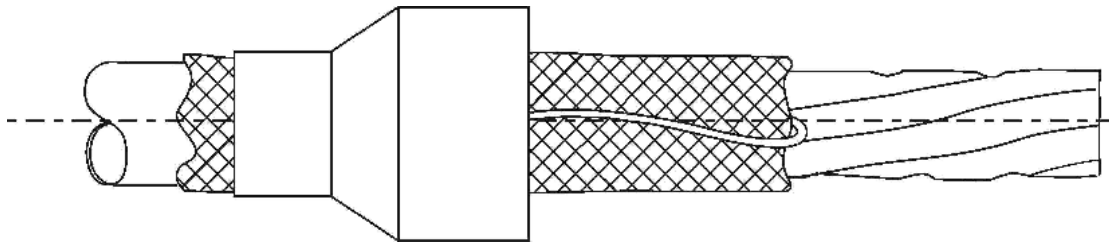


FIGURE 6

Follow instruction D. to E. for cable with unshielded twisted conductor pairs.
For cable with shielded twisted pair see instruction F. to I. .

- D. Orientate the conductors in the desired sequence and trim off any excess length of the conductors. (Refer to figure 7).

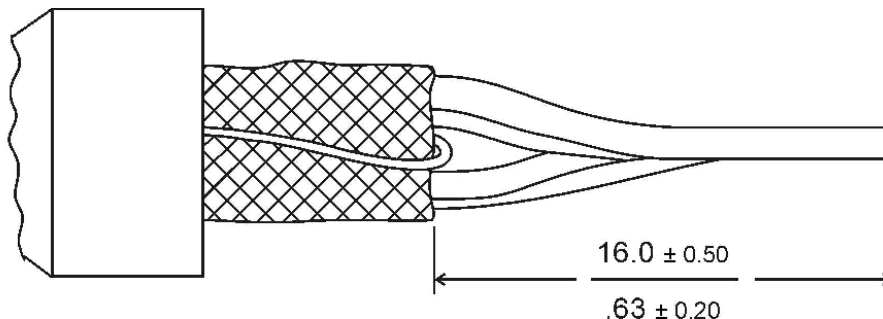


FIGURE 7

REVISION: F	ECR/ECN INFORMATION: EC No: MG 2004-0344 DATE: 2004 / 01 / 20	TITLE: APPLICATION SPECIFICATION FOR SHIELDED PLUG 95043 SERIES	SHEET No. 4 of 8
DOCUMENT NUMBER: AS-95043	CREATED / REVISED BY: S. Steinke	CHECKED BY: S Filipon	APPROVED BY: M.Heim

E. Insert the cable into the plug as shown in figure 8. Push the outer jacket towards the Plug. Slide the shield onto the plug. Continue with instruction I.

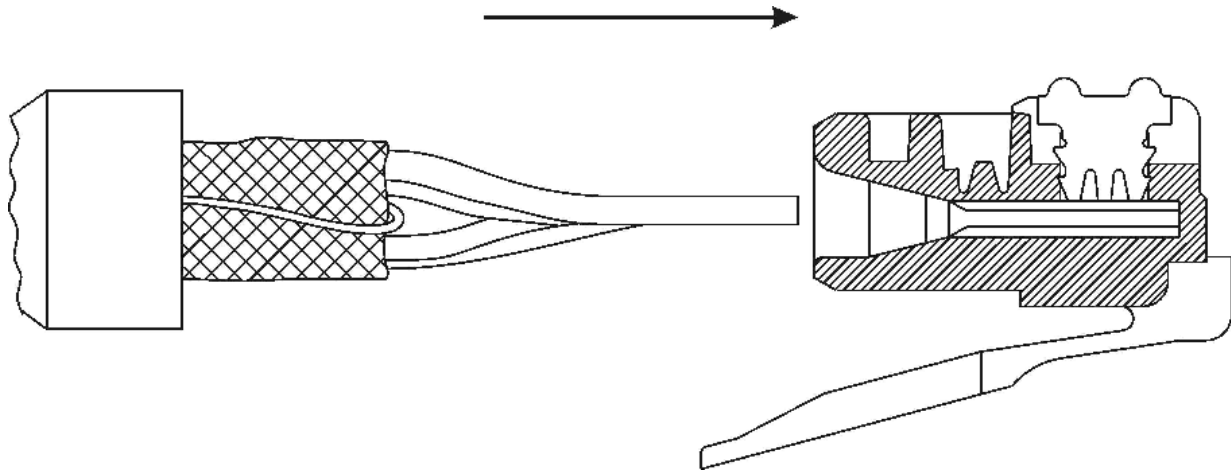


FIGURE 8

F. Reduce the length of the shielded pairs. (Refer to figure 9)

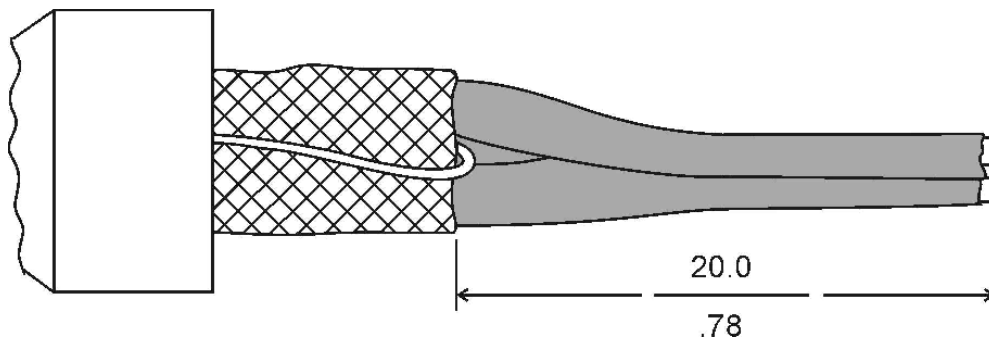


FIGURE 9

<u>REVISION:</u> F	<u>ECR/ECN INFORMATION:</u> EC No: MG 2004-0344 DATE: 2004 / 01 / 20	<u>TITLE:</u> APPLICATION SPECIFICATION FOR SHIELDED PLUG 95043 SERIES	<u>SHEET No.</u> 5 of 8
<u>DOCUMENT NUMBER:</u> AS-95043	<u>CREATED / REVISED BY:</u> S. Steinke	<u>CHECKED BY:</u> S Filipon	<u>APPROVED BY:</u> M.Heim

- G. For separating a pair removes the shield foil from this pair outside the outer jacket. Orientate the pairs in the desired sequence. Reduce the foil of the other pairs. For best results in low crosstalk take care to keep the foil so long as possible. (Refer to figure 10). The most important pair is the one between the separated conductors.

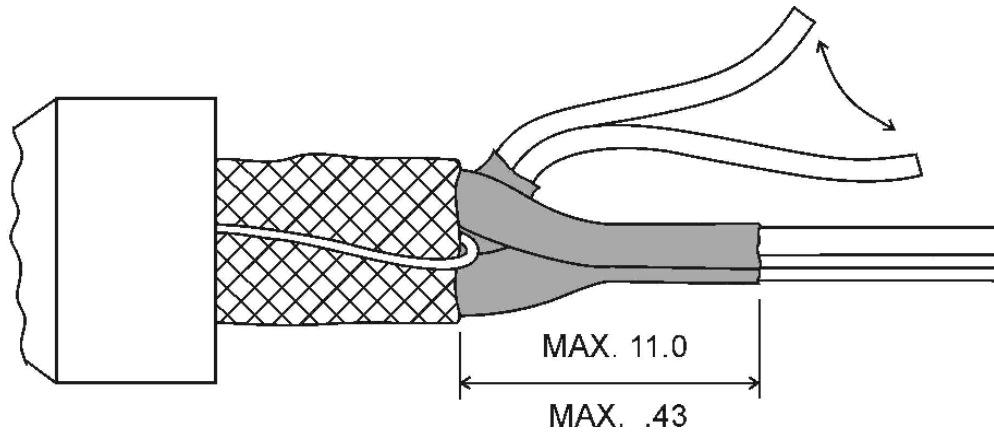


FIGURE 10

- H. Orientate the conductors in the desired sequence and trim off any excess length of the conductors. (Refer to figure 11). Insert the cable into the plug as shown in figure 11. Push the outer jacket towards the Plug. Slide the shield onto the plug.

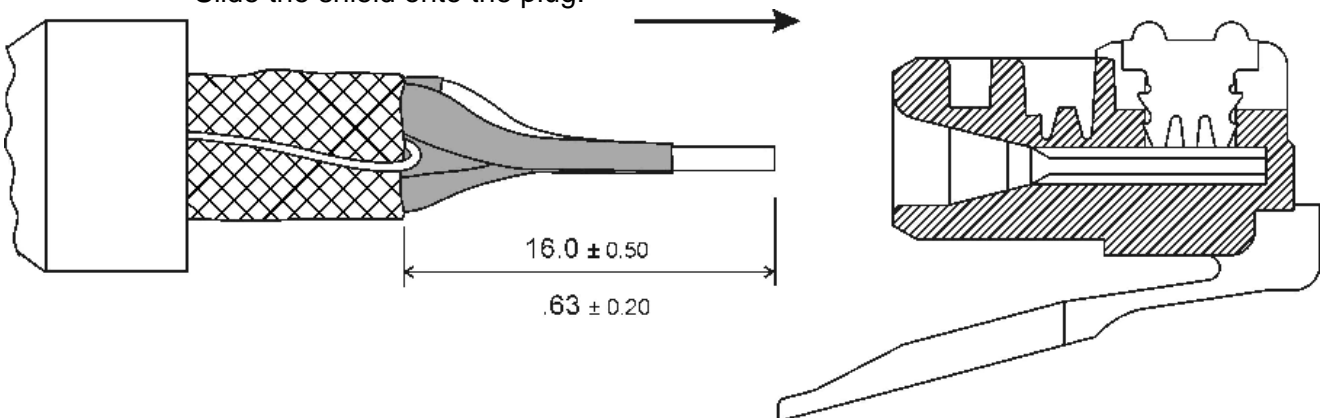


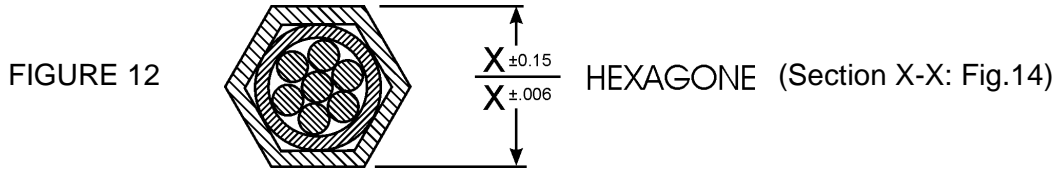
FIGURE 11

REVISION: F	ECR/ECN INFORMATION: EC No: MG 2004-0344 DATE: 2004 / 01 / 20	TITLE: APPLICATION SPECIFICATION FOR SHIELDED PLUG 95043 SERIES	SHEET No. 6 of 8
DOCUMENT NUMBER: AS-95043	CREATED / REVISED BY: S. Steinke	CHECKED BY: S Filipon	APPROVED BY: M.Heim



APPLICATION SPECIFICATION

- I. Using the applicable Molex application tools crimp the strain relief, contacts, and ferrule. Maintain dimensions shown in figure 12-14. Detailed information to the Molex application tools see on Molex website or in catalogue.



PLUG PART NUMBER	DIM 'X' mm / inch	DIM 'Y' mm / inch	DIM 'Z': LENGTH OF HEX
95043 – 1881-3891 / 6891	5.45 / .215	21.65 / .852	4.9 / .19
95043 – 4881-5896	6.05 / .238	21.65 / .852	4.9 / .19
95043 – 7881-7887	6.10 / .240	25.55 / 1.006	7.1 / .28

STANDARD SHIELD AND CRIMP

LONG SHIELD AND CRIMP FOR USE WITH BOOT 95115C (WITH LATCH- PROTECTION)

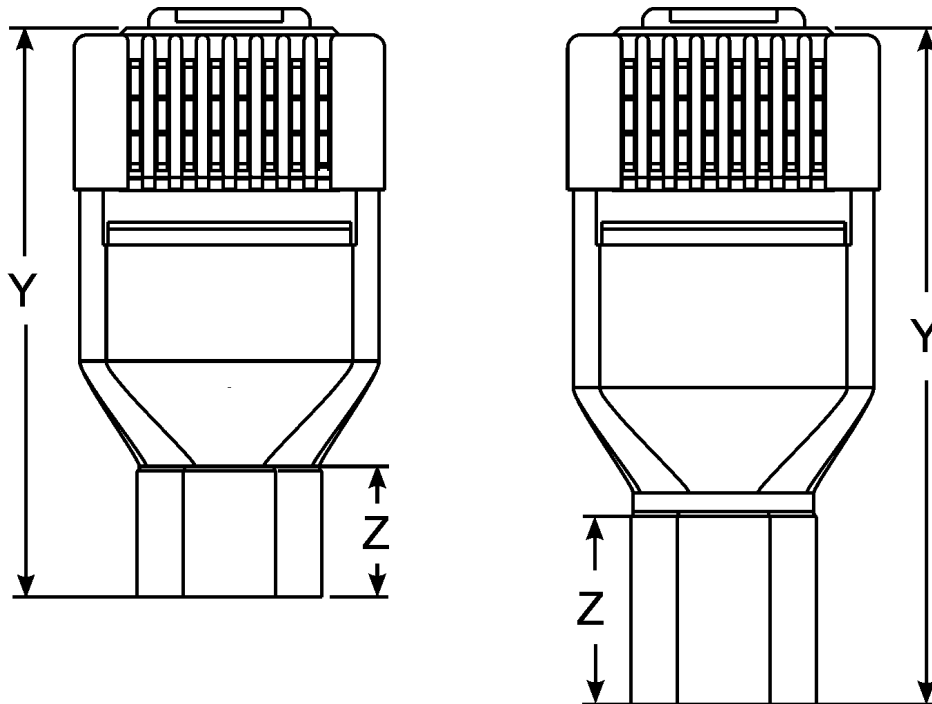


FIGURE 13

REVISION: F	ECR/ECN INFORMATION: EC No: MG 2004-0344 DATE: 2004 / 01 / 20	TITLE: APPLICATION SPECIFICATION FOR SHIELDED PLUG 95043 SERIES	SHEET No. 7 of 8
DOCUMENT NUMBER: AS-95043	CREATED / REVISED BY: S. Steinke	CHECKED BY: S Filipon	APPROVED BY: M.Heim



APPLICATION SPECIFICATION

CRIMP HEIGHT (SEE FIGURE 14)	DIM 'W'	
	mm	inch
RECOMMENDED	6.13 / 6.02	.241 / .237
TOLERABLE (refer to IEC 60603-7)	6.15 / 5.89	.242 / .231

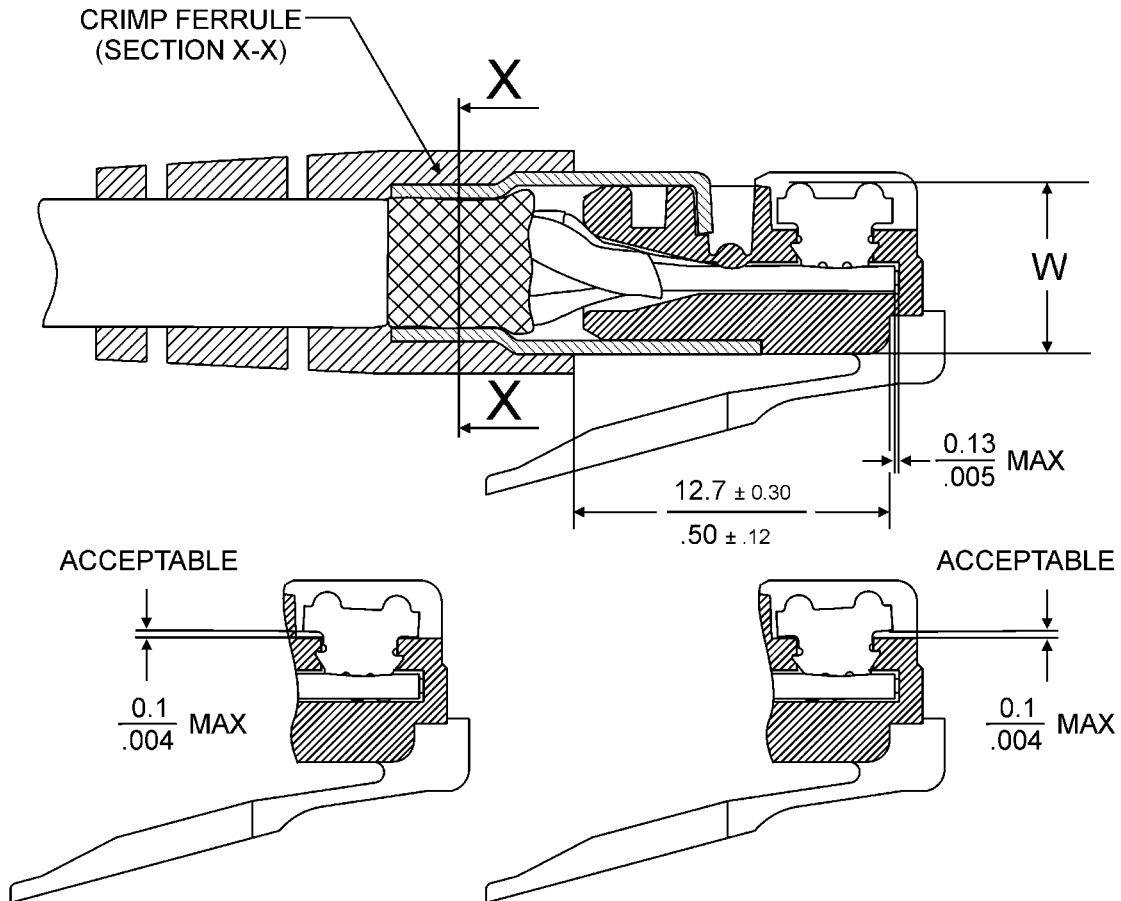


FIGURE 14

J. Remove protruding cable shield

K. Slide the boot onto the cable up to the dimension shown on figure 14.

REVISION: F	ECR/ECN INFORMATION: EC No: MG 2004-0344 DATE: 2004 / 01 / 20	TITLE: APPLICATION SPECIFICATION FOR SHIELDED PLUG 95043 SERIES	SHEET No. 8 of 8
DOCUMENT NUMBER: AS-95043	CREATED / REVISED BY: S. Steinke	CHECKED BY: S Filipon	APPROVED BY: M.Heim