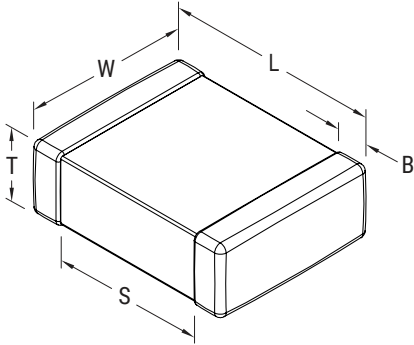


Automotive Capacitors

Sample Kit Contents

KEMET Part Number	Size	Capacitance	Tolerance	Voltage	Temperature Range	Dielectric Type	Quantity
C0402C102K5RACAUTO	0402/1005	1,000 pF	10%	50	-55/+125°C	X7R	10
C0402C103K3RACAUTO	0402/1005	0.01 µF	10%	25	-55/+125°C	X7R	10
C0402C104K4RACAUTO	0402/1005	0.1 µF	10%	16	-55/+125°C	X7R	10
C0603C102J1GACAUTO	0603/1608	1,000 pF	5%	100	-55/+125°C	C0G	10
C0603C104K5RACAUTO	0603/1608	0.1 µF	10%	50	-55/+125°C	X7R	10
C0603C474K4RACAUTO	0603/1608	0.47 µF	10%	16	-55/+125°C	X7R	10
C0805C105K4RACAUTO	0805/2012	1 µF	10%	16	-55/+125°C	X7R	10
C0603C102J2GACAUTO	0603/1608	1,000 pF	5%	200	-55/+125°C	C0G	10
C0603C103J3GACAUTO	0603/1608	0.01 µF	5%	25	-55/+125°C	C0G	10
C0603C102K2RECAUTO	0603/1608	1,000 pF	10%	200	-55/+125°C	X7R	10
C0603C103K1RECAUTO	0603/1608	0.01 µF	10%	100	-55/+125°C	X7R	10
T598D337M006ATE025	D/7343-43	330 µF	20%	6.3	-55/+125°C	Polymer tantalum	5
T598D227M010ATE025	D/7343-43	220 µF	20%	10	-55/+125°C	Polymer tantalum	5
T598D107M016ATE050	D/7343-43	100 µF	20%	16	-55/+125°C	Polymer tantalum	5
T598D336M025ATE060	D/7343-43	33 µF	20%	25	-55/+125°C	Polymer tantalum	5
T598D476M025ATE060	D/7343-43	47 µF	20%	25	-55/+125°C	Polymer tantalum	5
LDEDD3680JA5N00	2220/5650	0.68 µF	5%	63	-55/+125°C	Metallized PEN	5
F862BY474K310Z	18 x 19 mm	0.47 µF	10%	630 VDC/310 VAC	-40/+110°C	Metallized PPS	3
R413I21000000K	18 x 11 mm	0.01 µF	10%	1,000 VDC/300 VAC	-40/+110°C	Metallized PPS	3
R82DC4100AA60K	7.2 x 10 mm	1 µF	10%	63	-55/+105°C	Polyester	3
EEV477M010S9MAA	8 x 10.2 mm	470 µF	20%	10	-55/+105°C	Aluminum electrolytic	3
EEV477M025S9PAA	10 x 10.2 mm	470 µF	20%	25	-55/+105°C	Aluminum electrolytic	3
EXV337M035S9PAA	10 x 10.2 mm	330 µF	20%	35	-55/+105°C	Aluminum electrolytic	3
EDH108M050S9TAA	16 x 16.5 mm	1,000 µF	20%	50	-40/+105°C	Aluminum electrolytic	3
EDH476M063S9MAA	8 x 10.2 mm	47 µF	20%	63	-40/+150°C	Aluminum electrolytic	3
PEG226MH3470QE1	20 x 27 mm	470 µF	-10/+30%	63	-40/+150°C	Aluminum electrolytic	3

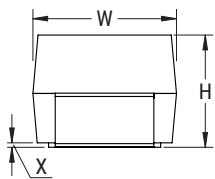
C0G and X7R – Millimeters (Inches)



EIA Size Code	Metric Size Code	L Length	W Width	T Thickness	B Bandwidth	S Separation Minimum	Mounting Technique
0402	1005	1.00 (0.040) ±0.05 (0.002)	0.50 (0.020) ±0.05 (0.002)	See Table 2 for Thickness	0.30 (0.012) ±0.10 (0.004)	0.30 (0.012)	Solder reflow only
0603	1608	1.60 (0.063) ±0.15 (0.006)	0.80 (0.032) ±0.15 (0.006)		0.35 (0.014) ±0.15 (0.006)	0.70 (0.028)	Solder wave or solder reflow
0805	2012	2.00 (0.079) ±0.20 (0.008)	1.25 (0.049) ±0.20 (0.008)		0.50 (0.02) ±0.25 (0.010)	0.75 (0.030)	

T598 Dimensions – Millimeters (Inches)

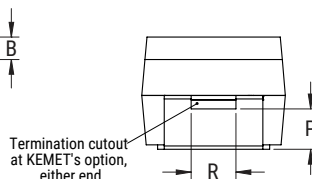
CATHODE (-) END VIEW



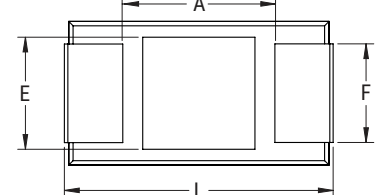
SIDE VIEW



ANODE (+) END VIEW



BOTTOM VIEW

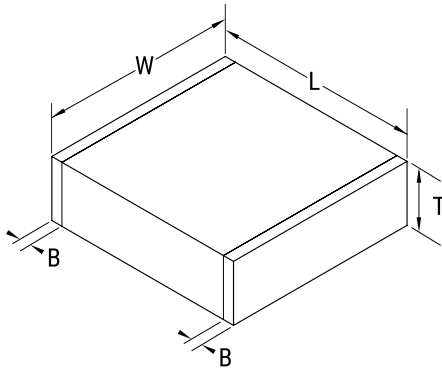


Case Size		Component											Total Weight
KEMET	EIA	L	W	H	F	S	B (Ref)	X (Ref)	P (Ref)	R (Ref)	T (Ref)	A (Min)	(mg)
D	7343-31	7.3 ±0.3 (0.287 ±0.012)	4.3 ±0.3 (0.169 ±0.012)	2.8 ±0.3 (0.110 ±0.012)	2.4 ±0.1 (0.094 ±0.004)	1.3 ±0.3 (0.051 ±0.012)	0.5 ±0.15 (0.020 ±0.006)	0.10 ±0.10 (0.004 ±0.004)	0.9 (0.035)	1.0 (0.039)	0.13 (0.005)	3.8 (0.150)	292

Notes: (Ref) – Dimensions provided for reference only.

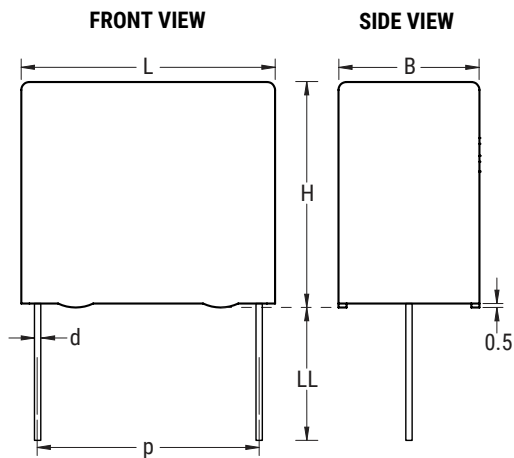
These weights are provided as reference. If exact weights are needed, please contact your KEMET Sales Representative

LDE Dimensions – Millimeters (Inches)



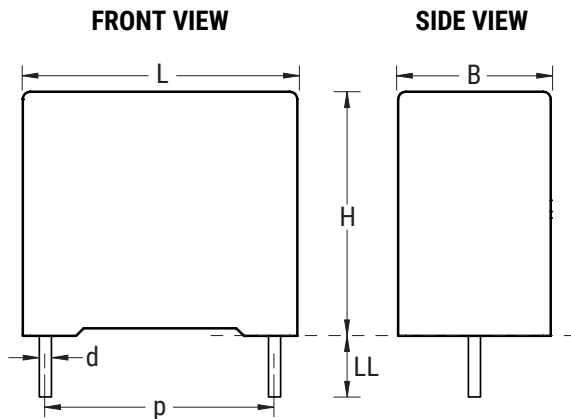
Size Code	Chip Size (EIA)	W		T (Maximum)	L		B	
		Nominal	Tolerance		Nominal	Tolerance	Nominal	Tolerance
D	2220	5.0	±0.4	See Part Number Table	6.0	±0.3	0.5	+0.5/-0.3

F862 Dimensions – Millimeters



Size Code	p		B		H		L		d	
	Nominal	Tolerance	Nominal	Tolerance	Nominal	Tolerance	Nominal	Tolerance	Nominal	Tolerance
BY	15.0	±0.4	11.0	Maximum	19.0	Maximum	18.0	Maximum	0.8	±0.05
Note: See Ordering Options Table for lead length (LL/H₀) options.										

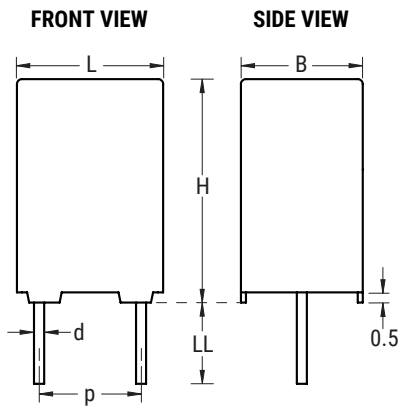
R41 Dimensions – Millimeters



p		B		H		L		d	
Nominal	Tolerance	Nominal	Tolerance	Nominal	Tolerance	Nominal	Tolerance	Nominal	Tolerance
10.0	±0.4	4.0	+0.2	9.0	+0.1	13.0	+0.2	0.6	±0.05
10.0	±0.4	5.0	+0.2	11.0	+0.1	13.0	+0.2	0.6	±0.05
10.0	±0.4	6.0	+0.2	12.0	+0.1	13.0	+0.2	0.6	±0.05
15.0	±0.4	5.0	+0.2	11.0	+0.1	18.0	+0.3	0.6	±0.05
15.0	±0.4	6.0	+0.2	12.0	+0.1	18.0	+0.3	0.6	±0.05
15.0	±0.4	7.5	+0.2	13.5	+0.1	18.0	+0.5	0.6	±0.05
15.0	±0.4	8.5	+0.2	14.5	+0.1	18.0	+0.5	0.6	±0.05
15.0	±0.4	11.0	+0.2	19.0	+0.1	18.0	+0.5	0.8	±0.05
22.5	±0.4	6.0	+0.2	15.0	+0.1	26.5	+0.3	0.8	±0.05
22.5	±0.4	7.0	+0.2	16.0	+0.1	26.5	+0.3	0.8	±0.05
22.5	±0.4	8.5	+0.2	17.0	+0.1	26.5	+0.3	0.8	±0.05
22.5	±0.4	10.0	+0.2	18.5	+0.1	26.5	+0.3	0.8	±0.05
22.5	±0.4	13.0	+0.2	22.0	+0.1	26.5	+0.3	0.8	±0.05
27.5	±0.4	13.0	+0.2	22.0	+0.1	32.0	+0.3	0.8	±0.05
27.5	±0.4	14.0	+0.2	28.0	+0.1	32.0	+0.3	0.8	±0.05
27.5	±0.4	18.0	+0.2	33.0	+0.1	32.0	+0.3	0.8	±0.05
37.5	±0.4	13.0	+0.3	24.0	+0.1	41.5	+0.3	1.0	±0.05
37.5	±0.4	16.0	+0.3	28.5	+0.1	41.5	+0.3	1.0	±0.05
37.5	±0.4	20.0	+0.3	40.0	+0.1	41.5	+0.3	1.0	±0.05

Note: See Ordering Options Table for lead length (LL/H₀) options.

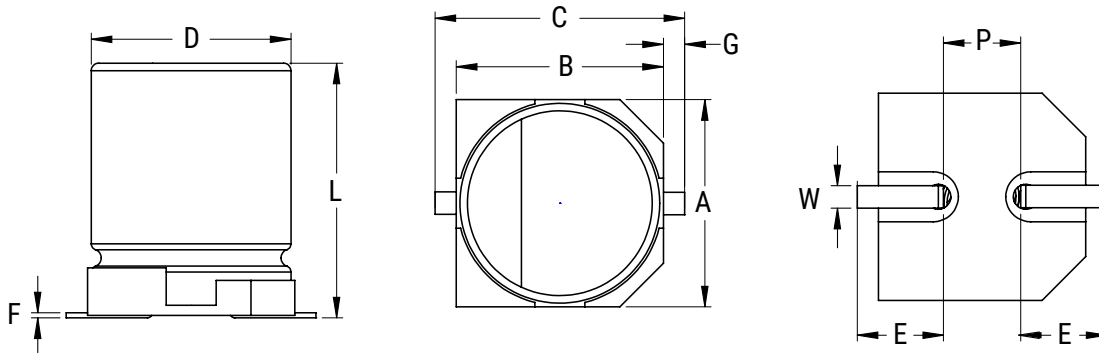
R82 Dimensions – Millimeters



p		B		H		L		d	
Nominal	Tolerance	Nominal	Tolerance	Nominal	Tolerance	Nominal	Tolerance	Nominal	Tolerance
5.0	±0.4	2.5	+0.1	6.5	+0.1	7.2	+0.2	0.5	±0.05
5.0	±0.4	3.5	+0.1	7.5	+0.1	7.2	+0.2	0.5	±0.05
5.0	±0.4	4.5	+0.1	9.5	+0.1	7.2	+0.3	0.5	±0.05
5.0	±0.4	5.0	+0.1	10.0	+0.1	7.2	+0.3	0.5	±0.05
5.0	±0.4	6.0	+0.1	11.0	+0.1	7.2	+0.3	0.5	±0.05
5.0	±0.4	7.2	+0.1	13.0	+0.1	7.2	+0.3	0.6	±0.05

Note: See Ordering Options Table for lead length (LL/H₀) options.

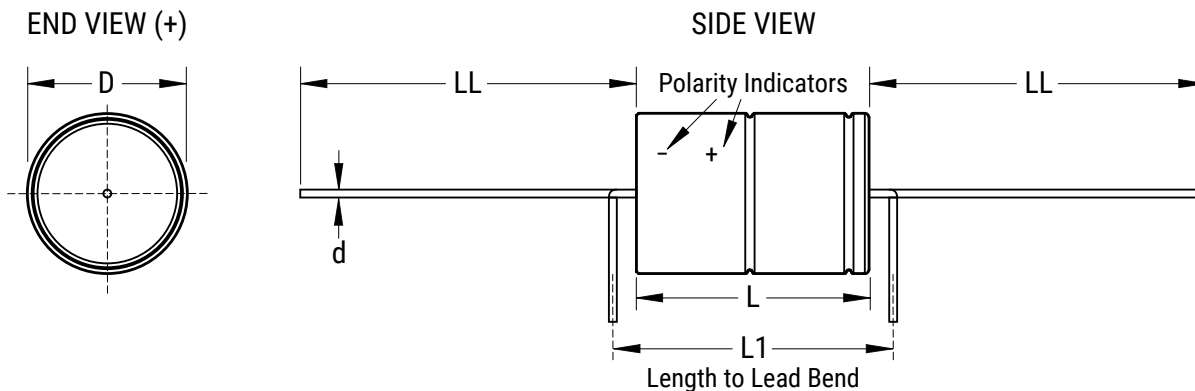
EEV, EXV, and EDH Dimensions – Millimeters



Size Code	D		L		A/B		C		E	
	Nominal	Tolerance	Nominal	Tolerance	Nominal	Tolerance	Nominal	Tolerance	Nominal	Tolerance
9M	8	±0.5	10.2	±0.3	8.3	±0.2	10	Maximum	3.4	±0.2
9P	10	±0.5	10.2	±0.3	10.3	±0.2	13	Maximum	3.5	±0.2
9T	16	±0.5	16.5	±1.0	16.3	±0.2	18.7	Maximum	5.8	±0.2

Size Code	F		G		P		W	
	Nominal	Tolerance	Nominal	Tolerance	Nominal	Tolerance	Nominal	Tolerance
9M	0.3	Maximum	0.70	±0.2	3.1	±0.2	0.9	±0.2
9P	0.3	Maximum	0.70	±0.2	4.6	±0.2	0.9	±0.2
9T	0.3	Maximum	1.0	±0.2	6.0	±0.2	2.0	±0.2

PEG226 Dimensions – Millimeters



Size Code	Dimensions in mm					Approximate Weight Grams
	D	L	L1	d	LL	
H	±0.5	±1	Minimum	±0.03	b ±2 Box	13
J	20	26.5	33	1.0	40	20

Note: L1 is KEMET's recommendation for minimum distance between symmetrical lead bend. Available only for customer specific part numbers. Lead bend dimensions must be specified and confirmed per article.