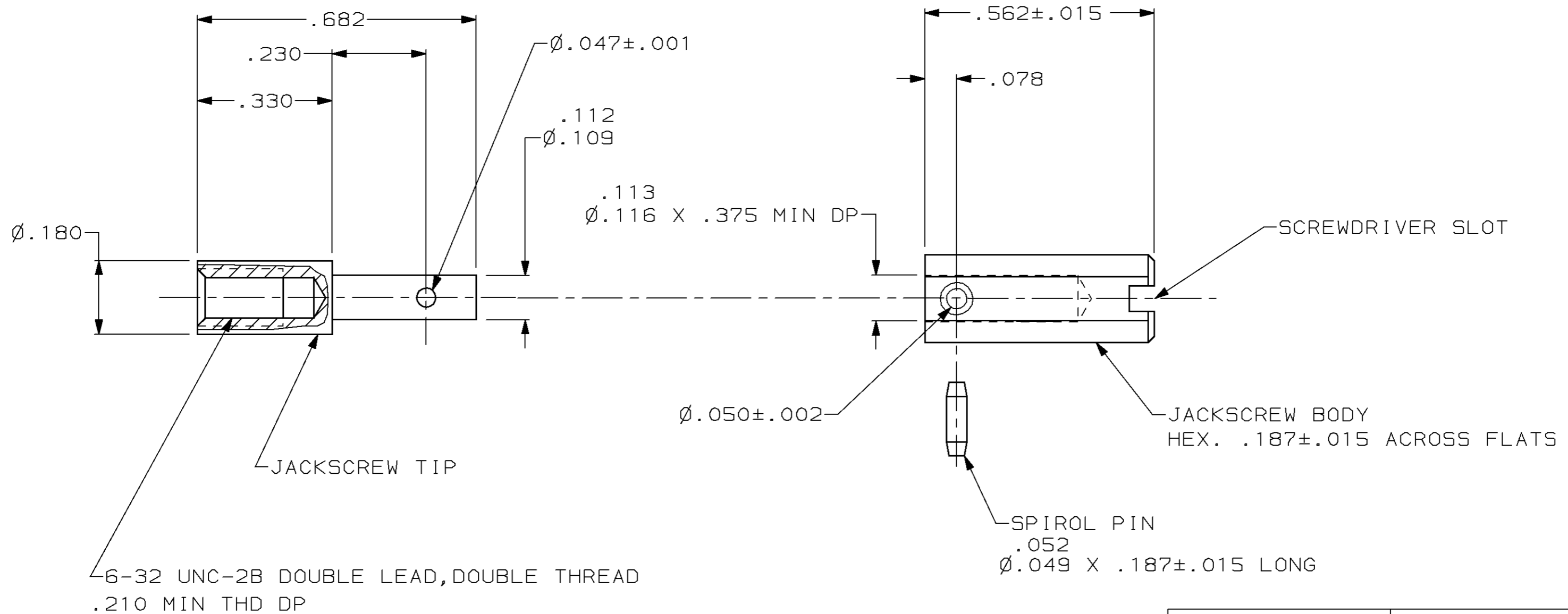


THIS DRAWING IS UNPUBLISHED. RELEASED FOR PUBLICATION, 19 .
 © COPYRIGHT 19 BY AMP INCORPORATED. ALL INTERNATIONAL RIGHTS RESERVED.

LOC	DIST	P	F	REVISIONS				
				ZONE	LTR	DESCRIPTION	DATE	APPD
AR	39				D	REDRAWN AR2318	2-89	-
					E	SUPSD -1 PER EC 0020-542-94	12/21/94	GM
					F	REV PER EC 0020-293-96	25 JUN 96	GDM



PASSIVATED		88616-2
SUPSD BY 88616-2		88616-1
FINISH		PART NO
DO NOT SCALE PRINT, UNLESS SPECIFIED DIMENSIONS IN INCHES TOLERANCES ON: 2 PLC DEC ± - 3 PLC DEC ± .005 ANGLES ± -		AMP AMP INCORPORATED Harrisburg, Pa. 17105
DR 2-2-89 C. OBERMAN CHK 2-15-89 G.D. MILLER APPD 2-15-89 G.D. MILLER APPD 2-15-89 W. PARKER PRODUCT SPEC -		NAME JACKSCREW KIT, FEMALE, TURNABLE
MATERIAL STAINLESS STEEL		SIZE B FSCM NO 00779 DRAWING NO 88616
FINISH SEE TABLE		SCALE 4:1 SHEET 1 OF 1