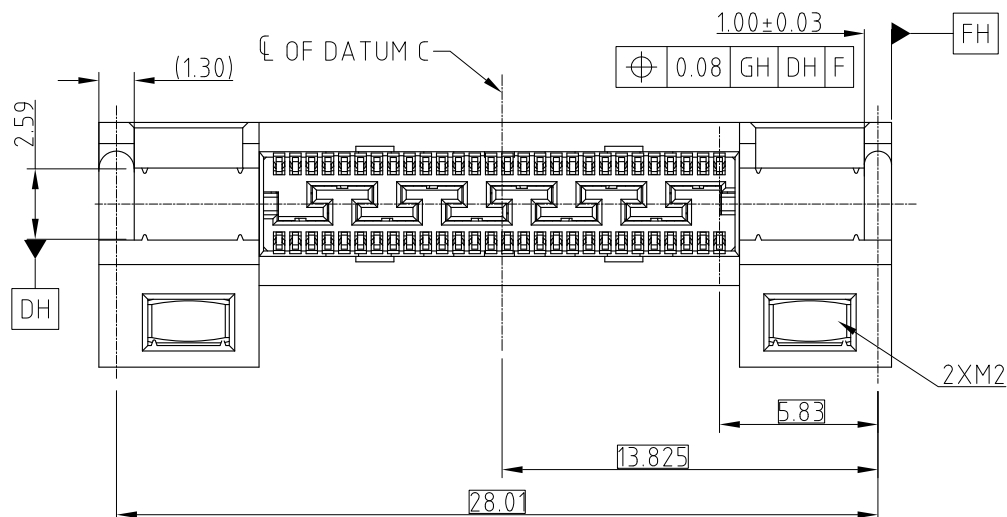
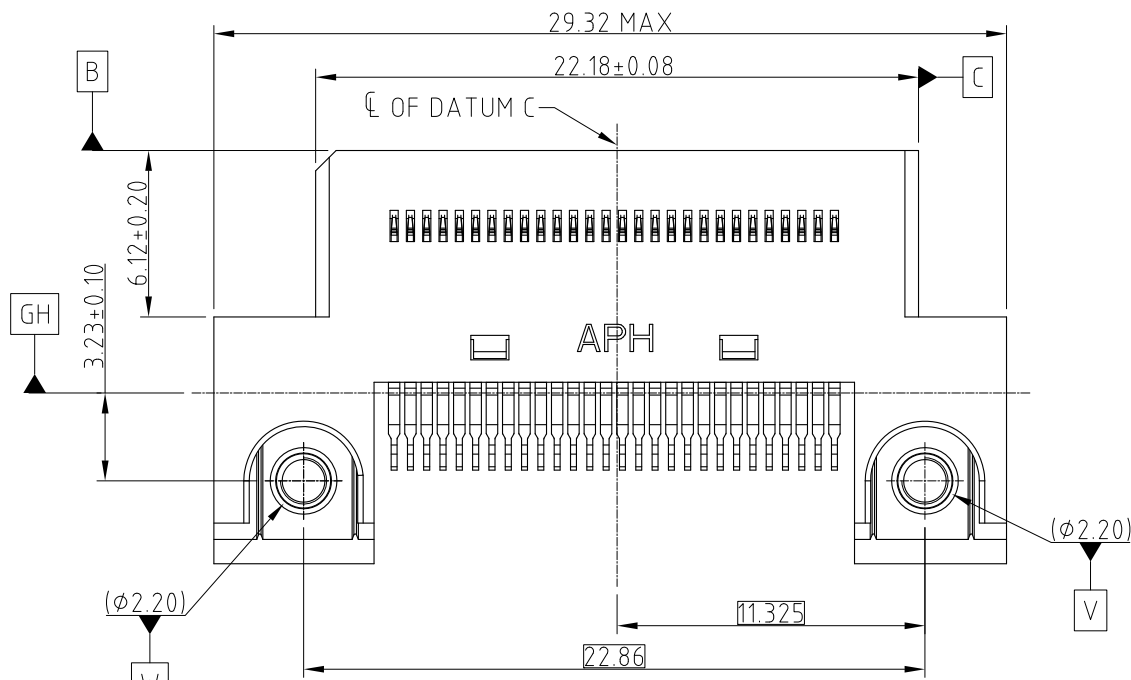
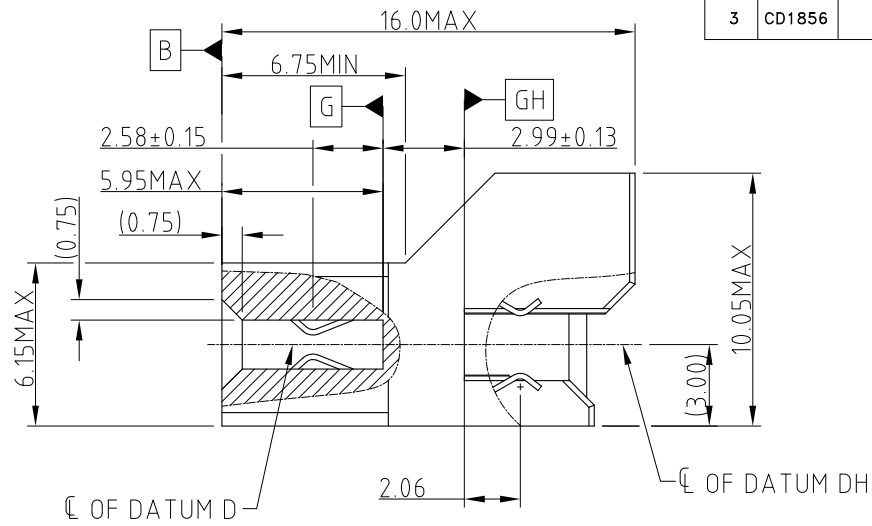
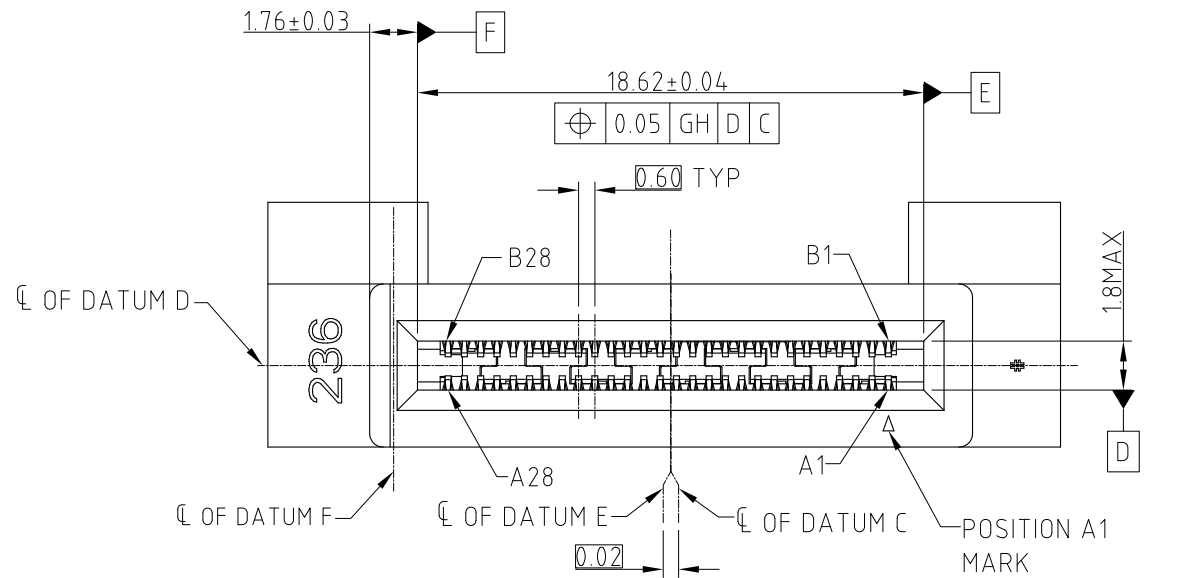


This document is the property of Amphenol Corporation and is delivered on the express condition that it is not to be disclosed, reproduced or used, in whole or in part, for manufacture or sale by anyone other than Amphenol Corporation without its prior consent, & that no right is granted to disclose or to use any information in this document.

# CUSTOMER DRAWING

REVISIONS				
SYM	ECN	DESCRIPTION	DATE	APPROVED
1	CD1648	PRELIMINARY PROPOSAL	Jan.28,2019	YH
2	CD1817	CHANGE NUT FROM STANDARD TO RECTANGLE AND ADD PACKING	Jul.12,2019	YH
3	CD1856	STANDARDIZE THE WAFER CONSTRUCTURE	Sep.24,2019	YH



**NOTE:**

- MATERIAL:**  
HOUSING: HIGH TEMPERATURE THERMOPLASTIC BLACK UL94-V0  
CONTACT: COPPER ALLOY  
NUT: STAINLESS STEEL
- PLATING:**  
CONTACT: MATING AREA: Au THICKNESS PLEASE REFER TO P/N SYSTEM OVER 1.27-2.54 μm NICKEL UNDERPLATED  
SOLDER AREA: 1.27 μm MIN TIN OVER 1.27-2.54 μm NICKEL UNDERPLATED
- ELECTRICAL PERFORMANCE:**  
RATED CURRENT: 1.1A/PIN UP TO 12PINS  
LLCR: 30mΩ MAX, DELTA 15 mΩ.  
INSULATION RESISTANCE: 1000MΩ MIN
- DURABILITY:** 200 CYCLES.
- MATERIAL SHOULD BE FULFILLED AMPHENOL SPEC#S-SN-002 AND S-SN-004**
- ORDERING PN:** REFER TO THE PN SYSTEM: ME100561340120X

- PLATING SPEC**
- 0.76um Au
  - 0.38um Au
  - GOLD FLASH
  - PdNi 0.76um+G/F

UNLESS OTHERWISE SPECIFIED TOLERANCES	
U.S.	METRIC
.X +/-	0.25
.XX +/-	0.20
.XXX +/-	0.15
FRACTIONS +/-	
ANGLES +/-	5°

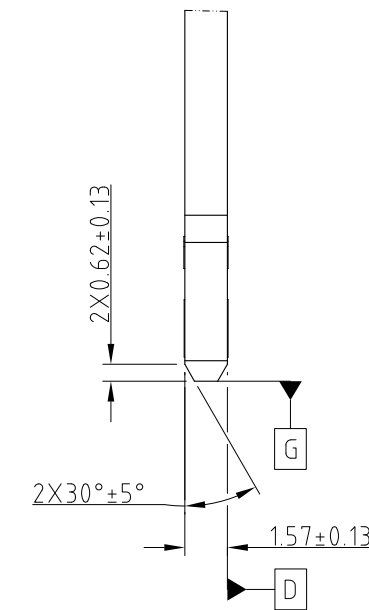
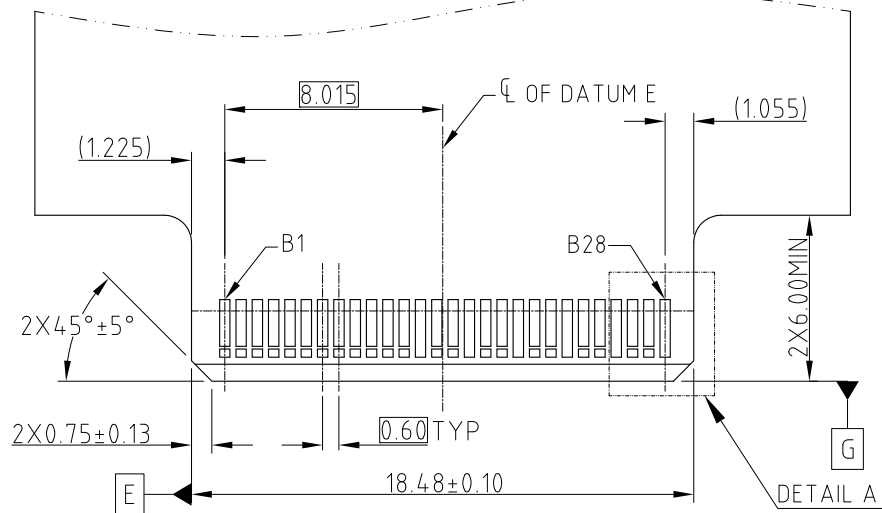
APPROVAL		DATE	
DRAWN	Teng.Cao	Sep.24,2019	
CHECKED	Ly.Yi	Sep.24,2019	
APPROVED			
DRAWING FILE : INTERNAL\DRAWING\ME\C ME100561340120X			
REMOVE SHARP EDGES			
ANGLE OF PROJECTION			
DIMENSIONS			
—U.S.—	INCHES		
(METRIC)	(mm)		

<b>Amphenol</b>		
TITLE		
MINI COOL EDGE CONNECTOR 56P S/M MATE 2.36 HOST PCB		
SIZE	DRAWING NO.	REV.
A3	C ME100561340120X	3
SCALE	NONE	SHEET 1 OF 3

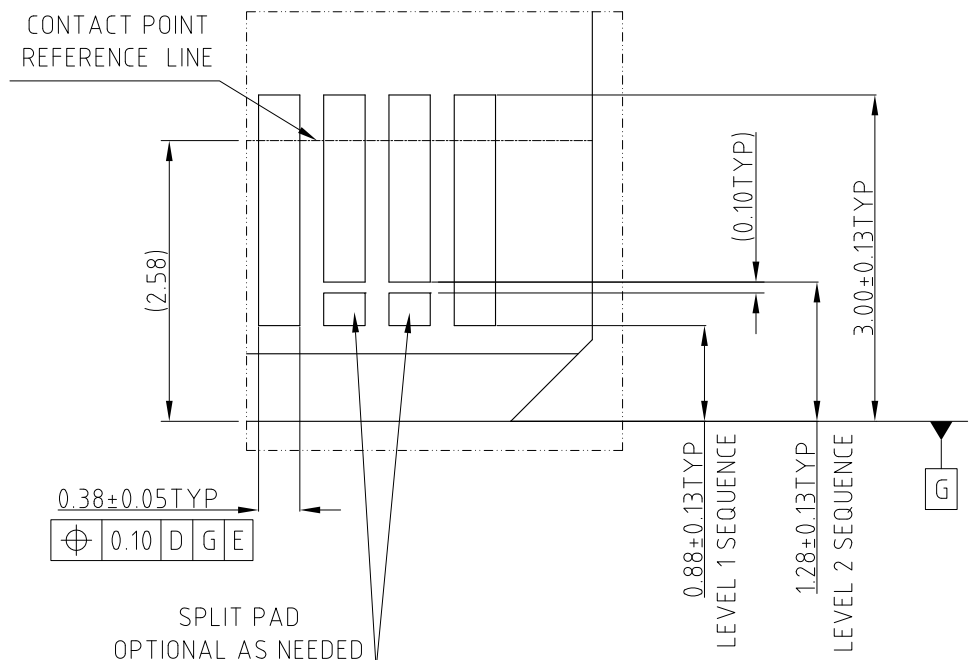
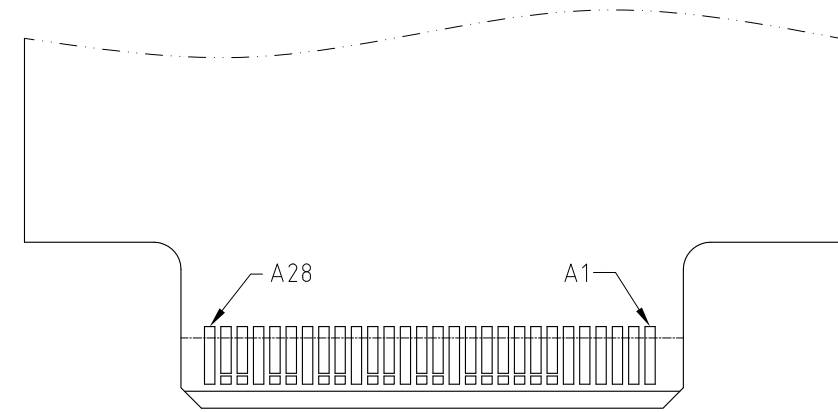
This document is the property of Amphenol Corporation and is delivered on the express condition that it is not to be disclosed, reproduced or used, in whole or in part, for manufacture or sale by anyone other than Amphenol Corporation without its prior consent, & that no right is granted to disclose or to use any information in this document.

CUSTOMER DRAWING

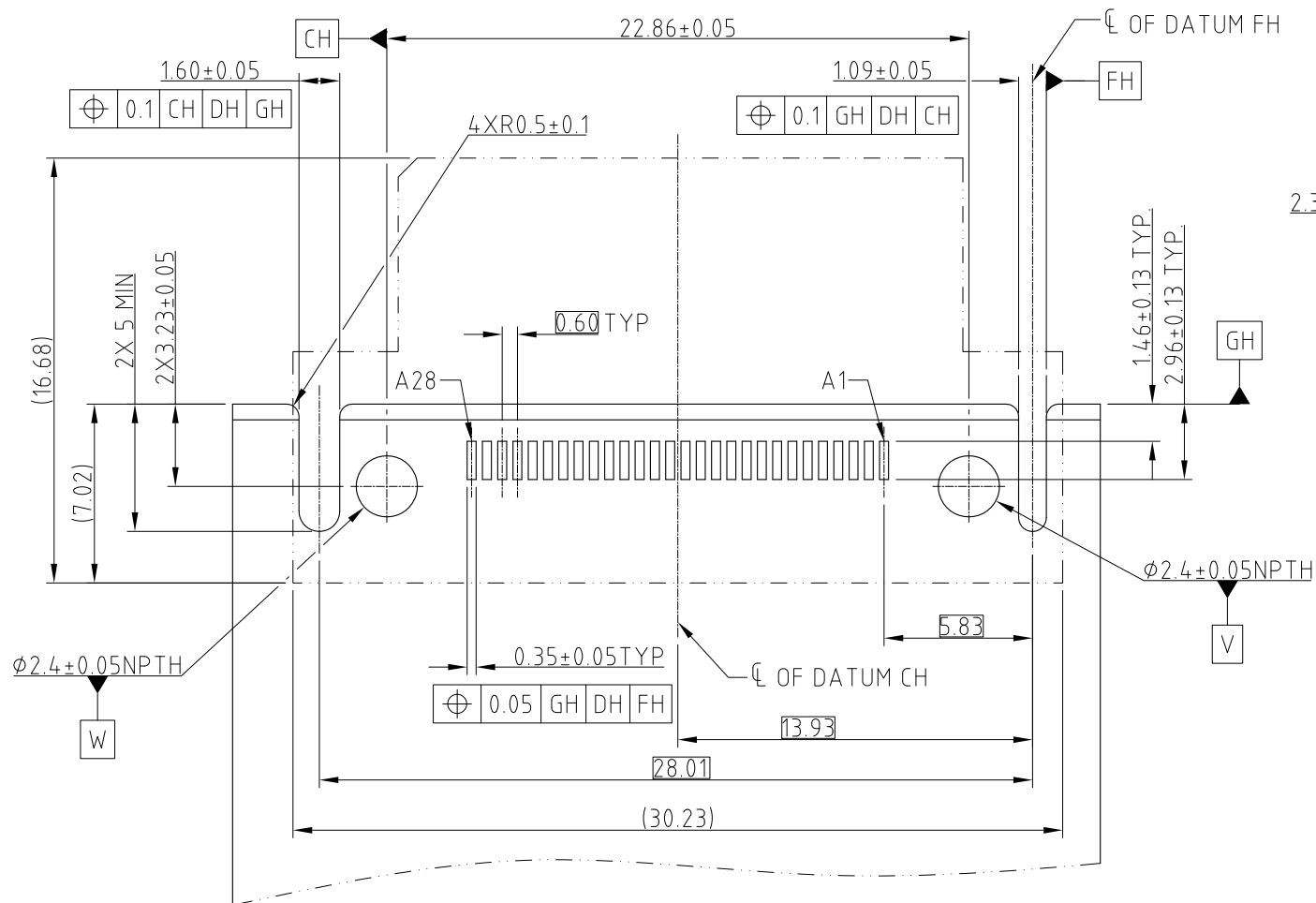
REVISIONS				
SYM	ECN	DESCRIPTION	DATE	APPROVED
		SEE SHEET 1		



RECOMMENDED AIC MATING CARD



DETAIL A SCALE 4:1



NOTE: POSITION B1 ON THE OPPOSITE SIDE OF CARD OF A1  
RECOMMENDED FOOTPRINT



UNLESS OTHERWISE SPECIFIED TOLERANCES	
U.S.	METRIC
.X +/-	0.25
.XX +/-	0.20
.XXX +/-	0.15
FRACTIONS +/-	5°
ANGLES +/-	
FOR MATERIALS AND FINISHES SEE NOTES	
REMOVE SHARP EDGES	
DIMENSIONS	
—U.S.—	INCHES
(METRIC)	(mm)

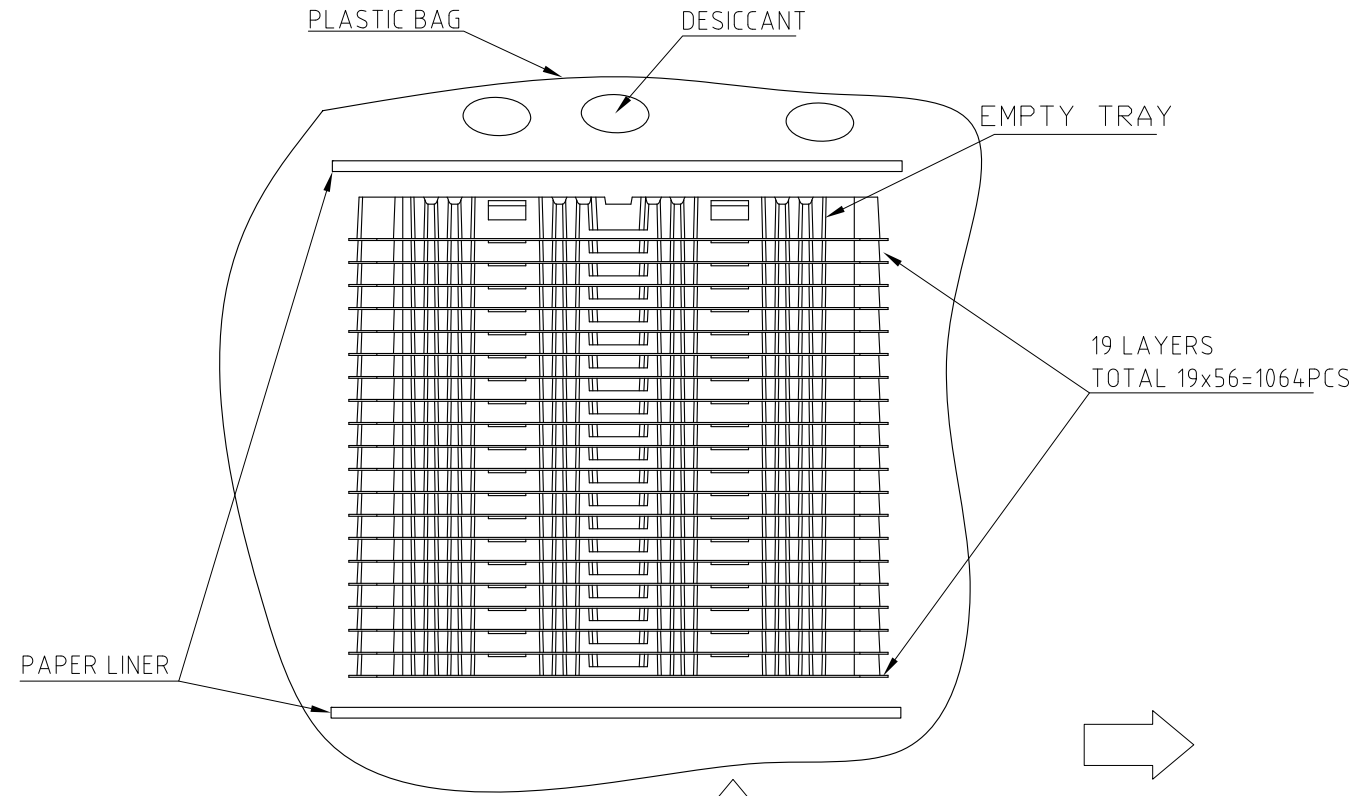
APPROVAL	DATE
DRAWN Teng.Cao	Sep.24,2019
CHECKED Ly.Yi	Sep.24,2019
APPROVED	
DRAWING FILE :	
INTERNAL\DRAWING\ME\C ME100561340120X	
ANGLE OF PROJECTION	

Amphenol		
TITLE		
MINI COOL EDGE CONNECTOR		
56P S/M MATE 2.36 HOST PCB		
SIZE	DRAWING NO.	REV.
A3	C ME100561340120X	3
SCALE	NONE	SHEET 2 OF 3

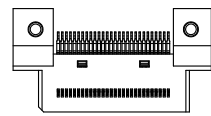
This document is the property of Amphenol Corporation and is delivered on the express condition that it is not to be disclosed, reproduced or used, in whole or in part, for manufacture or sale by anyone other than Amphenol Corporation without its prior consent, & that no right is granted to disclose or to use any information in this document.

CUSTOMER DRAWING

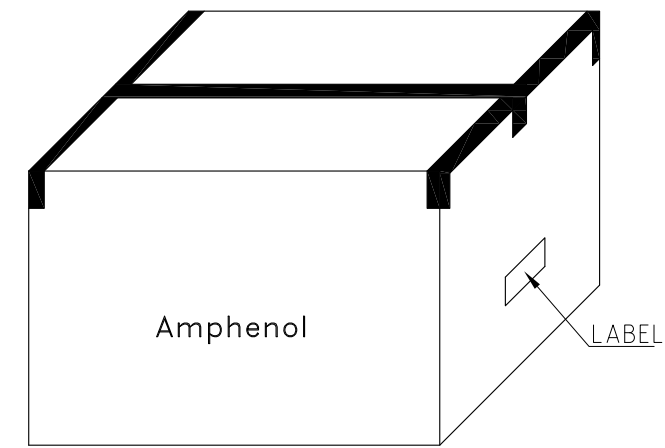
REVISIONS				
SYM	ECN	DESCRIPTION	DATE	APPROVED
		SEE SHEET 1		



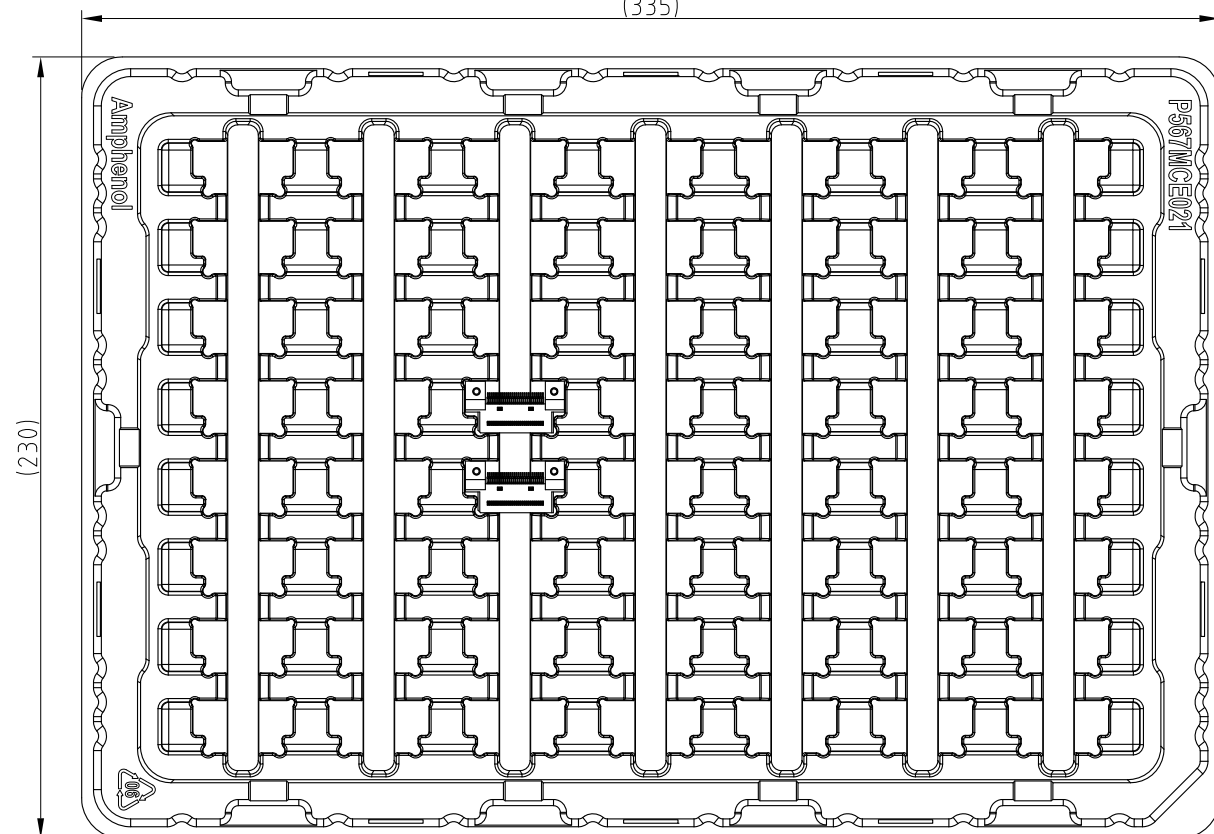
56 CONNECTORS /TRAY



(335)



1064PCS /CARTON



UNLESS OTHERWISE SPECIFIED TOLERANCES		APPROVAL	DATE	Amphenol		
	U.S. METRIC	DRAWN	Teng.Cao			Sep.24,2019
.X	+/- 0.25	CHECKED	Ly.Yi			Sep.24,2019
.XX	+/- 0.20	APPROVED				
.XXX	+/- 0.15					
FRACTIONS	+/- 5°	DRAWING FILE :		TITLE		
ANGLES		INTERNAL\DRAWING\ME\C ME100561340120X		MINI COOL EDGE CONNECTOR		
FOR MATERIALS AND FINISHES SEE NOTES		ANGLE OF PROJECTION		56P S/M MATE 2.36 HOST PCB		
REMOVE SHARP EDGES				SIZE	DRAWING NO.	REV.
DIMENSIONS				A3	C ME100561340120X	3
—U.S.—	INCHES			SCALE	NONE	SHEET 3 OF 3
(METRIC)	(mm)					