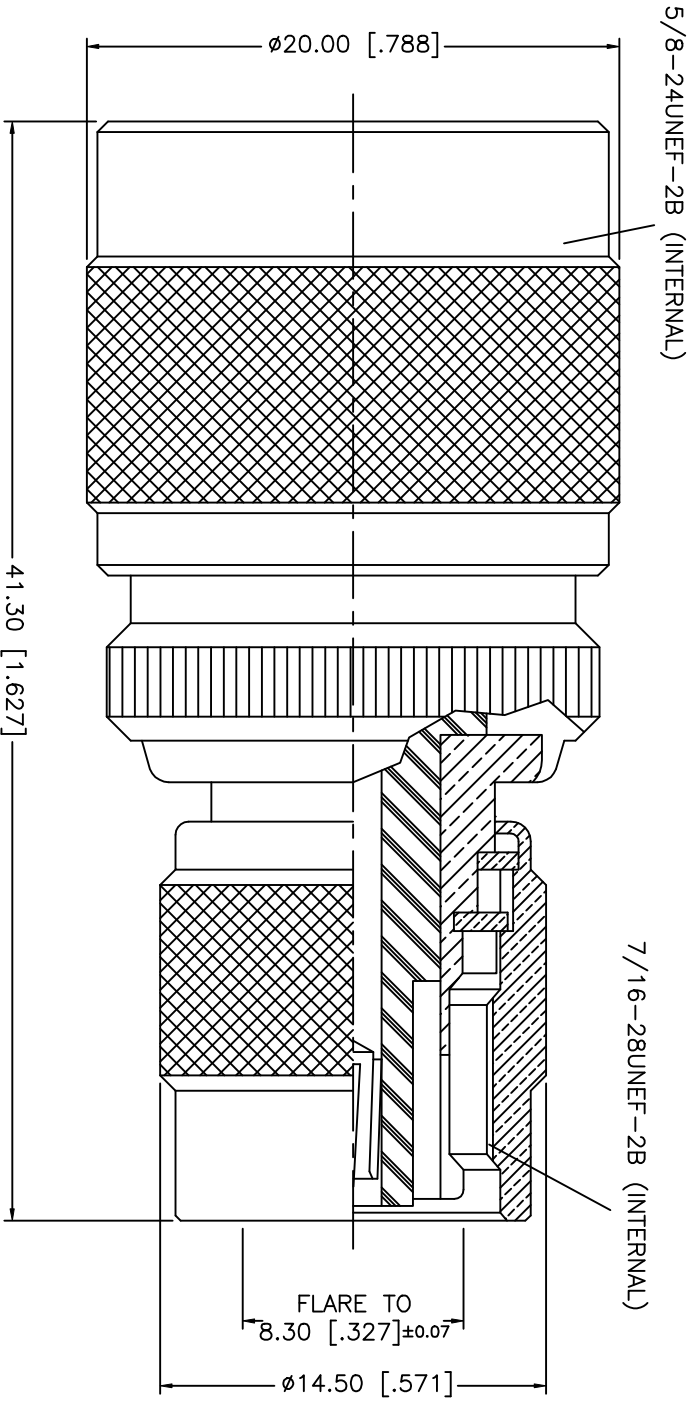


REV.	DATE	DESCRIPTION
NC	07/15/02	INITIAL RELEASE



8	DESCRIPTION	MATERIAL	FINISH
7	WASHER	BRASS	NICKEL
6	GASKET	RUBBER	RED
5	RETAINER RING	BER. COPPER	NATURAL
4	CONTACT PIN	PHOS. BRONZE	GOLD
3	INSULATOR	TEFLON	NATURAL
2	SHELL/BODY	BRASS	NICKEL
1	DESCRIPTION	MATERIAL	FINISH

UNLESS OTHERWISE SPECIFIED DIMENSIONS ARE IN MILLIMETERS		APPROVALS		DATE	
DIMENSIONS IN [ ] ARE IN INCHES FOR CUSTOMER REFERENCE ONLY		DRAWN G.R.S.		07/15/02	
UNLESS OTHERWISE SPECIFIED TOLERANCES FOR INCHES ARE: .XXX = ± 0.005" .XX = ± 0.010" .X = ± 0.020"		CHECKED			
DO NOT SCALE DRAWING		ISSUED			

<p style="text-align: center;"><b>Amphenol - Connex</b> CONNECTOR CORPORATION</p> <p style="text-align: center;">TITLE N PLUG TO TNC REVERSE POLARITY PLUG ADAPTOR</p>					
SIZE	FSCM NO.	DWG. NO.	SCALE	PART NO.	SHEET
A	99001	242133RP.DWG	NA	242133RP	1 OF 1
					REV. NC