

DVR-MB1

DVR Lockbox For Mobile/Rackmount

Product Features:

Interior dimensions 17" W x 13.8" D x 3" H

Lockbox is mountable on 4 sides
(left, right, bottom and rear) for mobile applications

Rack mountable with a 2 RU overall height

Securing strips included for DVR in mobile applications

Removable lid secured with security hardware

Key locked hinged front door

Multiple vents with removable vent blockers for active or
passive thermal management

Vent blockers included to control thermal flow through the
box for rackmount applications

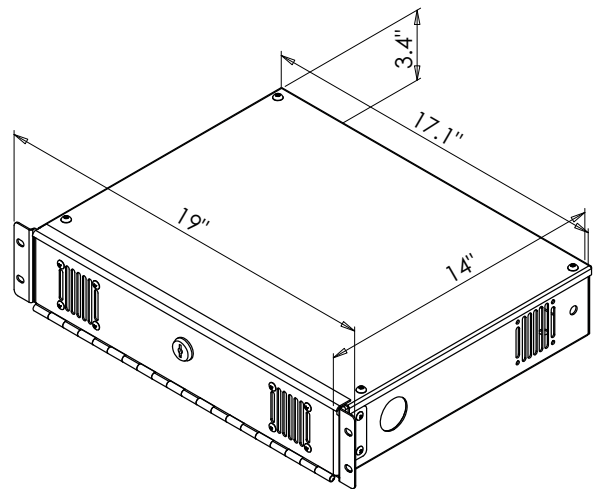
Black static resistant powder coat finish

Product Specifications:

(for Architects & Engineers)

The lockbox for mobile and/or equipment rack mounted applications shall be the Video Mount Products (VMP) model DVR-MB1. The lockbox shall be able to be surface mounted on four sides (bottom, rear, left and right) for a wide variety of mobile applications. The top plate shall be removable for installation and shall be secured with security hardware.

Securing strips shall be included to secure the DVR from shifting during movement for mobile applications. Front door shall be securable with a standard key lock. The lockbox shall come with attachable rack mount ears for rack mounted applications. The lockbox shall come with one terminated electric fan and shall have mounting locations for up to four fans. Vent blockers shall be included to allow channeling of air flow for rack mounted applications. The lockbox shall come with multiple cable knockouts for ease of wiring. The lockbox interior dimensions shall be 17" in width, 13.8" in depth and 3" in height. The lockbox shall be 2 rack units in height (3.4"). The lockbox shall have a black static resistant finish.



Video Mount Products

345 Log Canoe Circle

Stevensville, MD 21666

Toll Free: 877.281.2169

Telephone: 410.643.6390

Facsimile: 410.643.6615

www.videomount.com

VMP
VIDEO MOUNT PRODUCTS