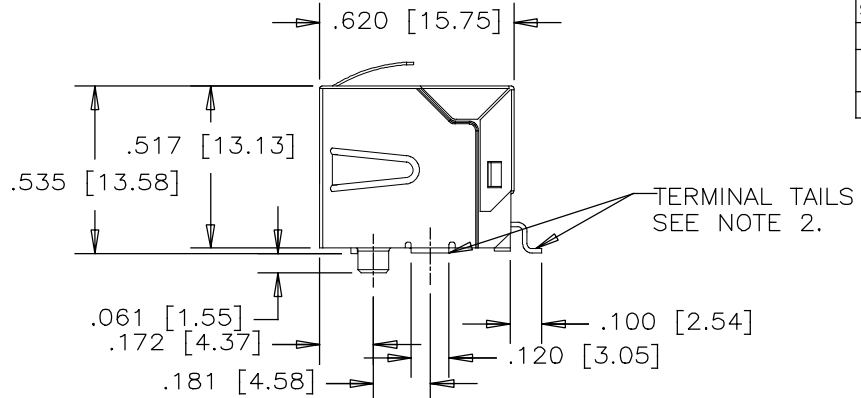
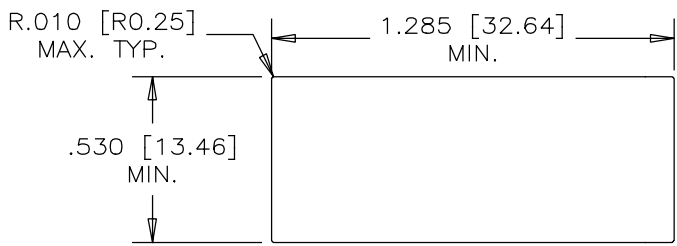


FRONT VIEW

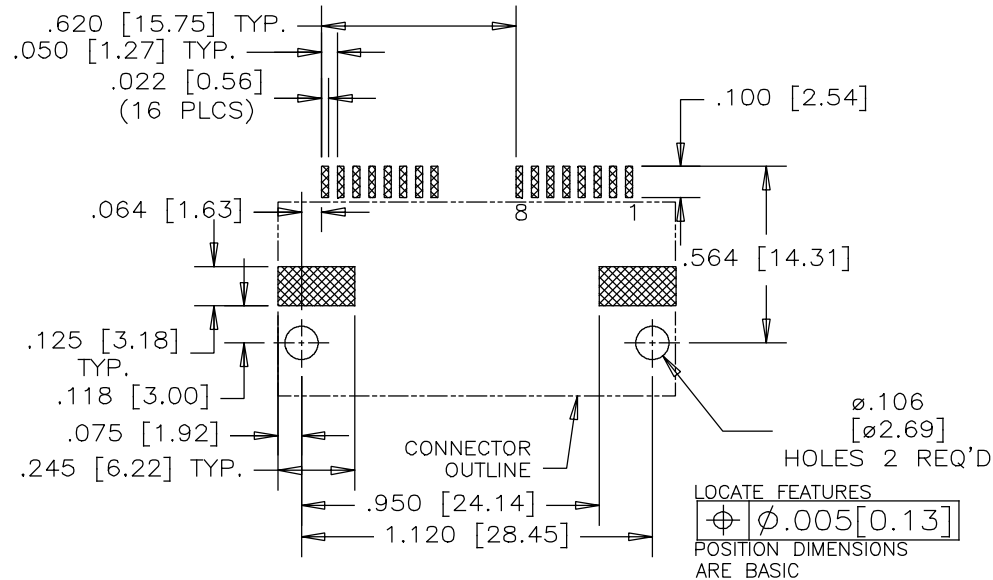


SIDE VIEW

REVISIONS				
SYM	ZONE	ECN, ERN NO.	DATE	APPRD.
A		PROPOSAL	SEP19/12	L.CHAN
B		CORRECT DIMENSION AND PACKAGING QUANTITY	JAN21/16	L.CHAN
C		CORRECT DRAWING	SEP27/16	L.CHAN



RECOMMENDED PANEL CUTOUT



RECOMMENDED P.C.B. LAYOUT
(COMPONENT SIDE OF BOARD)

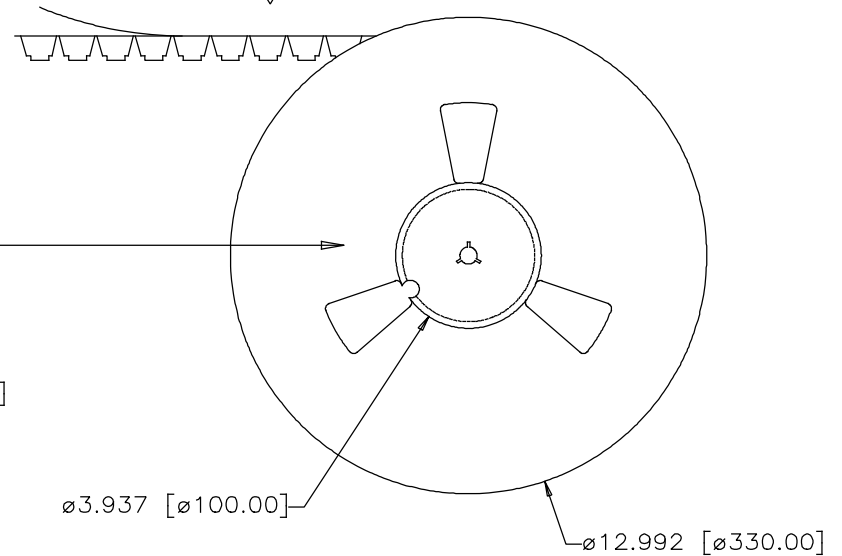
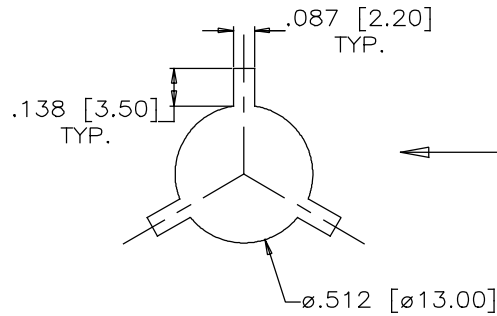
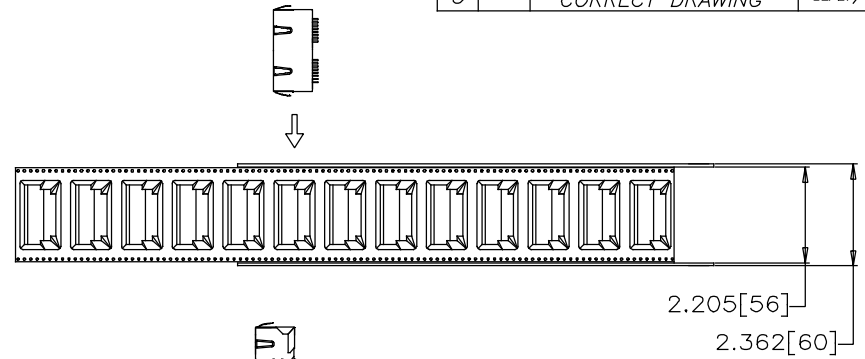
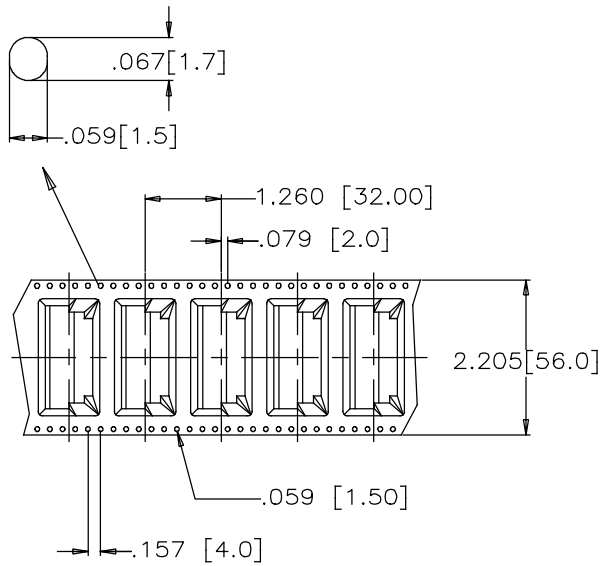
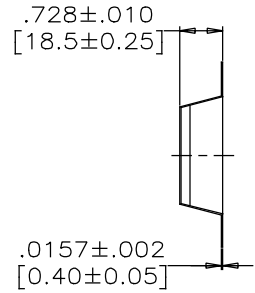
1. MATERIALS:
- HOUSING: ENGINEERING THERMOPLASTIC
FLAMMABILITY RATING UL 94V-0
COLOR: BLACK
 - CONTACTS: PHOSPHOR BRONZE
 - PLATING: 20 μ " [0.508 MICRONS] MIN. GOLD ON MATING SURFACES.
50 μ " [1.27 MICRONS] MIN. NICKEL UNDERPLATE.
100 μ " [2.54 MICRONS] MIN. MATTE-TIN OR GOLD FLASH ON CONTACT TAILS.
 - SHIELD: COPPER ALLOY PLATED NICKEL
2. COPLANARITY SPECIFICATION:
WITH THE MODULAR JACK SITTING ON A LEVEL SURFACE,
THE MAXIMUM GAP BETWEEN THE LEVEL SURFACE OF SHIELD
TAB AND ALL TERMINAL TAILS IS .004 [0.10].

PART NUMBER: RJSSE-5580-02T

MATERIAL	DRAWN	AMY.Z	DATE	SEP19/12	Amphenol Canada Corp.		
	DESIGNED						
FINISH	CHECKED	L.CHAN	DATE	SEP19/12	TITLE 2 PORT, SURFACE MOUNT, RJ45 ,MODULAR JACK, 8 POSITION, 8 CONTACTS, SHIELDED WITH FLATTEN BOTTOM TABS-ROHS COMPLIANT		
	I. E. APPRD.						
	Q. A. APPRD.						
	DWG. APPRD.						
	ENG. REL. NO.		DWG	DRAWING NO.	P-RJSSE-5580-02T	REV.	C
	REF.		C				
	DIMENSIONS ARE IN INCHES [mm]		SCALE	3/1	WT.	SURF.	SHEET 1 OF 2
		CODE ID. NO.					
		03554					

THIS DOCUMENT CONTAINS PROPRIETARY INFORMATION AND SUCH INFORMATION MAY NOT BE DISCLOSED TO OTHERS FOR ANY PURPOSE OR USED FOR MANUFACTURING PURPOSES WITHOUT WRITTEN PERMISSION FROM AMPHENOL CANADA CORP.

REVISIONS				
SYM	ZONE	ECN, ERN NO.	DATE	APPRD.
A		PROPOSAL	SEP19/12	L.CHAN
B		CORRECT DIMENSION AND PACKAGING QUANTITY	JAN21/16	L.CHAN
C		CORRECT DRAWING	SEP27/16	L.CHAN



PACKAGING NOTES:

- ONE REEL SHOULD HOLD 100 CONNECTORS.
- 10 EMPTY CAVITIES FOR BOTH TOP AND BOTTOM OF THE CARRIER.
- A FULLY LOADED CARTON SHOULD CONTAIN 5 REELS (500 PCS) OF CONNECTOR.

MATERIAL	DRAWN AMY.Z DESIGNED CHECKED L.CHAN I. E. APPRD. Q. A. APPRD. DWG. APPRD.	DATE SEP19/12 SEP19/12	Amphenol Canada Corp.	
FINISH	ENG. REL. NO. REF. DIMENSIONS ARE IN INCHES [mm]	CODE ID. NO. 03554	TITLE 2 PORT, SURFACE MOUNT, RJ45 ,MODULAR JACK, 8 POSITION, 8 CONTACTS,SHIELDED WITH FLATTEN BOTTOM TABS-ROHS COMPLIANT	
			DWG C	DRAWING NO. P-RJSSE-5580-02T
			SCALE	WT. _____ SURF. _____ SHEET 2 OF 2

THIS DOCUMENT CONTAINS PROPRIETARY INFORMATION AND SUCH INFORMATION MAY NOT BE DISCLOSED TO OTHERS FOR ANY PURPOSE OR USED FOR MANUFACTURING PURPOSES WITHOUT WRITTEN PERMISSION FROM AMPHENOL CANADA CORP.