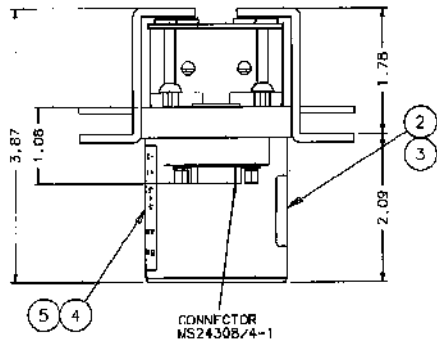
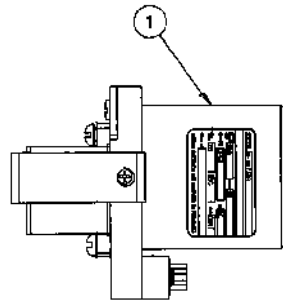
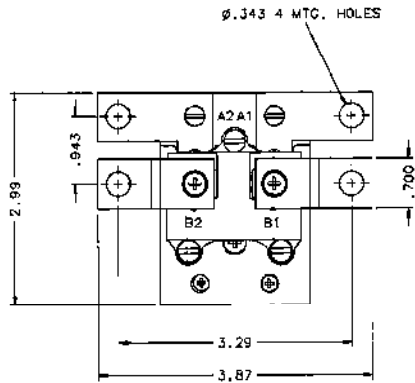
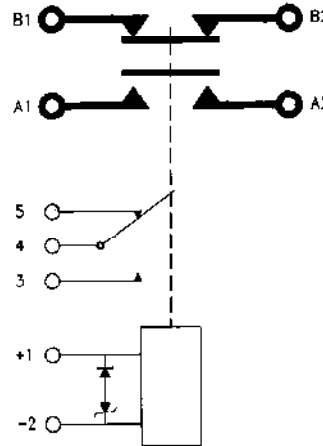
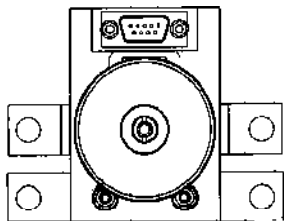


A-1077BB

REVISONS		RELEASED	APPROVED
SN	DESCRIPTION	DATE	
D 47467	ADDED DETAIL TO NAMEPL. SCHE. AND A VIEW	02/08/21	CC
E D039-02	ADDED TIMES TO DWG	02/09/19	CC
F D585-03	3.29 WAS 3.206; 3.87 WAS 3.872	03/06/19	CC



CONNECTOR MS24308/4-1



CONSTRUCTION GASKET SEALED, SILASTIC SEALED
 MAIN CONTACTS
 CONFIGURATION DPST 1N.O., 1N.C. (DOUBLE BREAK)
 VOLTAGE (NOM.) 28 VDC
 RUPTURE 2000 AMP
 INRUSH 1000 AMP

AUXILIARY CONTACTS
 CONFIGURATION S.P.D.T.
 VOLTAGE 28 VDC
 CURRENT RES. 10 AMP

COIL DATA
 DUTY CYCLE CONTINUOUS
 OPERATE VOLTAGE 22-29 VDC
 PICKUP VOLTAGE 18 VDC
 DROPOUT VOLTAGE .5-7 VDC
 RES AT 25°C 50 OHM ±10
 OPERATE TIME 45 mSEC MAX AT 28 VDC
 RELEASE TIME 25 mSEC MAX AT 28 VDC
 BOUNCE TIME 5 mSEC MAX AT 28 VDC

ENVIRONMENTAL DATA
 AMBIENT TEMP -55°C TO + 71°C
 LIFE ELECTRICAL 50,000 CYCLES MIN
 LIFE MECHANICAL 100,000 CYCLES MIN
 WEIGHT MAX 1 LB 15 OZ.

REV	NO	PART OR IDENTIFYING NO	DESCRIPTION OR NOMENCLATURE OR SPECIFICATION	QTY	UNIT	REVISION OR SPECIFICATION	MATERIAL OR NOTE
3	1	38528-001	OVERLAY - SCHEMATIC				
4	1	45697-001	SCHEMATIC				
2	1	38528-001	OVERLAY				
1	1	18943-128	PLATE - NAME				
1	1	33532-020	CONTACTOR ASSEMBLY - PRIMARY				
WELD SHEETS SPECIFY TOLERANCES IN INCHES DIMENSIONS SPECIFY ANGLES DIMENSIONS .010 ±.015 MATERIAL			DR BY: RLS 02/09/20 CHK BY: CC 03/02/21 ENGR: JSL 03/07/19 MFG: JTH 03/10/19	TYCO Electronics HARTMONT Division • 150 N. CHAMBERS STREET • NEW YORK, NY 10013 CONTACTOR - D.P.S.T., 1NO.1NC 200 AMP, 28 VDC 093			
SIZE: B EDGE IDENT: 74063 SCALE: NONE SHEET:			DWG NO.: A-1077BB REF TYCO P/N 1-16'6916-B				