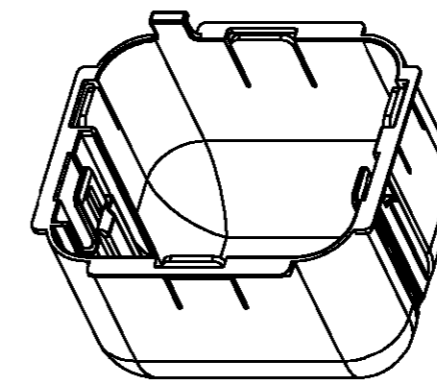
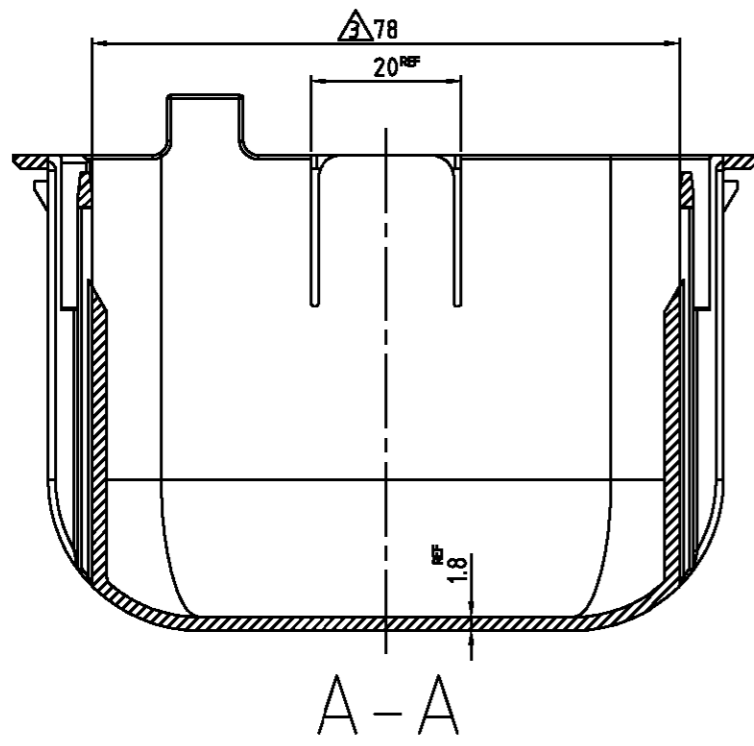
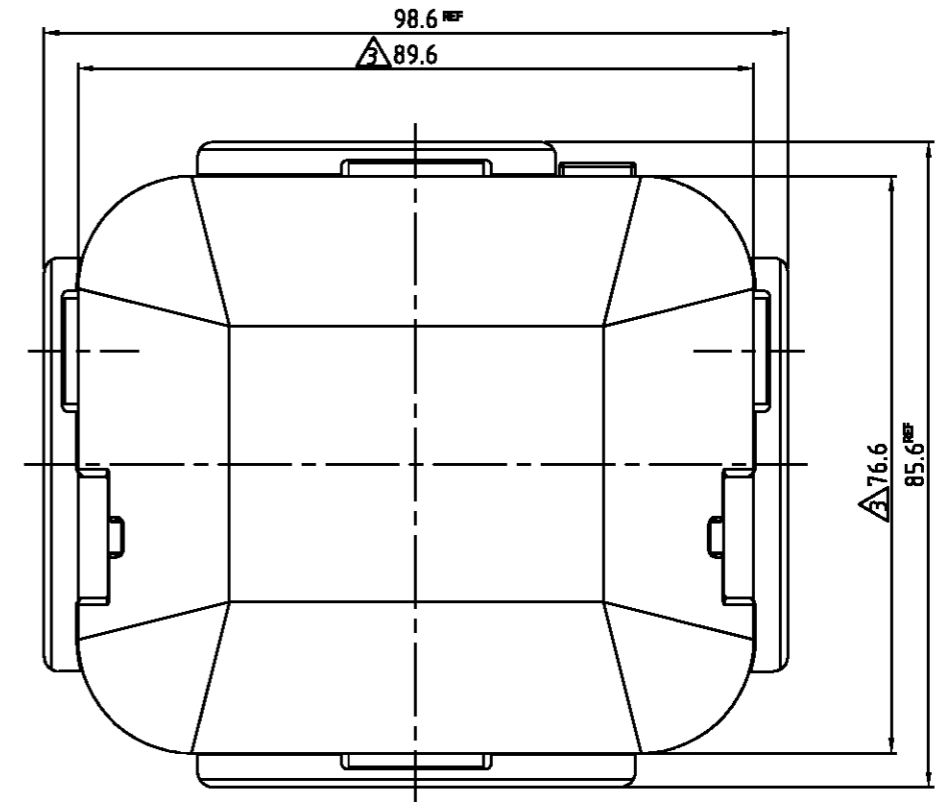
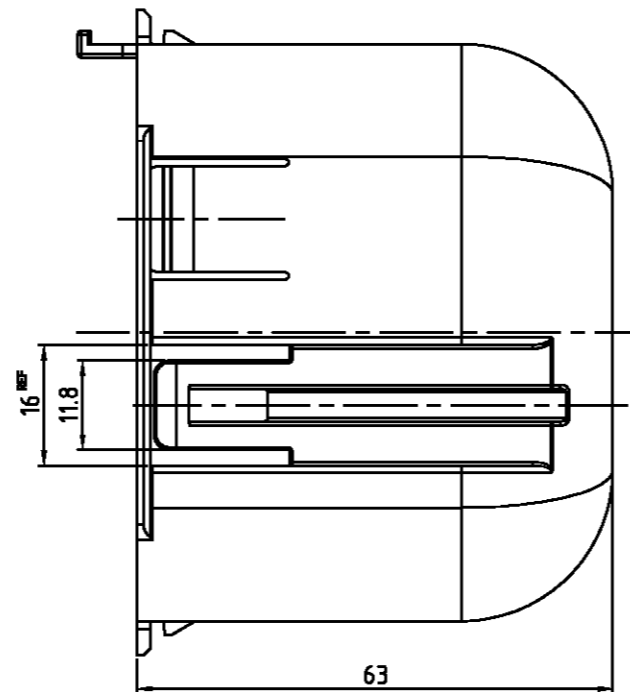
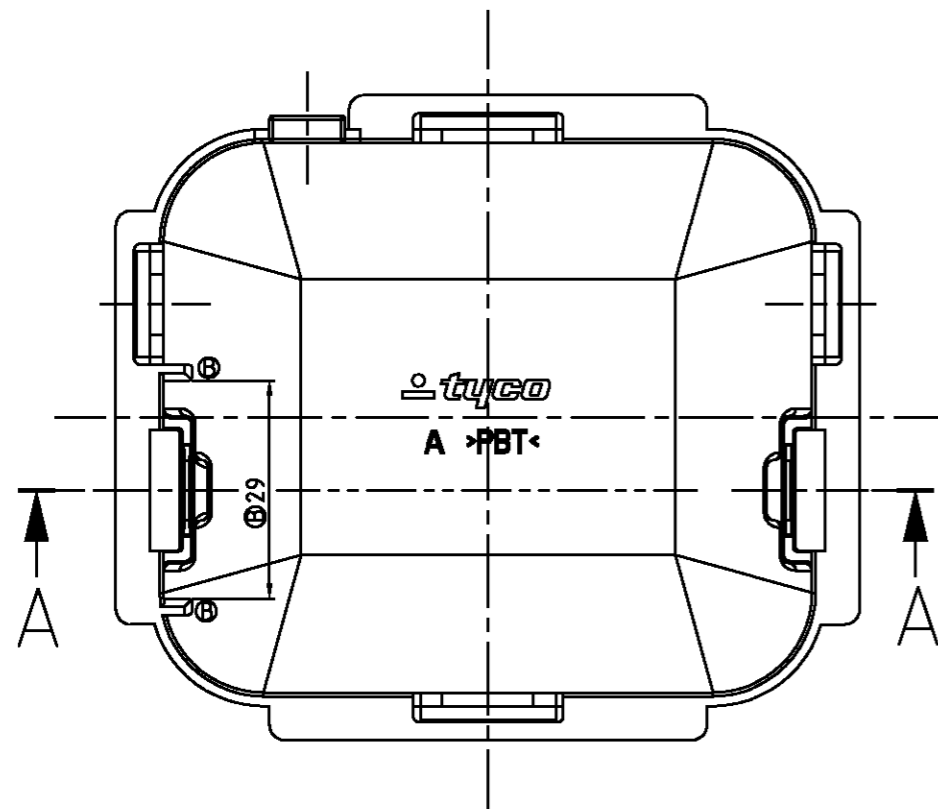


P	LTR	DESCRIPTION	DATE	DWN	APVD
	A	RELEASED	08/DEC/05	YH	JK
	B	REVISED (ECR-06-021016)	16/AUG/06	YH	JK



SCALE 1:2

- NOTE.
1. GENERAL TOLERANCE IS ± 0.3 , $\pm 3^\circ$
 2. MATING PLUG ASS'Y P/N : 1743251
- Δ WARPAGE IS PERMITTED MAX 1.0mm

1743411-2	PBT	BLACK
P/N	MATERIAL	COLOR

THIS DRAWING IS A CONTROLLED DOCUMENT FOR TYCO ELECTRONICS CORPORATION. IT IS SUBJECT TO CHANGE AND THE CONTROLLING ENGINEERING ORGANIZATION SHOULD BE CONTACTED FOR THE LATEST REVISION.

DWN :YH MA		tyco Electronics		AMP KOREA. kyungsan, korea	
CHK :YH CHOI				NAME	
APVD :JK SONG		PRODUCT SPEC		1.5/2.8mm HYBRID 92P BOX COVER HSG	
APPLICATION SPEC		WEIGHT		RESTRICTED TO	
DIMENSIONS: mm		TOLERANCES UNLESS OTHERWISE SPECIFIED: SEE NOTE		SIZE CAGE CODE DRAWING NO	
3rd ANGLE PROJECTION		FINISH		A3 00779 C= 1743411	
MATERIAL		CUSTOMER DRAWING		SCALE 1/1 SHEET 1 OF 1 REV B	