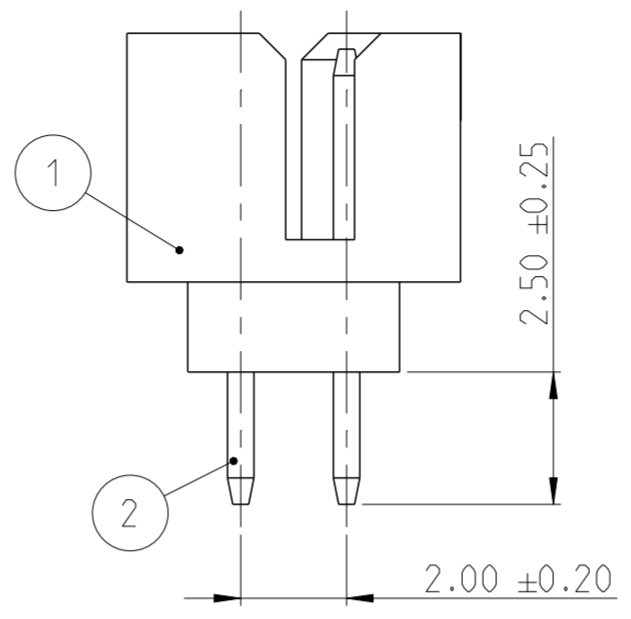
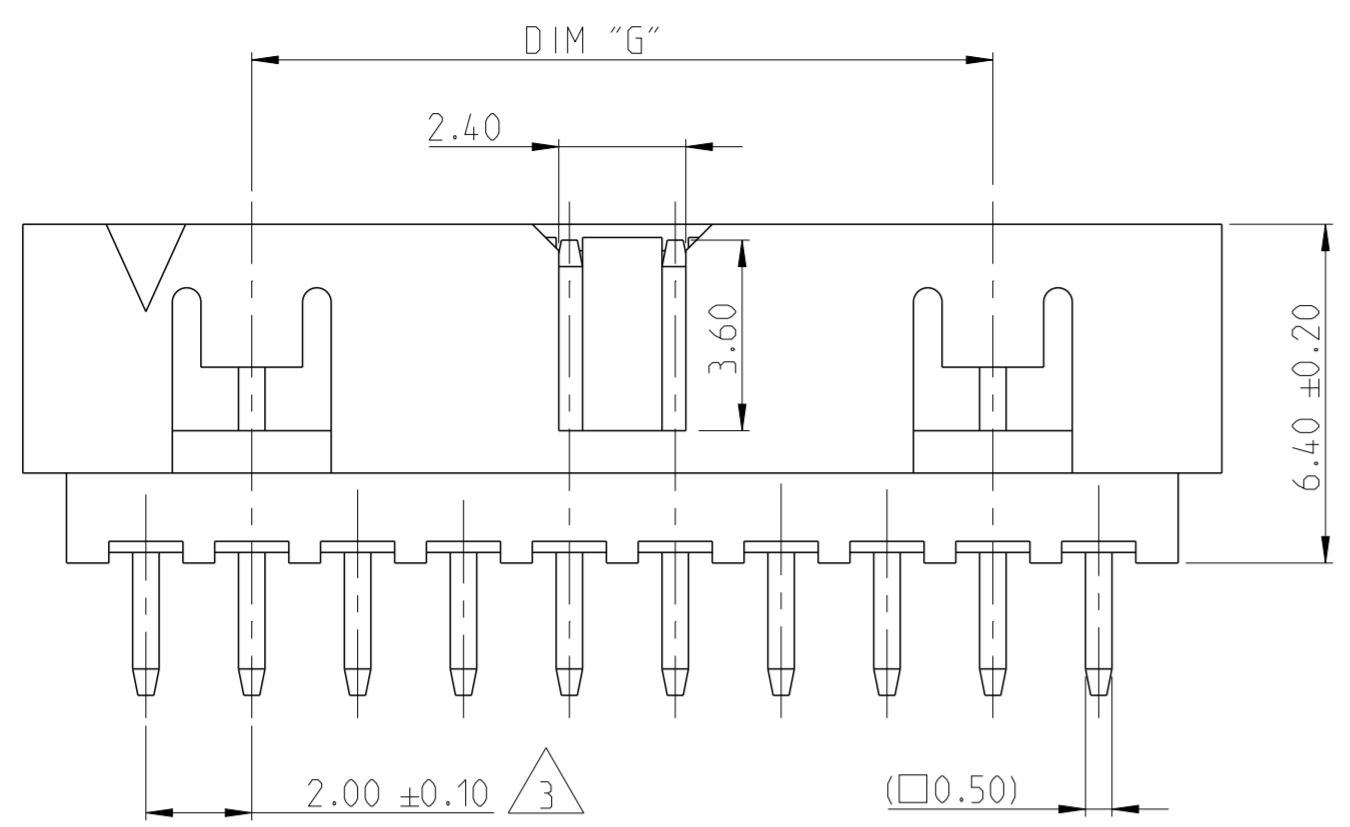
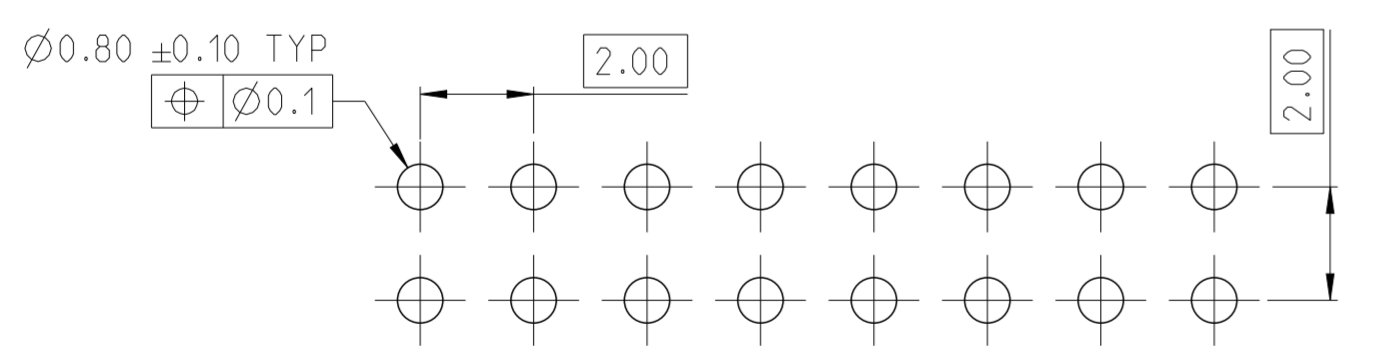
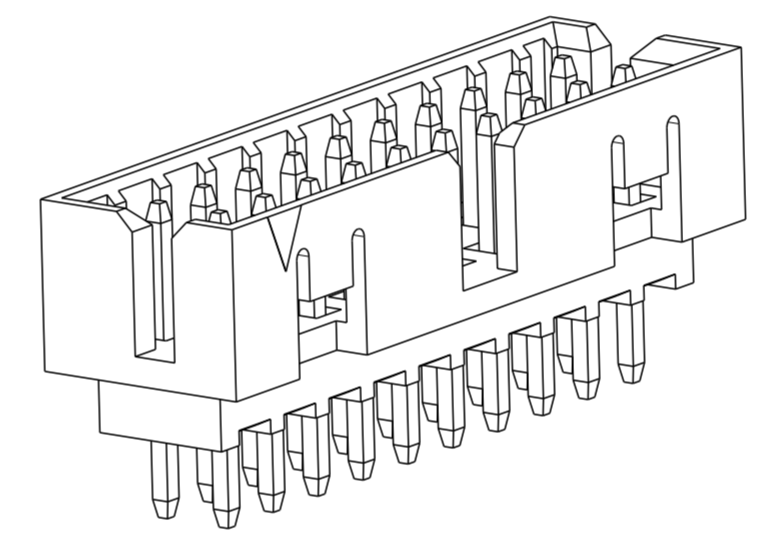
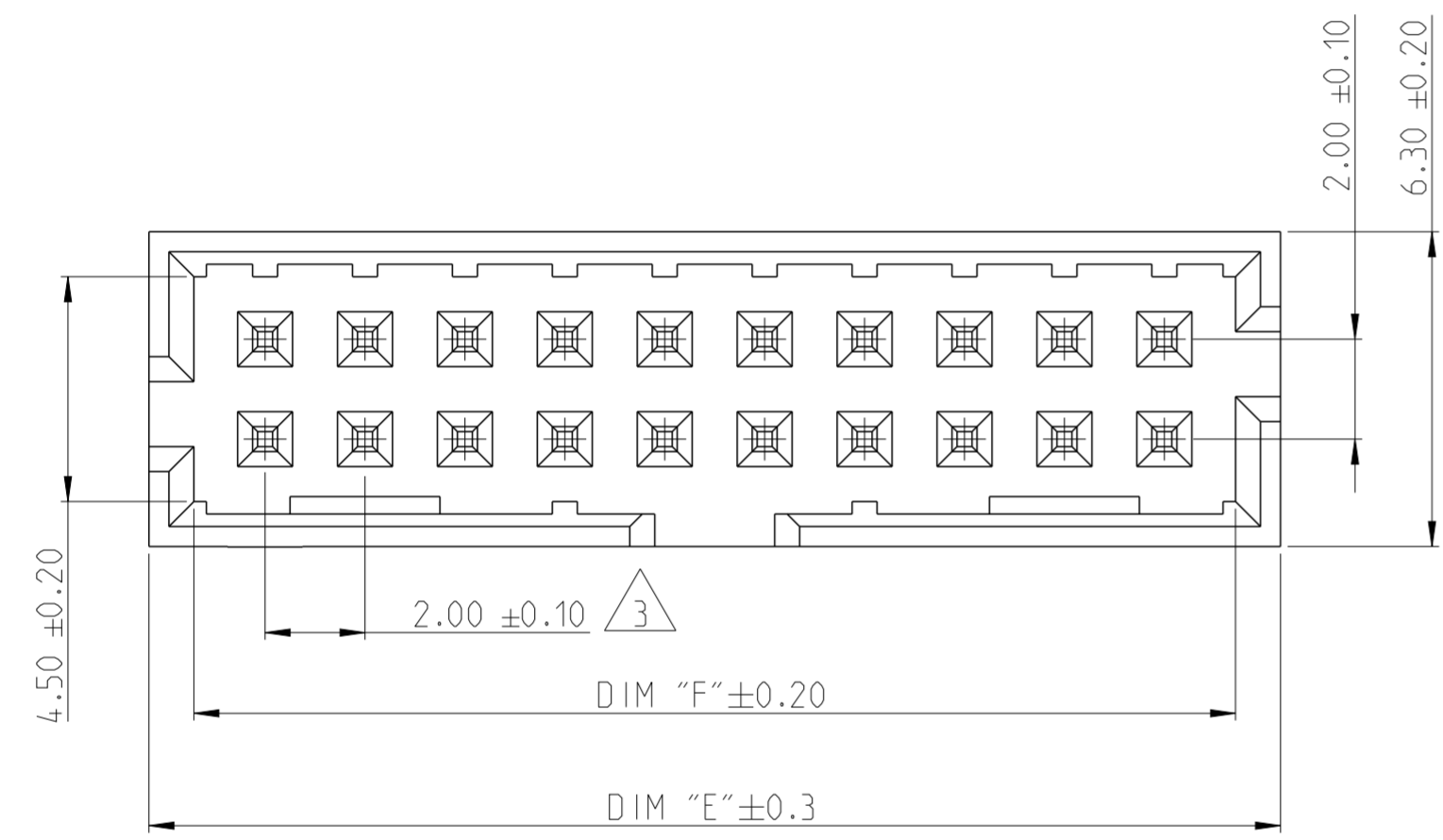


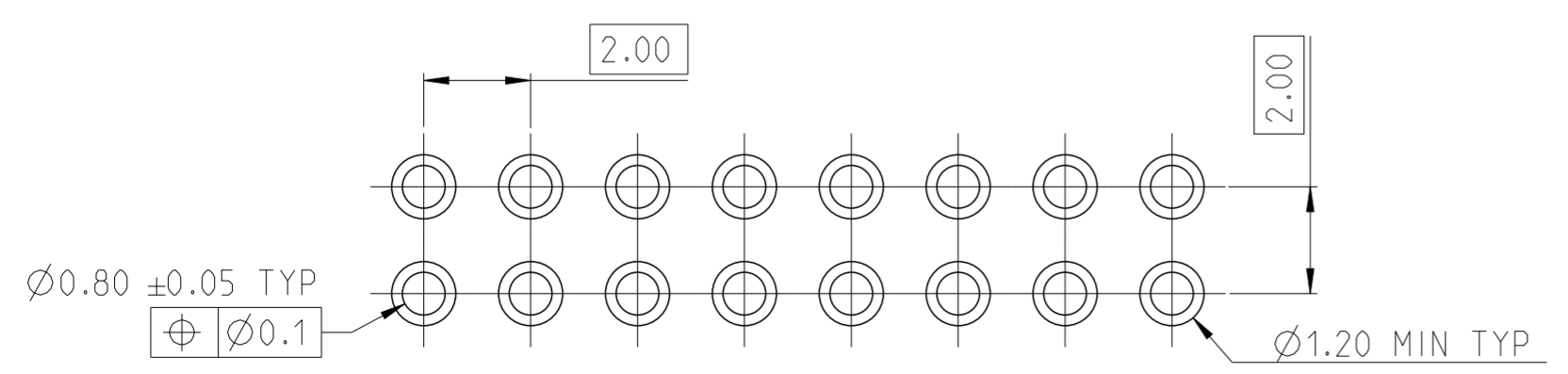
REVISIONS				
P	LTR	DESCRIPTION	DATE	APVD
A		RELEASE TO PRODUCTION	09DEC2019	AY PS



- NOTES:
- MATERIAL
HOUSING : HIGH TEMPERATURE THERMOPLASTIC, UL94-V0; COLOR- BLACK
POST : COPPER ALLOY
FINISH :
MATING SIDE: MIN. 0.1 µm GOLD OVER NICKEL UNDER PLATING.
SOLDER SIDE: MIN. 2.0 µm TIN OVER NICKEL UNDER PLATING.
 - PACKAGING: TUBE
- △ TOLERANCE NOT CUMULATIVE.



RECOMMENDED PCB HOLE PATTERN FOR THROUGH HOLE WAVE



RECOMMENDED PCB HOLE PATTERN FOR THROUGH HOLE REFLOW /PIN-IN-PASTE

2-2842236-0 AS SHOWN

44	50.85	52.65	50	5-2842236-0
38	44.85	46.65	44	4-2842236-4
34	40.85	42.65	40	4-2842236-0
28	34.85	36.65	34	3-2842236-4
24	30.85	32.65	30	3-2842236-0
20	26.85	28.65	26	2-2842236-6
18	24.85	26.65	24	2-2842236-4
14	20.85	22.65	20	2-2842236-0
10	16.85	18.65	16	1-2842236-6
8	14.85	16.65	14	1-2842236-4
DIM "G"	DIM "F"	DIM "E"	POS.	TE PN.

CONTACT PIN	2
HOUSING	1
DESCRIPTION	ITEM NO.

THIS DRAWING IS A CONTROLLED DOCUMENT.		DWN ANKIT YADAV 12NOV2019
DIMENSIONS: mm		CHK KARTHIK JK 25NOV2019
TOLERANCES UNLESS OTHERWISE SPECIFIED:		APVD PRASHANTH S. 27NOV2019
0 PLC	±	PRODUCT SPEC
1 PLC	±	108-64040
2 PLC	±0.25	APPLICATION SPEC
3 PLC	±	114-32259
4 PLC	±	WEIGHT -
ANGLES	±2°	CUSTOMER DRAWING
FINISH	-	SCALE 5:1 SHEET 1 OF 1 REV A

STE TE Connectivity	
NAME AMPMODU 2mm SHROUDED HEADER, DUAL ROW, VERTICAL TH. 0.1 Au, TUBE	
SIZE A2	CAGE CODE 00779
DRAWING NO. C-2842236	RESTRICTED TO -