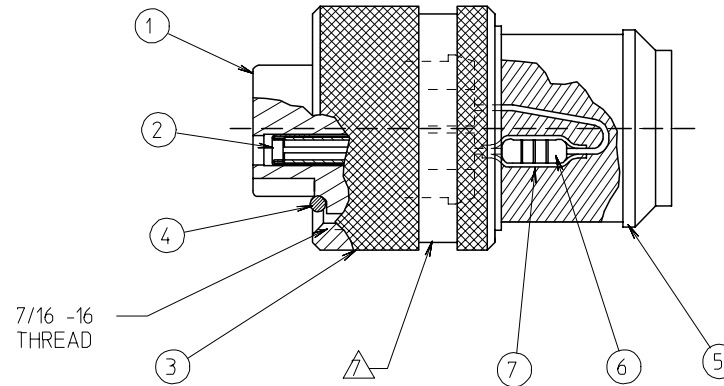
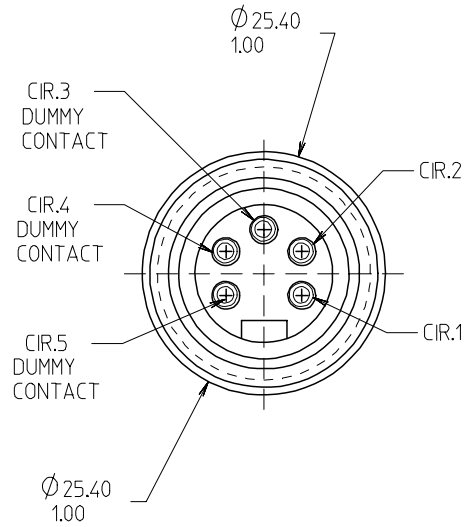
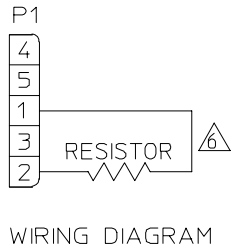


MATERIAL NO.	HOLJERON PART NO.
849140241	CBL-SKR583



NOTES:

1. MATERIAL: SEE TABLE
2. FINISHES: SEE TABLE
3. PRODUCT SPECIFICATION: NOT REQUIRED
4. PACKAGING: NOT REQUIRED
5. MATES WITH: MINI-C, MALE
- △ 121 OHM ±1% RESISTANCE FROM CIRCUIT 1 TO 2
- △ COUPLING RING TO BE MARKED WITH HOLJERON PART NO. CBL-SKR583 AND DATE CODE.

7	A/R	SHRINK TUBE, .093 DIA.	POLYOLEFIN	BLACK
6	1	RESISTOR, 121 OHMS ±1%	CCF-55-1210F	5 BAND COLOR CODE
5	1	OVERMOLD	PVC	GRAY
4	1	O-RING	VITON	BROWN
3	1	COUPLING RING, INT.THREAD	ST. STEEL	
2	5	CONTACT SOCKET	CU ALLOY	GOLD PLATED
1	1	SOCKET INSERT, 5/C	PVC	GRAY
ITEM	QTY.	DESCRIPTION	MATERIAL	FINISH

CAME FROM SD-84914-0241	DESCRIPTION
EC NO: ETC2007-0428	REV
DRWN: JENCINAS 2007/06/04	
CHKD: JENCINAS 2007/06/10	
APPR: JMACNEIL 2007/06/11	
A	

QUALITY SYMBOLS
▽=0
▽=0

GENERAL TOLERANCES (UNLESS SPECIFIED)	
mm	INCH
4 PLACES ±.005	±.0005
3 PLACES ±.013	±.001
2 PLACES ±.025	±.002
1 PLACE ±.050	±.004
ANGULAR ± 2 °	
DRAFT WHERE APPLICABLE MUST REMAIN WITHIN DIMENSIONS	

DIMENSION STYLE	MM/IN
DRAWN BY	DATE
GF	1999/04/05
CHECKED BY	DATE
DW	1999/04/16
APPROVED BY	DATE
DW	1999/04/16
MATERIAL NO.	SEE CHART
SIZE	B

SCALE	2:1
DESIGN UNITS	INCH
THIRD ANGLE PROJECTION	
TITLE	
TERMINATING PLUG,FEMALE MINI-C	
MOLEX INCORPORATED	
MATERIAL NO.	SD-84914-007
DOCUMENT NO.	
SHEET NO.	1 OF 1
THIS DRAWING CONTAINS INFORMATION THAT IS PROPRIETARY TO MOLEX INCORPORATED AND SHOULD NOT BE USED WITHOUT WRITTEN PERMISSION	