

S53 SERIES MATRIX

S 5 3 2 X X X X X X X X X

SERIES
S53- INTERNAL
THREAD
FORM A

POLES
2- 2 POLE

THREAD
09- PG9
11- PG11
M6-M6x1.5

MATERIAL AND
HOUSING COLOR:
G - PA6 Grey
N - Black Black
T- Transparent
W- Black
UL94- V0

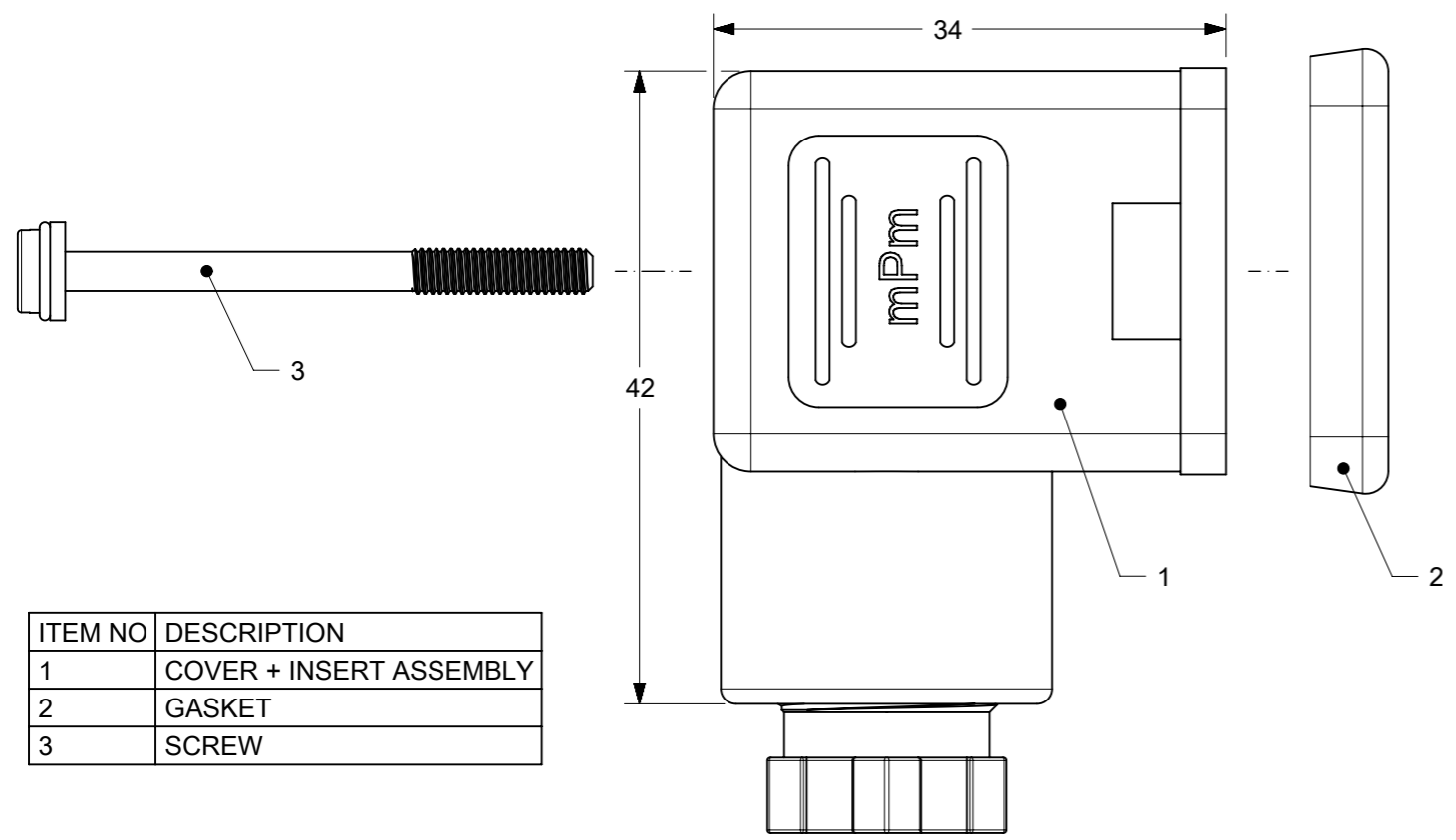
CIRCUIT
SEE DETAILS
IN CATALOGUE

VOLTAGE
SEE DETAILS
IN CATALOGUE

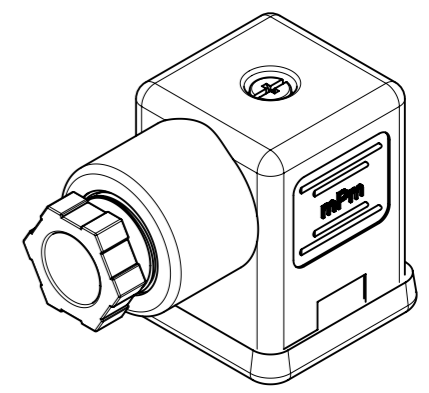
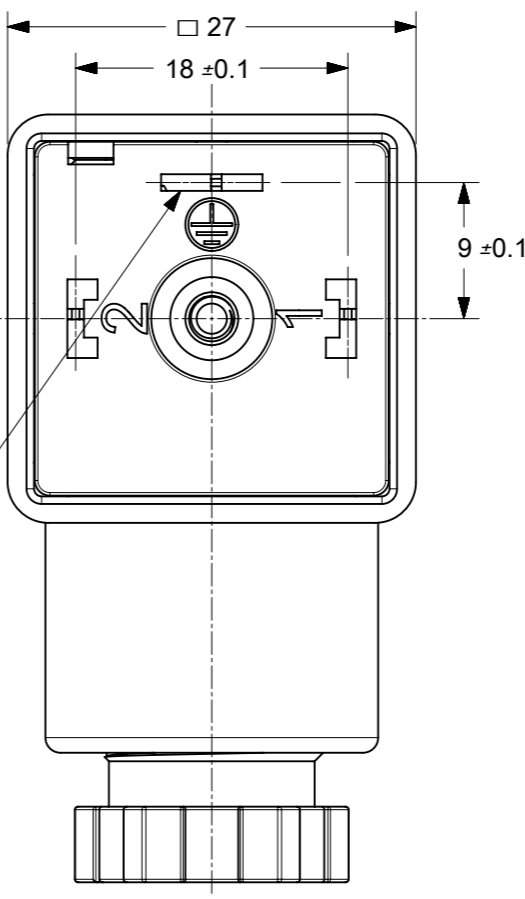
SCREW AND GASKET
1- NBR PROFILE GASKET & SCREW
2- NBR FLAT GASKET & SCREW
T- NBR PROFILE GASKET & IP67 SCREW

NON STANDARD COMPONETS
AF- WITH CENTRE SCREW MOUNTED
14- SINGLE BAGGED
SA- UL LISTED
AN-CIRCUIT R0 WITH 3 DIODES x
ELECTRIX (1002-97)

SEE TABLE 1 FOR GASKET AND SCREW TYPES



ITEM NO	DESCRIPTION
1	COVER + INSERT ASSEMBLY
2	GASKET
3	SCREW



SCALE 1:1

TABLE 1

PROFILED GASKET	FLAT GASKET	SCREW M3x36
		SCREW M3x36 + WASHER

TECHNICAL SPECIFICATION:
OPERATING CURRENT: 16A
CONTACT RESISTANCE: <15 mOhms MAX.
OPERATING TEMPERATURE:
NBR GASKET: -40° TO +90°C
SILICONE GASKET: -40° TO 125°C


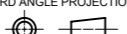
THIS DRAWING CONTAINS INFORMATION THAT IS PROPRIETARY TO MOLEX ELECTRONIC TECHNOLOGIES, LLC AND SHOULD NOT BE USED WITHOUT WRITTEN PERMISSION		CURRENT REV DESC: OBSOLETE PART NO.			
DIMENSION UNITS	SCALE	EC NO: 632260			
mm	2:1	DRWN: RPRABHUM 2020/02/03		CONNECTOR 532 PG09 BLACK H12	
GENERAL TOLERANCES (UNLESS SPECIFIED)		CHK'D: GGA 2020/02/28		PRODUCT CUSTOMER DRAWING	
ANGULAR TOL	± 1.0 °	APPR: GGA 2020/02/28		DOCUMENT NUMBER	
4 PLACES	±	INITIAL REVISION:		1210640896	
3 PLACES	±	DRWN: MDHARMANTI 2018/11/23		DOC TYPE	
2 PLACES	± 0.05	APPR: RSILLER 2019/02/01		PSD	
1 PLACE	± 0.3	MATERIAL NUMBER		000	
0 PLACES	± 0.5	CUSTOMER		A2	
DRAFT WHERE APPLICABLE MUST REMAIN WITHIN DIMENSIONS		THIRD ANGLE PROJECTION	DRAWING	SERIES	SHEET NUMBER
			A3-SIZE	121064	1 OF 2

PART LIST

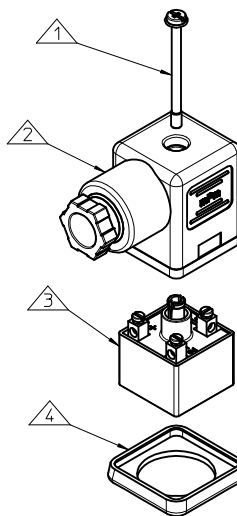
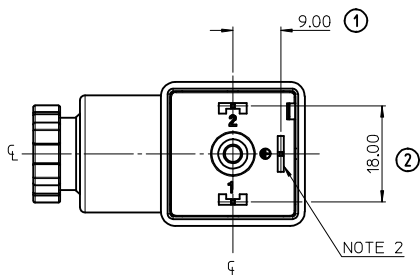
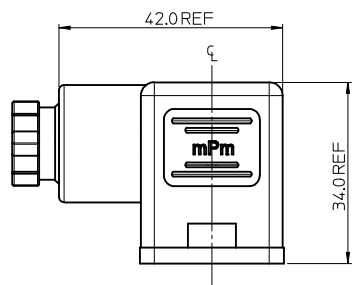
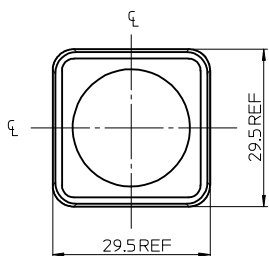
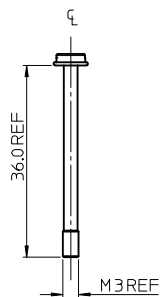
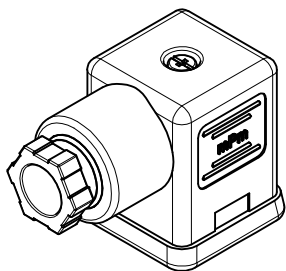
ENGINEERING NO.	MOLEX PN	EARTH
S53209NR021	1210640896	H12
S53209GR051	1210640891	H12
S53209NE151	1210640894	H12
S53209NR031	1210640898	H12
S53209NR041	1210640899	H12
S53209NR051	1210640900	H12
S53209NR051AF	1210650593	H12
S53209NR052	1210640901	H12
S53209TC321	1210640918	H12
S53209TC411	1210640923	H12
S53209TC421	1210640924	H12
S53209TC441	1210640926	H12
S53209TC451	1210640927	H12
S53209TC4B1	1210640928	H12
S53209TC4D1	1210640930	H12
S53209TC4E1	1210640932	H12
S53209TC4H1	1210640934	H12
S53209TC4L1	1210640936	H12
S53209TC4M1	1210640937	H12
S53209TG221	1210640939	H12
S53209TR211	1210640944	H12
S53209TR221	1210640945	H12
S53209TR241	1210640948	H12
S53209TR251	1210640949	H12
S53209TR252	1210640950	H12
S53209TR2H1	1210640953	H12
S53209TR2L1	1210640954	H12
S53209TR2M1	1210640955	H12
S53209TU021	1210640964	H12
S53211GR041	1210640972	H12
S53211GR051	1210640973	H12
S53211NR021	1210640975	H12
S53211NR031	1210640977	H12
S53211NR041	1210640978	H12
S53211NR051	1210640979	H12
S53211NR052	1210640980	H12
S53211TC321	1210640996	H12
S53211TC421	1210641001	H12
S53211TC421AF	1210641705	H12

ENGINEERING NO.	MOLEX P/N	EARTH
S53211TC441	1210641003	H12
S53211TC451	1210641004	H12
S53211TC4B1	1210641005	H12
S53211TC4H1	1210641007	H12
S53211TR221	1210641014	H12
S53211TR241	1210641016	H12
S53211TR251	1210641017	H12
S532M6NR021	1210641698	H12
S532M6NR051	1210641542	H12
S532M6TC421	1210641422	H12
S532M6TS021	1210641452	H12
S53209NE051	1210640893	H12
S53209NR0612110*	1210650520*	H12
S53209NR061	1210641425	H12
S53209NR061AN	1210650521	H12
S53209TR221AF	1210641734	H12
S532M6TC321	1210641788	H12
S53211WE151SA	1210641813	H12
S53211TA1L10458*	1210641681*	H12
S53209NR05T14	1210641798	H12
S53209NR02T14	1210641816	H12
A1 S53209WR041SA	1210641589	H12

NOTE:
* P/N 1210650521 & 1210641681 are special customer P/N's.

THIS DRAWING CONTAINS INFORMATION THAT IS PROPRIETARY TO MOLEX ELECTRONIC TECHNOLOGIES, LLC AND SHOULD NOT BE USED WITHOUT WRITTEN PERMISSION									
DIMENSION UNITS	SCALE	CURRENT REV DESC: OBSOLETE PART NO.							
mm	2:1								
GENERAL TOLERANCES (UNLESS SPECIFIED)		EC NO: 632260			CONNECTOR 532 PG09 BLACK H12				
ANGULAR TOL	± 1.0 °	DRWN: RPRABHUM 2020/02/03							
4 PLACES	±	CHK'D: GGA 2020/02/28			PRODUCT CUSTOMER DRAWING				
3 PLACES	±	APPR: GGA 2020/02/28							
2 PLACES	± 0.05	INITIAL REVISION:			DOCUMENT NUMBER				
1 PLACE	± 0.3	DRWN: MDHARMANTI 2018/11/23							
0 PLACES	± 0.5	APPR: RSILLER 2019/02/01			PSD 000 A2				
DRAFT WHERE APPLICABLE MUST REMAIN WITHIN DIMENSIONS		THIRD ANGLE PROJECTION	DRAWING	SERIES					
			A3-SIZE	121064	PART LIST	GENERAL MARKET	2 OF 2		

DOCUMENT STATUS	P1	RELEASE DATE	2020/02/28	02:41:00
-----------------	----	--------------	------------	----------



ITEM	DESCRIPTION
1	SCREW
2	COVER ASSEMBLY
3	INSERT ASSEMBLY
4	GASKET

S53209NE051**

SERIES _____
 S53= INTERNAL THREAD FORM A
 POLES _____
 2= 2 POLE
 THREAD _____
 09= PG9, 11= PG11, M6= M16x1.5
 MATERIAL AND HOUSING COLOUR _____
 G= PA6 GRAY, N= PA6 BLACK, T= TRANSPARENT W= BLACK UL94-V0
 CIRCUIT _____
 SEE DETAILS IN CATALOGUE
 VOLTAGE _____
 SEE DETAILS IN CATALOGUE
 SCREW AND GASKET _____
 1= NBR PROFILE GASKET & SCREW
 2= NBR FLAT GASKET & SCREW
 T= NBR PROFILE GASKET & IP67 SCREW
 NON STANDARD COMPONENTS _____
 AF= WITH CENTRE SCREW MOUNTED
 14= SINGLE BAGGED
 SA= UL LISTED

NOTES

- PLEASE SEE SHEET 2 FOR CURRENTLY CONFIGURED PART NUMBERS. FOR SPECIFIC PART NUMBERS PLEASE CONTACT SALES OR CONSULT THE INTELLIGENT PART NUMBERS IN THE TABLE ATTACHED.
- EARTH POSITION SHOWN, H12
- FOR PACKAGING SEE PACKAGING SPEC PK-121065-S53
- PRODUCT SPEC: SEE PS-121201-001
- PART SHOWN FOR ILLUSTRATION PURPOSES ONLY

LAST INSPECTION NUMBER 2

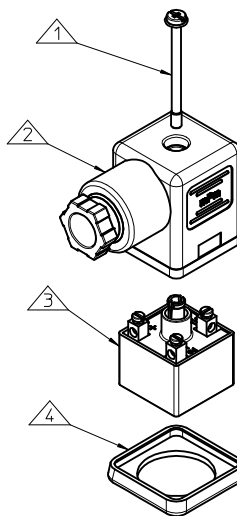
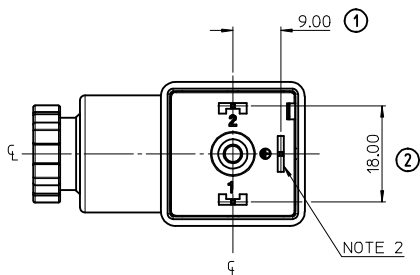
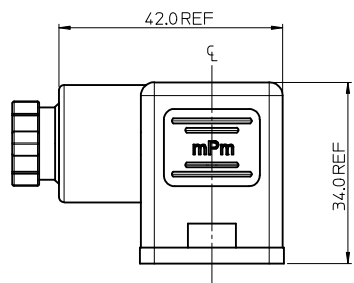
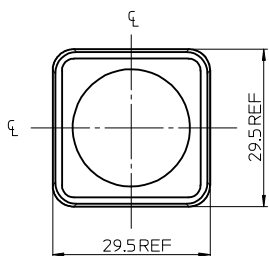
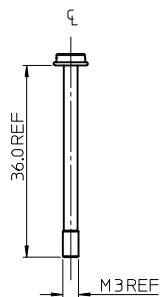
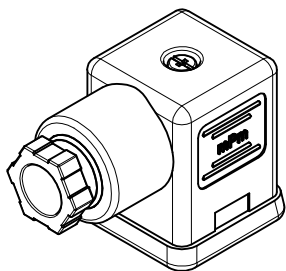
ADDED P/N EC NO: IPG2015-4079 DRW:DSHEA 2014/12/05 CHKD:SHAMHAN 2014/12/08 APPR:STIGLFEIN 2014/12/19	QUALITY SYMBOLS ▽=0 ▽=0	GENERAL TOLERANCES (UNLESS SPECIFIED)		DIMENSION STYLE MM ONLY	SCALE 1.5:1	DESIGN UNITS METRIC	THIRD ANGLE PROJECTION
		4 PLACES ± --- ± --- 3 PLACES ± --- ± --- 2 PLACES ± 0.10 ± --- 1 PLACE ± 0.20 ± --- ANGULAR ± 2 °	DRAWN BY DSHEA DATE 2011/06/02	TITLE S53 SERIES INTERNAL THREAD	MOLEX INCORPORATED		
DRAFT WHERE APPLICABLE MUST REMAIN WITHIN DIMENSIONS	SEE SHEET 2	APPROVED BY EFOLAN DATE 2011/06/22	MATERIAL NO. SD-121064-007	DOCUMENT NO.	SHEET NO. 1 OF 3		

PART NO	MPM NO	DESCRIPTION	CIRCUIT	VOLTAGE	INDICATOR
1210640889	S53209GR021	TYPE A 2P PG9 GRAY NBR PROFILE GASKET	R0	24V	VDR
1210640890	S53209GR041	TYPE A 2P PG9 GRAY NBR PROFILE GASKET	R0	115V	VDR
1210640891	S53209GR051	TYPE A 2P PG9 GRAY NBR PROFILE GASKET	R0	230V	VDR
1210640893	S53209NE051	TYPE A 2P PG9 BLACK NBR PROFILE GASKET	E0	230V	DIODE
1210640894	S53209NE151	TYPE A 2P PG9 BLACK NBR PROFILE GASKET	E1	230V	DIODE
1210640896	S53209NR021	TYPE A 2P PG9 BLACK NBR PROFILE GASKET	R0	24V	VDR
1210640898	S53209NR031	TYPE A 2P PG9 BLACK NBR PROFILE GASKET	R0	48V	VDR
1210640899	S53209NR041	TYPE A 2P PG9 BLACK NBR PROFILE GASKET	R0	115V	VDR
1210640900	S53209NR051	TYPE A 2P PG9 BLACK NBR PROFILE GASKET	R0	230V	VDR
1210640901	S53209NR052	TYPE A 2P PG9 BLACK NBR FLAT GASKET	R0	230V	VDR
1210640904	S53209TA021	TYPE A 2P PG9 TRANSPARENT NBR PROFILE GASKET	A0	24V	LAMP
1210640907	S53209TA121	TYPE A 2P PG9 TRANSPARENT NBR PROFILE GASKET	A1	24V	RED LED
1210640908	S53209TA131	TYPE A 2P PG9 TRANSPARENT NBR PROFILE GASKET	A1	48V	RED LED
1210640909	S53209TA141	TYPE A 2P PG9 TRANSPARENT NBR PROFILE GASKET	A1	115V	RED LED
1210640910	S53209TA151	TYPE A 2P PG9 TRANSPARENT NBR PROFILE GASKET	A1	230V	RED LED
1210640917	S53209TC311	TYPE A 2P PG9 TRANSPARENT NBR PROFILE GASKET	C3	12V	RED LED
1210640918	S53209TC321	TYPE A 2P PG9 TRANSPARENT NBR PROFILE GASKET	C3	24V	RED LED
1210640920	S53209TC351	TYPE A 2P PG9 TRANSPARENT NBR PROFILE GASKET	C3	230V	RED LED
1210640921	S53209TC3B1	TYPE A 2P PG9 TRANSPARENT NBR PROFILE GASKET	C3	24V	GREEN LED
1210640922	S53209TC3H1	TYPE A 2P PG9 TRANSPARENT NBR PROFILE GASKET	C3	24V	AMBER LED
1210640923	S53209TC411	TYPE A 2P PG9 TRANSPARENT NBR PROFILE GASKET	C4	12V	RED LED
1210640924	S53209TC421	TYPE A 2P PG9 TRANSPARENT NBR PROFILE GASKET	C4	24V	RED LED
1210640926	S53209TC441	TYPE A 2P PG9 TRANSPARENT NBR PROFILE GASKET	C4	115V	RED LED
1210640927	S53209TC451	TYPE A 2P PG9 TRANSPARENT NBR PROFILE GASKET	C4	230V	RED LED
1210640928	S53209TC4B1	TYPE A 2P PG9 TRANSPARENT NBR PROFILE GASKET	C4	24V	GREEN LED
1210640930	S53209TC4D1	TYPE A 2P PG9 TRANSPARENT NBR PROFILE GASKET	C4	115V	GREEN LED
1210640932	S53209TC4E1	TYPE A 2P PG9 TRANSPARENT NBR PROFILE GASKET	C4	230V	GREEN LED
1210640934	S53209TC4H1	TYPE A 2P PG9 TRANSPARENT NBR PROFILE GASKET	C4	24V	AMBER LED
1210640936	S53209TC4L1	TYPE A 2P PG9 TRANSPARENT NBR PROFILE GASKET	C4	115V	AMBER LED
1210640937	S53209TC4M1	TYPE A 2P PG9 TRANSPARENT NBR PROFILE GASKET	C4	230V	AMBER LED
1210640939	S53209TG221	TYPE A 2P PG9 TRANSPARENT NBR PROFILE GASKET	G2	24V	RED LED
1210640941	S53209TG251	TYPE A 2P PG9 TRANSPARENT NBR PROFILE GASKET	G2	230V	RED LED
1210640944	S53209TR211	TYPE A 2P PG9 TRANSPARENT NBR PROFILE GASKET	R2	12V	RED LED
1210640945	S53209TR221	TYPE A 2P PG9 TRANSPARENT NBR PROFILE GASKET	R2	24V	RED LED
1210640946	S53209TR222	TYPE A 2P PG9 TRANSPARENT NBR FLAT GASKET	R2	24V	RED LED
1210640948	S53209TR241	TYPE A 2P PG9 TRANSPARENT NBR PROFILE GASKET	R2	115V	RED LED
1210640949	S53209TR251	TYPE A 2P PG9 TRANSPARENT NBR PROFILE GASKET	R2	230V	RED LED
1210640950	S53209TR252	TYPE A 2P PG9 TRANSPARENT NBR FLAT GASKET	R2	230V	RED LED
1210640953	S53209TR2H1	TYPE A 2P PG9 TRANSPARENT NBR PROFILE GASKET	R2	24V	AMBER LED
1210640954	S53209TR2L1	TYPE A 2P PG9 TRANSPARENT NBR PROFILE GASKET	R2	115V	AMBER LED
1210640955	S53209TR2M1	TYPE A 2P PG9 TRANSPARENT NBR PROFILE GASKET	R2	230V	AMBER LED
1210640960	S53209TS0B1	TYPE A 2P PG9 TRANSPARENT NBR PROFILE GASKET	S0	24V	GREEN LED
1210640964	S53209TU021	TYPE A 2P PG9 TRANSPARENT NBR PROFILE GASKET	U0	24V	RED LED & GREEN LED
1210640966	S53209TU051	TYPE A 2P PG9 TRANSPARENT NBR PROFILE GASKET	U0	230V	RED LED & GREEN LED
1210640970	S53211GR021	TYPE A 2P PG11 GRAY NBR PROFILE GASKET	R0	24V	VDR

SEE SHEET 1 EC NO: PGZ015-1079 DRW: DSHEA 2014/12/05 CHK: KSHAMAHAN 2014/12/08 APPR: SUGRIFIN 2014/12/19 DESCRIPTION	QUALITY SYMBOLS ▽=0 ▽=0	GENERAL TOLERANCES (UNLESS SPECIFIED) <table border="1"> <tr> <th></th> <th>mm</th> <th>INCH</th> </tr> <tr> <td>4 PLACES</td> <td>± 0.10</td> <td>± 0.004</td> </tr> <tr> <td>3 PLACES</td> <td>± 0.15</td> <td>± 0.006</td> </tr> <tr> <td>2 PLACES</td> <td>± 0.20</td> <td>± 0.008</td> </tr> <tr> <td>1 PLACE</td> <td>± 0.25</td> <td>± 0.010</td> </tr> </table>		mm	INCH	4 PLACES	± 0.10	± 0.004	3 PLACES	± 0.15	± 0.006	2 PLACES	± 0.20	± 0.008	1 PLACE	± 0.25	± 0.010	DIMENSION STYLE MM ONLY DRAWN BY DSHEA DATE 2011/06/02 CHECKED BY DMAHER DATE 2011/06/08 APPROVED BY EFOLAN DATE 2011/06/22 MATERIAL NO.	SCALE 1.5:1 DESIGN UNITS METRIC THIRD ANGLE PROJECTION	TITLE S53 SERIES INTERNAL THREAD
		mm	INCH																	
	4 PLACES	± 0.10	± 0.004																	
	3 PLACES	± 0.15	± 0.006																	
2 PLACES	± 0.20	± 0.008																		
1 PLACE	± 0.25	± 0.010																		
DRAFT WHERE APPLICABLE MUST REMAIN WITHIN DIMENSIONS		SEE TABLE	MOLEX INCORPORATED DOCUMENT NO. SD-121064-007	SHEET NO. 2 OF 3																
THIS DRAWING CONTAINS INFORMATION THAT IS PROPRIETARY TO MOLEX INCORPORATED AND SHOULD NOT BE USED WITHOUT WRITTEN PERMISSION																				

PART NO	MPM NO	DESCRIPTION	CIRCUIT	VOLTAGE	INDICATOR
1210640971	S53211GR031	TYPE A 2P PG11 GRAY NBR PROFILE GASKET	R0	48V	VDR
1210640972	S53211GR041	TYPE A 2P PG11 GRAY NBR PROFILE GASKET	R0	115V	VDR
1210640973	S53211GR051	TYPE A 2P PG11 GRAY NBR PROFILE GASKET	R0	230V	VDR
1210640975	S53211NR021	TYPE A 2P PG11 BLACK NBR PROFILE GASKET	R0	24V	VDR
1210640977	S53211NR031	TYPE A 2P PG11 BLACK NBR PROFILE GASKET	R0	48V	VDR
1210640978	S53211NR041	TYPE A 2P PG11 BLACK NBR PROFILE GASKET	R0	115V	VDR
1210640979	S53211NR051	TYPE A 2P PG11 BLACK NBR PROFILE GASKET	R0	230V	VDR
1210640980	S53211NR052	TYPE A 2P PG11 BLACK NBR FLAT GASKET	R0	230V	VDR
1210640996	S53211TC321	TYPE A 2P PG11 TRANSPARENT NBR PROFILE GASKET	C3	24V	RED LED
1210641001	S53211TC421	TYPE A 2P PG11 TRANSPARENT NBR PROFILE GASKET	C4	24V	RED LED
1210641003	S53211TC441	TYPE A 2P PG11 TRANSPARENT NBR PROFILE GASKET	C4	115V	RED LED
1210641004	S53211TC451	TYPE A 2P PG11 TRANSPARENT NBR PROFILE GASKET	C4	230V	RED LED
1210641005	S53211TC4B1	TYPE A 2P PG11 TRANSPARENT NBR PROFILE GASKET	C4	24V	GREEN LED
1210641006	S53211TC4E1	TYPE A 2P PG11 TRANSPARENT NBR PROFILE GASKET	C4	230V	GREEN LED
1210641007	S53211TC4H1	TYPE A 2P PG11 TRANSPARENT NBR PROFILE GASKET	C4	24V	AMBER LED
1210641008	S53211TC4L1	TYPE A 2P PG11 TRANSPARENT NBR PROFILE GASKET	C4	115V	AMBER LED
1210641014	S53211TR221	TYPE A 2P PG11 TRANSPARENT NBR PROFILE GASKET	R2	24V	RED LED
1210641015	S53211TR222	TYPE A 2P PG11 TRANSPARENT NBR FLAT GASKET	R2	24V	RED LED
1210641016	S53211TR241	TYPE A 2P PG11 TRANSPARENT NBR PROFILE GASKET	R2	115V	RED LED
1210641017	S53211TR251	TYPE A 2P PG11 TRANSPARENT NBR PROFILE GASKET	R2	230V	RED LED
1210641018	S53211TR2E1	TYPE A 2P PG11 TRANSPARENT NBR PROFILE GASKET	R2	230V	GREEN LED
1210641023	S53211TS0B1	TYPE A 2P PG11 TRANSPARENT NBR PROFILE GASKET	S0	24V	GREEN LED
1210641274	S53211TC4D1	TYPE A 2P PG11 TRANSPARENT NBR PROFILE GASKET	C4	115V	GREEN LED
1210641350	S53209TS0H1	TYPE A 2P PG9 TRANSPARENT NBR PROFILE GASKET	S0	24V	AMBER LED
1210641372	S53209NRA51	TYPE A 2P PG9 BLACK NBR PROFILE GASKET	RA	230V	RED LED
1210641390	S53211TA1H1	TYPE A 2P PG11 TRANSPARENT NBR PROFILE GASKET	A1	24V	AMBER LED
1210641422	S532M6TC421	TYPE A 2P M16x1.5 TRANSPARENT NBR PROFILE GASKET	C4	24V	RED LED
1210641424	S53211TC422	TYPE A 2P PG11 TRANSPARENT NBR FLAT GASKET	C4	24V	RED LED
1210641425	S53209NR061	TYPE A 2P PG9 BLACK NBR PROFILE GASKET	R0	275V	VDR
1210641452	S532M6TS021	TYPE A 2P M16x1.5 TRANSPARENT NBR PROFILE GASKET	S0	24V	RED LED
1210641521	S532M6TC4H1	TYPE A 2P M16x1.5 TRANSPARENT NBR PROFILE GASKET	C4	24V	AMBER LED
1210641542	S532M6NR051	TYPE A 2P M16x1.5 BLACK NBR PROFILE GASKET	R0	230V	VDR
1210641609	S53209TC322	TYPE A 2P PG9 TRANSPARENT NBR FLAT GASKET	C3	24V	RED LED
1210641615	S53209GRA51	TYPE A 2P PG9 GRAY NBR PROFILE GASKET	RA	230V	RED LED
1210641623	S532M6NE151	TYPE A 2P M16x1.5 BLACK NBR PROFILE GASKET	E1	230V	DIODE
1210641630	S53209TC422	TYPE A 2P PG9 TRANSPARENT NBR FLAT GASKET	C4	24V	RED LED
1210641685	S53211TS0H1	TYPE A 2P PG11 TRANSPARENT NBR PROFILE GASKET	S0	24V	AMBER LED
1210641688	S53211TR2B1	TYPE A 2P PG11 TRANSPARENT NBR PROFILE GASKET	R2	24V	GREEN LED
1210641698	S532M6NR021	TYPE A 2P M16x1.5 BLACK NBR PROFILE GASKET	R0	24V	VDR
1210641705	S53211TC421AF	TYPE A 2P PG11 TRANSPARENT NBR PROFILE GASKET WITH SCREW MOUNTED	C4	24V	RED LED
1210641725	S53209TR2C1	TYPE A 2P PG9 TRANSPARENT NBR PROFILE GASKET	R2	48V	GREEN LED
1210641734	S53209TR221AF	TYPE A 2P PG9 TRANSPARENT NBR PROFILE GASKET WITH SCREW MOUNTED	R2	24V	RED LED
1210641739	S53209TA1A1	TYPE A 2P PG9 TRANSPARENT NBR PROFILE GASKET	A1	12V	GREEN LED
1210641740	S53209TA1H1	TYPE A 2P PG9 TRANSPARENT NBR PROFILE GASKET	A1	12V	RED LED
1210641754	S532M6NR061	TYPE A 2P M16x1.5 BLACK NBR PROFILE GASKET	R0	275V	VDR
1210650593	S53209NR051AF	TYPE A 2P PG9 BLACK NBR PROFILE GASKET WITH SCREW MOUNTED	R0	230V	VDR
1210641788	S532M6TC321	TYPE A 2P M16x1.5 TRANSPARENT NBR PROFILE GASKET	C3	24V	RED LED
1210641798	S53209NR05T14	TYPE A 2P PG9 BLACK NBR PROFILE GASKET, IP67 SCREW	R0	230V	VDR
1210641800	S53211WR051SA	TYPE A 2P PG11 BLACK V0 NBR PROFILE GASKET UL LISTED	R0	230V	VDR
1210641813	S53211WE151SA	TYPE A 2P PG11 BLACK V0 NBR PROFILE GASKET UL LISTED	E1	230V	DIODE
1210641816	S53209NR02T14	TYPE A 2P PG9 BLACK NBR PROFILE GASKET, IP67 SCREW	R0	24V	VDR

SEE SHEET 1 EC NO: IPGZ015-1079 DRAWN: DSHEA 2014/12/05 CHKD: MSAMAHAN 2014/12/08 APPR: STIGREFFIN 2014/12/19 REV:	QUALITY SYMBOLS 	GENERAL TOLERANCES (UNLESS SPECIFIED) <table border="1"> <tr> <th></th> <th>mm</th> <th>INCH</th> </tr> <tr> <td>4 PLACES</td> <td>± .005</td> <td>± .0004</td> </tr> <tr> <td>3 PLACES</td> <td>± .004</td> <td>± .0003</td> </tr> <tr> <td>2 PLACES</td> <td>± 0.10</td> <td>± .004</td> </tr> <tr> <td>1 PLACE</td> <td>± 0.20</td> <td>± .008</td> </tr> <tr> <td>0 PLACE</td> <td>± .005</td> <td>± .0004</td> </tr> </table>		mm	INCH	4 PLACES	± .005	± .0004	3 PLACES	± .004	± .0003	2 PLACES	± 0.10	± .004	1 PLACE	± 0.20	± .008	0 PLACE	± .005	± .0004	DIMENSION STYLE MM ONLY DRAWN BY: DSHEA DATE: 2011/06/02 CHECKED BY: DMAHER DATE: 2011/06/08 APPROVED BY: EFOLAN DATE: 2011/06/22	SCALE 1.5:1 DESIGN UNITS METRIC THIRD ANGLE PROJECTION	TITLE S53 SERIES INTERNAL THREAD
		mm	INCH																				
	4 PLACES	± .005	± .0004																				
	3 PLACES	± .004	± .0003																				
2 PLACES	± 0.10	± .004																					
1 PLACE	± 0.20	± .008																					
0 PLACE	± .005	± .0004																					
ANGULAR ± 2 ° DRAFT WHERE APPLICABLE MUST REMAIN WITHIN DIMENSIONS		MATERIAL NO. SEE TABLE	DOCUMENT NO. SD-121064-007																				
		SIZE A 2	THIS DRAWING CONTAINS INFORMATION THAT IS PROPRIETARY TO MOLEX INCORPORATED AND SHOULD NOT BE USED WITHOUT WRITTEN PERMISSION																				
		SHEET NO. 3 OF 3																					



ITEM	DESCRIPTION
1	SCREW
2	COVER ASSEMBLY
3	INSERT ASSEMBLY
4	GASKET

S53209NE051**

SERIES _____
 S53= INTERNAL THREAD FORM A
 POLES _____
 2= 2 POLE
 THREAD _____
 09= PG9, 11= PG11, M6= M16x1.5
 MATERIAL AND HOUSING COLOUR _____
 G= PA6 GRAY, N= PA6 BLACK, T= TRANSPARENT W= BLACK UL94-V0
 CIRCUIT _____
 SEE DETAILS IN CATALOGUE
 VOLTAGE _____
 SEE DETAILS IN CATALOGUE
 SCREW AND GASKET _____
 1= NBR PROFILE GASKET & SCREW
 2= NBR FLAT GASKET & SCREW
 T= NBR PROFILE GASKET & IP67 SCREW
 NON STANDARD COMPONENTS _____
 AF= WITH CENTRE SCREW MOUNTED
 14= SINGLE BAGGED
 SA= UL LISTED

NOTES

- PLEASE SEE SHEET 2 FOR CURRENTLY CONFIGURED PART NUMBERS. FOR SPECIFIC PART NUMBERS PLEASE CONTACT SALES OR CONSULT THE INTELLIGENT PART NUMBERS IN THE TABLE ATTACHED.
- EARTH POSITION SHOWN, H12
- FOR PACKAGING SEE PACKAGING SPEC PK-121065-S53
- PRODUCT SPEC: SEE PS-121201-001
- PART SHOWN FOR ILLUSTRATION PURPOSES ONLY

LAST INSPECTION NUMBER 2

ADDED P/N EC NO: IPG2015-4079 DRWN:DSHEA 2014/12/05 CHKD:SHAMHAN 2014/12/08 APPR:STIGLFEIN 2014/12/19	QUALITY SYMBOLS ▽=0 ▽=0	GENERAL TOLERANCES (UNLESS SPECIFIED)		DIMENSION STYLE MM ONLY	SCALE 1.5:1	DESIGN UNITS METRIC	THIRD ANGLE PROJECTION	
		4 PLACES ± --- ± ---	mm INCH	DRAWN BY DSHEA	DATE 2011/06/02	TITLE S53 SERIES INTERNAL THREAD		
		3 PLACES ± --- ± ---		CHECKED BY DMAHER	DATE 2011/06/08	MOLEX INCORPORATED		
		2 PLACES ± 0.10 ± --- 1 PLACE ± 0.20 ± --- ANGULAR ± 2 °		APPROVED BY EFOLAN	DATE 2011/06/22	MATERIAL NO. SEE SHEET 2	DOCUMENT NO. SD-121064-007	SHEET NO. 1 OF 3
DRAFT WHERE APPLICABLE MUST REMAIN WITHIN DIMENSIONS		THIS DRAWING CONTAINS INFORMATION THAT IS PROPRIETARY TO MOLEX INCORPORATED AND SHOULD NOT BE USED WITHOUT WRITTEN PERMISSION						

PART NO	MPM NO	DESCRIPTION	CIRCUIT	VOLTAGE	INDICATOR
1210640889	S53209GR021	TYPE A 2P PG9 GRAY NBR PROFILE GASKET	R0	24V	VDR
1210640890	S53209GR041	TYPE A 2P PG9 GRAY NBR PROFILE GASKET	R0	115V	VDR
1210640891	S53209GR051	TYPE A 2P PG9 GRAY NBR PROFILE GASKET	R0	230V	VDR
1210640893	S53209NE051	TYPE A 2P PG9 BLACK NBR PROFILE GASKET	E0	230V	DIODE
1210640894	S53209NE151	TYPE A 2P PG9 BLACK NBR PROFILE GASKET	E1	230V	DIODE
1210640896	S53209NR021	TYPE A 2P PG9 BLACK NBR PROFILE GASKET	R0	24V	VDR
1210640898	S53209NR031	TYPE A 2P PG9 BLACK NBR PROFILE GASKET	R0	48V	VDR
1210640899	S53209NR041	TYPE A 2P PG9 BLACK NBR PROFILE GASKET	R0	115V	VDR
1210640900	S53209NR051	TYPE A 2P PG9 BLACK NBR PROFILE GASKET	R0	230V	VDR
1210640901	S53209NR052	TYPE A 2P PG9 BLACK NBR FLAT GASKET	R0	230V	VDR
1210640904	S53209TA021	TYPE A 2P PG9 TRANSPARENT NBR PROFILE GASKET	A0	24V	LAMP
1210640907	S53209TA121	TYPE A 2P PG9 TRANSPARENT NBR PROFILE GASKET	A1	24V	RED LED
1210640908	S53209TA131	TYPE A 2P PG9 TRANSPARENT NBR PROFILE GASKET	A1	48V	RED LED
1210640909	S53209TA141	TYPE A 2P PG9 TRANSPARENT NBR PROFILE GASKET	A1	115V	RED LED
1210640910	S53209TA151	TYPE A 2P PG9 TRANSPARENT NBR PROFILE GASKET	A1	230V	RED LED
1210640917	S53209TC311	TYPE A 2P PG9 TRANSPARENT NBR PROFILE GASKET	C3	12V	RED LED
1210640918	S53209TC321	TYPE A 2P PG9 TRANSPARENT NBR PROFILE GASKET	C3	24V	RED LED
1210640920	S53209TC351	TYPE A 2P PG9 TRANSPARENT NBR PROFILE GASKET	C3	230V	RED LED
1210640921	S53209TC3B1	TYPE A 2P PG9 TRANSPARENT NBR PROFILE GASKET	C3	24V	GREEN LED
1210640922	S53209TC3H1	TYPE A 2P PG9 TRANSPARENT NBR PROFILE GASKET	C3	24V	AMBER LED
1210640923	S53209TC411	TYPE A 2P PG9 TRANSPARENT NBR PROFILE GASKET	C4	12V	RED LED
1210640924	S53209TC421	TYPE A 2P PG9 TRANSPARENT NBR PROFILE GASKET	C4	24V	RED LED
1210640926	S53209TC441	TYPE A 2P PG9 TRANSPARENT NBR PROFILE GASKET	C4	115V	RED LED
1210640927	S53209TC451	TYPE A 2P PG9 TRANSPARENT NBR PROFILE GASKET	C4	230V	RED LED
1210640928	S53209TC4B1	TYPE A 2P PG9 TRANSPARENT NBR PROFILE GASKET	C4	24V	GREEN LED
1210640930	S53209TC4D1	TYPE A 2P PG9 TRANSPARENT NBR PROFILE GASKET	C4	115V	GREEN LED
1210640932	S53209TC4E1	TYPE A 2P PG9 TRANSPARENT NBR PROFILE GASKET	C4	230V	GREEN LED
1210640934	S53209TC4H1	TYPE A 2P PG9 TRANSPARENT NBR PROFILE GASKET	C4	24V	AMBER LED
1210640936	S53209TC4L1	TYPE A 2P PG9 TRANSPARENT NBR PROFILE GASKET	C4	115V	AMBER LED
1210640937	S53209TC4M1	TYPE A 2P PG9 TRANSPARENT NBR PROFILE GASKET	C4	230V	AMBER LED
1210640939	S53209TG221	TYPE A 2P PG9 TRANSPARENT NBR PROFILE GASKET	G2	24V	RED LED
1210640941	S53209TG251	TYPE A 2P PG9 TRANSPARENT NBR PROFILE GASKET	G2	230V	RED LED
1210640944	S53209TR211	TYPE A 2P PG9 TRANSPARENT NBR PROFILE GASKET	R2	12V	RED LED
1210640945	S53209TR221	TYPE A 2P PG9 TRANSPARENT NBR PROFILE GASKET	R2	24V	RED LED
1210640946	S53209TR222	TYPE A 2P PG9 TRANSPARENT NBR FLAT GASKET	R2	24V	RED LED
1210640948	S53209TR241	TYPE A 2P PG9 TRANSPARENT NBR PROFILE GASKET	R2	115V	RED LED
1210640949	S53209TR251	TYPE A 2P PG9 TRANSPARENT NBR PROFILE GASKET	R2	230V	RED LED
1210640950	S53209TR252	TYPE A 2P PG9 TRANSPARENT NBR FLAT GASKET	R2	230V	RED LED
1210640953	S53209TR2H1	TYPE A 2P PG9 TRANSPARENT NBR PROFILE GASKET	R2	24V	AMBER LED
1210640954	S53209TR2L1	TYPE A 2P PG9 TRANSPARENT NBR PROFILE GASKET	R2	115V	AMBER LED
1210640955	S53209TR2M1	TYPE A 2P PG9 TRANSPARENT NBR PROFILE GASKET	R2	230V	AMBER LED
1210640960	S53209TS0B1	TYPE A 2P PG9 TRANSPARENT NBR PROFILE GASKET	S0	24V	GREEN LED
1210640964	S53209TU021	TYPE A 2P PG9 TRANSPARENT NBR PROFILE GASKET	U0	24V	RED LED & GREEN LED
1210640966	S53209TU051	TYPE A 2P PG9 TRANSPARENT NBR PROFILE GASKET	U0	230V	RED LED & GREEN LED
1210640970	S53211GR021	TYPE A 2P PG11 GRAY NBR PROFILE GASKET	R0	24V	VDR

SEE SHEET 1 EC NO: PGZ015-1079 DRW: DSHEA 2014/12/05 CHK: KSHAMAHAN 2014/12/08 APPR: SUGRIFIN 2014/12/19	QUALITY SYMBOLS	GENERAL TOLERANCES (UNLESS SPECIFIED)	DIMENSION STYLE	SCALE	DESIGN UNITS	THIRD ANGLE PROJECTION															
	$\nabla=0$ $\nabla=0$	<table border="1"> <tr><th colspan="2">mm</th><th>INCH</th></tr> <tr><td>4 PLACES</td><td>± ---</td><td>± ---</td></tr> <tr><td>3 PLACES</td><td>± ---</td><td>± ---</td></tr> <tr><td>2 PLACES</td><td>± 0.10</td><td>± ---</td></tr> <tr><td>1 PLACE</td><td>± 0.20</td><td>± ---</td></tr> </table>	mm		INCH	4 PLACES	± ---	± ---	3 PLACES	± ---	± ---	2 PLACES	± 0.10	± ---	1 PLACE	± 0.20	± ---	MM ONLY	1.5:1	METRIC	
	mm		INCH																		
	4 PLACES	± ---	± ---																		
3 PLACES	± ---	± ---																			
2 PLACES	± 0.10	± ---																			
1 PLACE	± 0.20	± ---																			
DESCRIPTION	DRAWN BY	DATE	TITLE	S53 SERIES INTERNAL THREAD																	
	DSHEA	2011/06/02																			
	CHECKED BY	DATE		MOLEX INCORPORATED																	
	MAHER	2011/06/08																			
	APPROVED BY	DATE		DOCUMENT NO. SD-121064-007																	
	EFOLAN	2011/06/22																			
	MATERIAL NO.			SHEET NO. 2 OF 3																	
	SEE TABLE																				
	DRAFT WHERE APPLICABLE MUST REMAIN WITHIN DIMENSIONS	THIS DRAWING CONTAINS INFORMATION THAT IS PROPRIETARY TO MOLEX INCORPORATED AND SHOULD NOT BE USED WITHOUT WRITTEN PERMISSION																			

PART NO	MPM NO	DESCRIPTION	CIRCUIT	VOLTAGE	INDICATOR
1210640971	S53211GR031	TYPE A 2P PG11 GRAY NBR PROFILE GASKET	R0	48V	VDR
1210640972	S53211GR041	TYPE A 2P PG11 GRAY NBR PROFILE GASKET	R0	115V	VDR
1210640973	S53211GR051	TYPE A 2P PG11 GRAY NBR PROFILE GASKET	R0	230V	VDR
1210640975	S53211NR021	TYPE A 2P PG11 BLACK NBR PROFILE GASKET	R0	24V	VDR
1210640977	S53211NR031	TYPE A 2P PG11 BLACK NBR PROFILE GASKET	R0	48V	VDR
1210640978	S53211NR041	TYPE A 2P PG11 BLACK NBR PROFILE GASKET	R0	115V	VDR
1210640979	S53211NR051	TYPE A 2P PG11 BLACK NBR PROFILE GASKET	R0	230V	VDR
1210640980	S53211NR052	TYPE A 2P PG11 BLACK NBR FLAT GASKET	R0	230V	VDR
1210640996	S53211TC321	TYPE A 2P PG11 TRANSPARENT NBR PROFILE GASKET	C3	24V	RED LED
1210641001	S53211TC421	TYPE A 2P PG11 TRANSPARENT NBR PROFILE GASKET	C4	24V	RED LED
1210641003	S53211TC441	TYPE A 2P PG11 TRANSPARENT NBR PROFILE GASKET	C4	115V	RED LED
1210641004	S53211TC451	TYPE A 2P PG11 TRANSPARENT NBR PROFILE GASKET	C4	230V	RED LED
1210641005	S53211TC4B1	TYPE A 2P PG11 TRANSPARENT NBR PROFILE GASKET	C4	24V	GREEN LED
1210641006	S53211TC4E1	TYPE A 2P PG11 TRANSPARENT NBR PROFILE GASKET	C4	230V	GREEN LED
1210641007	S53211TC4H1	TYPE A 2P PG11 TRANSPARENT NBR PROFILE GASKET	C4	24V	AMBER LED
1210641008	S53211TC4L1	TYPE A 2P PG11 TRANSPARENT NBR PROFILE GASKET	C4	115V	AMBER LED
1210641014	S53211TR221	TYPE A 2P PG11 TRANSPARENT NBR PROFILE GASKET	R2	24V	RED LED
1210641015	S53211TR222	TYPE A 2P PG11 TRANSPARENT NBR FLAT GASKET	R2	24V	RED LED
1210641016	S53211TR241	TYPE A 2P PG11 TRANSPARENT NBR PROFILE GASKET	R2	115V	RED LED
1210641017	S53211TR251	TYPE A 2P PG11 TRANSPARENT NBR PROFILE GASKET	R2	230V	RED LED
1210641018	S53211TR2E1	TYPE A 2P PG11 TRANSPARENT NBR PROFILE GASKET	R2	230V	GREEN LED
1210641023	S53211TS0B1	TYPE A 2P PG11 TRANSPARENT NBR PROFILE GASKET	S0	24V	GREEN LED
1210641274	S53211TC4D1	TYPE A 2P PG11 TRANSPARENT NBR PROFILE GASKET	C4	115V	GREEN LED
1210641350	S53209TS0H1	TYPE A 2P PG9 TRANSPARENT NBR PROFILE GASKET	S0	24V	AMBER LED
1210641372	S53209NRA51	TYPE A 2P PG9 BLACK NBR PROFILE GASKET	RA	230V	RED LED
1210641390	S53211TA1H1	TYPE A 2P PG11 TRANSPARENT NBR PROFILE GASKET	A1	24V	AMBER LED
1210641422	S532M6TC421	TYPE A 2P M16x1.5 TRANSPARENT NBR PROFILE GASKET	C4	24V	RED LED
1210641424	S53211TC422	TYPE A 2P PG11 TRANSPARENT NBR FLAT GASKET	C4	24V	RED LED
1210641425	S53209NR061	TYPE A 2P PG9 BLACK NBR PROFILE GASKET	R0	275V	VDR
1210641452	S532M6TS021	TYPE A 2P M16x1.5 TRANSPARENT NBR PROFILE GASKET	S0	24V	RED LED
1210641521	S532M6TC4H1	TYPE A 2P M16x1.5 TRANSPARENT NBR PROFILE GASKET	C4	24V	AMBER LED
1210641542	S532M6NR051	TYPE A 2P M16x1.5 BLACK NBR PROFILE GASKET	R0	230V	VDR
1210641609	S53209TC322	TYPE A 2P PG9 TRANSPARENT NBR FLAT GASKET	C3	24V	RED LED
1210641615	S53209GRA51	TYPE A 2P PG9 GRAY NBR PROFILE GASKET	RA	230V	RED LED
1210641623	S532M6NE151	TYPE A 2P M16x1.5 BLACK NBR PROFILE GASKET	E1	230V	DIODE
1210641630	S53209TC422	TYPE A 2P PG9 TRANSPARENT NBR FLAT GASKET	C4	24V	RED LED
1210641685	S53211TS0H1	TYPE A 2P PG11 TRANSPARENT NBR PROFILE GASKET	S0	24V	AMBER LED
1210641688	S53211TR2B1	TYPE A 2P PG11 TRANSPARENT NBR PROFILE GASKET	R2	24V	GREEN LED
1210641698	S532M6NR021	TYPE A 2P M16x1.5 BLACK NBR PROFILE GASKET	R0	24V	VDR
1210641705	S53211TC421AF	TYPE A 2P PG11 TRANSPARENT NBR PROFILE GASKET WITH SCREW MOUNTED	C4	24V	RED LED
1210641725	S53209TR2C1	TYPE A 2P PG9 TRANSPARENT NBR PROFILE GASKET	R2	48V	GREEN LED
1210641734	S53209TR221AF	TYPE A 2P PG9 TRANSPARENT NBR PROFILE GASKET WITH SCREW MOUNTED	R2	24V	RED LED
1210641739	S53209TA1A1	TYPE A 2P PG9 TRANSPARENT NBR PROFILE GASKET	A1	12V	GREEN LED
1210641740	S53209TA1H1	TYPE A 2P PG9 TRANSPARENT NBR PROFILE GASKET	A1	12V	RED LED
1210641754	S532M6NR061	TYPE A 2P M16x1.5 BLACK NBR PROFILE GASKET	R0	275V	VDR
1210650593	S53209NR051AF	TYPE A 2P PG9 BLACK NBR PROFILE GASKET WITH SCREW MOUNTED	R0	230V	VDR
1210641788	S532M6TC321	TYPE A 2P M16x1.5 TRANSPARENT NBR PROFILE GASKET	C3	24V	RED LED
1210641798	S53209NR05T14	TYPE A 2P PG9 BLACK NBR PROFILE GASKET, IP67 SCREW	R0	230V	VDR
1210641800	S53211WR051SA	TYPE A 2P PG11 BLACK V0 NBR PROFILE GASKET UL LISTED	R0	230V	VDR
1210641813	S53211WE151SA	TYPE A 2P PG11 BLACK V0 NBR PROFILE GASKET UL LISTED	E1	230V	DIODE
1210641816	S53209NR02T14	TYPE A 2P PG9 BLACK NBR PROFILE GASKET, IP67 SCREW	R0	24V	VDR

SEE SHEET 1 EC NO: IPGZ015-1079 DRAWN: DSHEA 2014/12/05 CHKD: MSAMAHAN 2014/12/08 APPR: STIGREFFIN 2014/12/19 REV:	QUALITY SYMBOLS 	GENERAL TOLERANCES (UNLESS SPECIFIED) <table border="1"> <tr><th colspan="2">mm</th><th>INCH</th></tr> <tr><td>4 PLACES</td><td>± .005</td><td>± .0004</td></tr> <tr><td>3 PLACES</td><td>± .008</td><td>± .0003</td></tr> <tr><td>2 PLACES</td><td>± 0.10</td><td>± .004</td></tr> <tr><td>1 PLACE</td><td>± 0.20</td><td>± .008</td></tr> <tr><td>0 PLACE</td><td>± .005</td><td>± .0004</td></tr> </table>	mm		INCH	4 PLACES	± .005	± .0004	3 PLACES	± .008	± .0003	2 PLACES	± 0.10	± .004	1 PLACE	± 0.20	± .008	0 PLACE	± .005	± .0004	DIMENSION STYLE MM ONLY DRAWN BY: DSHEA DATE: 2011/06/02 CHECKED BY: DMAHER DATE: 2011/06/08 APPROVED BY: EFOLAN DATE: 2011/06/22	SCALE 1.5:1 DESIGN UNITS METRIC 	TITLE S53 SERIES INTERNAL THREAD
	mm		INCH																				
	4 PLACES	± .005	± .0004																				
	3 PLACES	± .008	± .0003																				
2 PLACES	± 0.10	± .004																					
1 PLACE	± 0.20	± .008																					
0 PLACE	± .005	± .0004																					
ANGULAR ± 2 ° DRAFT WHERE APPLICABLE MUST REMAIN WITHIN DIMENSIONS		MATERIAL NO. SEE TABLE	DOCUMENT NO. SD-121064-007	SHEET NO. 3 OF 3																			
THIS DRAWING CONTAINS INFORMATION THAT IS PROPRIETARY TO MOLEX INCORPORATED AND SHOULD NOT BE USED WITHOUT WRITTEN PERMISSION																							
SIZE A 2																							