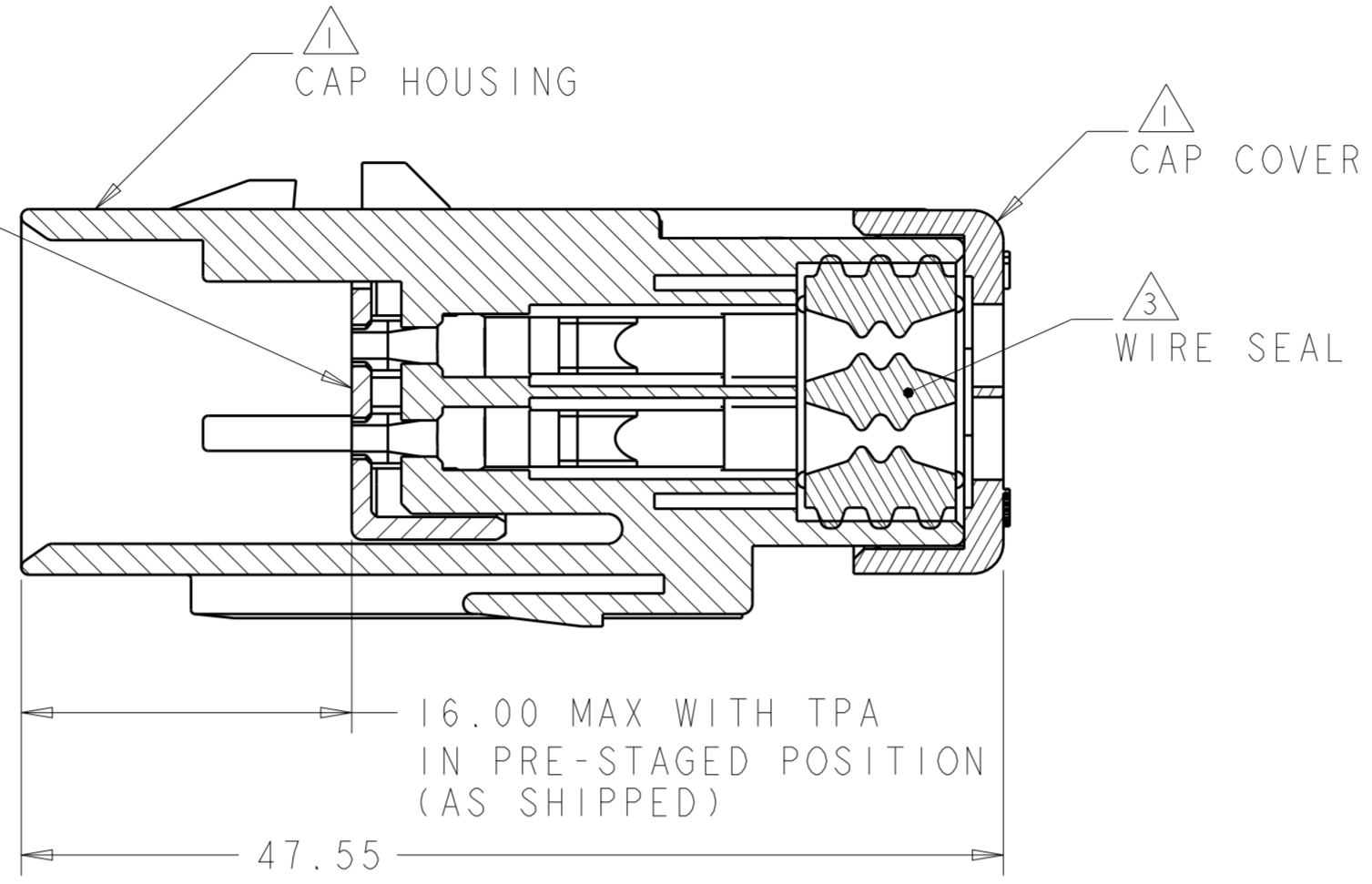
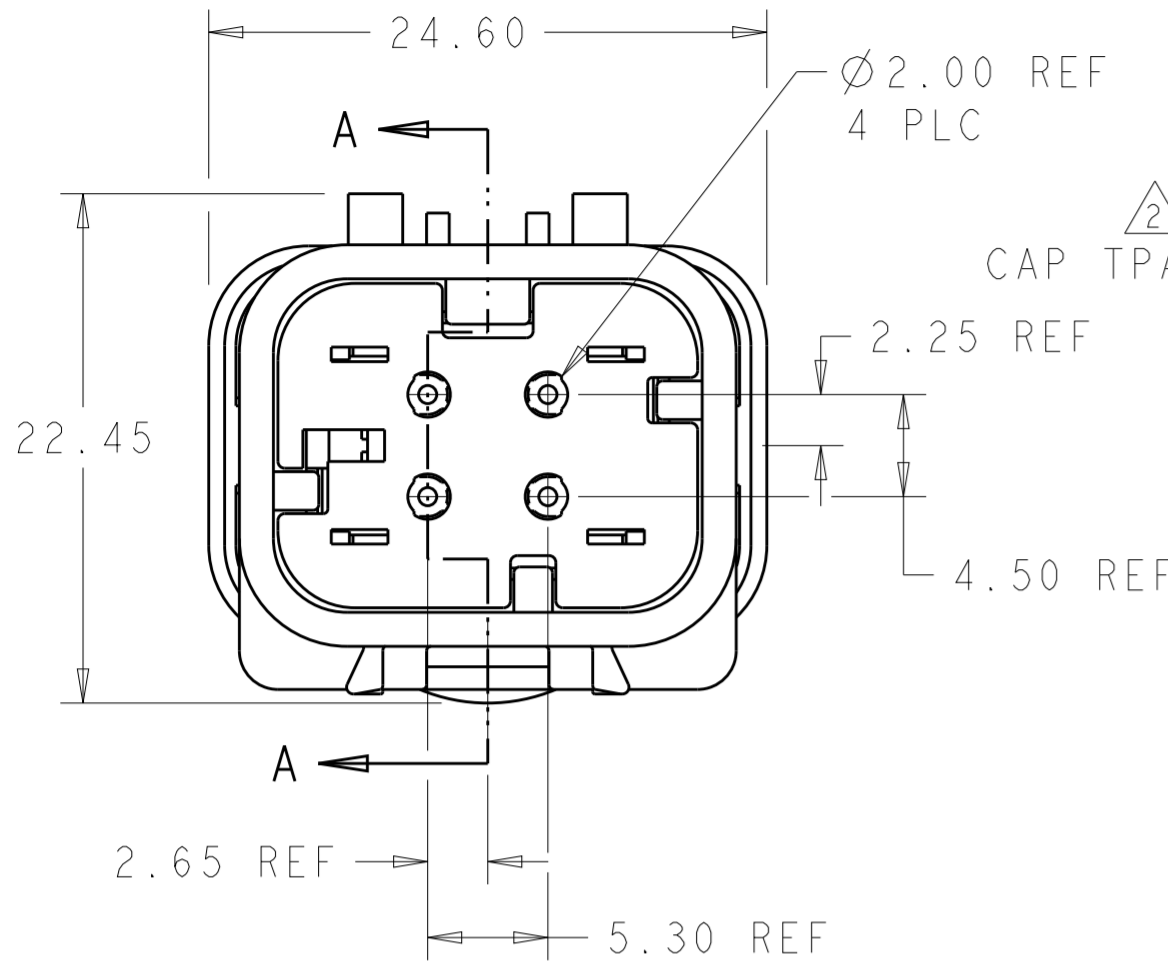


THIS DRAWING IS UNPUBLISHED  
 RELEASED FOR PUBLICATION  
 20  
 COPYRIGHT 20 BY - ALL RIGHTS RESERVED.

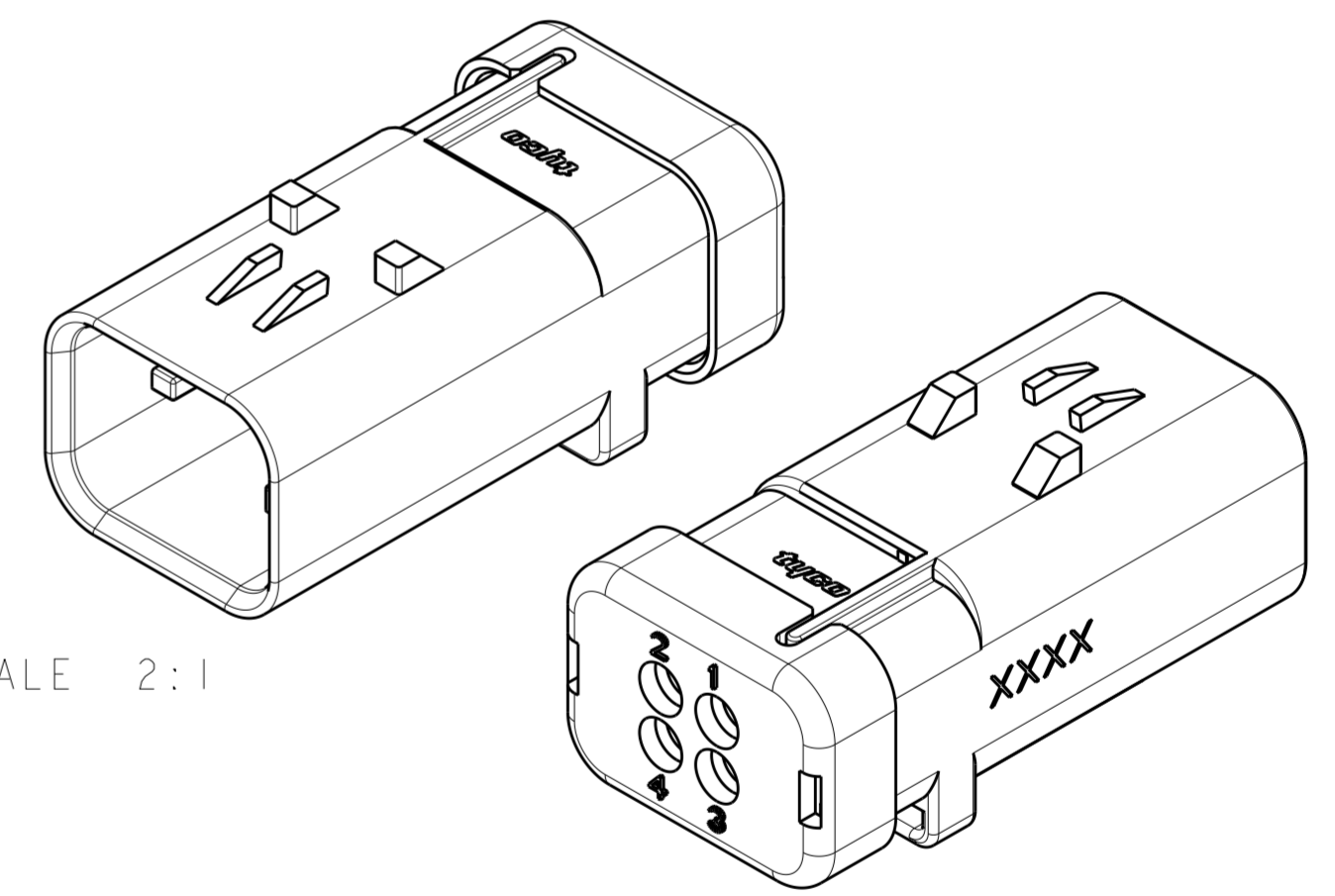
REVISIONS					
P	LTR	DESCRIPTION	DATE	DWN	APVD
A		RELEASED PER ECO-09-026562	30NOV2009	DD	RB
B		REVISED PER ECO-13-019865	27DEC2013	DR	RB



- ① HOUSING AND COVER MATERIAL: 25% GLASS FILLED THERMOPLASTIC; COLOR: NATURAL
- ② TPA MATERIAL: 20% GLASS FILLED THERMOPLASTIC, COLOR: (SEE TABLE)
- ③ WIRE SEAL MATERIAL: SILICONE COLOR: RUST
- 4. RECOMMENDED WIRE DIAMETER RANGE IS 1.30 TO 2.54 mm

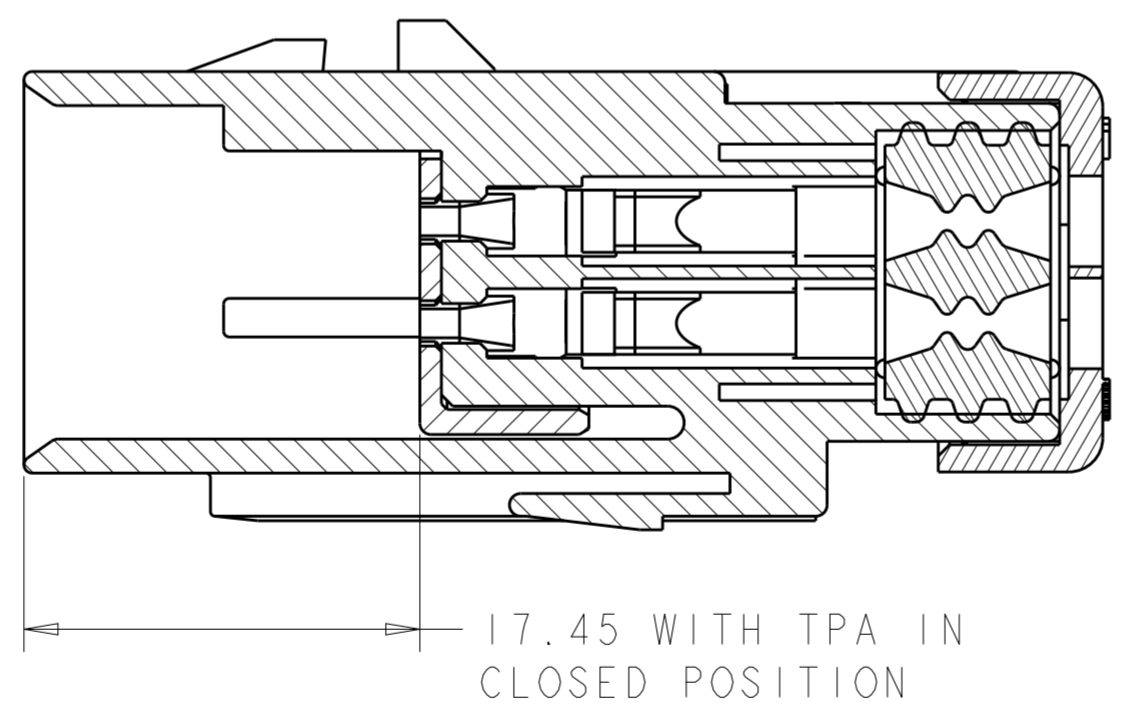
2035381-1 SHOWN  
 ORANGE TPA  
 KEY A

SECTION A-A  
 OPEN POSITION

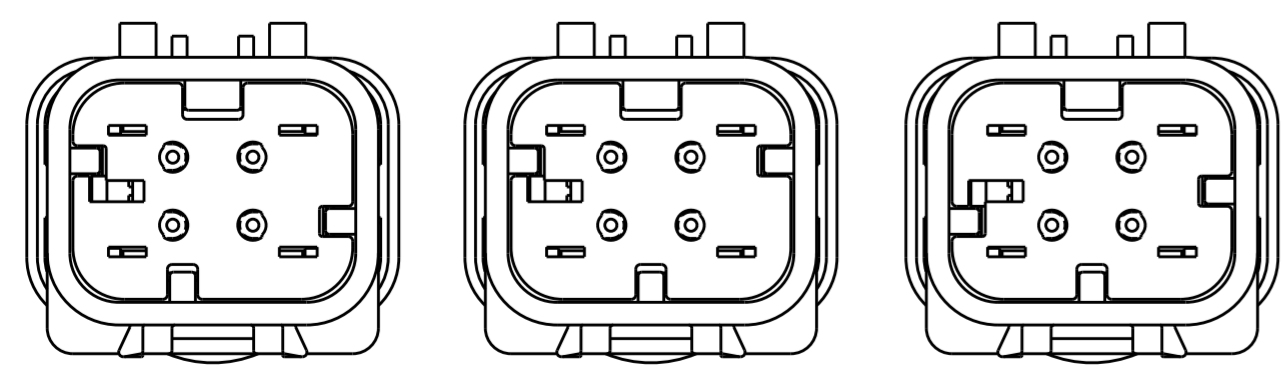


SCALE 2:1

SCALE 2:1



SECTION A-A  
 CLOSED POSITION



2035381-2  
 PURPLE TPA  
 KEY B  
 SCALE 2:1

2035381-3  
 BLUE TPA  
 KEY C  
 SCALE 2:1

2035381-4  
 TAN TPA  
 KEY D  
 SCALE 2:1

D	TAN	2035381-4
C	BLUE	2035381-3
B	PURPLE	2035381-2
A	ORANGE	2035381-1
KEY	TPA COLOR	PART NUMBER

THIS DRAWING IS A CONTROLLED DOCUMENT.		DWN 14 JUL 2009 RUSTY WORTHINGTON	TE Connectivity
DIMENSIONS: mm		CHK 14 JUL 2009 ROGER BALTER	
TOLERANCES UNLESS OTHERWISE SPECIFIED:		APVD 14 JUL 2009 ROGER BALTER	NAME
0 PLC ±	1 PLC ±0.5	PRODUCT SPEC	CAP ASSEMBLY, 4 POSITION, DUAL ROW, AMPSEAL 16 REDUCED DIA WIRE SEAL, VO MATERIAL
2 PLC ±0.30	3 PLC ±	APPLICATION SPEC	SIZE CAGE CODE DRAWING NO
4 PLC ±	ANGLES ±1°	114-13065	A200779 C-2035381
MATERIAL FINISH		WEIGHT 14±1g	RESTRICTED TO
① ② ③		CUSTOMER DRAWING	SCALE 3:1 SHEET 1 OF 1 REV B