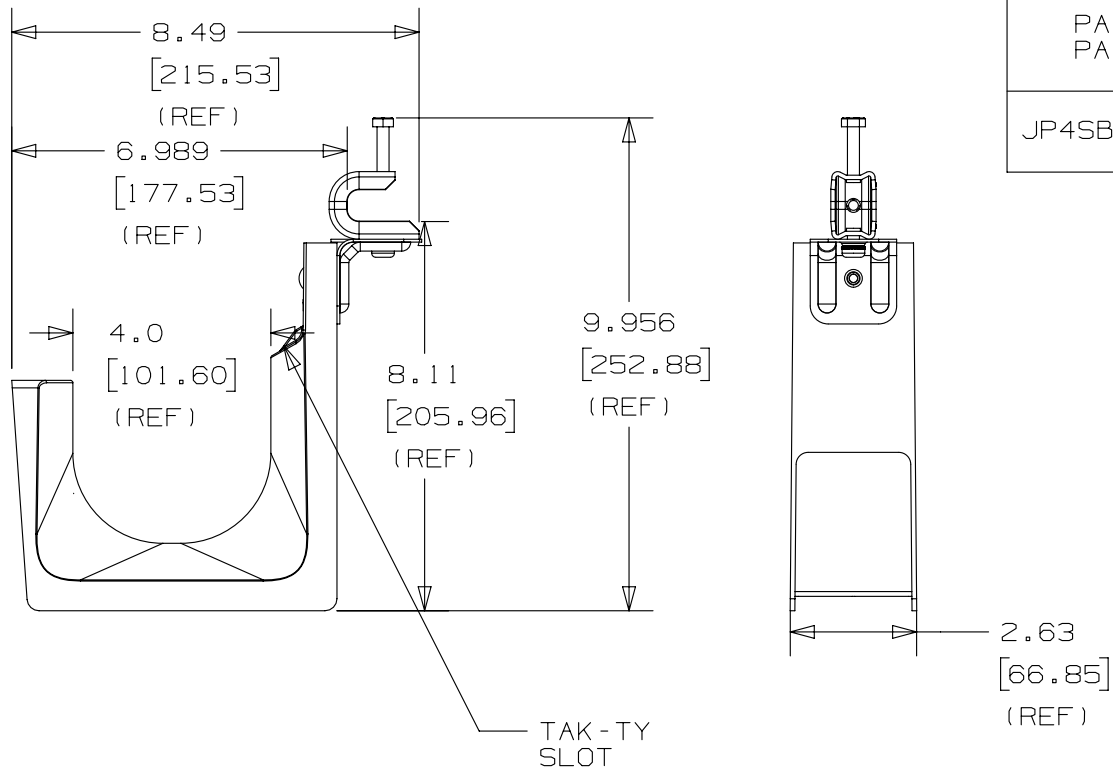
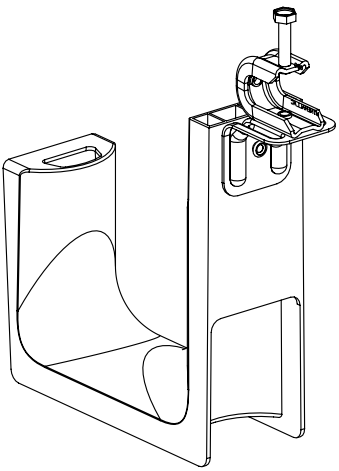


THIS COPY IS PROVIDED ON A RESTRICTED BASIS AND IS NOT TO BE USED IN ANY WAY DETRIMENTAL TO THE INTERESTS OF PANDUIT CORP.



PANDUIT PART NO.	FLANGE THICKNESS	WEIGHT 10pcs lbs (g)
JP4SBC50RB-___	UP TO 0.50 [12.7]	6.36 (2884)



- NOTES:
- SEE CURRENT PRICE SHEET FOR PART NUMBER SUFFIX DESIGNATION FOR PACKAGE SIZE AND PRODUCT COLOR.
 - HOOK MATERIAL: NYLON 6/6
ANGLE BRACKET MATERIAL: PRE-GALVANIZED STEEL
RIVET MATERIAL: ALUMINUM
CLAMP MATERIAL: PLATED STEEL
BOLT/WASHER MATERIAL: ZINC PLATED STEEL
 - PRODUCT IS DESIGNED TO SUPPORT A MAXIMUM OF 4" (19.05) DIAMETER BUNDLE. MAXIMUM RECOMMENDED STATIC LOAD: 50 lbs.
 - PRODUCT INCORPORATES FEATURES ALLOWING USER TO RETAIN CABLE BUNDLES IN J-PRO J-HOOK WITH TAK-TY CABLE TIES UP TO 3/4" WIDE.
 - PRODUCT MARKINGS:
cULus logo and statement:
"SUITABLE FOR USE IN AIR HANDLING SPACES IN ACCORDANCE WITH SECTION 300-22 (C) & (D) OF THE NATIONAL ELECTRIC CODE."
ULC logo and statement:
"IN ACCORDANCE WITH CAN/ULC S-102.2-10 IN SINGLE UNITS, MINIMUM 4 ft (1220mm) MIN. SPACING, FSR=0, SDC=35."

TITLE		J-PRO J-HOOK WITH 360° SCREW-ON BEAM CLAMP (JP4SBC50RB-___)	
ITEM REVISION NAME		CUSTOMER DRAWING	
DATASET FILE NAME		121031AP/00	
UNLESS OTHERWISE SPECIFIED, DIMENSIONAL TOLERANCES ARE: IN (mm)		PANDUIT TM	
.x ± .1 [2.54] .xxx ± .005 [0.127]		MATERIAL:	
.xx ± .01 [0.25] ANGLES ± 5°		SEE NOTE 2	
THIRD ANGLE PROJECTION		DRAWING NUMBER:	
C11015		SHT 1 OF 1	
DRAWN BY	DATE	CHK	SCALE
DBLA	1/25/2013	KLN	NONE
REV	DATE	BY	CHK
OO	1/25/2013	DBLA	GGC
APR		KLN	
DESCRIPTION		ECN	
INITIAL RELEASE		GAECN00419	

D10100DA/12