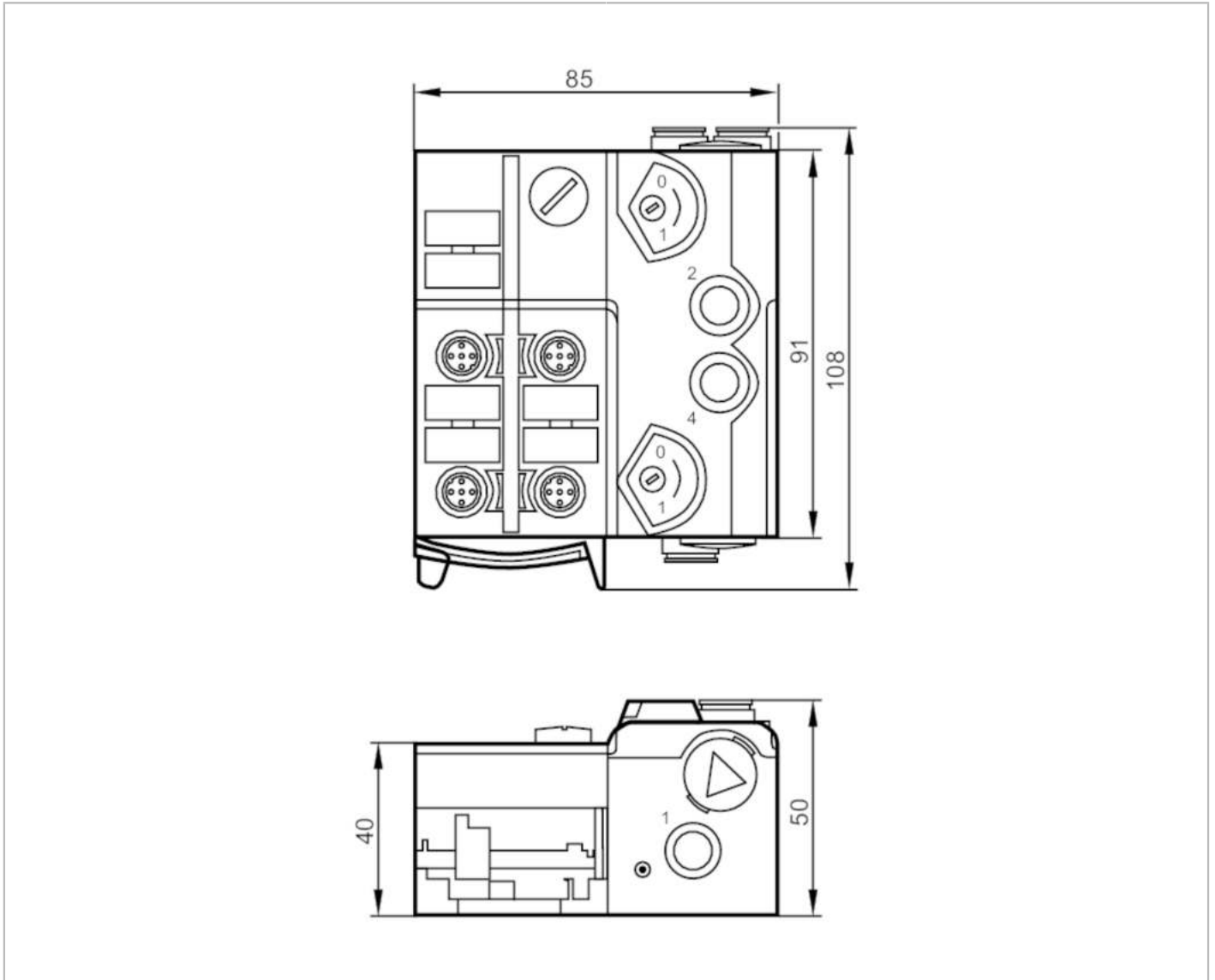


AC5228



AS-Interface Airbox with quick mounting technology

AirBox 2x3/2 4DI-Y IP67



Application	
Application	field installation
Medium temperature	[-10...50] [°C]
Electrical data	
Operating voltage	[26.5...31.6 DC] [V]
Max. current consumption from AS-i	[280] [mA]
Integrated watchdog	yes
Inputs / outputs	
Number of inputs and outputs	Number of digital inputs: 4; Number of pneumatic outputs: 2
Inputs	
Number of digital inputs	4
Input circuit of digital inputs	PNP
Sensor supply of the inputs	AS-i

AC5228



AS-Interface Airbox with quick mounting technology

AirBox 2x3/2 4DI-Y IP67

Power supply	[V]	20...30; (via flat cable)				
Max. total current rating of inputs	[mA]	200				
Input current High	[mA]	6...10				
Input current Low	[mA]	0...2				
Switching level high	[V]	> 11				
Digital inputs protected against short circuits		yes				
Outputs						
Number of pneumatic outputs		2				
Actuator supply outputs		AS-i				
Operating conditions						
Ambient temperature	[°C]	-10...55				
Protection		IP 65; IP 67				
Tests / approvals						
EMC		EN 50295				
		IEC 61000-6-2				
MTTF	[years]	287				
AS-i classification						
AS-i version		2.11; 3.0				
AS-i addressing		addressing socket				
Extended addressing mode		yes				
AS-i profile		S-7.A.E				
AS-i I/O configuration	[hex]	7				
AS-i ID code	[hex]	A.E				
Assignment of the data bits		data bit	D0	D1	D2	D3
		input	1	2	3	4
		socket	I-1/2	I-1/2 I-2	I-3/4	I-3/4 I-4
		pin	4	2 4	4	2 4
		pneumatic output	2	4	-	-
Mechanical data						
Weight	[g]	378				
Type of mounting		quick mounting				
Materials		PA; POM; piercing contacts: CuSn6 nickel-plated and tin-plated				
Pneumatic system		2 x 3/2-way slide valves (free from overlapping)				
Operating pressure range	[bar]	2...8				
Operating pressure range	[MPa]	0.2...0.8				
Operating pressure range	[psi]	29...116				
Air flow at 6/5 bar	[l/min]	500				
Permissible compressed air		non-lubricated compressed air class 6-3-1; lubricated compressed air class 6-3-4				
Manual override		pressing/releasing or pressing/turning/locking				
Tube fittings		8 mm				
Exhaust		exhaust can be discharged through tube connection				

AC5228



AS-Interface Airbox with quick mounting technology

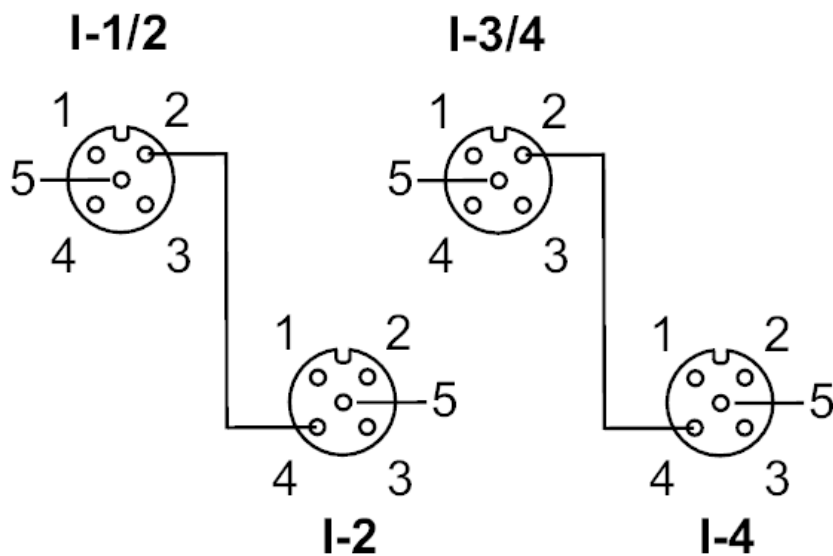
AirBox 2x3/2 4DI-Y IP67

Displays / operating elements		
Display	operation	LED, green
	errors	LED, red
	function	LED, yellow
Electrical connection		
Module connection	Flat cables	
Accessories		
Items supplied	lower part	
Accessories (optional)	Mounting plate:, E74999	
	Module lower part:, E75000	
	Protective cap: M12, E73004	
	sealing plugs:, E75231	
	silencer:, E75232	
	Push-in L-fitting:, E75228	
Push-in T-fitting:, E75227		
Remarks		
Remarks	If not pneumatically operated, E75231 sealing plug must be inserted.	
	Avoid ingress of dirt and dust.	
	Do not connect any of the following points to an external potential:	
	L-, L+, I-1, I-2, I-3, I-4	
	The connections are electrically connected with the AS-i cable.	
Pack quantity	Please see the notes on compressed air and EMC/ESD under "Downloads"	
	1 pcs.	

Electrical connection

quick mounting technology for AS-i flat cable: ; three orientations possible

Connection





AS-Interface Airbox with quick mounting technology

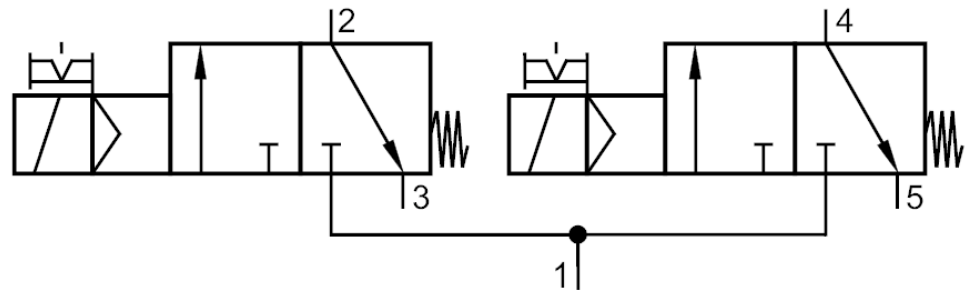
AirBox 2x3/2 4DI-Y IP67

Connector: M12

	Inputs
	socket I-1/2
1	Sensor supply L+
2	data input 2
3	Sensor supply L-
4	data input 1
5	not used
	socket I-2
1	Sensor supply L+
2	not used
3	Sensor supply L-
4	data input 2
5	not used
	socket I-3/4
1	Sensor supply L+
2	data input 4
3	Sensor supply L-
4	data input 3
5	not used
	socket I-4
1	Sensor supply L+
2	not used
3	Sensor supply L-
4	data input 4
5	not used

Diagrams and graphs

Pneumatic symbol



2 x 3/2-way slide valves (free from overlapping)