

REFERENCE SPECIFICATIONS

-NFC 93425 (in compliance with HE 507)

PHYSICAL CHARACTERISTICS

- INSULATOR MATERIAL: THERMOPLASTIC UL94V0
- CONTACT MATERIAL: PHOSPHOR BRONZE(SIGNAL CONTACT)
BRASS (POWERS CONTACT)
- ACCESSORIES: BRASS
- SHELLS: STEEL

ELECTRICAL CHARACTERISTICS

- NOMINAL CURRENT: 7.5A (SIGNAL CONTACT)
30A or 40A (POWER CONTACT)
- CONTACT RESISTANCE: 7.3 m Ohms(SIGNAL and POWER)
- CONTACT/CONTACT : 1000 V
- CONTACT/GROUND : 1200 V
- INSULATION RESISTANCE: 5000 MOhms

ENVIRONEMENTAL CHARACTERISTICS

- CLIMATIC CATEGORY: 55/125/21
TEMPERATURE RANGE -55°C TO +125°C
DAMP HEAT STEADY STATE 21 DAYS
SALT SPRAY 24 HOURS

MECHANICAL CHARACTERISTICS

- RETENTION AGAINST TORQUE: - Threaded insert: 0.7 N.m Maximum
- Female screw : 0.5 N.m Maximum

NOTE RoHS INFORMATION

- The "LF" products meet european union Directives and other country regulations as described in GS-47-0004.
- The housing will withstand exposure to 260°C peak temperature for 3.5 seconds in a wave solder application with a 1.6mm minimum thick circuit board. See application notes/procedures if they are available.
- Termination plating spec:
 - Signal contacts: Ni + Gold/GxT
 - Power contacts: Ni 1.27µmi+Sn 2.5 to 7.5µ,pure bright
- Active area plating spec:
 - Signal and power contacts: Ni + Gold/GxT
- Shell plating :2 to 4µm Cu + 3 to 10µmm Sn,pure bright
- Accessories: Sn pure bright
- Packaging spec: See GS-14-920

DBL13W3S300G30LF

Series

- Shell size: **E A B C D**
see sheet 3
- Front accessory definition
see sheet 2
- L** : threaded insert M3
 - O** : threaded insert UNC 4-40
 - V** : female screw UNC 4-40

Layout of contacts (see sheet 3)

- Contacts
- S** : Socket

- Termination type
- 3** Straight version

- Plating
- 00** 200 matings/unmatings
 - 43** 500 matings/unmatings

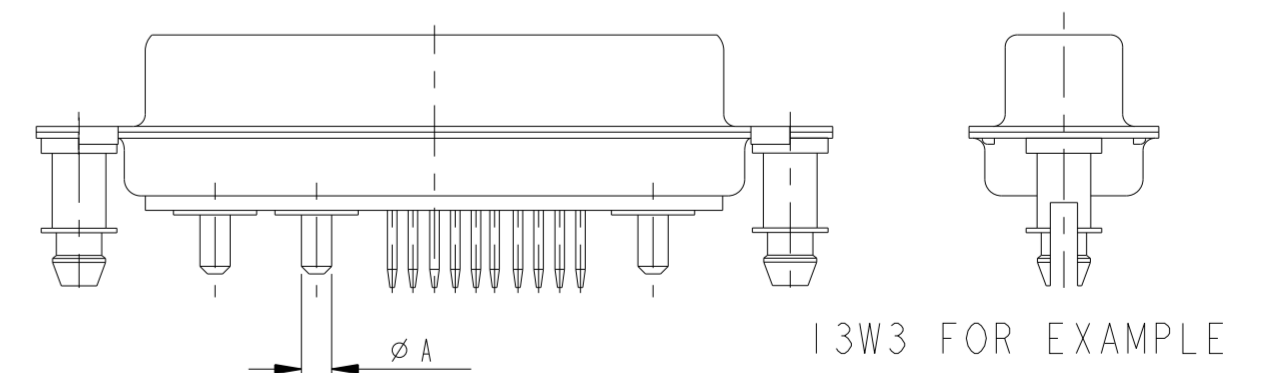
- PCB accessories definition
see sheet 2
- H** : harpoons for PCB 2.40mm
 - G** : harpoons for PCB 1.60mm

- Power contacts
- 30** : Fitted with power contacts 30 Amp.
 - 40** : Fitted with power contacts 40 Amp.

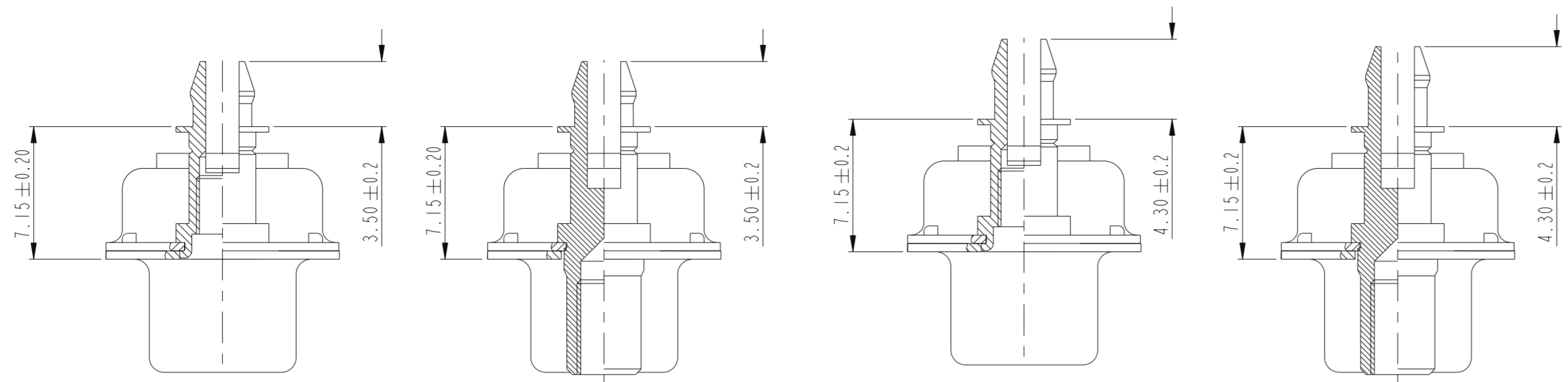
See note RoHS

TABLE 1:PCB HOLE DIAMETERS

	POWER CONTACTS		ACCESSORIES	SIGNAL CONTACTS
30 A	2.00	ø2.40	ø3.10	ø1.00
40 A	2.80	3.10		
Max current power	Ø A ±0.1	PCB HOLE +/-0.1	PCB HOLE +/-0.1	PCB HOLE +/-0.1



spec ref	dr	1, Product Eng	2015/06/12	projection	MM	size	A2	scale	1:1
tolerance std	eng	Gregar Mathew	2019/11/11		rel level	ecn no	ELX-132909-1	rel level	Released
ISO 406 ISO 1101	chr	-	appr						
surface	linear	0.X	±0.3			SUB FEMALE DW		cat. no.	-
ISO 1302	angular	0°	±22°	MIXED POWER STRAIGHT SOLDER		diag no	C01-8639-2302c	rev	K
Product - Customer Drw						sheet 1 of 7			



FRONT ACCESSORY	L insert M3 O insert UNC 4.40	V insert UNC 4.40	L insert M3 O insert UNC 4.40	V insert UNC 4.40
PCB ACCESSORIES	G Harpoon for PCB 1.60mm	G Harpoon for PCB 1.60mm	H Harpoon for PCB 2.40mm	H Harpoon for PCB 2.40mm

PART NUMBER	AMPS	MATINGS/ UNMATINGS	FRONT ACCESSORY	PCB ACCESSORIES
D*LxWxS300G30LF	30	200	insert M3	harpoon PCB 1.60mm
D*OxWxS300G30LF	30	200	insert UNC 4.40	harpoon PCB 1.60mm
D*VxWxS300G30LF	30	200	female screw UNC 4.40	harpoon PCB 1.60mm
D*LxWxS300H30LF	30	200	insert M3	harpoon PCB 2.40mm
D*OxWxS300H30LF	30	200	insert UNC 4.40	harpoon PCB 2.40mm
D*VxWxS300H30LF	30	200	female screw UNC 4.40	harpoon PCB 2.40mm
D*LxWxS300G40LF	40	200	insert M3	harpoon PCB 1.60mm
D*OxWxS300G40LF	40	200	insert UNC 4.40	harpoon PCB 1.60mm
D*VxWxS300G40LF	40	200	female screw UNC 4.40	harpoon PCB 1.60mm
D*LxWxS300H40LF	40	200	insert M3	harpoon PCB 2.40mm
D*OxWxS300H40LF	40	200	insert UNC 4.40	harpoon PCB 2.40mm
D*VxWxS300H40LF	40	200	female screw UNC 4.40	harpoon PCB 2.40mm

shell size	LAYOUTS
*	xWx
E	5W1
A	11W1
A	7W2
B	21W1
B	17W2
B	13W3
B	9W4
C	25W3
C	21WA4
C	27W2
D	47W1
D	24W7
D	36W4

PART NUMBER	AMPS	MATINGS/ UNMATINGS	FRONT ACCESSORY	PCB ACCESSORIES
D*LxWxS343G30LF	30	500	insert M3	harpoon PCB 1.60mm
D*OxWxS343G30LF	30	500	insert UNC 4.40	harpoon PCB 1.60mm
D*VxWxS343G30LF	30	500	female screw UNC 4.40	harpoon PCB 1.60mm
D*LxWxS343H30LF	30	500	insert M3	harpoon PCB 2.40mm
D*OxWxS343H30LF	30	500	insert UNC 4.40	harpoon PCB 2.40mm
D*VxWxS343H30LF	30	500	female screw UNC 4.40	harpoon PCB 2.40mm
D*LxWxS343G40LF	40	500	insert M3	harpoon PCB 1.60mm
D*OxWxS343G40LF	40	500	insert UNC 4.40	harpoon PCB 1.60mm
D*VxWxS343G40LF	40	500	female screw UNC 4.40	harpoon PCB 1.60mm
D*LxWxS343H40LF	40	500	insert M3	harpoon PCB 2.40mm
D*OxWxS343H40LF	40	500	insert UNC 4.40	harpoon PCB 2.40mm
D*VxWxS343H40LF	40	500	female screw UNC 4.40	harpoon PCB 2.40mm

Amphenol FCI

© 2016 AFCI

spec ref	dr 1, Product Eng	2015/06/12	projection	MM	size A2	scale 3:1
tolerance std	eng Gregar Mathew	2019/11/11			ecn no ELX-32909-1	rel level Released
ISO 406 ISO 1101	chr -	-				
TOLERANCES UNLESS OTHERWISE SPECIFIED	appr Varma Sudhir	2019/11/12	product family	D SUB		
surface	linear	0.X ±0.30 0.XX ±0.10 0.XXX ±0.05	Amphenol FCI	title	SUB FEMALE DW	rev K
ISO 1302	angular	0° ±2°		cat. no.	-	Product - Customer Drw
						sheet 2 of 7

PDS: Rev :K

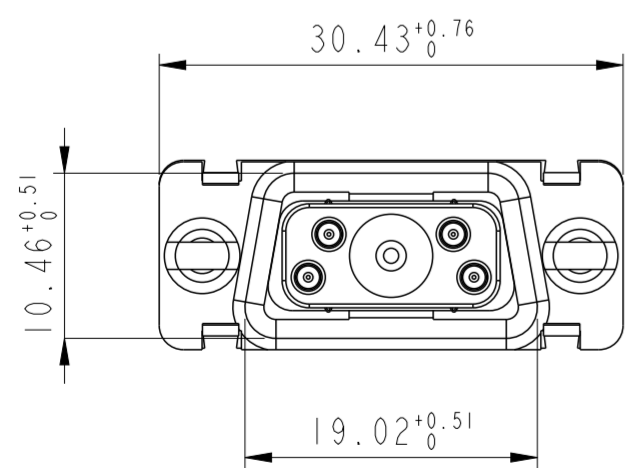
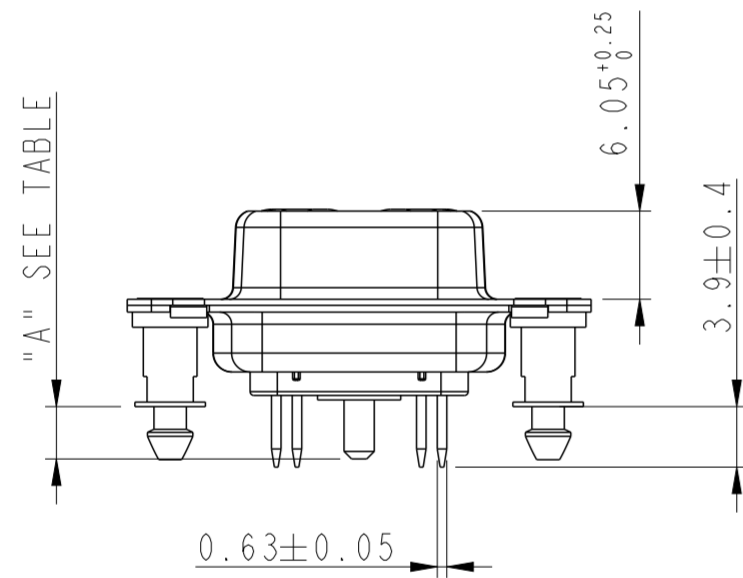
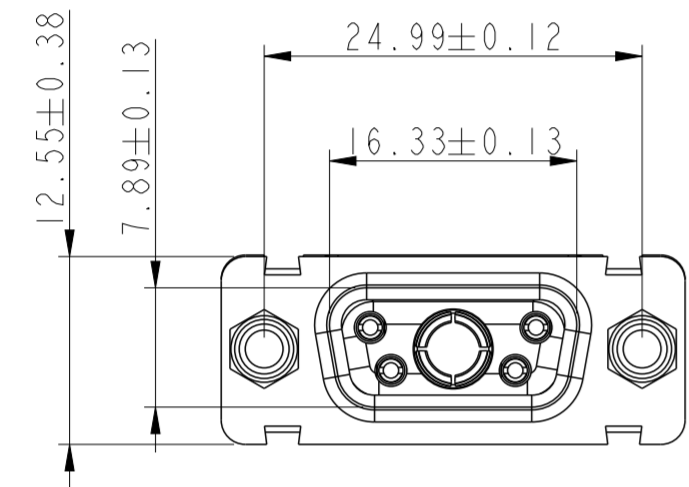
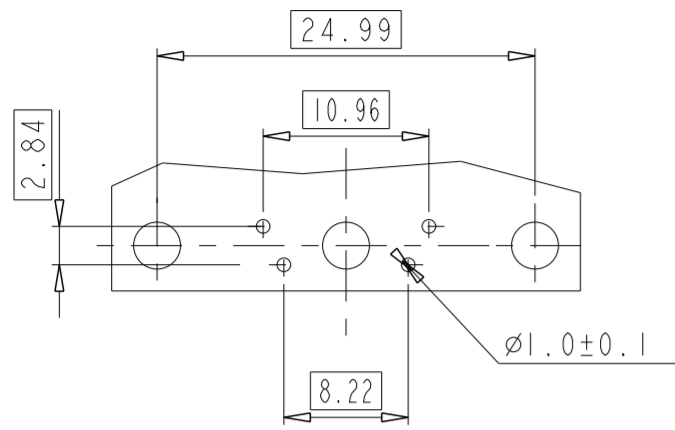
STATUS: Released

Printed: Nov 12, 2019

5W1

LAYOUT AND CONNECTOR DIMENSIONS

For PCB hole diameters see table I sheet 1

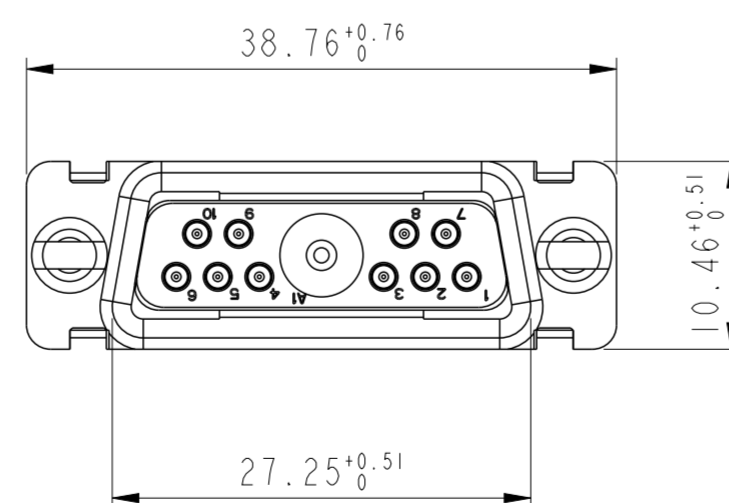
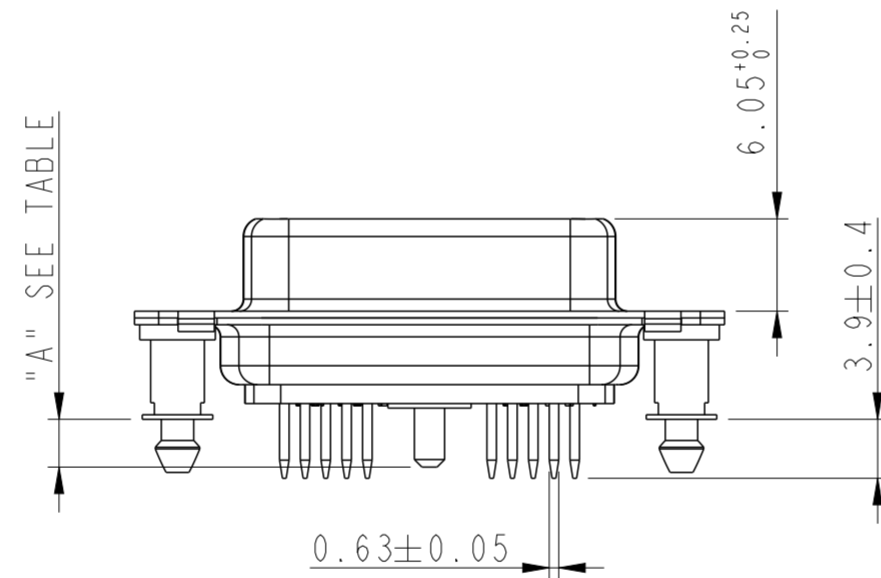
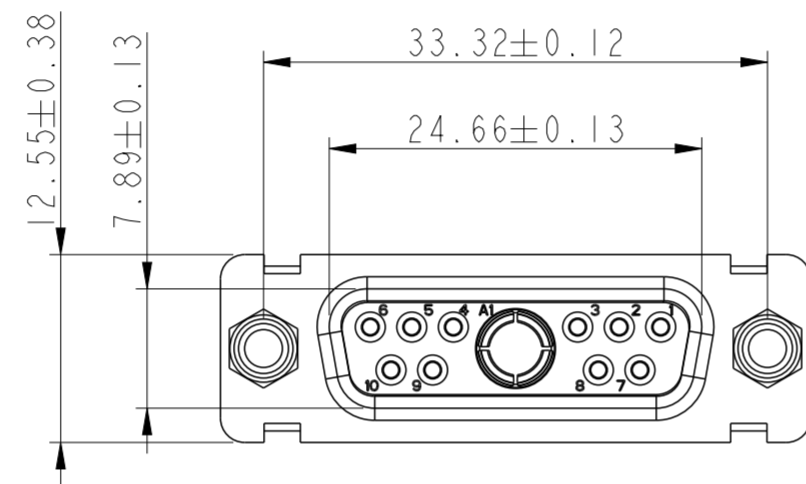
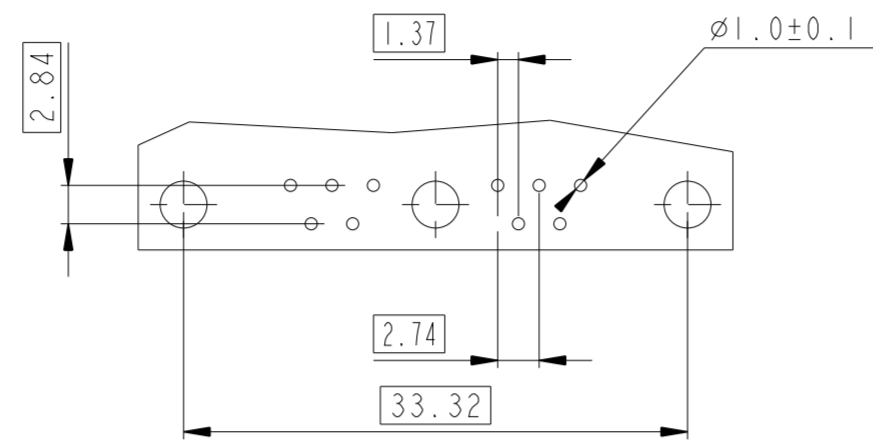


Floating signal contacts

11W1

LAYOUT AND CONNECTOR DIMENSIONS

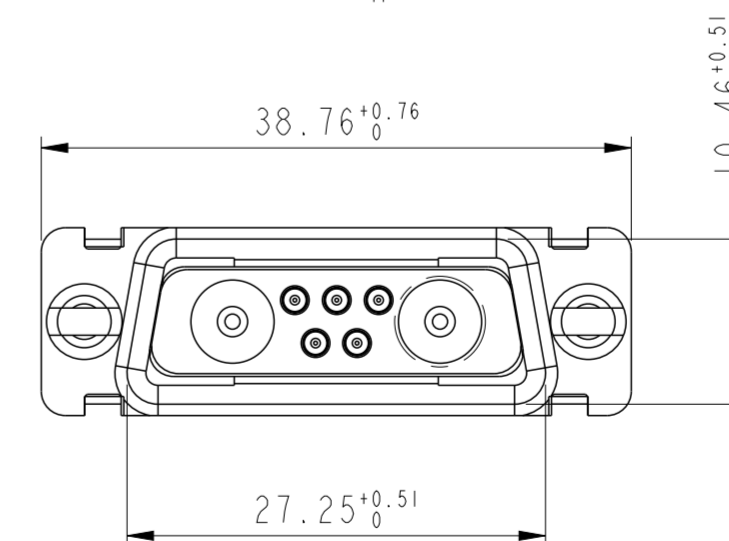
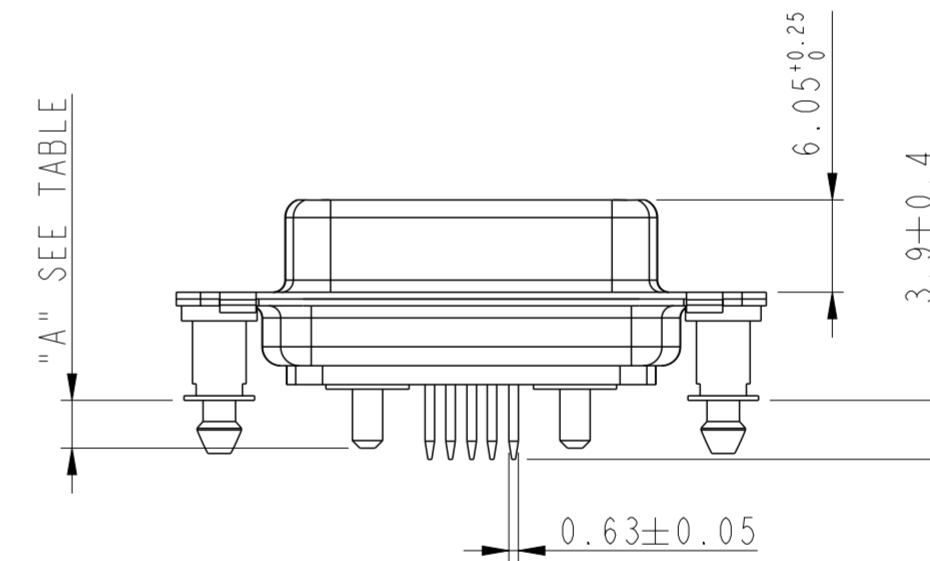
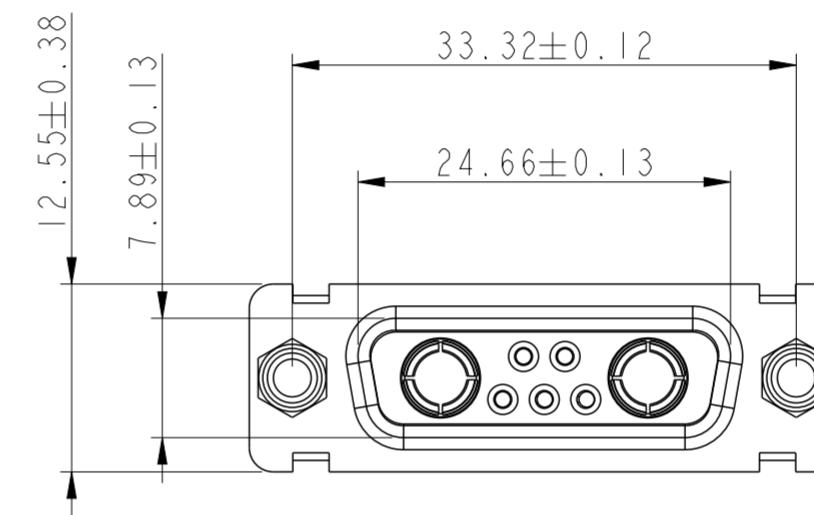
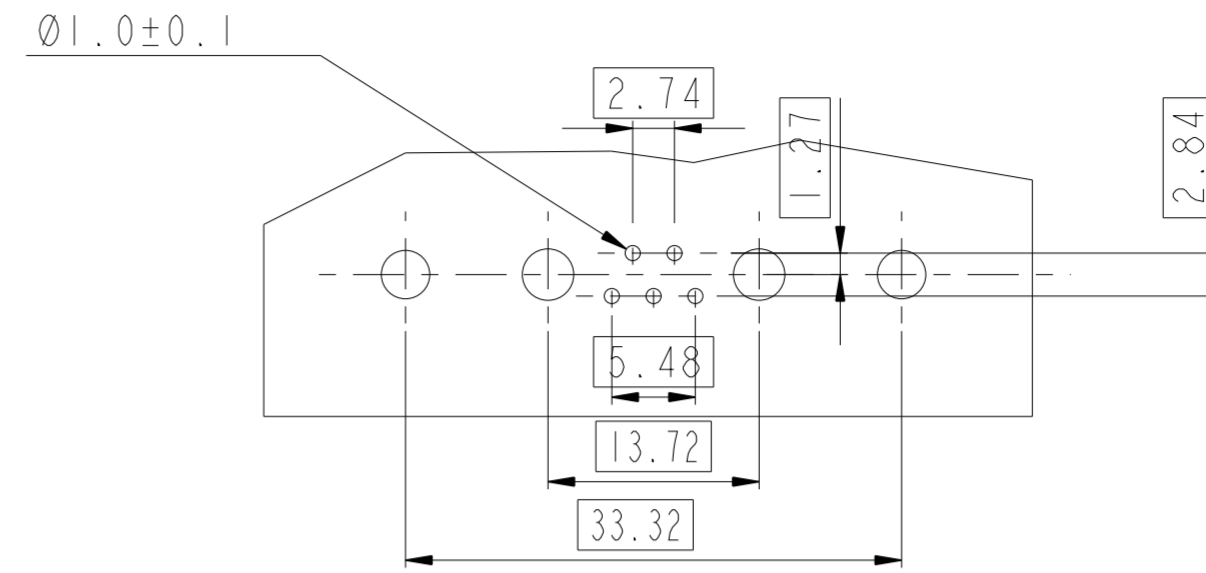
For PCB hole diameters see table I sheet 1



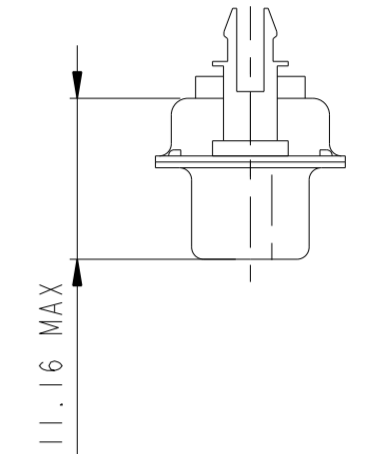
7W2

LAYOUT AND CONNECTOR DIMENSIONS

For PCB hole diameters see table I sheet 1



SIDE VIEW FOR LAYOUTS: E A B C



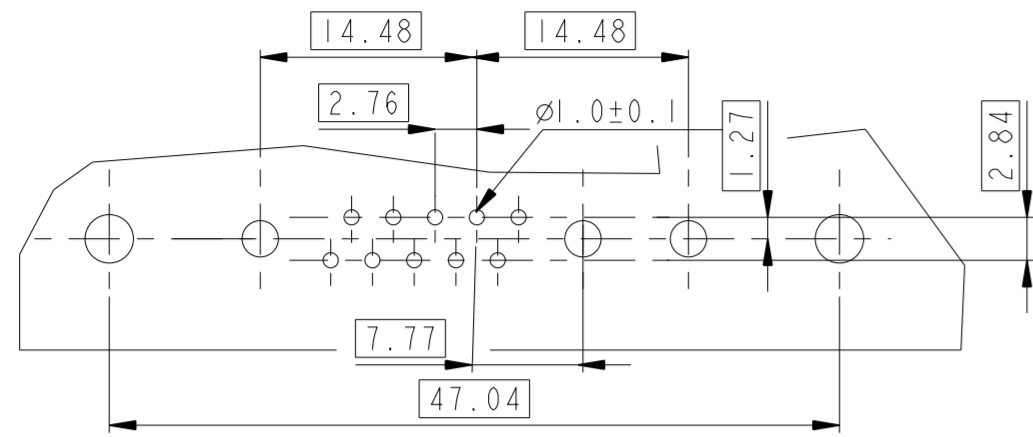
COTE "A"

30A	3.6±0.35
40A	4.0±0.35

spec ref	dr	1, Product Eng	2015/06/12	projection	MM	size	A2	scale	2:1	
tolerance std	eng	Gregar Mathew	2019/11/11			D SUB	rel level	Released	ecn no	ELX-32909-1
ISO 406	chr	-	apppr							
ISO 1101	TOLERANCES UNLESS OTHERWISE SPECIFIED			product family	D SUB		rel level	Released	ecn no	ELX-32909-1
surface	linear	0.X	±0.30	Amphenol FCI	SUB FEMALE DW	cat. no.	-	Product - Customer Drw	sheet 3 of 7	rev
		0.XX	±0.10							
ISO 1302	angular	0.XXX	±0.05	MIXED POWER STRAIGHT SOLDER	-	-	-	-	-	K
		0°	±2°							

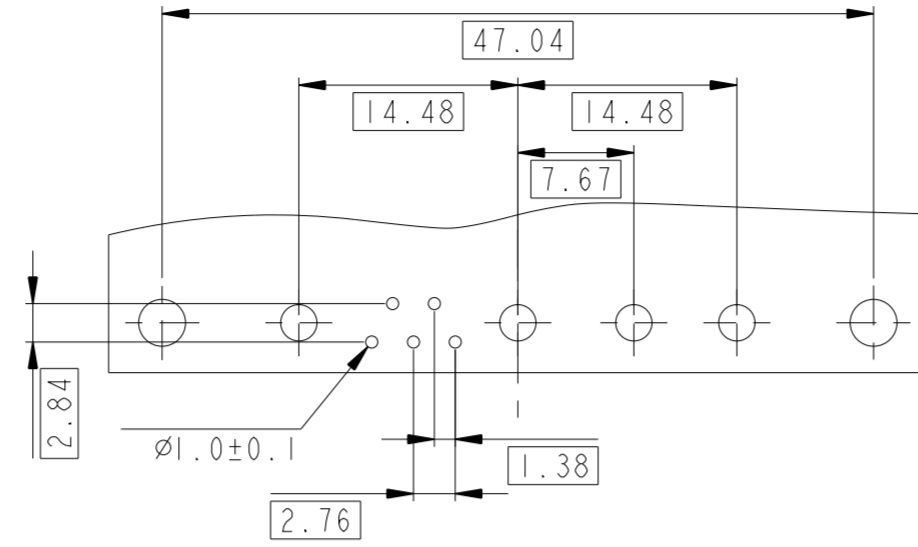
13W3

LAYOUT AND CONNECTOR DIMENSIONS
For PCB hole diameters see table I sheet 1



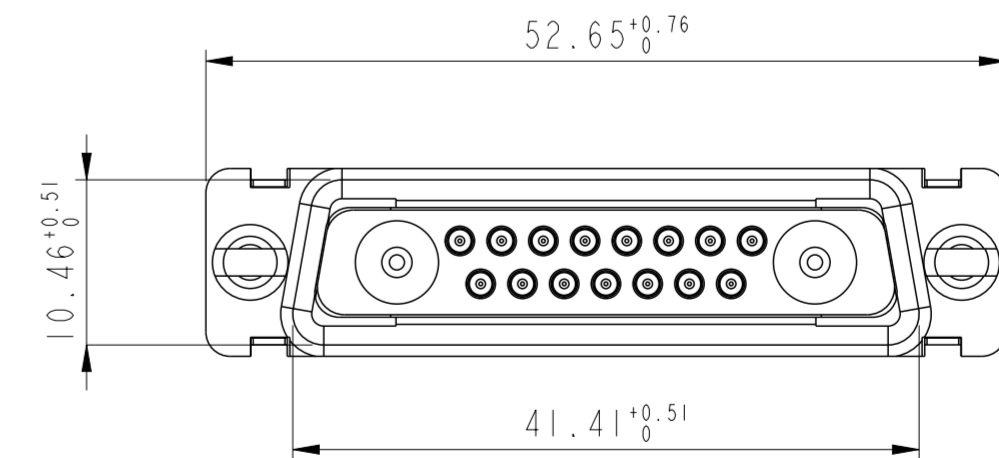
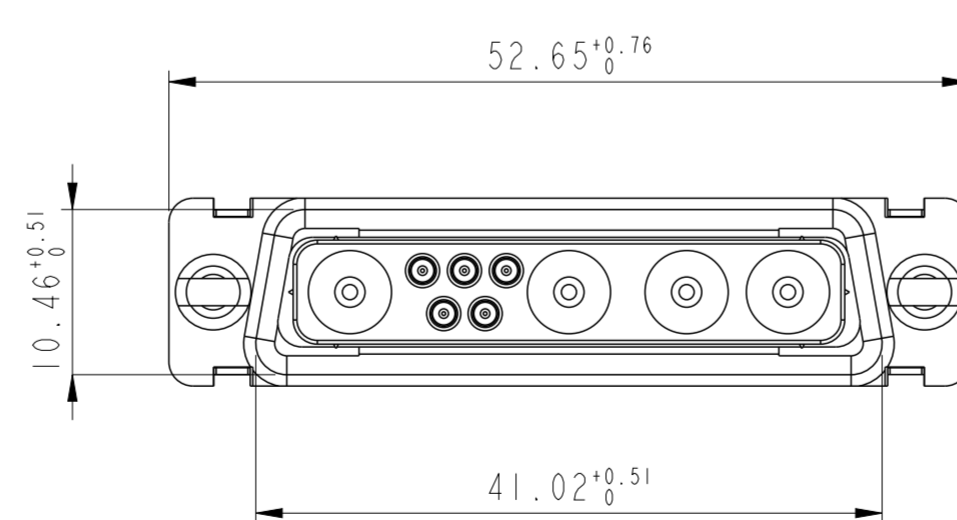
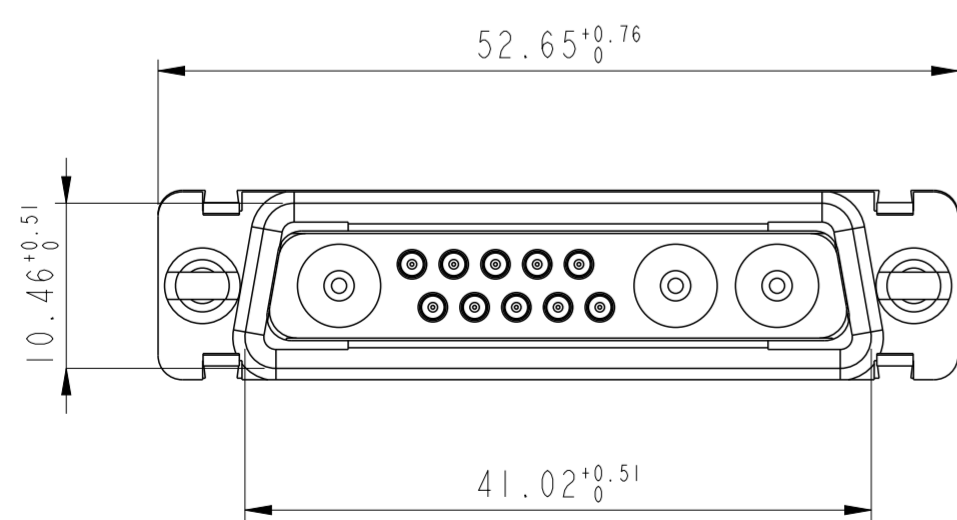
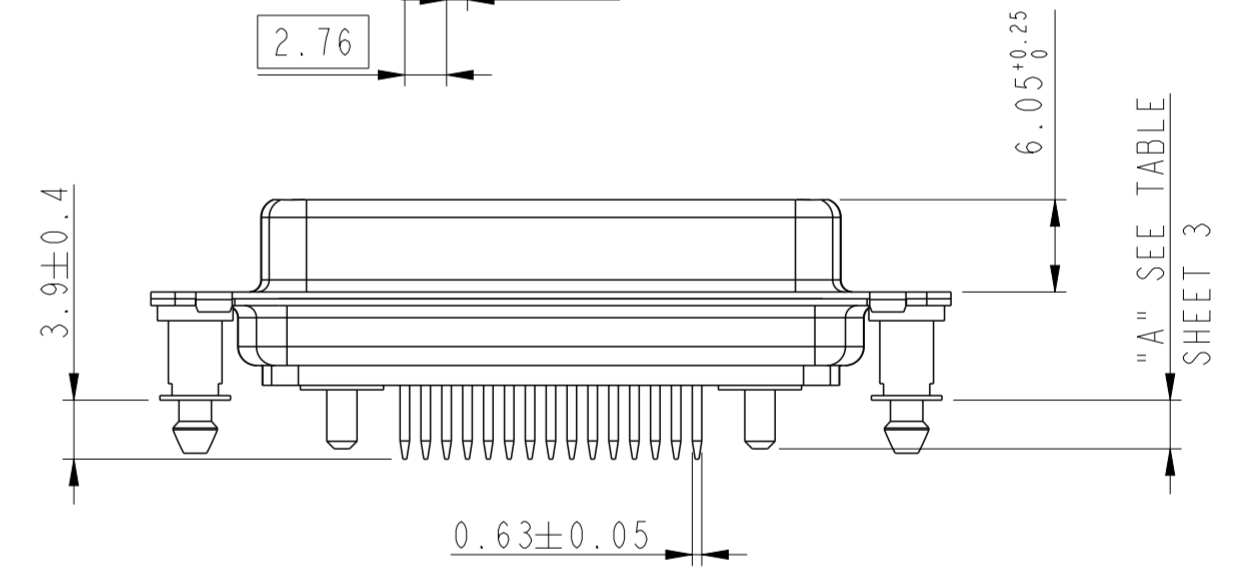
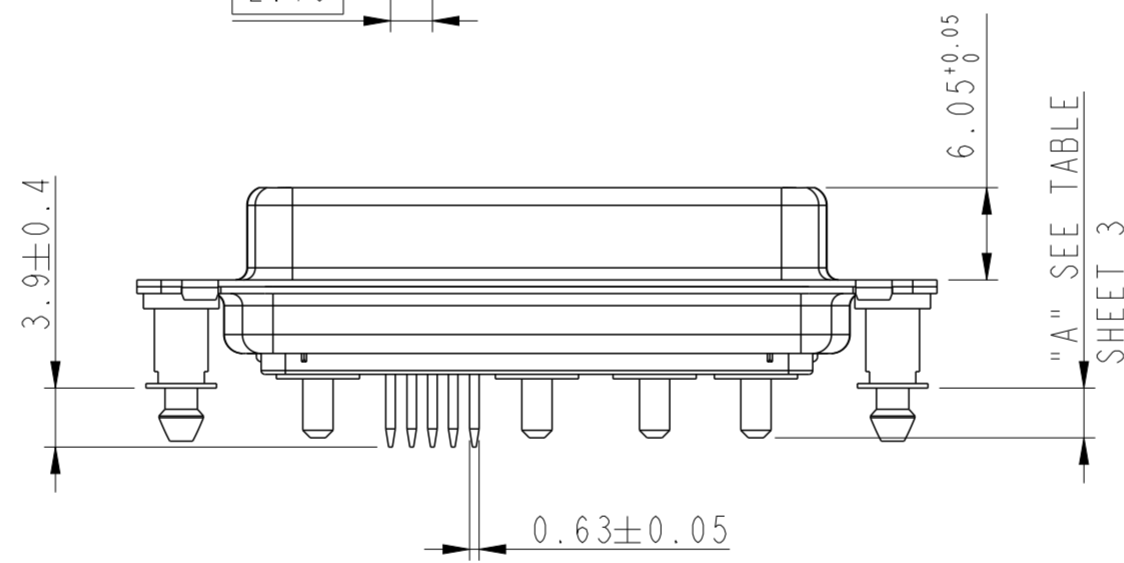
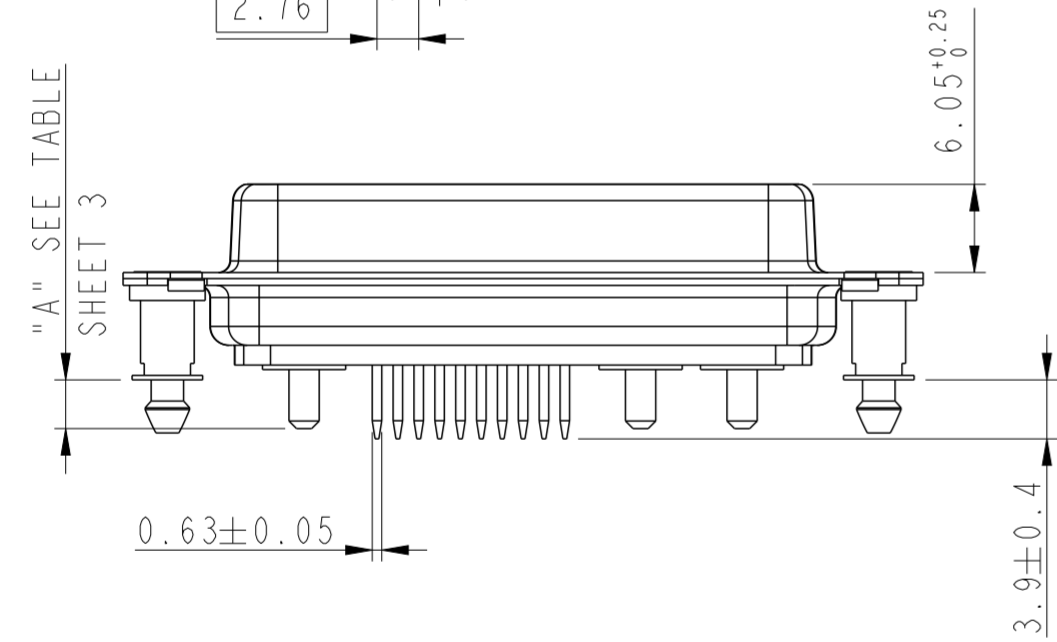
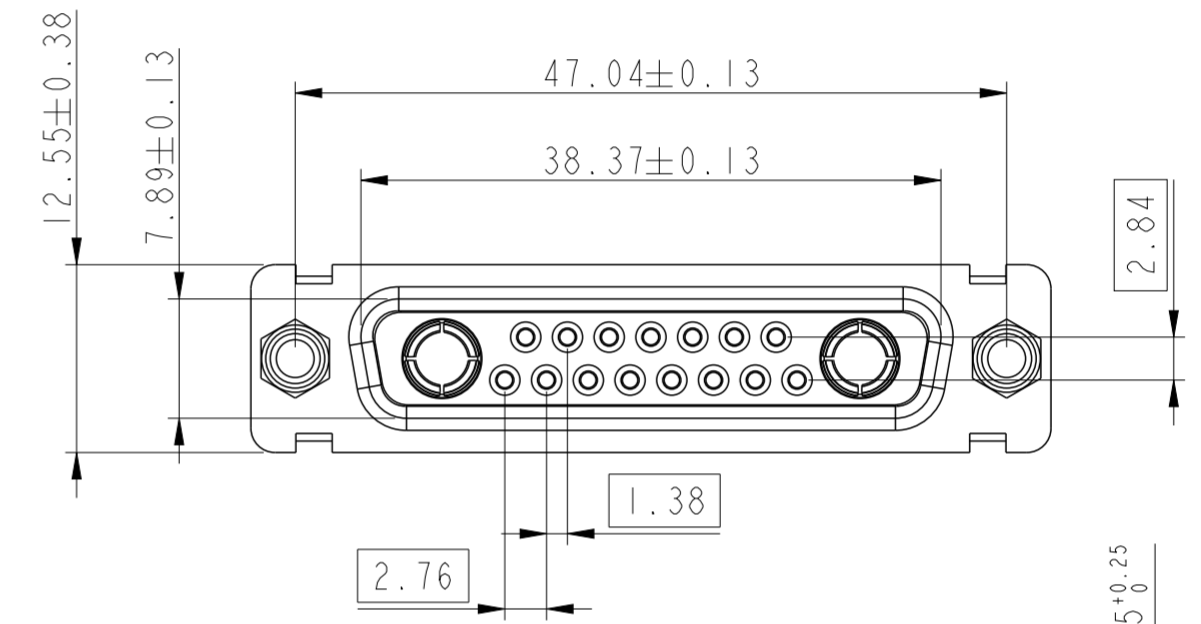
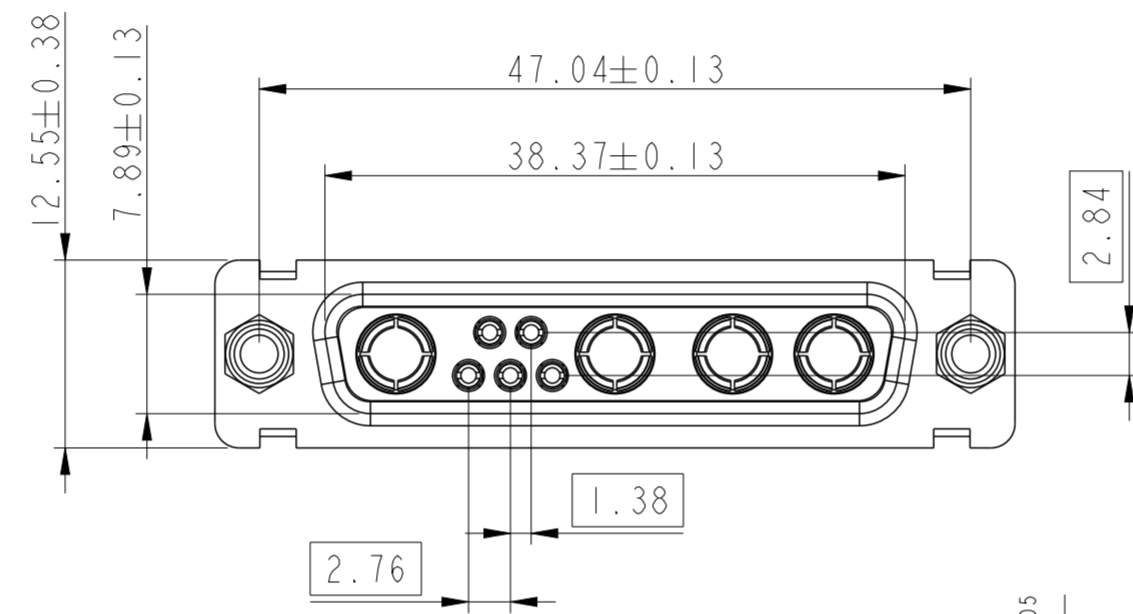
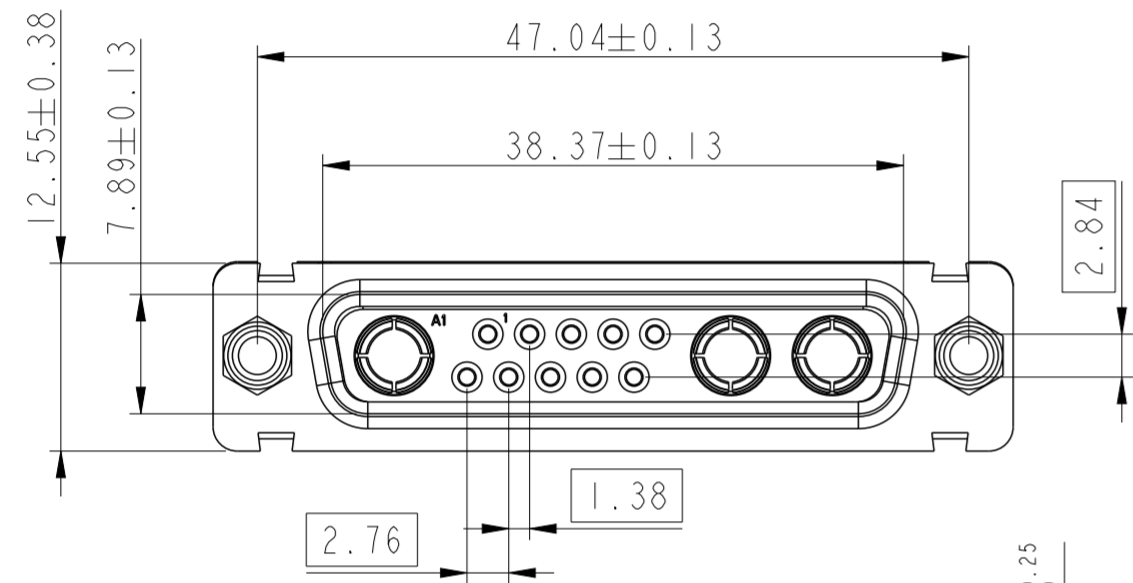
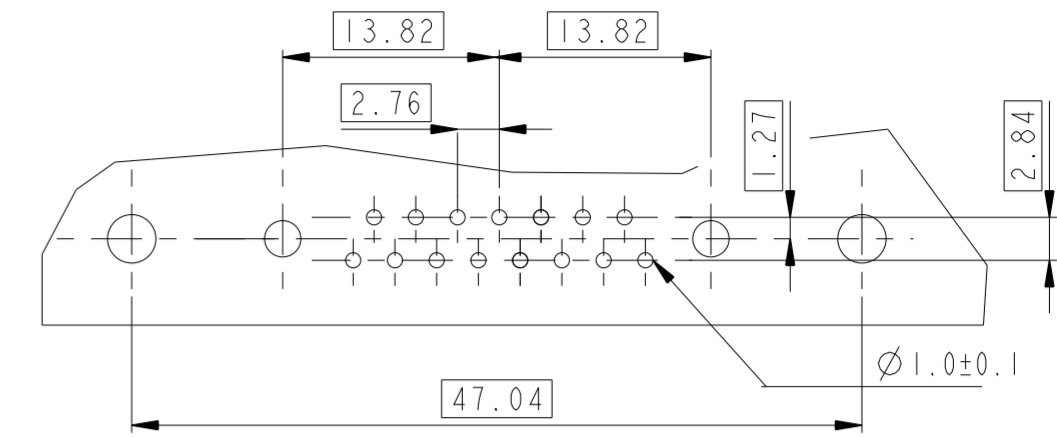
9W4

LAYOUT AND CONNECTOR DIMENSIONS
For PCB hole diameters see table I sheet 1



17W2

LAYOUT AND CONNECTOR DIMENSIONS
For PCB hole diameters see table I sheet 1



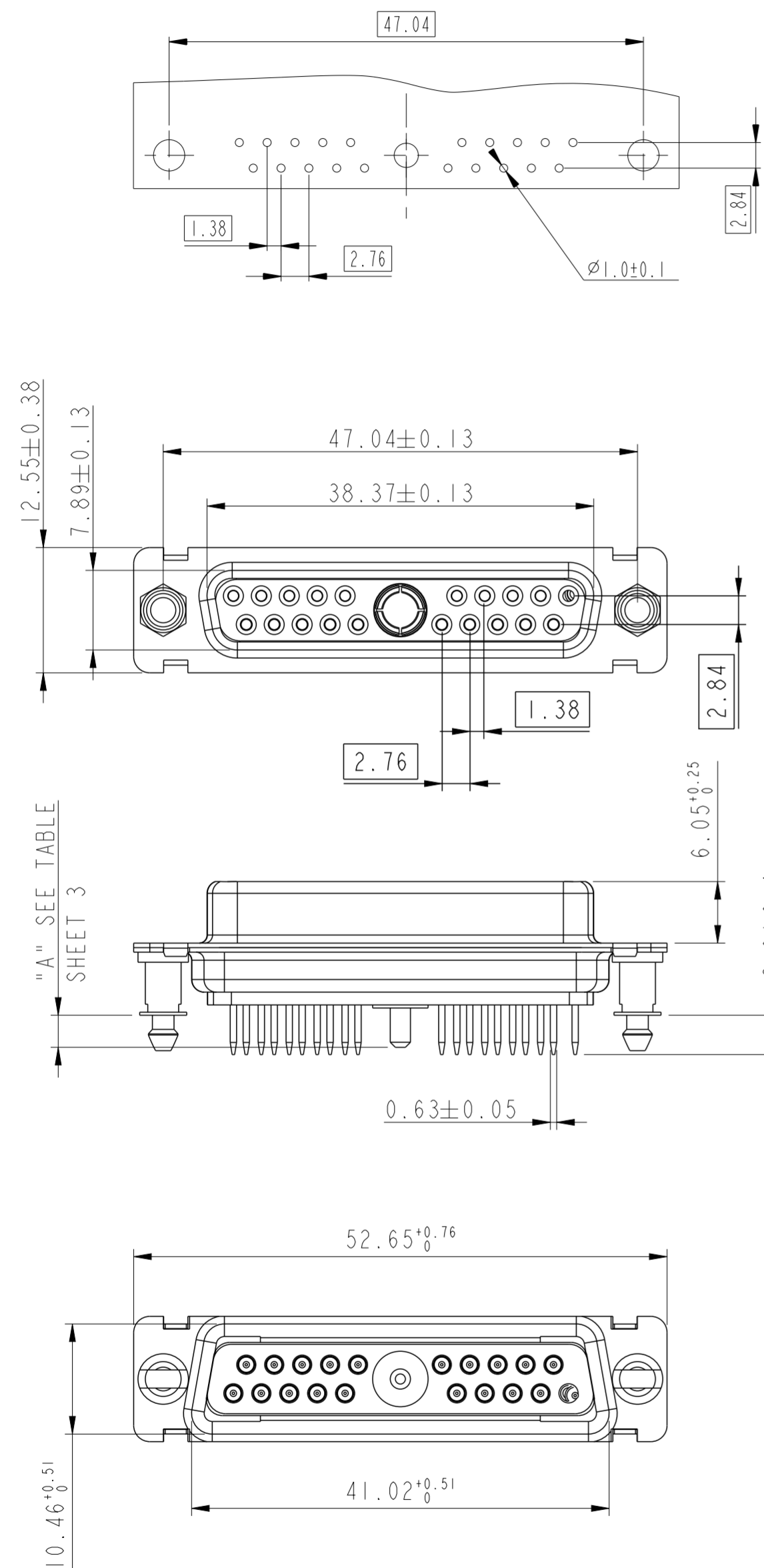
Floating signal contacts

spec ref	dr	1, Product Eng	2015/06/12	projection	MM	size	A2	scale	2:1
tolerance std	eng	Gregar Mathew	2019/11/11			ecn no	ELX-32909-1	rel level	Released
ISO 406	chr	-	2019/11/12						
ISO 1101	appr	Varma Sudhir	2019/11/12	product family	D SUB	rel level	Released		
surface	linear			Amphenol FCI	title SUB FEMALE DW MIXED POWER STRAIGHT SOLDER		dwg no	C01-8639-2302c	
ISO 1302	angular	0°	±2°	cat. no.	-	Product - Customer Drw	sheet 4 of 7	rev	K

21W1

LAYOUT AND CONNECTOR DIMENSIONS

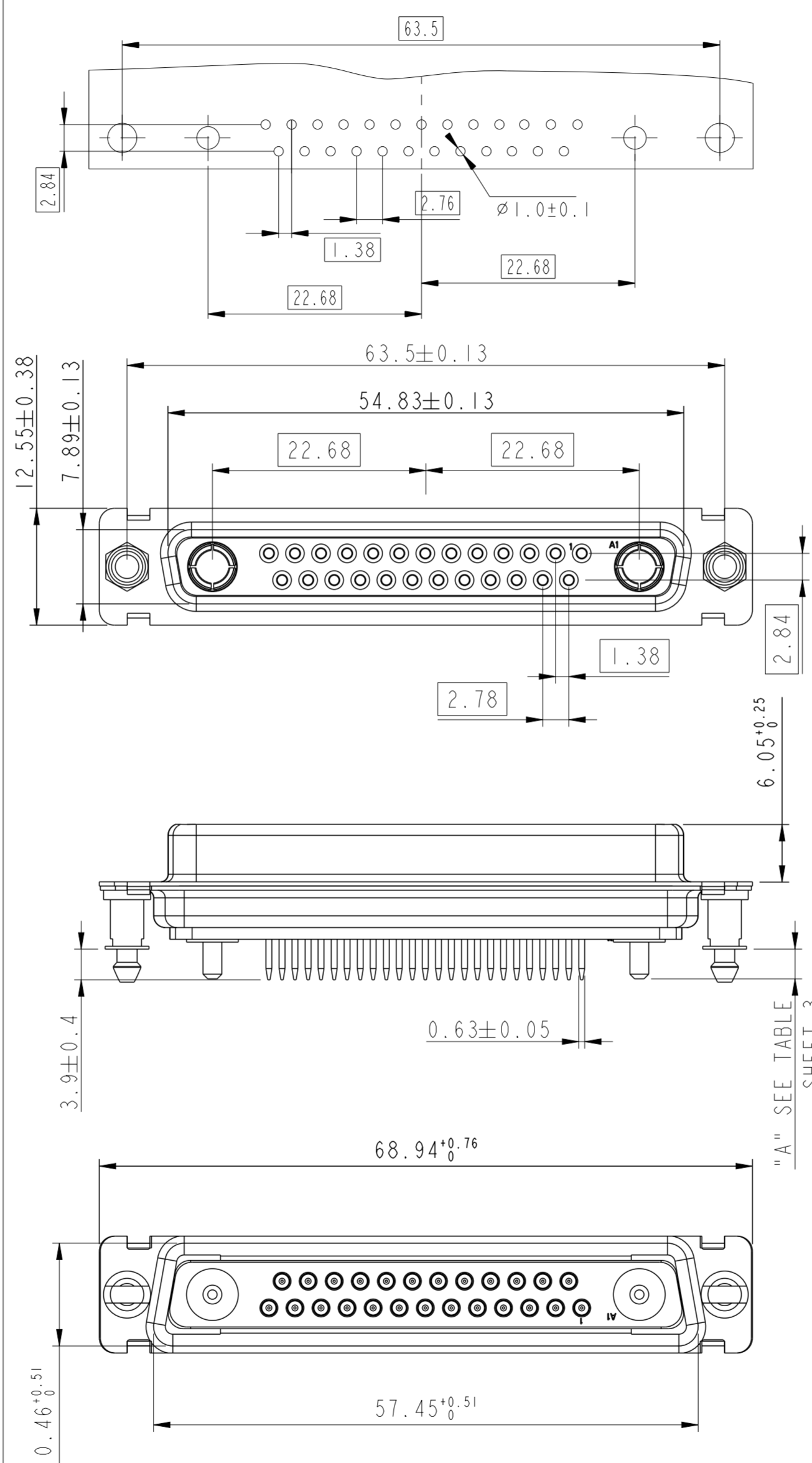
For PCB hole diameters see table I sheet 1



27W2

LAYOUT AND CONNECTOR DIMENSIONS

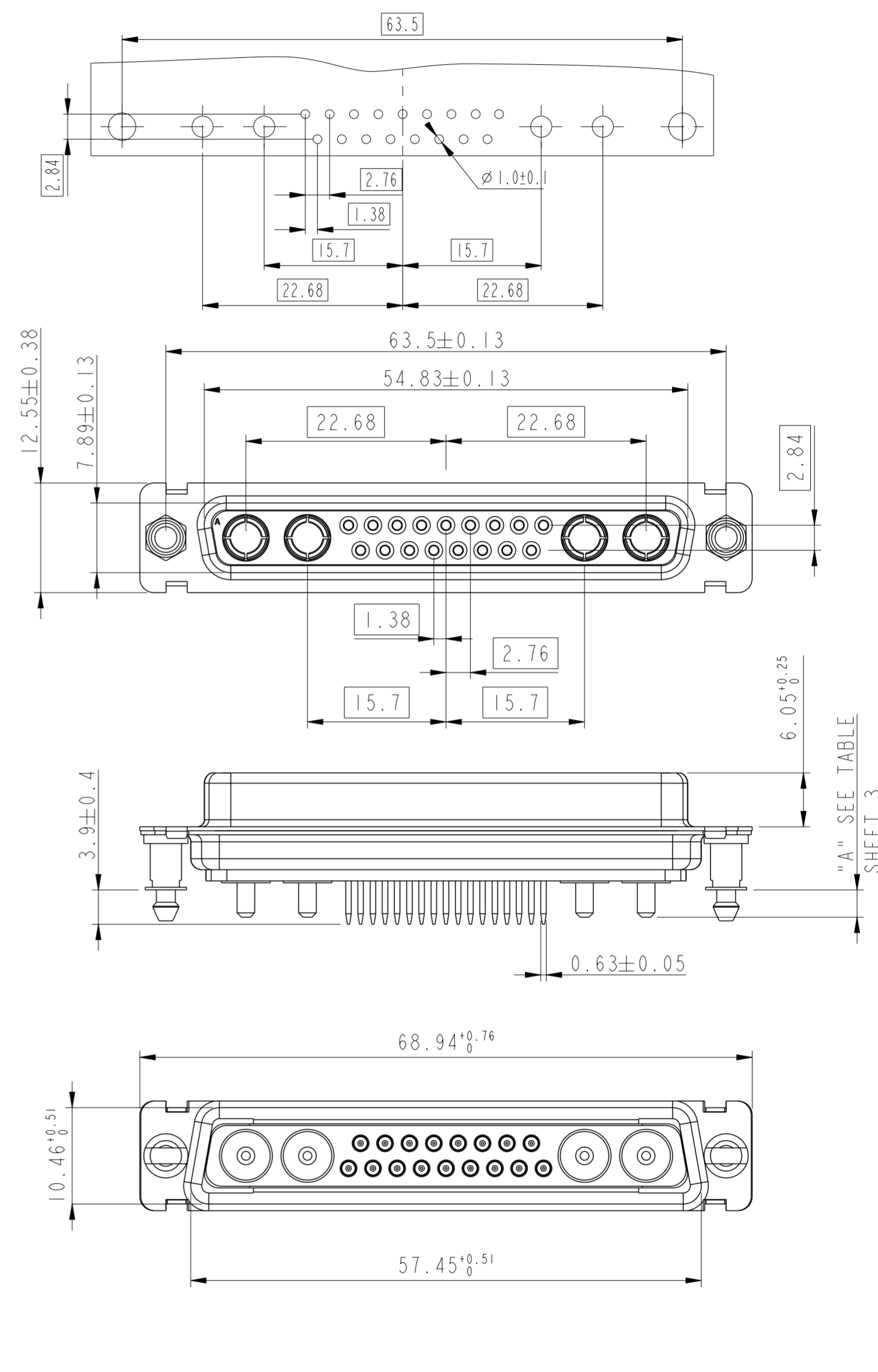
For PCB hole diameters see table I sheet 1



21WA4

LAYOUT AND CONNECTOR DIMENSIONS

For PCB hole diameters see table I sheet 1



Amphenol
FCI

© 2016 APCI

spec ref	dr	1, Product Eng	2015/06/12	projection	MM	size	A2	scale	2:1			
tolerance std	eng	Gregar Mathew	2019/11/11		ecn no	ELX-32909-1						
ISO 406	chr	-	-			rel level	Released					
ISO 1101	appr	Varma Sudhir	2019/11/12	product family	D SUB							
surface	linear	Amphenol FCI		title	SUB FEMALE DW				dwg no	C01-8639-2302c	rev	K
ISO 1302	angular	TOLERANCES UNLESS OTHERWISE SPECIFIED 0.X ±0.30 0.XX ±0.10 0.XXX ±0.05 0° ±2°		cat. no.	Product - Customer Drw				sheet 5 of 7			

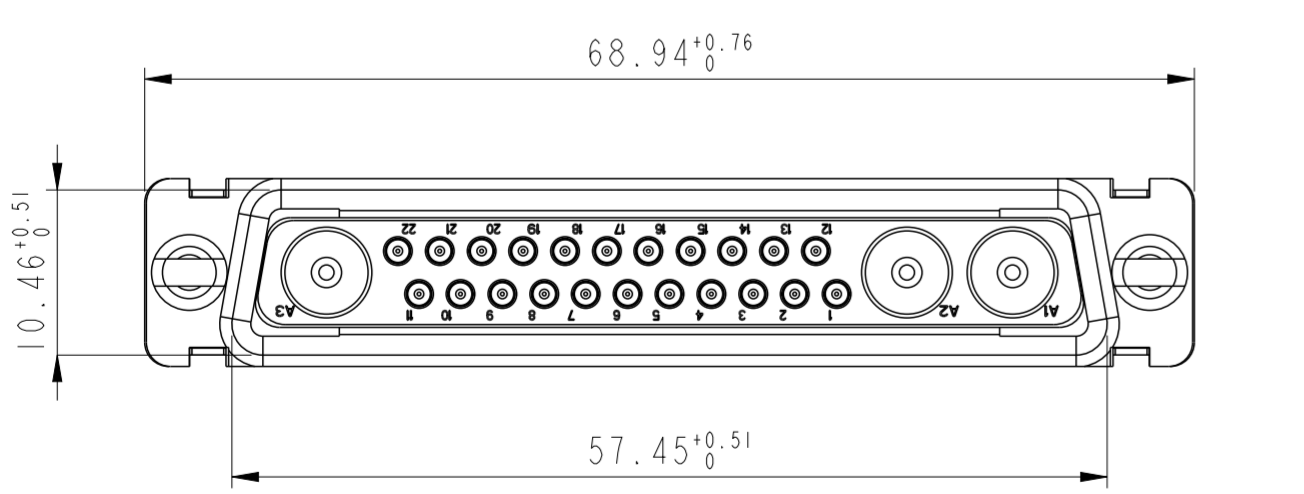
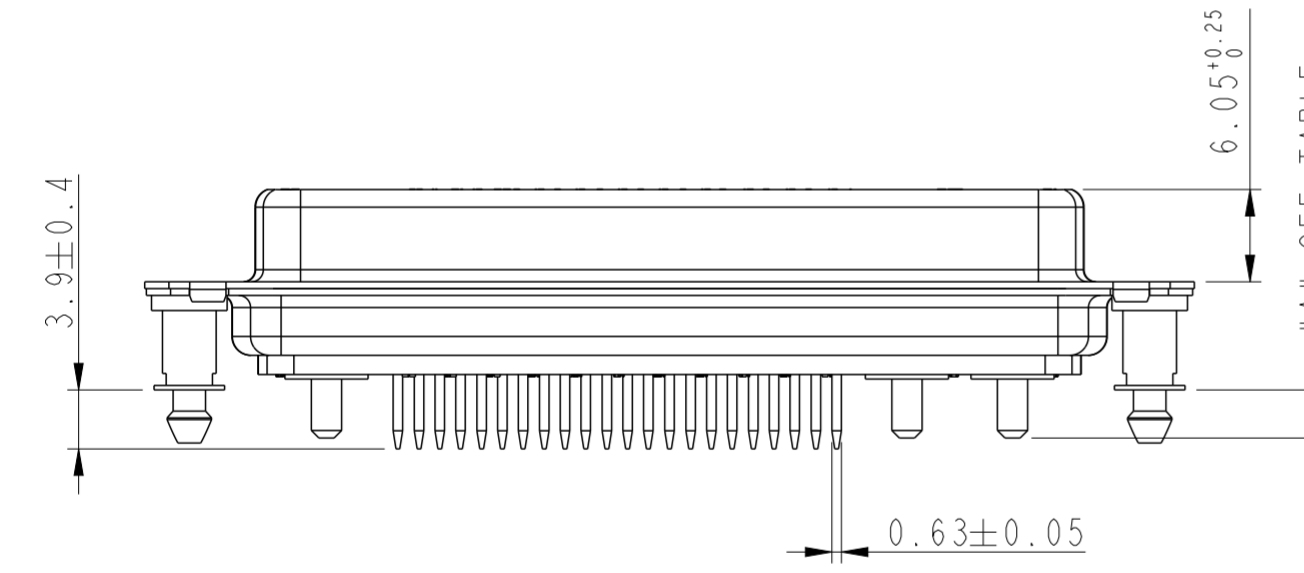
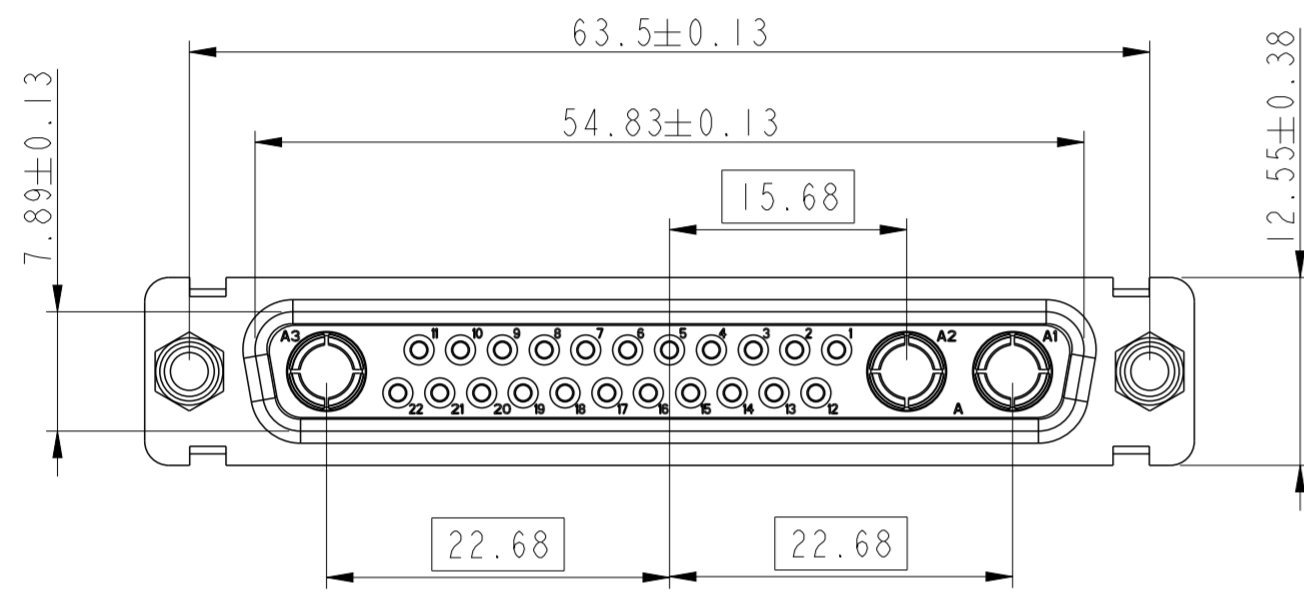
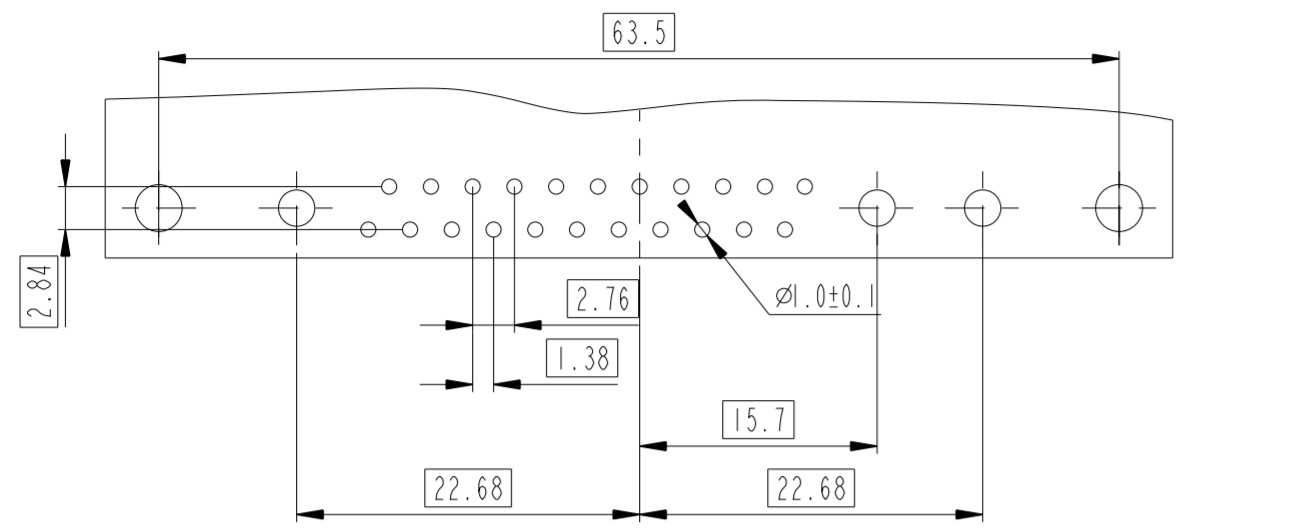
PDS: Rev :K

STATUS:Released

Printed: Nov 12, 2019

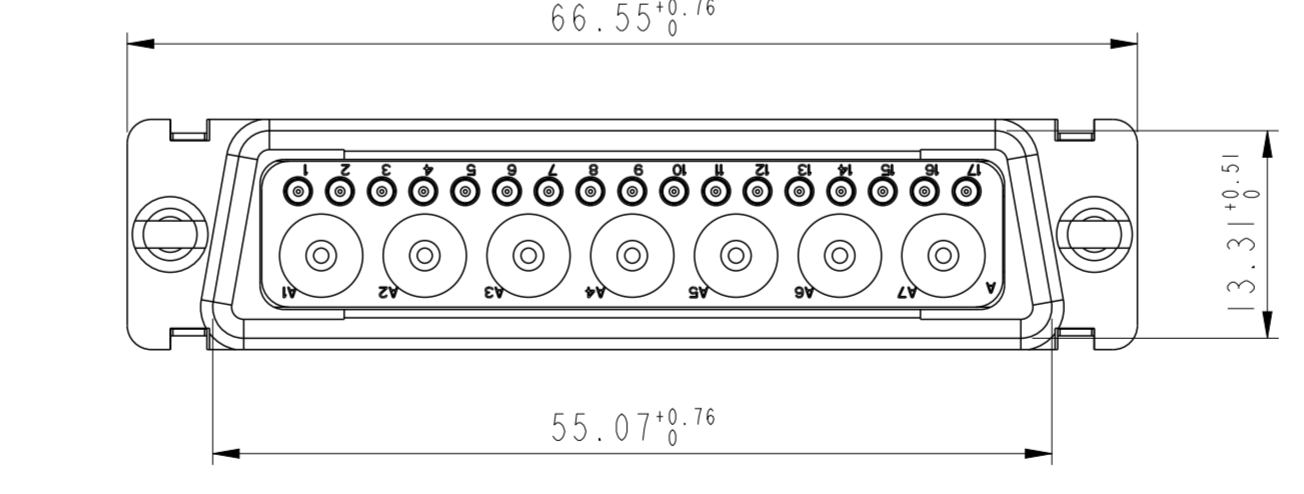
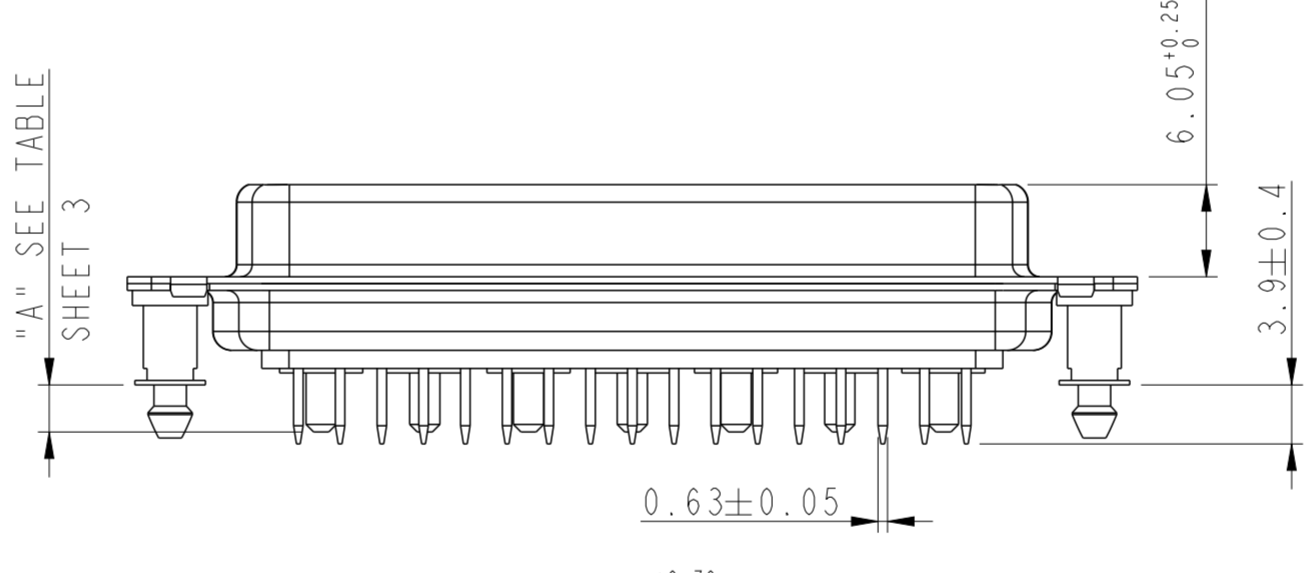
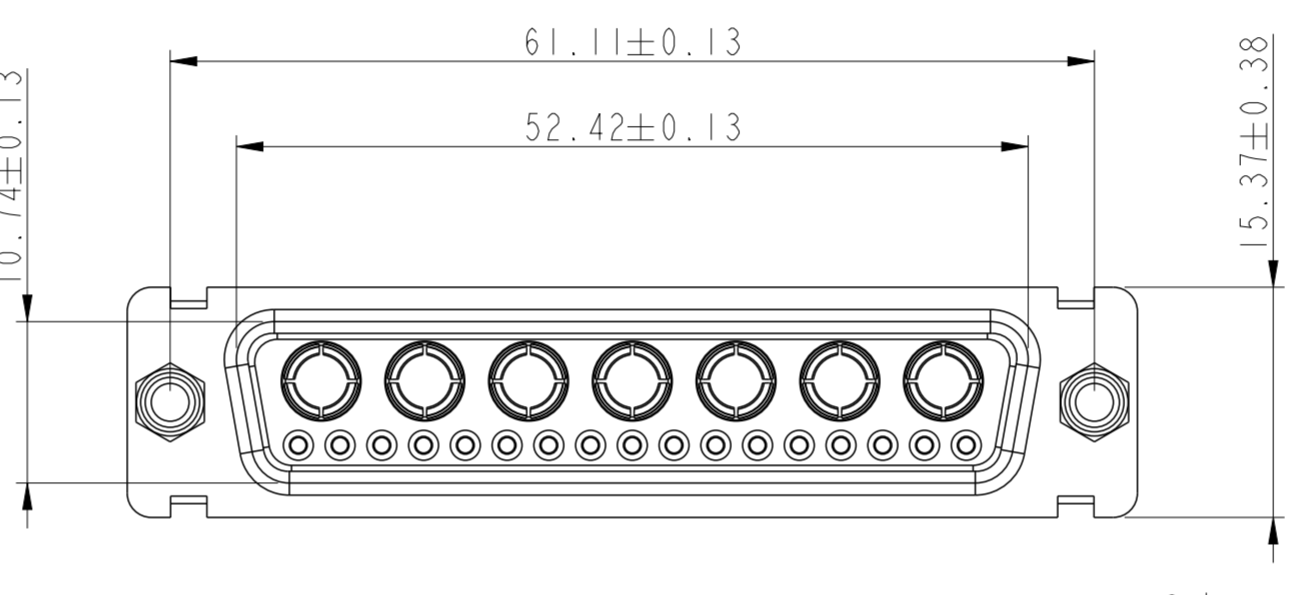
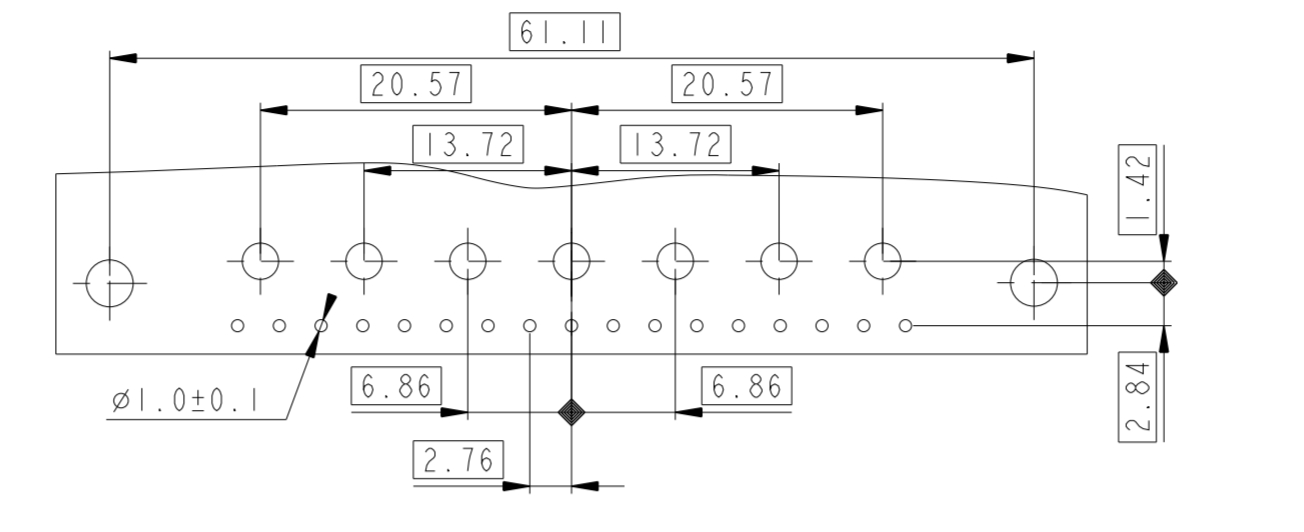
25W3

LAYOUT AND CONNECTOR DIMENSIONS
For PCB hole diameters see table I sheet 1

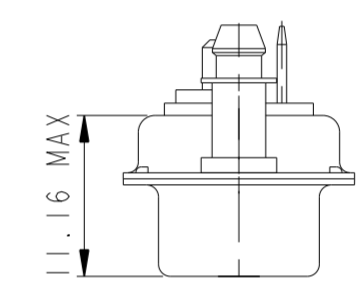


24W7

LAYOUT AND CONNECTOR DIMENSIONS
For PCB hole diameters see table I sheet 1



SIDE VIEW FOR LAYOUTS: D



Amphenol FCI

© 2016 AFCI

spec ref	dr	1, Product Eng	2015/06/12	projection	MM	size	A2	scale	2:1	
tolerance std	eng	Gregar Mathew	2019/11/11			ecn no	ELX-32909-1	rel level	Released	
ISO 406	chr	-	product family			D SUB				
ISO 1101	appr	Varma Sudhir	2019/11/12	Amphenol FCI		title	SUB FEMALE DW		rev	K
surface	linear	0.X	±0.30	Amphenol FCI		dwg no	C01-8639-2302c		sheet	6 of 7
ISO 1302	angular	0°	±2°	Amphenol FCI		cat. no.	-		Product - Customer Drw	

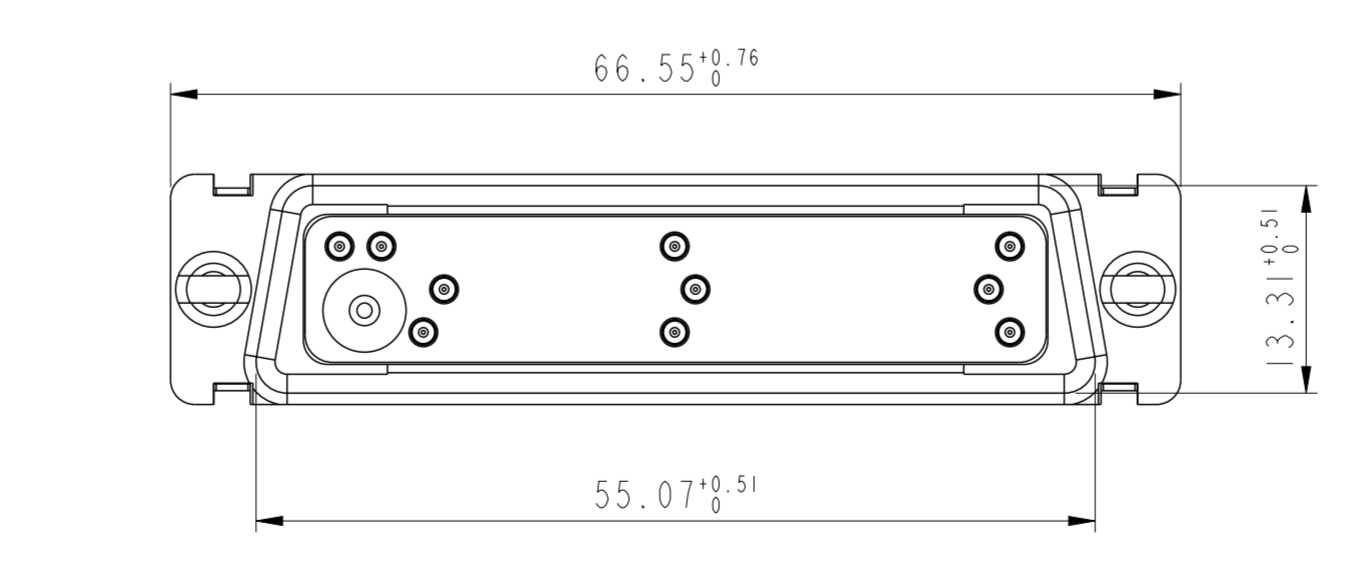
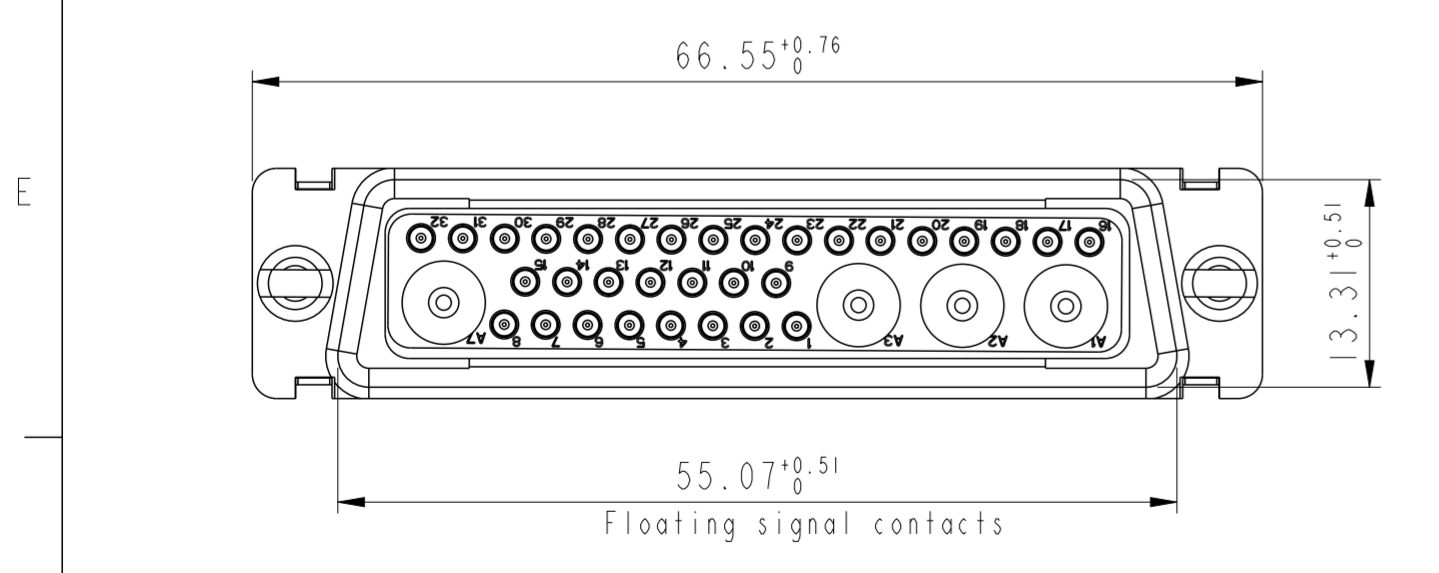
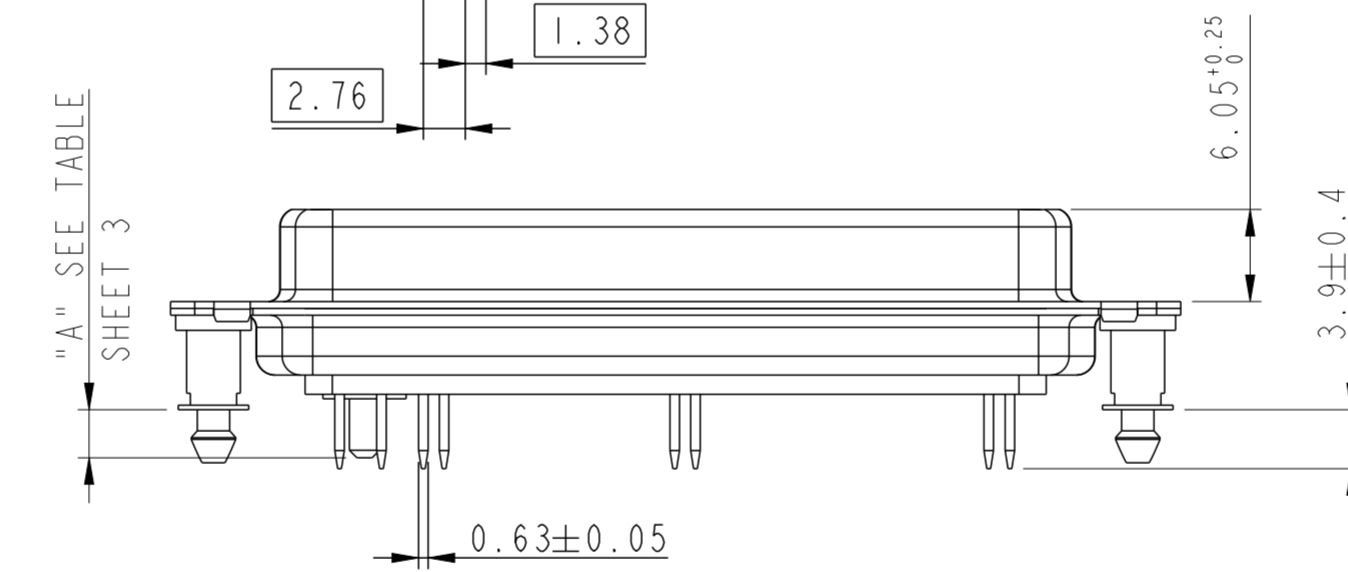
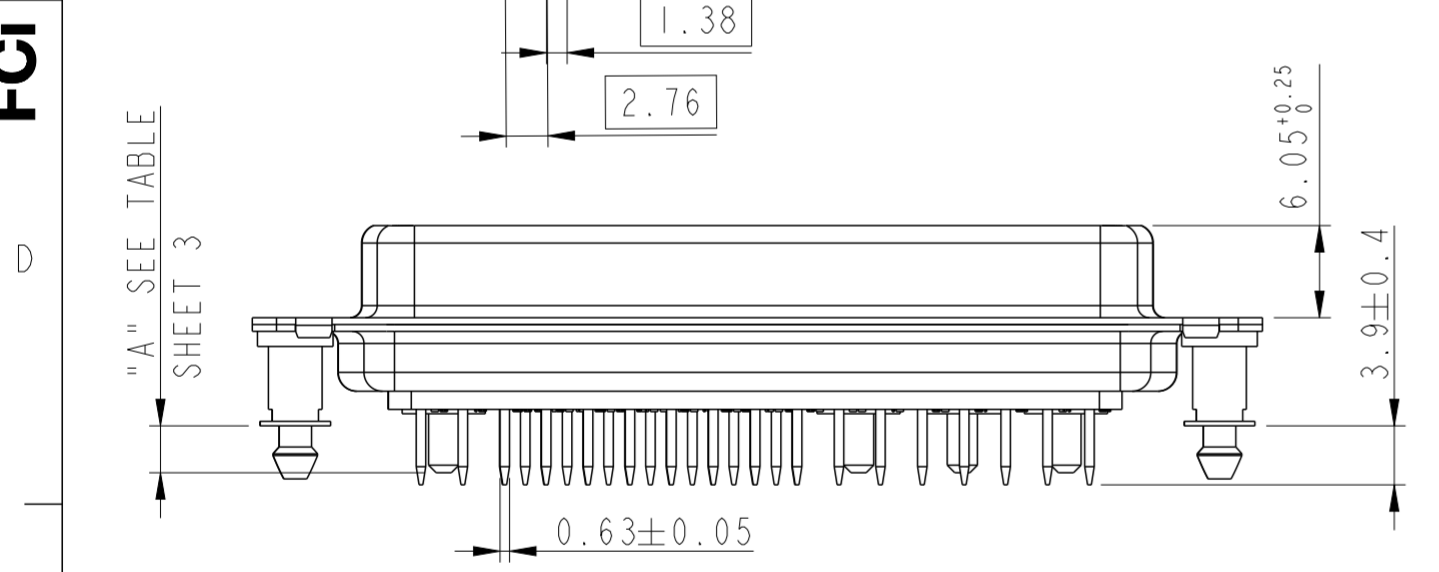
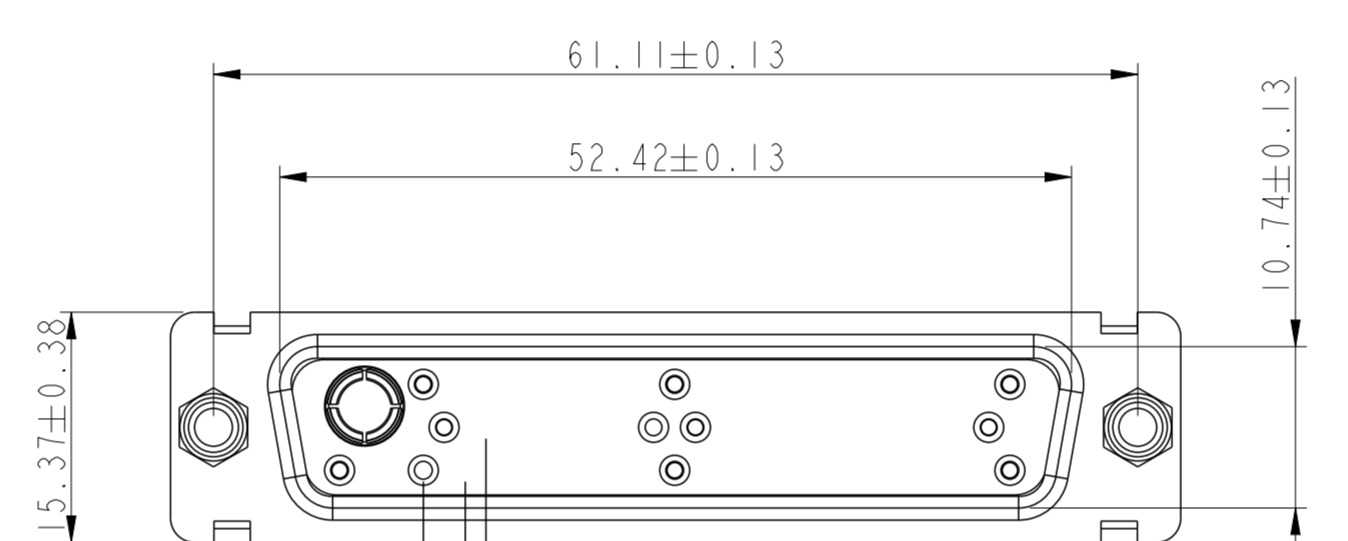
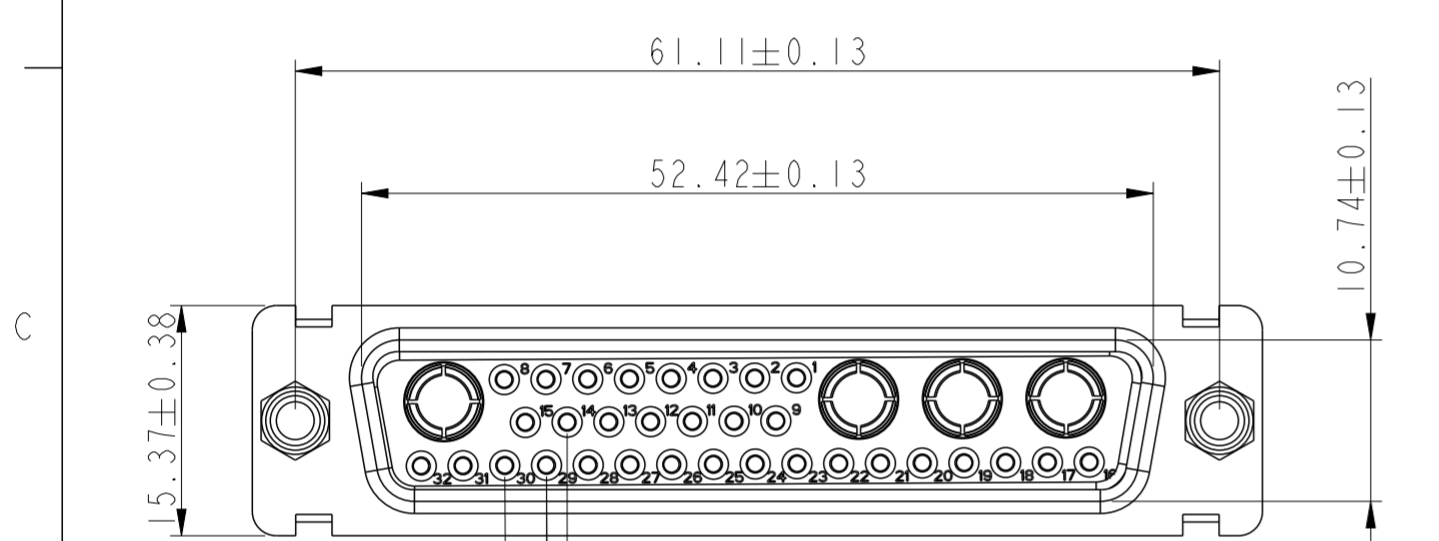
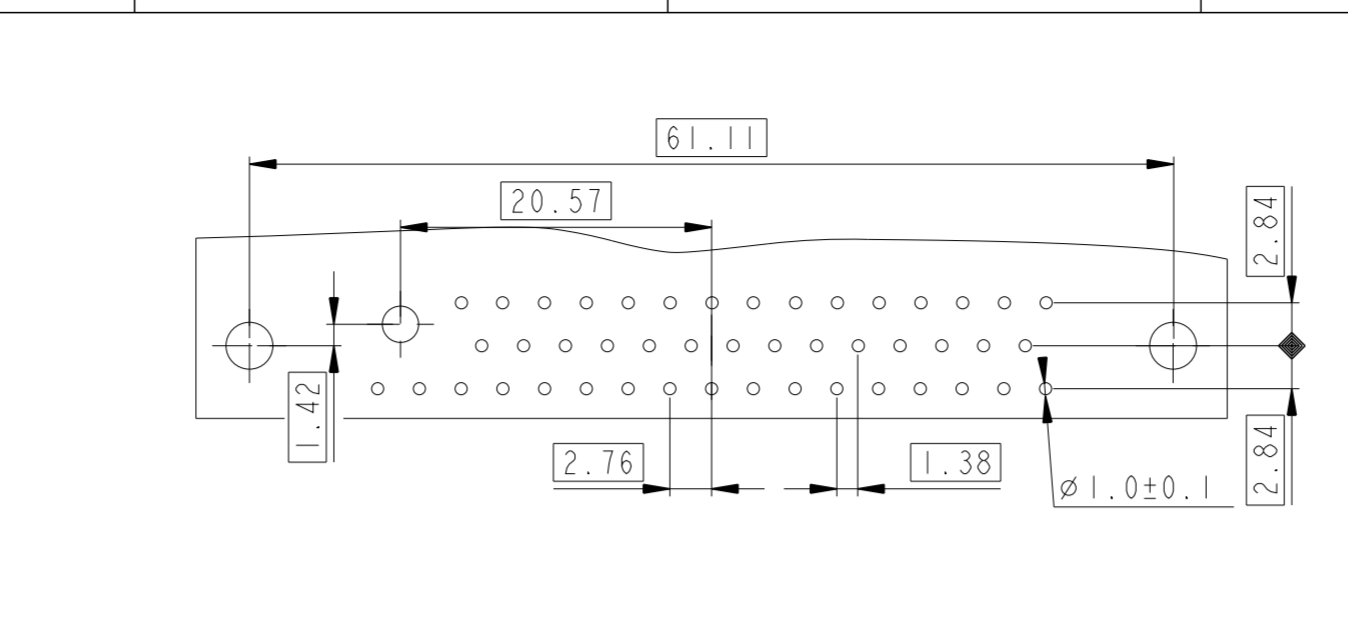
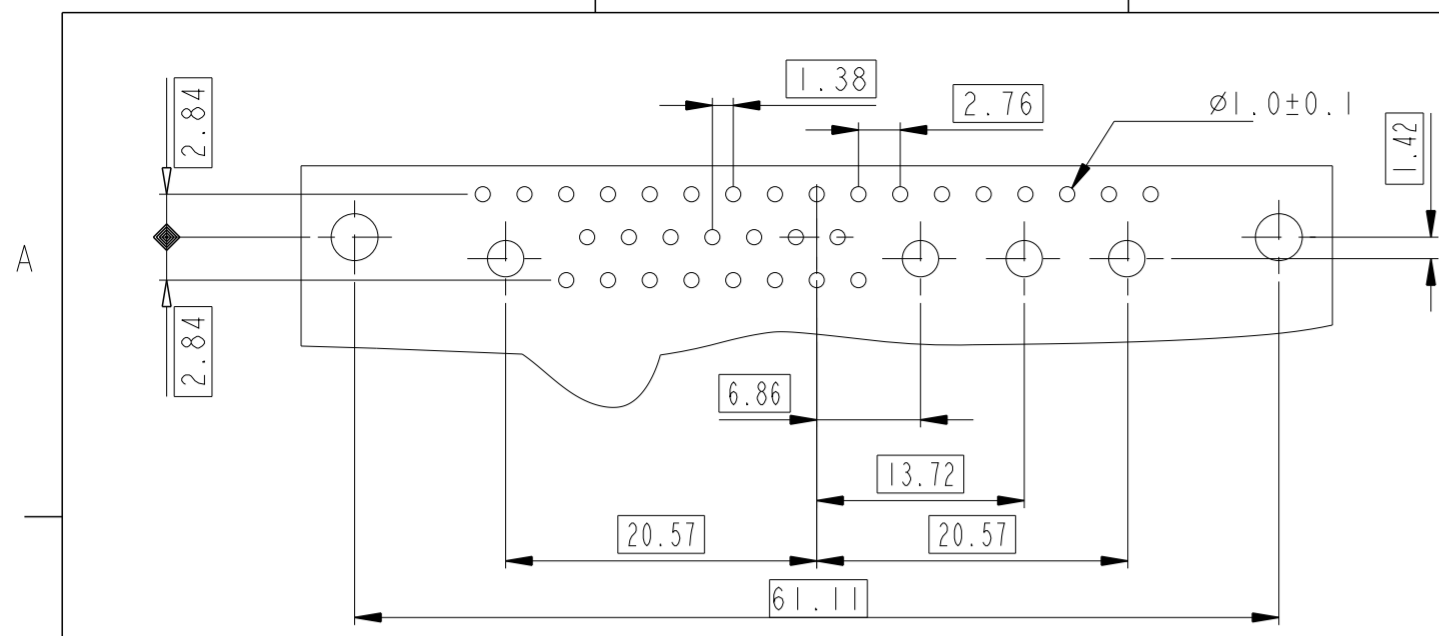
PDS: Rev :K

STATUS: Released

Printed: Nov 12, 2019

Amphenol
FCi

© 2016 AFci



spec ref	dr	1, Product Eng	2015/06/12	projection	MM	size	A2	scale	2:1
tolerance std	eng	Gregar Mathew	2019/11/11			ecn no	ELX-32909-1	rel level	Released
ISO 406 ISO 1101	chr	-	appr						
surface	linear	0.X	±0.30			title SUB FEMALE DW MIXED POWER STRAIGHT SOLDER		dwg no C01-8639-2302c	rev K
ISO 1302	angular	0°	±2°						