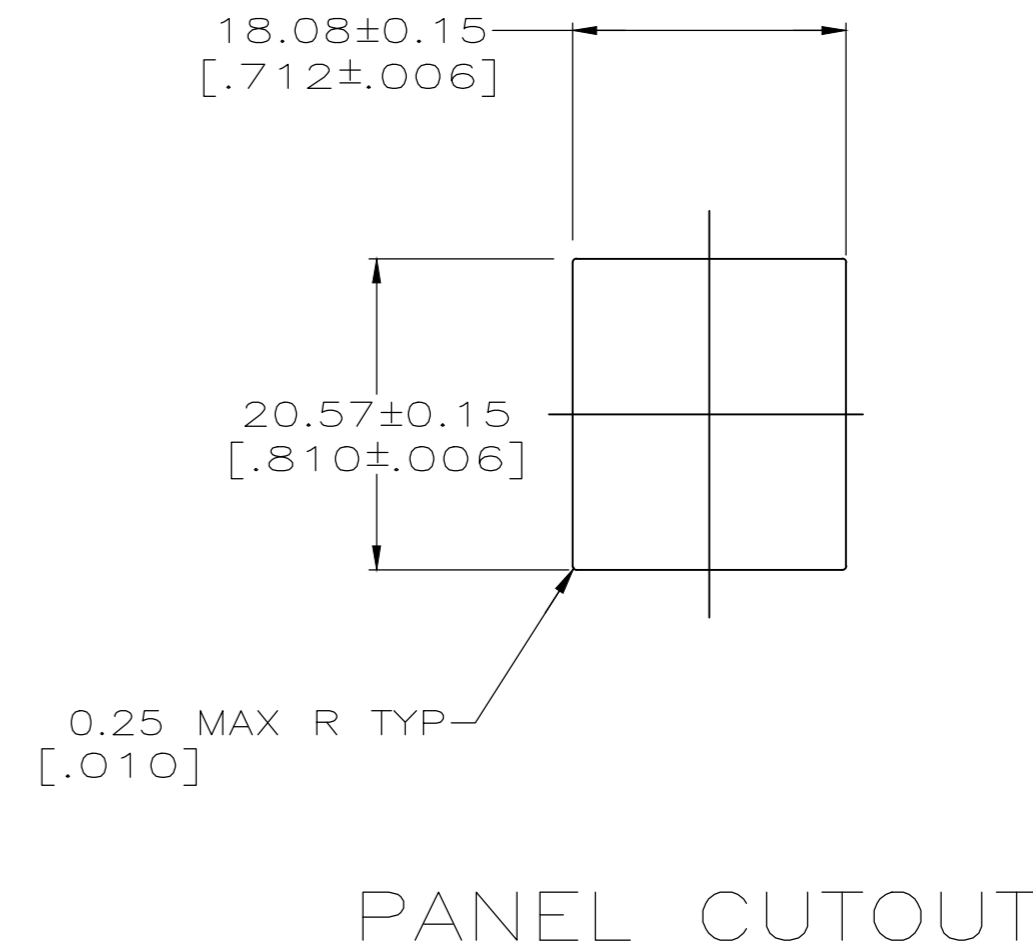
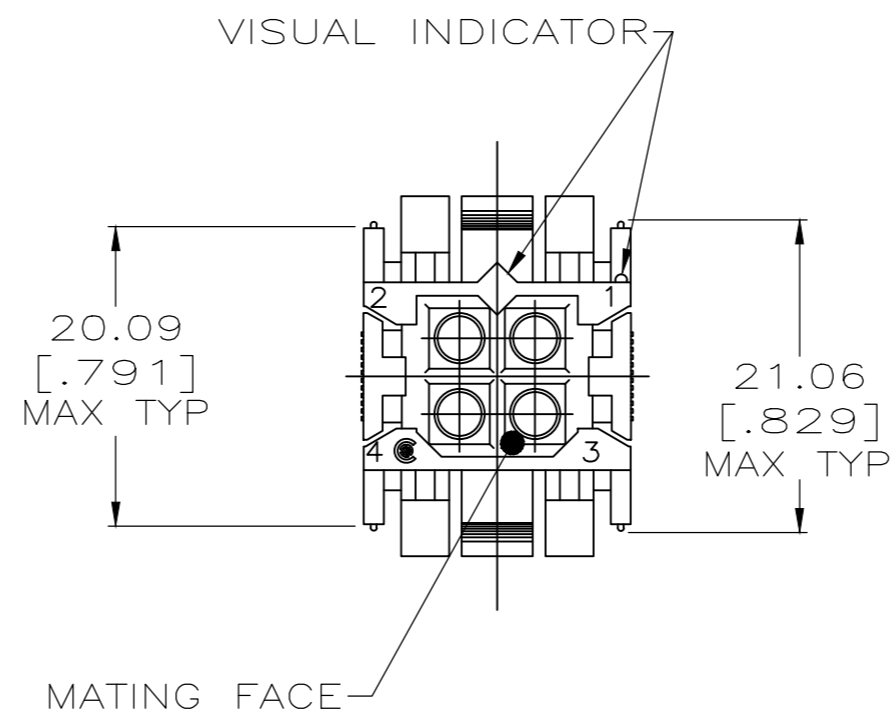
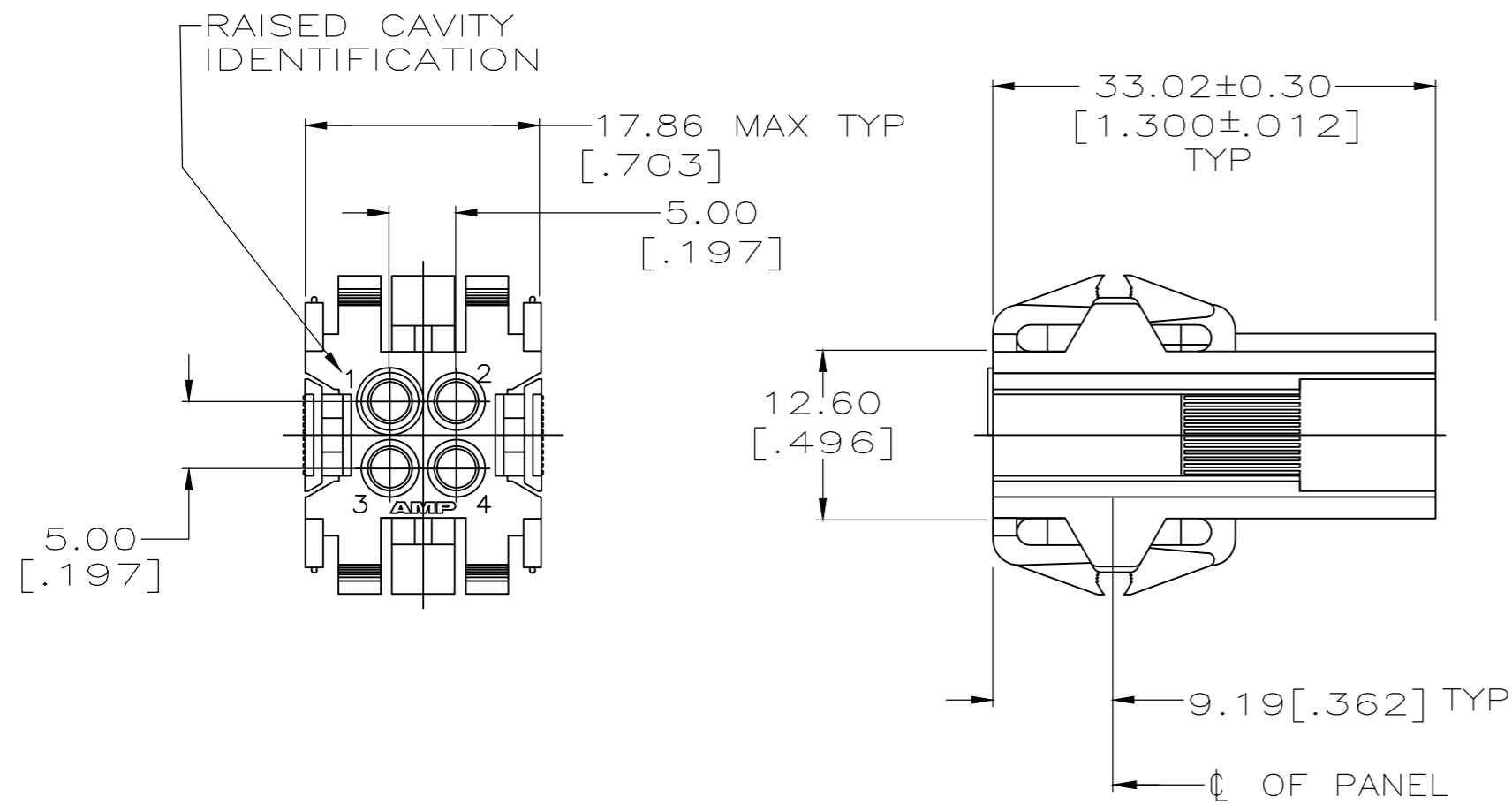


THIS DRAWING IS UNPUBLISHED. RELEASED FOR PUBLICATION
 © COPYRIGHT - By - ALL RIGHTS RESERVED.

REVISIONS					
P	LTR	DESCRIPTION	DATE	DWN	APVD
T		REVISED PER ECO-20-002227	19FEB2020	RK	MZ



- 1. PANEL RETENTION MECHANISM ACCOMMODATES PANEL THICKNESSES FROM 0.76[.030] TO 2.29[.090].
- 2 SAME AS 207016-1 EXCEPT: ROUNDED EDGES ON THE OUTSIDE OF THE HOUSING AND A 45° ANGLE ON THE OUTSIDE OF THE HOUSING BY THE LOCKING LATCHES, REF 928096.
- 3 OBSOLETE PARTS: OBSOLETE CIS STREAMLINING PER D.RENAUD/D.SINISI
- 4 HOUSING MATERIAL: PA66, BLACK, UL 94 V-0 RATED.

3 OBSOLETE	2 207016-2
	207016-1
PART NUMBER	

THIS DRAWING IS A CONTROLLED DOCUMENT.		DWN W.LENKER 08/26/92	STE TE Connectivity	
		CHK R.STONE 8-31-92		
DIMENSIONS: mm [INCHES]	TOLERANCES UNLESS OTHERWISE SPECIFIED:	APVD -	NAME	
	0 PLC ± -	PRODUCT SPEC	HOUSING, RECEPTACLE, 4 POSITION, METRIMATE	
	1 PLC ± -	APPLICATION SPEC	-	
	2 PLC ± 0.25 [.010]		SIZE	CAGE CODE
	3 PLC ± -		A2	00779
	4 PLC ± -		DRAWING NO	RESTRICTED TO
	ANGLES ± -	WEIGHT	C=207016	-
MATERIAL	FINISH	CUSTOMER DRAWING	SCALE	SHEET
4	-		2:1	1 of 1
			REV	T